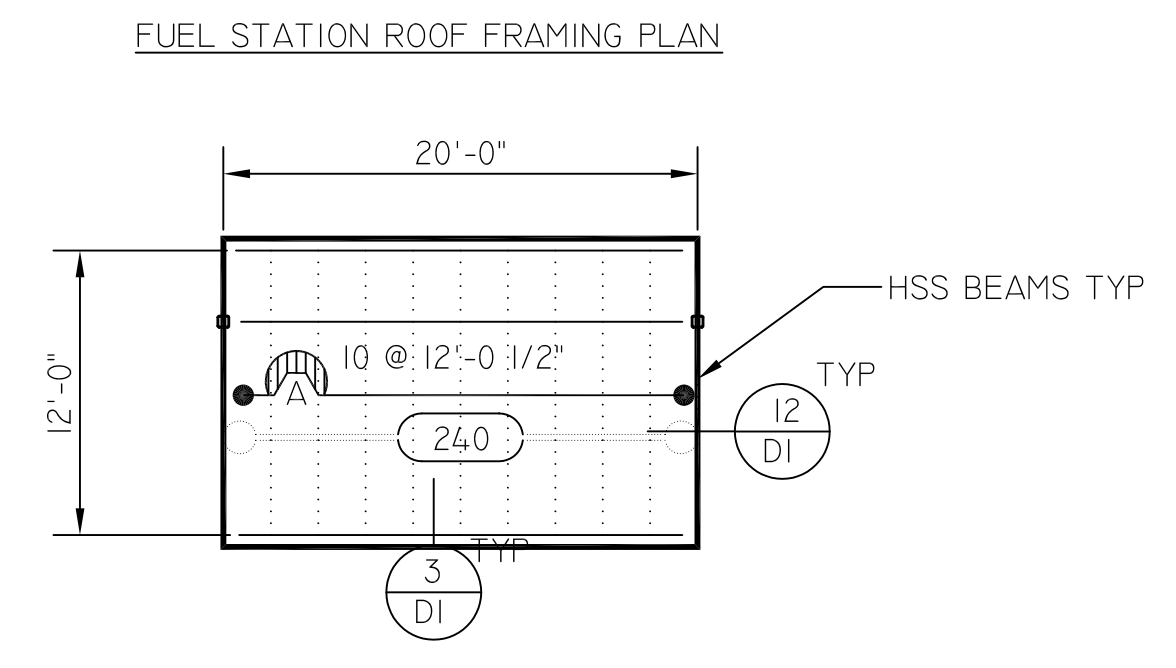
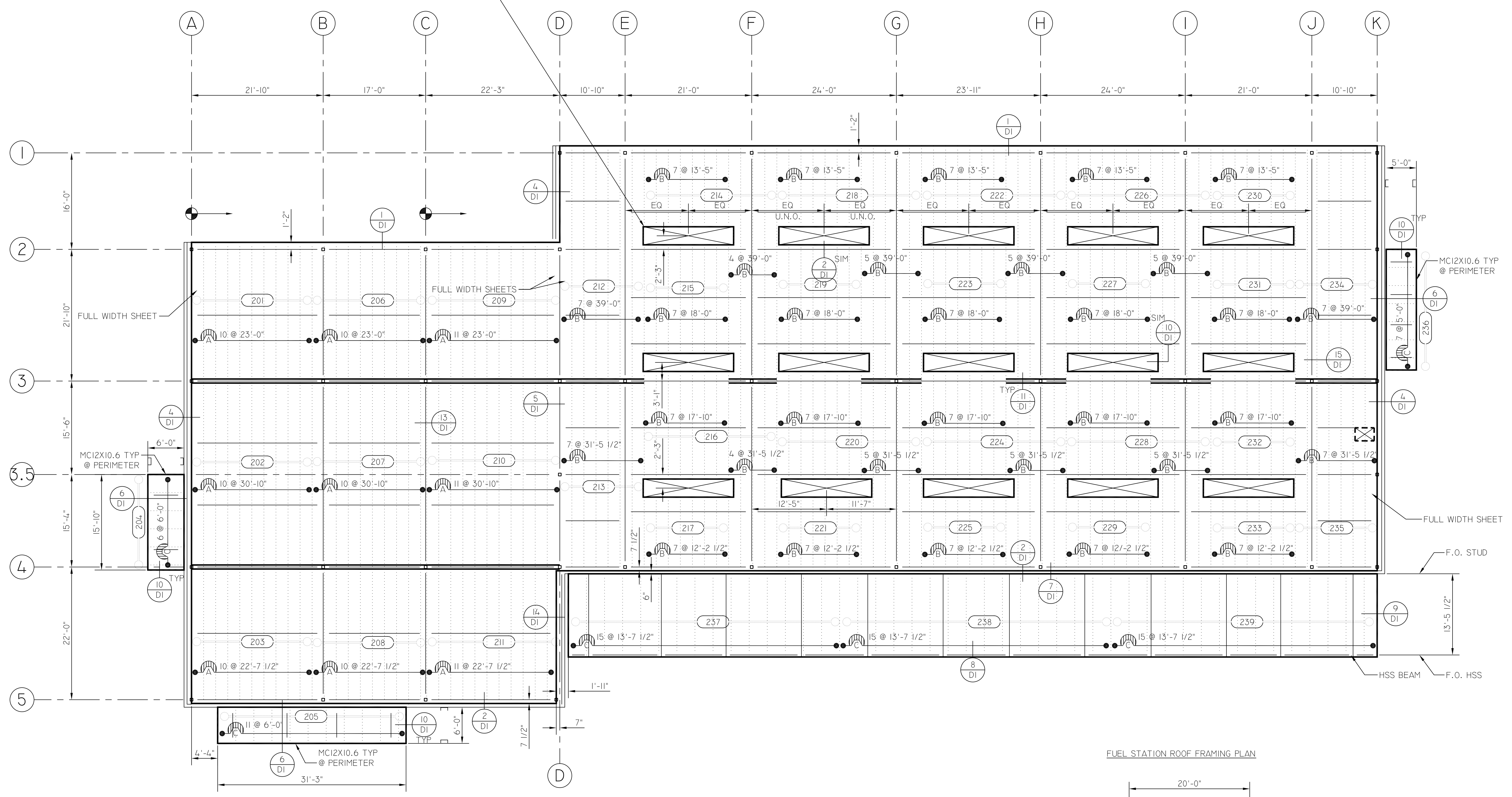


| | |
|----------|------|
| REV. NO. | DATE |
| | |
| | |
| | |
| | |

FOREMAN NOTE:
SKYLIGHT OPENINGS
ARE 3'-0" x 15'-0"



| | | | | | | | | | | |
|--------------------------|-------|------|--------|----|-----|----|-------|-----|-----|----|
| TITLE: ROOF FRAMING PLAN | | | | | | | | | | |
| VIEW | NORTH | | | | | | | | | |
| REFERENCE DOCUMENTS: | S2.2 | A5.0 | | | | | | | | |
| DECK TYPE IDENT | N-24 | N-24 | HSB-36 | 18 | G60 | NO | VERCO | N/A | N/A | NO |
| PROFILE | | | | | | | | | | |
| DECK GA. | | | | | | | | | | |
| GALV. | | | | | | | | | | |
| VENTED | | | | | | | | | | |
| MANUF. | | | | | | | | | | |
| TOTAL S.A.B.I. | | | | | | | | | | |
| FULLTYPE | | | | | | | | | | |
| ACCOUSTICAL | | | | | | | | | | |
| LAP DIST. | | | | | | | | | | |
| PRIME FIN. | | | | | | | | | | |
| EXPOSED | | | | | | | | | | |

FACILITY MAINTENANCE CENTER-CANADA COLLEGE
 ROOF FRAMING PLAN

B.T. MANCINI CO., INC.
 478 S. MERRILL BLVD., MERRILL, CA (909) 942-7900

TITLE: FACILITY MAINT. CTR.-CANADA COLLEGE
 JOB ADDRESS: 4200 FARM HILL BLVD., REDWOOD CITY, CA 94061
 CONTRACTOR: JOHN PLANE CONSTRUCTION INC.
 JOB NO.: 04-2553 SCALE: NONE
 DRAWN BY: CHRIS HOLLAND DATE: 21 FEB 08
 CHECKED BY: P.C./K.A. DATE: XX XXX 08
 SUBMITTED: DATE: _____
 APPROVED: DATE: _____
 SHEET: _____