

KEY NOTES

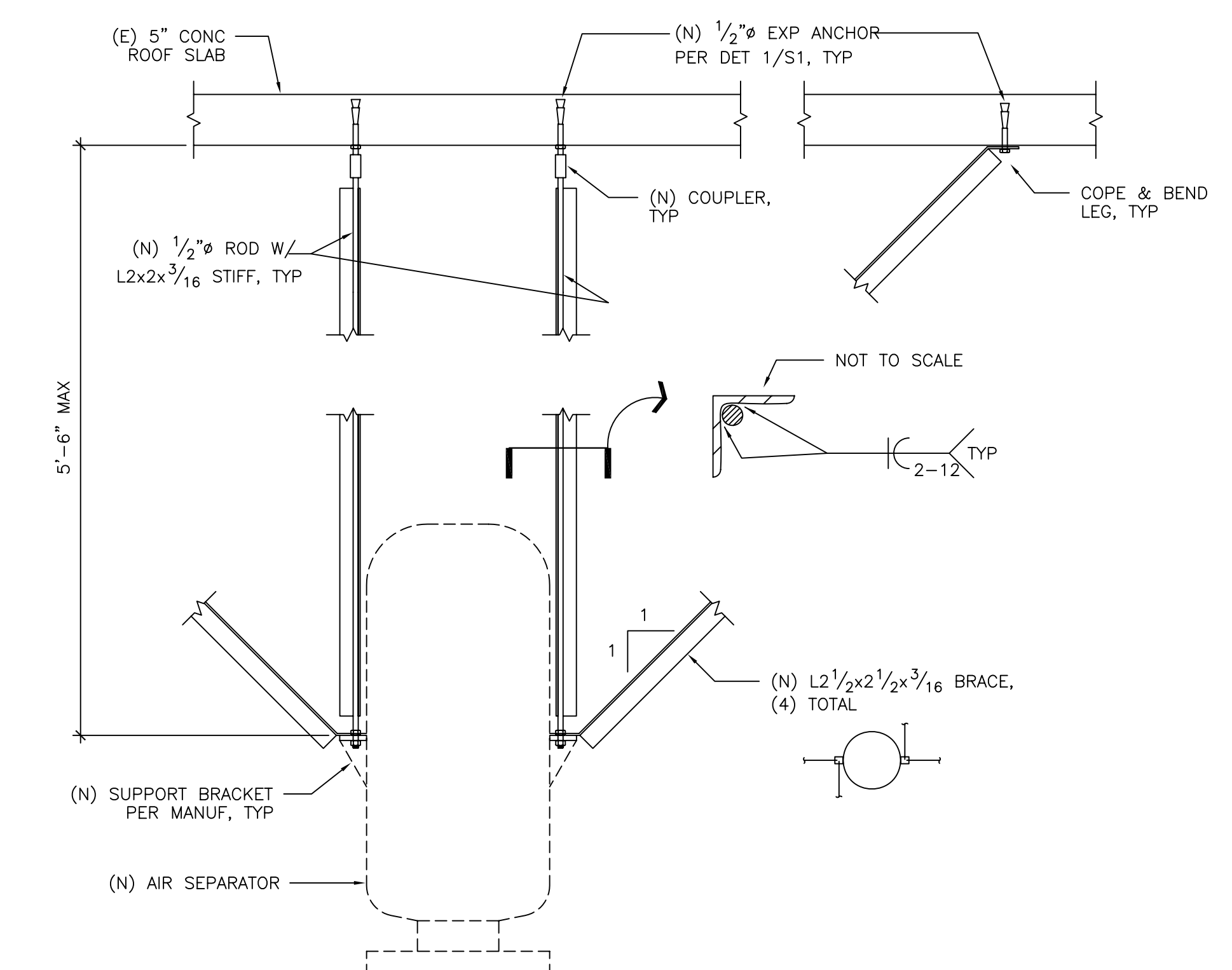
XXXX

REV	DATE	BY	DESCRIPTION

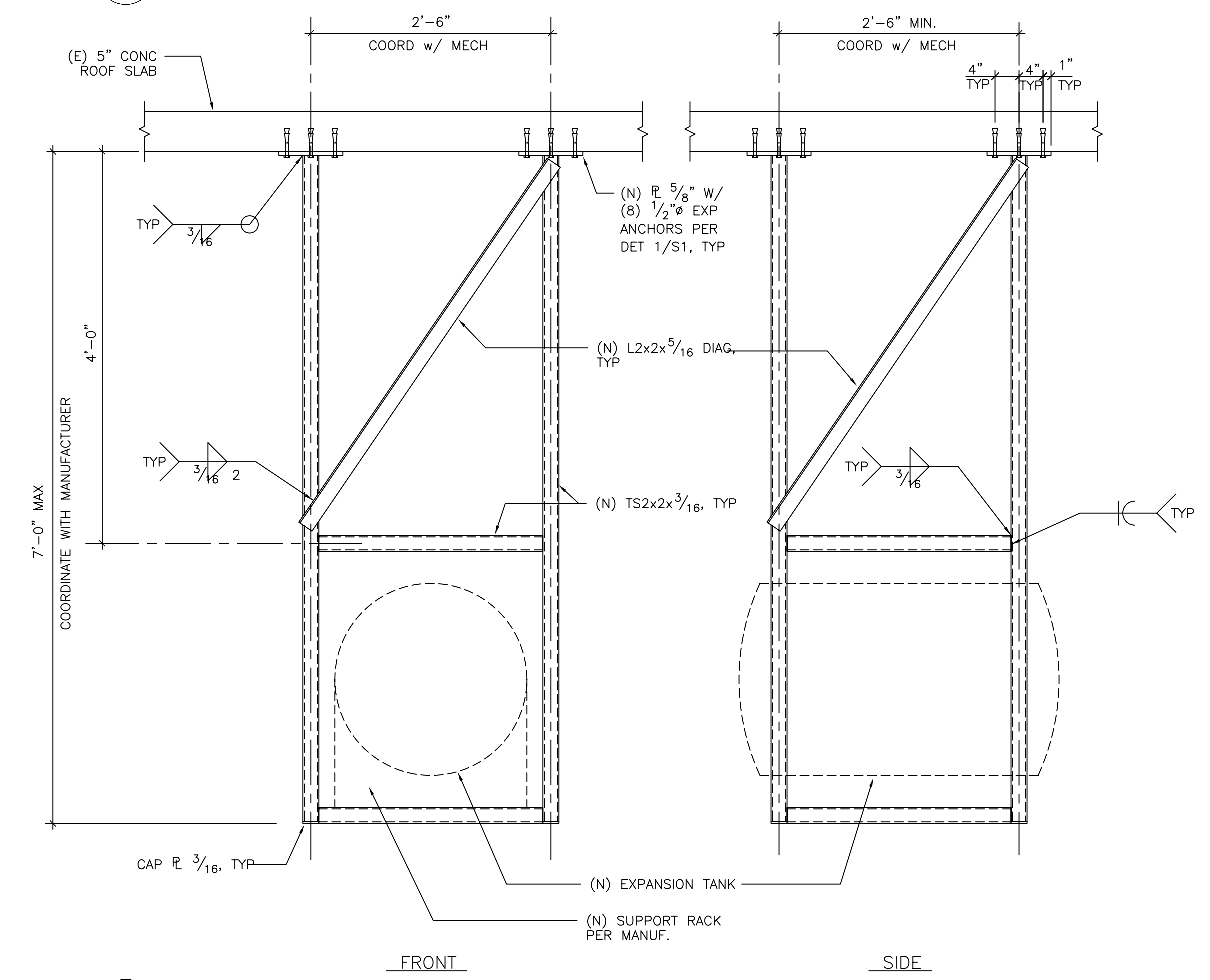
DETAILS

SCALE	AS SHOWN
PROJECT NO.	04321.00
DESIGNED BY	JSS
DRAWN BY	FF
CHECKED BY	AI
DATE	6/3/2005
LAYOUT TAB	
PREP (CONT)	
PREP (CONT)	
FILE NAME	

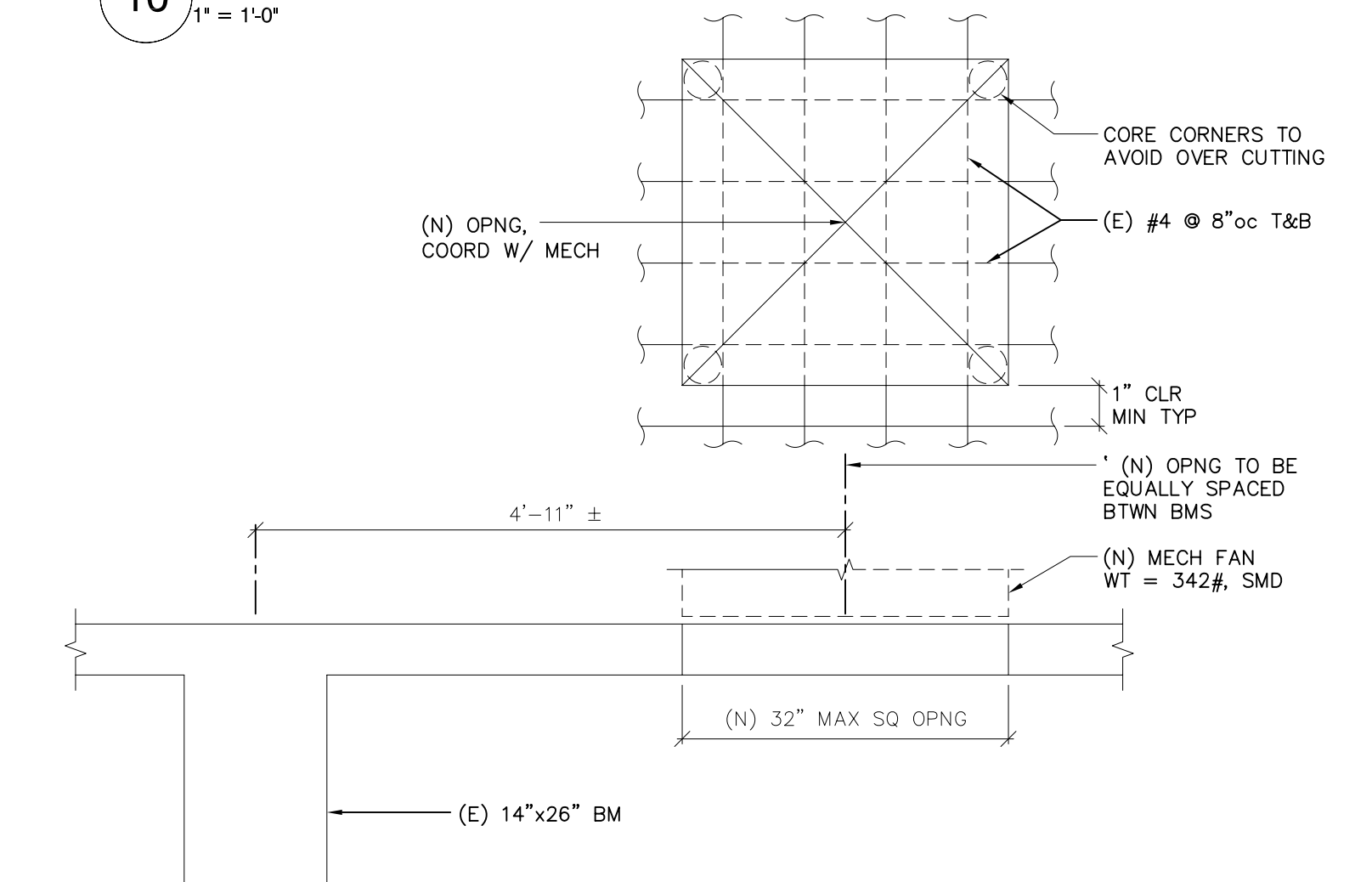
S4



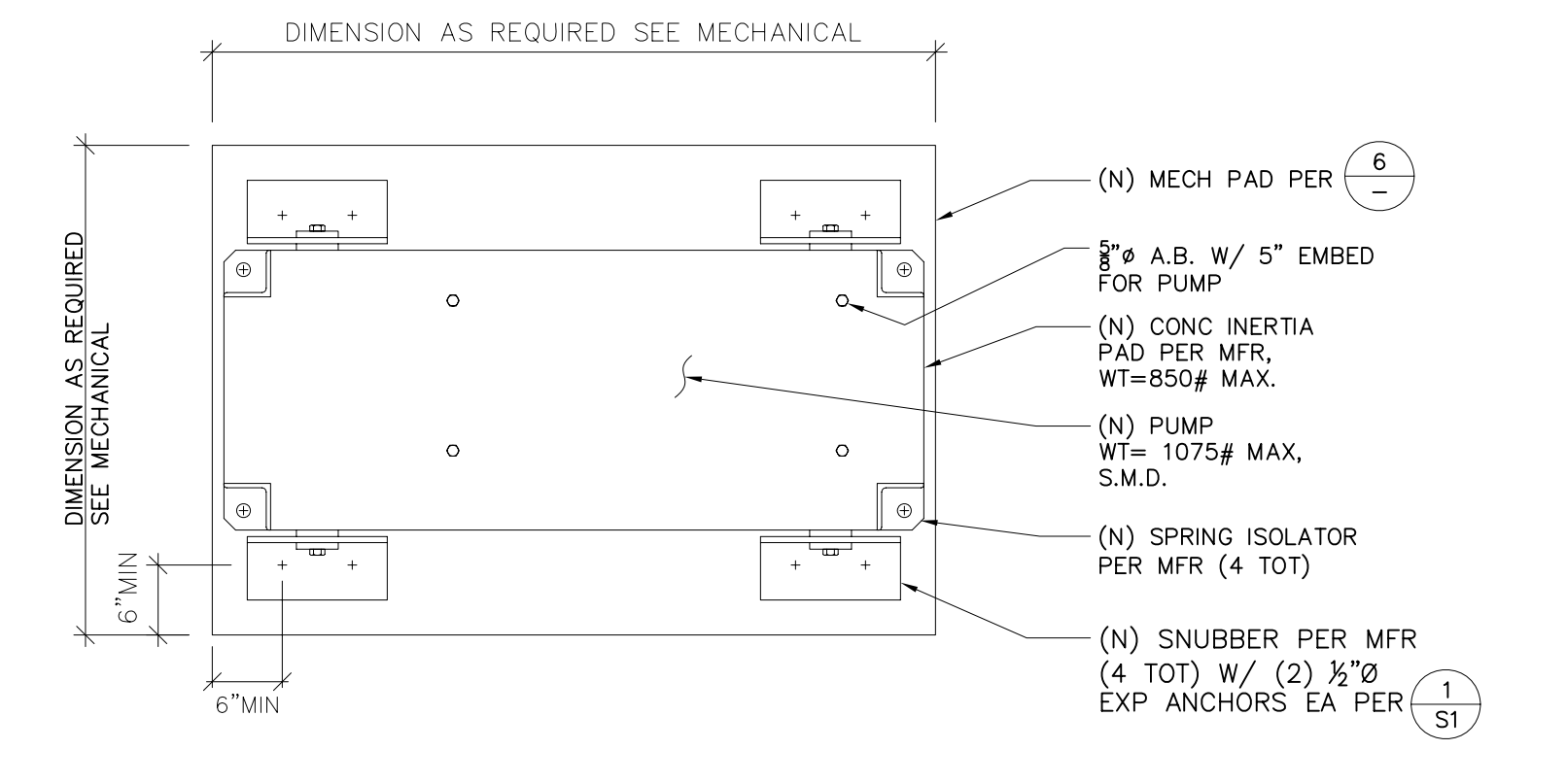
**9 AIR SEPARATOR DETAIL**  
1" = 1'-0"



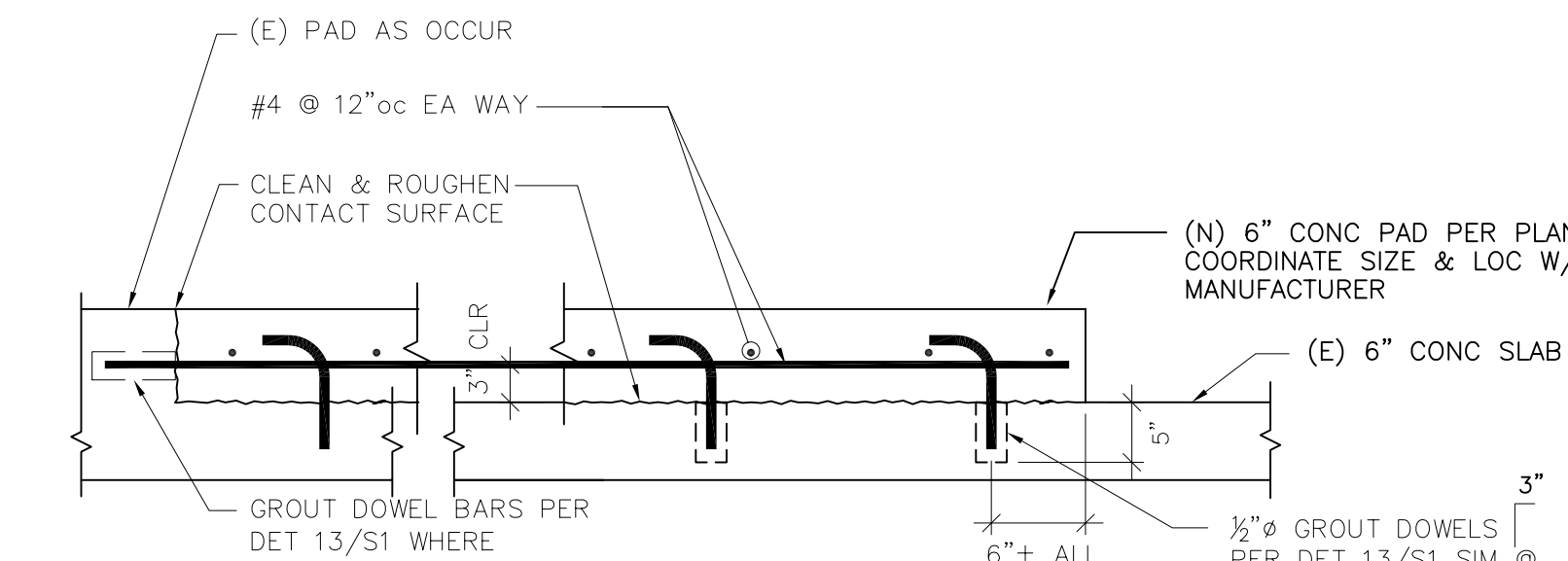
**10 EXPANSION TANK DETAIL**  
1" = 1'-0"



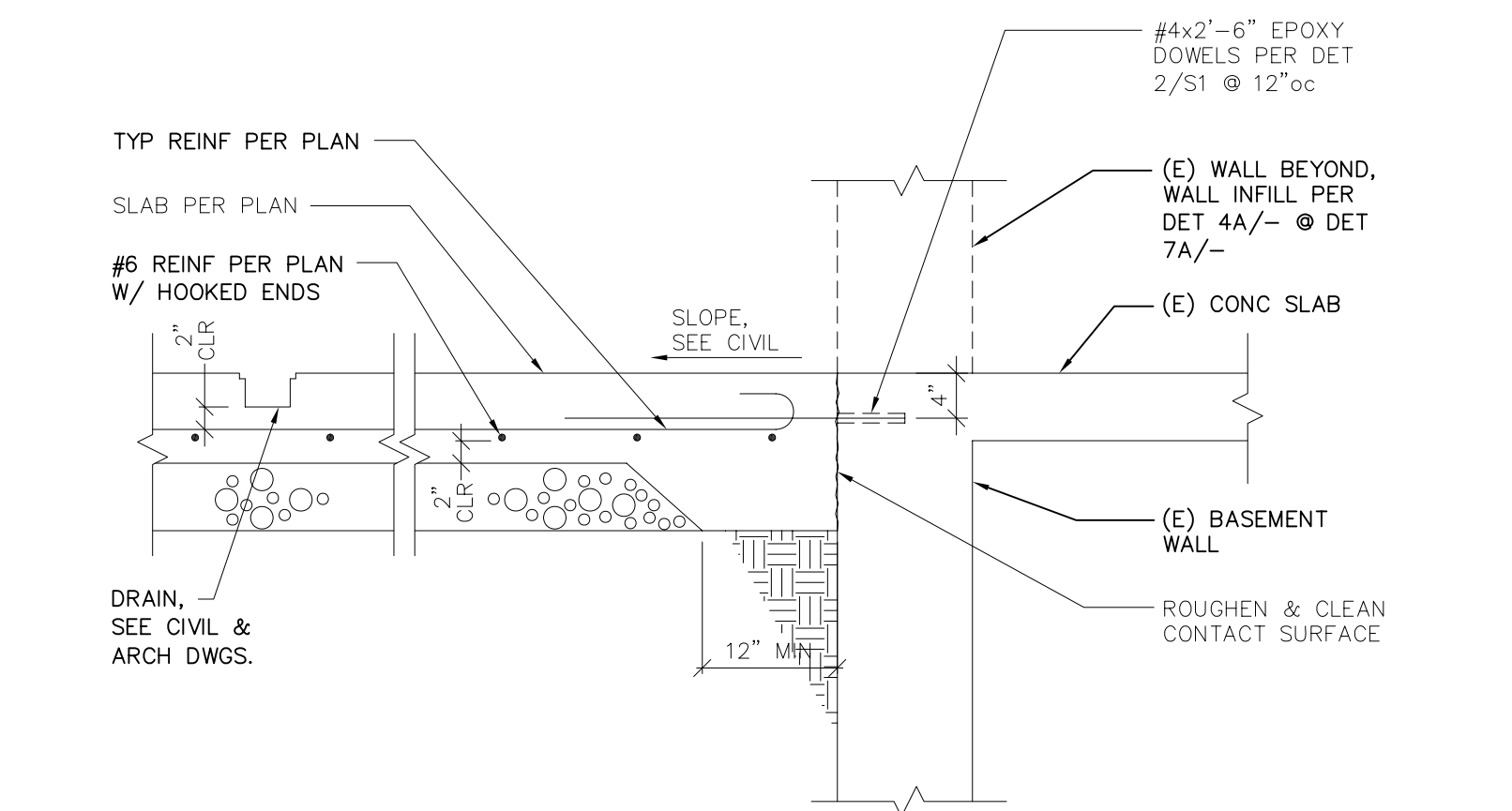
**11 (N) MECHANICAL FAN AT (E) ROOF SLAB**  
3/4" = 1'-0"



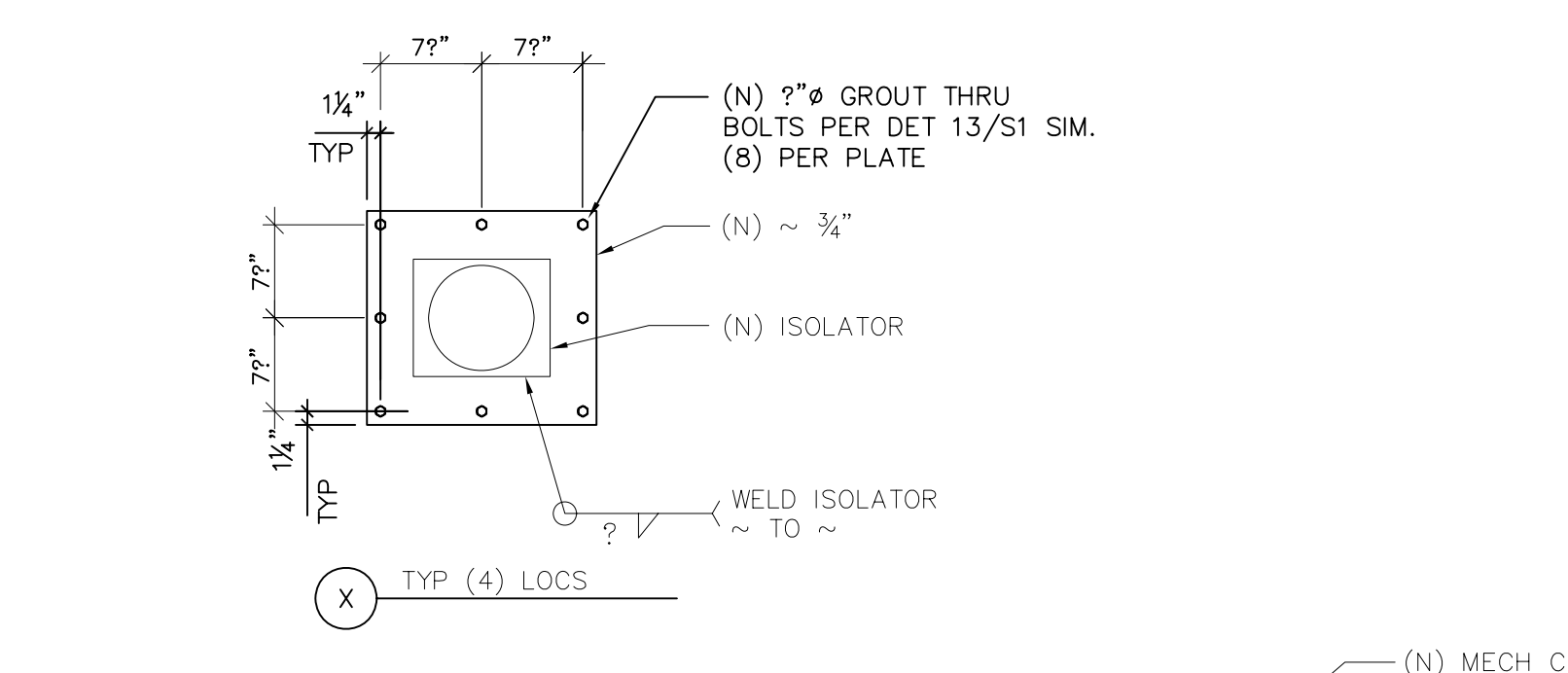
**5 PLAN - PUMP SUPPORT PAD**  
3/4" = 1'-0"



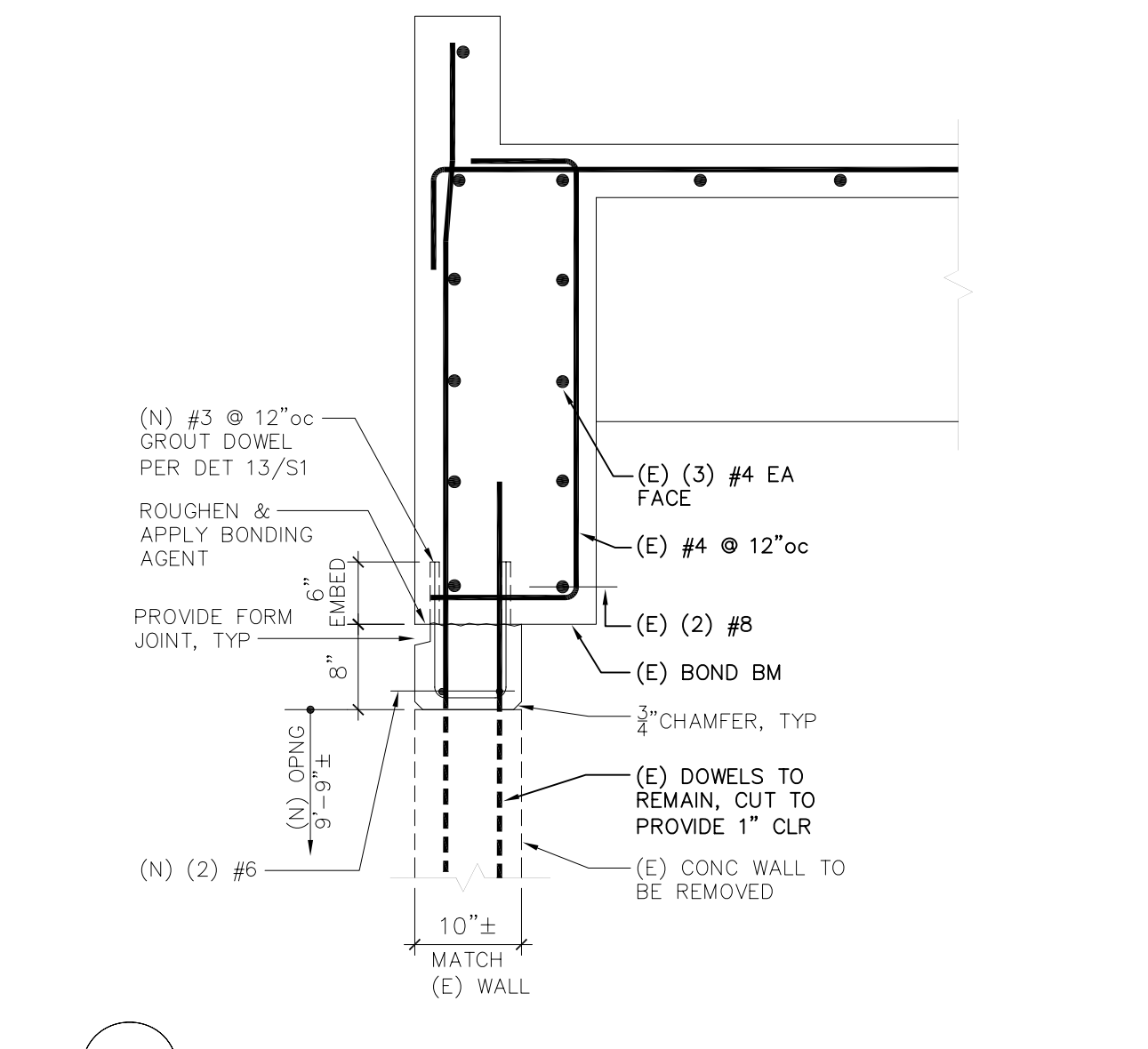
**6 MECHANICAL PAD DETAIL**  
1" = 1'-0"



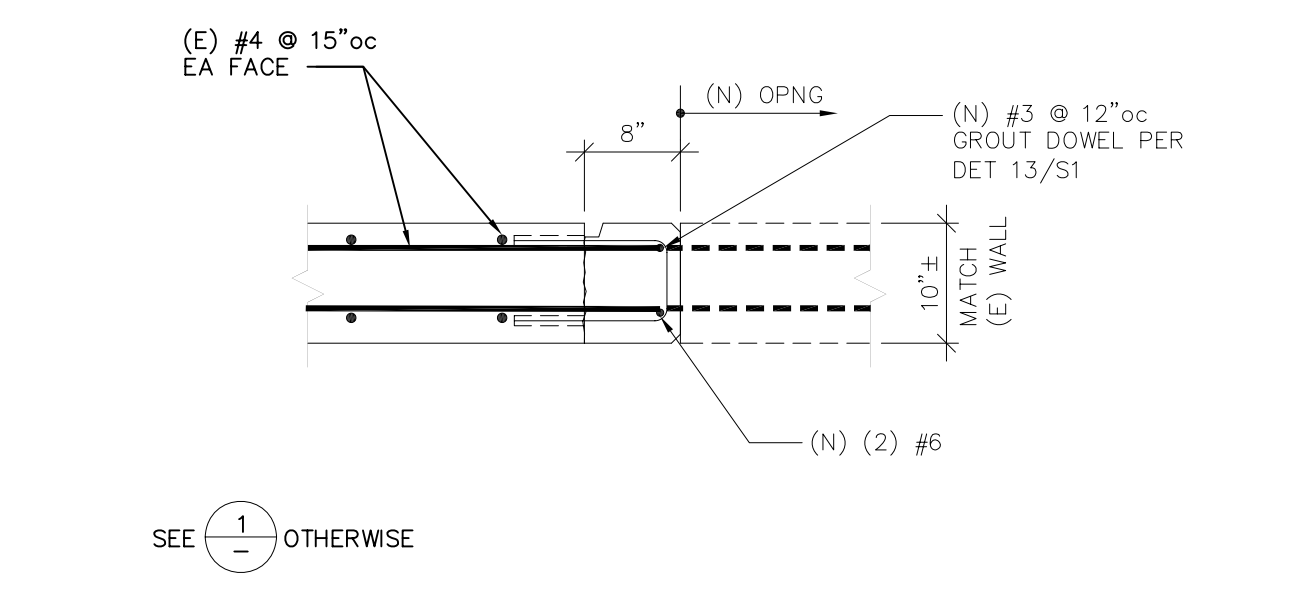
**7 7A**  
3/4" = 1'-0"



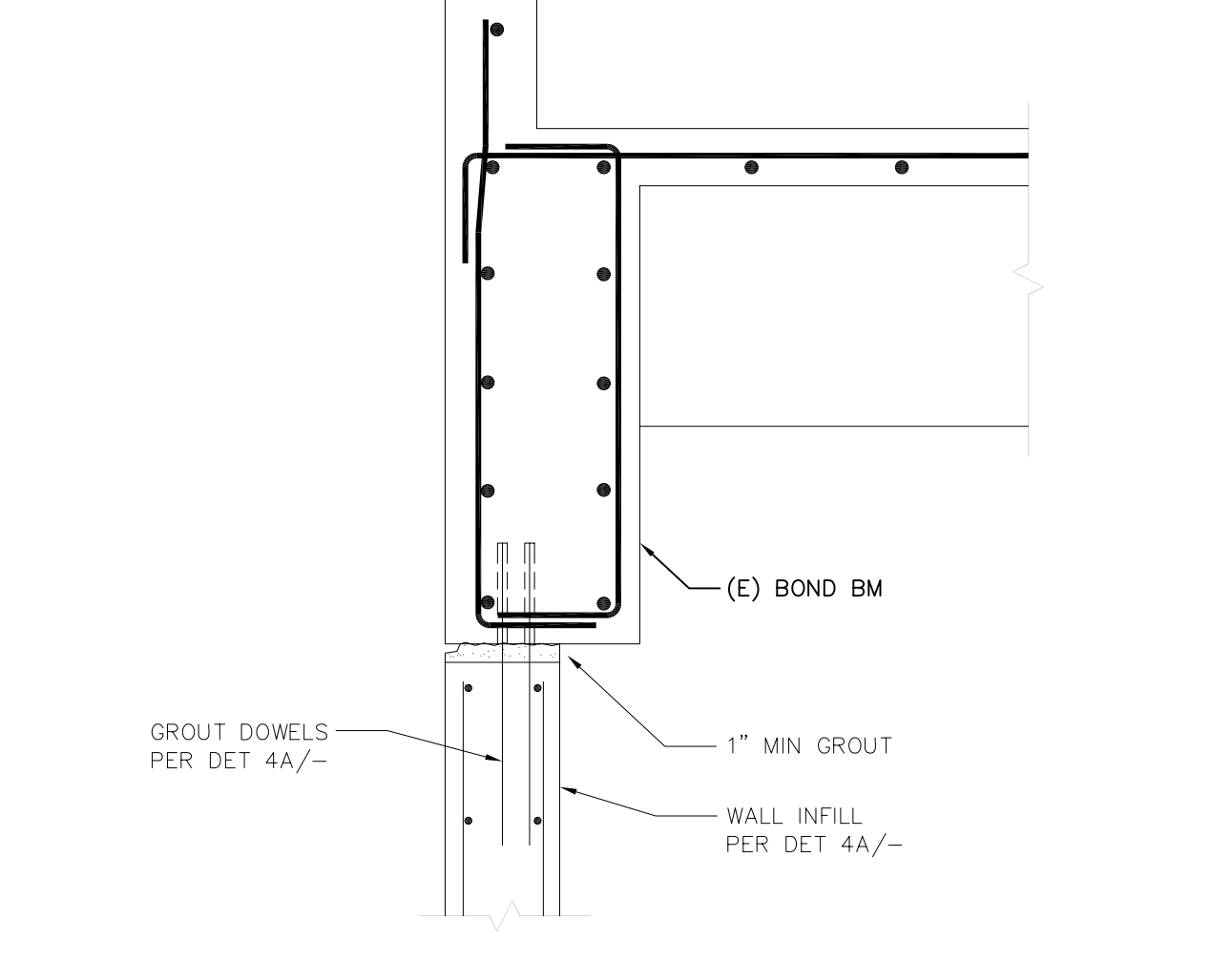
**8 (N) CHILLER DETAIL - SECTION**  
1" = 1'-0"



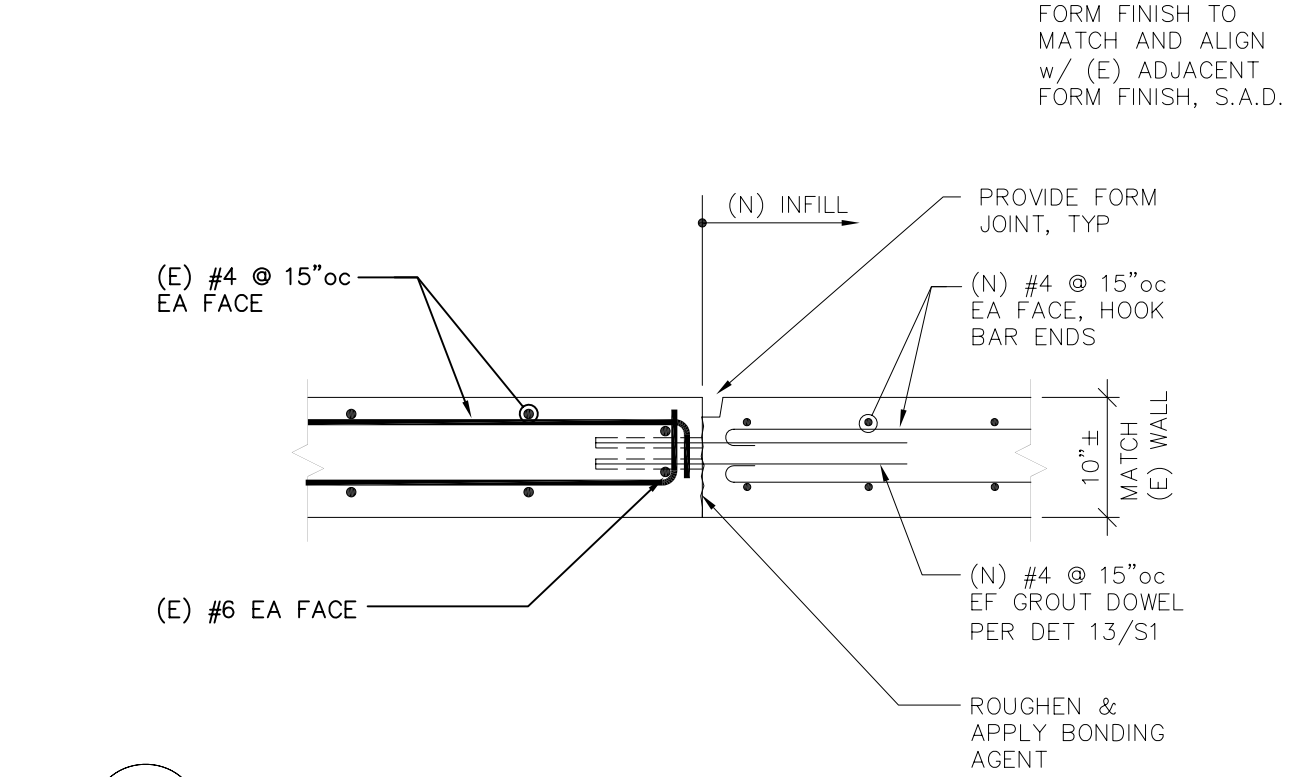
**1**  
3/4" = 1'-0"



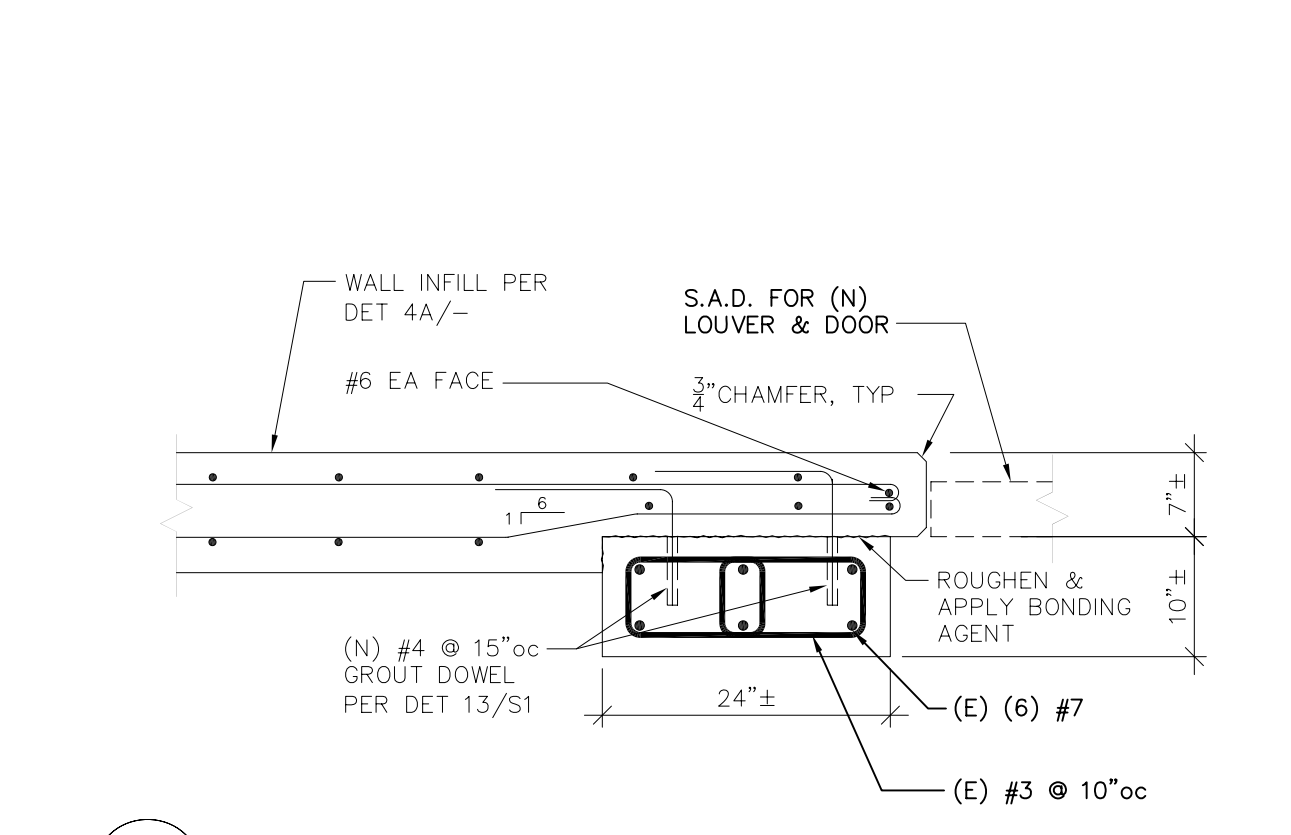
**2**  
3/4" = 1'-0"



**3**  
3/4" = 1'-0"

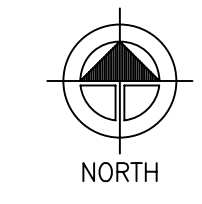


**4A**  
3/4" = 1'-0"



**4B**  
3/4" = 1'-0"

AS BUILT



DWG TITLE