

SECURITY DOOR SCHEDULE					
SHEET NUMBER	FLOOR	DOOR NUMBER	DETAIL SHEET	SECURITY CONFIGURATION	COMMENTS
SY2.01	LEVEL 1	30A	SY5.01/1	CARD READER W/KEYPAD, MAGNETIC DOOR CONTACTS, REX	-
SY2.01	LEVEL 1	30B	SY5.01/1	CARD READER, MAGNETIC DOOR CONTACTS, REX	-

SECURITY CAMERA SCHEDULE			
CAMERA SYMBOL	DESCRIPTION	DETAIL SHEET	COMMENTS
360-4	IP 360° EXTERIOR CAMERA - WALL MOUNT	SY501/4	MOUNT CAMERA AT 12' AFF

SHEET NOTES

- HOME RUN SECURITY DEVICE CABLING TO SECURITY EQUIPMENT HUB.
- PROVIDE CONDUIT FROM EACH FIELD DEVICE TO SECURITY EQUIPMENT HUB. FIELD DETERMINE CONDUIT ROUTES.

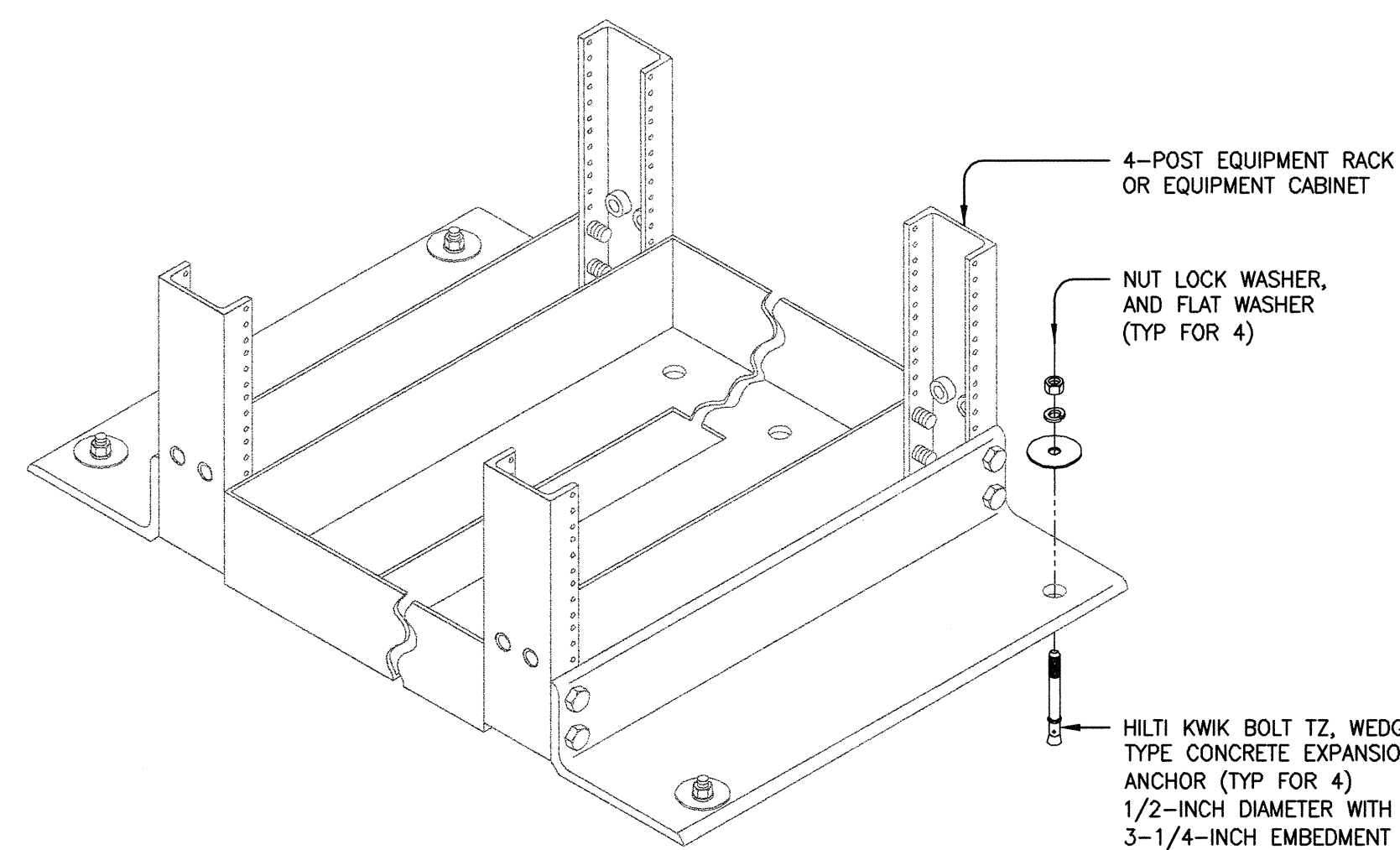
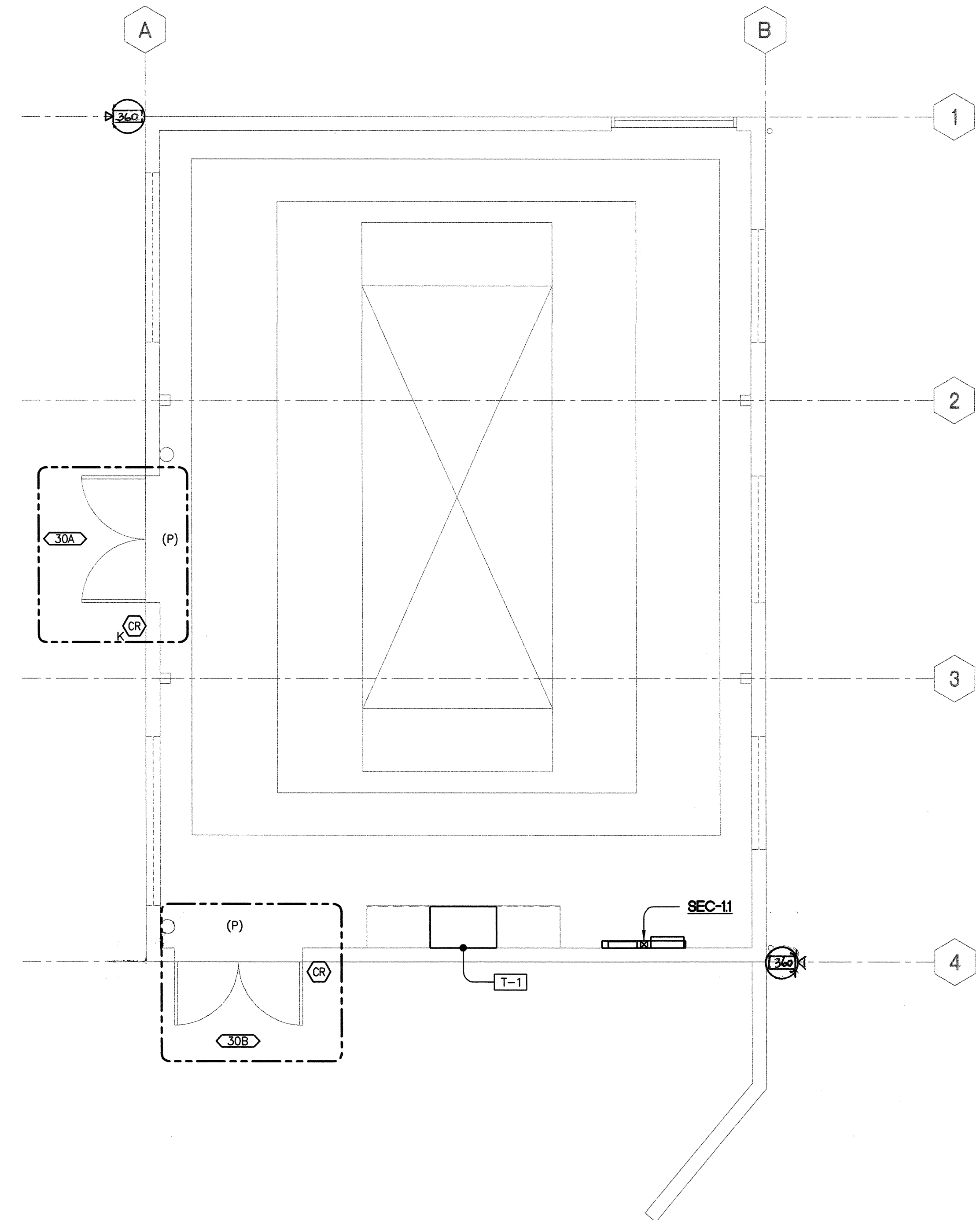
NUMBERED NOTES

TELECOMMUNICATIONS:

[T-1] TELECOMMUNICATIONS EQUIPMENT CABINET, REFER TO SPECIFICATION SECTION 271513 FOR REQUIREMENTS. REFER TO 2/SY2.01 FOR ANCHORING DETAILS AND STRUCTURAL CALCULATION PAGE E-1 FOR CALCULATIONS.

REVISIONS		
NO.	DATE	DESCRIPTION

DATE: January 14, 2011
DRAWN: KCM
CHECKED: APA
SCALE: 1/4" = 1'-0"
JOB NO.: 2921.01



NOTE: 1. REFER TO SPECIFICATIONS FOR EQUIPMENT RACK TYPE AND SIZE.

EQUIPMENT CABINET ANCHORING
SCALE: NONE

2

FLOOR PLAN - BUILDING 30
SCALE: 1/4"=1'-0"

1

