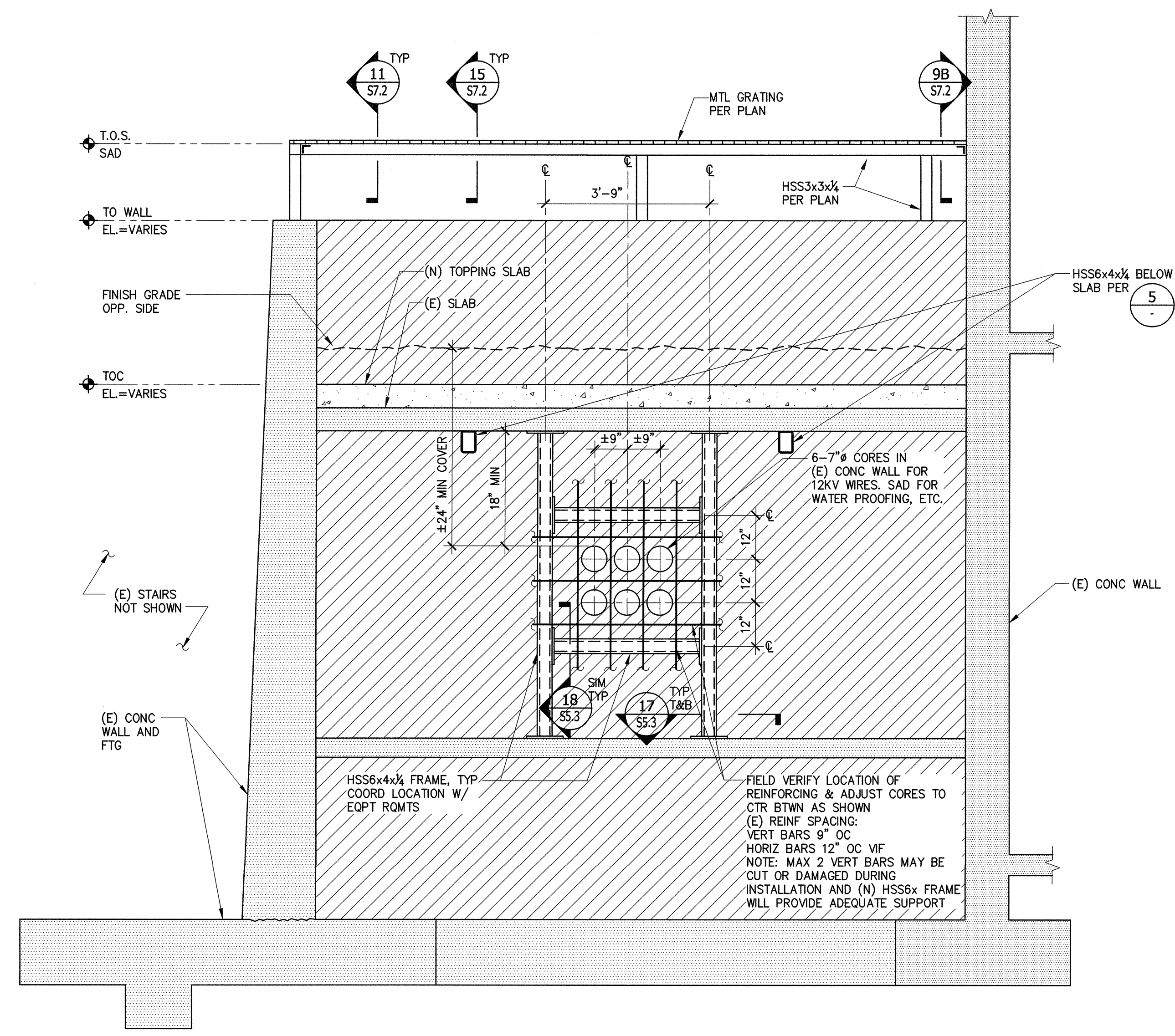
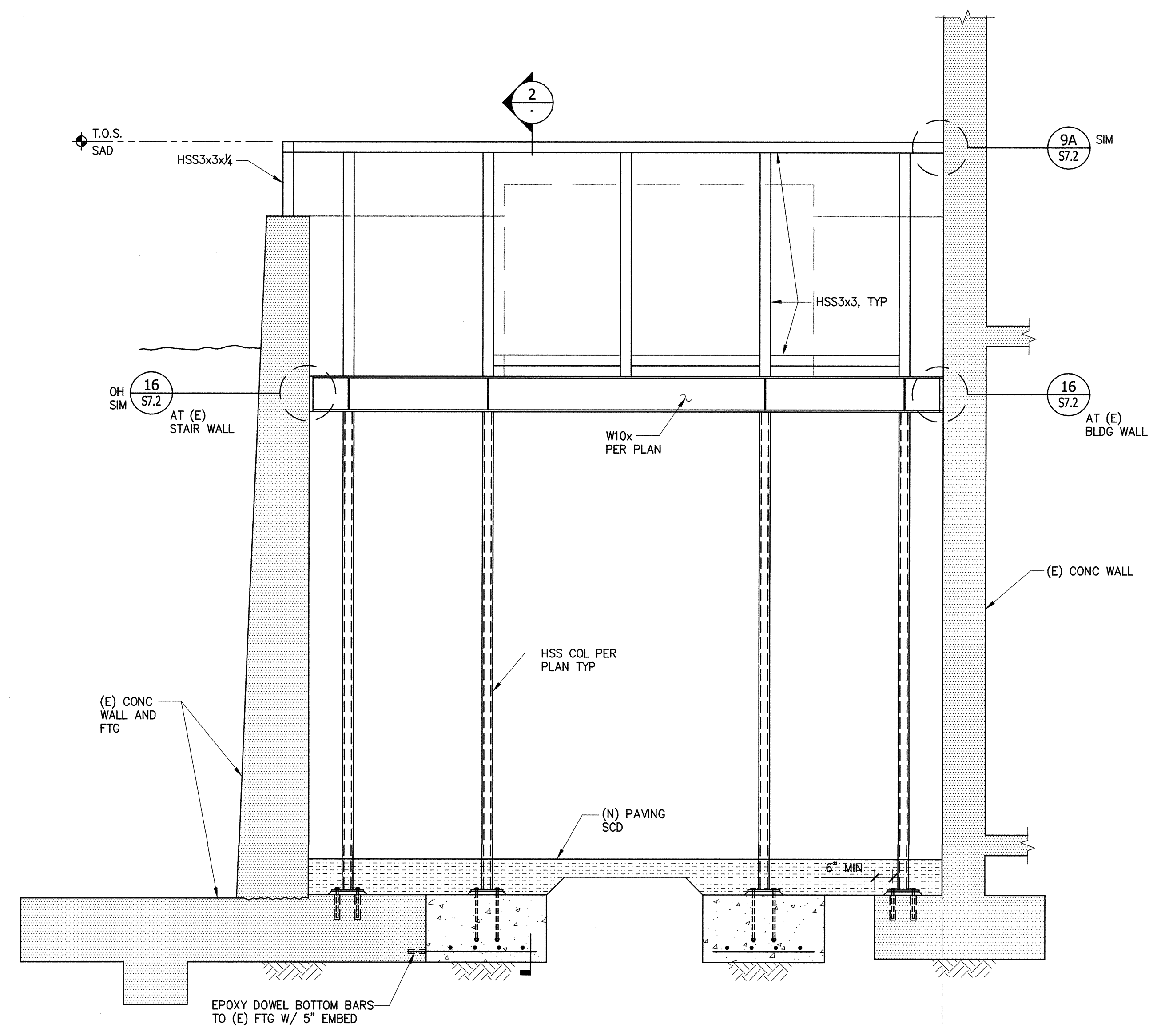


NO.	DATE	DESCRIPTION

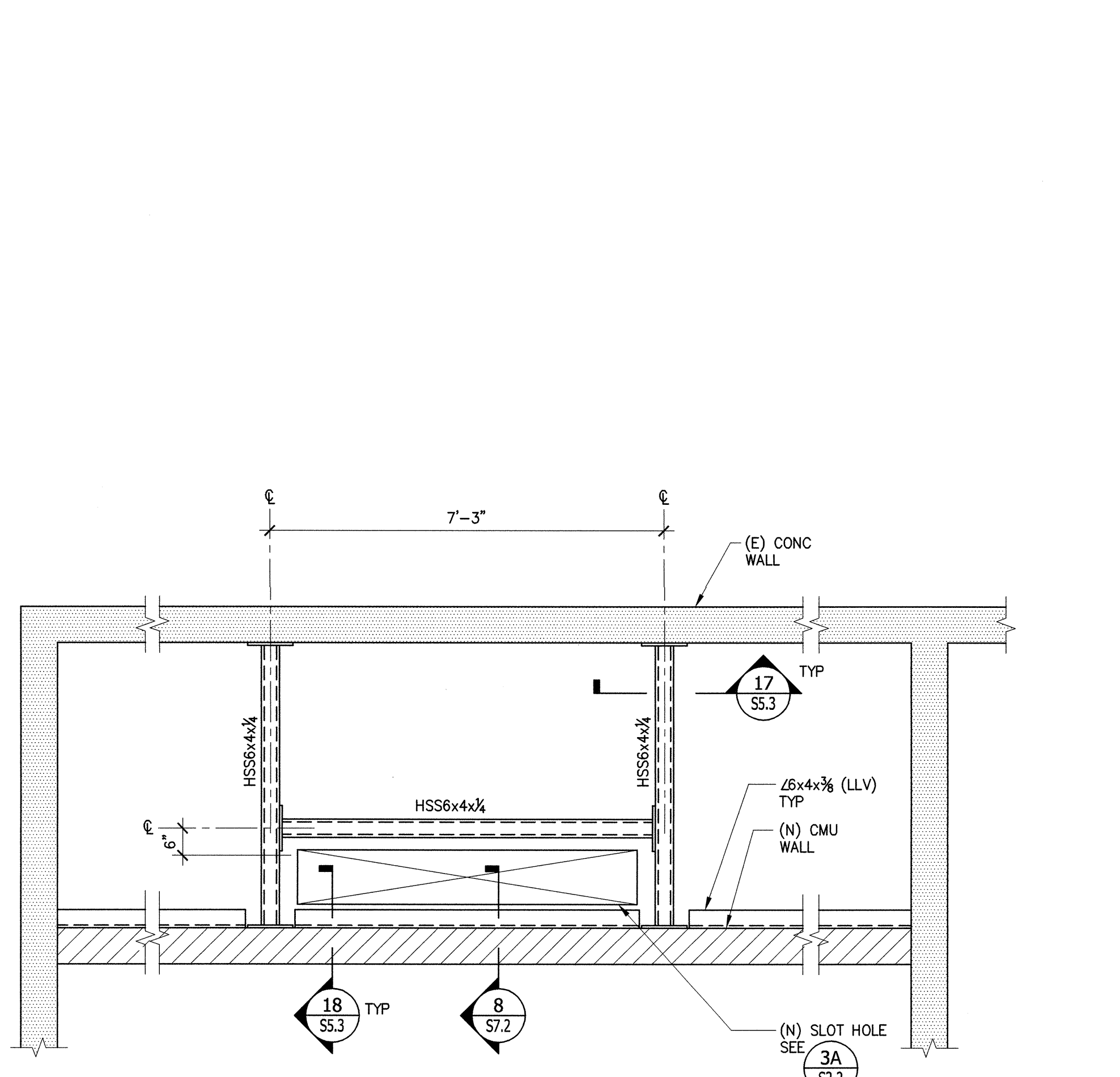
DATE	January 14, 2011
DRAWN	PIL
CHECKED	JKW
SCALE	
JOB NO.	2921.01
SHEET NUMBER	



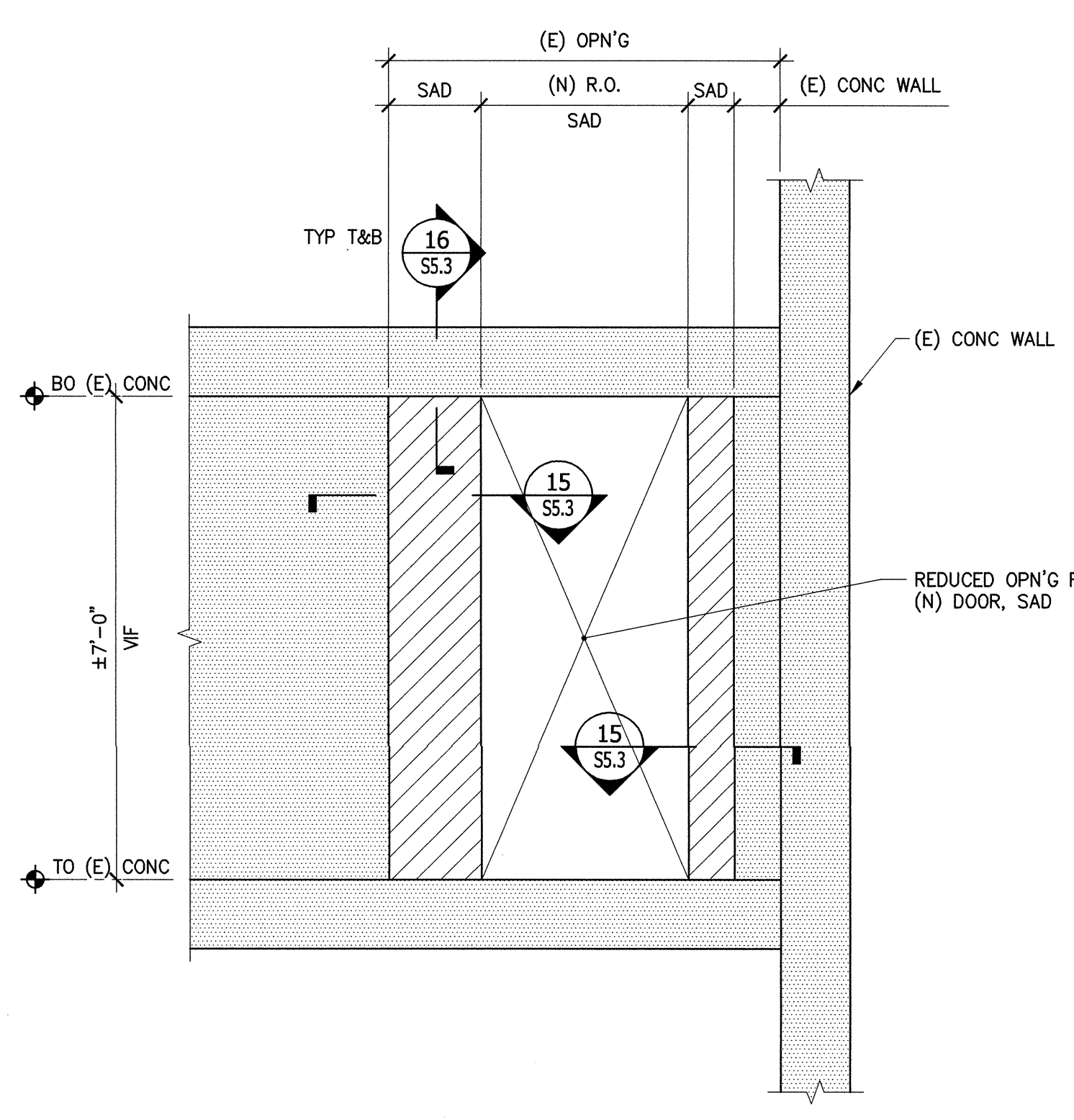
3 ELEVATION BUILDING 16 Scale: 1/2"=1'-0"



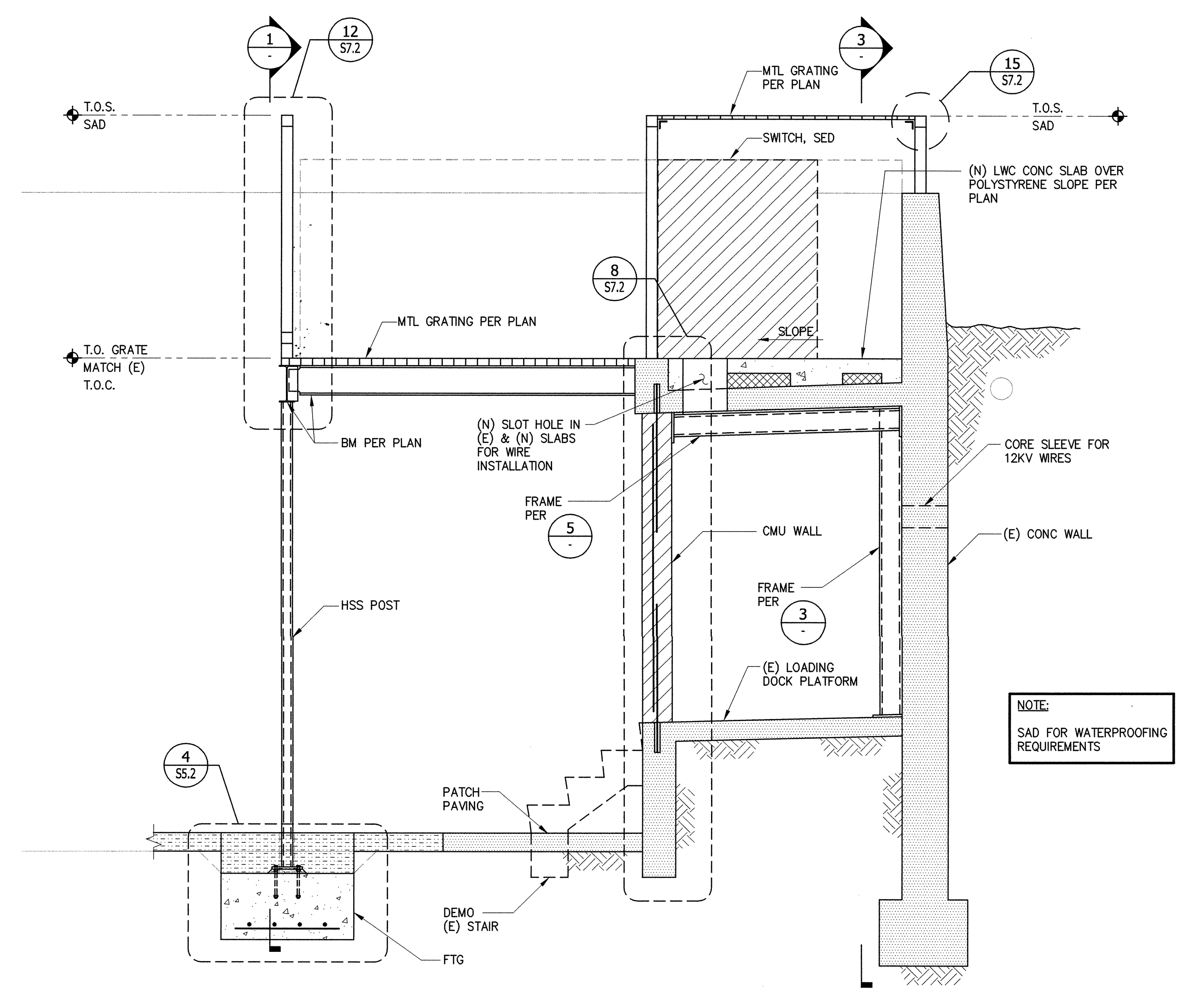
1 ELEVATION BUILDING 16 Scale: 1/2"=1'-0"



5 ELEVATION BUILDING 16 Scale: 1/2"=1'-0"



4 ELEVATION BUILDING 16 Scale: 1/2"=1'-0"



2 SECTION BUILDING 16 Scale: 1/2"=1'-0"