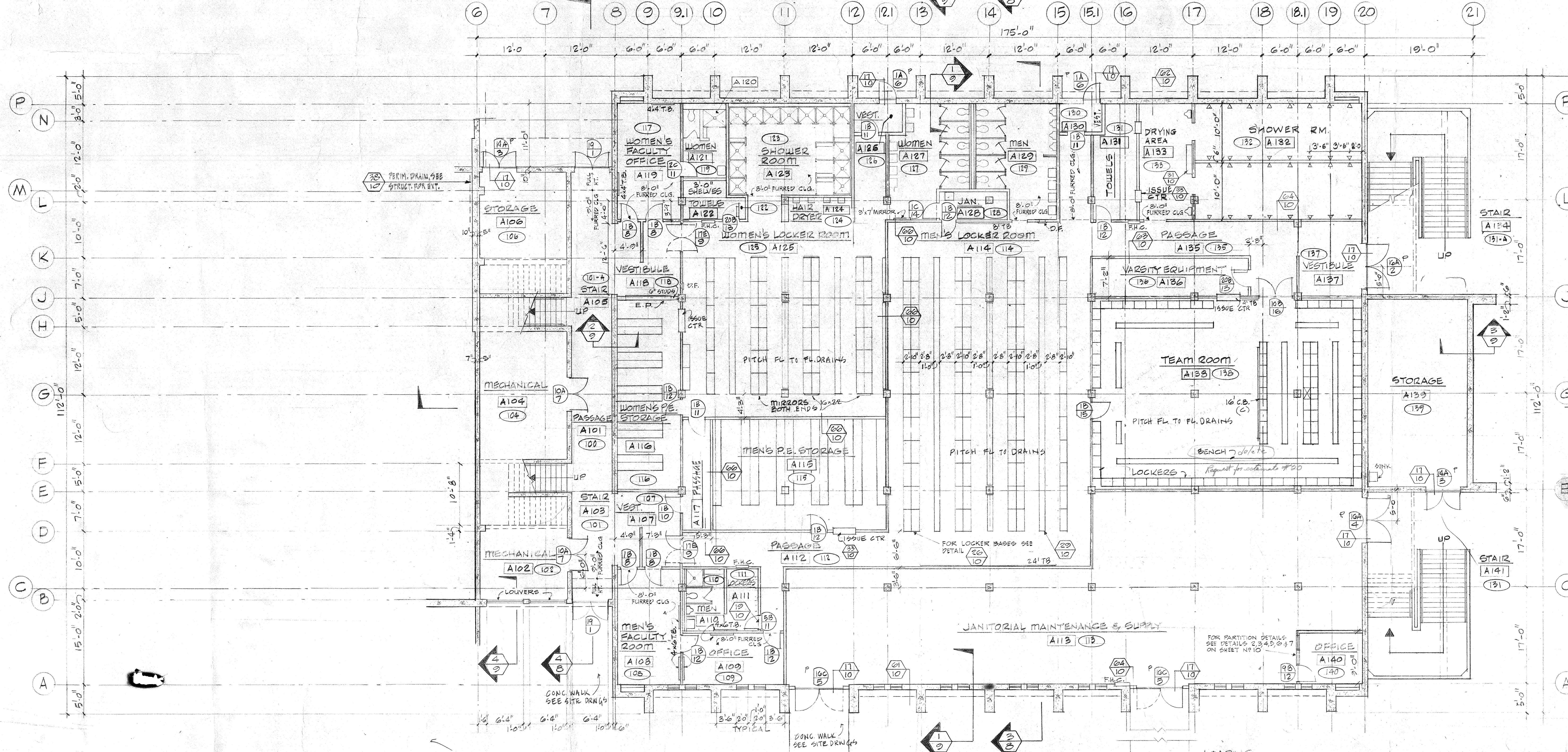
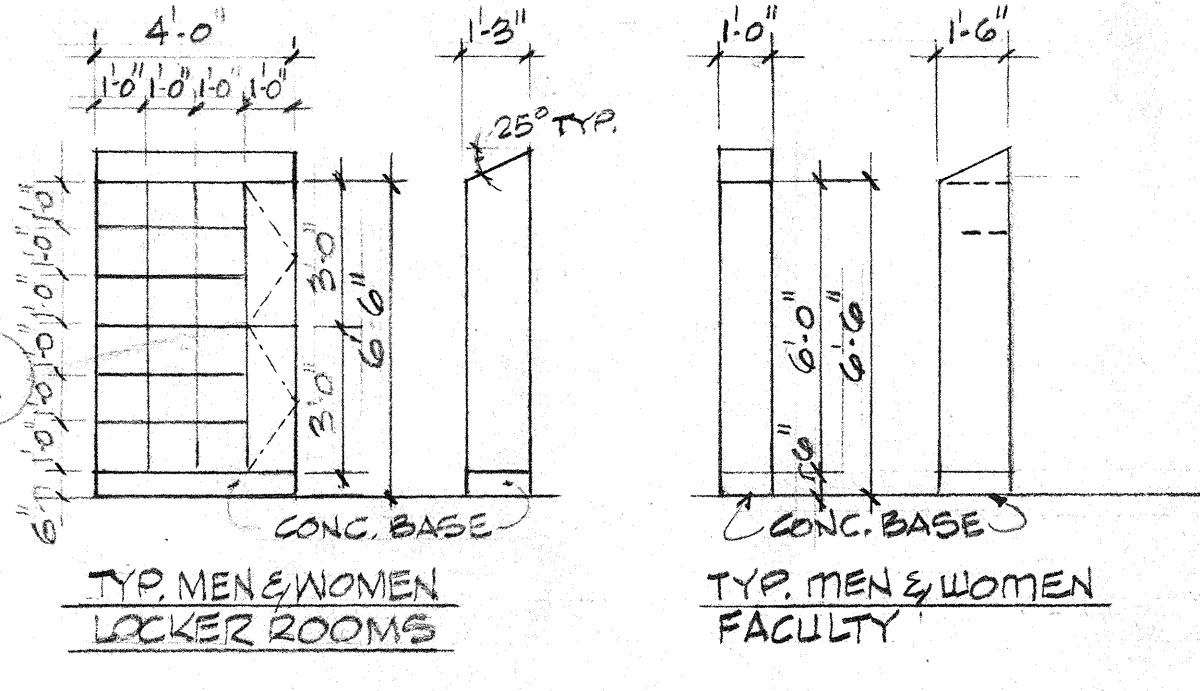
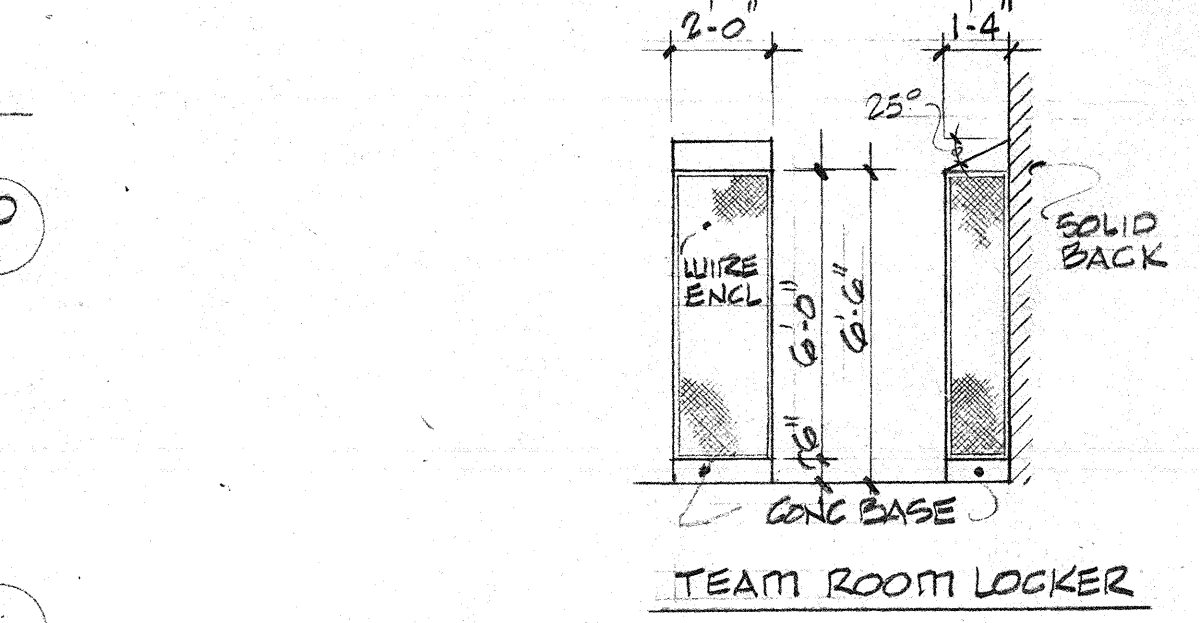


SECOND FLOOR PLAN

SECOND FLOOR UPPER LEVEL FLOOR PLAN



FIRST FLOOR PLAN



DRAWINGS - ARCHITECTURAL - GYMNASIUM BLDG. "A"

- Sheet 2 - First Floor Plan:
- Room A115 Men's P.E. Storage - cabinets shown are N.I.C. (4 double, 2 single - 10 total).
 - Room A116 Women's P.E. Storage - cabinets shown are N.I.C. (5 double - 10 total).

- GENERAL NOTES:
- LET N.I.C. FOR STAIR SECTIONS.
 - ALL STUDS TO BE SPAN METAL STUDS UNLESS OTHERWISE NOTED.
 - 2 HOUR WALLS INDICATED THUS: [Symbol]
 - ALL WALL & BASE CASING TO SHELF STANDARDS ETC. SHALL BE SECURELY FASTENED TO STRUCTURE.
 - UNDER SIDE OF FLOOR OR ROSE STRUCTURE PROVIDE CROSS & LONGITUDINAL BRACING FOR ALL SUSPECTED CEILING AS PER 0.

1ST & 2ND FLOOR PLANS

SCALE 1/8"=1'-0" DATE 2-20-67 JOB NO. 2420

JOHN A. BLUME & ASSOC., ENGINEERS
CIVIL & STRUCTURAL ENGINEERS
KELLER & GANNON
MECHANICAL & ELECTRICAL ENGINEERS
DOUGLAS BAYLIS
LANDSCAPE ARCHITECT
SAN FRANCISCO, CALIFORNIA

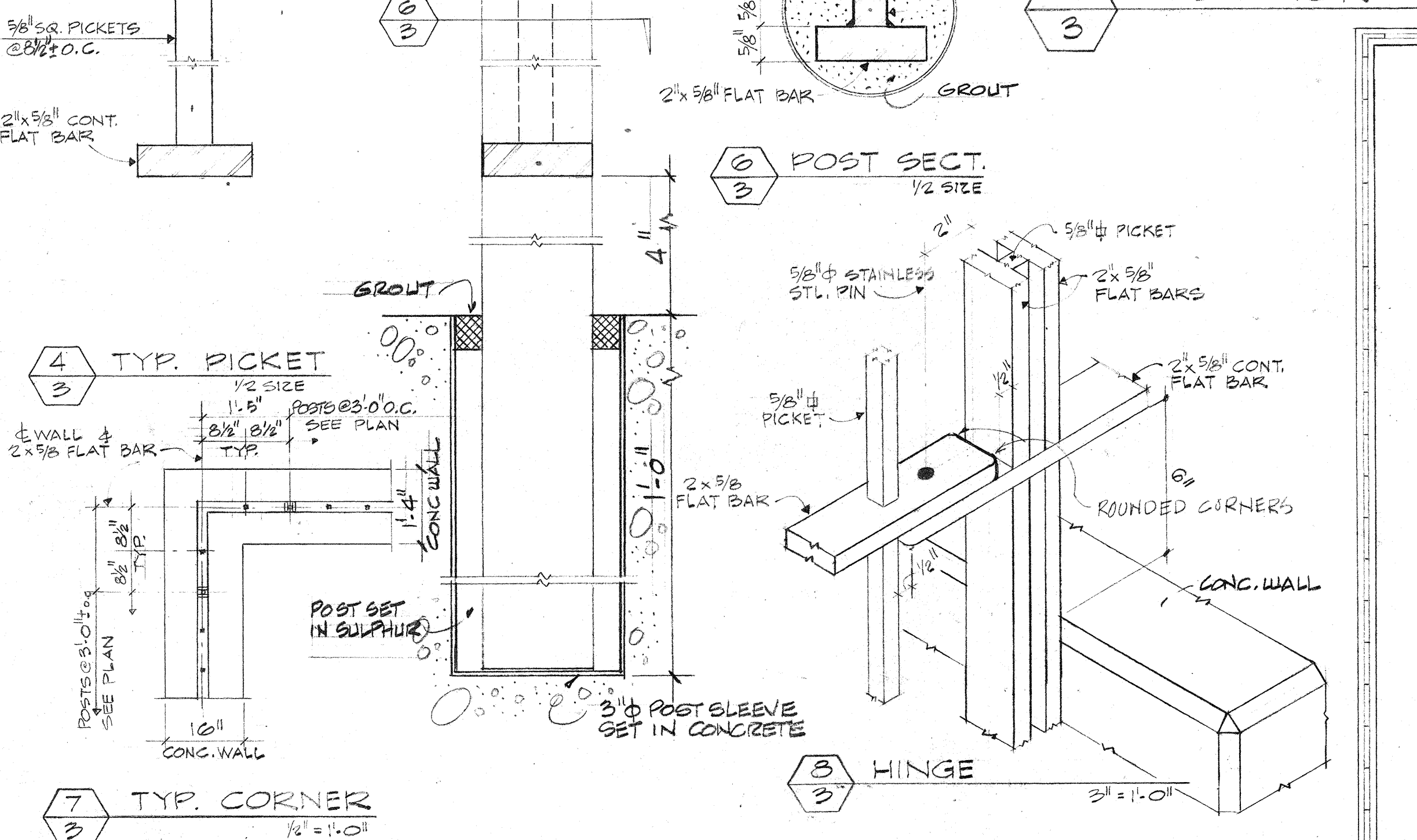
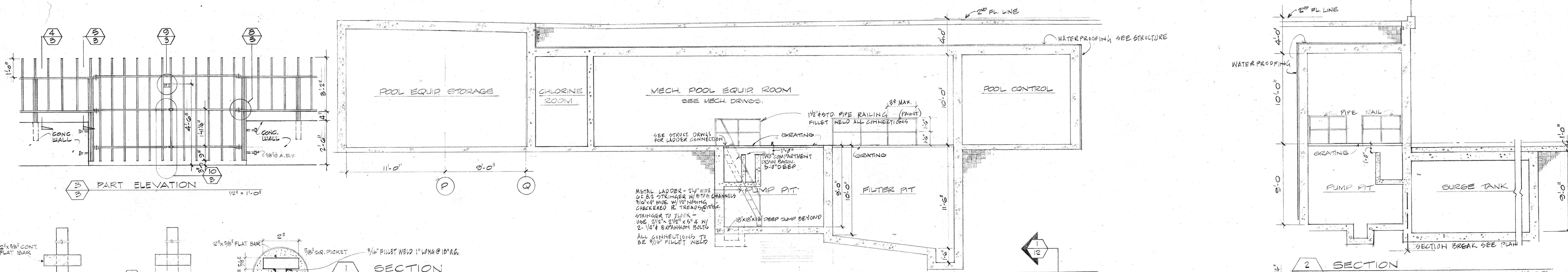
WELTON BECKET AND ASSOCIATES
ARCHITECTS
SAN FRANCISCO, CALIFORNIA

WELTON BECKET AND ASSOCIATES - CHAN/RADER AND ASSOCIATES
ARCHITECTS
153 MAIDEN LANE, SAN FRANCISCO, CALIFORNIA

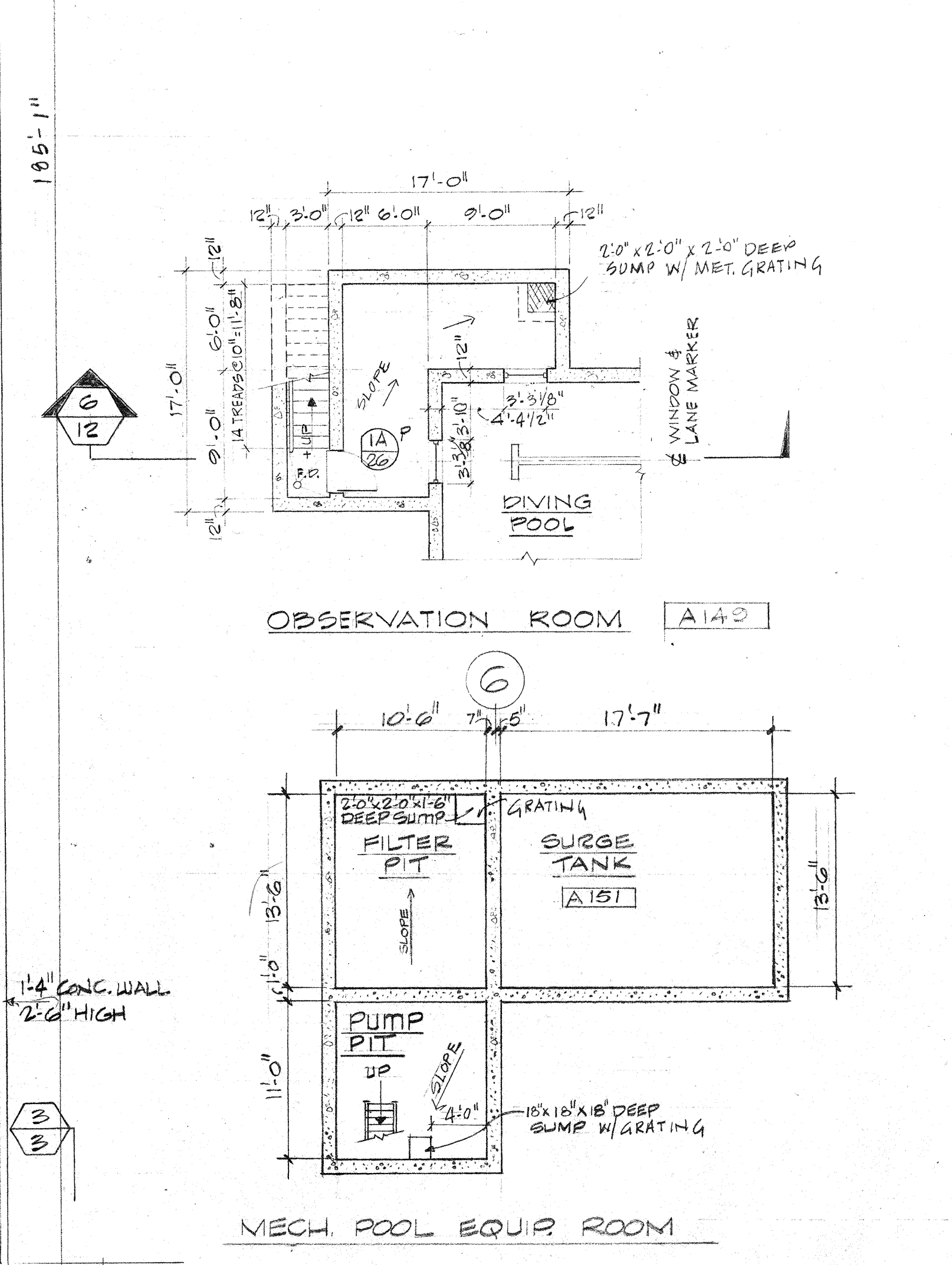
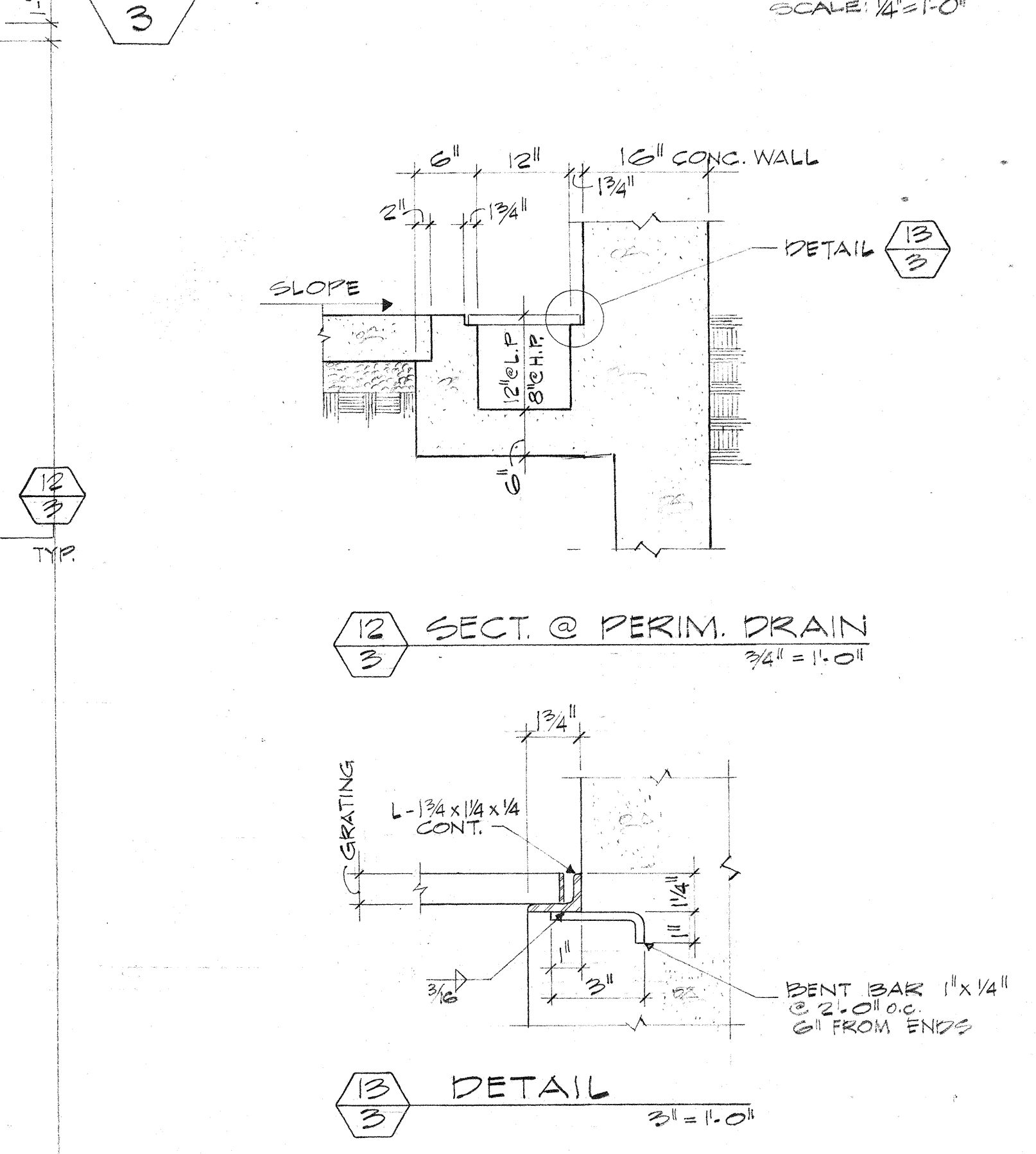
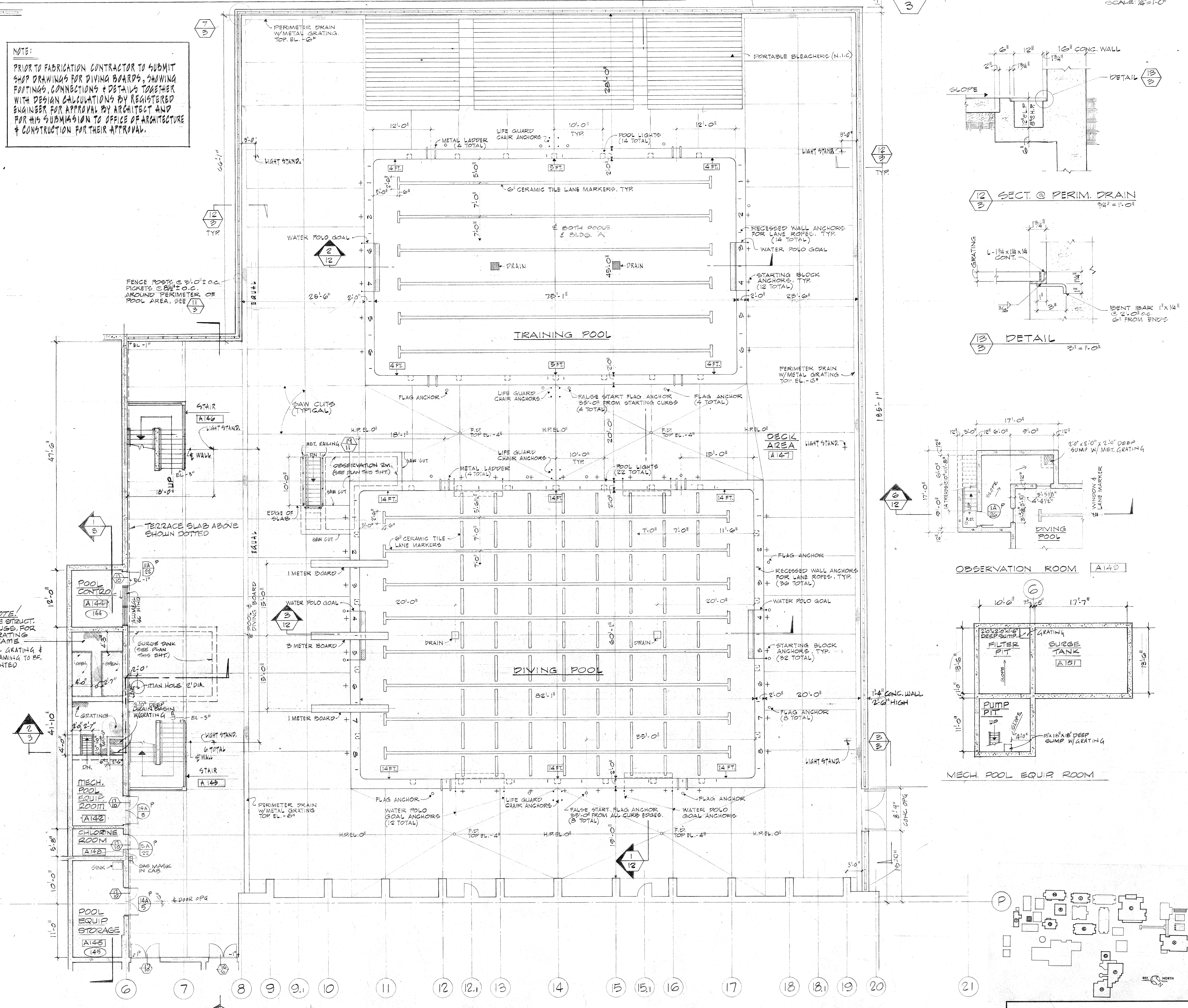
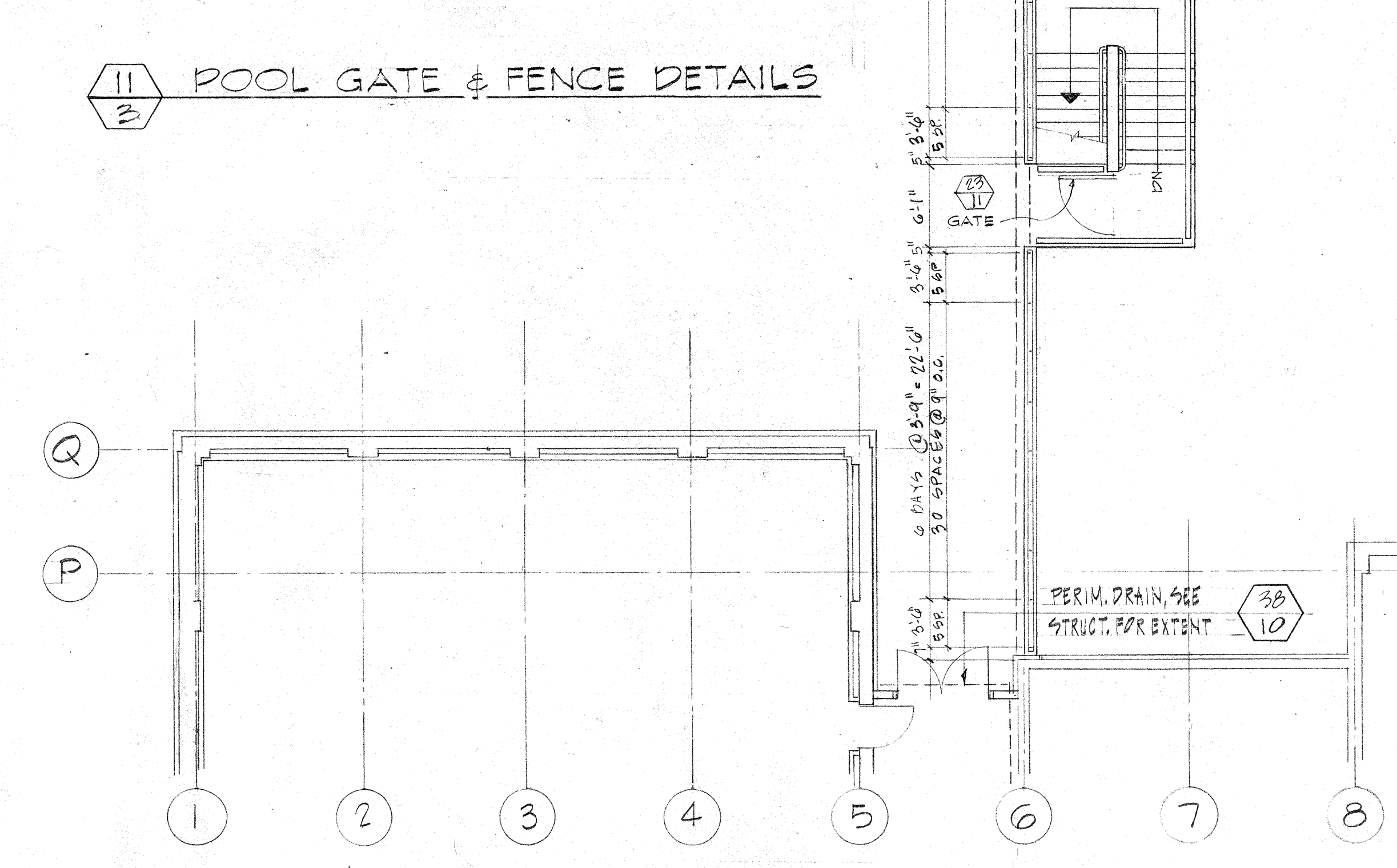
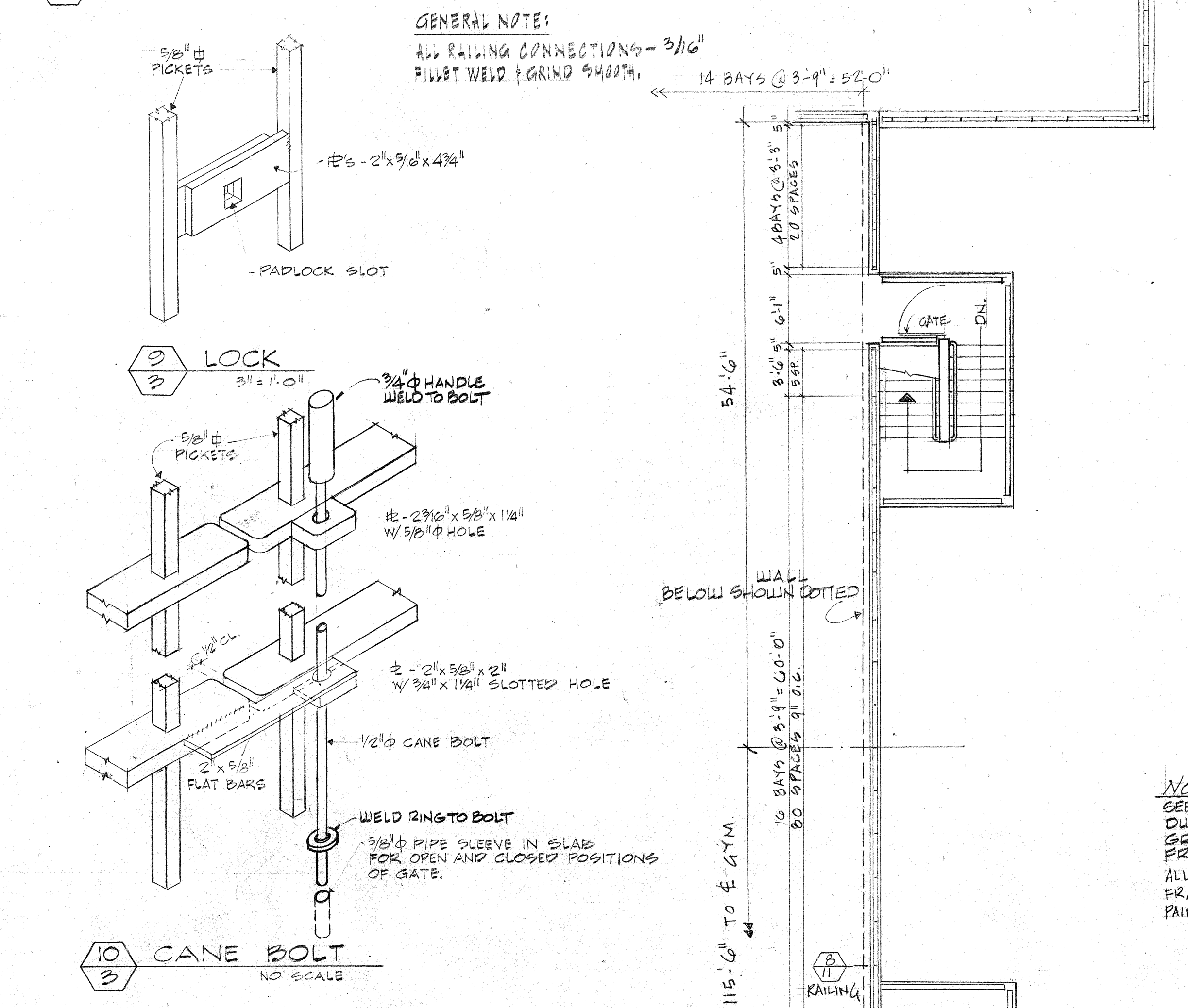
SAN MATEO JUNIOR COLLEGE DISTRICT
SOUTH CAMPUS
REDWOOD CITY, CALIFORNIA

WALTER V. SASSARAO
JULIO L. BORTOLUZZO
SAN MATEO JUNIOR COLLEGE DISTRICT

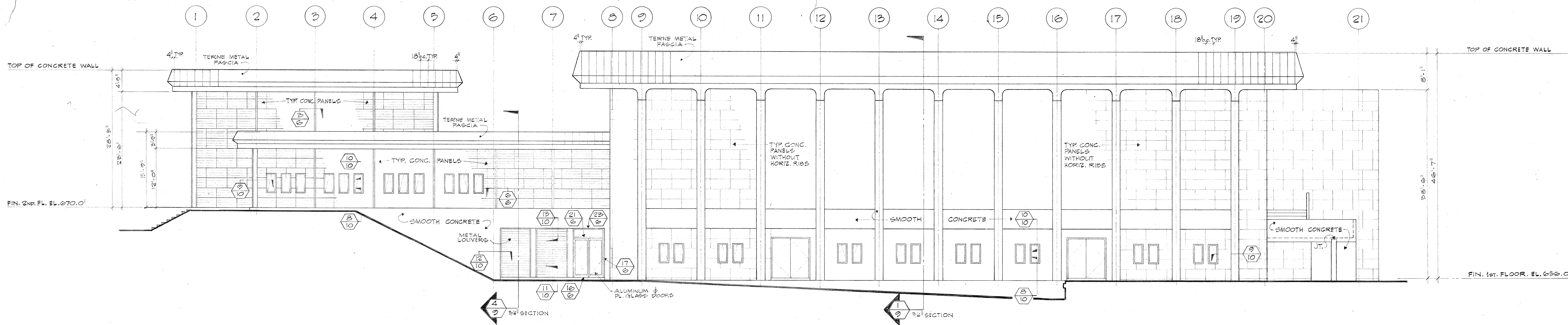
2



NOTE:
 PRIOR TO FABRICATION CONTRACTOR TO SUBMIT SHOP DRAWINGS FOR DIVING BOARDS, SWIMMING FOOTINGS, CONNECTIONS & DETAILS TOGETHER WITH DESIGN CALCULATIONS BY REGISTERED ENGINEER FOR APPROVAL BY ARCHITECT AND FOR HIS SUBMISSION TO OFFICE OF ARCHITECTURE & CONSTRUCTION FOR THEIR APPROVAL.

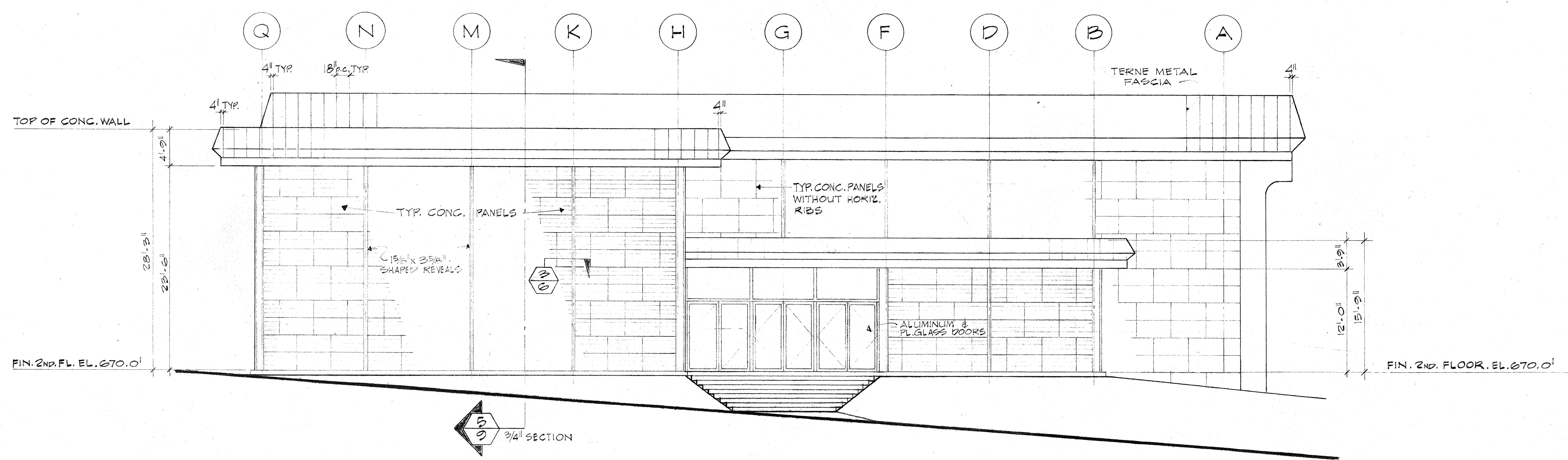


POOL & 2ND FL. TERRACE PLANS
 SCALE 1/8" = 1'-0"
 DATE 2-20-67
 JOB NO. 5490 & 5571



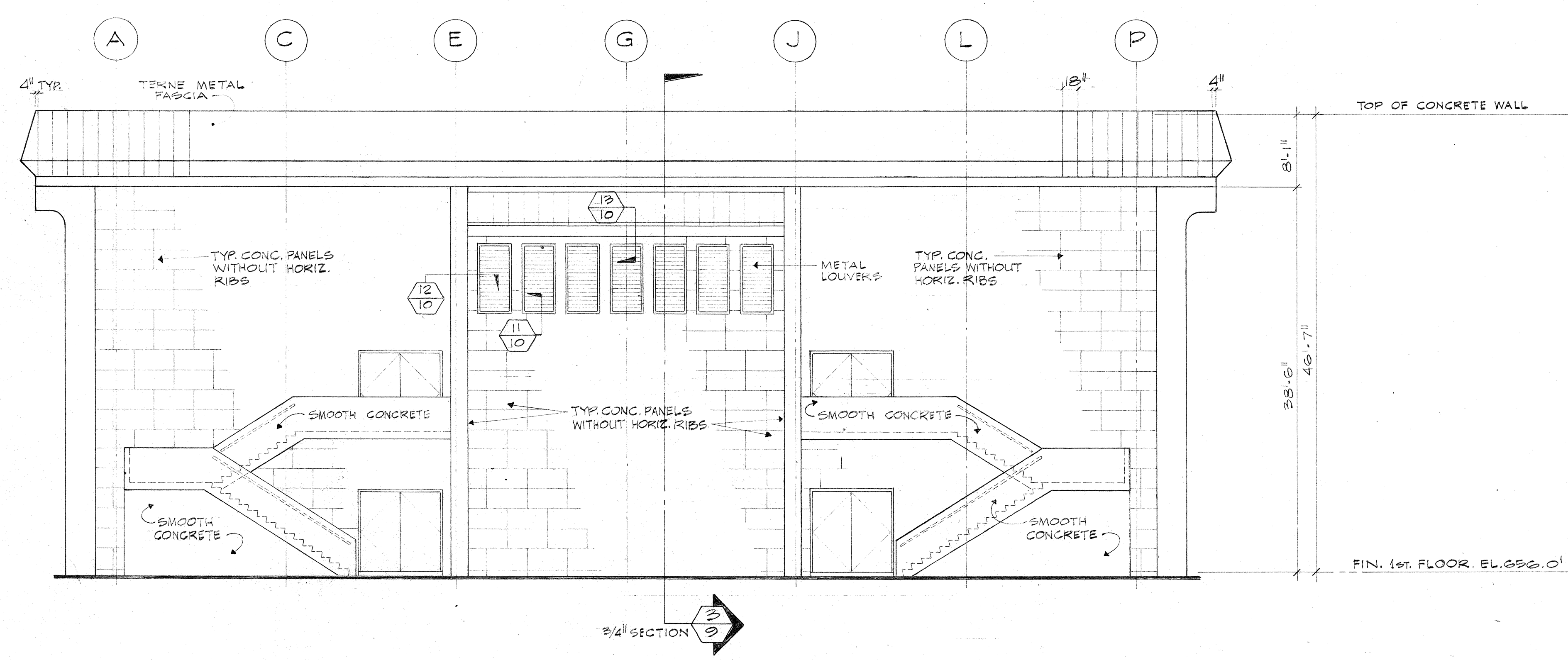
1 WEST ELEVATION - BUILDING 'A'

SCALE: 1/8" = 1'-0"



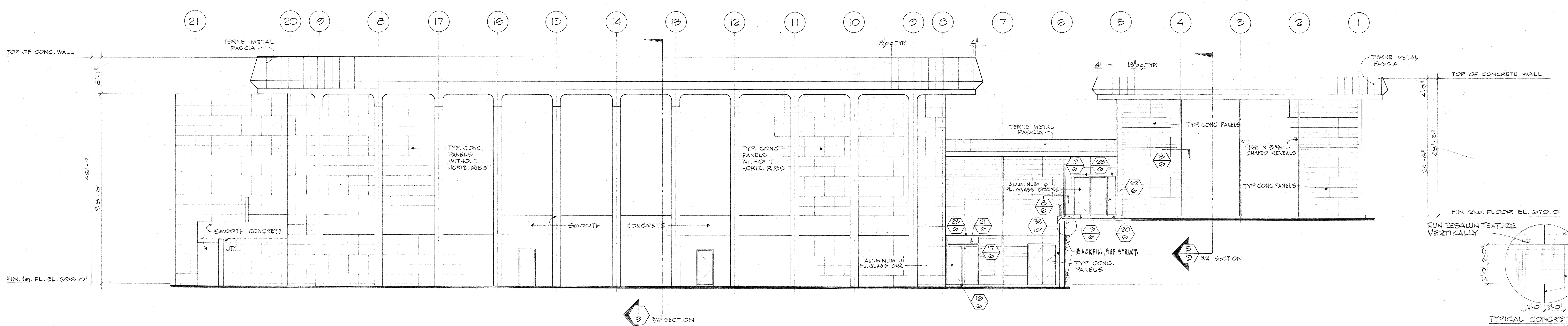
2 NORTH ELEVATION - BUILDING 'A'

SCALE: 1/8" = 1'-0"



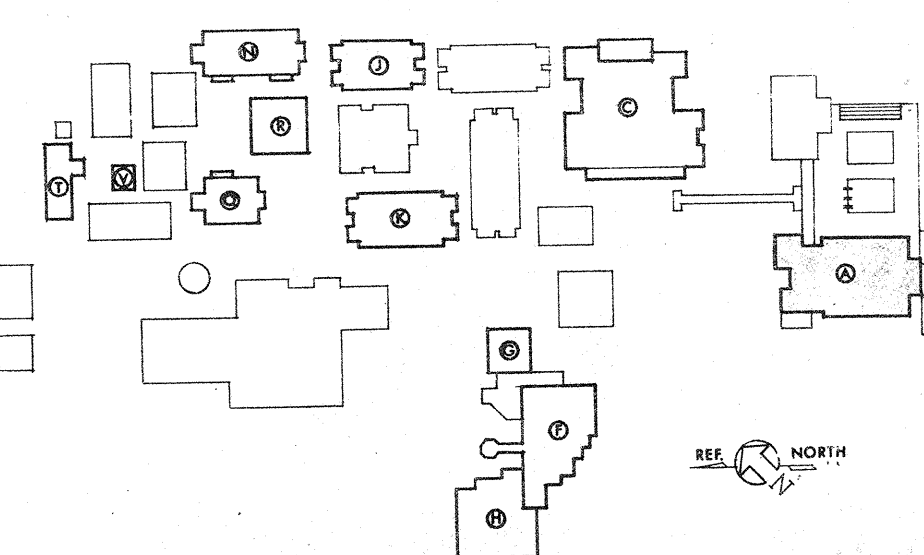
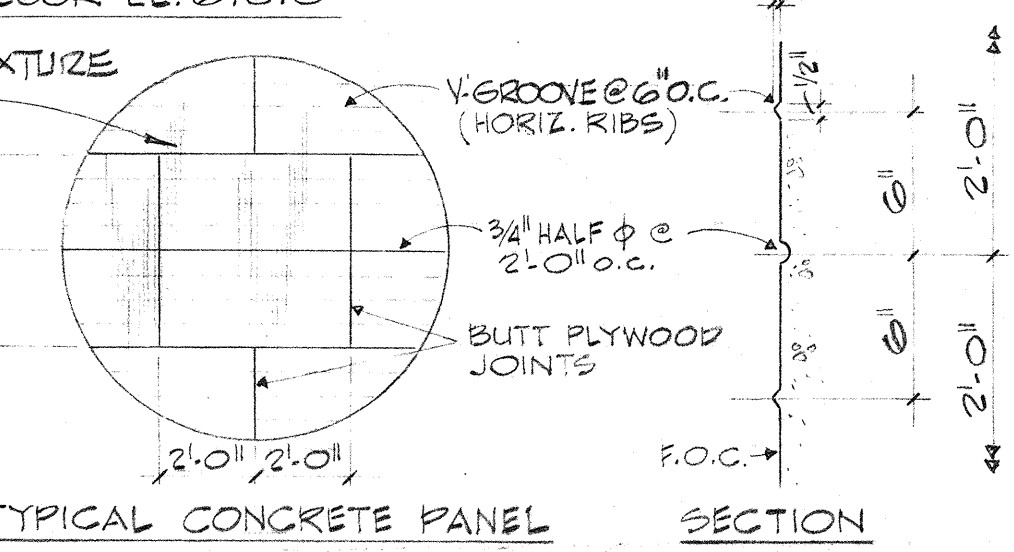
3 SOUTH ELEVATION - BUILDING 'A'

SCALE: 1/8" = 1'-0"



4 EAST ELEVATION - BUILDING 'A'

SCALE: 1/8" = 1'-0"



EXTERIOR ELEVATIONS

RD 10 CALIF 3-2145 SCALE 1/8" = 1'-0" DATE 2-20-67 JOB NO. 5490

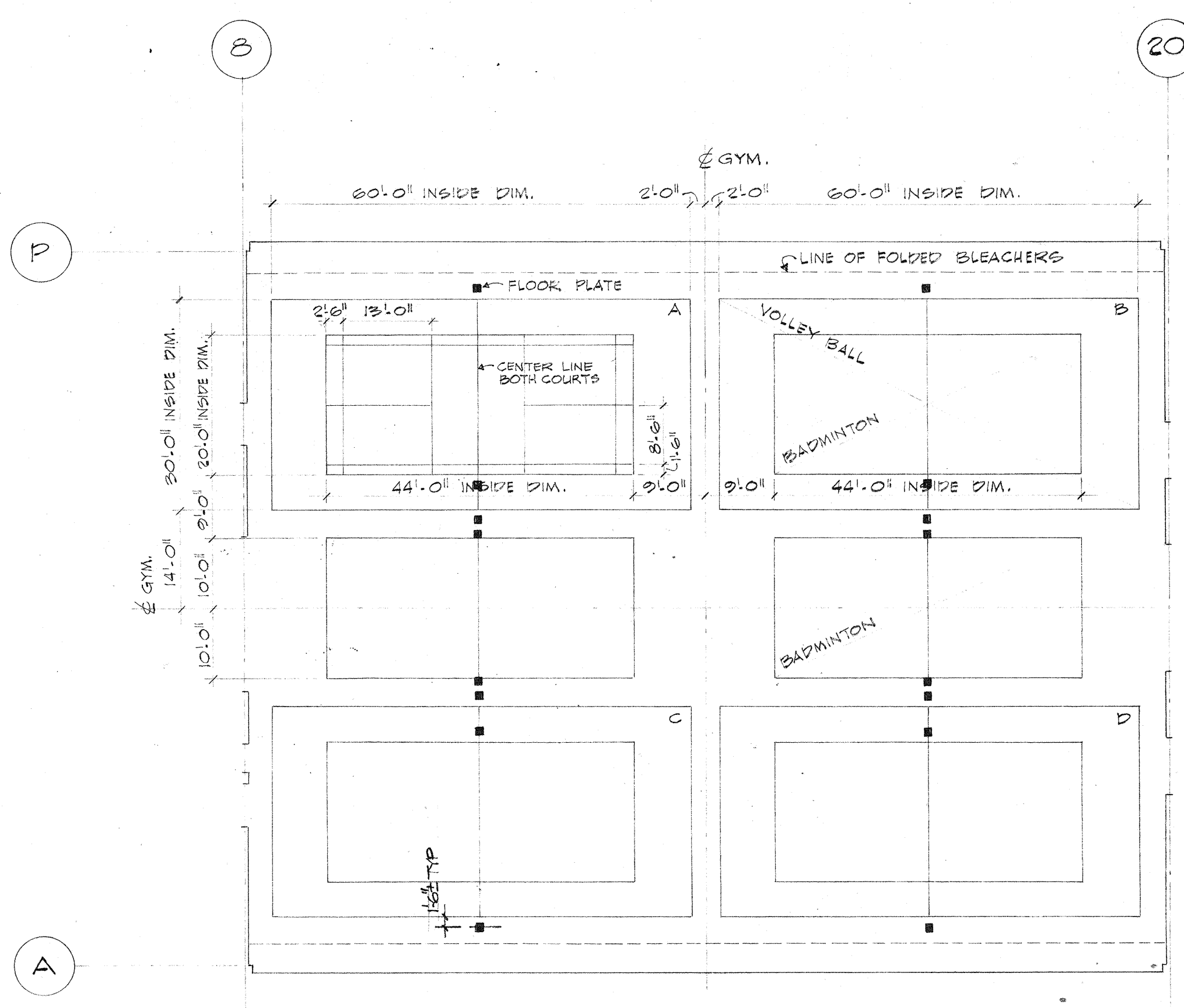
JOHN A. BURKE & ASSOC. ENGINEERS
 CIVIL & STRUCTURAL ENGINEERS
 KEUER & GANNON
 MECHANICAL & ELECTRICAL ENGINEERS
 LANDSCAPE ARCHITECT
 DOUGLAS BAYLIS
 SAN FRANCISCO, CALIFORNIA

WELTON BECKET AND ASSOCIATES — CHAN/RADER AND ASSOCIATES
 ARCHITECTS
 153 MAIDEN LANE, SAN FRANCISCO, CALIFORNIA

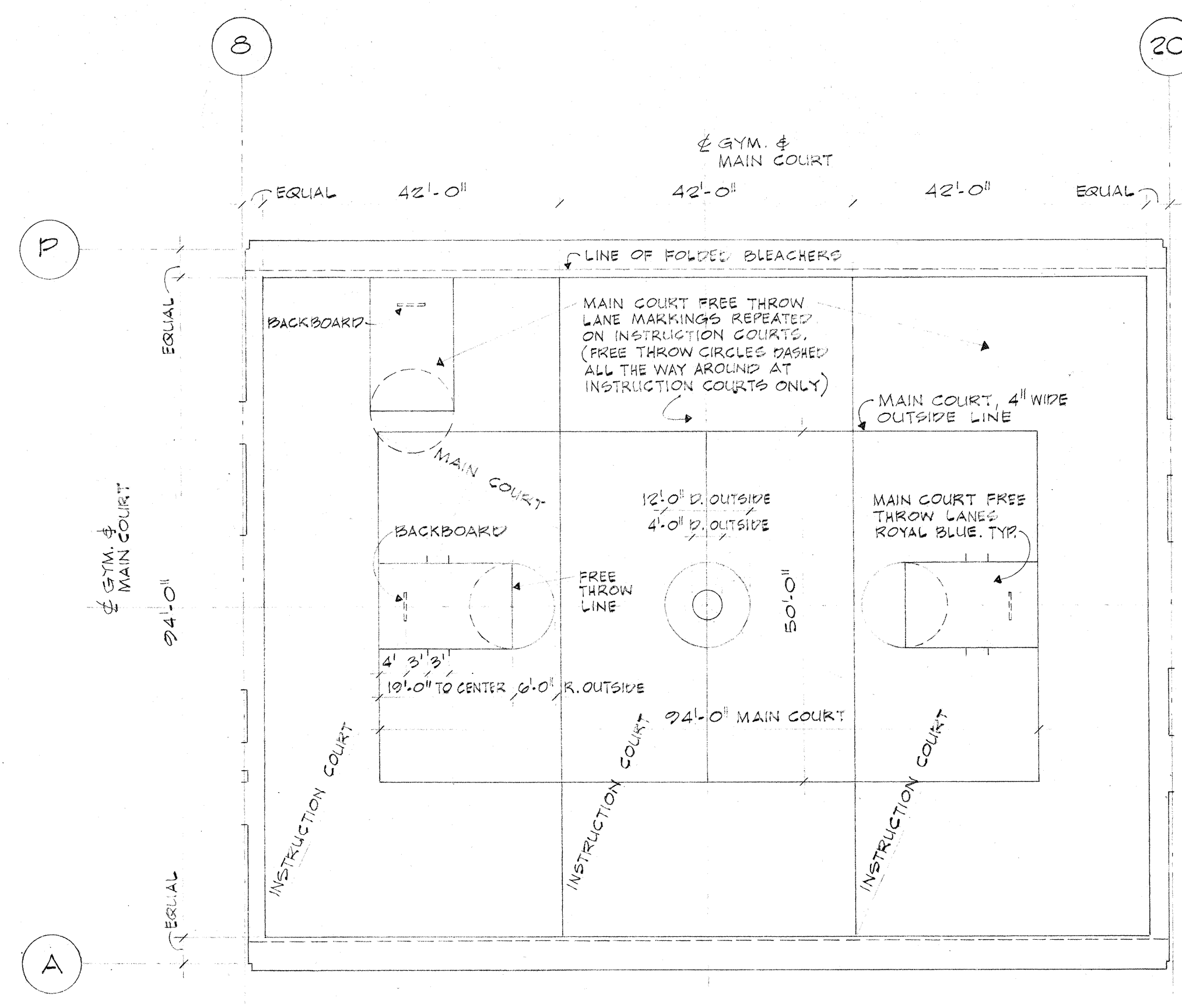
SAN MATEO JUNIOR COLLEGE DISTRICT
 SOUTH CAMPUS
 REDWOOD CITY, CALIFORNIA

HILIO L. RODRIGUEZ
 ARCHITECT
 153 MAIDEN LANE, SAN FRANCISCO, CALIFORNIA

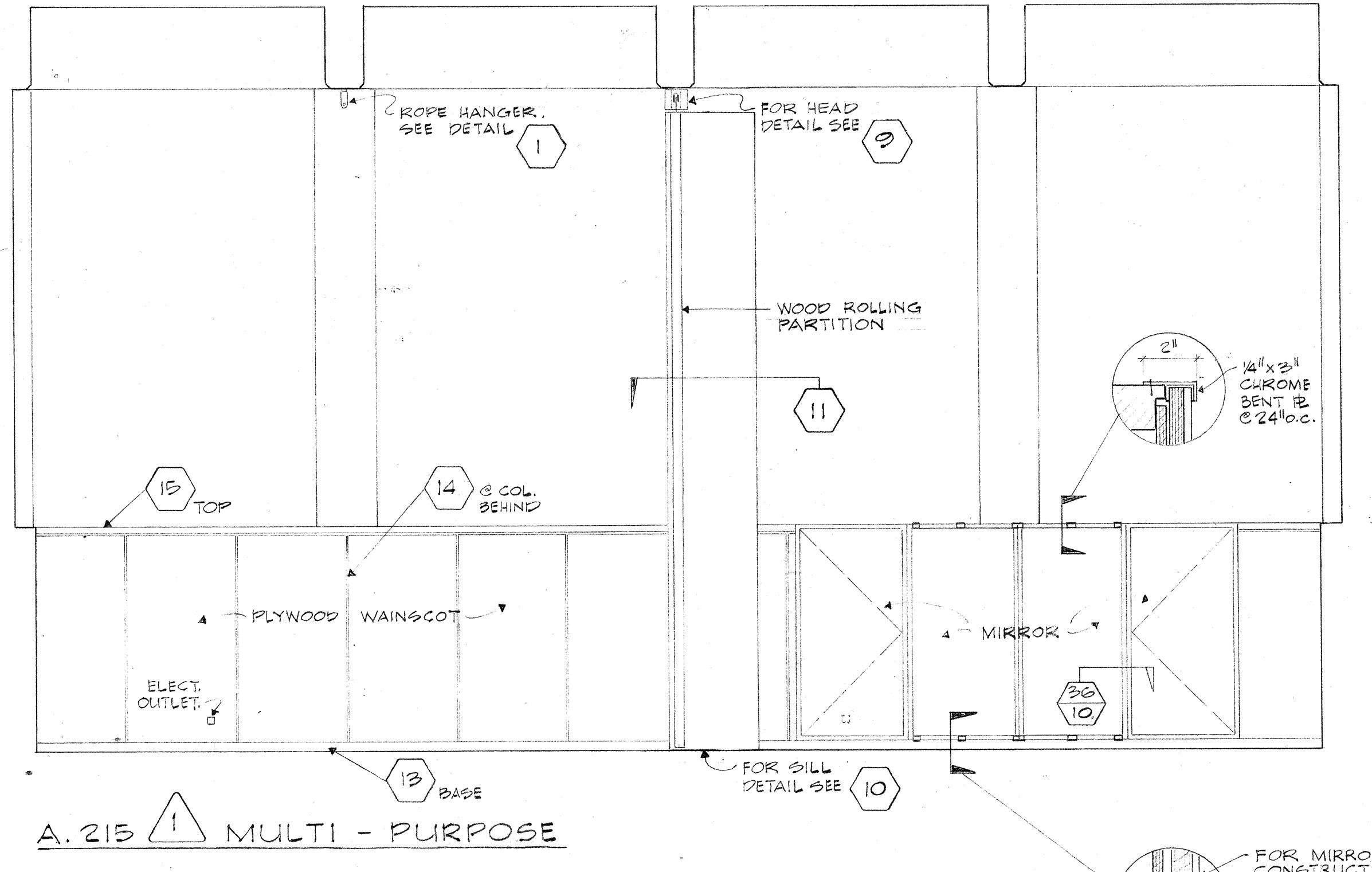
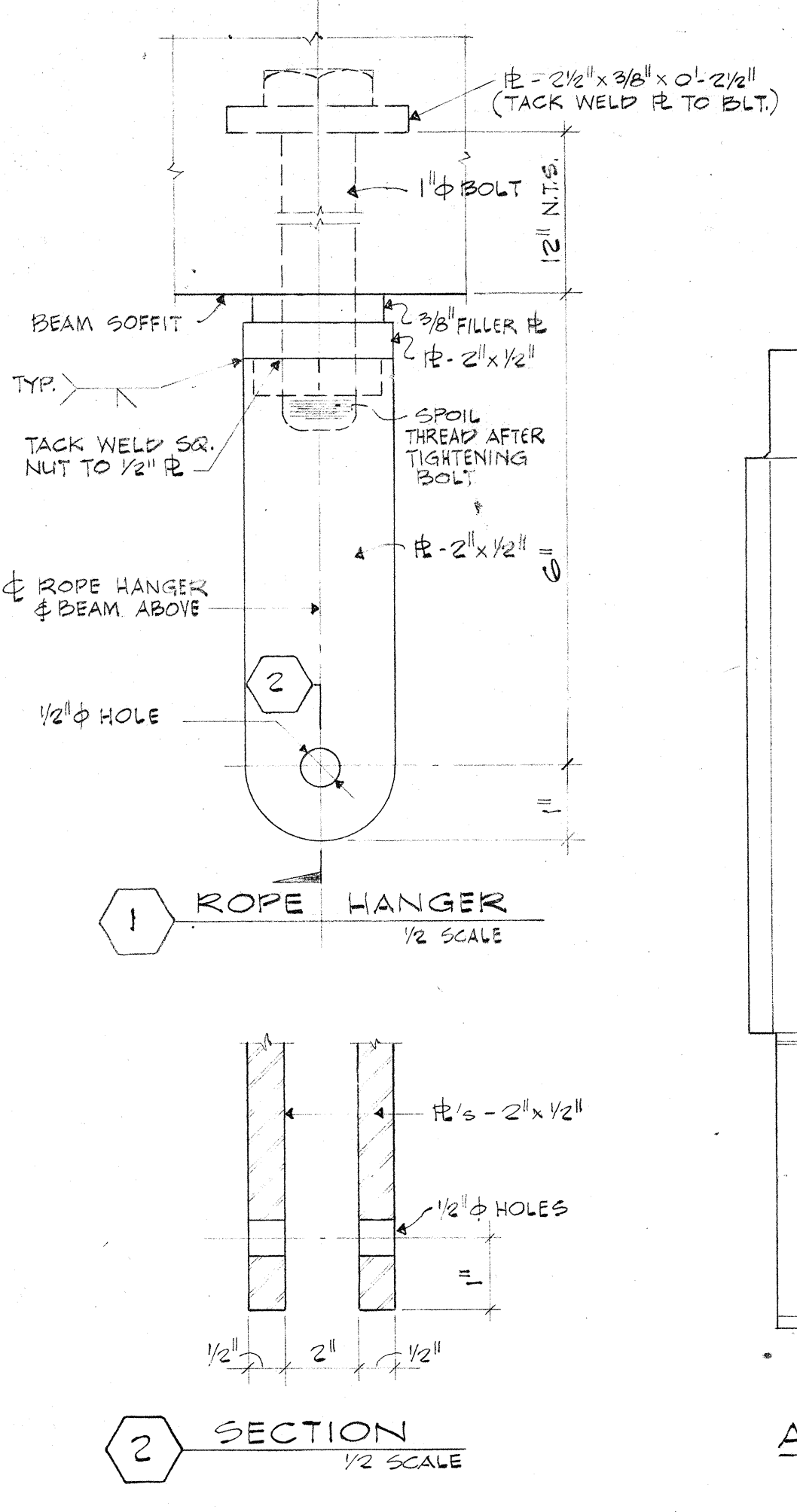
5
 BLDG. 1



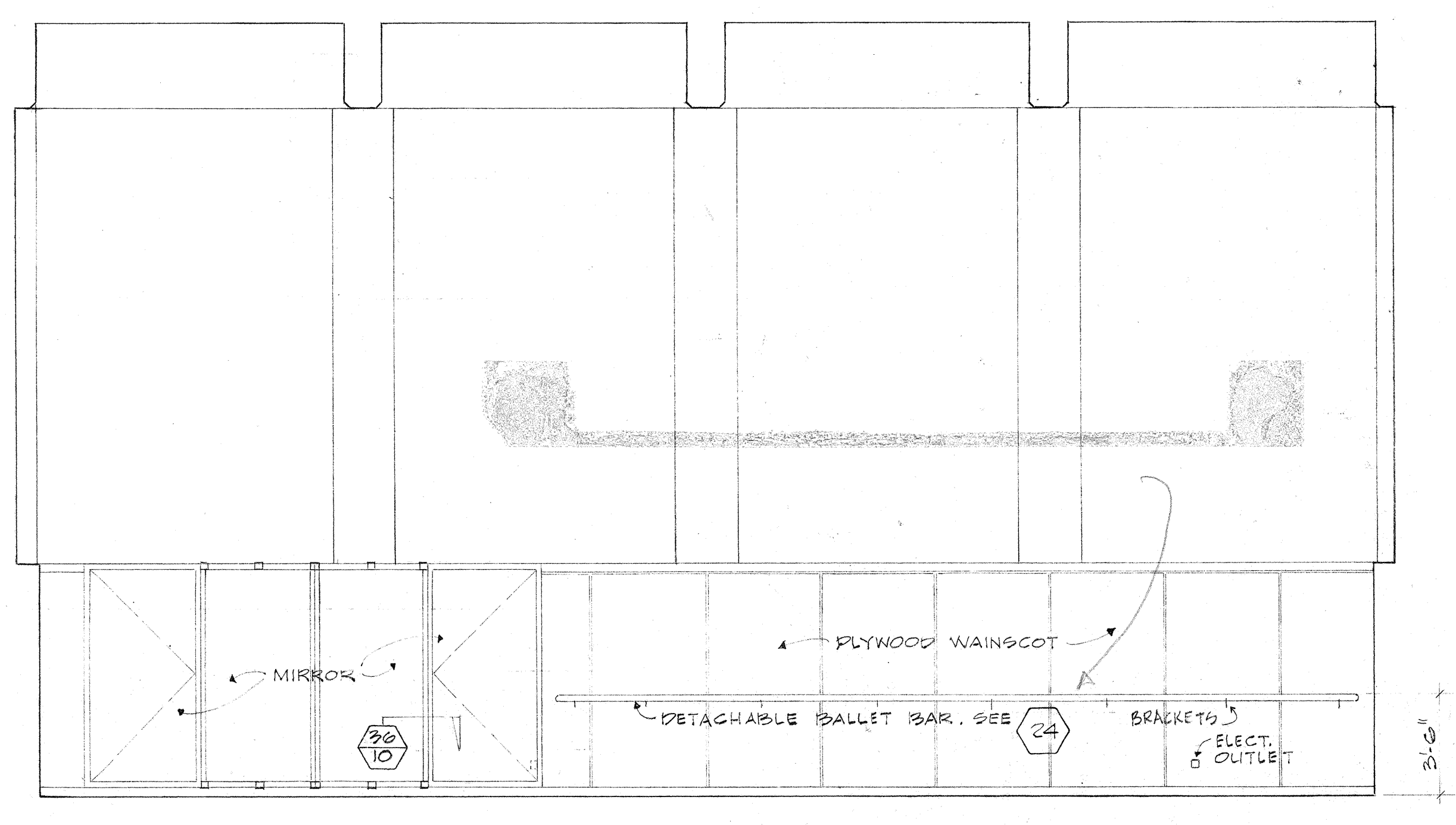
DIMENSIONS OF COURTS AS TYPICAL FOR COURTS B, C & D
VOLLEY BALL & BADMINTON COURTS
 VOLLEY BALL COURTS - YELLOW LINES
 BADMINTON COURTS - RED LINES 1" WIDE TYPICAL
 3/8" FLOOR PUTTS (30 REQUIRED)
 ALL LINES 2" WIDE UNLESS OTHERWISE NOTED. SCALE: 1/8" = 1'-0"



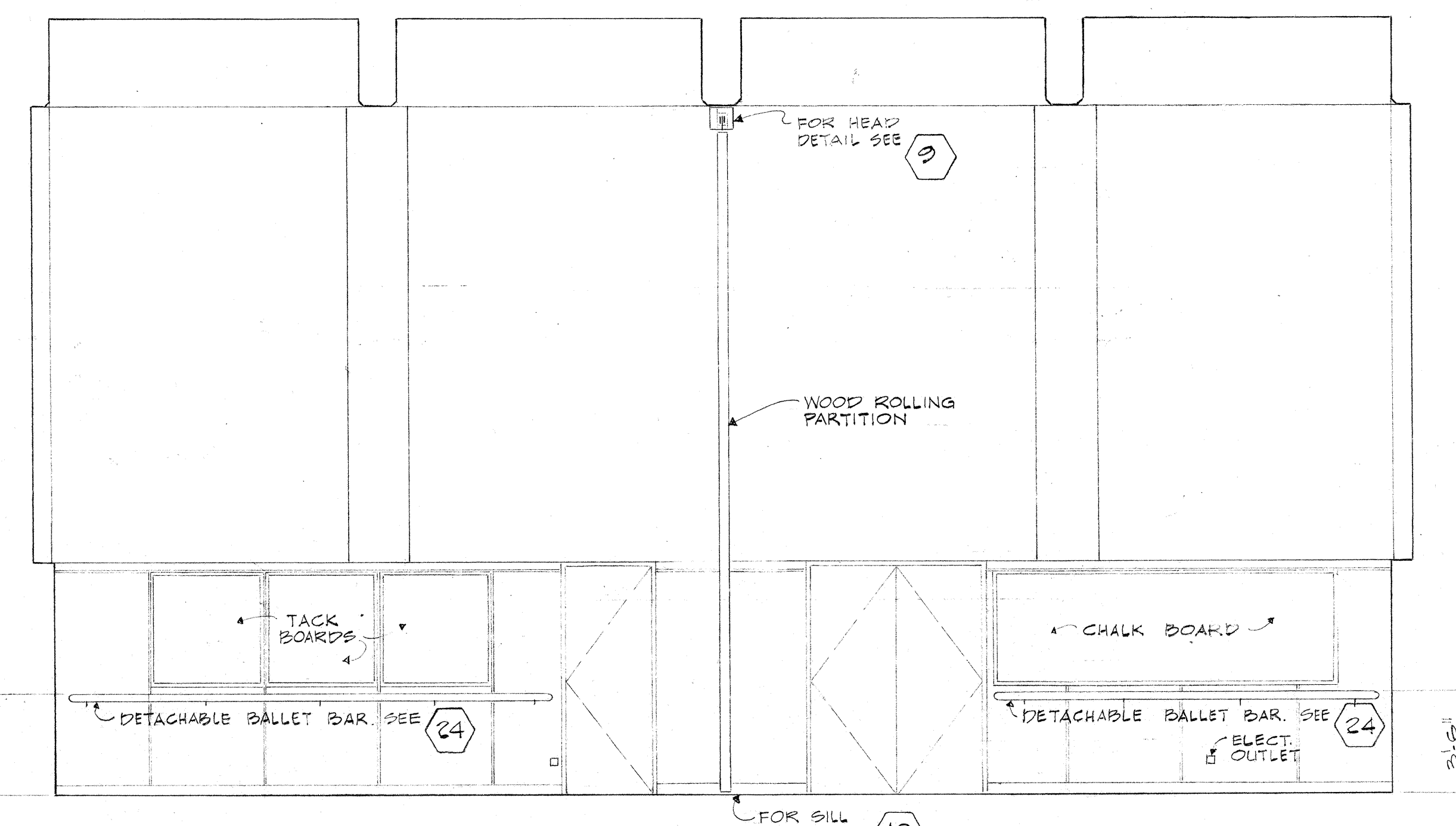
BASKETBALL COURTS
 MAIN COURT - BLACK LINES
 INSTRUCTION COURT - WHITE LINES
 DIMENSIONS ARE TO INSIDE EDGE OF BOUNDARY LINES.



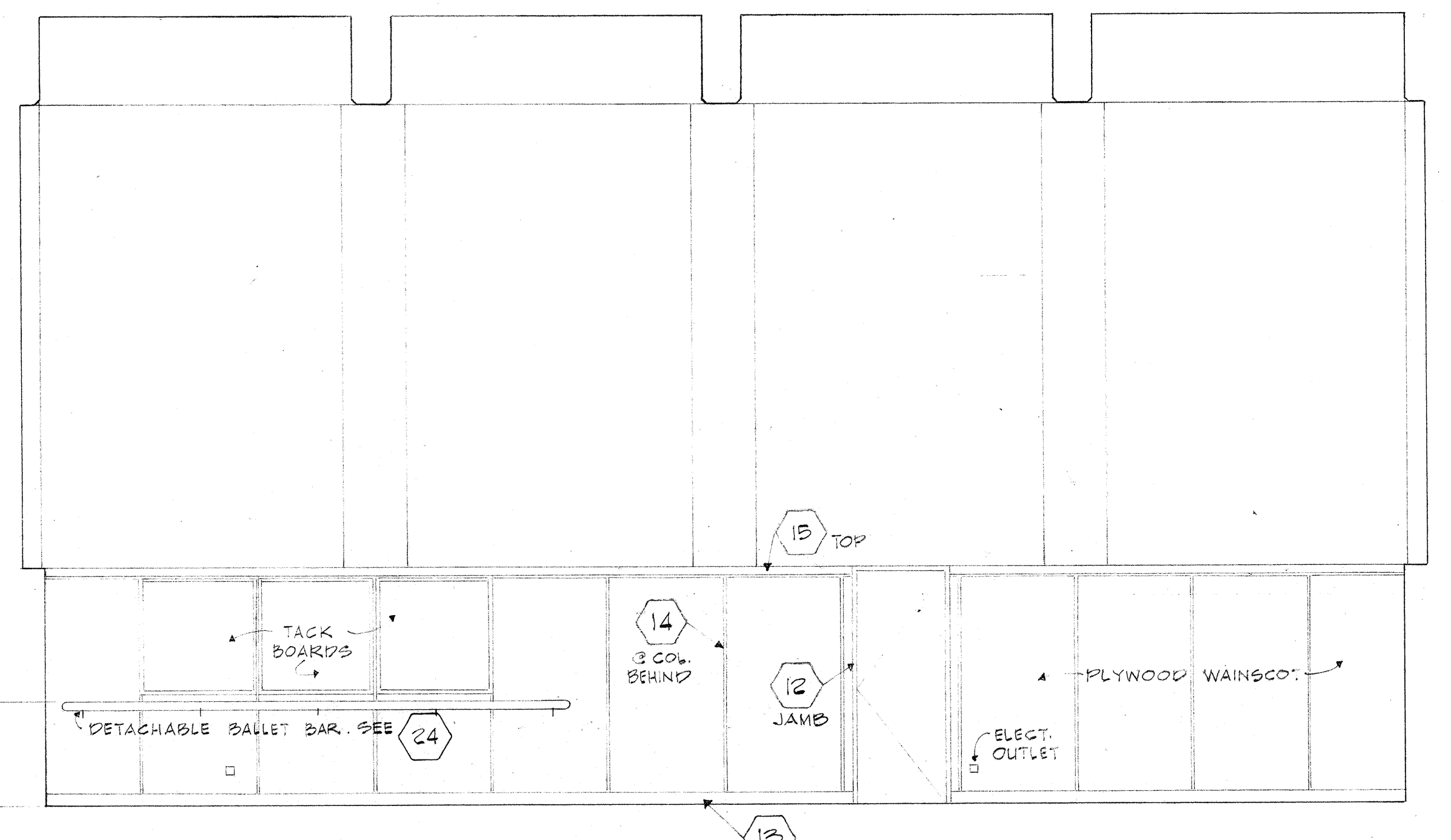
A.215 1 MULTI-PURPOSE



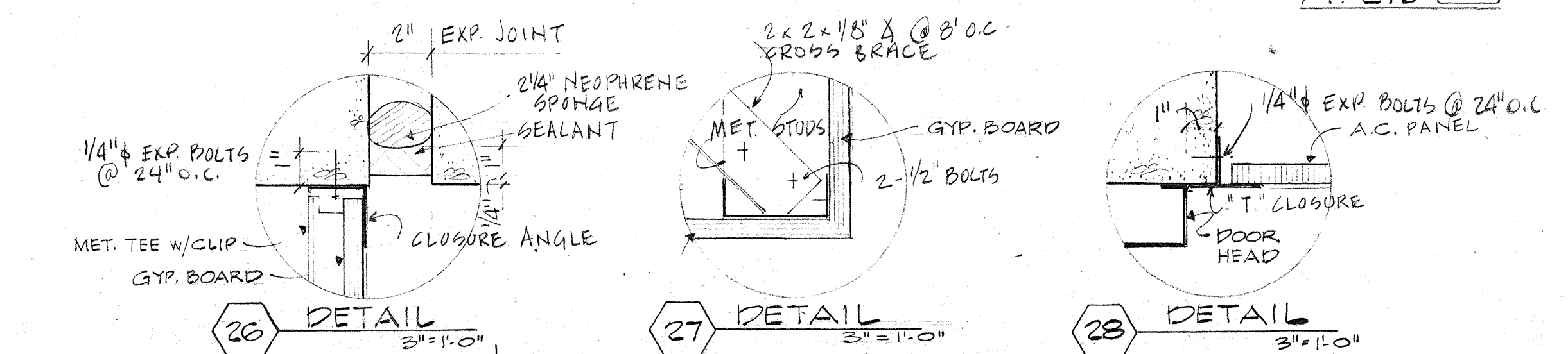
A.215 2



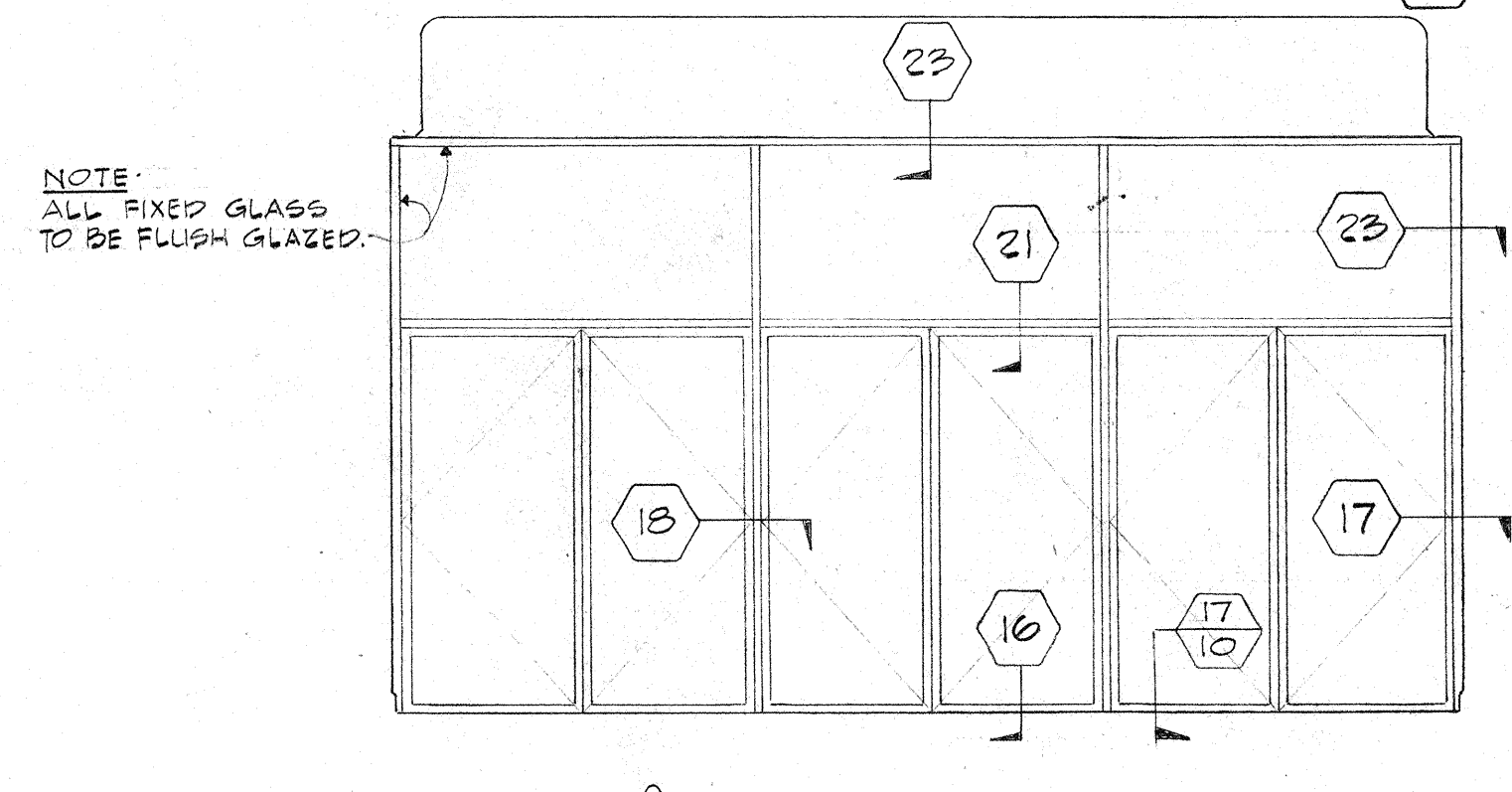
A.215 3



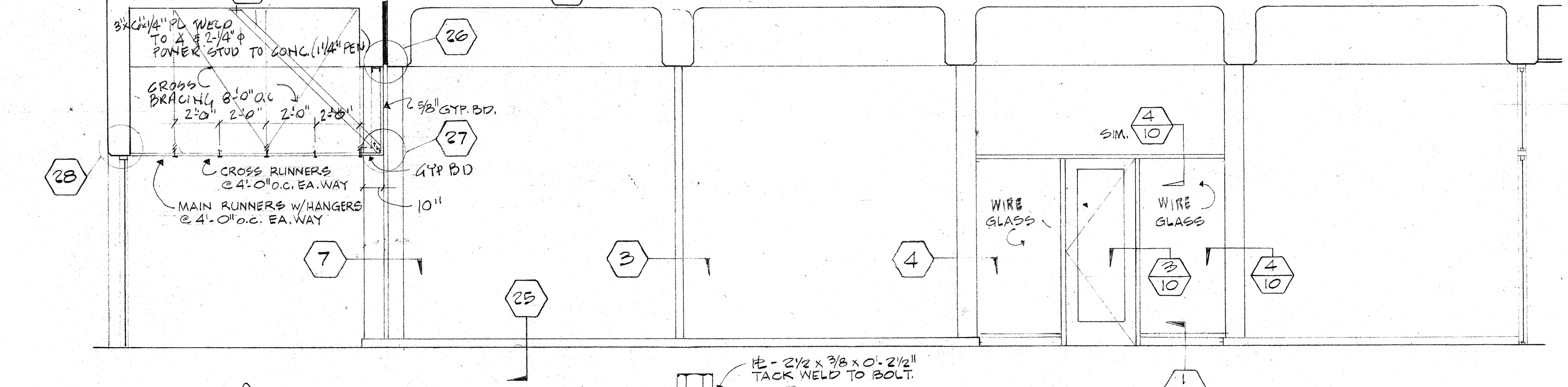
A.215 4



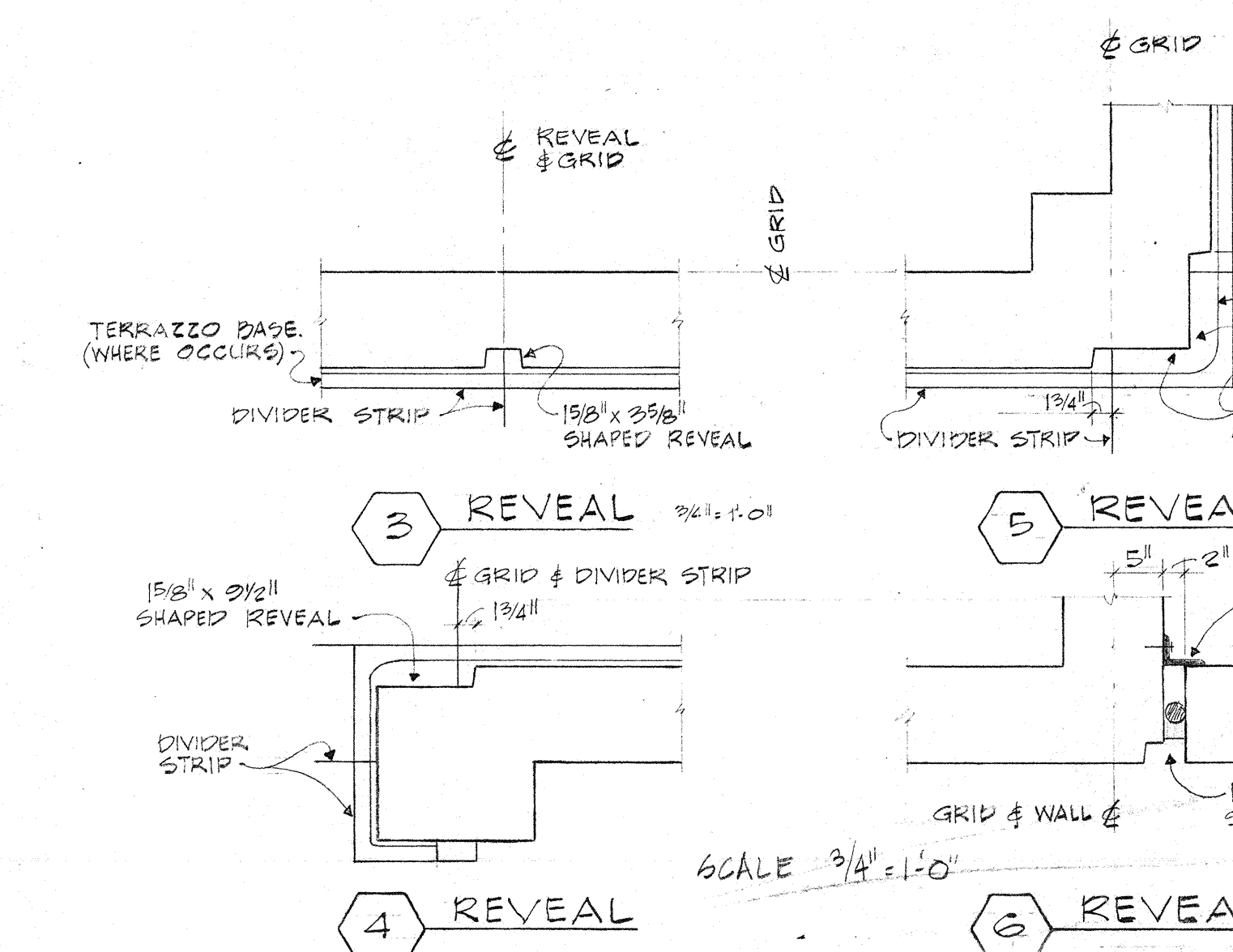
NOTE:
 PRIOR TO FABRICATION CONTRACTOR TO SUBMIT SHOP DRAWINGS FOR DOOR JAMBS &
 TRANSOM CONNECTIONS AND DETAILS TOGETHER WITH DESIGN CALCULATIONS
 BY A REGISTERED ENGINEER FOR APPROVAL BY ARCHITECT AND FOR HIS SUB-
 MISSION TO OFFICE OF ARCHITECTURE AND CONSTRUCTION FOR APPROVAL.



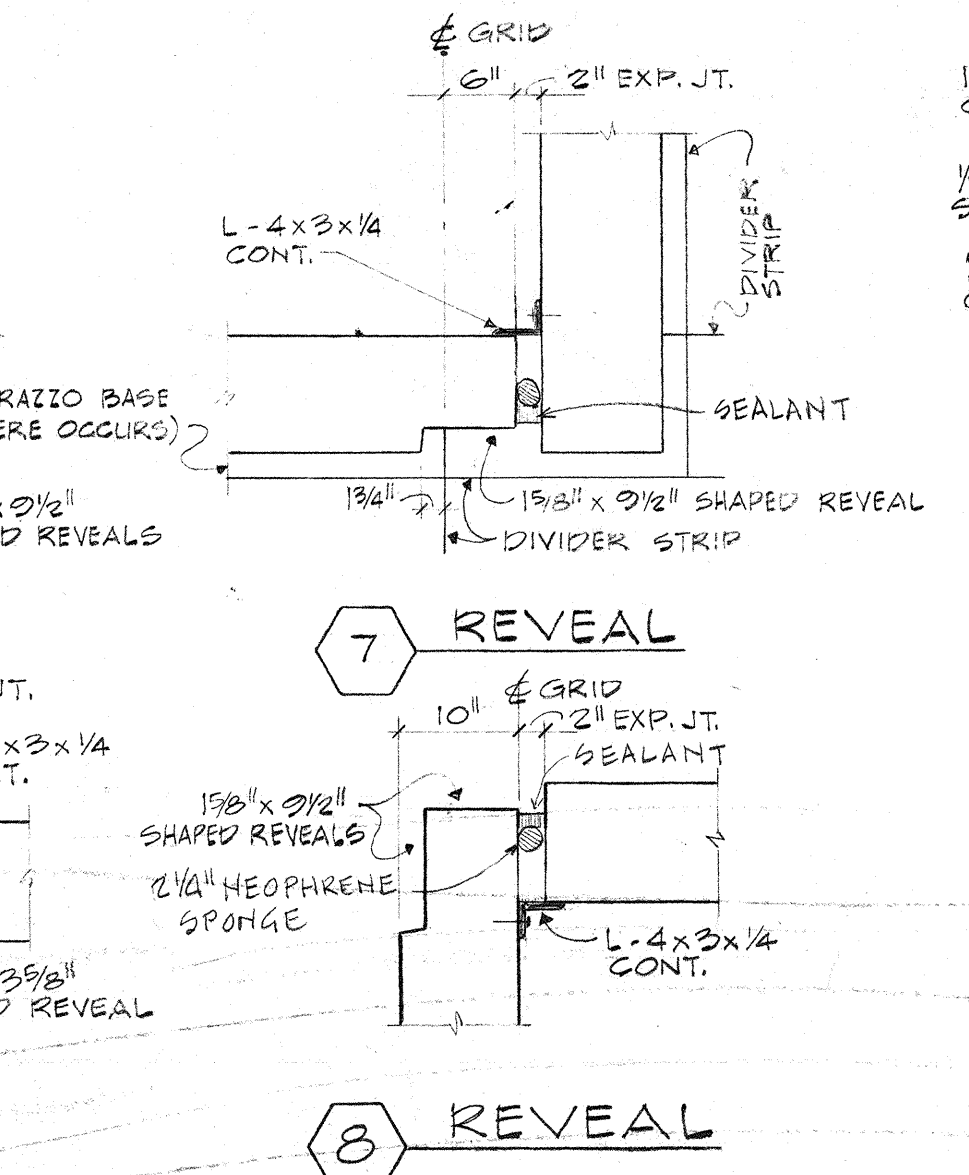
A.201 LOBBY



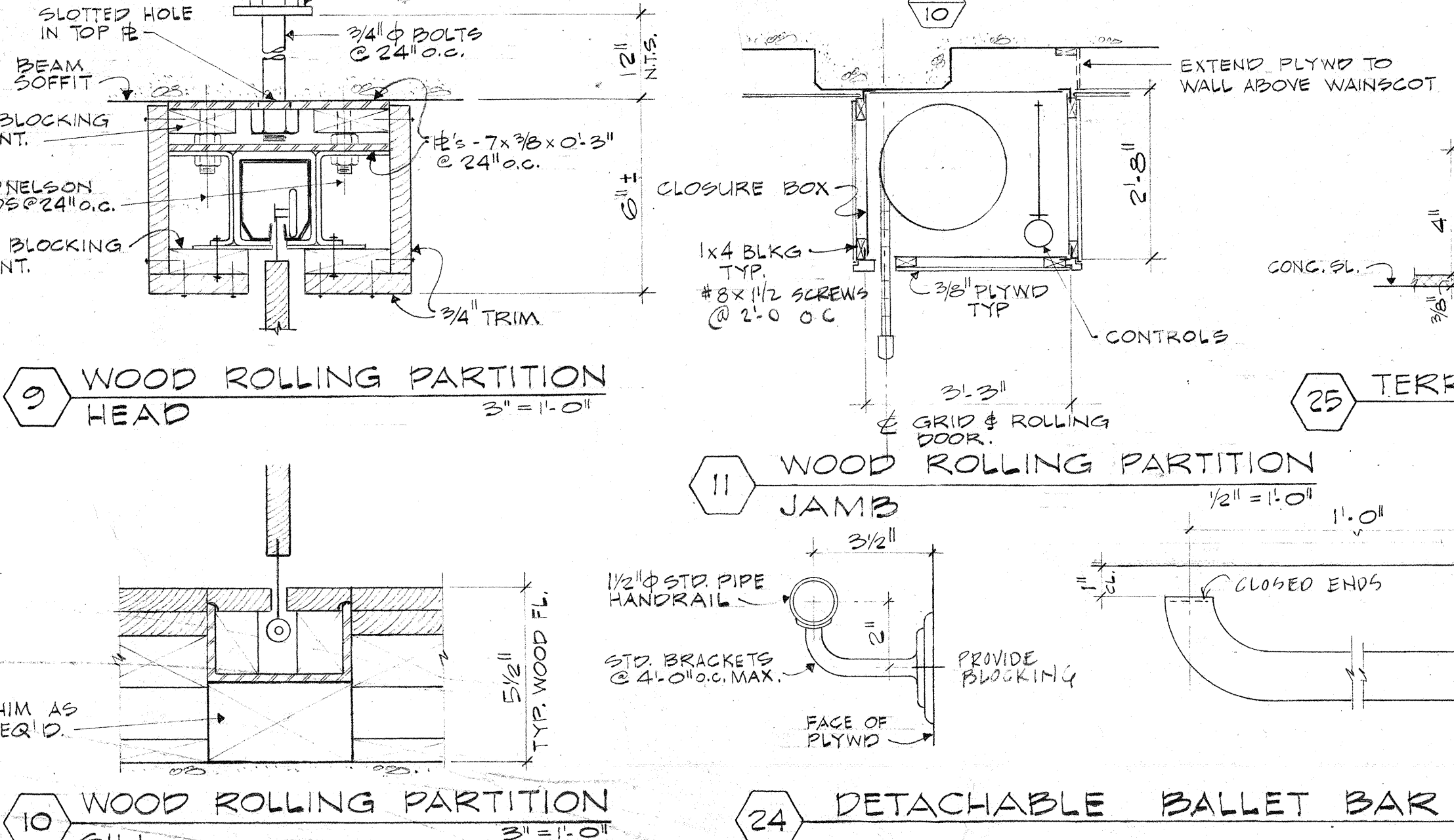
A.201 4



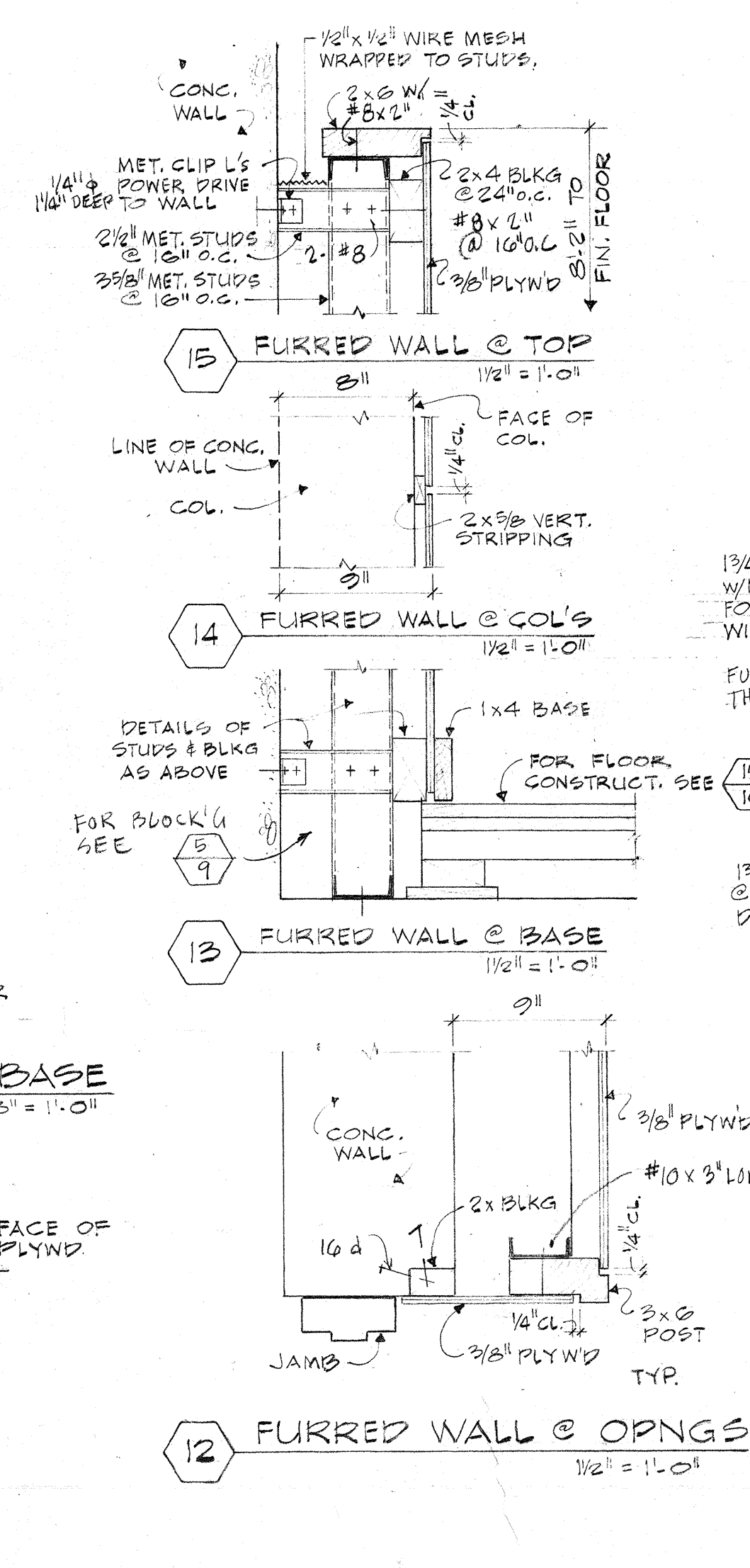
3 REVEAL
 4 REVEAL
 5 REVEAL
 6 REVEAL



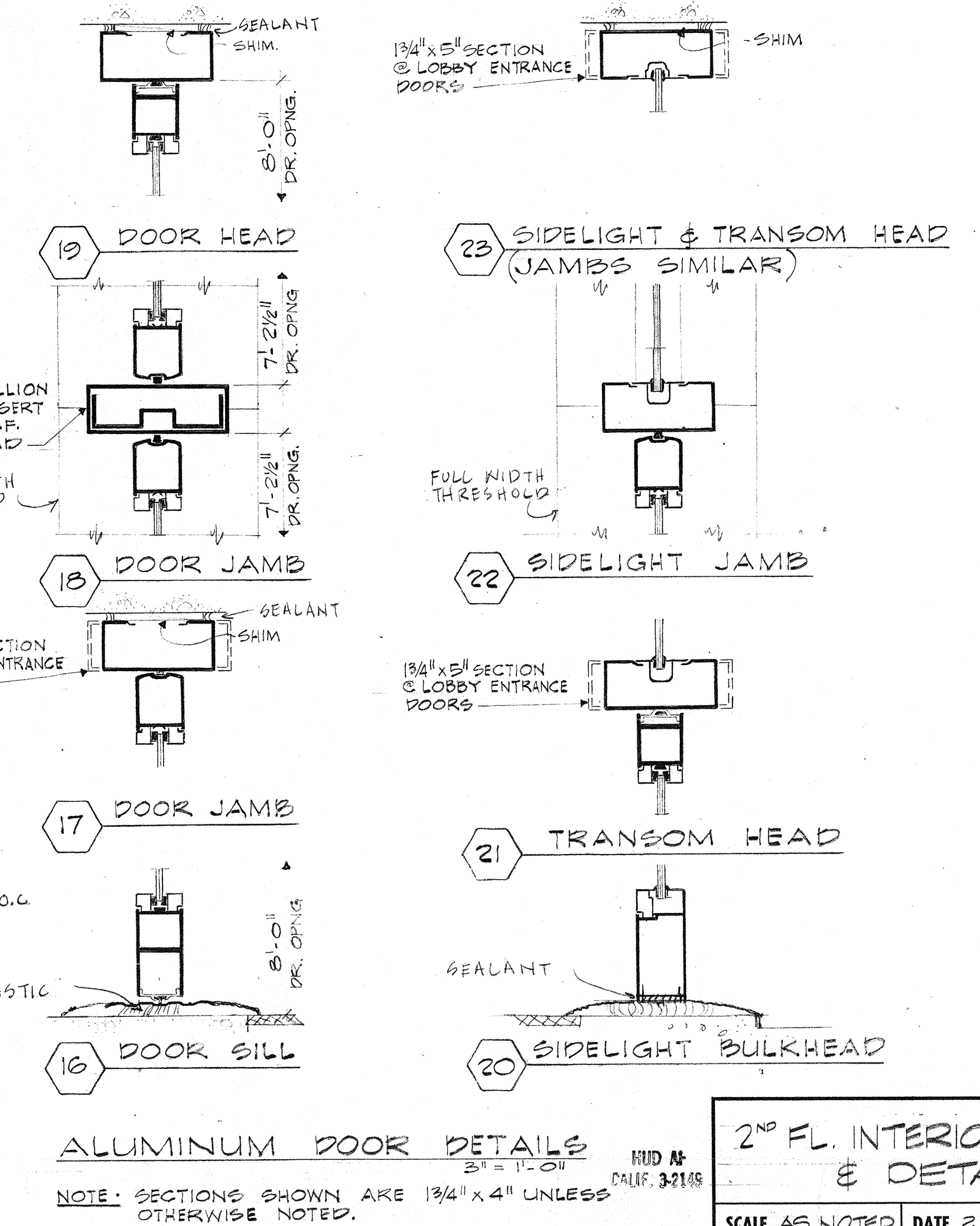
3 WOOD ROLLING PARTITION HEAD
 11 WOOD ROLLING PARTITION JAMB
 10 WOOD ROLLING PARTITION SILL



11 WOOD ROLLING PARTITION JAMB
 25 TERRAZZO BASE
 24 DETACHABLE BALLETT BAR



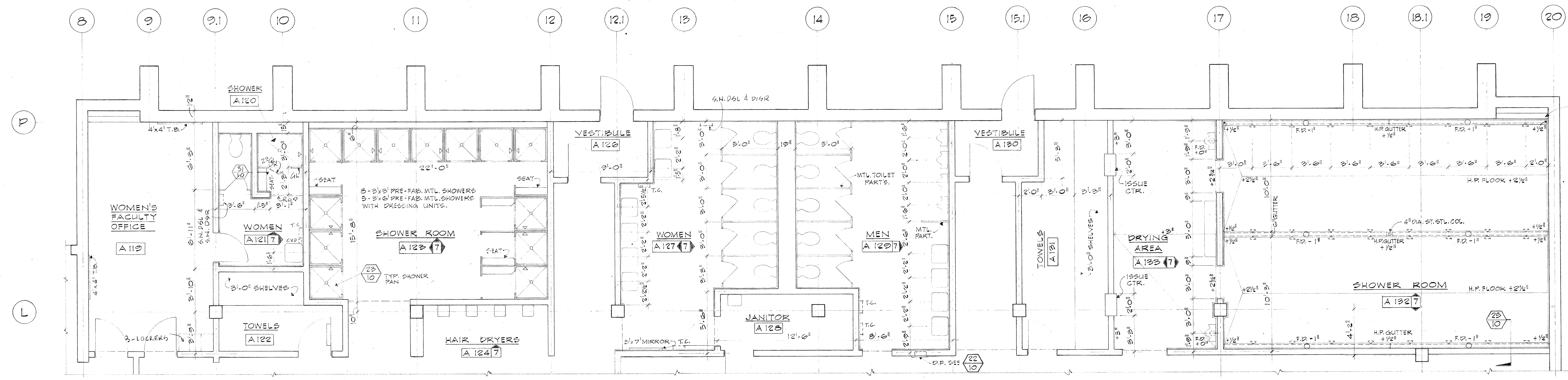
15 FURRED WALL @ TOP
 14 FURRED WALL @ COL'S
 13 FURRED WALL @ BASE
 12 FURRED WALL @ OPNGS



19 DOOR HEAD
 18 DOOR JAMB
 17 DOOR JAMB
 16 DOOR SILL
 23 SIDELIGHT & TRANSOM HEAD (JAMBS SIMILAR)
 22 SIDELIGHT JAMB
 21 TRANSOM HEAD
 20 SIDELIGHT BULKHEAD

ALUMINUM DOOR DETAILS
 NOTE: SECTIONS SHOWN ARE 1 3/4" x 4" UNLESS OTHERWISE NOTED.
 SCALE AS NOTED DATE 2-20-67 JOB NO. 5490

2ND FL. INTERIOR ELEVATIONS & DETAILS



FIRST FLOOR PART PLAN. SHOWER ROOMS AND TOILETS
SCALE: 1/4" = 1'-0"

NOTE: CONC. CURBS 4" HIGH UNDER ALL PARTITIONS RM'S A123, 127, 128, 129, 131, 132, 133

NOTE: ELEVATIONS STATED THIS: +2'0" ETC. ARE WITH REFERENCE TO FIN. FL. AT DATUM E.O.C. TOP OF COLLECT. SL. 15 AT EL. -2'6"

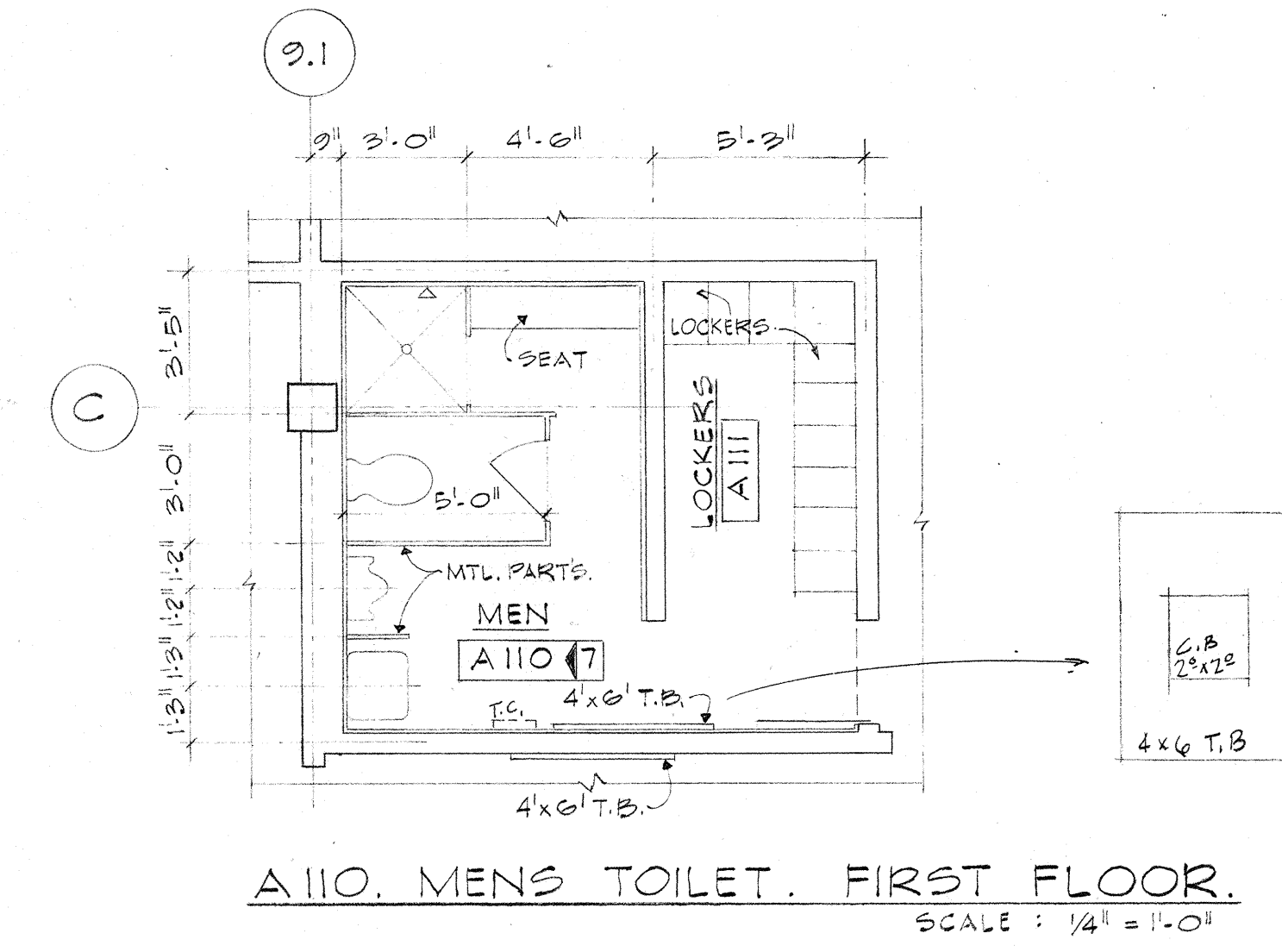
JOHN A. BLUME & ASSOC., ENGINEERS
CIVIL & STRUCTURAL ENGINEERS
KELLER & GARNON
MECHANICAL & ELECTRICAL ENGINEERS
DOUGLAS BAUTIST
LANDSCAPE ARCHITECT
SAN FRANCISCO, CALIFORNIA

WELTON BECKETT AND ASSOCIATES
ARCHITECTS
153 MAIDEN LANE, SAN FRANCISCO, CALIFORNIA

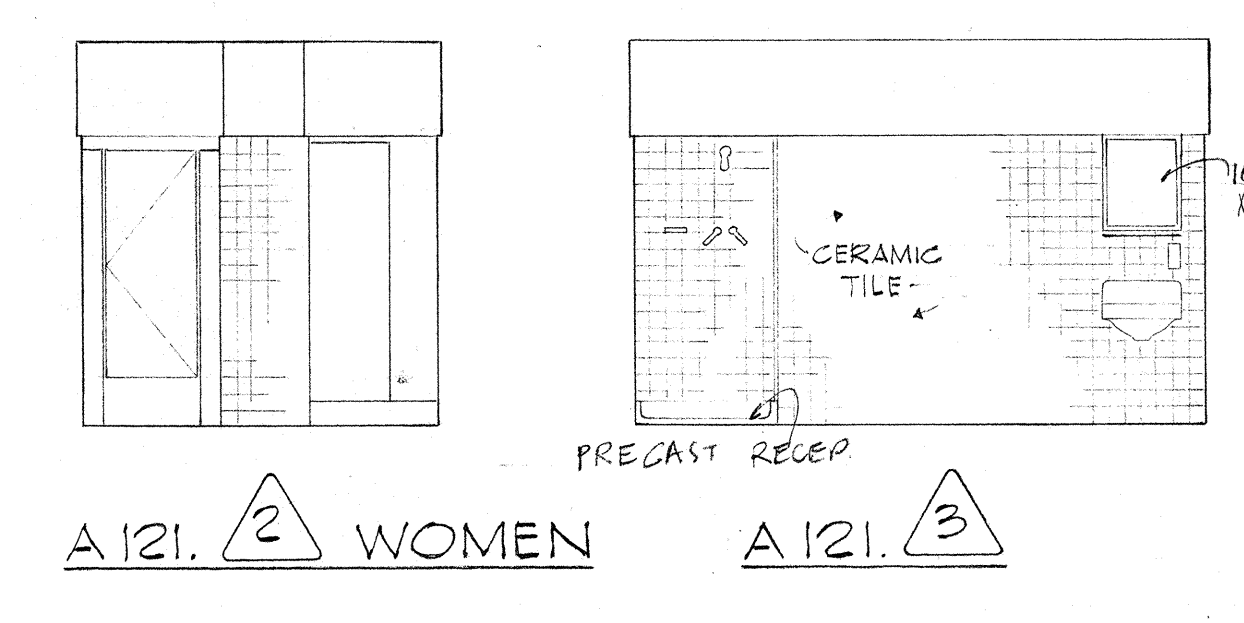
WELTON BECKETT AND ASSOCIATES — CHAN/RADER AND ASSOCIATES
ARCHITECTS
153 MAIDEN LANE, SAN FRANCISCO, CALIFORNIA

SAN MATEO JUNIOR COLLEGE DISTRICT
SOUTH CAMPUS
REDWOOD CITY, CALIFORNIA

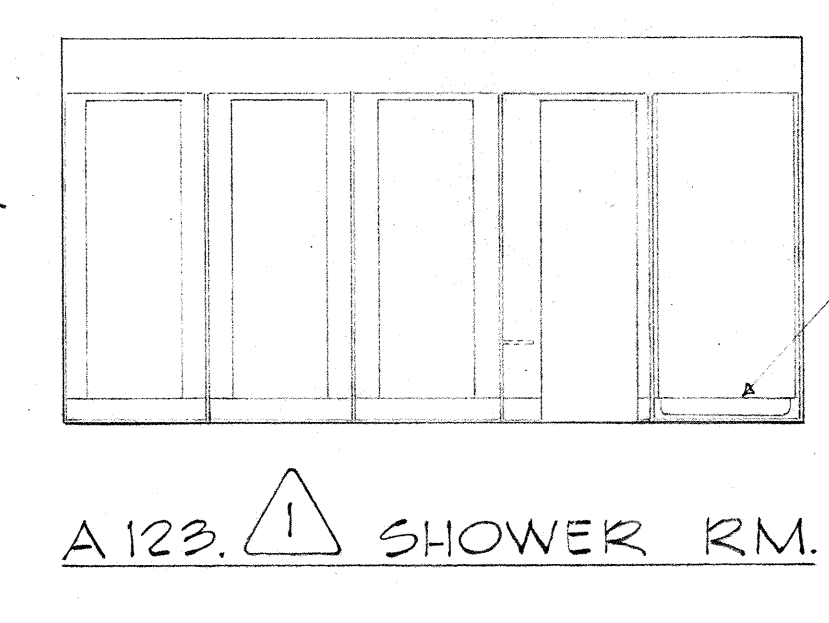
WALTER V. PASARICO
JULIO L. BORGHEZIO
SAN MATEO JUNIOR COLLEGE DISTRICT



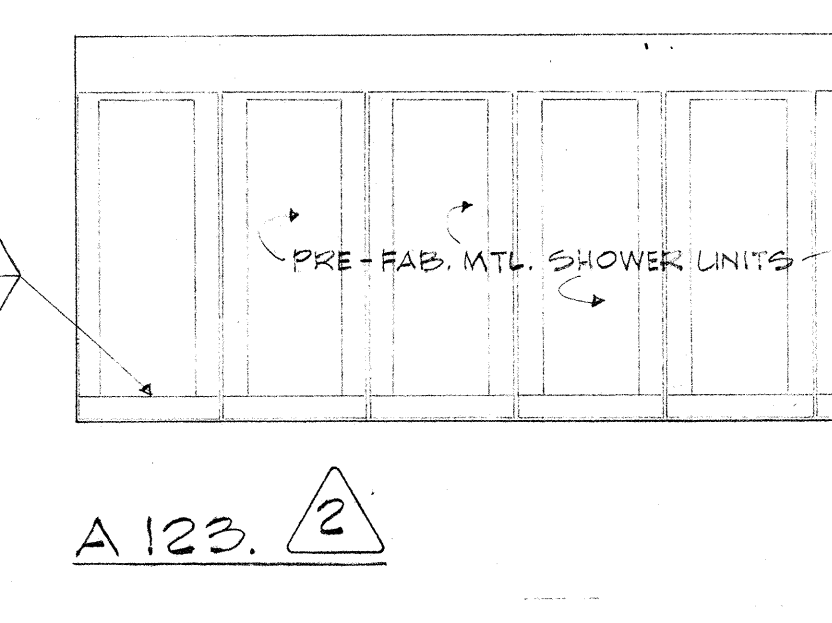
A110. MENS TOILET. FIRST FLOOR.
SCALE: 1/4" = 1'-0"



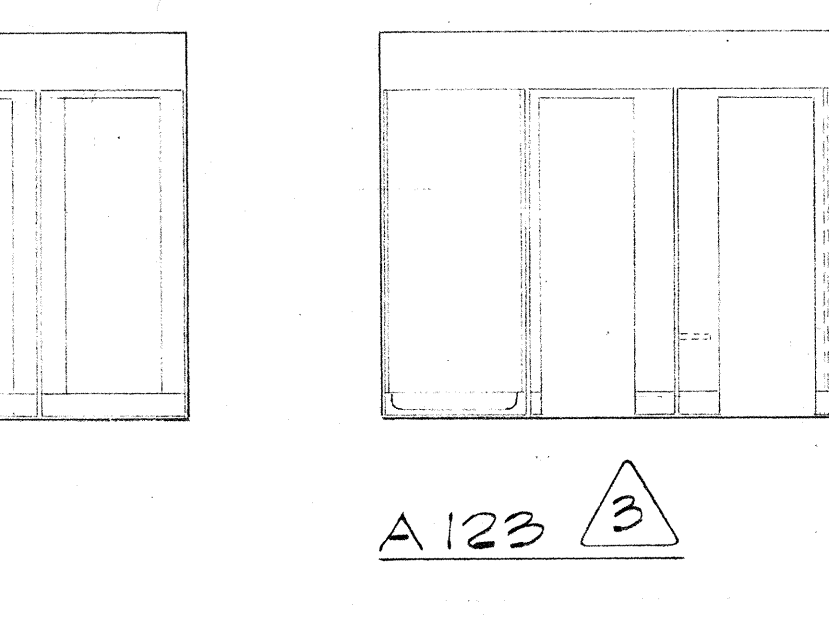
A121. WOMEN



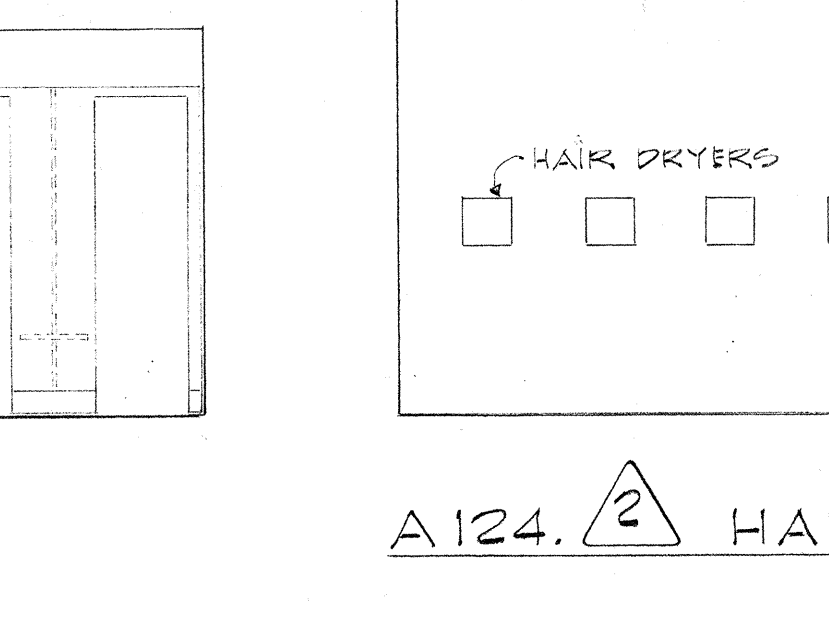
A122. SHOWER RM.



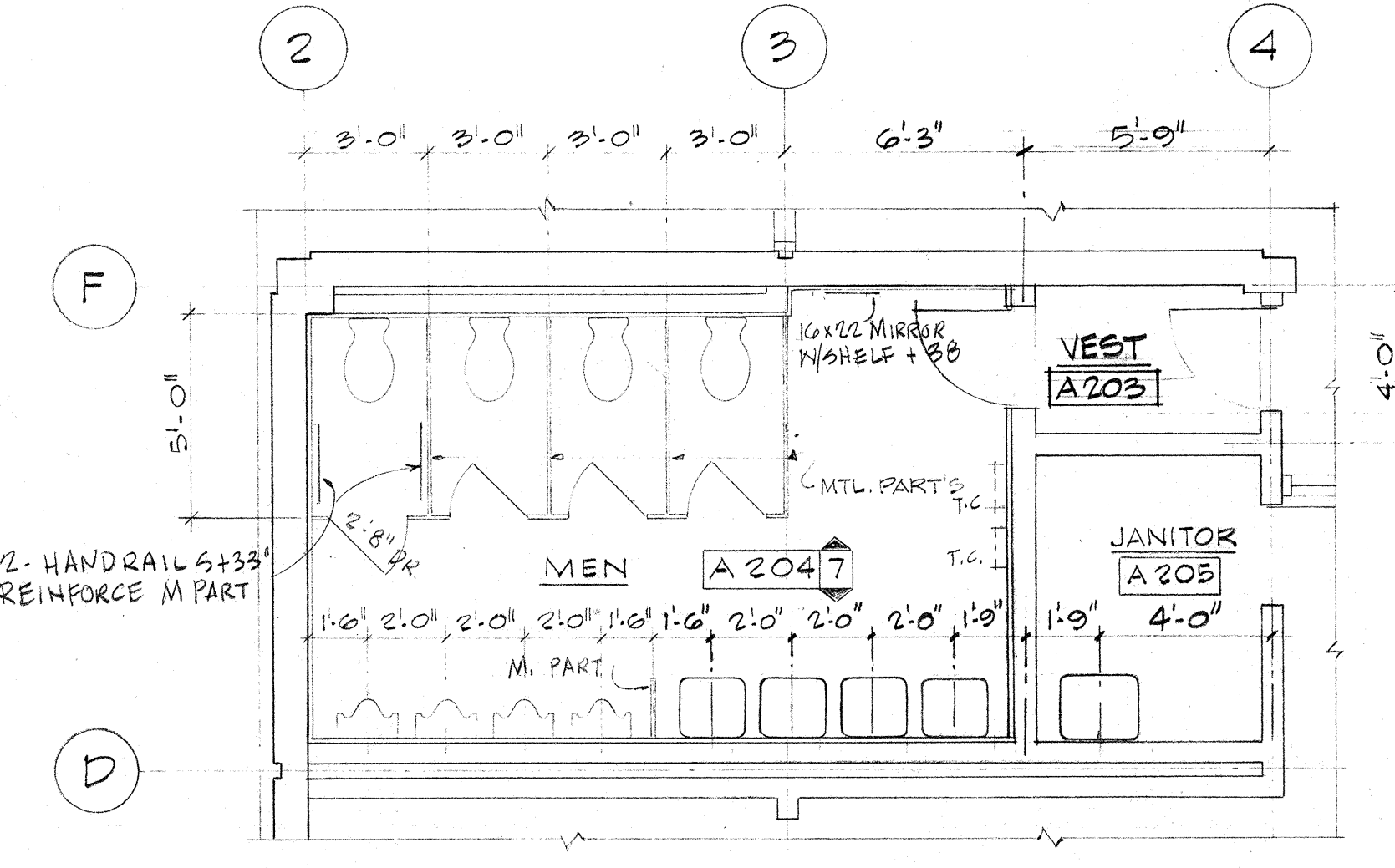
A123. SHOWER RM.



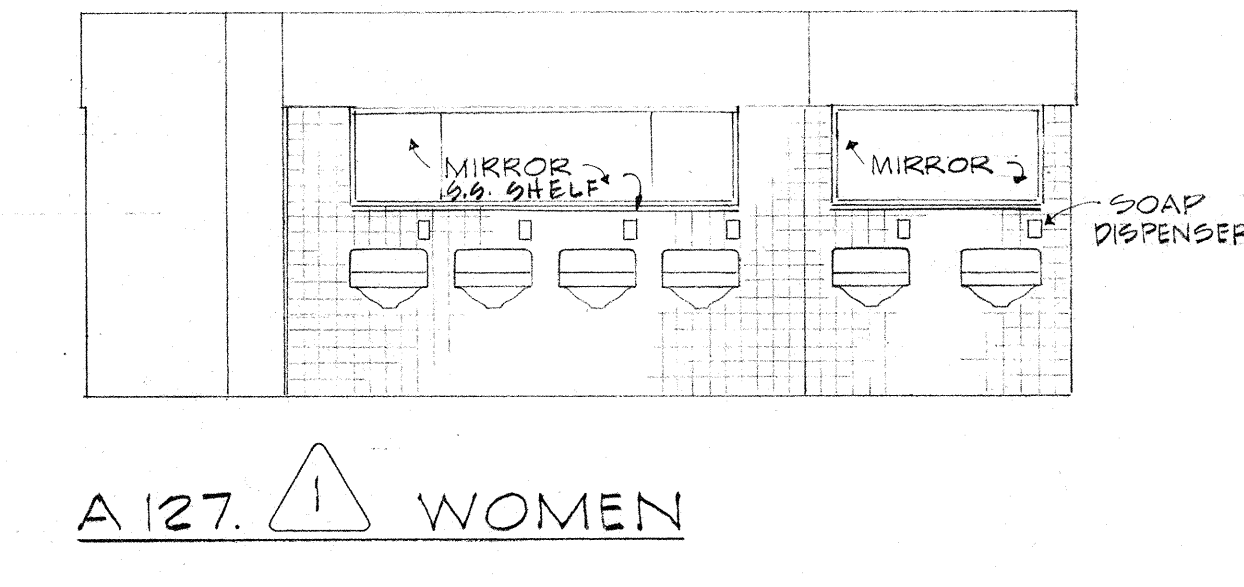
A123. SHOWER RM.



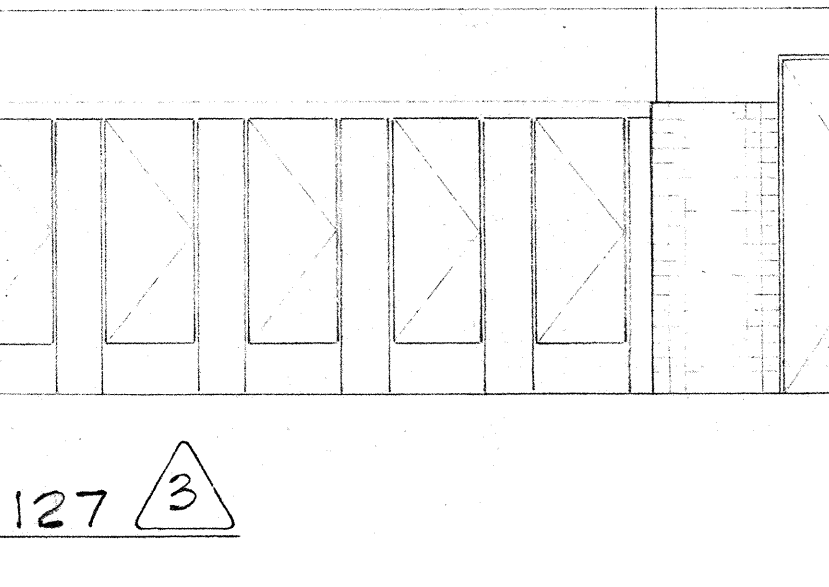
A124. HAIR DRYERS



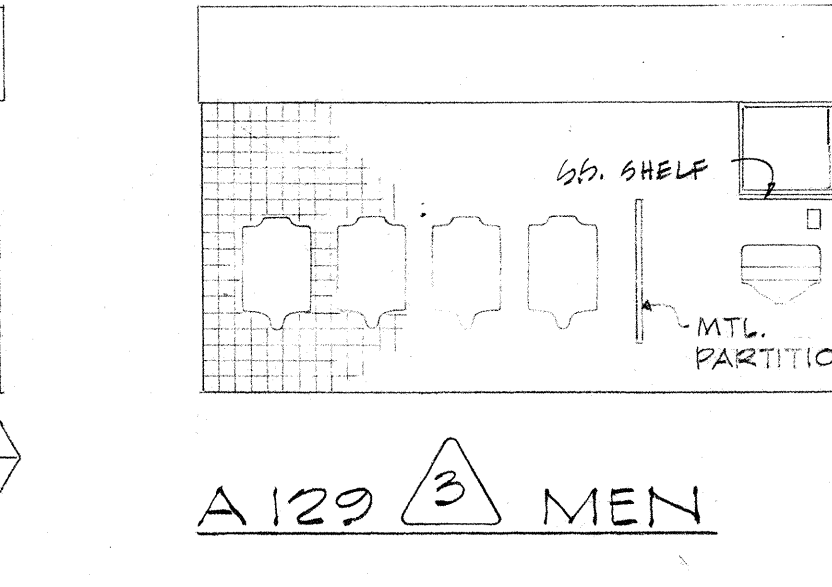
A204. MENS TOILETS. SECOND FLOOR
SCALE: 1/4" = 1'-0"



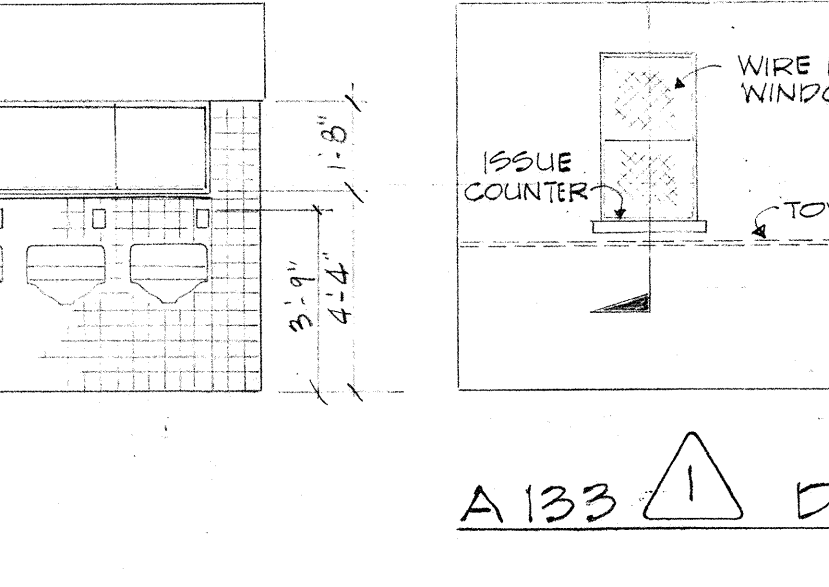
A127. WOMEN



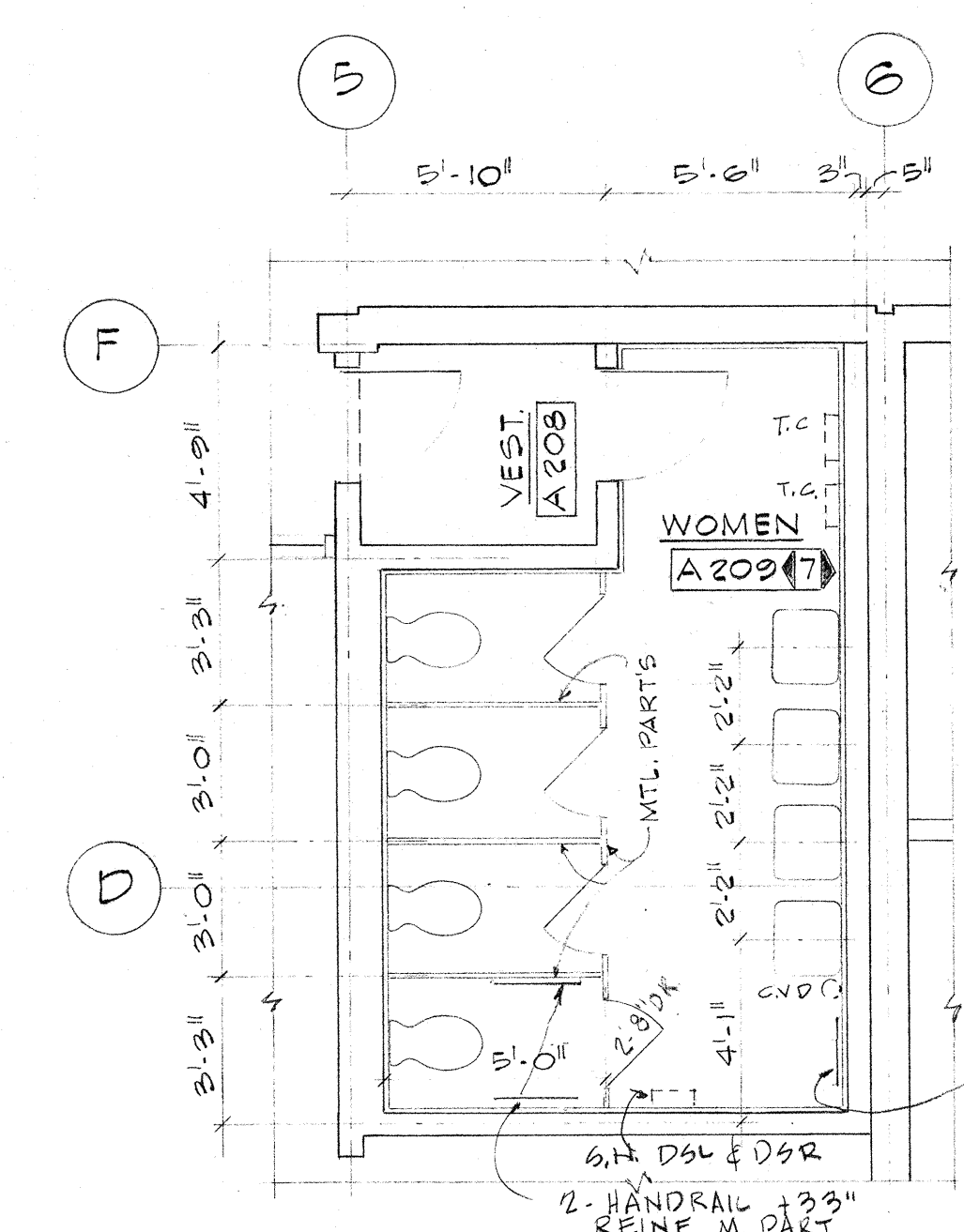
A127. WOMEN



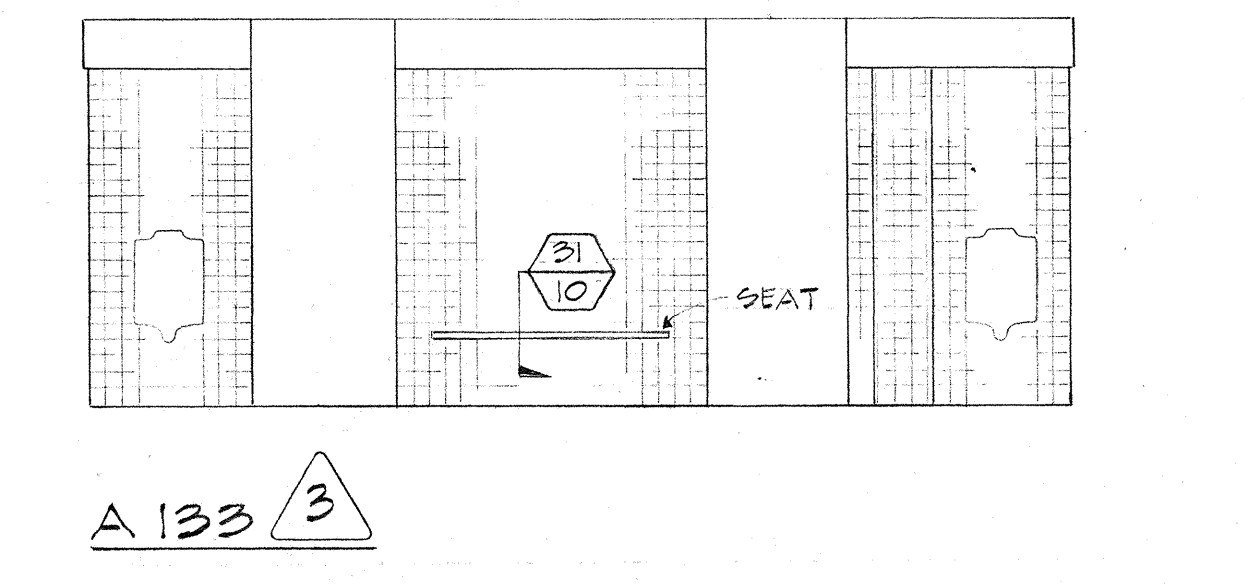
A129. MEN



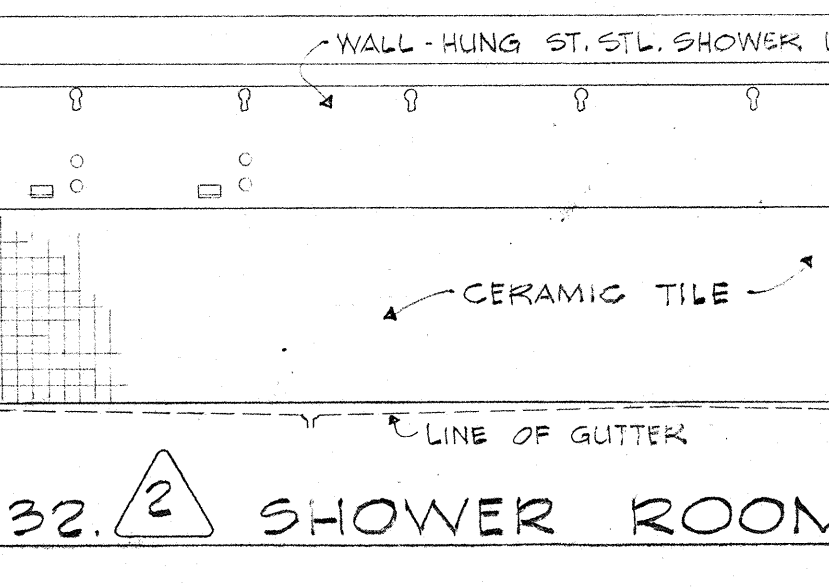
A133. DRYING AREA



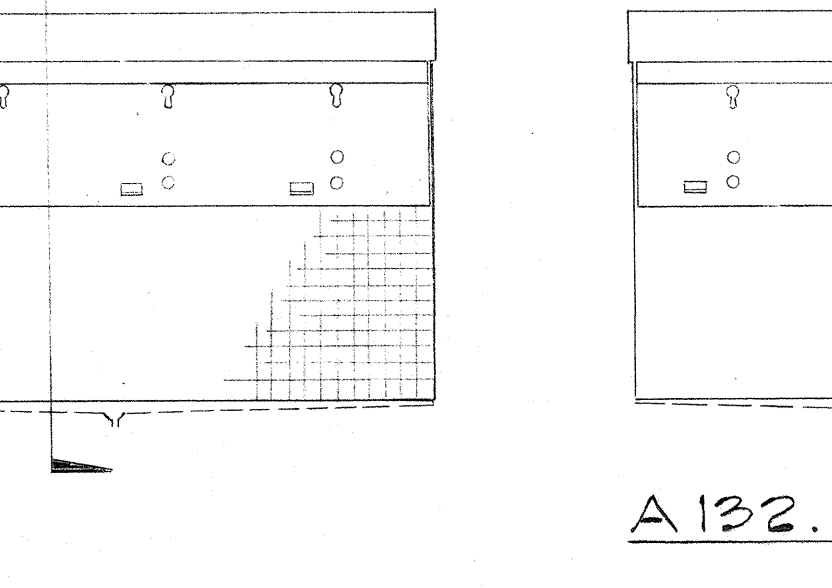
A209. WOMENS TOILETS. SECOND FLOOR.
SCALE: 1/4" = 1'-0"



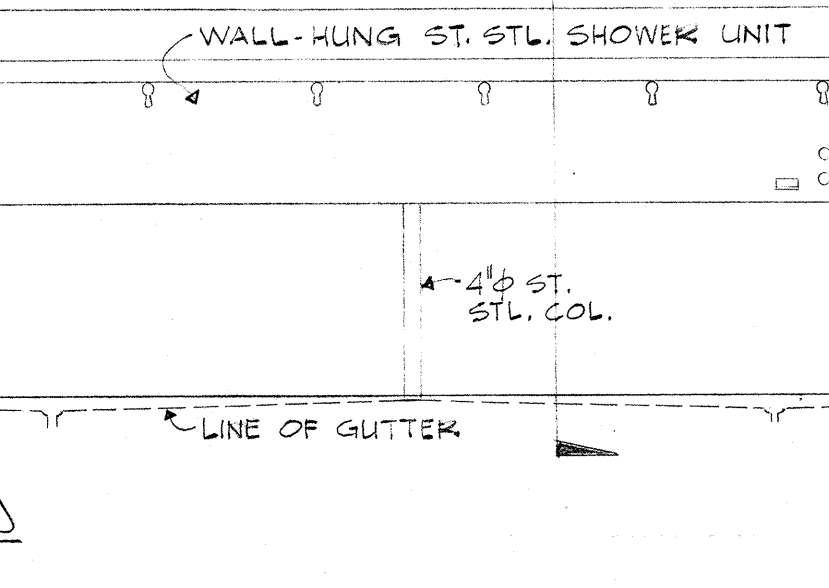
A132. SHOWER ROOM.



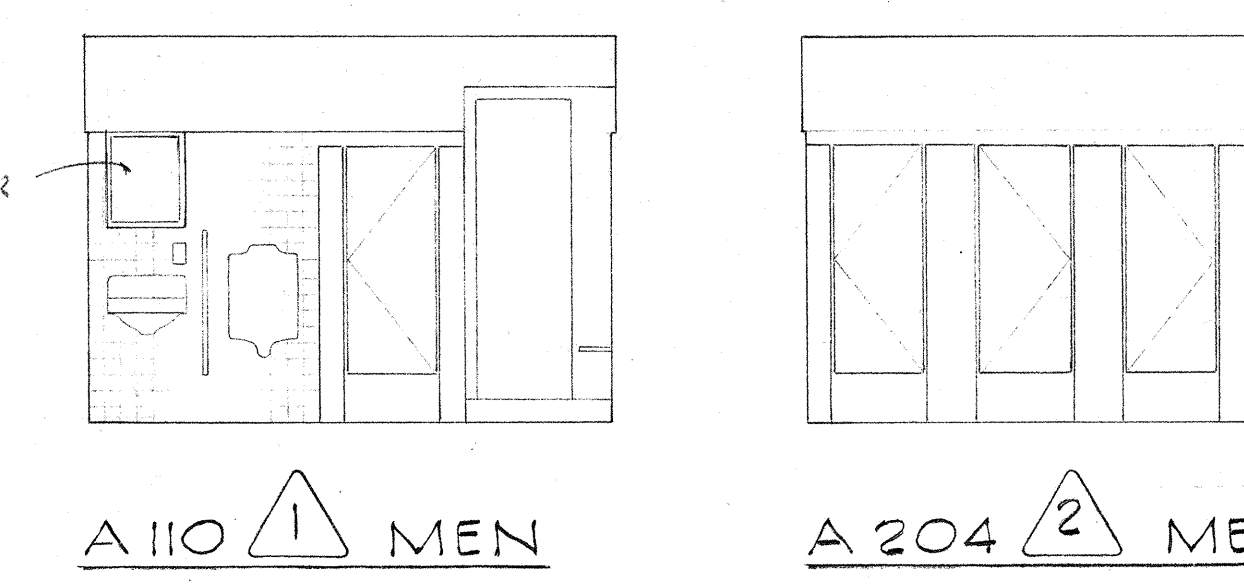
A132. SHOWER ROOM.



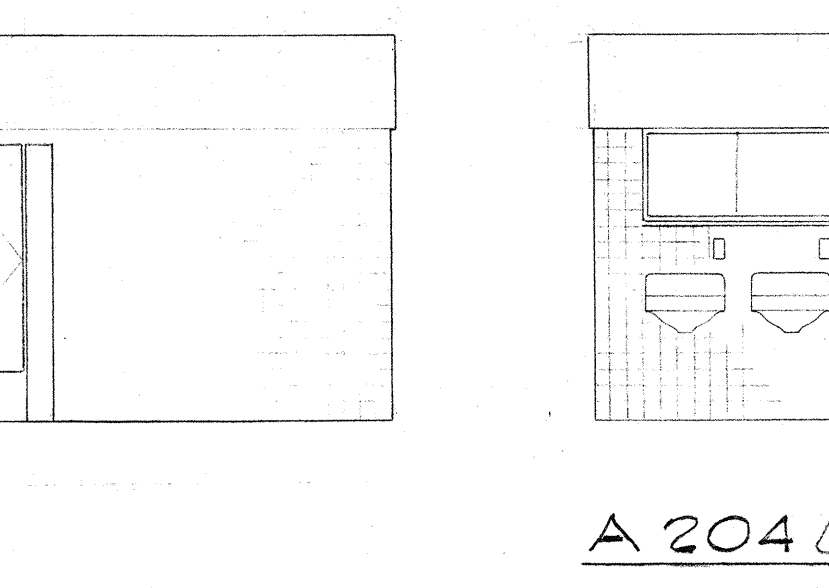
A132. SHOWER ROOM.



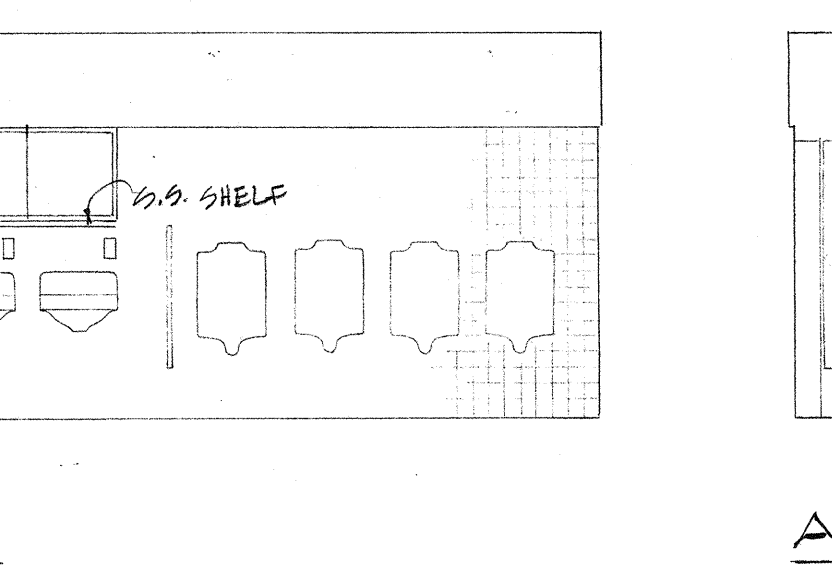
A132. SHOWER ROOM.



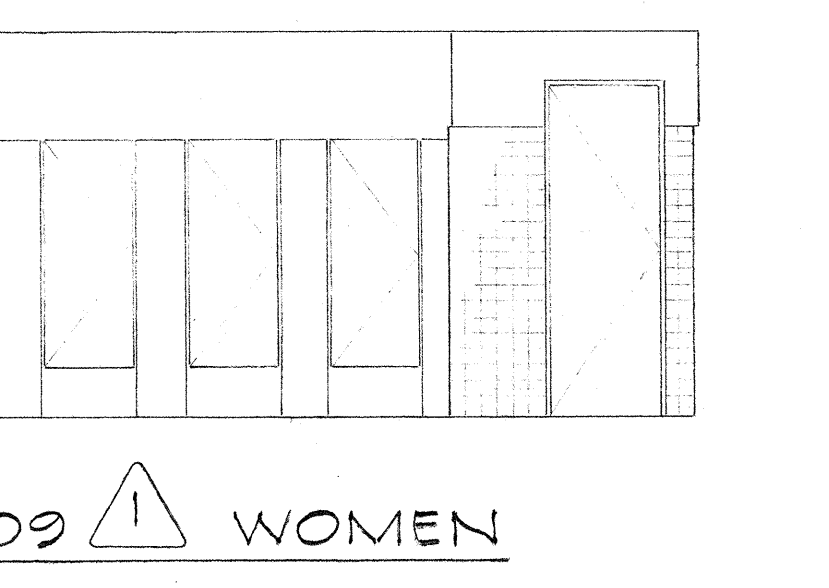
A110. MEN



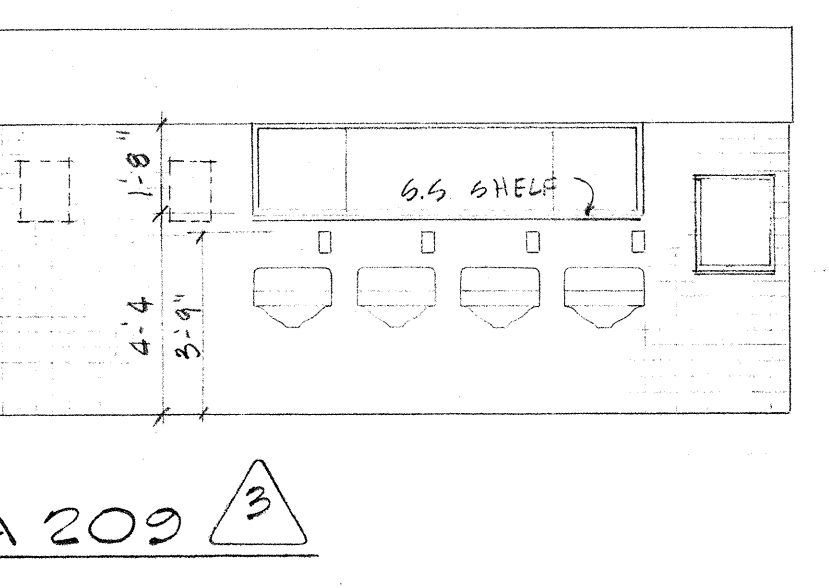
A204. MEN



A204. MEN

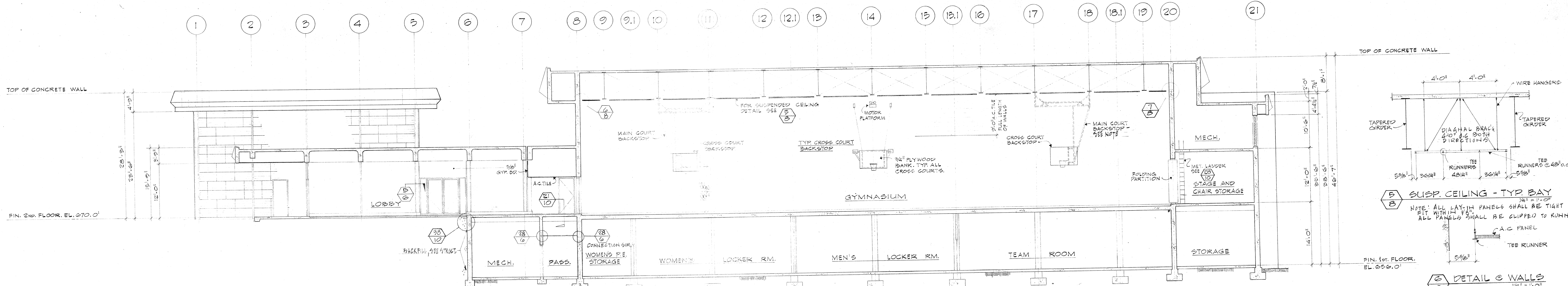


A209. WOMEN

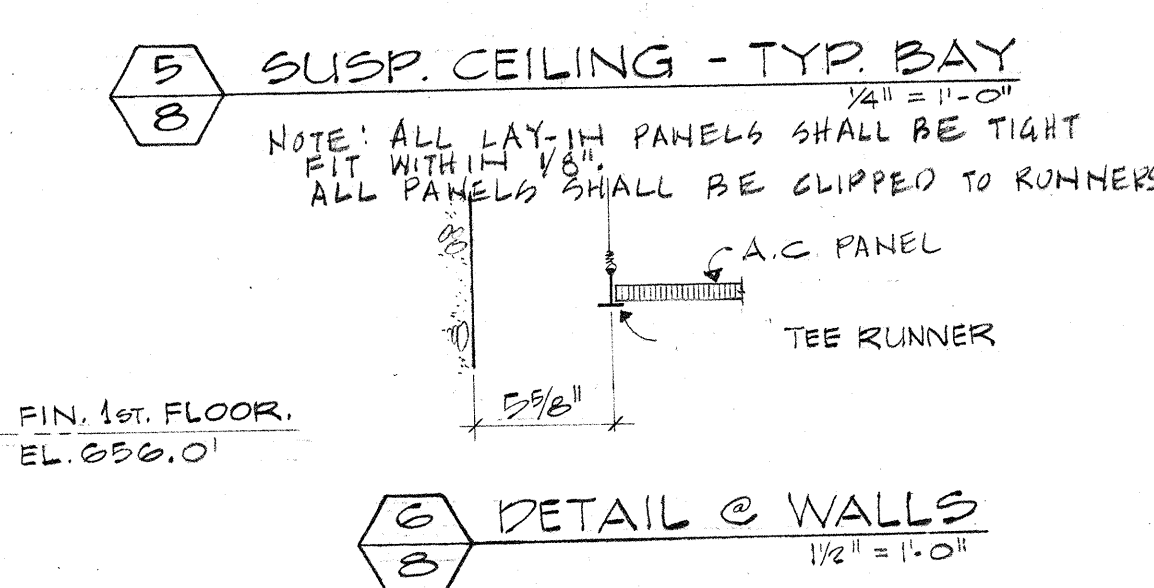


A209. WOMEN

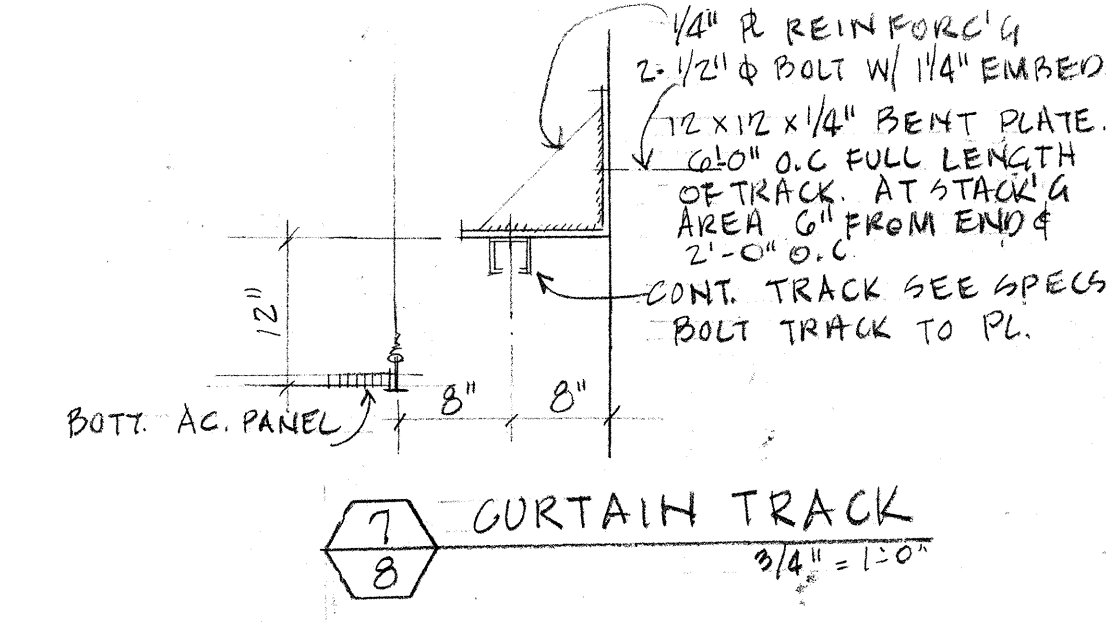
MOUNTING HEIGHTS (FLR TO LOWER LEDGE)
TOWEL CAB + 48"
SANITARY NAPKIN DISPOSAL (S.N.D.) + 15"
DISPENSER (S.N.D.) + 40"
CUP VENDING DEVICE (C.V.D.) + 48"



1 SECTION
8

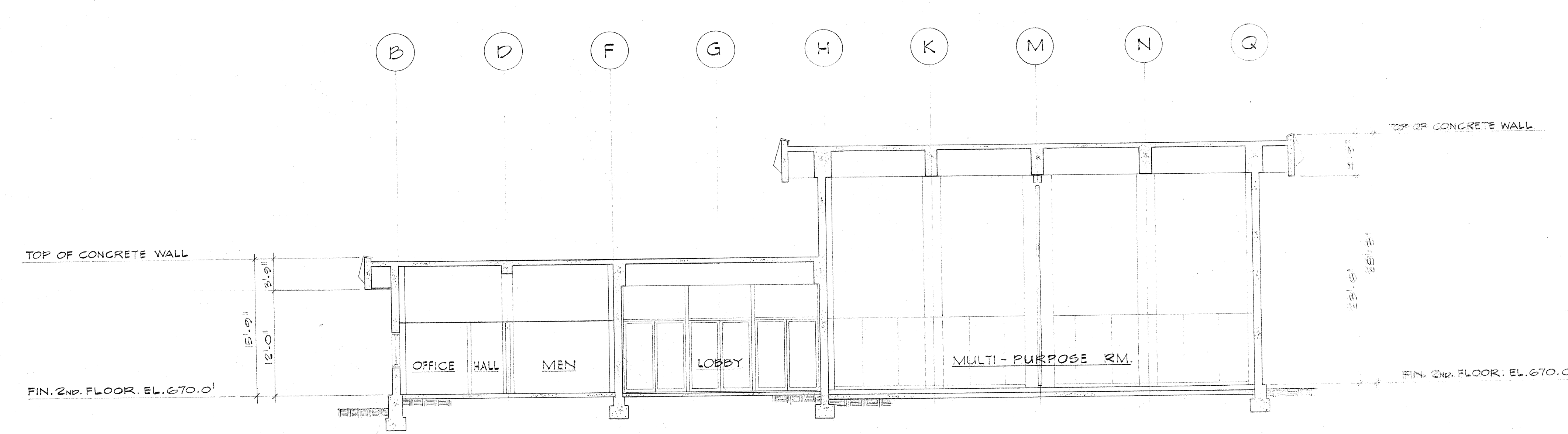


5 DETAIL @ WALLS
1/8" = 1'-0"

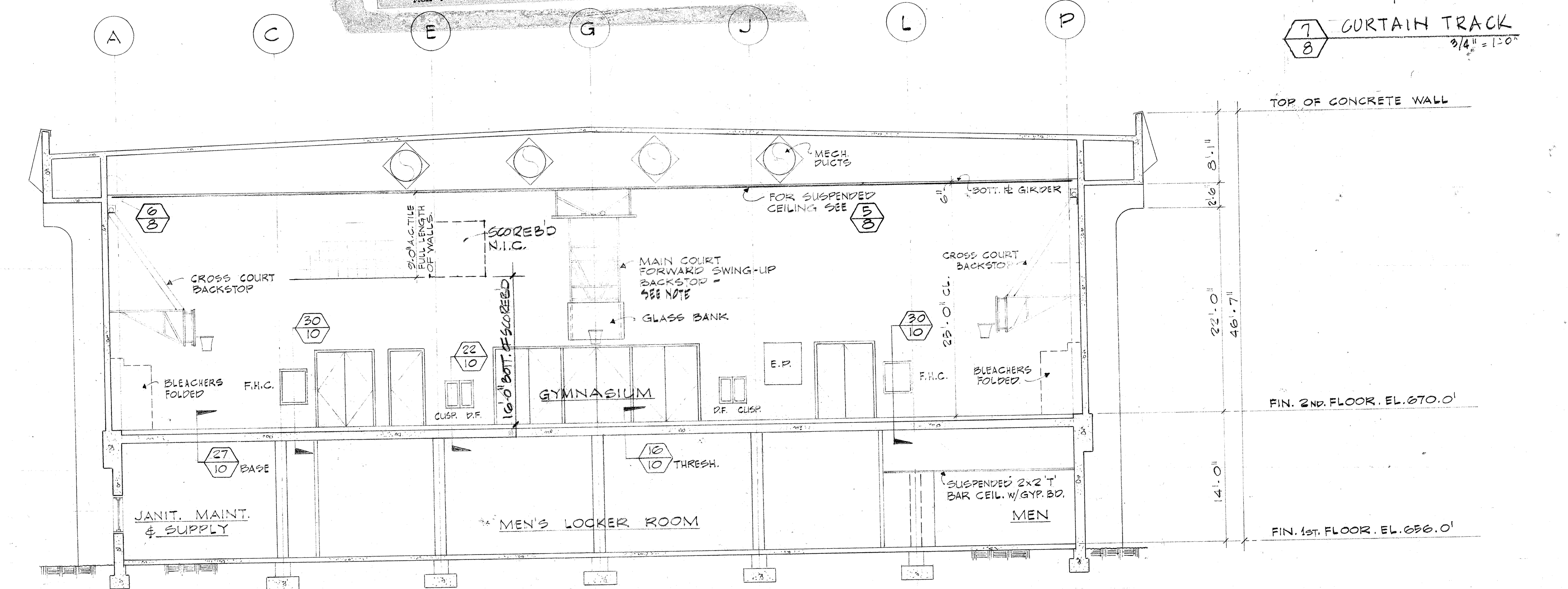


7 CURTAIN TRACK
3/16" = 1'-0"

Sheet 8: Building Section Detail 3:
Delete "Suspended 2 x 2 1/2\"/>

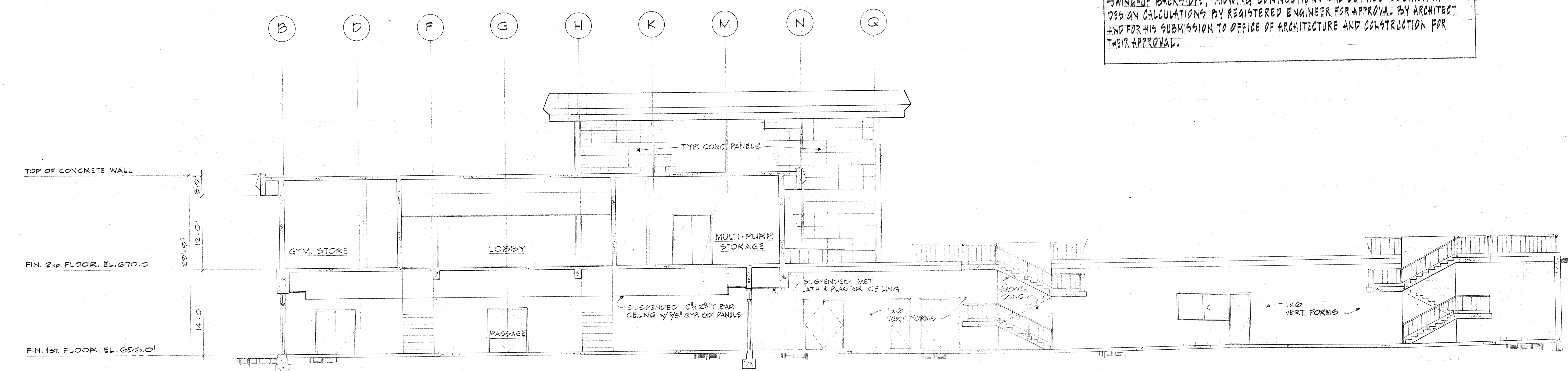


2 SECTION
8

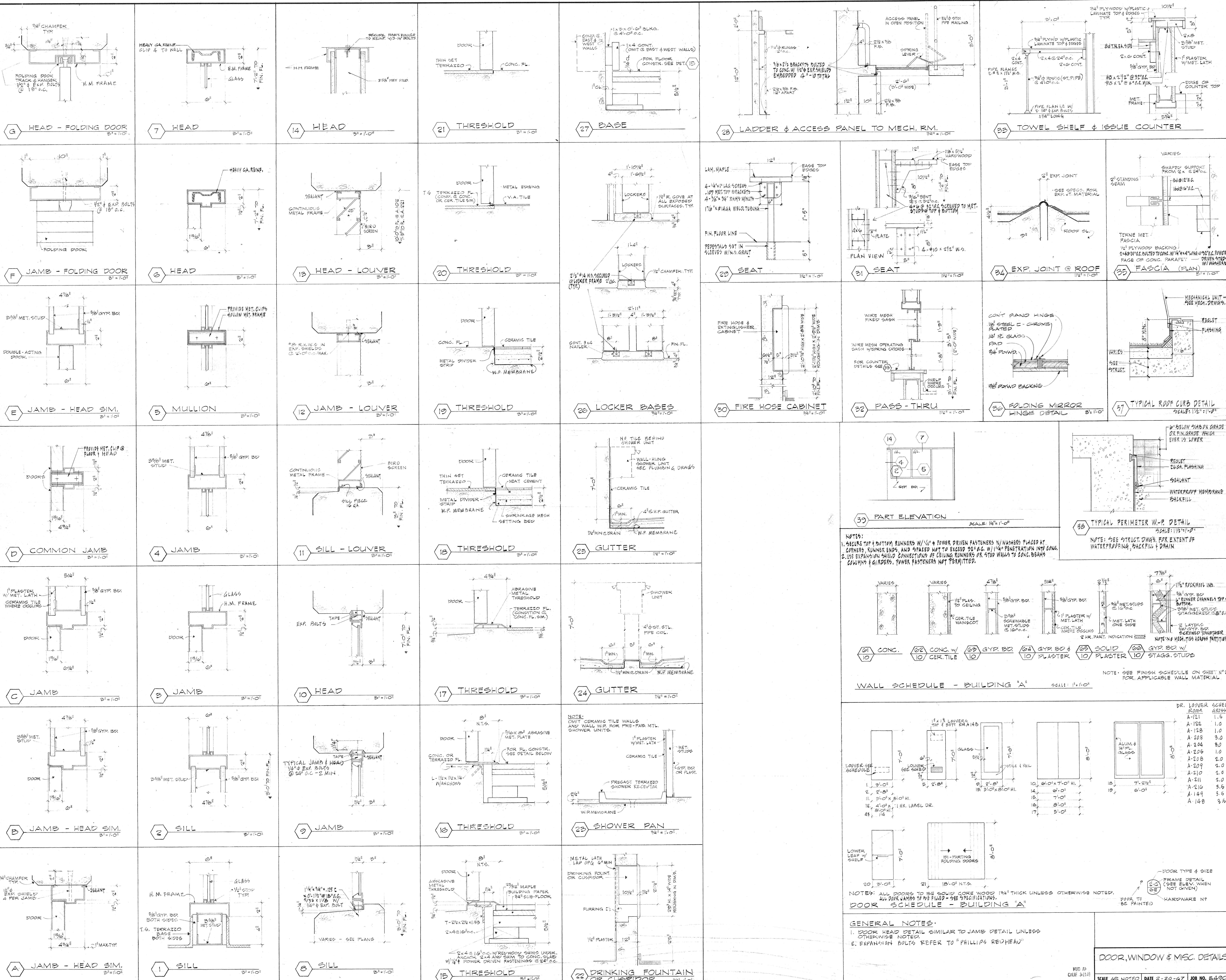


3 SECTION
8

NOTE:
PRIOR TO FABRICATION CONTRACTOR TO SUBMIT SHOP DRAWINGS FOR SWING-UP BACKSTOPS, SHOWING CONNECTIONS AND DETAILS TOGETHER W/ DESIGN CALCULATIONS BY REGISTERED ENGINEER FOR APPROVAL BY ARCHITECT AND FOR HIS SUBMISSION TO OFFICE OF ARCHITECTURE AND CONSTRUCTION FOR THEIR APPROVAL.

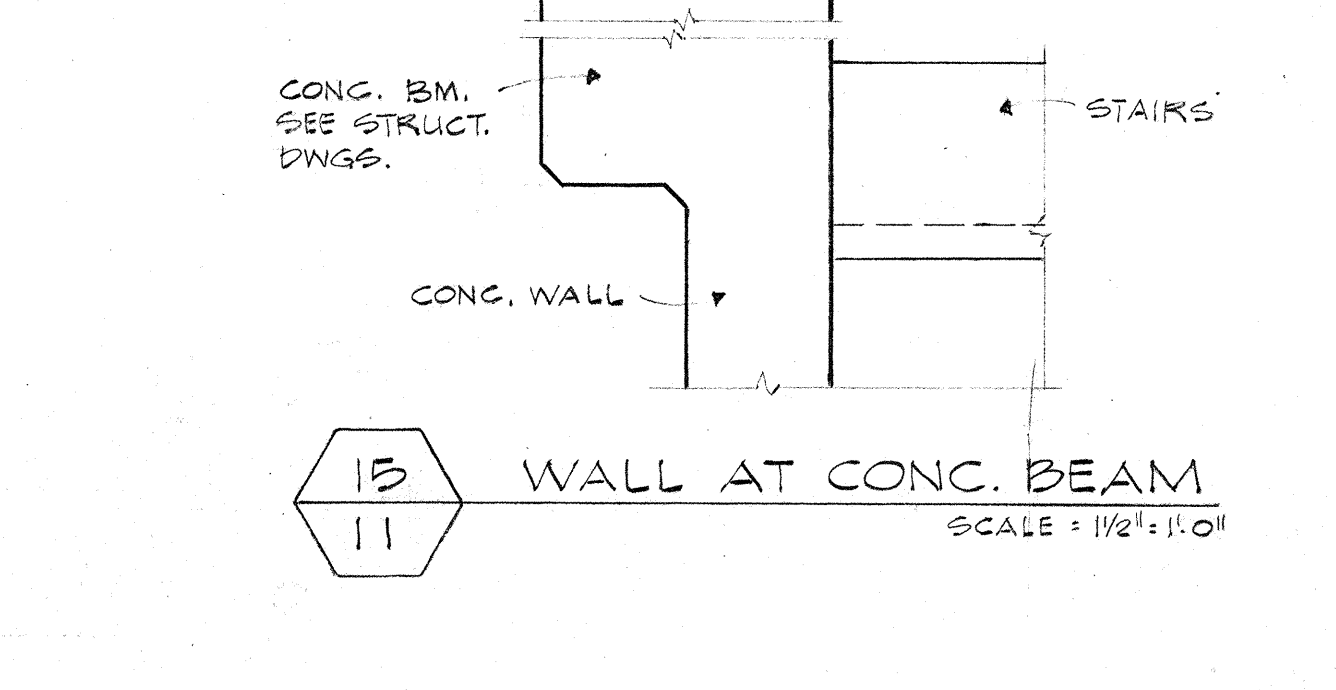
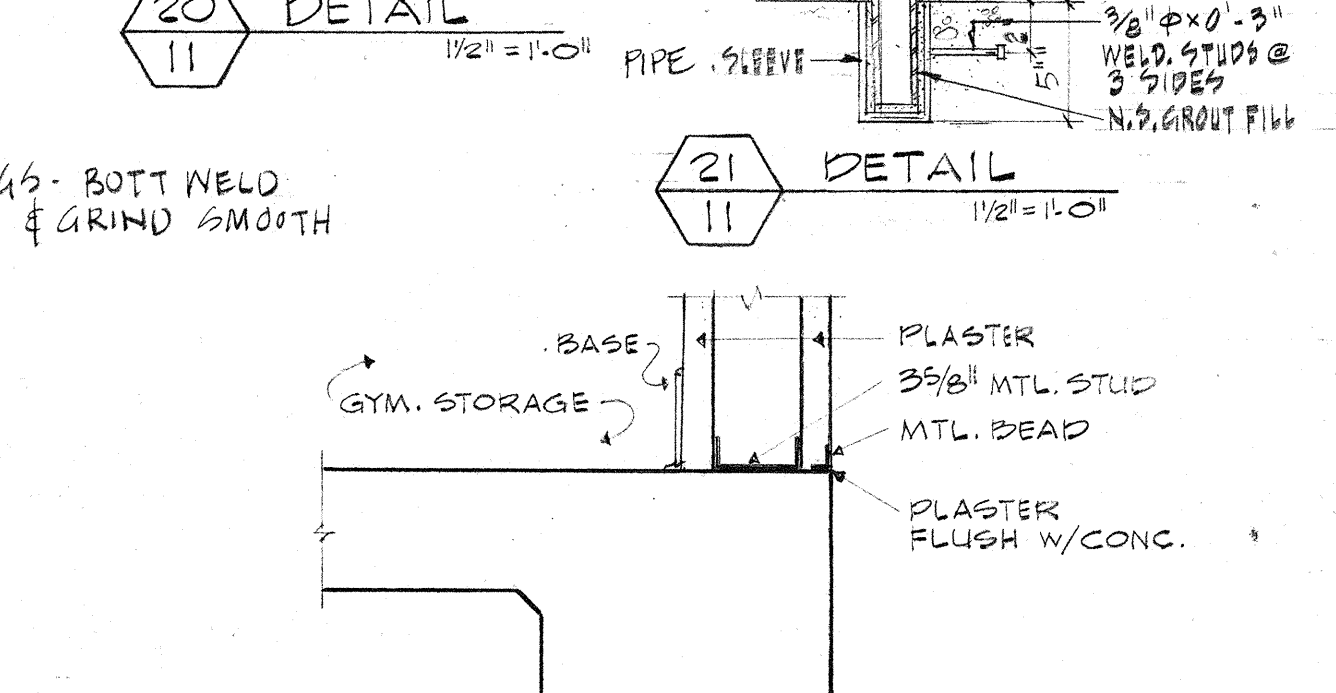
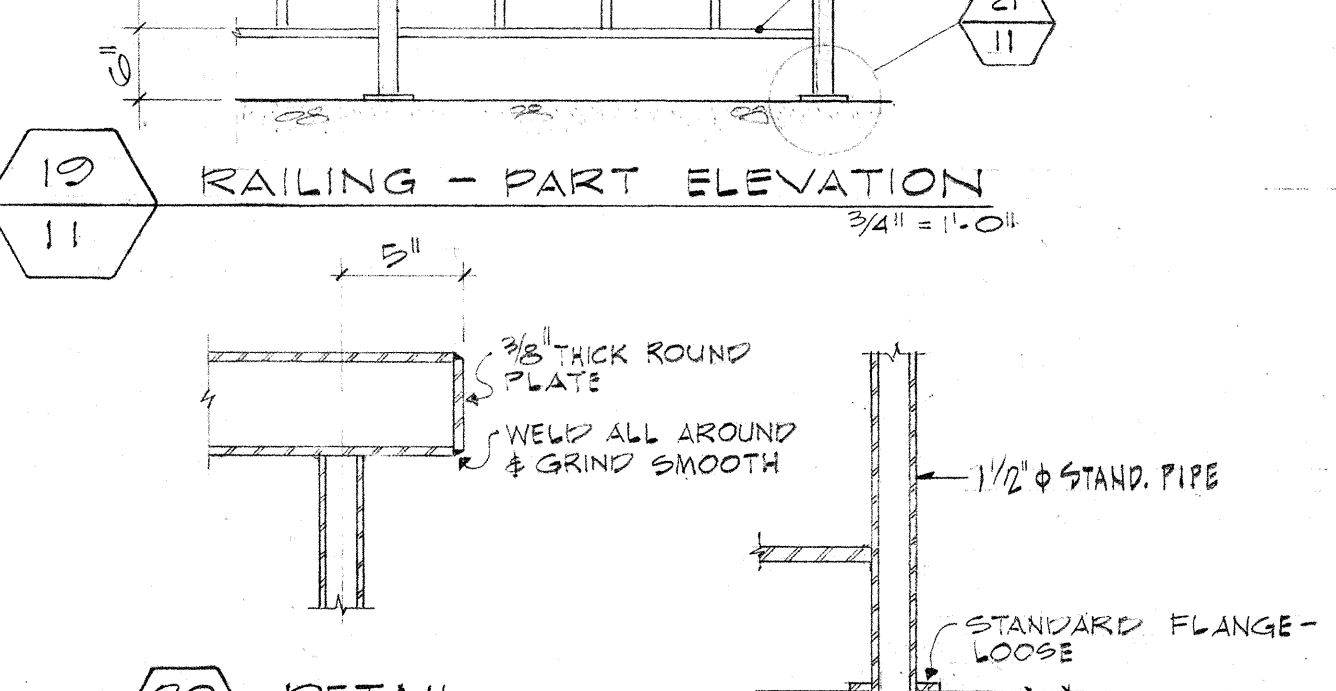
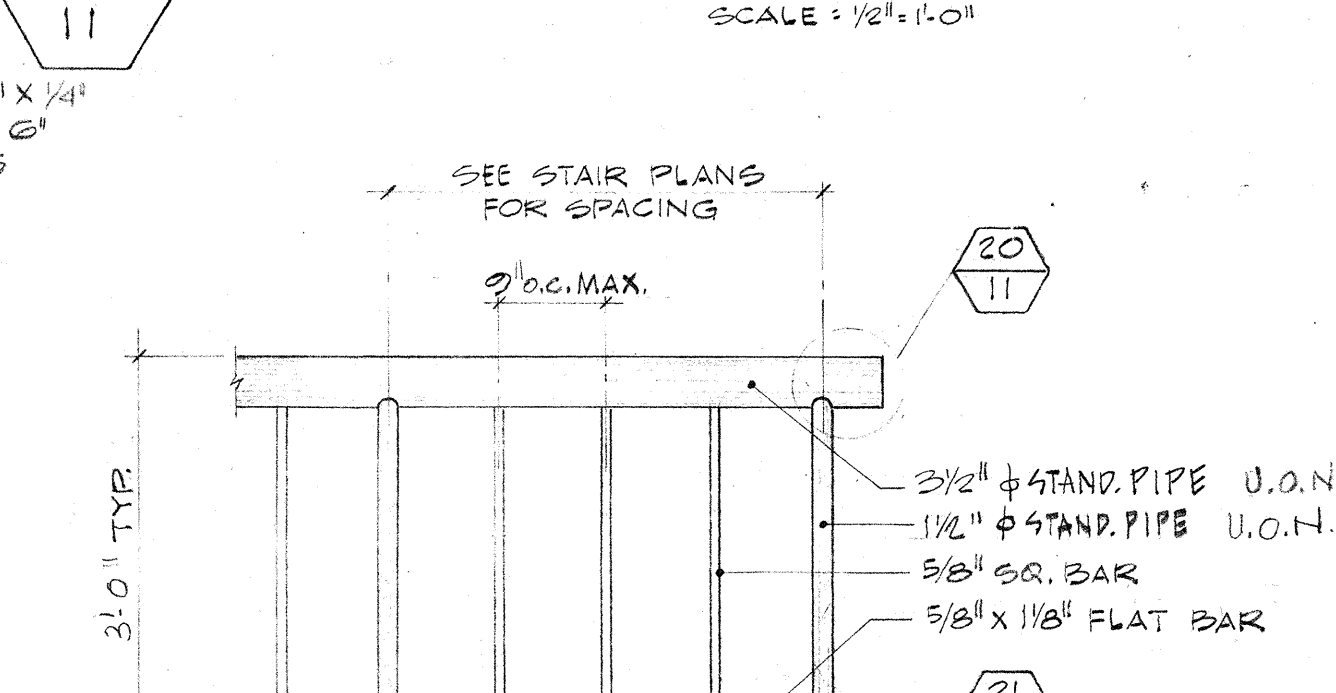
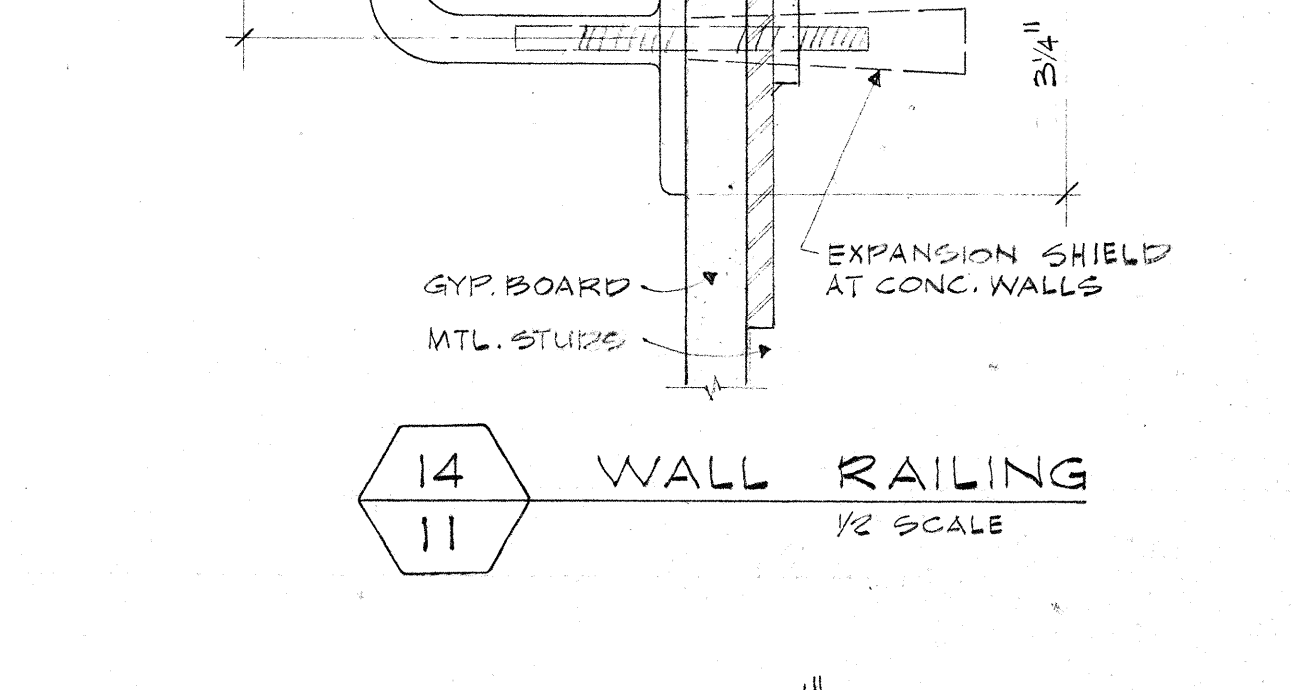
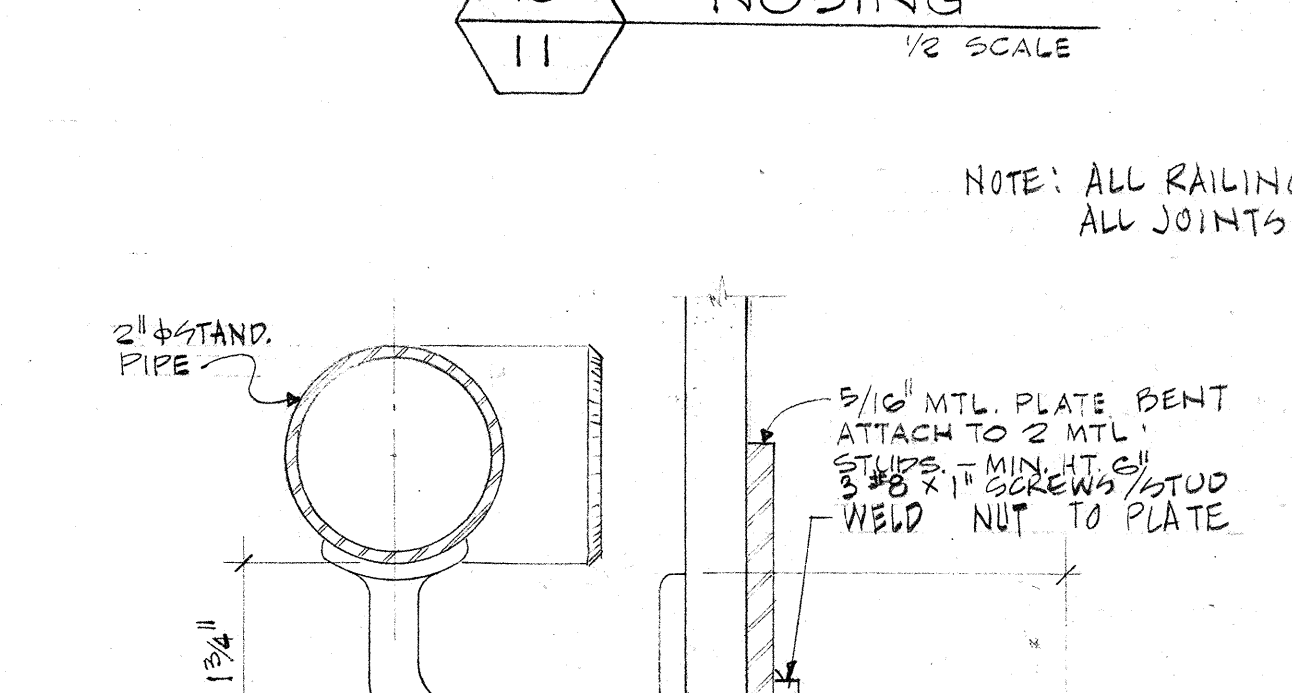
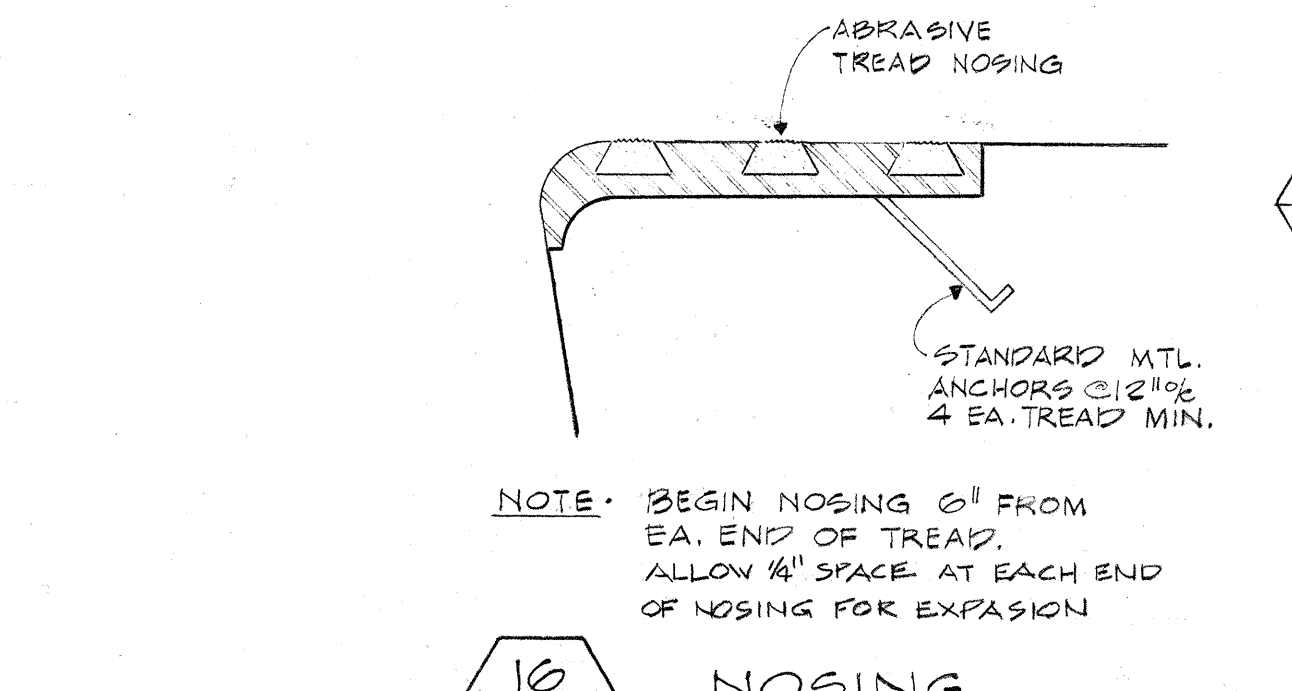
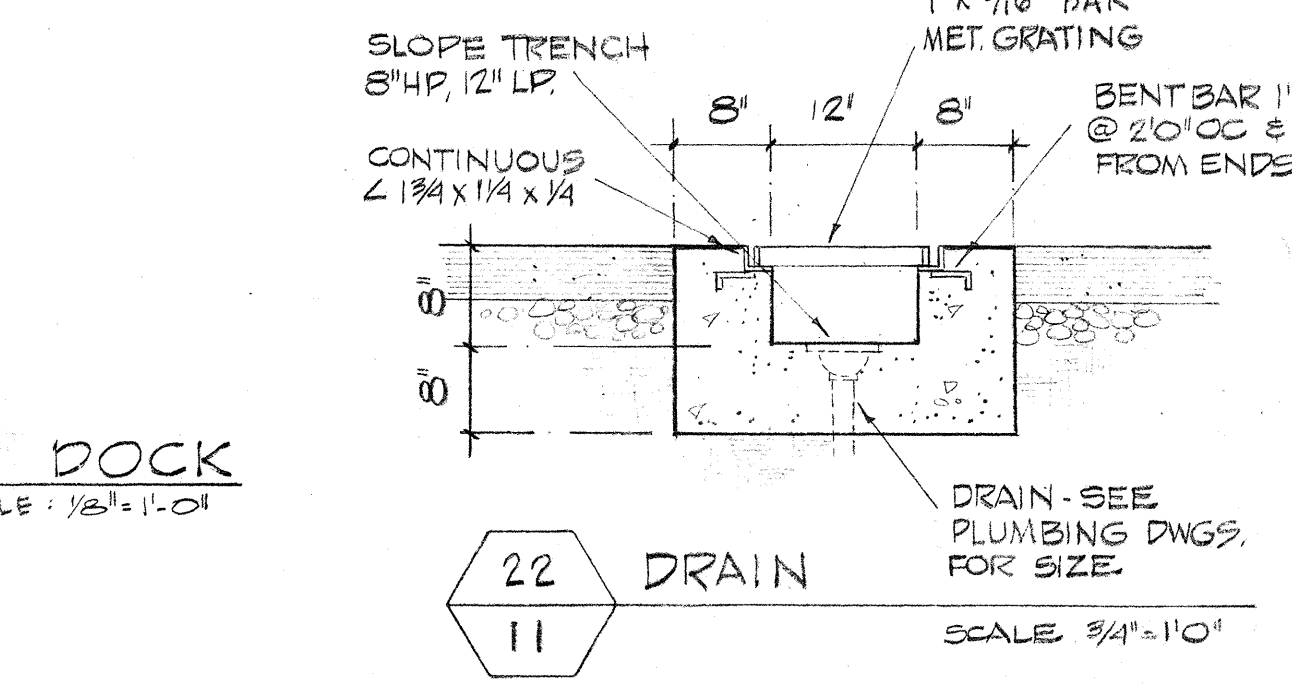
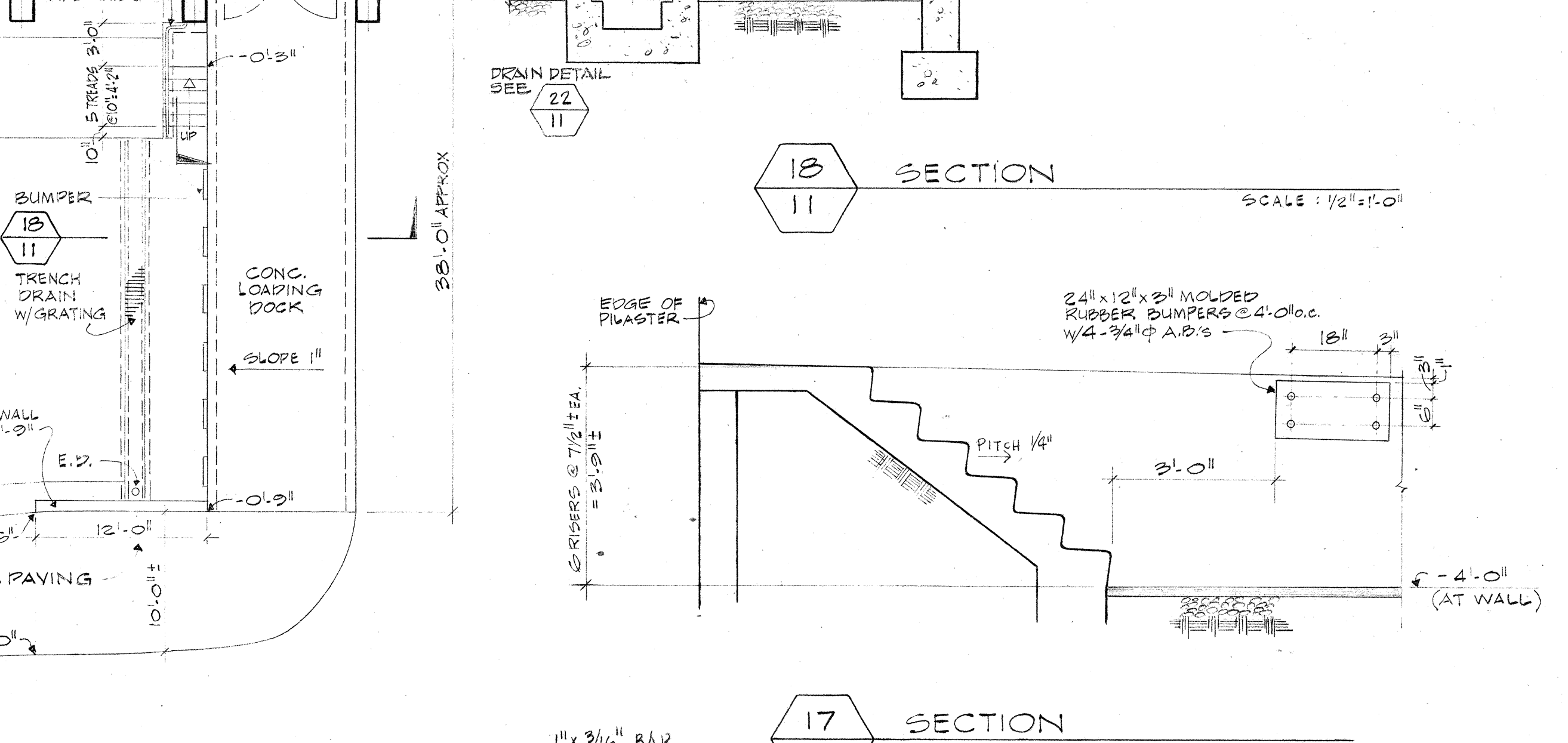
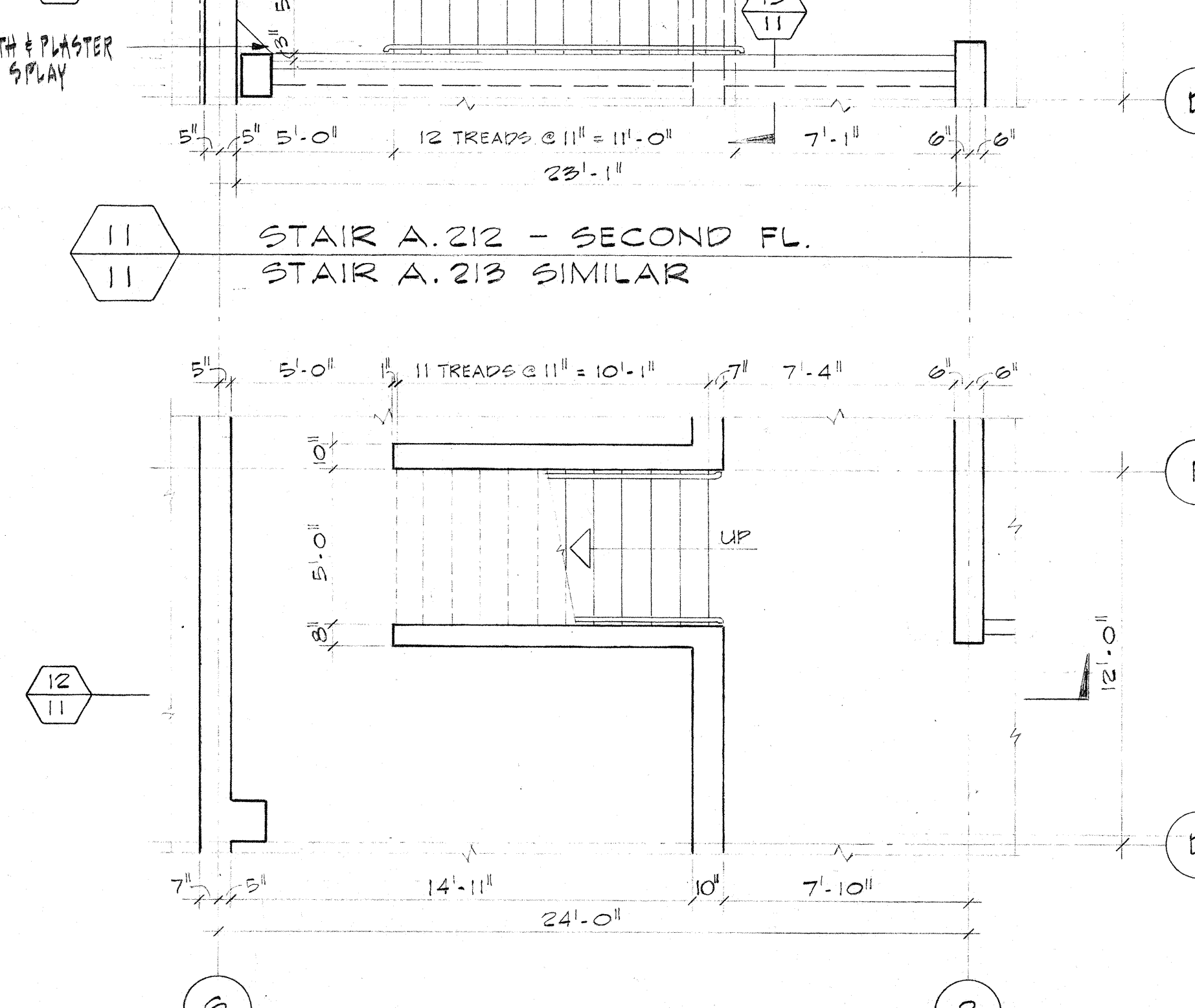
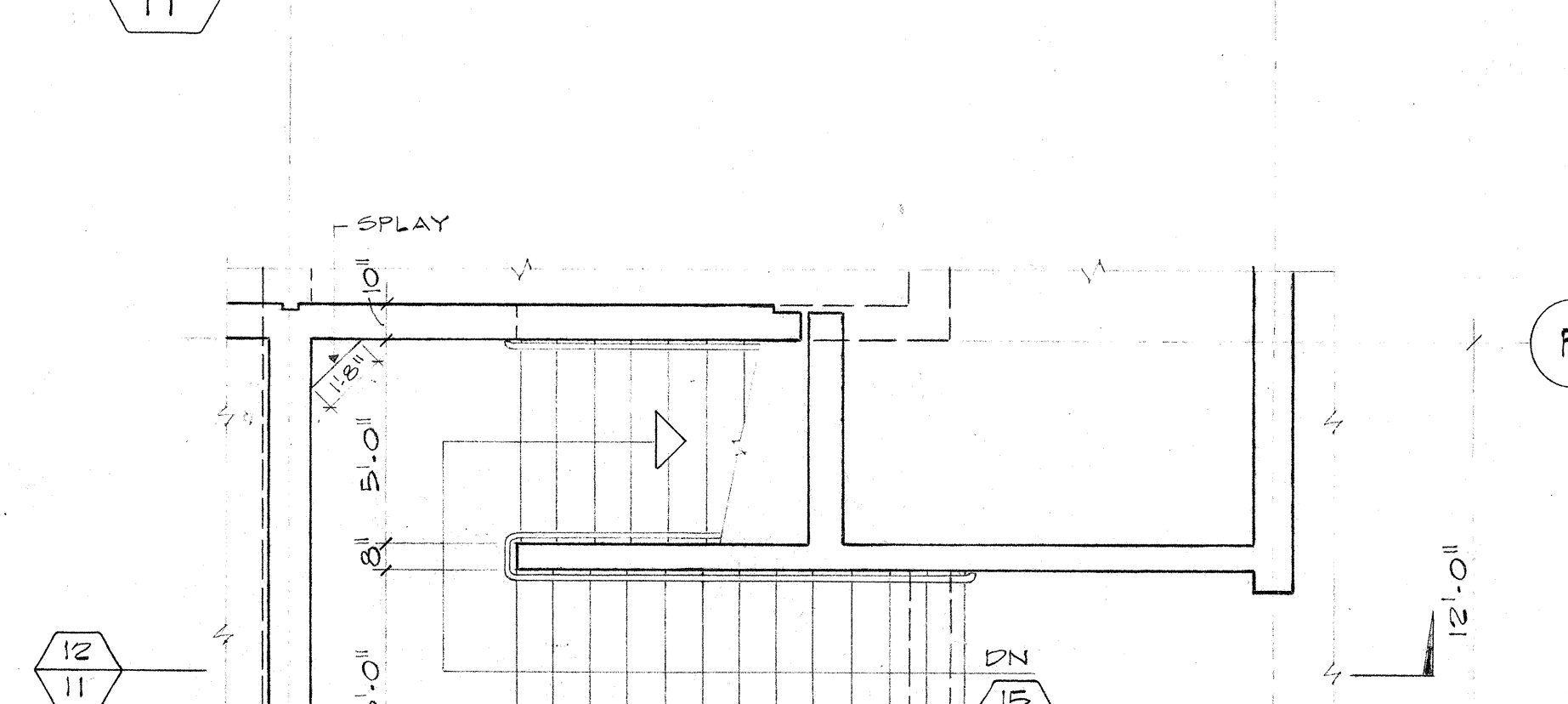
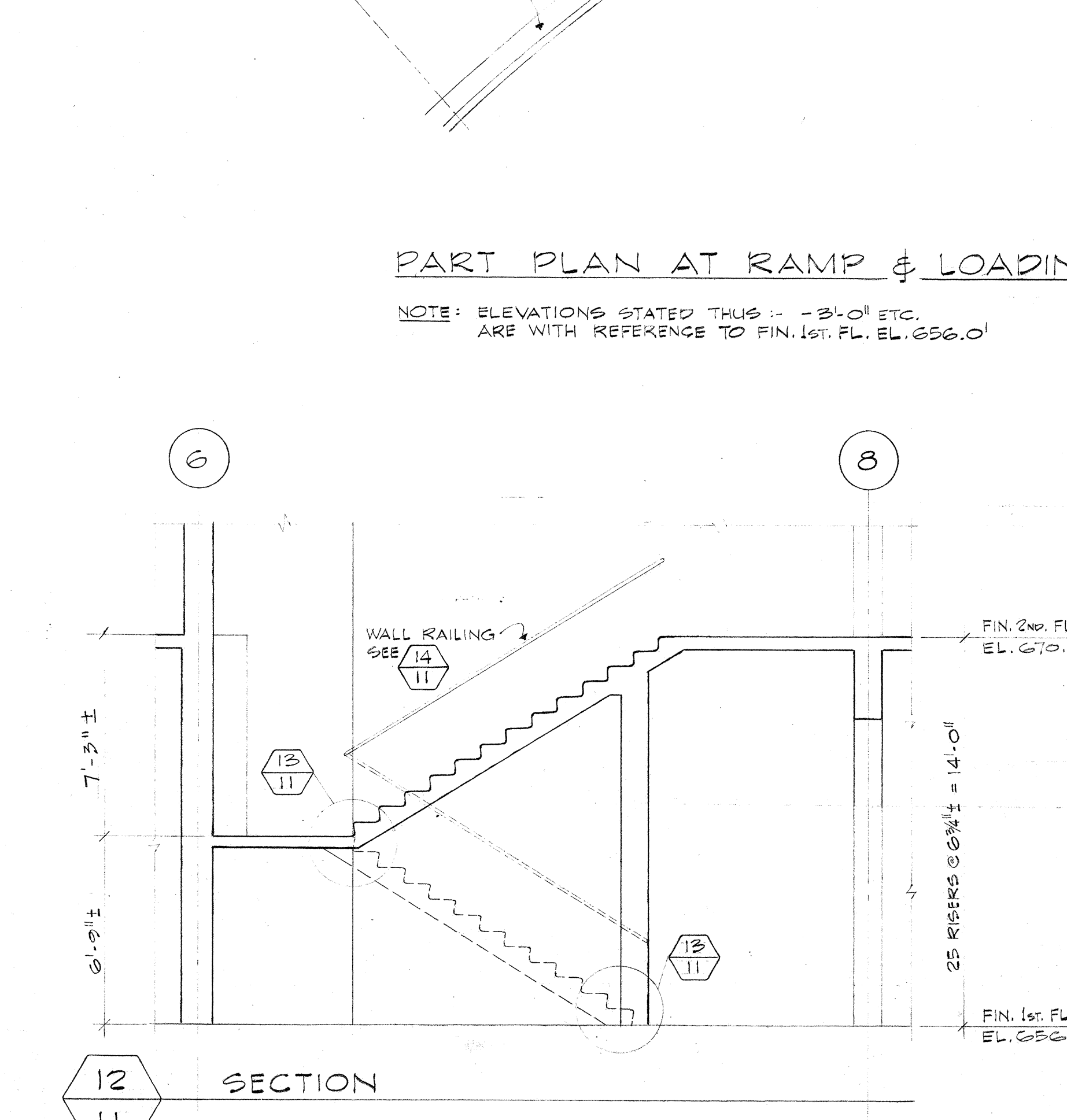
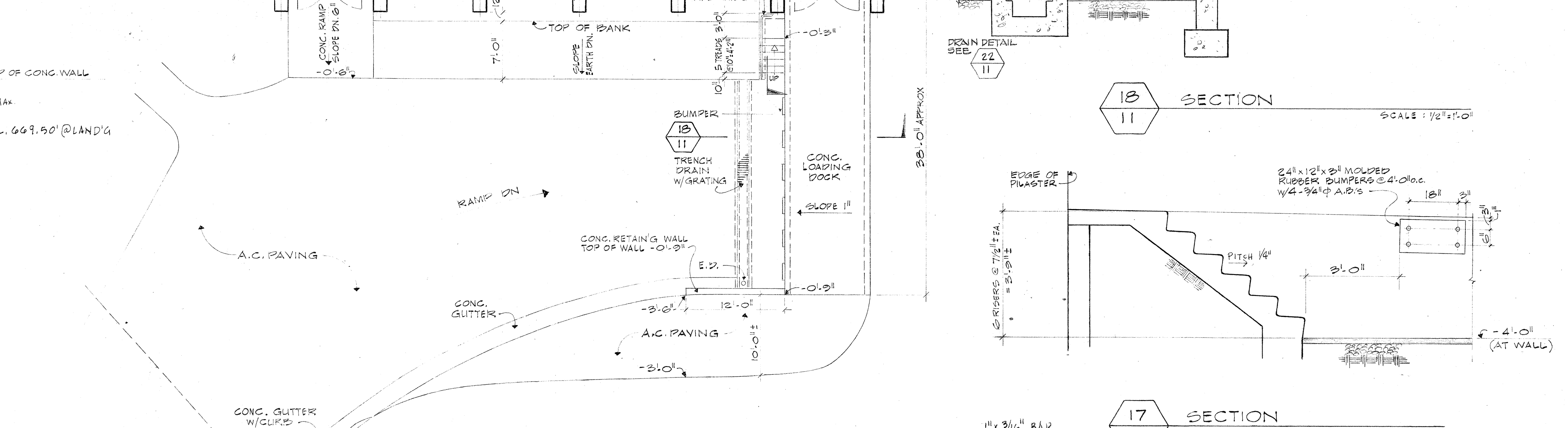
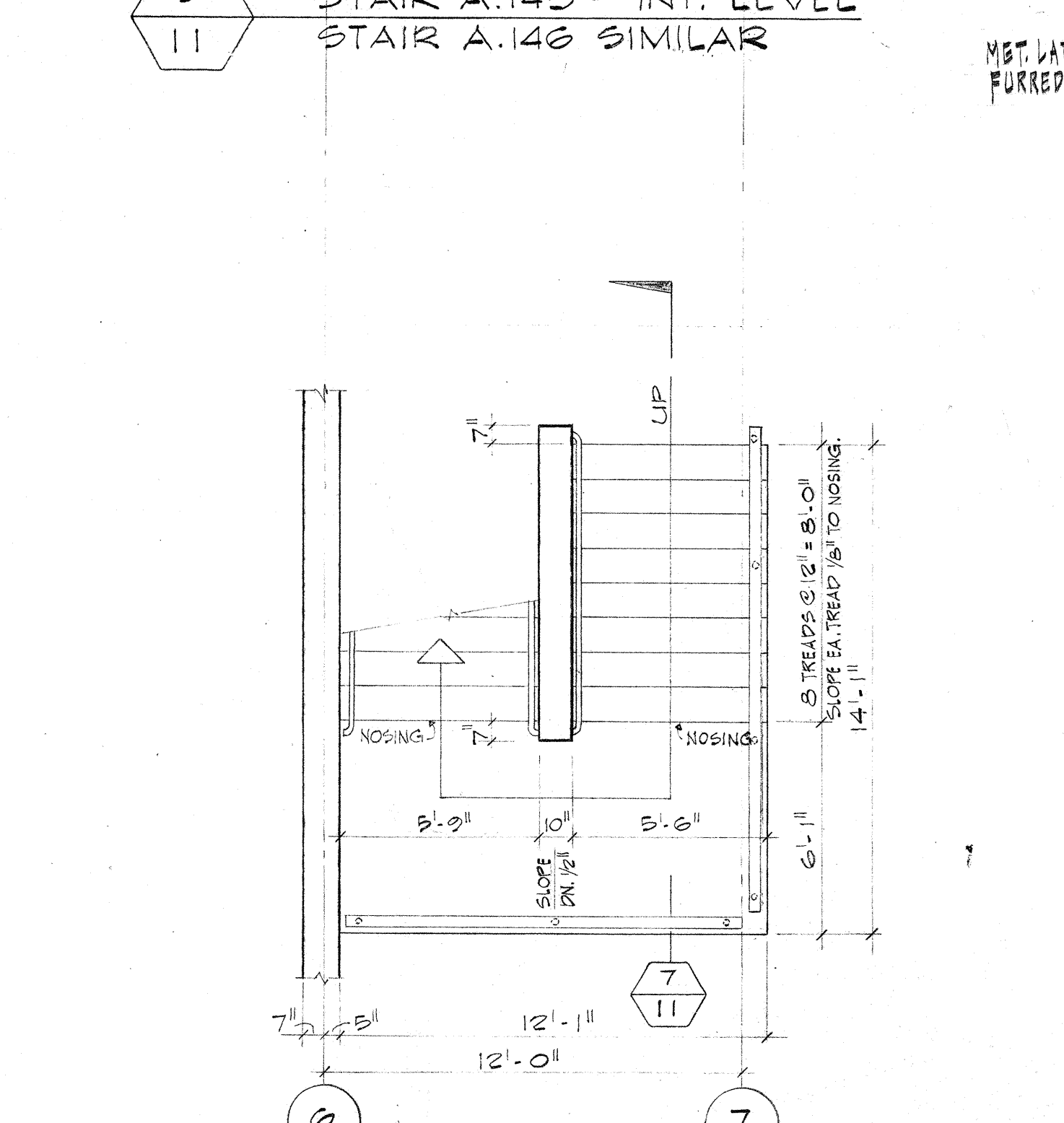
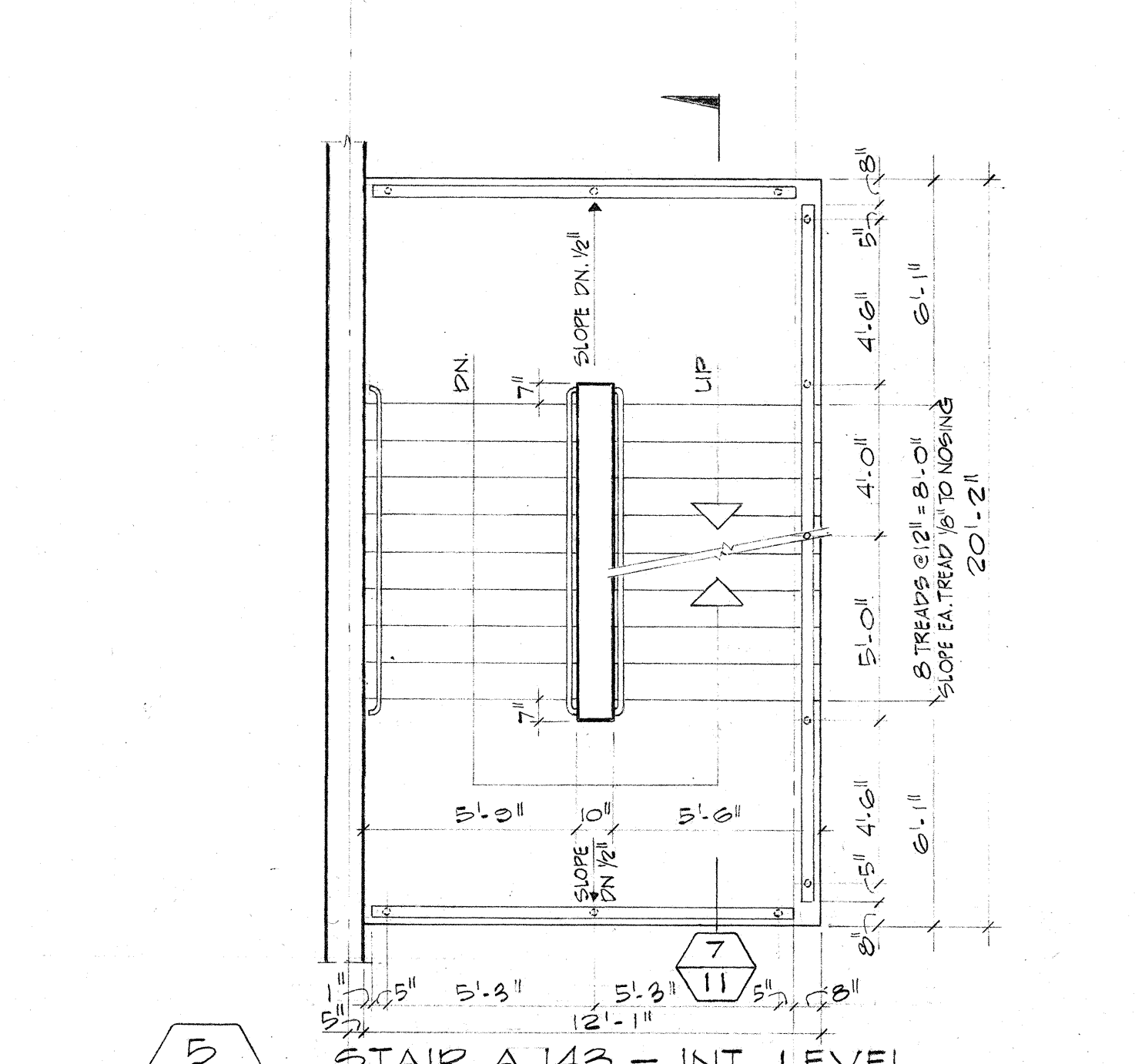
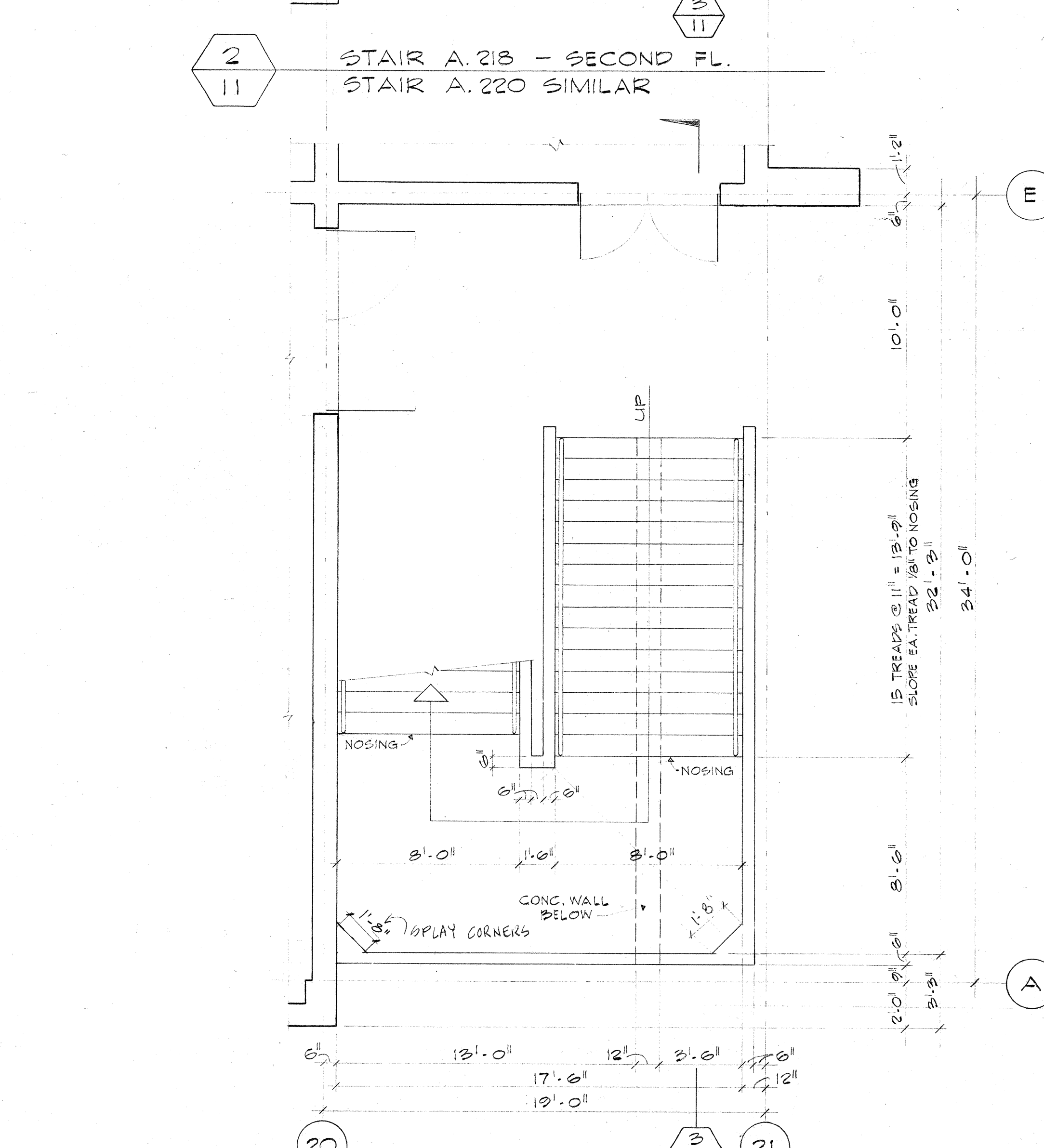
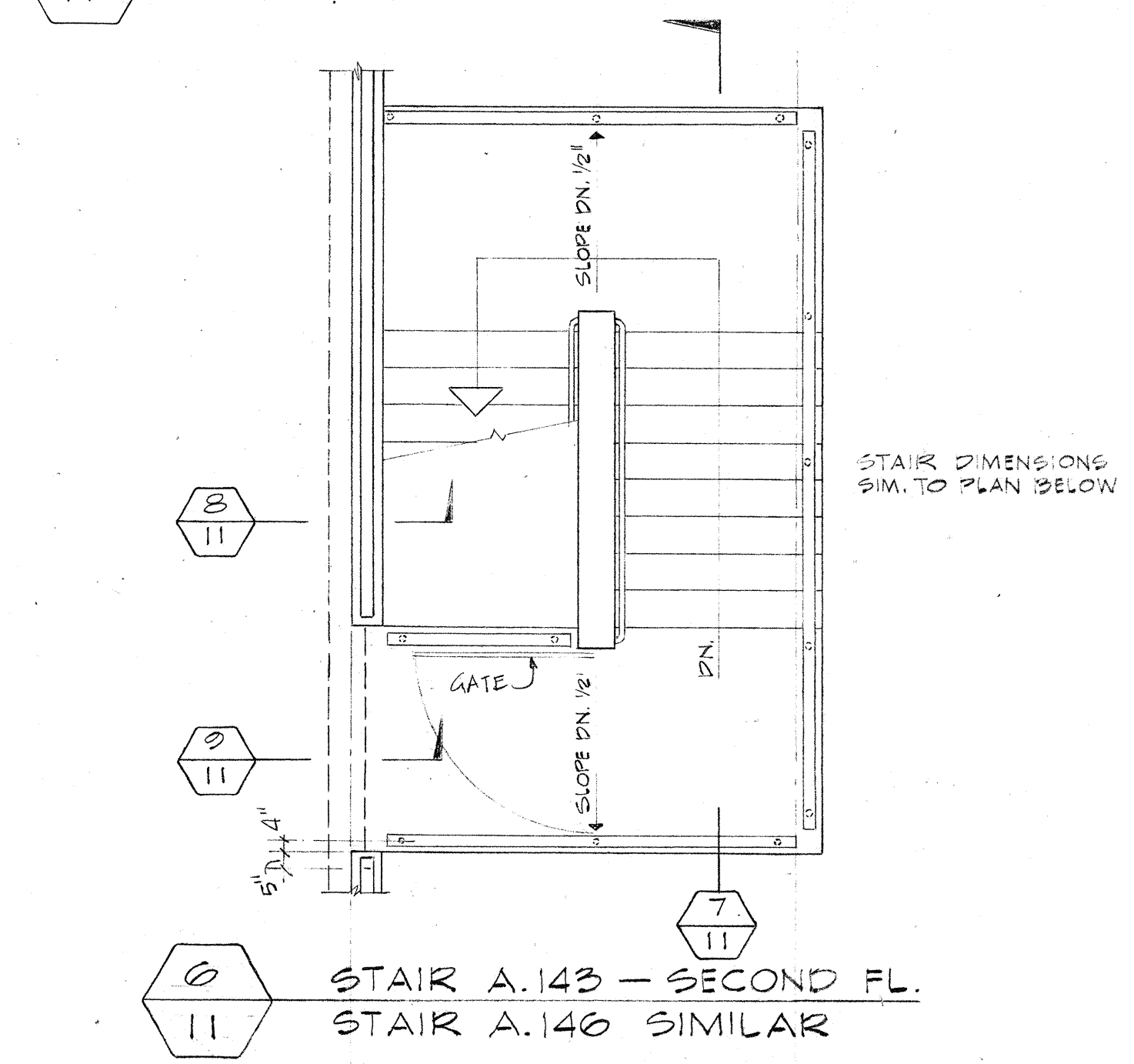
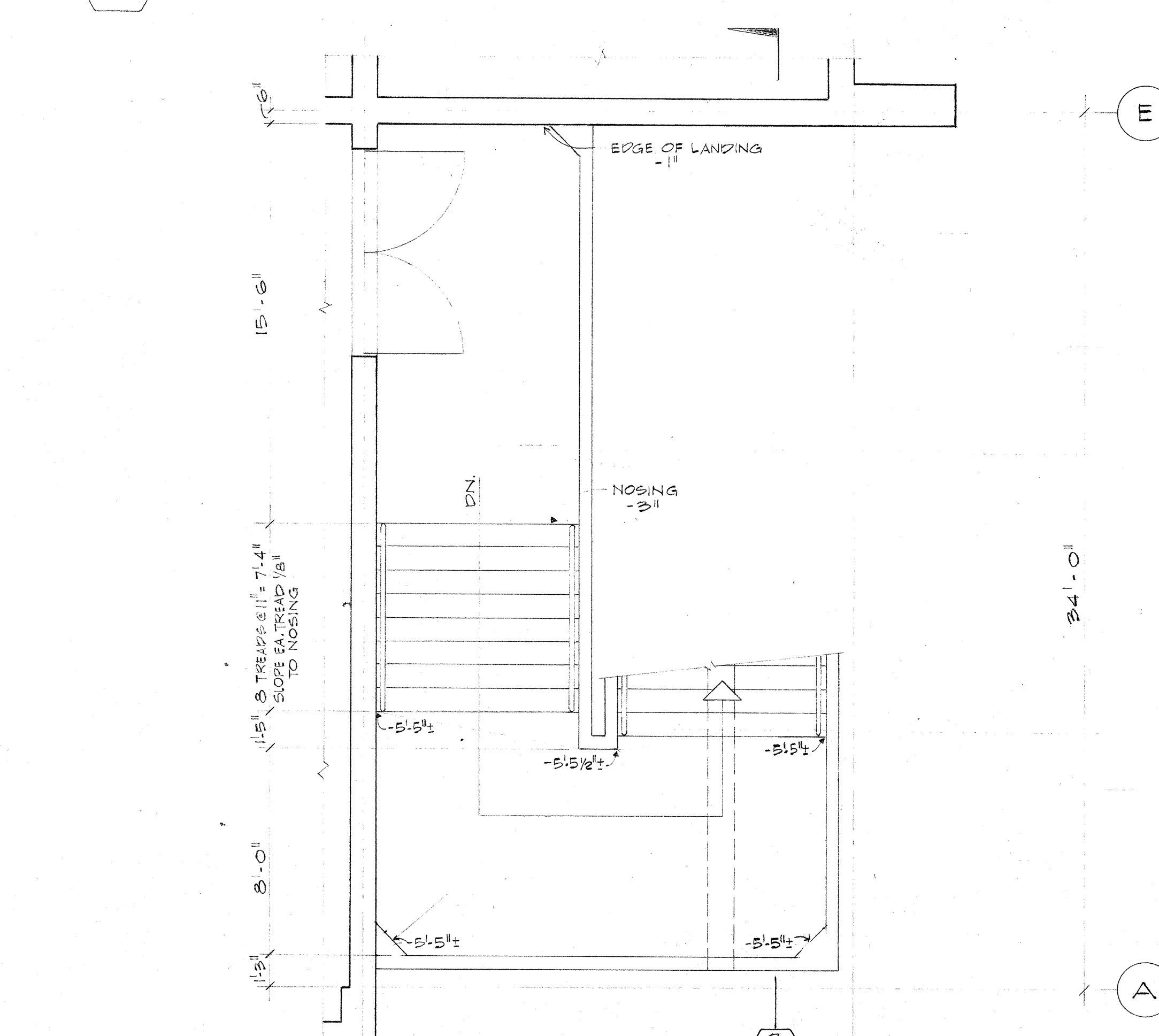
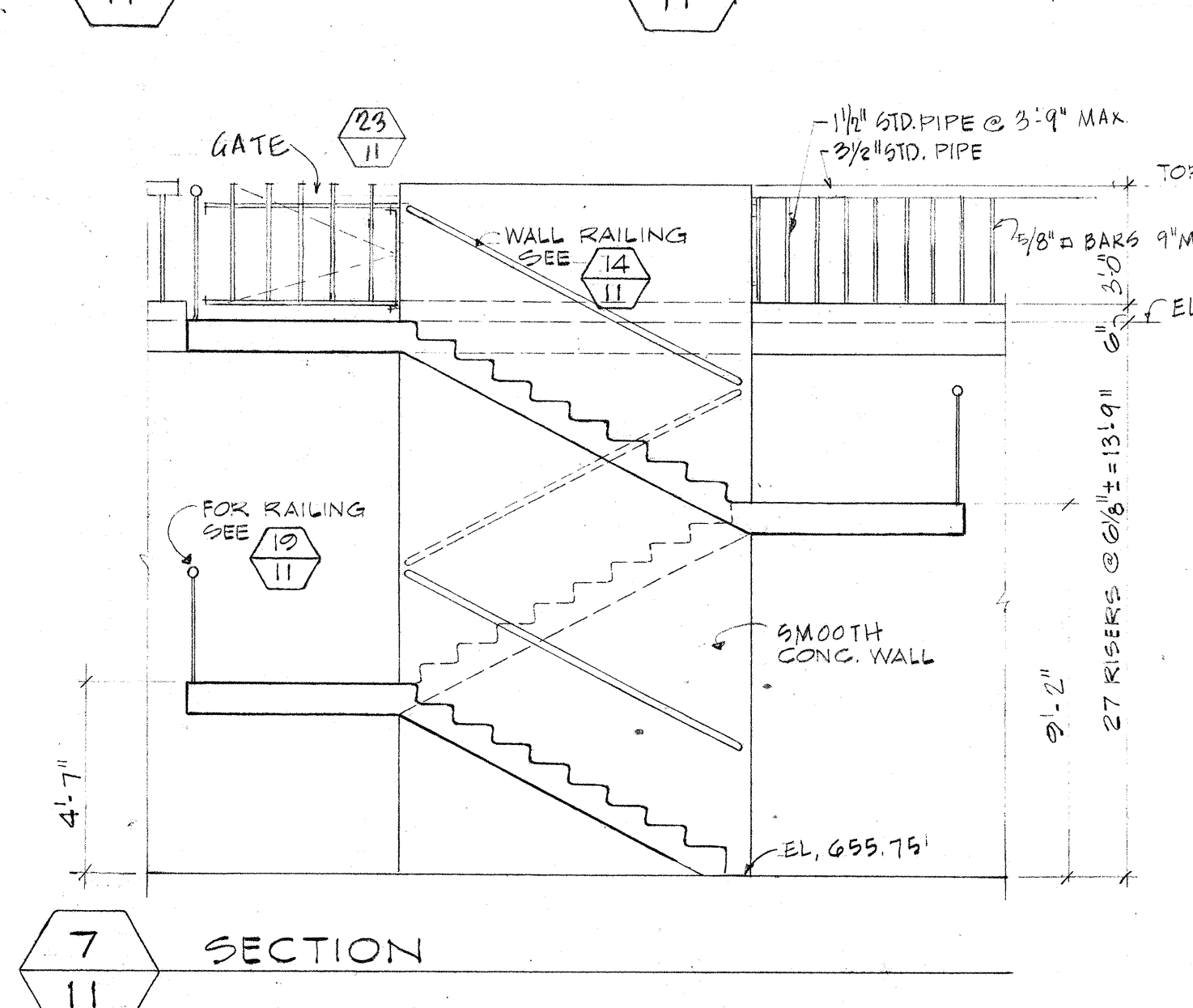
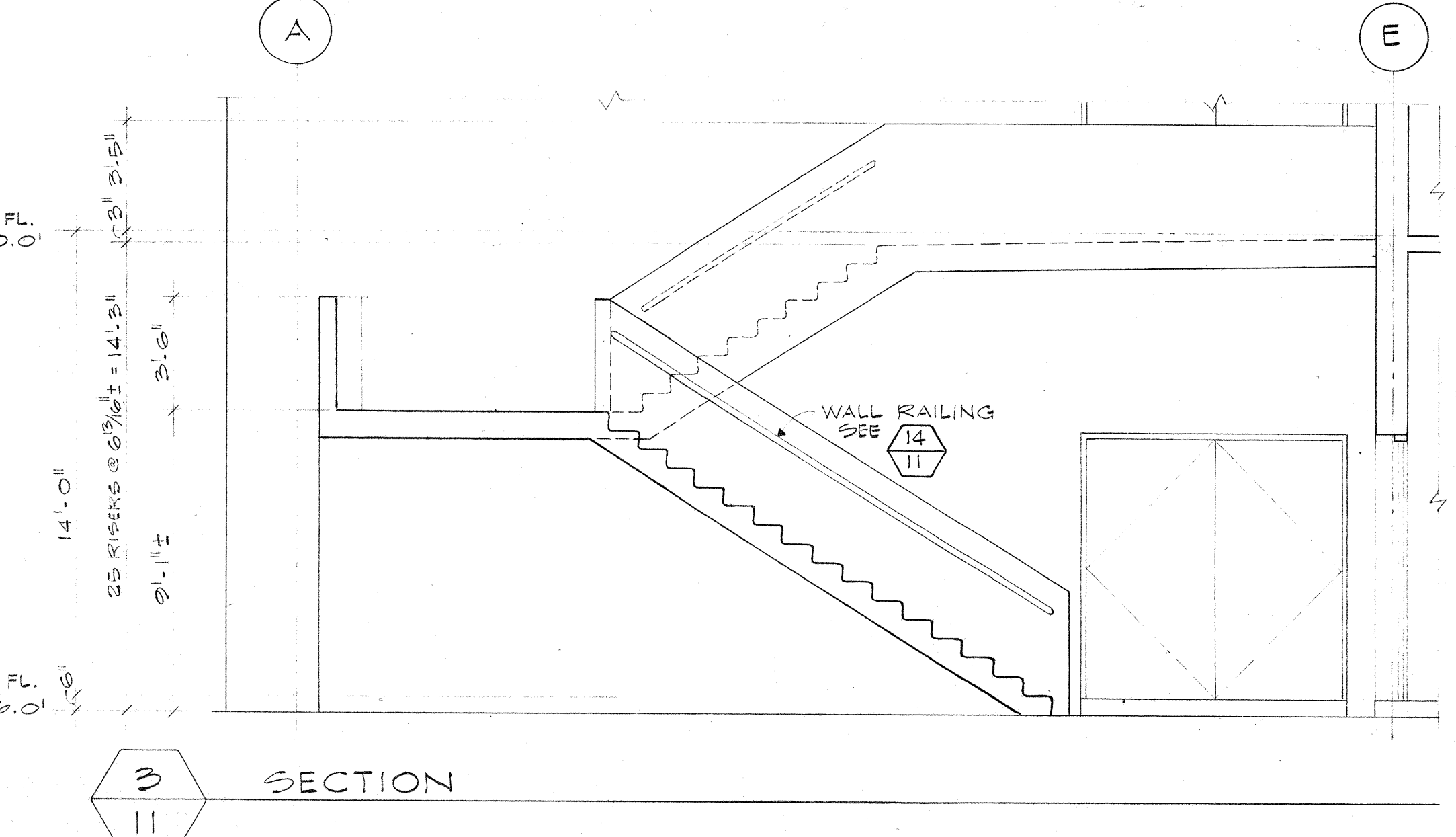
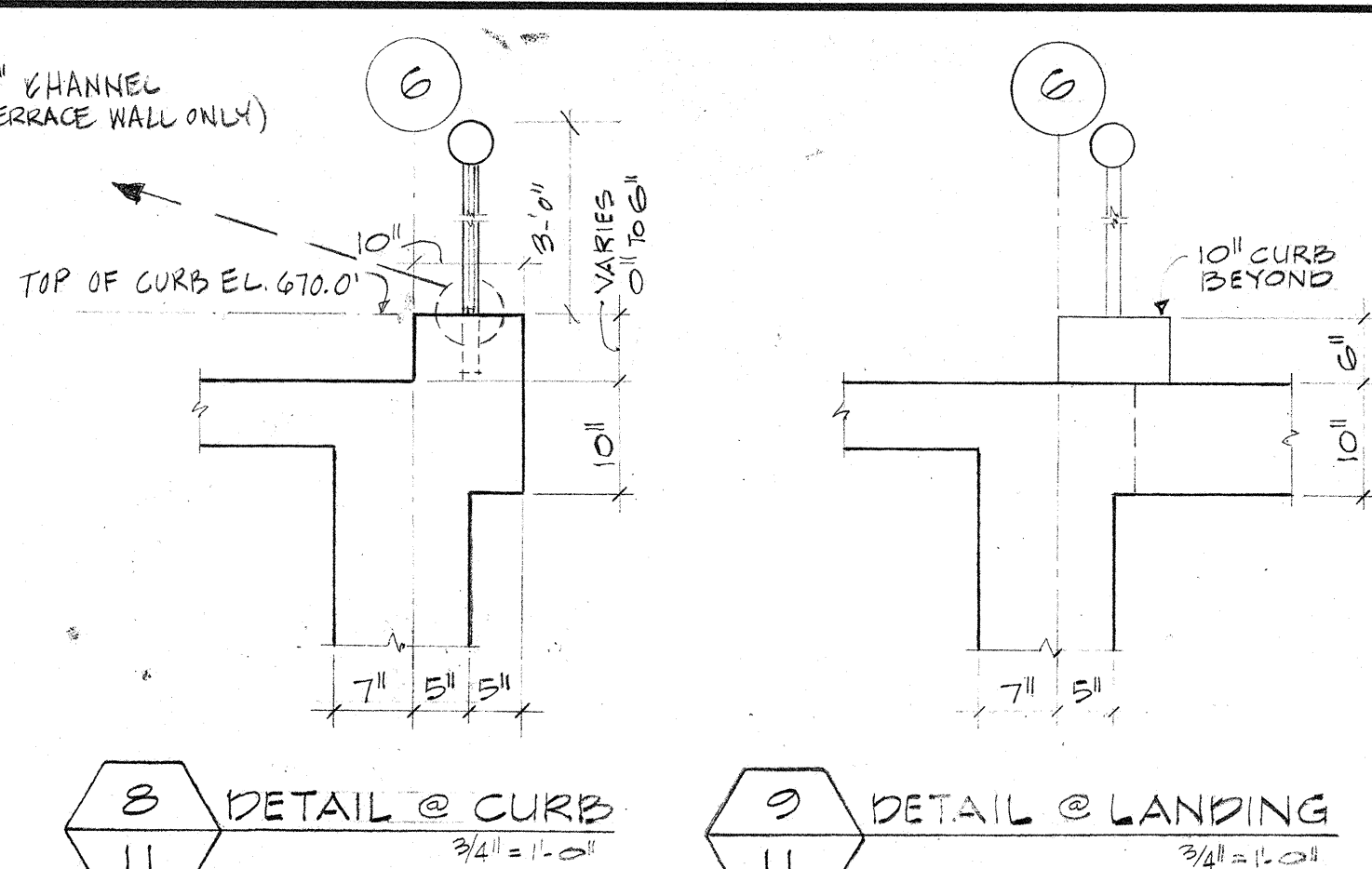
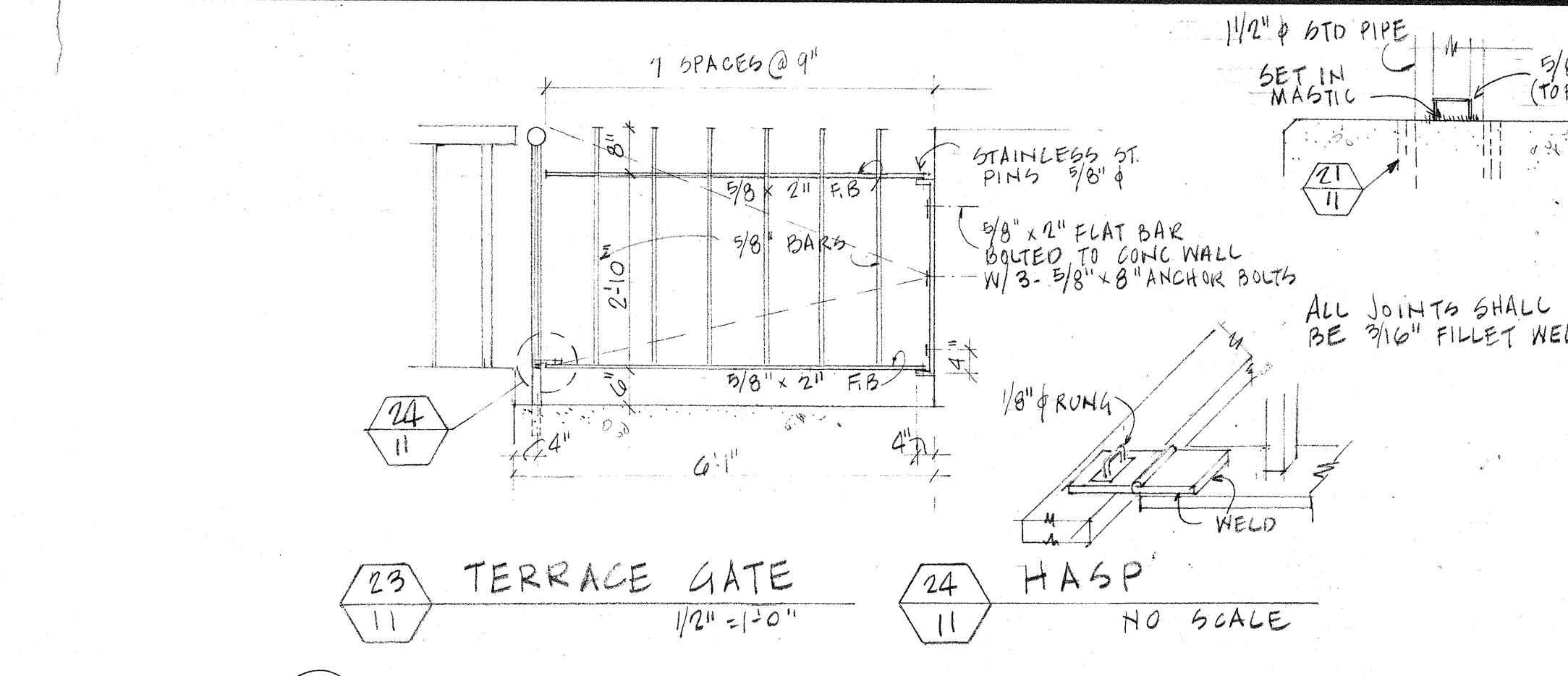
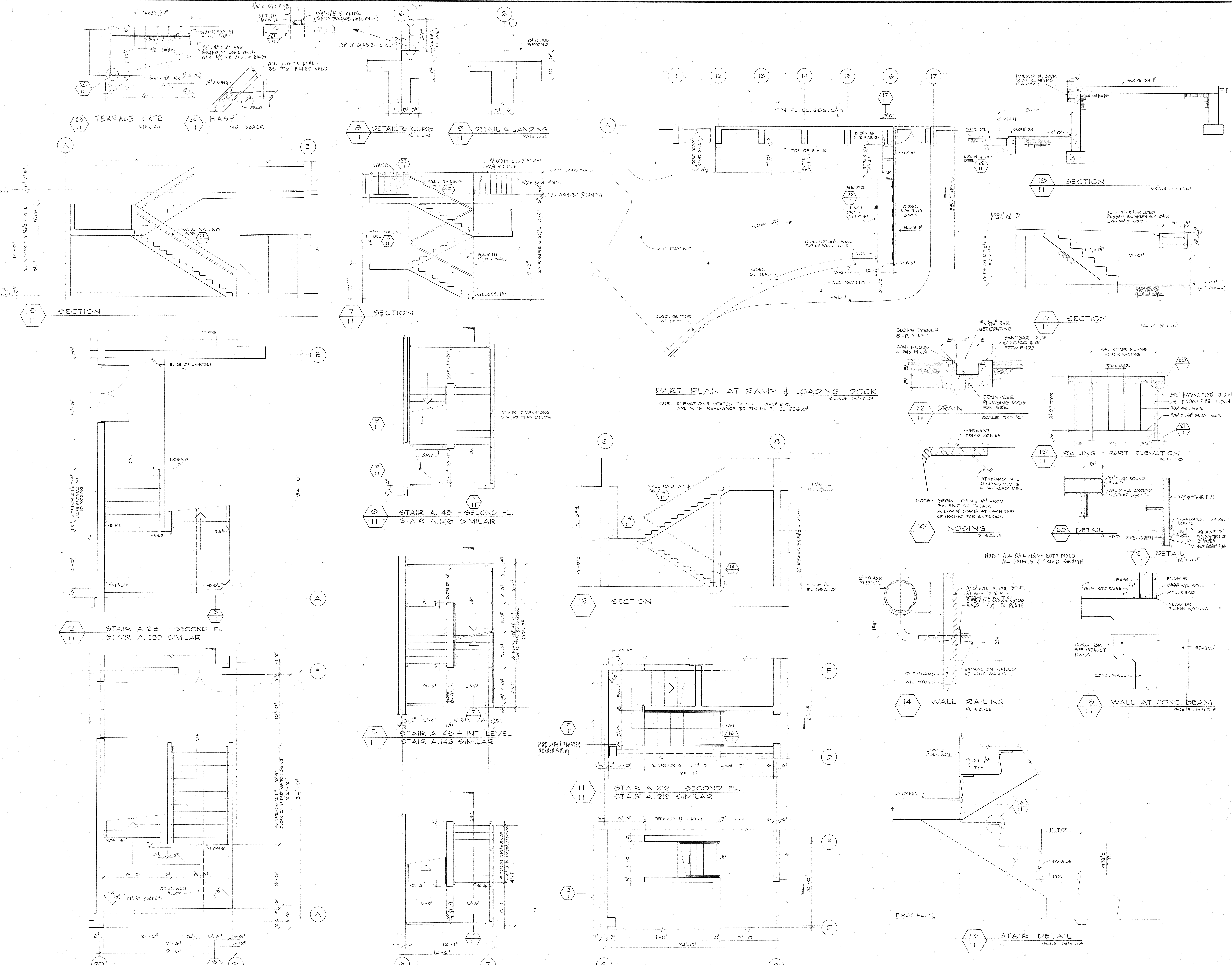


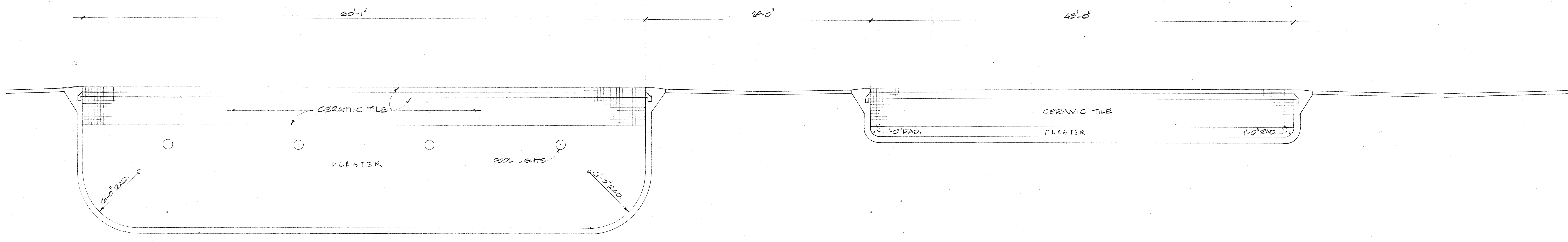
4 SECTION
8



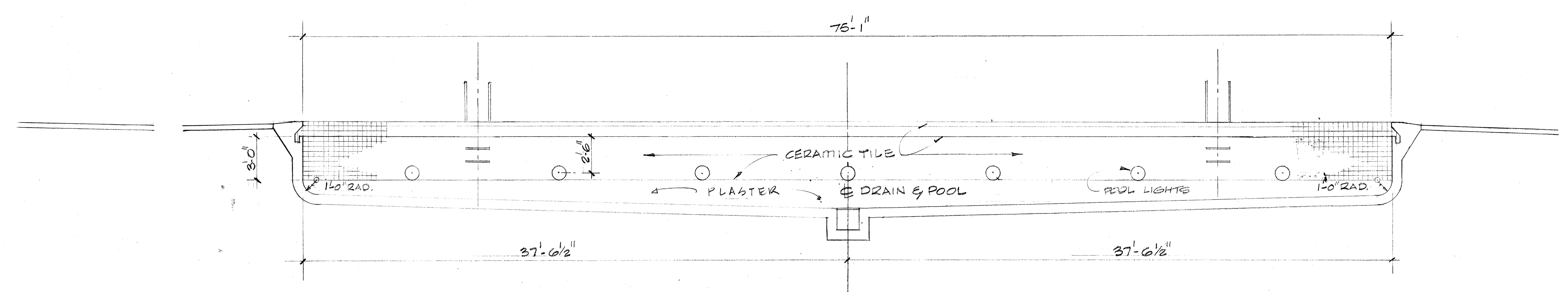
STAIR PLANS & DETAILS

SCALE AS NOTED DATE 2-20-67 JOB NO. 5490

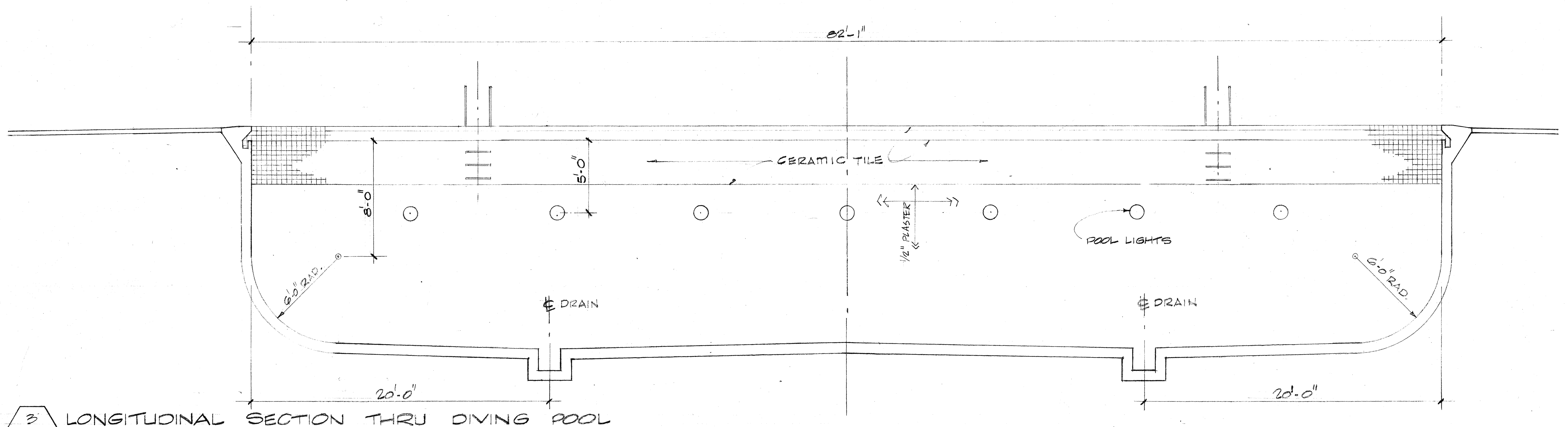




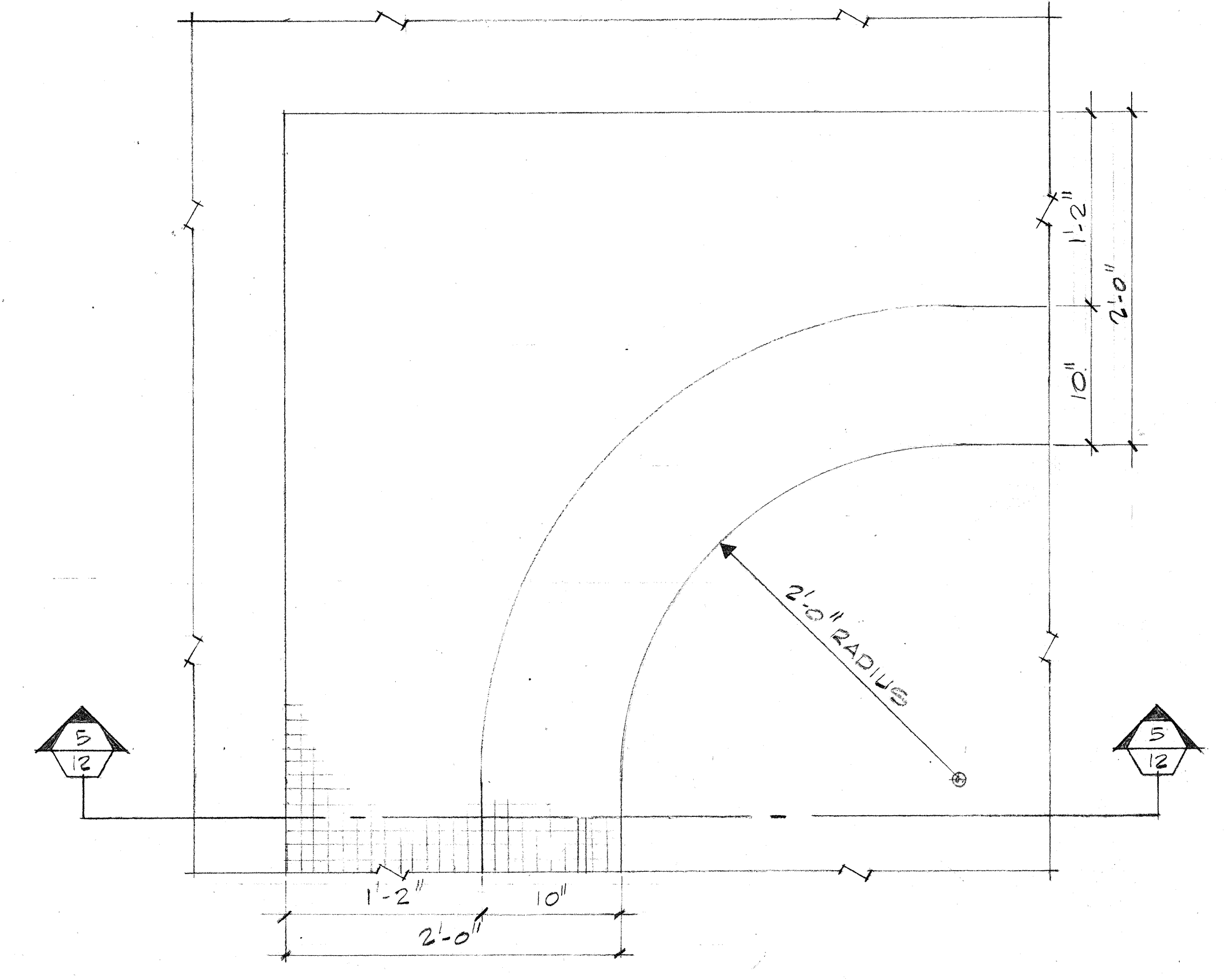
1 TRANSVERSE SECTION THRU DIVING & TRAINING POOLS
 SCALE: 1/4" = 1'-0"



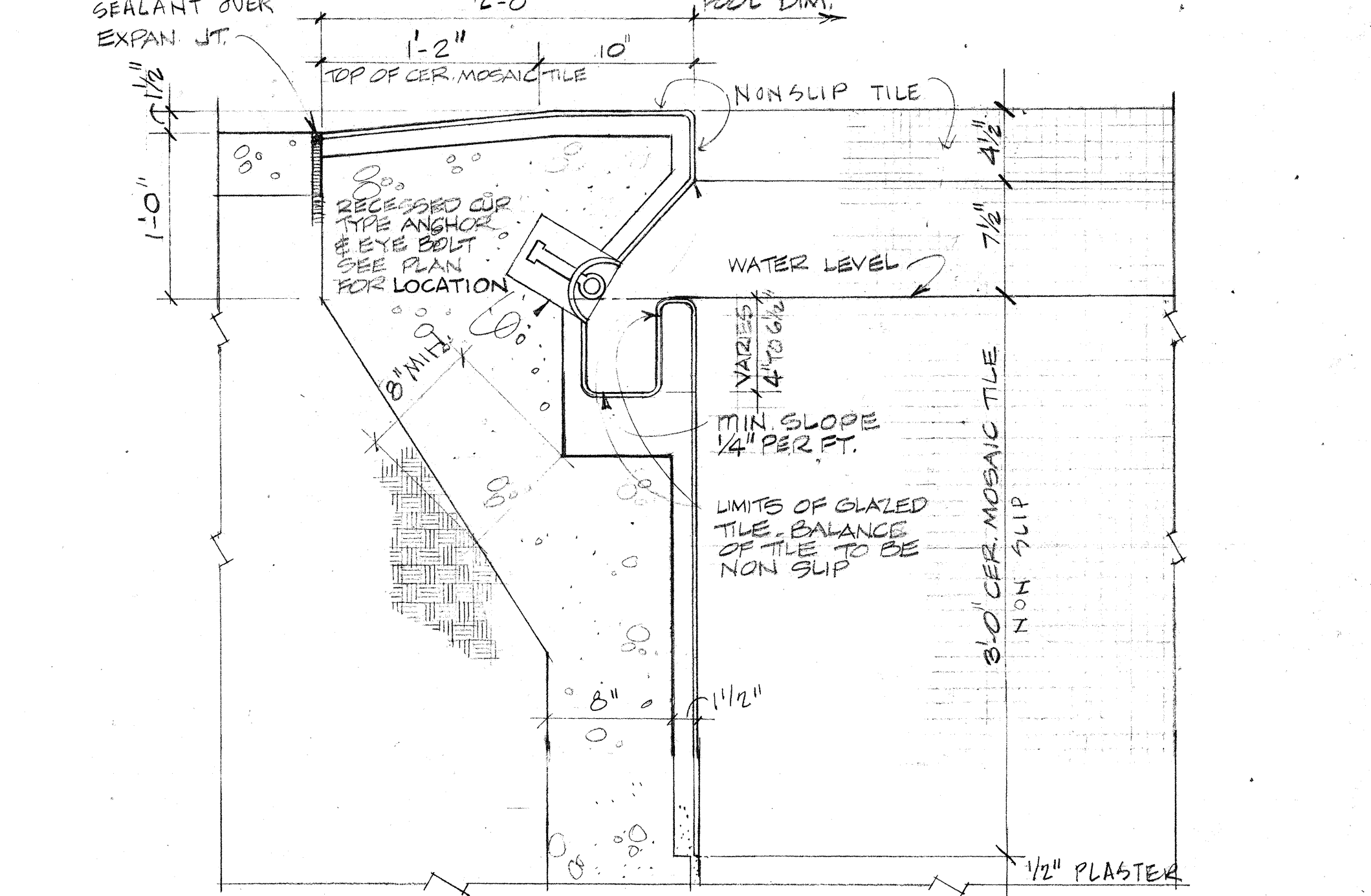
2 LONGITUDINAL SECTION THRU TRAINING POOL
 SCALE: 1/4" = 1'-0"



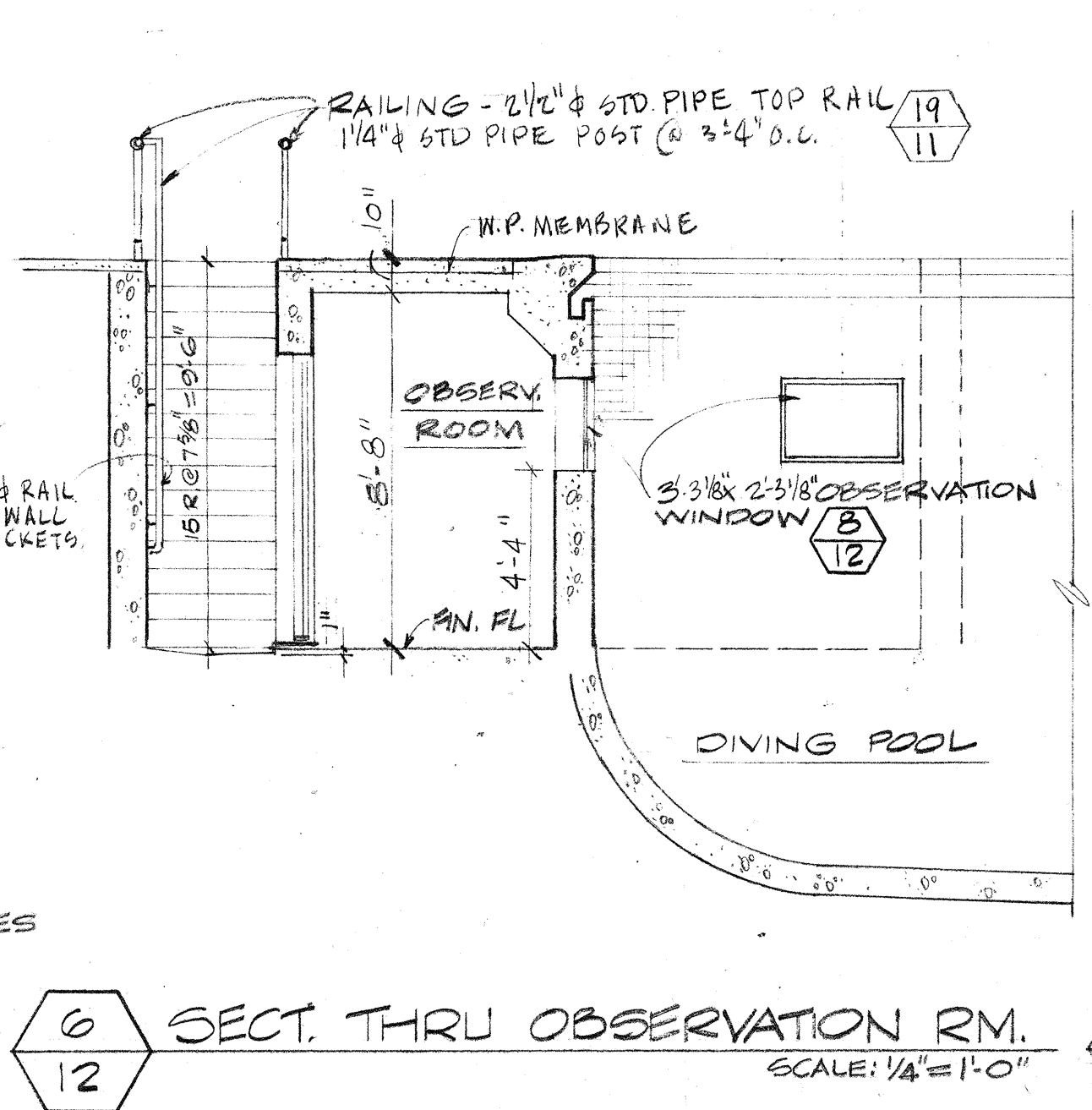
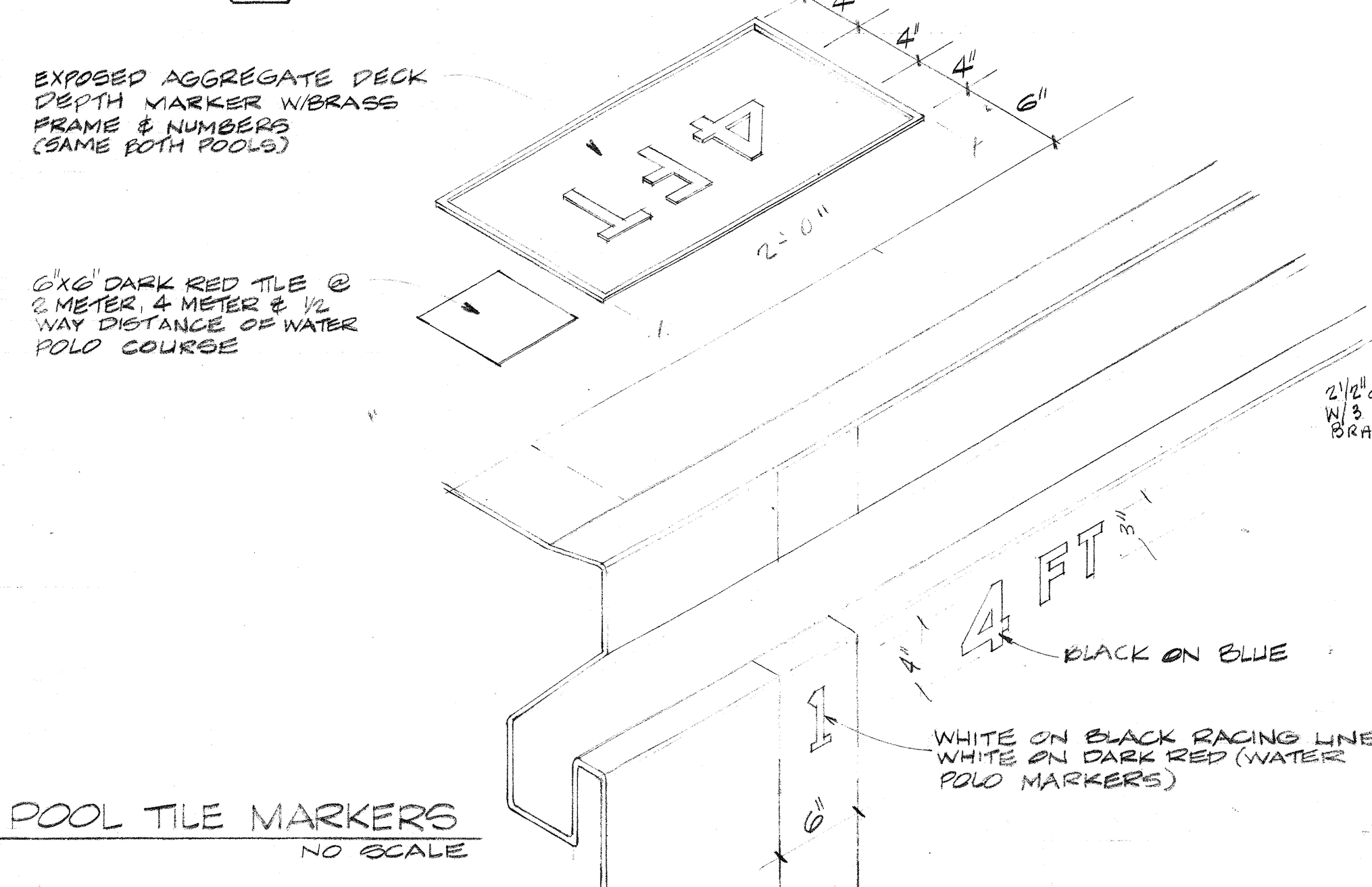
3 LONGITUDINAL SECTION THRU DIVING POOL
 SCALE: 1/4" = 1'-0"



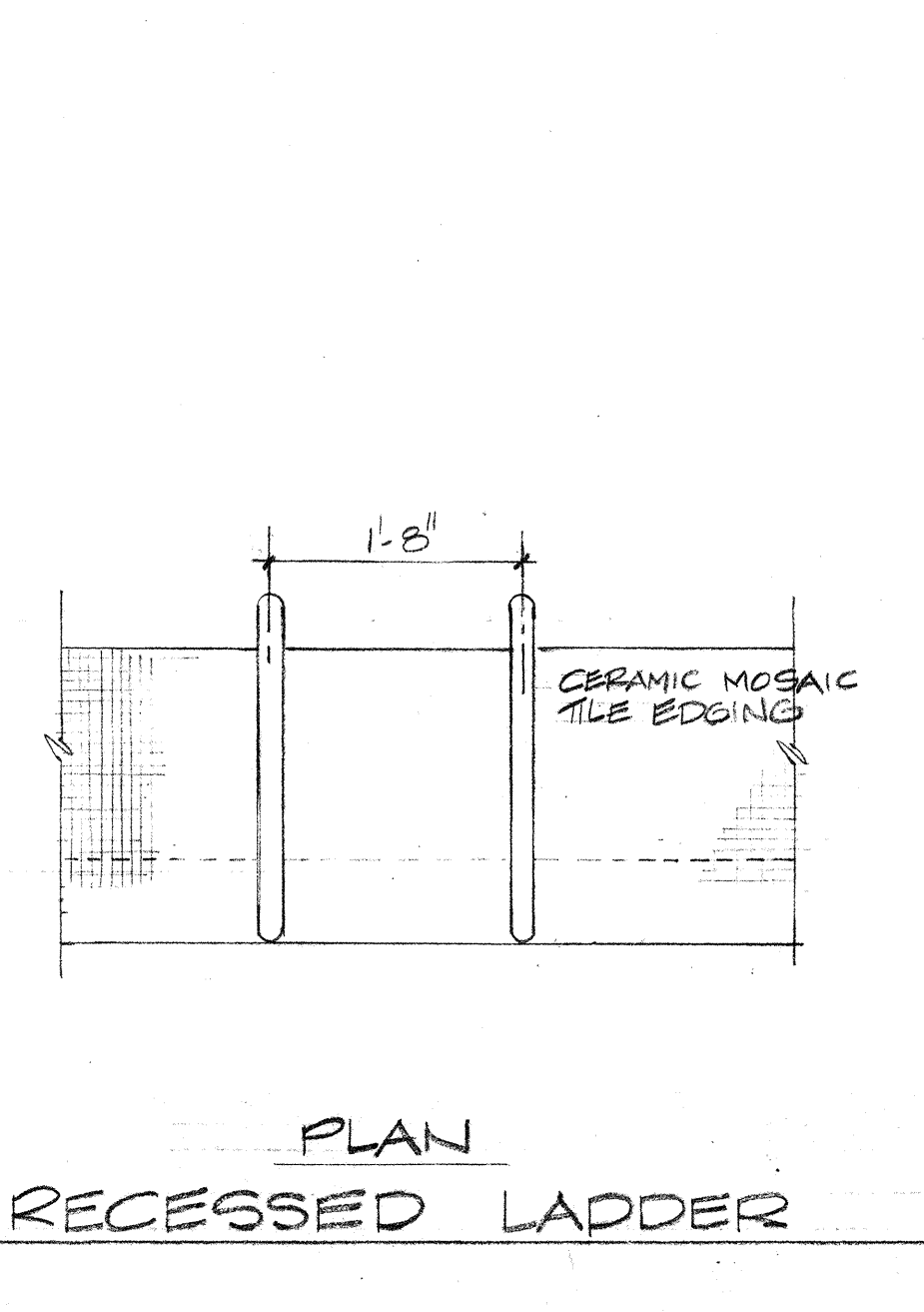
4 PLAN @ POOL CORNERS
 SCALE: 1/8" = 1'-0"



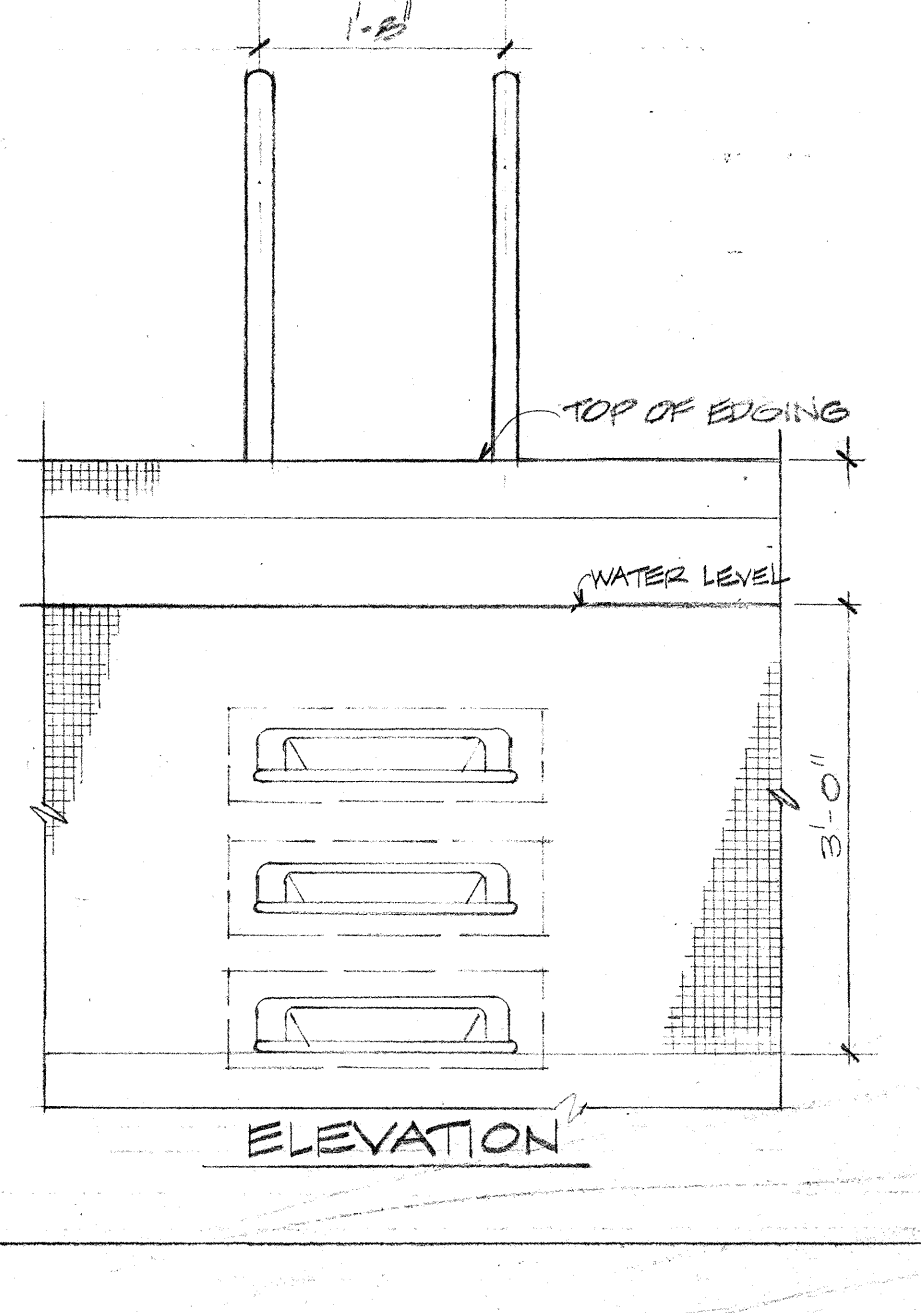
5 SECTION
 SCALE: 1/2" = 1'-0"



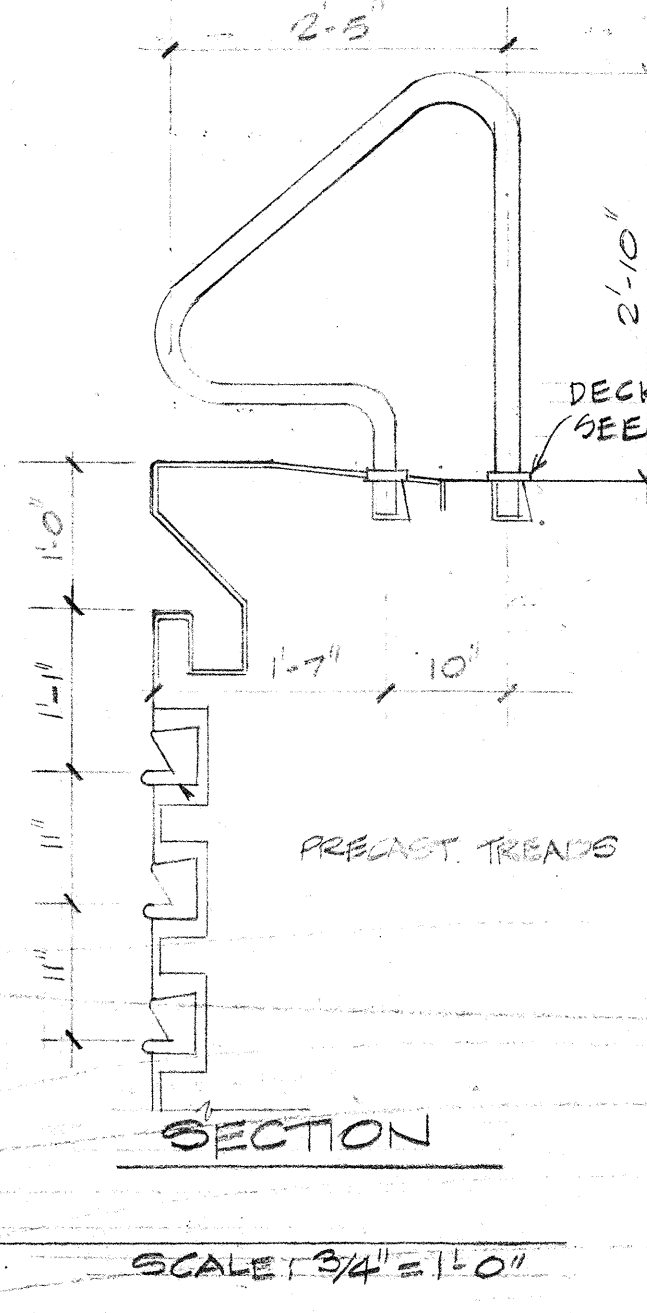
6 SECT. THRU OBSERVATION RM.
 SCALE: 1/4" = 1'-0"



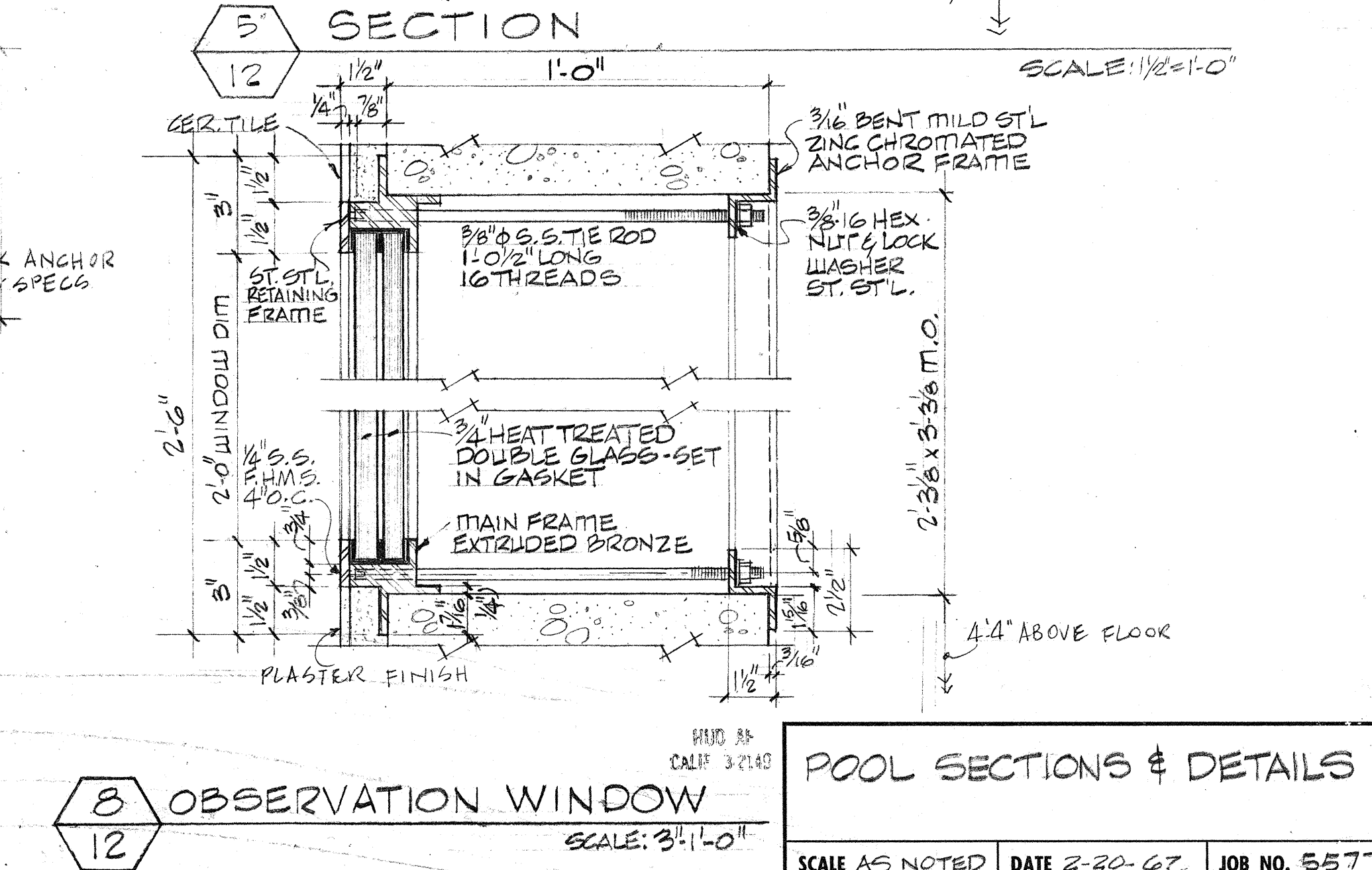
7 RECESSED LADDER
 SCALE: 1/4" = 1'-0"



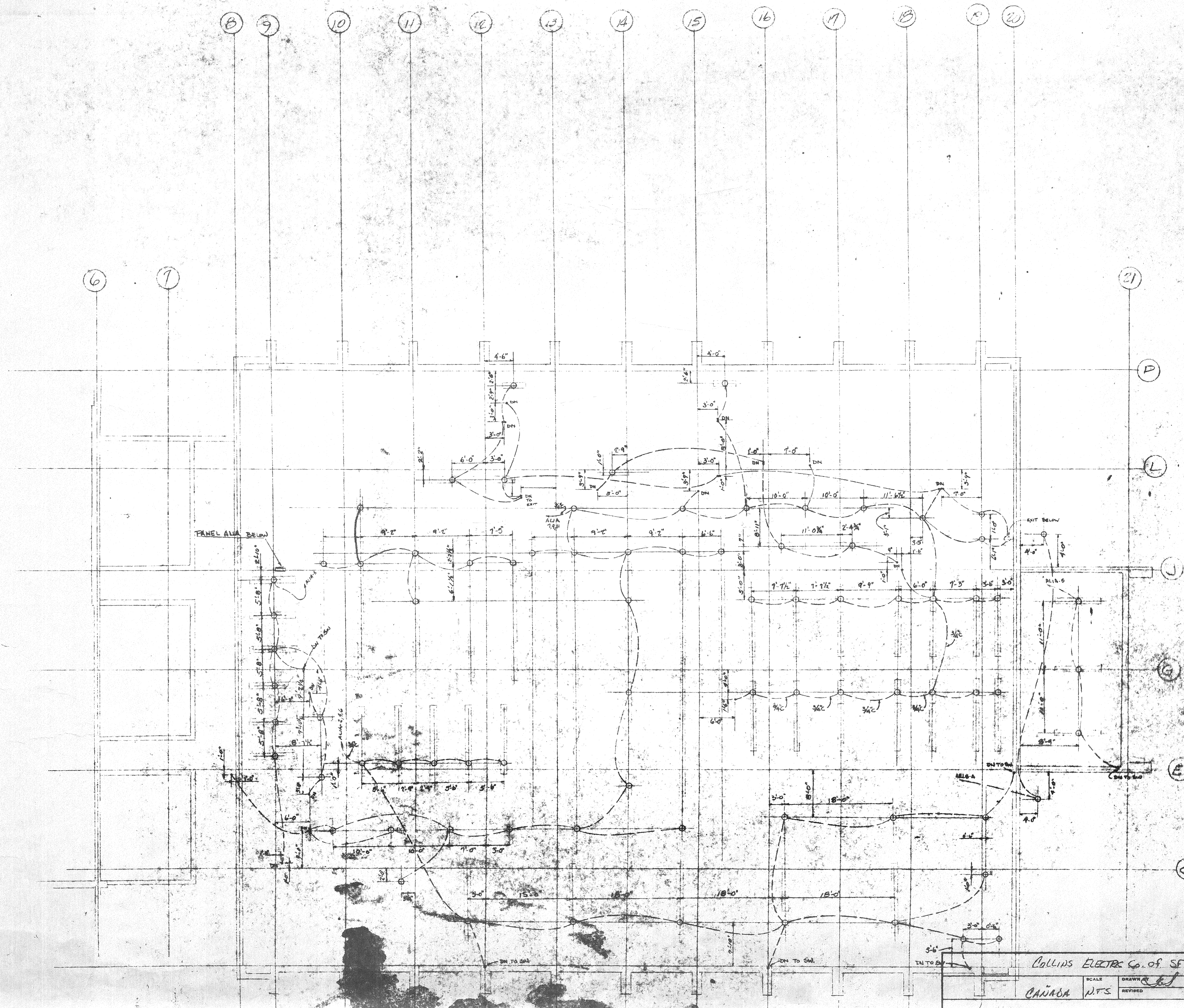
ELEVATION



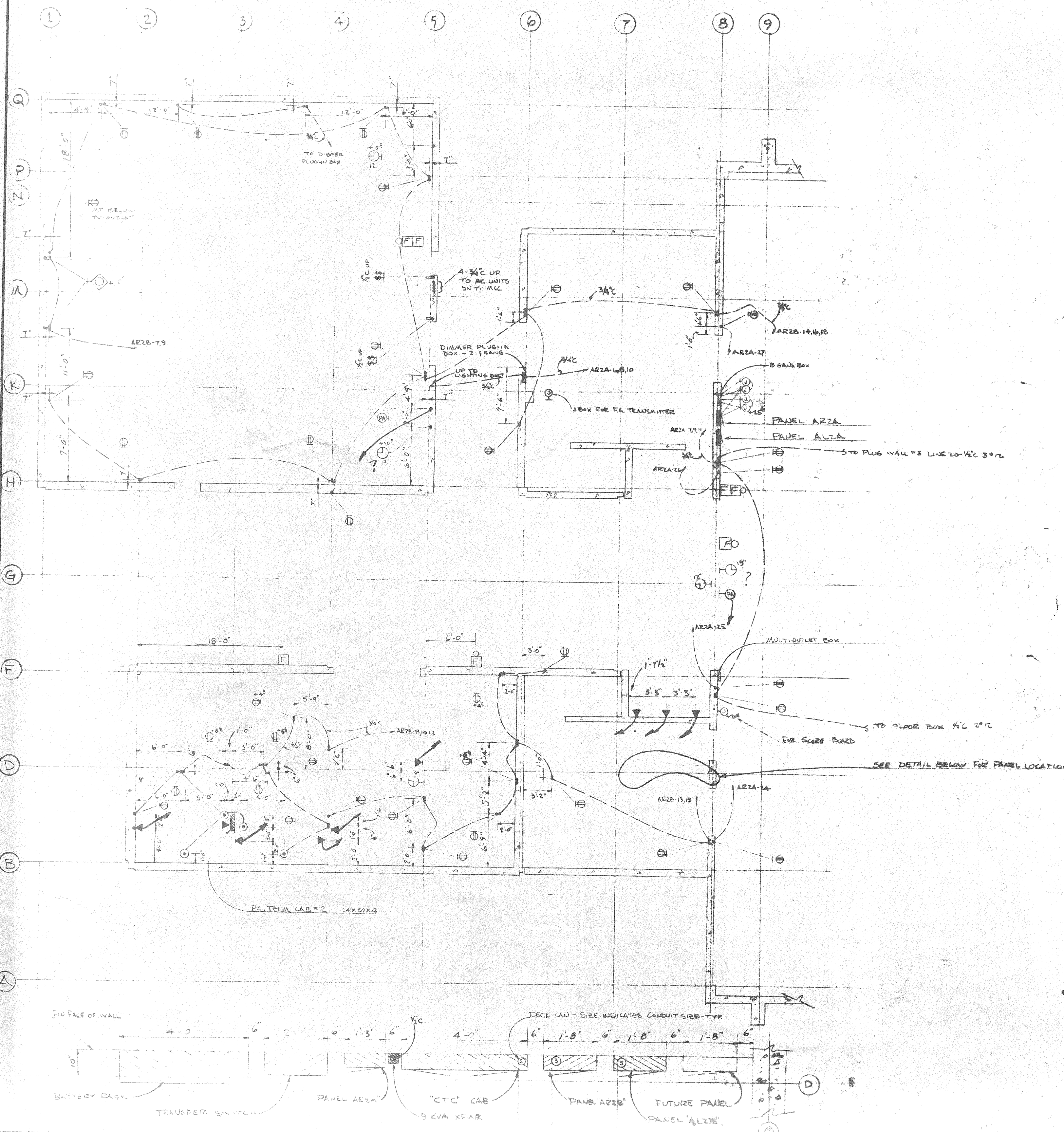
SECTION
 SCALE: 3/4" = 1'-0"



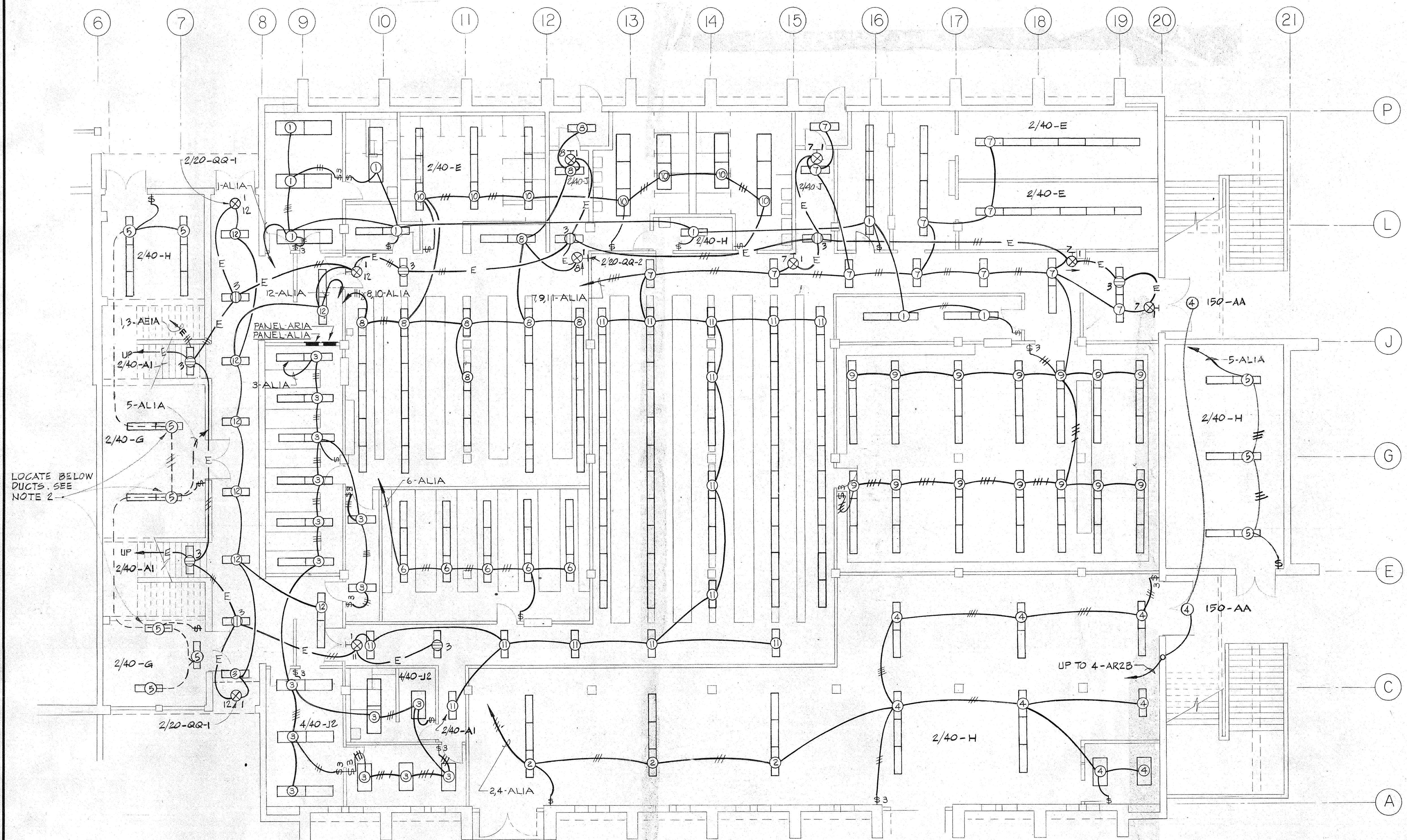
8 OBSERVATION WINDOW
 SCALE: 3/4" = 1'-0"



COLLINS ELECTRIC CO. OF SE
 CANADA N.T.S.
 BLDG. A SECOND FLOOR SCAB PARTIAL
 DATE 7-11-68 APPROVED BY [Signature] DRAWING NUMBER 05-34



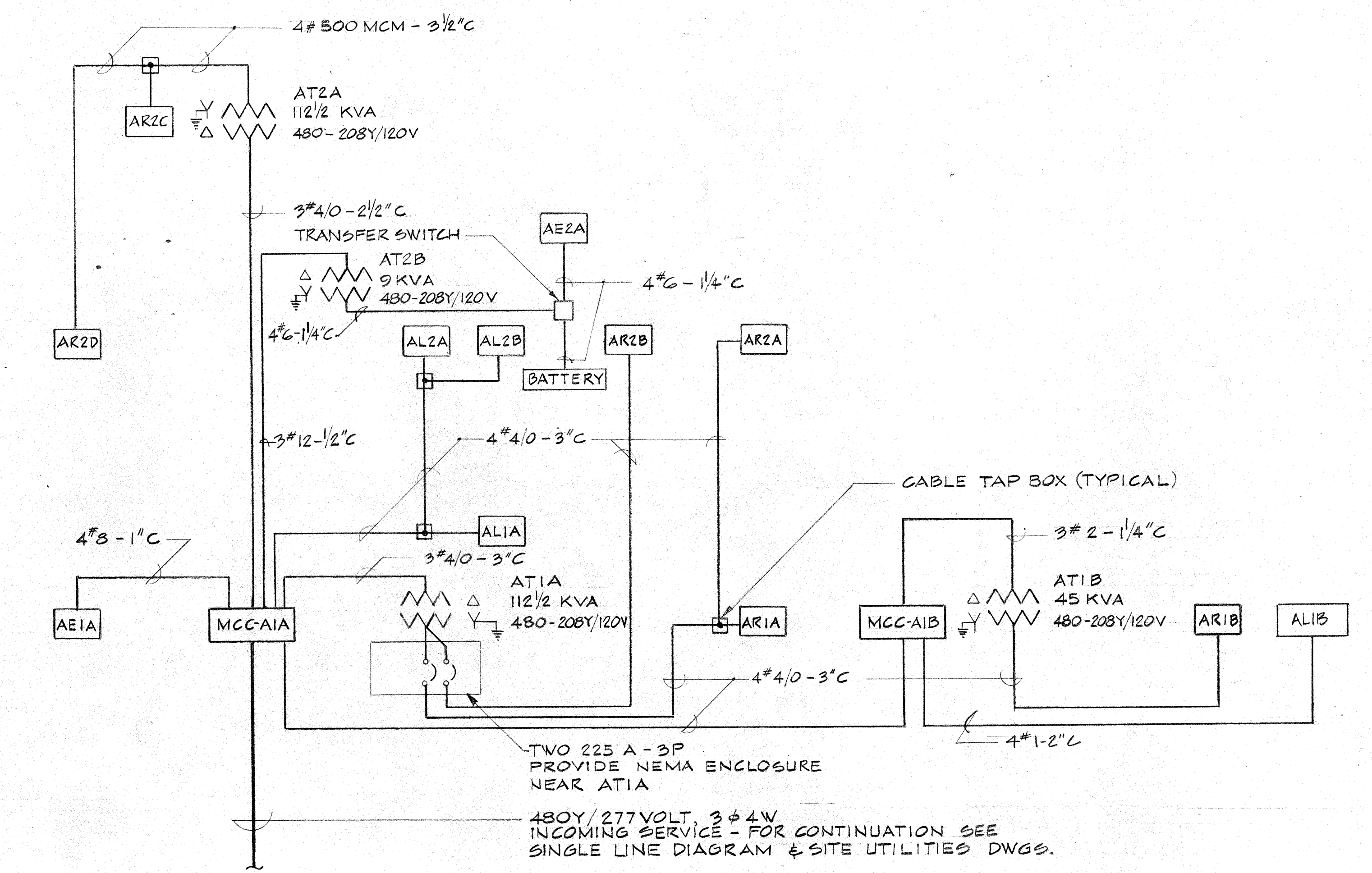
COLLINS ELECTRIC Co. of S.F.		
CANADA COLLEGE	SCALE N.T.S.	DRAWN BY J.S.B.
BLDG "A" SECOND FLOOR SLAB LAYOUT - PARTIAL		
DATE 10.15.66	APPROVED BY	DRAWING NUMBER CE-40



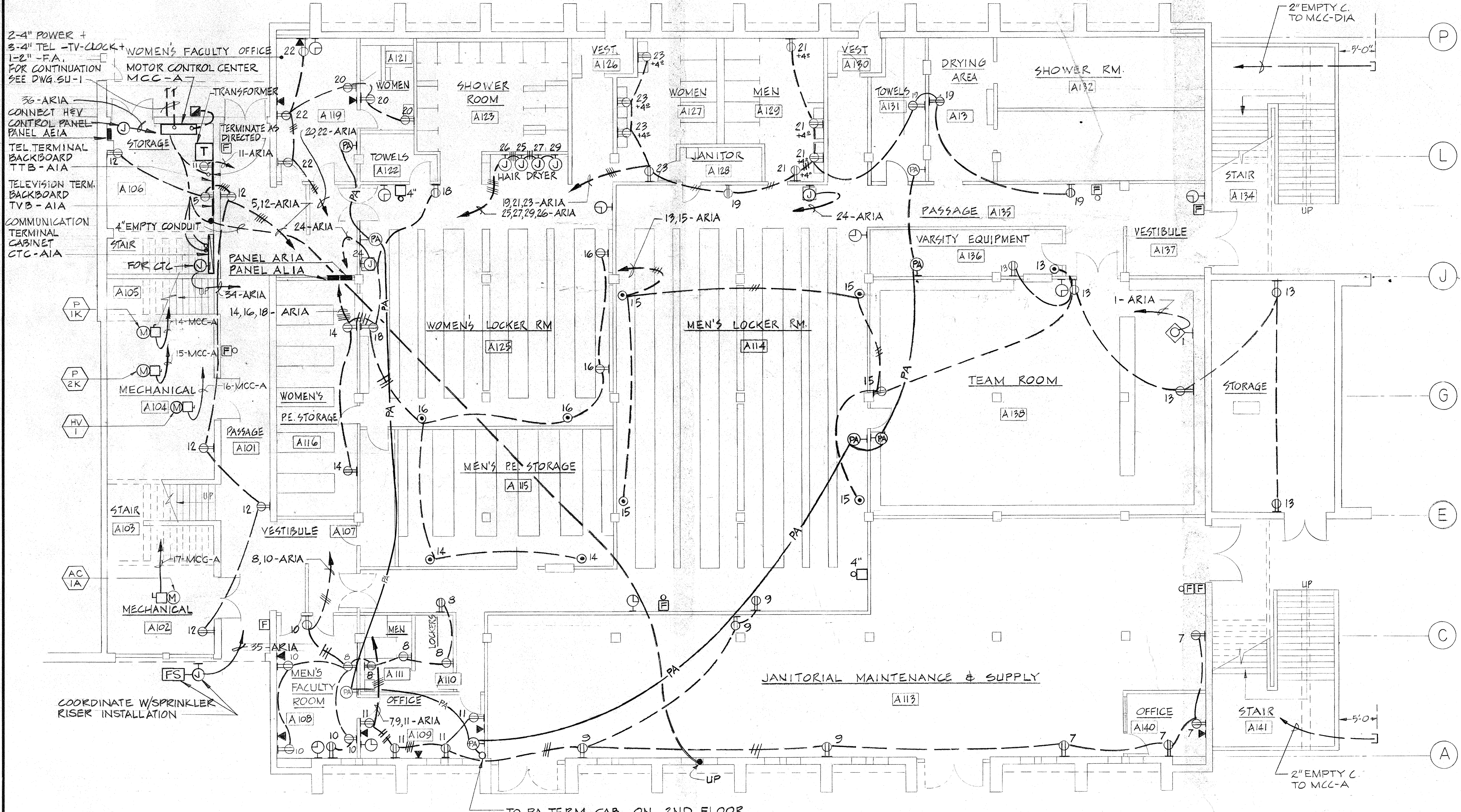
FIRST FLOOR PLAN - LIGHTING
SCALE 1/8" = 1'-0"

SCHEDULE OF LIGHTING FIXTURES	
LOCATION	TYPE
TEAM ROOM, LOCKERS, PE STORAGE, VESTIBULES, PASSAGES, TOWELS, DRYING	2/40 - A1
OFFICES, MEN, WOMEN	4/40 - J2
EXITS	2/20 - QQ
ALL OTHERS UNLESS NOTED ON PLANS	4/40 - J2

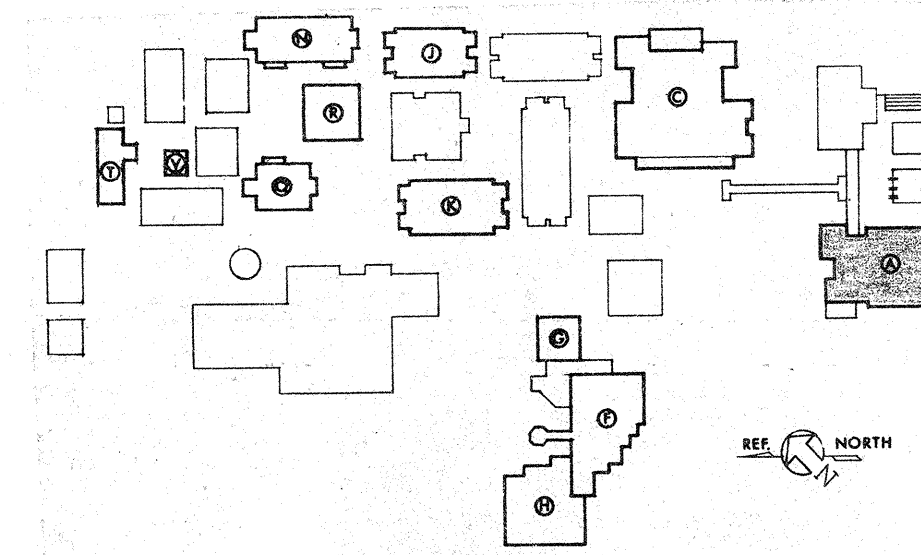
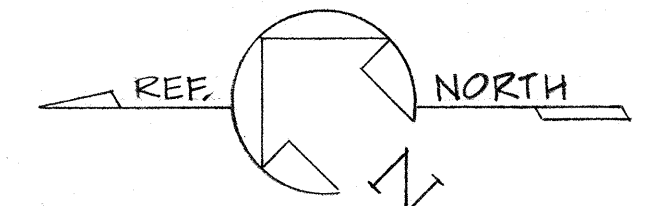
- NOTES:
- SEE SHEETS E-S1 THROUGH E-S4 E-S1 SYMBOLS, NOTES & FIXTURES E-S2 DIAGRAMS & DETAILS E-S3 & 4 PANEL SCHEDULES
 - ALL ELECTRICAL WORK IN MECHANICAL ROOMS SHALL BE RUN EXPOSED, AND COORDINATED WITH MECHANICAL EQUIPMENT. FIXTURES SHALL BE LOCATED AFTER EQUIPMENT IS INSTALLED.
 - REFER TO ARCHITECTURAL REFLECTED CEILING PLANS AND INTERIOR ELEVATIONS FOR EXACT LOCATIONS OF FIXTURES AND ELECTRICAL EQUIPMENT.



BUILDING "A" RISER DIAGRAM



FIRST FLOOR PLAN - MISCELLANEOUS
SCALE 1/8" = 1'-0"

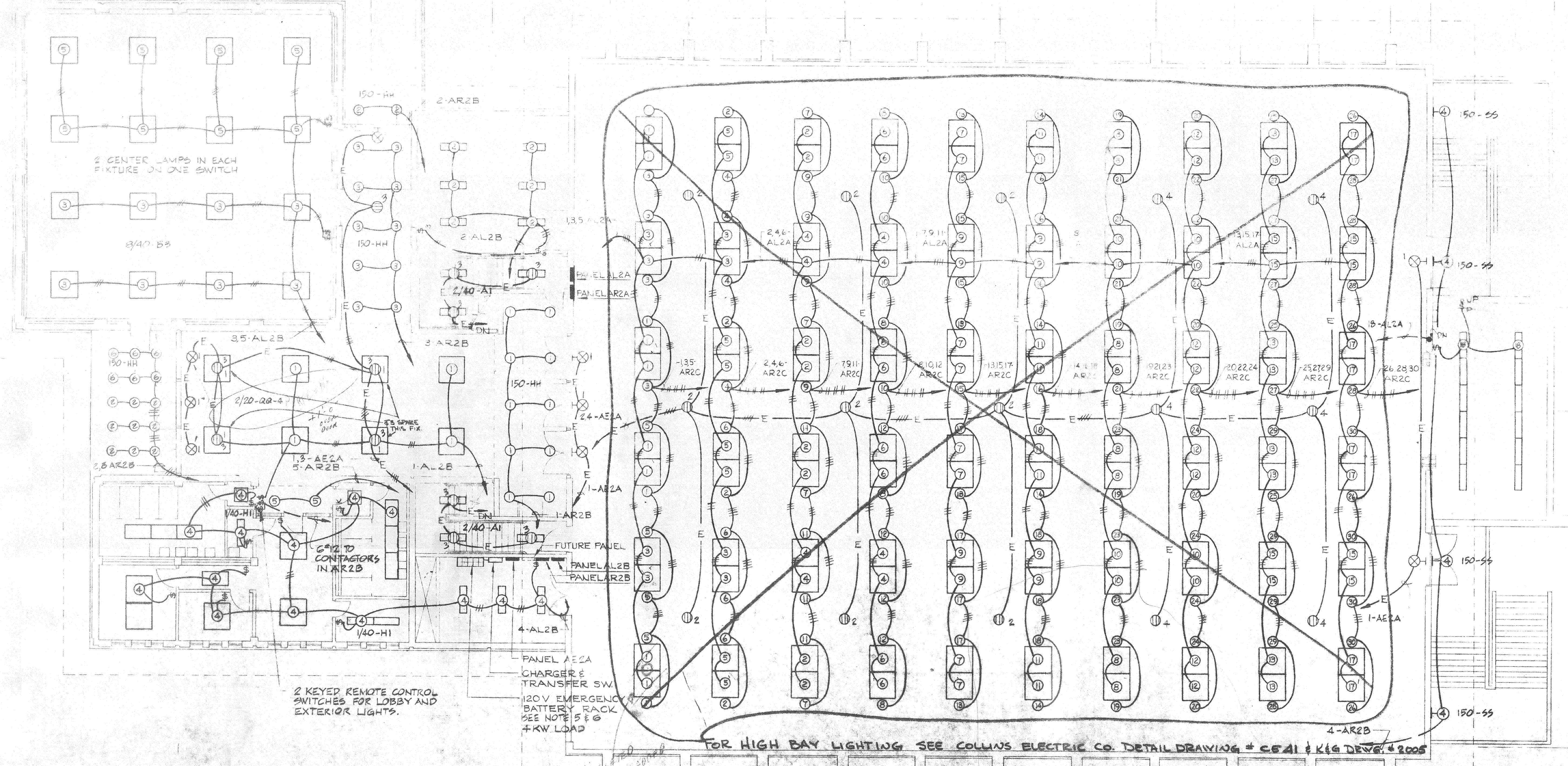


ELECTRICAL
1ST FLOOR PLANS
SCALE 1/8" = 1'-0" DATE 2-20-67 JOB NO. 5490

JOHN A. RUDER & ASSOC. ENGINEERS
 CIVIL & STRUCTURAL ENGINEERS
 KEELER & GANNON
 MECHANICAL & ELECTRICAL ENGINEERS
 DOUGLAS BAYLIS
 LANDSCAPE ARCHITECT
 SAN FRANCISCO, CALIFORNIA
 WELTON BECKET AND ASSOCIATES
 ARCHITECTS
 153 MAIDEN LANE, SAN FRANCISCO, CALIFORNIA
 SAN MATEO JUNIOR COLLEGE DISTRICT
 SOUTH CAMPUS
 REDWOOD CITY, CALIFORNIA
 JULIO L. BORTOLUZZO
 SUPERINTENDENT
 SAN MATEO JUNIOR COLLEGE DISTRICT
 MARIO V. TAVARRO
 BUSINESS MANAGER
 SAN MATEO JUNIOR COLLEGE DISTRICT
E-1
 BLDG. A

NOTES:

- SEE NOTES 1 TO 3 ON SHEET E-1
- SECURE BATTERY RACK TO FLOOR
- OUTLETS FOR 1/4 HP MOTOR-OPERATED BACKSTOPS. SEE ARCHITECTURAL PLANS FOR EXACT LOCATION AND INSTALLATION DETAILS. CONTRACTOR SHALL INSTALL AND CONNECT UNITS & SWITCHES FURNISHED BY OTHERS.



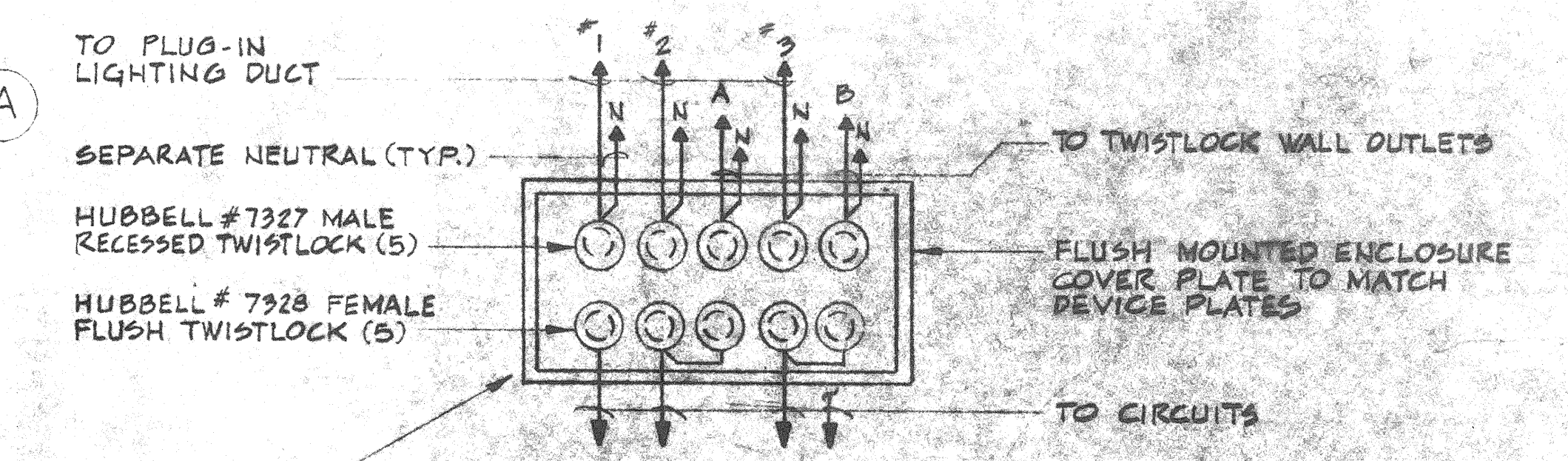
SECOND FLOOR PLAN - LIGHTING
SCALE 1/8" = 1'-0"

CONTRACTOR DIMMER (50W) FOR PANEL AR2C
PANEL AR2C

SCHEDULE OF LIGHTING FIXTURES

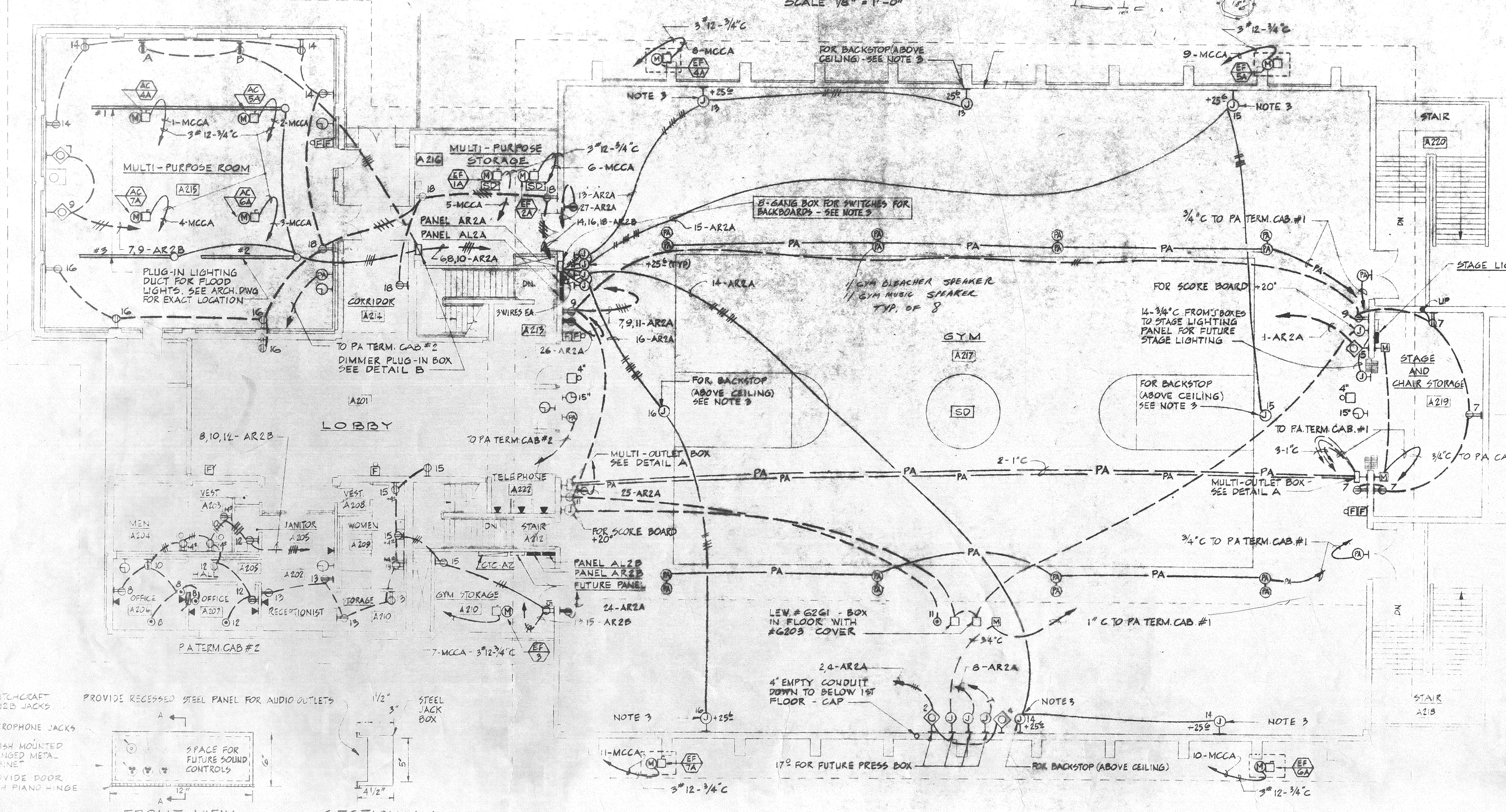
LOCATION	TYPE
GYM - ALL FLUORESCENTS	8'40"-K
GYM - INCANDESCENT FIXTURES	300-HH-1
GYM - INCANDESCENT FIXTURES ON EMERGENCY	150-T
LOBBY, RECEPTIONIST, OFFICES	8'40-J5
WOMEN, MEN	4'40-J2
STORAGE	2'40-H
VESTIBULES	4'20-J1
EXITS	2'20-QQ3
ALL OTHERS UNLESS NOTED ON PLAN	4'40-J2

LIGHTING MECHANICAL ROOM ABOVE STAGE AND CHAIR STORAGE
SCALE 1/8" = 1'-0"



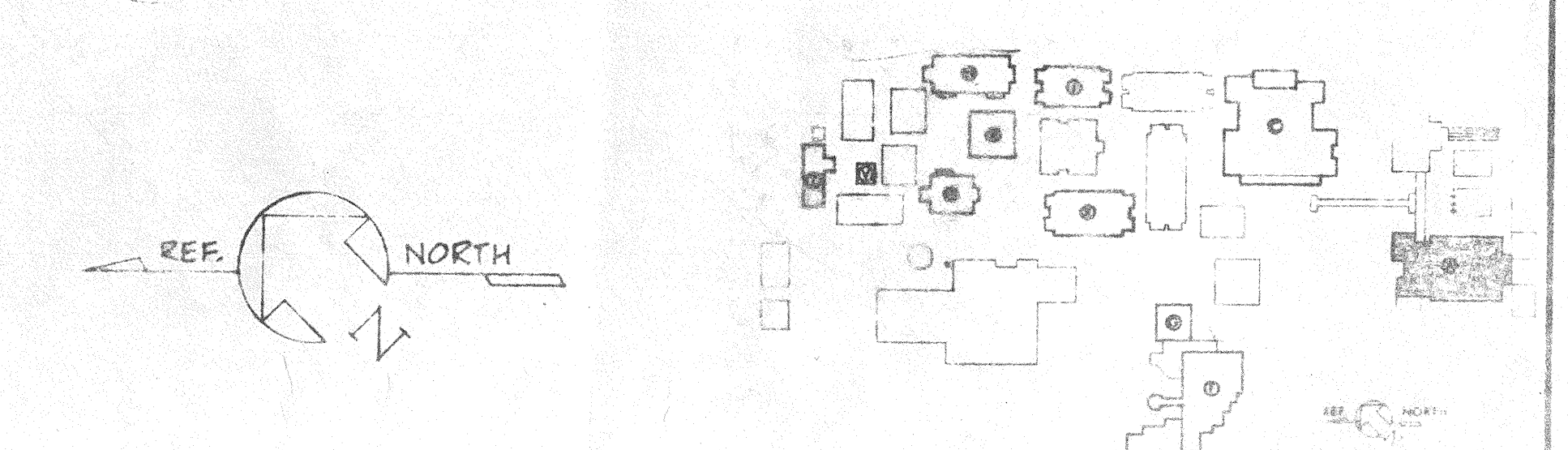
NOTE: PROVIDE 5 CORDS 18" LONG WITH MATCHING END CAPS FOR CROSS-CONNECTION WHEN NOT USING DIMMER. (DIMMER N.Y.C.)

DIMMER PLUG-IN BOX - DETAIL B
NO SCALE



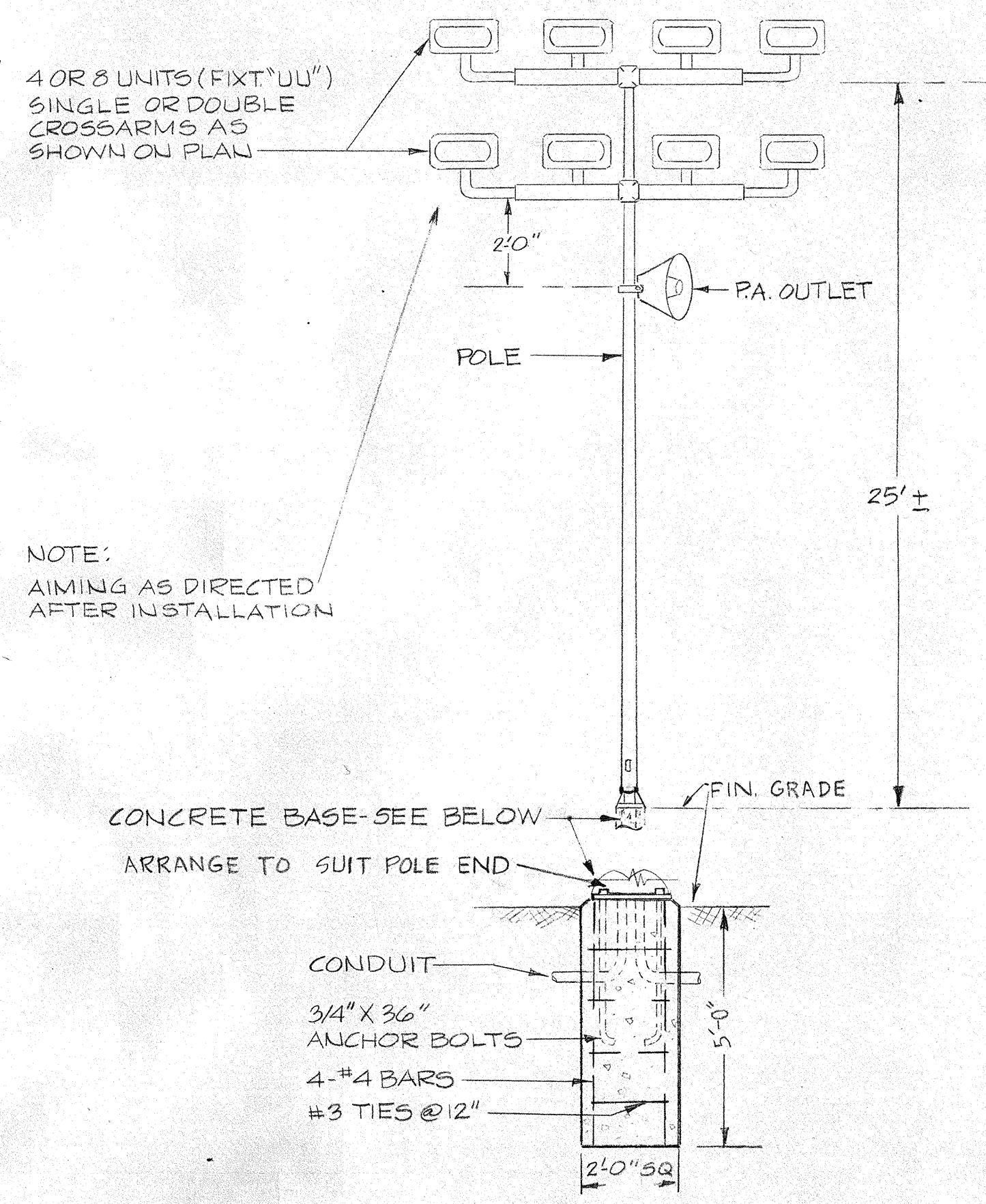
SECOND FLOOR PLAN - MISCELLANEOUS
SCALE 1/8" = 1'-0"

MISCELLANEOUS SYSTEMS MECHANICAL ROOM ABOVE STAGE AND CHAIR STORAGE
SCALE 1/8" = 1'-0"

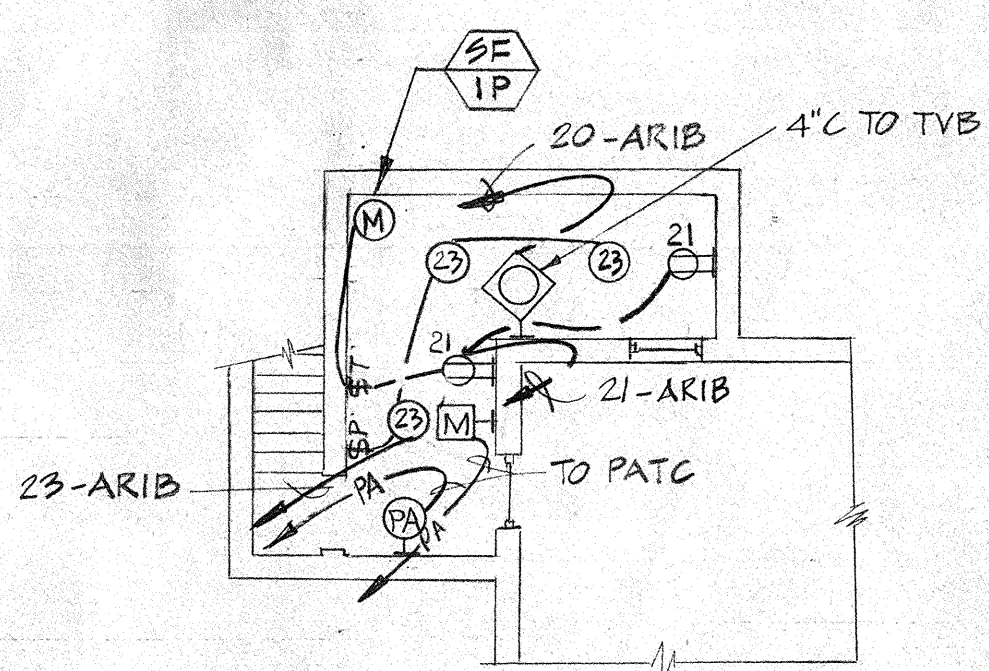


FRONT VIEW MULTI-OUTLET BOX - DETAIL A
NO SCALE

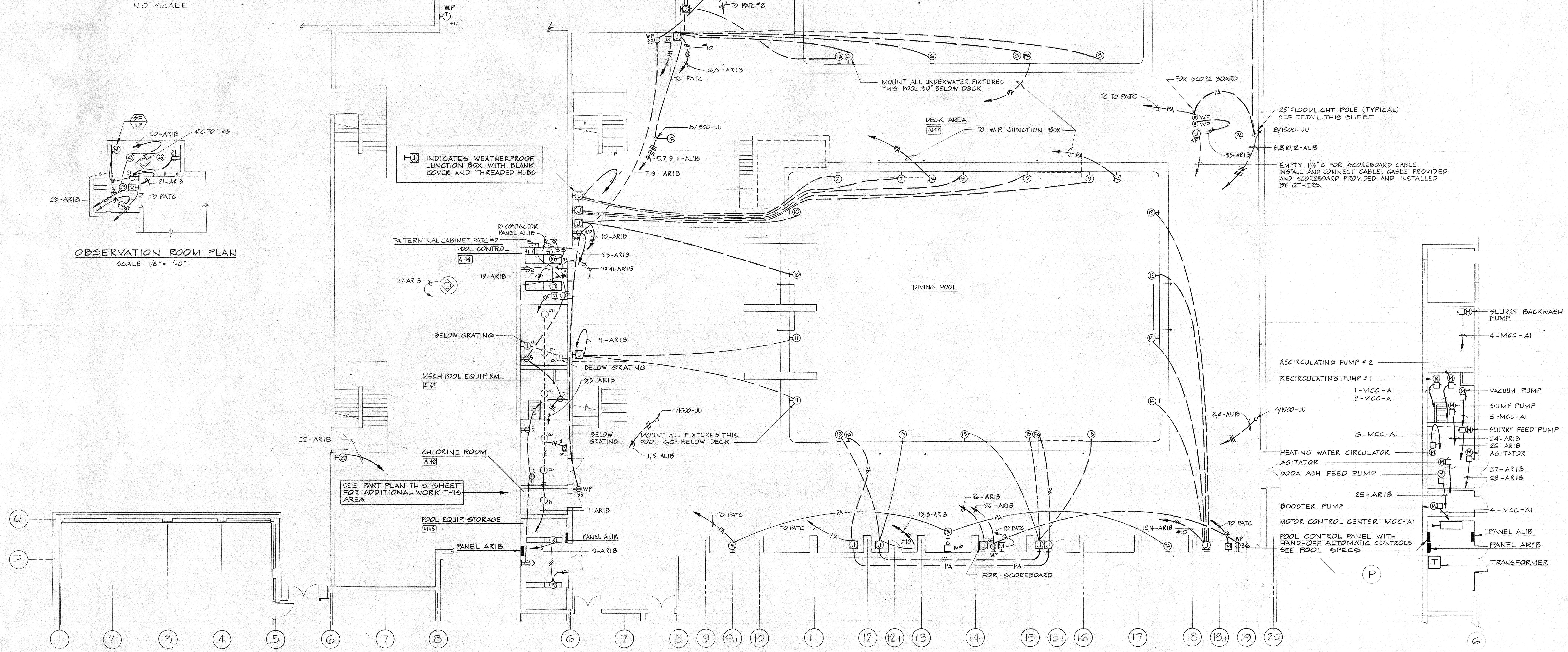
JOHN A. BURKE & ASSOC., ENGINEERS CIVIL & STRUCTURAL ENGINEER REGISTERED PROFESSIONAL ENGINEERS MICROCRAFT ARCHITECTS ARCHITECTS REGISTERED PROFESSIONAL ARCHITECTS SAN FRANCISCO, CALIFORNIA
 WELTON BECKETT AND ASSOCIATES - CHAN/RADER AND ASSOCIATES ARCHITECTS 153 MAIDEN LANE, SAN FRANCISCO, CALIFORNIA
 SAN MATEO JUNIOR COLLEGE DISTRICT SOUTH CAMPUS REDWOOD CITY, CALIFORNIA
 THESE PLANS WERE SUPERSEDED BY THE 2000 SAN MATEO JUNIOR COLLEGE DISTRICT ELECTRICAL 2ND FLOOR PLANS



FIXTURE "UU" AND POLE DETAIL
NO SCALE



OBSERVATION ROOM PLAN
SCALE 1/8" = 1'-0"



POOL FLOOR PLAN - ELECTRICAL
SCALE 1/8" = 1'-0"

PART PLAN POOL EQUIPMENT
SCALE 1/8" = 1'-0"

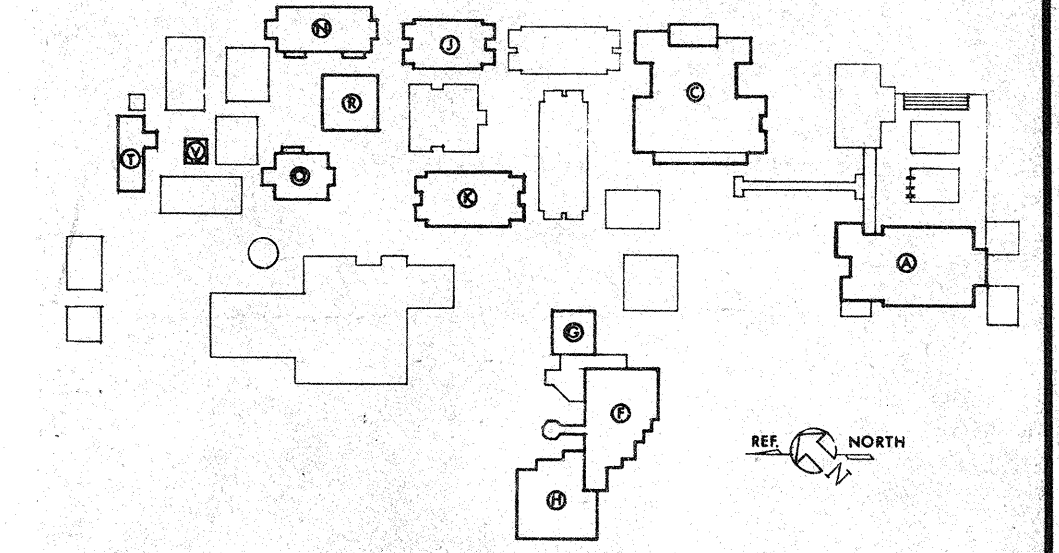
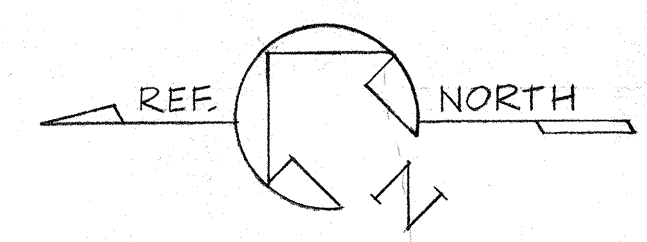
2ND FLOOR PLAN - MAIN ENTRANCE LEVEL
SCALE 1/8" = 1'-0"

- POOL NOTES:**
1. ALL METALLIC EQUIPMENT SHALL BE SUITABLY BONDED TO THE STRUCTURAL REINFORCING STEEL AS REQUIRED UNDER THE GROUNDING SECTIONS OF THE NATIONAL ELECTRIC CODE.
 2. PROVIDE 3/4" SCHEDULE 40 BRASS PIPE WITH COUPLING FROM UNDERWATER TO FIRST JUNCTION BOXES. CABLE FROM FIXTURES TO FIRST JUNCTION BOXES TO BE PROVIDED WITH FIXTURE.
 3. PROVIDE GROUNDING CONDUCTORS AS REQUIRED BY NATIONAL ELECTRIC CODE IN ALL CONDUITS.

NOTES:
1. SEE NOTES 1 TO 3 ON SHEET E-1

LOCATION	TYPE
POOLS - SEE SPECIFICATIONS	500 WATTS
POOL CONTROL	2/40 - A
EQUIPMENT ROOM	300 - MM
CHLORINE	200 - NN-1
STORAGE	1/40 - H-1
OBSERVATION ROOM	300 - MM
ALL OTHERS UNLESS NOTED ON PLANS	2/40 - J2

25' FLOODLIGHT POLE (TYPICAL) SEE DETAIL, THIS SHEET
EMPTY 1/4" FOR SCOREBOARD CABLE. INSTALL AND CONNECT CABLE. CABLE PROVIDED AND SCOREBOARD PROVIDED AND INSTALLED BY OTHERS.



ELECTRICAL POOL FLOOR PLAN
SCALE AS SHOWN DATE 2-20-67 JOB NO. 54-90

TYPE	DESCRIPTION	MANUFACTURER	TYPE	DESCRIPTION	MANUFACTURER
AA	INCANDESCENT SURFACE UNIT, 4" LONG x 1 1/2" WIDE MAXIMUM, WITH 2" x 2" PANELS OF FLAT WHITE PRISMATIC, 1/8" THICK MINIMUM, RIGIDLY MOUNTED. FRAME FOR SHOCK RELIEF. HANGING BY 2" x 2" STEEL RODS & FRAME HANGING CAPTIVE SCREWS. FINISH AS DIRECTED. SEE NOTE 6.	ALCOE # 7500 SERIES, OR EQUAL.	BB	INCANDESCENT SURFACE UNIT, 4" LONG x 1 1/2" WIDE MAXIMUM, WITH 2" x 2" PANELS OF FLAT WHITE PRISMATIC, 1/8" THICK MINIMUM, RIGIDLY MOUNTED. FRAME FOR SHOCK RELIEF. HANGING BY 2" x 2" STEEL RODS & FRAME HANGING CAPTIVE SCREWS. FINISH AS DIRECTED. SEE NOTE 6.	ALCOE # 7500 SERIES, OR EQUAL.
CC	INCANDESCENT SURFACE UNIT, 4" LONG x 1 1/2" WIDE MAXIMUM, WITH 2" x 2" PANELS OF FLAT WHITE PRISMATIC, 1/8" THICK MINIMUM, RIGIDLY MOUNTED. FRAME FOR SHOCK RELIEF. HANGING BY 2" x 2" STEEL RODS & FRAME HANGING CAPTIVE SCREWS. FINISH AS DIRECTED. SEE NOTE 6.	ALCOE # 7500 SERIES, OR EQUAL.	DD	INCANDESCENT SURFACE UNIT, 4" LONG x 1 1/2" WIDE MAXIMUM, WITH 2" x 2" PANELS OF FLAT WHITE PRISMATIC, 1/8" THICK MINIMUM, RIGIDLY MOUNTED. FRAME FOR SHOCK RELIEF. HANGING BY 2" x 2" STEEL RODS & FRAME HANGING CAPTIVE SCREWS. FINISH AS DIRECTED. SEE NOTE 6.	ALCOE # 7500 SERIES, OR EQUAL.
EE	INCANDESCENT SURFACE UNIT, 4" LONG x 1 1/2" WIDE MAXIMUM, WITH 2" x 2" PANELS OF FLAT WHITE PRISMATIC, 1/8" THICK MINIMUM, RIGIDLY MOUNTED. FRAME FOR SHOCK RELIEF. HANGING BY 2" x 2" STEEL RODS & FRAME HANGING CAPTIVE SCREWS. FINISH AS DIRECTED. SEE NOTE 6.	ALCOE # 7500 SERIES, OR EQUAL.	FF	INCANDESCENT SURFACE UNIT, 4" LONG x 1 1/2" WIDE MAXIMUM, WITH 2" x 2" PANELS OF FLAT WHITE PRISMATIC, 1/8" THICK MINIMUM, RIGIDLY MOUNTED. FRAME FOR SHOCK RELIEF. HANGING BY 2" x 2" STEEL RODS & FRAME HANGING CAPTIVE SCREWS. FINISH AS DIRECTED. SEE NOTE 6.	ALCOE # 7500 SERIES, OR EQUAL.
GG	INCANDESCENT SURFACE UNIT, 4" LONG x 1 1/2" WIDE MAXIMUM, WITH 2" x 2" PANELS OF FLAT WHITE PRISMATIC, 1/8" THICK MINIMUM, RIGIDLY MOUNTED. FRAME FOR SHOCK RELIEF. HANGING BY 2" x 2" STEEL RODS & FRAME HANGING CAPTIVE SCREWS. FINISH AS DIRECTED. SEE NOTE 6.	ALCOE # 7500 SERIES, OR EQUAL.	HH	INCANDESCENT SURFACE UNIT, 4" LONG x 1 1/2" WIDE MAXIMUM, WITH 2" x 2" PANELS OF FLAT WHITE PRISMATIC, 1/8" THICK MINIMUM, RIGIDLY MOUNTED. FRAME FOR SHOCK RELIEF. HANGING BY 2" x 2" STEEL RODS & FRAME HANGING CAPTIVE SCREWS. FINISH AS DIRECTED. SEE NOTE 6.	ALCOE # 7500 SERIES, OR EQUAL.
II	INCANDESCENT SURFACE UNIT, 4" LONG x 1 1/2" WIDE MAXIMUM, WITH 2" x 2" PANELS OF FLAT WHITE PRISMATIC, 1/8" THICK MINIMUM, RIGIDLY MOUNTED. FRAME FOR SHOCK RELIEF. HANGING BY 2" x 2" STEEL RODS & FRAME HANGING CAPTIVE SCREWS. FINISH AS DIRECTED. SEE NOTE 6.	ALCOE # 7500 SERIES, OR EQUAL.	JJ	INCANDESCENT SURFACE UNIT, 4" LONG x 1 1/2" WIDE MAXIMUM, WITH 2" x 2" PANELS OF FLAT WHITE PRISMATIC, 1/8" THICK MINIMUM, RIGIDLY MOUNTED. FRAME FOR SHOCK RELIEF. HANGING BY 2" x 2" STEEL RODS & FRAME HANGING CAPTIVE SCREWS. FINISH AS DIRECTED. SEE NOTE 6.	ALCOE # 7500 SERIES, OR EQUAL.
KK	INCANDESCENT SURFACE UNIT, 4" LONG x 1 1/2" WIDE MAXIMUM, WITH 2" x 2" PANELS OF FLAT WHITE PRISMATIC, 1/8" THICK MINIMUM, RIGIDLY MOUNTED. FRAME FOR SHOCK RELIEF. HANGING BY 2" x 2" STEEL RODS & FRAME HANGING CAPTIVE SCREWS. FINISH AS DIRECTED. SEE NOTE 6.	ALCOE # 7500 SERIES, OR EQUAL.	LL	INCANDESCENT SURFACE UNIT, 4" LONG x 1 1/2" WIDE MAXIMUM, WITH 2" x 2" PANELS OF FLAT WHITE PRISMATIC, 1/8" THICK MINIMUM, RIGIDLY MOUNTED. FRAME FOR SHOCK RELIEF. HANGING BY 2" x 2" STEEL RODS & FRAME HANGING CAPTIVE SCREWS. FINISH AS DIRECTED. SEE NOTE 6.	ALCOE # 7500 SERIES, OR EQUAL.
MM	INCANDESCENT SURFACE UNIT, 4" LONG x 1 1/2" WIDE MAXIMUM, WITH 2" x 2" PANELS OF FLAT WHITE PRISMATIC, 1/8" THICK MINIMUM, RIGIDLY MOUNTED. FRAME FOR SHOCK RELIEF. HANGING BY 2" x 2" STEEL RODS & FRAME HANGING CAPTIVE SCREWS. FINISH AS DIRECTED. SEE NOTE 6.	ALCOE # 7500 SERIES, OR EQUAL.	NN	INCANDESCENT SURFACE UNIT, 4" LONG x 1 1/2" WIDE MAXIMUM, WITH 2" x 2" PANELS OF FLAT WHITE PRISMATIC, 1/8" THICK MINIMUM, RIGIDLY MOUNTED. FRAME FOR SHOCK RELIEF. HANGING BY 2" x 2" STEEL RODS & FRAME HANGING CAPTIVE SCREWS. FINISH AS DIRECTED. SEE NOTE 6.	ALCOE # 7500 SERIES, OR EQUAL.
PP	INCANDESCENT SURFACE UNIT, 4" LONG x 1 1/2" WIDE MAXIMUM, WITH 2" x 2" PANELS OF FLAT WHITE PRISMATIC, 1/8" THICK MINIMUM, RIGIDLY MOUNTED. FRAME FOR SHOCK RELIEF. HANGING BY 2" x 2" STEEL RODS & FRAME HANGING CAPTIVE SCREWS. FINISH AS DIRECTED. SEE NOTE 6.	ALCOE # 7500 SERIES, OR EQUAL.	QQ	INCANDESCENT SURFACE UNIT, 4" LONG x 1 1/2" WIDE MAXIMUM, WITH 2" x 2" PANELS OF FLAT WHITE PRISMATIC, 1/8" THICK MINIMUM, RIGIDLY MOUNTED. FRAME FOR SHOCK RELIEF. HANGING BY 2" x 2" STEEL RODS & FRAME HANGING CAPTIVE SCREWS. FINISH AS DIRECTED. SEE NOTE 6.	ALCOE # 7500 SERIES, OR EQUAL.
RR	INCANDESCENT SURFACE UNIT, 4" LONG x 1 1/2" WIDE MAXIMUM, WITH 2" x 2" PANELS OF FLAT WHITE PRISMATIC, 1/8" THICK MINIMUM, RIGIDLY MOUNTED. FRAME FOR SHOCK RELIEF. HANGING BY 2" x 2" STEEL RODS & FRAME HANGING CAPTIVE SCREWS. FINISH AS DIRECTED. SEE NOTE 6.	ALCOE # 7500 SERIES, OR EQUAL.	SS	INCANDESCENT SURFACE UNIT, 4" LONG x 1 1/2" WIDE MAXIMUM, WITH 2" x 2" PANELS OF FLAT WHITE PRISMATIC, 1/8" THICK MINIMUM, RIGIDLY MOUNTED. FRAME FOR SHOCK RELIEF. HANGING BY 2" x 2" STEEL RODS & FRAME HANGING CAPTIVE SCREWS. FINISH AS DIRECTED. SEE NOTE 6.	ALCOE # 7500 SERIES, OR EQUAL.
TT	INCANDESCENT SURFACE UNIT, 4" LONG x 1 1/2" WIDE MAXIMUM, WITH 2" x 2" PANELS OF FLAT WHITE PRISMATIC, 1/8" THICK MINIMUM, RIGIDLY MOUNTED. FRAME FOR SHOCK RELIEF. HANGING BY 2" x 2" STEEL RODS & FRAME HANGING CAPTIVE SCREWS. FINISH AS DIRECTED. SEE NOTE 6.	ALCOE # 7500 SERIES, OR EQUAL.	UU	INCANDESCENT SURFACE UNIT, 4" LONG x 1 1/2" WIDE MAXIMUM, WITH 2" x 2" PANELS OF FLAT WHITE PRISMATIC, 1/8" THICK MINIMUM, RIGIDLY MOUNTED. FRAME FOR SHOCK RELIEF. HANGING BY 2" x 2" STEEL RODS & FRAME HANGING CAPTIVE SCREWS. FINISH AS DIRECTED. SEE NOTE 6.	ALCOE # 7500 SERIES, OR EQUAL.
VV	INCANDESCENT SURFACE UNIT, 4" LONG x 1 1/2" WIDE MAXIMUM, WITH 2" x 2" PANELS OF FLAT WHITE PRISMATIC, 1/8" THICK MINIMUM, RIGIDLY MOUNTED. FRAME FOR SHOCK RELIEF. HANGING BY 2" x 2" STEEL RODS & FRAME HANGING CAPTIVE SCREWS. FINISH AS DIRECTED. SEE NOTE 6.	ALCOE # 7500 SERIES, OR EQUAL.			

1. ALL LIGHTING FIXTURES SHALL BE INSTALLED IN ACCORDANCE WITH THE NATIONAL ELECTRICAL CODE, 1963 EDITION, AND THE CALIFORNIA ELECTRICAL CODE, 1963 EDITION, AND THE CALIFORNIA ADMINISTRATIVE CODE, PARAGRAPH 24717, CODED IN PART AS FOLLOWS: "A. FIXTURE WHICH WEIGHS MORE THAN 10 POUNDS SHALL BE SUPPORTED INDIVIDUALLY BY THE OUTLET FROM WHICH IT IS SUPPLIED. THE SUPPORT SHALL BE A HARDENED STEEL ROD AND SHALL BE OF SUCH STRENGTH TO SUPPORT AT LEAST FOUR TIMES THE WEIGHT OF THE LIGHTING FIXTURE. IN ADDITION, FIXTURE HANGERS (WHERE APPLICABLE) SHALL PERMIT THE FIXTURE TO SWING IN ANY DIRECTION.

2. THIS DRAWING IS ISSUED AS A MASTER SHEET FOR ALL BUILDINGS, EXCEPT AS NOTED OTHERWISE. THIS DRAWING IS NOT TO BE APPLIED TO ANY SPECIFIC BUILDING, EXCEPT AS NOTED OTHERWISE.

3. ALL ELECTRICAL OUTLETS, TELEPHONE OUTLETS, JUNCTION BOXES, ETC., WHICH ARE WALL MOUNTED SHALL NOT BE INSTALLED AGAIN TO BACK IN ORDER TO MINIMIZE SOUND TRANSMISSION THROUGH PARTITIONS. MOUNT "OFFSET" THIS: OUTLET WALL

4. FLOOR OUTLETS AND OUTLETS FOR CONNECTION TO LABORATORY FURNITURE AND OTHER EQUIPMENT SHALL BE LOCATED AS DIRECTED AT THE TIME OF INSTALLATION, AND COORDINATED WITH THE APPROVED SHOP DRAWINGS. SEE TYPICAL DETAIL SHEET 1000.

5. PLUG IN RECEPTACLES WHERE OUTLETS ARE SPECIFIED ON 2 FOOT CENTERS, ETC., THE DISTANCE BETWEEN OUTLETS SHALL BE USED AT EACH END, WHERE 2 OR MORE CIRCUITS ARE INDICATED, OUTLETS SHALL BE WIRED ALTERNATELY FOR THE NUMBER OF CIRCUITS REQUIRED.

6. ALL CONDUITS STUBBED OUT BEYOND BUILDING FOUNDATION SHALL HAVE 2" O.D. MIN. CONDUIT.

13. SPECIAL FLUORESCENT ASSEMBLY 15" O.D. O.A., COMPOSED OF 12-48" x 18" 4-LAMP FIXTURES & 4-18" SQ. 4-LAMP FIXTURES. FIXTURES TO BE SUPPORTED & ATTACHED TOGETHER BY STRUCTURAL FRAME COMPOSED OF CONTINUOUS ALUM. SIDE ANGLES 3/4" x 1/4" x 1/2" & 1/2" x 1/4" x 3/4" x 1/2" ALUM. TOP FILLER PLATE. ALL EXPOSED METAL PARTS TO BE ALUM. ANODIZED TO SELECTED COLOR. ASSEMBLY TO BE SUPPORTED AT INTERIOR CORNERS BY 4-3/4" O.D. TUBING WITH BALL JOINT AT TOP & BOTTOM WITH BAKED ENAMEL FINISH TO MATCH ALUM. COLOR. VERTICAL O.A. DIM. 1'11" x 3". LENS TO BE PRISMATIC INJECTION MOLDED ACRYLIC PLASTIC BOTTOM PANEL.

14. INCANDESCENT PENDANT FIXTURE, NON-FERROUS METAL 52" LONG; OUTER CYLINDER 1/2" LONG BY 1 1/2" O.D.; INNER CYLINDERS 10" O.D. WITH MAX. 45° LAMP SHIELDING. BODY SUSPENDED ON 1/2" O.D. TUBING WITH CONCEALED SWIVEL MECHANISM 7/8" O.A. FINISH OUTER CYLINDER 5/8" STEM OIL RUBBER BRONZE, INNER CYLINDER MATTE WHITE BAKED ENAMEL. INSIDE FINISH OF OUTER & UPPER CYLINDER MATTE WHITE BAKED ENAMEL. LOWER CYLINDER FLAT BLACK BAKED ENAMEL. WATTAGE 2-75W & 1-500W. FIXTURE FOR EXTERIOR USE.

15. INCANDESCENT PENDANT FIXTURE 59" LONG; BODY SUSPENDED ON 1/2" O.D. TUBING WITH CONCEALED SWIVEL MECHANISM. OUTER CYLINDER 14" O.D. WITH 3/4" CLEAN RETURN ON TOP & BOTTOM, & 1/4" x 1/4" SLOTS SPACED 1" APART. DOWN FROM TOP. CENTER CYLINDER 8 1/2" O.D.; INNER CYLINDER 9 1/2" O.D. ELEV. HEIGHTS OF CYL. TOP TO BOTTOM 18" & 21" & 24". LENGTH OF CYLINDER TO EFFECT 45° SHIELDING OF 1500 WATT LAMP. OUTSIDE FINISH OF OUTER CYL., STEM & CANOPY BAKED ENAMEL AS SELECTED. INSIDE FINISH OF ALL CYL. & OUTSIDE OF CENTER & INNER CYL. MATTE WHITE BAKED ENAMEL.

LIGHTING FIXTURE NOTES CONTINUED

1. ALL FIXTURES OTHER THAN FIRST ONE OF EACH TYPE DESCRIBED SHALL BE SUBJECT TO APPROVAL.

2. 2" CHASSIS USING 4 LAMPS MAY BE UTILIZED, INSTEAD OF 4 FIXTURES WHERE SHOWN IN TANDUM.

3. RECESSED FIXTURES SHALL BE OF A TYPE AND FITTED WITH SUITABLE ACCESSORIES FOR THE TYPE OF CEILING IN WHICH THEY ARE INSTALLED.

4. ALL FIXTURES SHALL HAVE RAPID START LAMPS & BALLASTS. FIXTURES USING 20 WATT LAMPS SHALL HAVE HPP TRIGGER START BALLASTS.

5. ALL FLUORESCENT FIXTURES ARE FOR 277 VOLT OPERATION, UNLESS INDICATED 120 VOLT ON THE DRAWINGS.

6. PROVIDE DETAILED SHOP DRAWINGS FOR APPROVAL AS REQUIRED.

7. LAMPS USED IN TANDUM OR CONTIGUOUS ROWS SHALL BE PROVIDED WITH OUTER BANDS OR CONNECTORS TO CLOSE COUPLE THE FIXTURES.

8. WHERE ANY PLATE IS REQUIRED IT SHALL BE 100% VIRGIN NYLON AND MINIMUM THICKNESS 1/8" DESTAGGLED.

9. ALL ELECTRICAL SYMBOLS TO BE PROVIDED BY NATIONAL ELECTRICAL CODE, 1963 EDITION, AND THE CALIFORNIA ELECTRICAL CODE, 1963 EDITION, AND THE CALIFORNIA ADMINISTRATIVE CODE, PARAGRAPH 24717, CODED IN PART AS FOLLOWS: "A. FIXTURE WHICH WEIGHS MORE THAN 10 POUNDS SHALL BE SUPPORTED INDIVIDUALLY BY THE OUTLET FROM WHICH IT IS SUPPLIED. THE SUPPORT SHALL BE A HARDENED STEEL ROD AND SHALL BE OF SUCH STRENGTH TO SUPPORT AT LEAST FOUR TIMES THE WEIGHT OF THE LIGHTING FIXTURE. IN ADDITION, FIXTURE HANGERS (WHERE APPLICABLE) SHALL PERMIT THE FIXTURE TO SWING IN ANY DIRECTION.

LIGHTING FIXTURE NOTES

1. ALL FIXTURES OTHER THAN FIRST ONE OF EACH TYPE DESCRIBED SHALL BE SUBJECT TO APPROVAL.

2. 2" CHASSIS USING 4 LAMPS MAY BE UTILIZED, INSTEAD OF 4 FIXTURES WHERE SHOWN IN TANDUM.

3. RECESSED FIXTURES SHALL BE OF A TYPE AND FITTED WITH SUITABLE ACCESSORIES FOR THE TYPE OF CEILING IN WHICH THEY ARE INSTALLED.

4. ALL FIXTURES SHALL HAVE RAPID START LAMPS & BALLASTS. FIXTURES USING 20 WATT LAMPS SHALL HAVE HPP TRIGGER START BALLASTS.

5. ALL FLUORESCENT FIXTURES ARE FOR 277 VOLT OPERATION, UNLESS INDICATED 120 VOLT ON THE DRAWINGS.

6. PROVIDE DETAILED SHOP DRAWINGS FOR APPROVAL AS REQUIRED.

7. LAMPS USED IN TANDUM OR CONTIGUOUS ROWS SHALL BE PROVIDED WITH OUTER BANDS OR CONNECTORS TO CLOSE COUPLE THE FIXTURES.

8. WHERE ANY PLATE IS REQUIRED IT SHALL BE 100% VIRGIN NYLON AND MINIMUM THICKNESS 1/8" DESTAGGLED.

9. ALL ELECTRICAL SYMBOLS TO BE PROVIDED BY NATIONAL ELECTRICAL CODE, 1963 EDITION, AND THE CALIFORNIA ELECTRICAL CODE, 1963 EDITION, AND THE CALIFORNIA ADMINISTRATIVE CODE, PARAGRAPH 24717, CODED IN PART AS FOLLOWS: "A. FIXTURE WHICH WEIGHS MORE THAN 10 POUNDS SHALL BE SUPPORTED INDIVIDUALLY BY THE OUTLET FROM WHICH IT IS SUPPLIED. THE SUPPORT SHALL BE A HARDENED STEEL ROD AND SHALL BE OF SUCH STRENGTH TO SUPPORT AT LEAST FOUR TIMES THE WEIGHT OF THE LIGHTING FIXTURE. IN ADDITION, FIXTURE HANGERS (WHERE APPLICABLE) SHALL PERMIT THE FIXTURE TO SWING IN ANY DIRECTION.

1. ALL FIXTURES OTHER THAN FIRST ONE OF EACH TYPE DESCRIBED SHALL BE SUBJECT TO APPROVAL.

2. 2" CHASSIS USING 4 LAMPS MAY BE UTILIZED, INSTEAD OF 4 FIXTURES WHERE SHOWN IN TANDUM.

3. RECESSED FIXTURES SHALL BE OF A TYPE AND FITTED WITH SUITABLE ACCESSORIES FOR THE TYPE OF CEILING IN WHICH THEY ARE INSTALLED.

4. ALL FIXTURES SHALL HAVE RAPID START LAMPS & BALLASTS. FIXTURES USING 20 WATT LAMPS SHALL HAVE HPP TRIGGER START BALLASTS.

5. ALL FLUORESCENT FIXTURES ARE FOR 277 VOLT OPERATION, UNLESS INDICATED 120 VOLT ON THE DRAWINGS.

6. PROVIDE DETAILED SHOP DRAWINGS FOR APPROVAL AS REQUIRED.

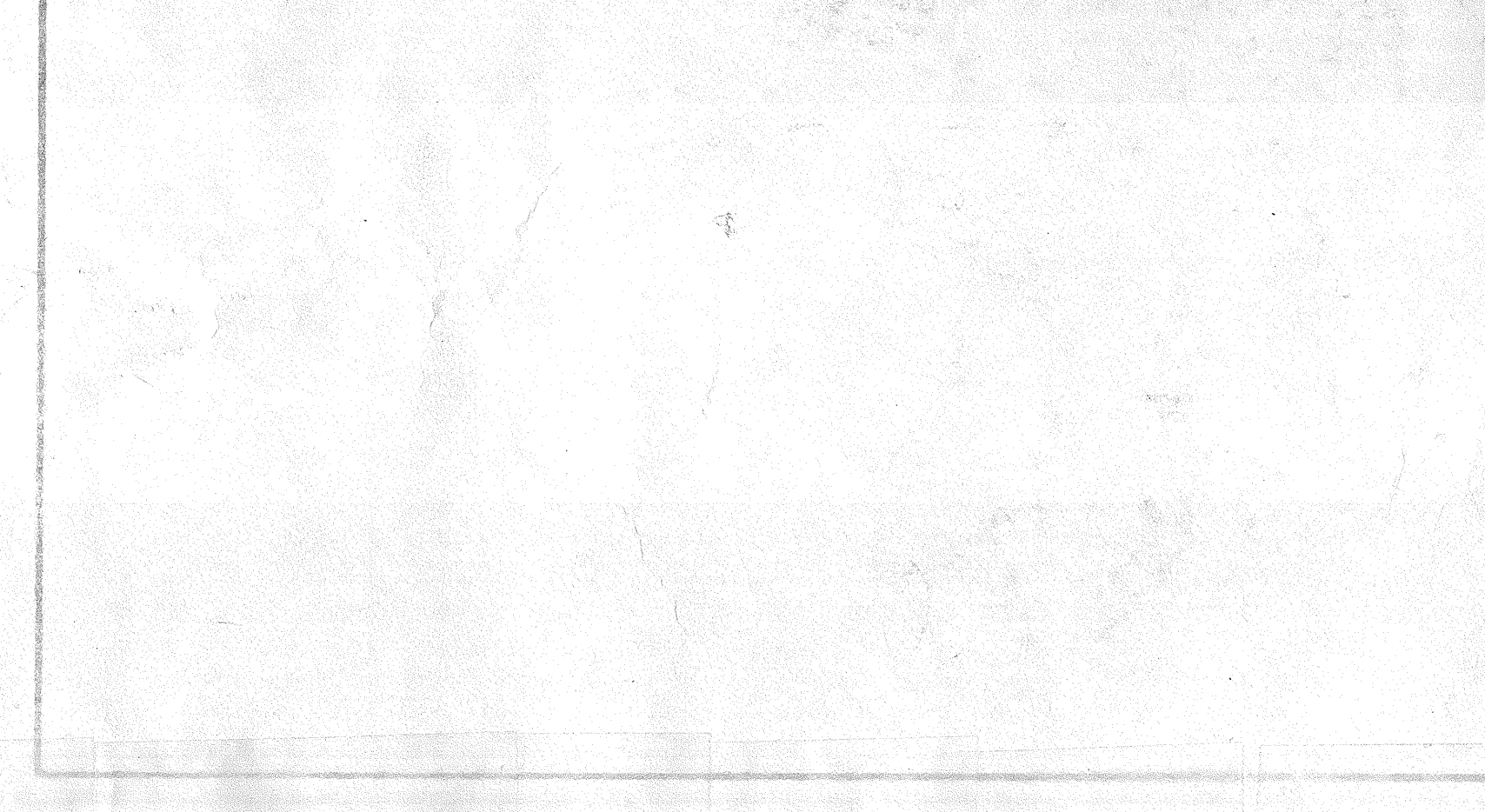
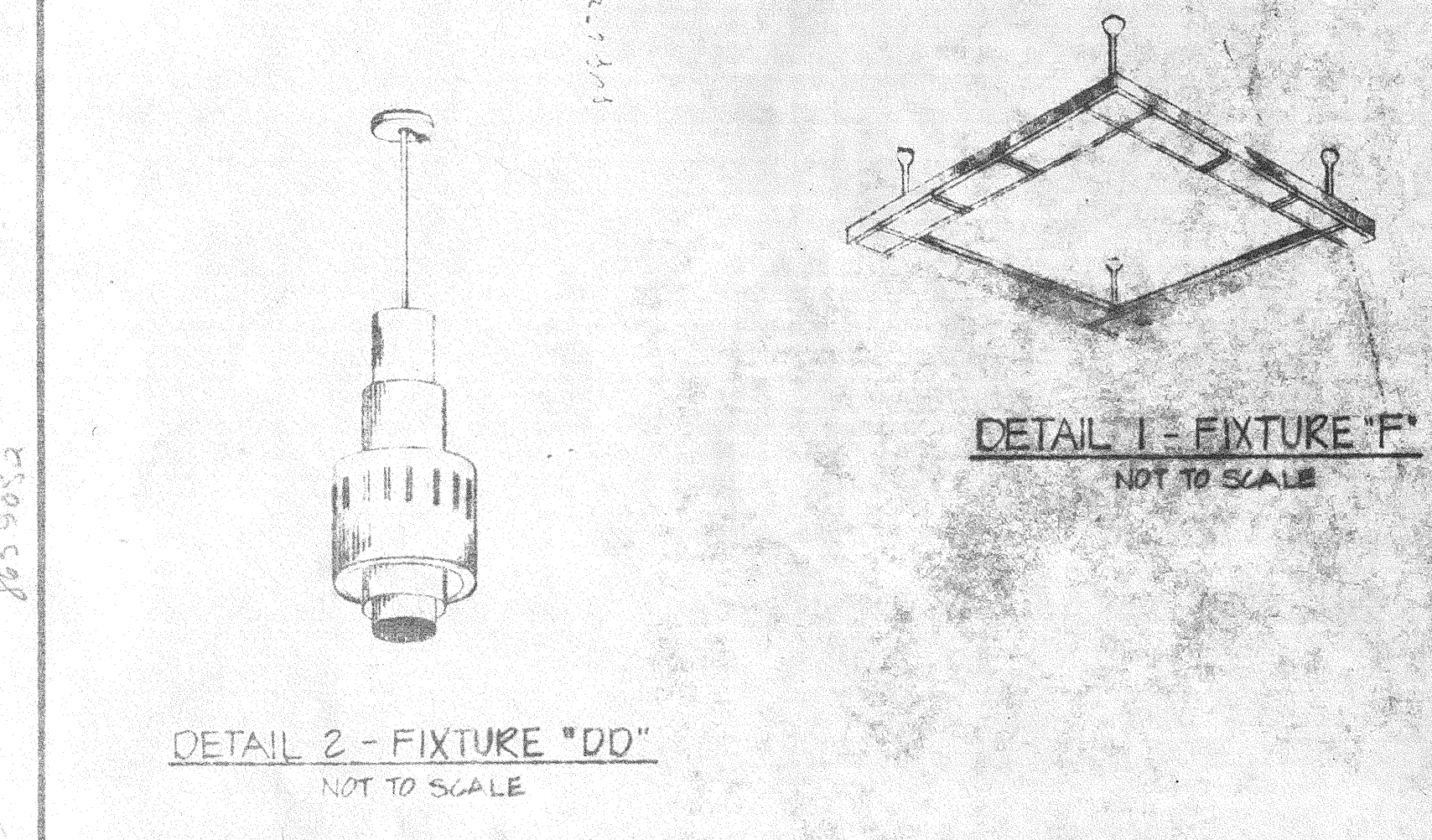
7. LAMPS USED IN TANDUM OR CONTIGUOUS ROWS SHALL BE PROVIDED WITH OUTER BANDS OR CONNECTORS TO CLOSE COUPLE THE FIXTURES.

8. WHERE ANY PLATE IS REQUIRED IT SHALL BE 100% VIRGIN NYLON AND MINIMUM THICKNESS 1/8" DESTAGGLED.

9. ALL ELECTRICAL SYMBOLS TO BE PROVIDED BY NATIONAL ELECTRICAL CODE, 1963 EDITION, AND THE CALIFORNIA ELECTRICAL CODE, 1963 EDITION, AND THE CALIFORNIA ADMINISTRATIVE CODE, PARAGRAPH 24717, CODED IN PART AS FOLLOWS: "A. FIXTURE WHICH WEIGHS MORE THAN 10 POUNDS SHALL BE SUPPORTED INDIVIDUALLY BY THE OUTLET FROM WHICH IT IS SUPPLIED. THE SUPPORT SHALL BE A HARDENED STEEL ROD AND SHALL BE OF SUCH STRENGTH TO SUPPORT AT LEAST FOUR TIMES THE WEIGHT OF THE LIGHTING FIXTURE. IN ADDITION, FIXTURE HANGERS (WHERE APPLICABLE) SHALL PERMIT THE FIXTURE TO SWING IN ANY DIRECTION.

CEILING WALL	DESCRIPTION	CEILING WALL	DESCRIPTION
□	ELECTRIC PANEL - SURFACE MOUNTED	□	FLOOR SILENT FIXTURE OUTLET
□	ELECTRIC PANEL - FLUSH MOUNTED	□	OUTLET
□	COMMUNICATION TERMINAL CABINET	□	EXIT LIGHT OUTLET
□	COMMUNICATION TERMINAL BACKBOARD	□	EMERGENCY LIGHT
□	MOTOR CONTROL CENTER	□	JUNCTION BOX
□	CONTROLLER	□	ONE-WAY SWITCH
□	ISOLATING SWITCH	□	DOUBLE POLE SWITCH
□	TRANSFORMER	□	THREE-WAY SWITCH
□	MOTOR CONNECTION	□	FOUR-WAY SWITCH
□	WIRELESS	□	KEY OPERATED SWITCH
□	WIRELESS DISTRIBUTION	□	SWITCH & PILOT LIGHT
□	FIRE ALARM BELL	□	REMOTE CONTROL SWITCH
□	FIRE ALARM STATION	□	THERMAL SWITCH
□	SMOKE DETECTOR		
□	MINI-MERK FUSE SWITCH		
□	TELEPHONE OUTLET WALL MOUNTED		
□	TELEPHONE OUTLET FLOOR BOX		
□	SECONDARY CLOCK		
□	PUBLIC ADDRESS OUTLET		
□	STAIR WALK		

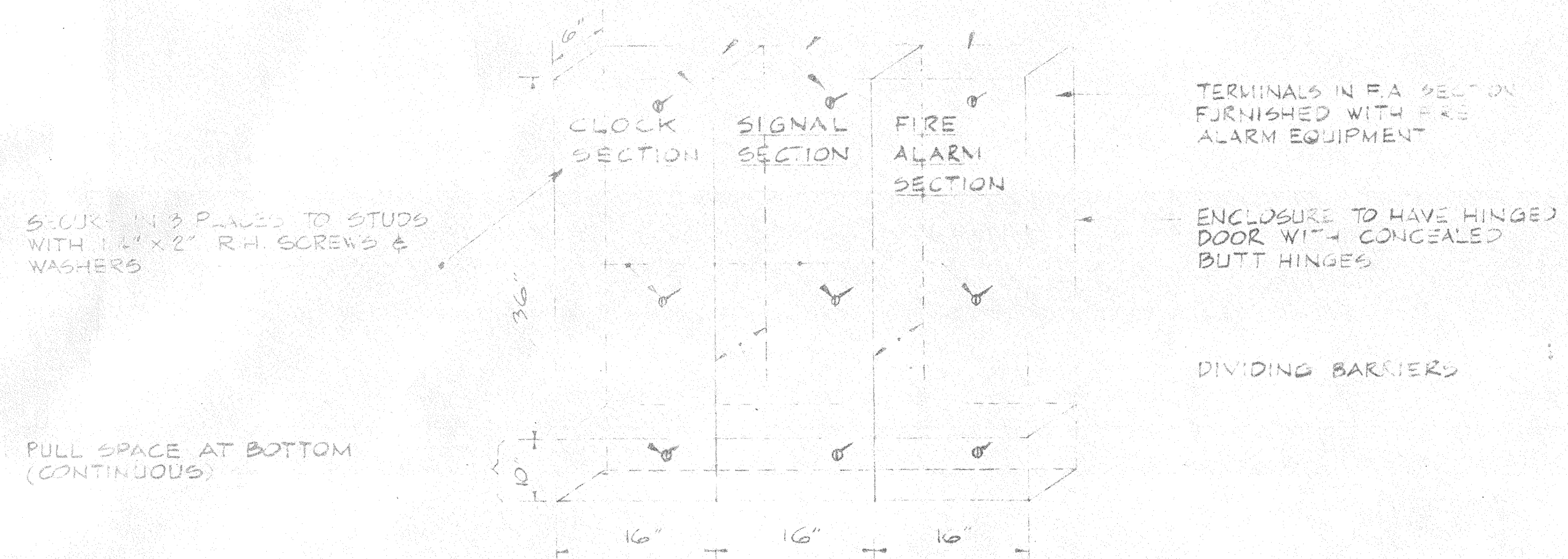
FLOOR WALL	DESCRIPTION	FLOOR WALL	DESCRIPTION
□	BRANCH CIRCUIT, CONCEALED IN CEILING OR WALL	□	FLOOR BOX WITH FLUSH RECEPTACLE
□	BRANCH CIRCUIT, CONCEALED IN FLOOR	□	FLOOR BOX WITH DUPLEX STANCHION
□	BRANCH CIRCUIT, EXPOSED	□	FLOOR BOX WITH BLANK COVER
□	NUMERICAL PANELBOARD FIGURES INDICATE CIRCUIT NUMBER, FOLLOWED BY PANEL DESIGNATION	□	FLOOR BOX WITH FLUSH TWISTLOCK RECEPTACLE
□	NOTE: ANY PANEL WITH FOUR OR FEWER CIRCUITS A GREATER NUMBER OF WIRES IS INDICATED AS FOLLOWS: (12 WIRES) (14 WIRES), ETC.		
□	EMPTY CONDUIT		
□	PUBLIC ADDRESS CONDUIT - 3/4" UNLESS NOTED OTHERWISE		
□	EMERGENCY LIGHTING CONDUIT		
□	CONDUIT RUN CAPPED		
□	CONDUIT STUB UP FOR EQUIPMENT CONNECTION. SEE TYPICAL DETAIL SHEET 1000 IN 1000 FLOOR BOX.		
□	AREWAY - LENGTH IS INDICATED ON DRAWINGS. MOUNT ABOVE CEILING. CONNECT TO NEAREST ETC. WITH 3/4" CONDUIT.		



WELTON BECKET AND ASSOCIATES - CHAN/RADER AND ASSOCIATES ARCHITECTS
153 MATTHEW LANE, SAN FRANCISCO, CALIFORNIA
SAN MATEO JUNIOR COLLEGE DISTRICT SOUTH CAMPUS
SAN MATEO JUNIOR COLLEGE
CITY, CALIFORNIA

PROVIDE 2 EACH 12 POINT TERMINAL STRIPS, CINC H JONES OR EQUAL, IN CLOCK AND SIGNAL SECTIONS.

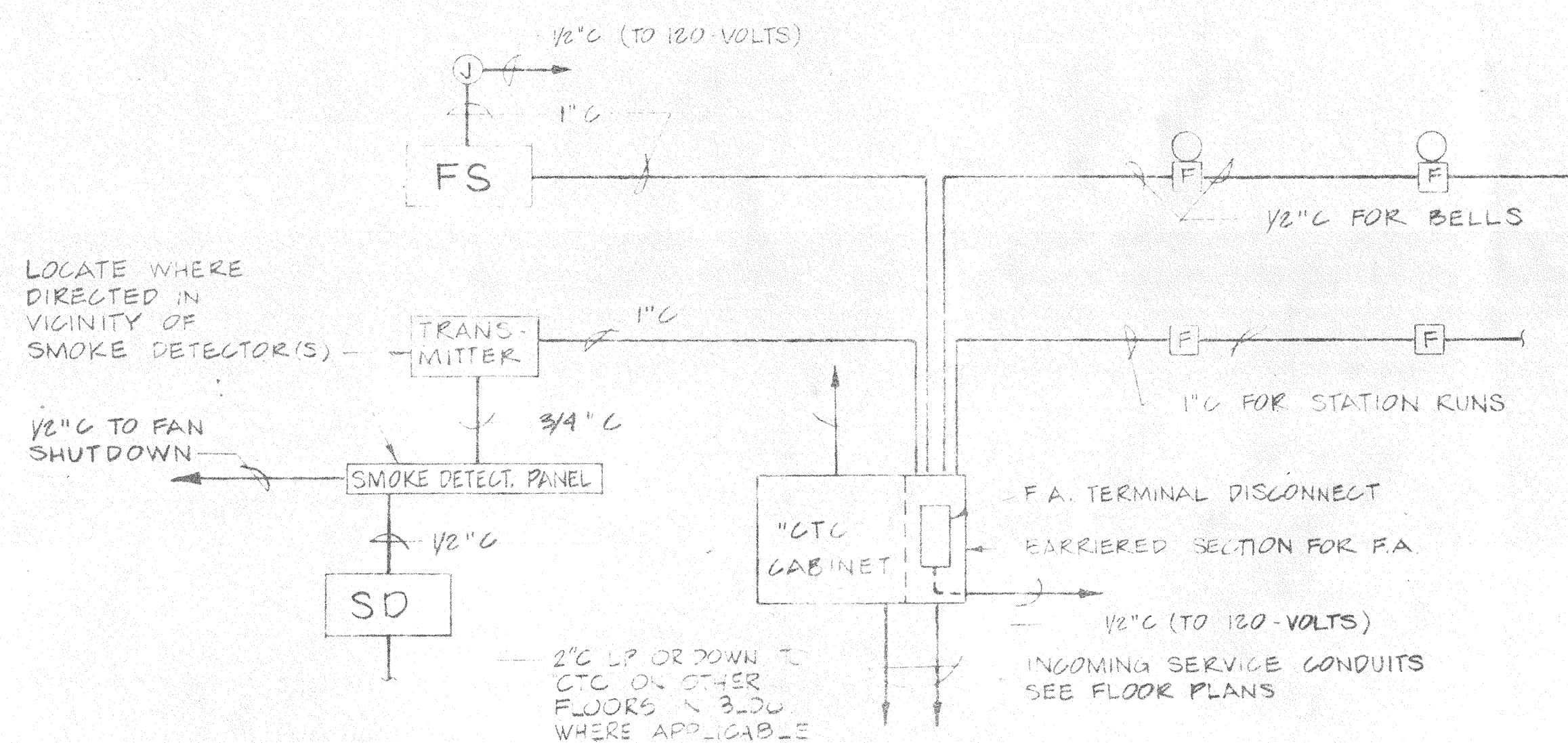
PROVIDE 3/4" PLYWOOD INSIDE EACH SECTION FOR MOUNTING EQUIPMENT.



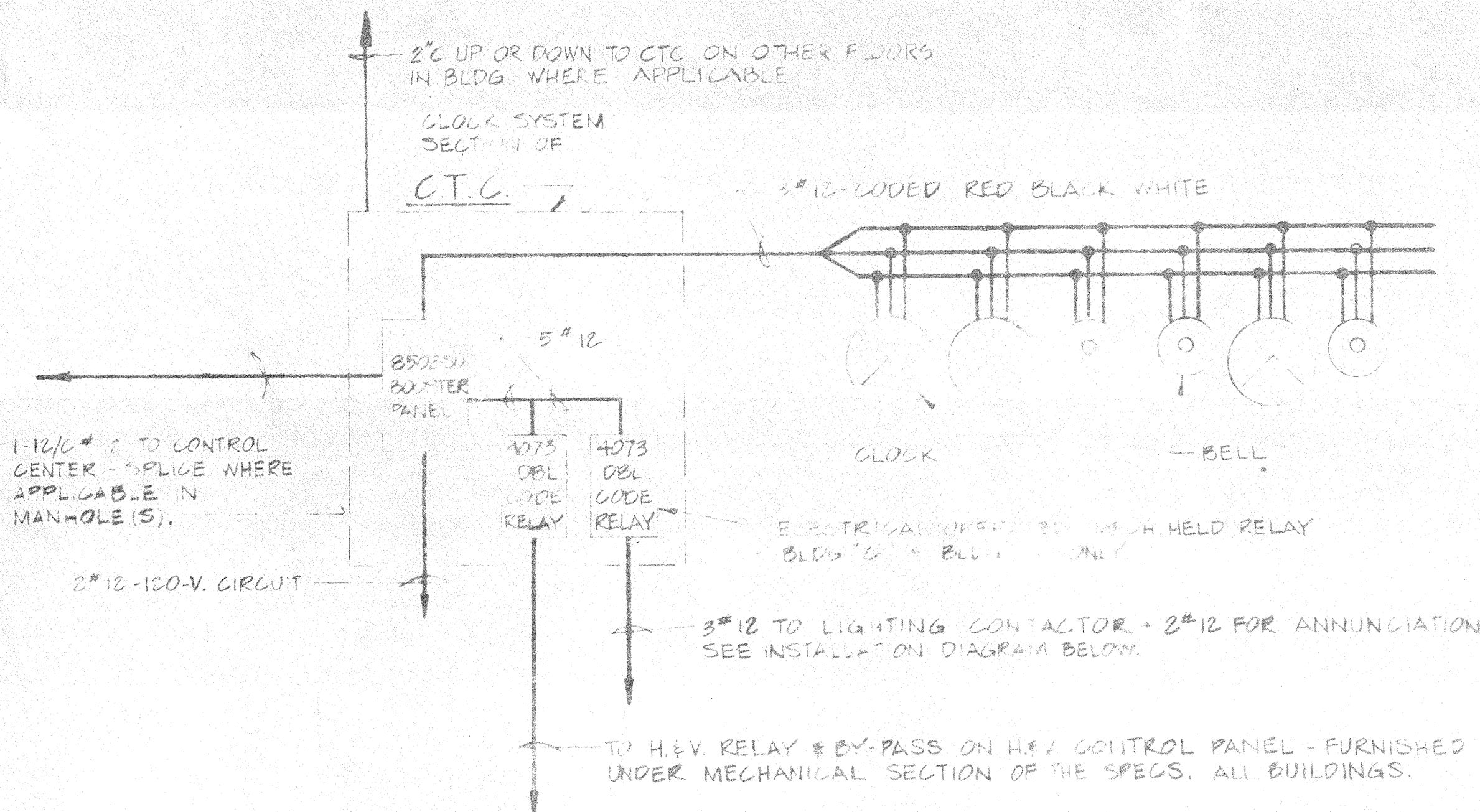
TYPICAL COMMUNICATION TERMINAL CABINET "CTC" - DETAIL 1
NO SCALE

NOTES:

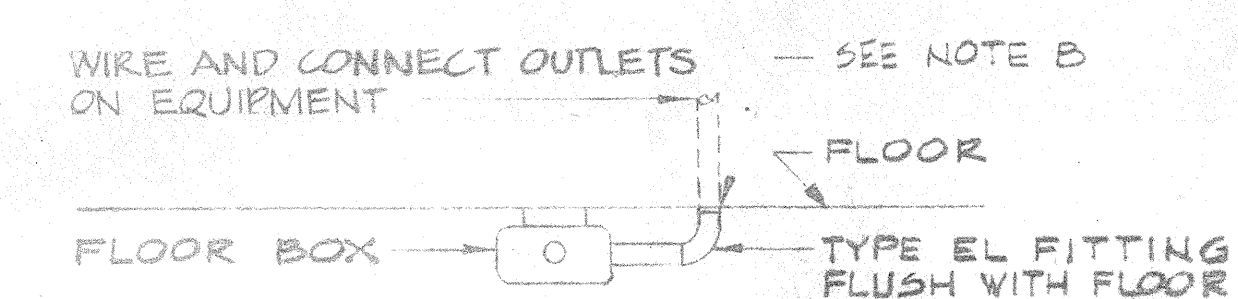
1. 12 BELLS MAXIMUM ON SINGLE CIRCUIT.
2. IF BELLS WIRED THROUGH STATIONS, INCREASE CONDUIT SIZE AS REQUIRED.
3. WIRING FOR SYSTEM AND FINAL CONNECTIONS INCLUDED IN, AND AS DESCRIBED IN "EXTERIOR ELECTRICAL" SECTION OF SPECIFICATIONS.



TYPICAL FIRE ALARM RISER DIAGRAM IN BUILDINGS



TYPICAL CLOCK SYSTEM RISER DIAGRAM IN BUILDINGS

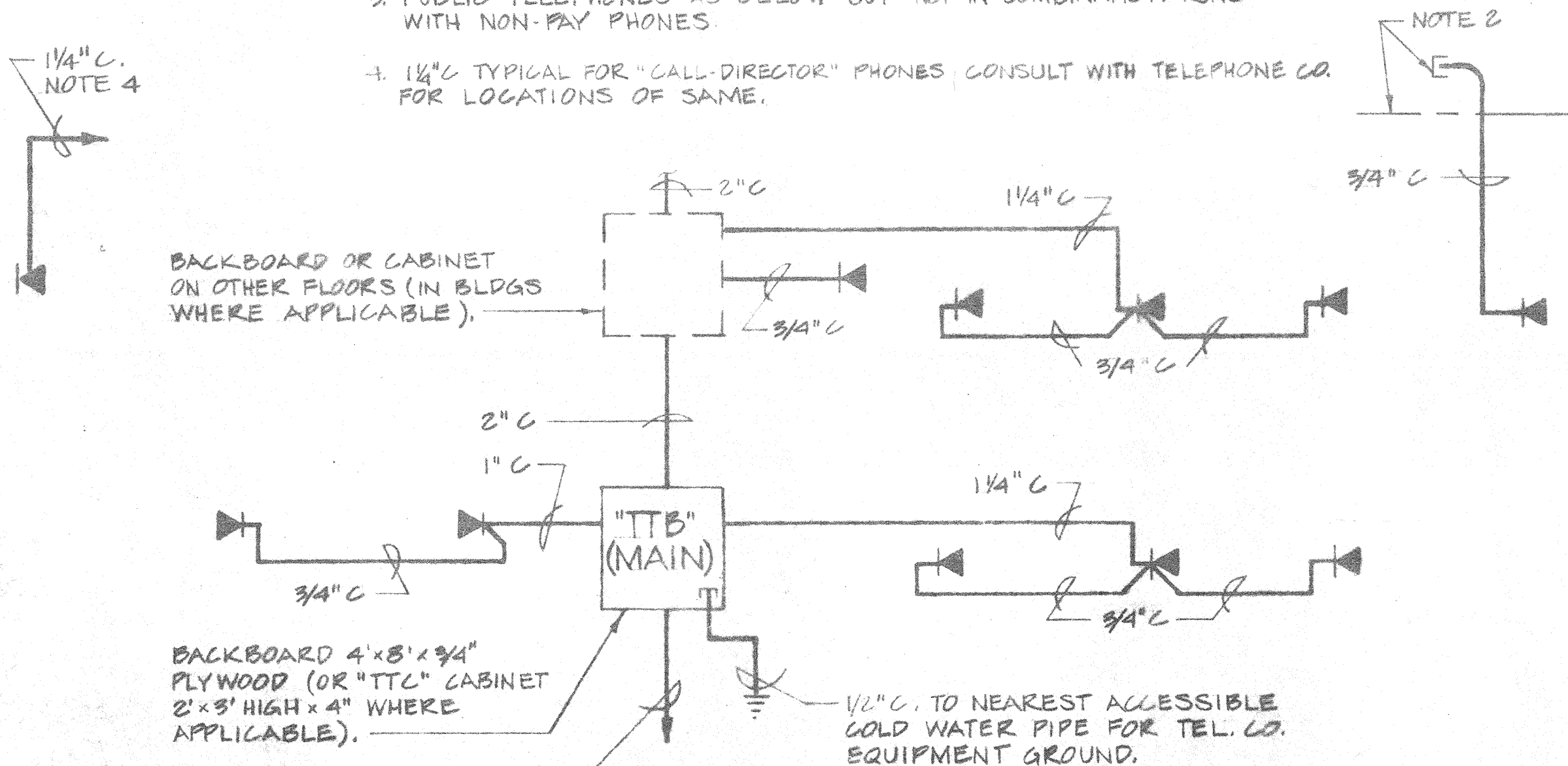


LAB BENCH STUB UP
DETAIL 2
NO SCALE

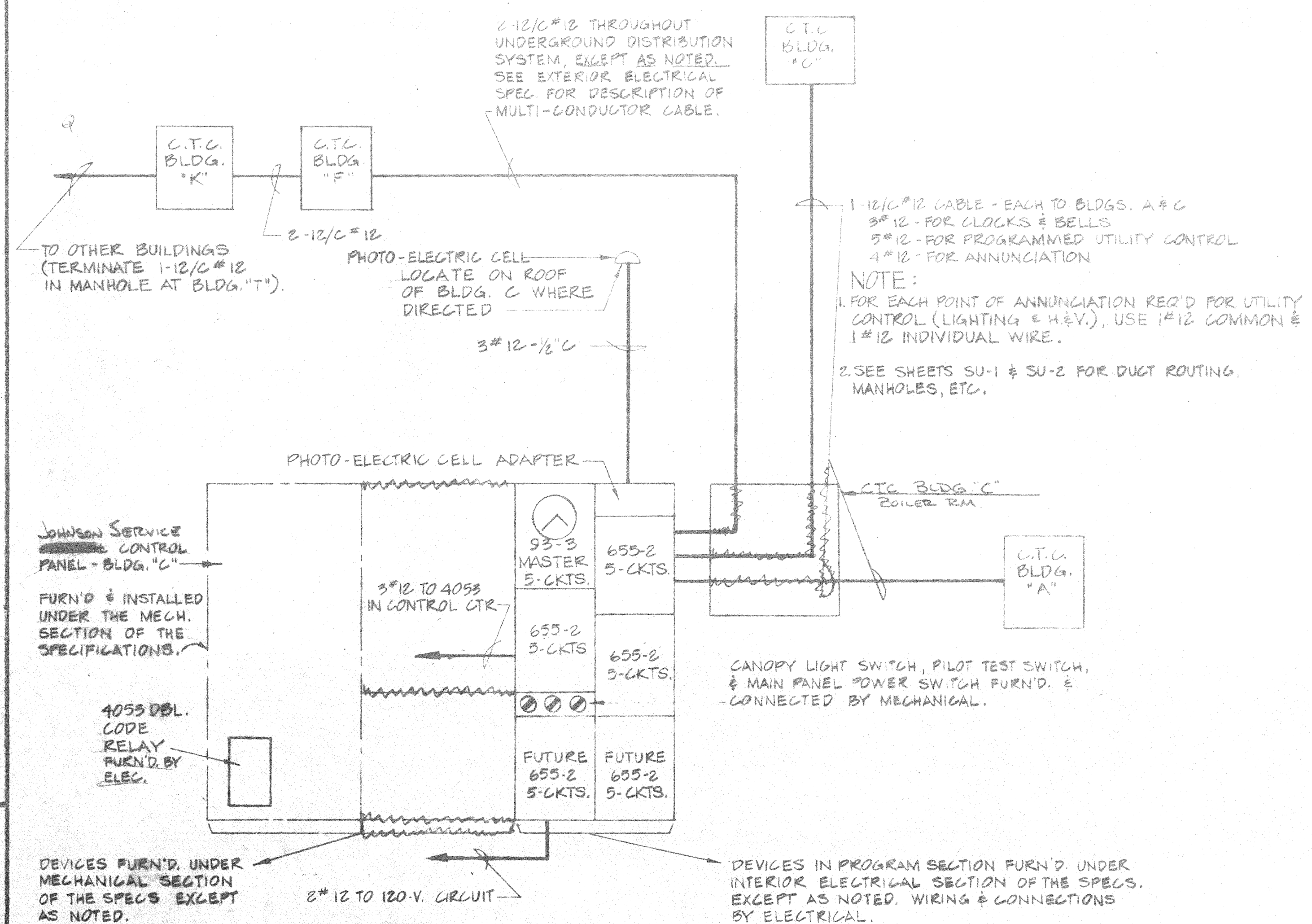
- NOTE:
- SEE LABORATORY FURNITURE DRAWINGS FOR NUMBER AND LOCATION OF OUTLETS.
 - WHERE EMPTY CONDUIT ONLY IS SHOWN, PLUS THE TYPE 'EL' FITTING FLUSH WITH FINISHED FLOOR FOR FUTURE WIRING TO OUTLETS.

NOTES:

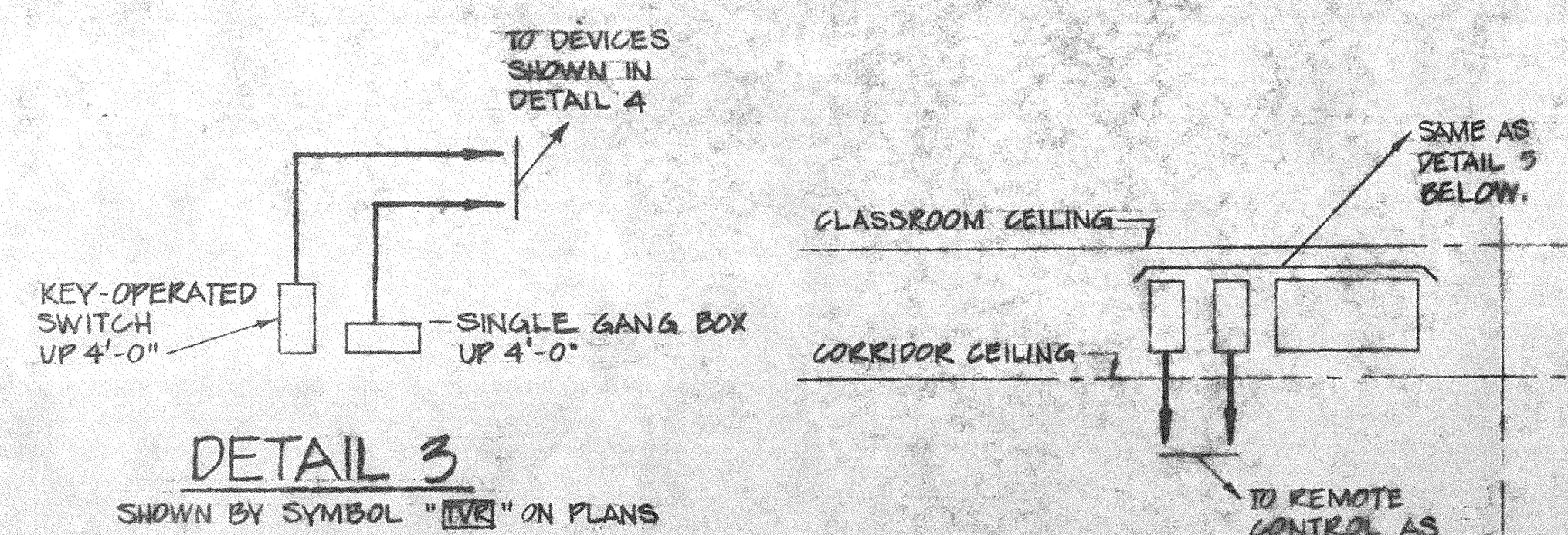
1. 3 OUTLETS MAXIMUM ON SINGLE HOMERUN. MINIMUM SIZE CONDUITS AS SHOWN BELOW.
2. TERMINATE CONDUITS WITH BUSHED ENDS IN AREAS ABOVE FURRED CEILINGS, IF ACCESSIBLE TO NEAREST TPO OR TIG.
3. PUBLIC TELEPHONES AS BELOW BUT NOT IN COMBINATION RUNS WITH NON-PAY PHONES.



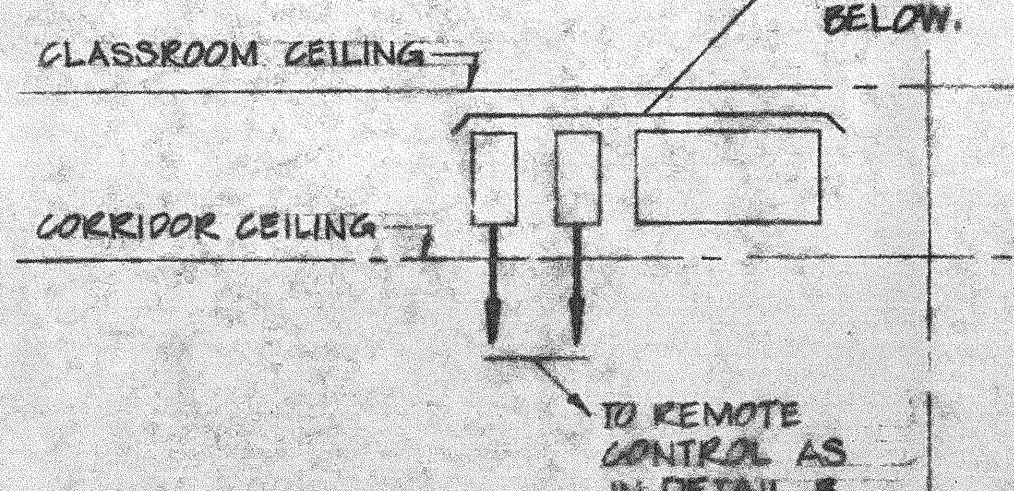
TYPICAL TELEPHONE RISER DIAGRAM IN BUILDINGS



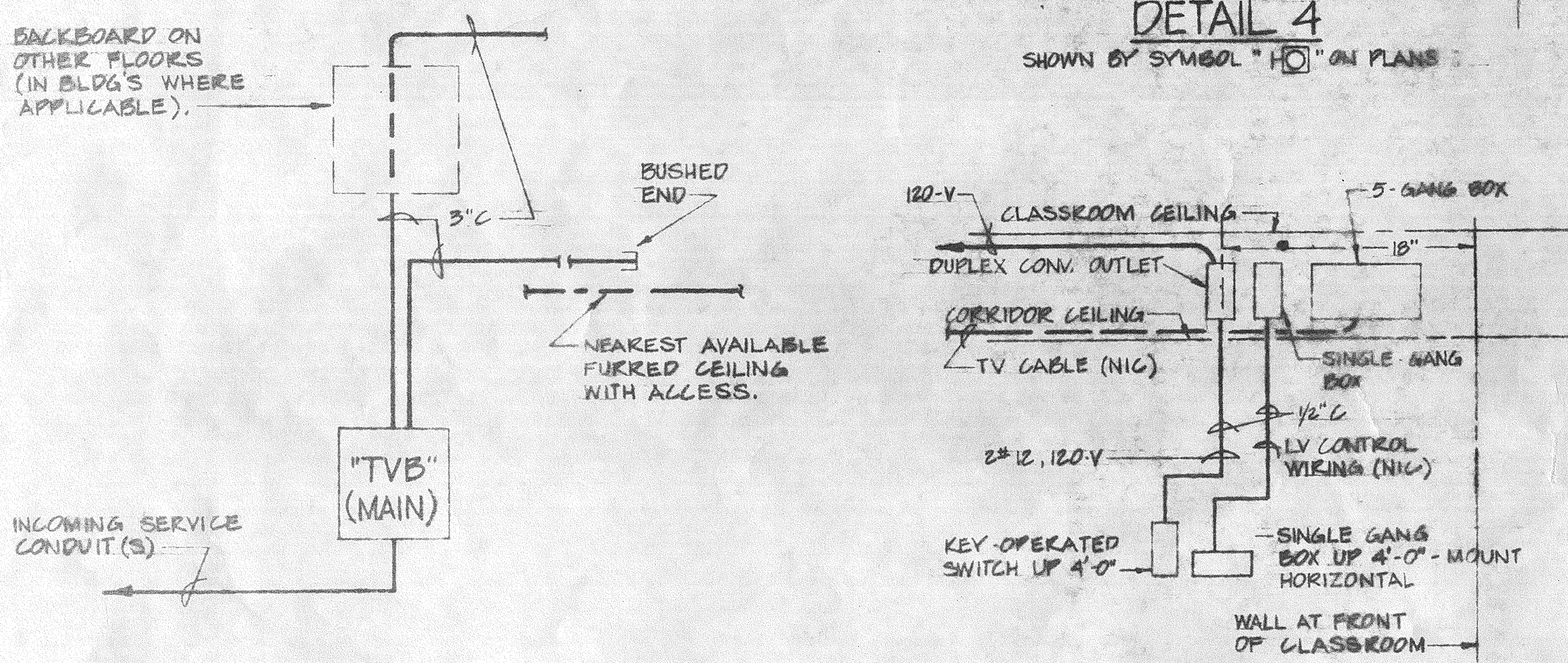
CLOCK SYSTEM DISTRIBUTION DIAGRAM



DETAIL 3
SHOWN BY SYMBOL "TV" ON PLANS



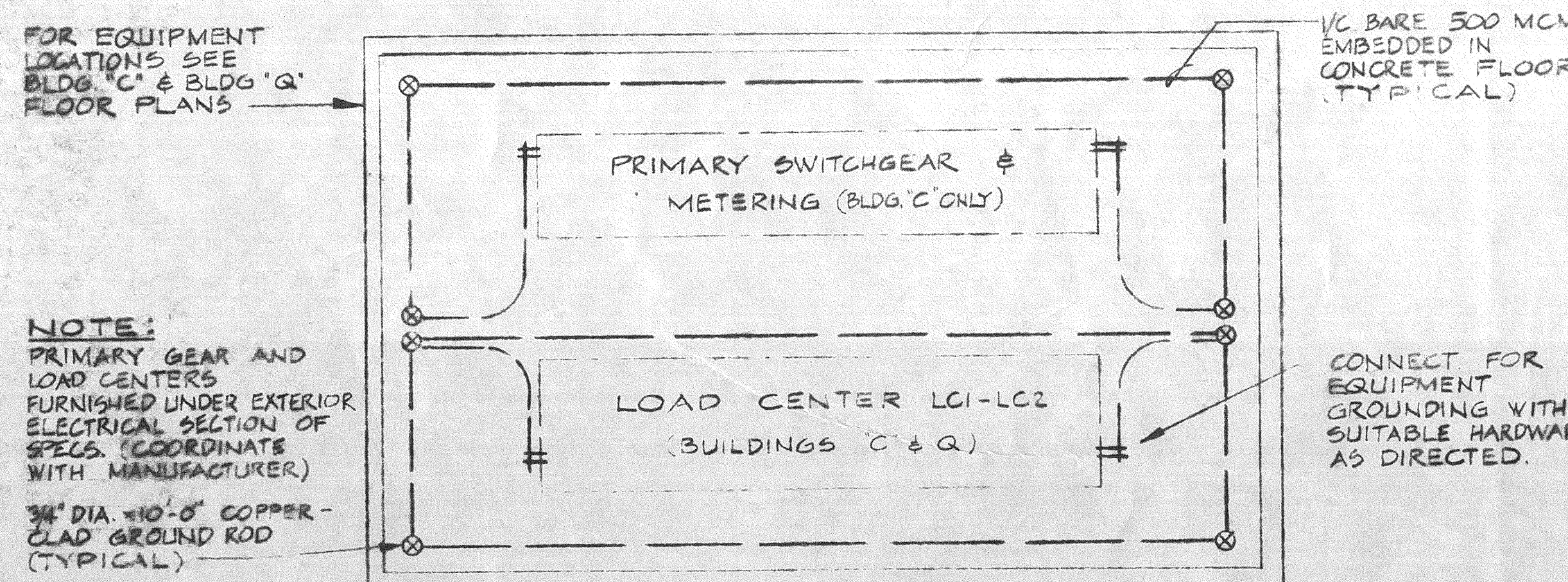
DETAIL 4
SHOWN BY SYMBOL "HO" ON PLANS



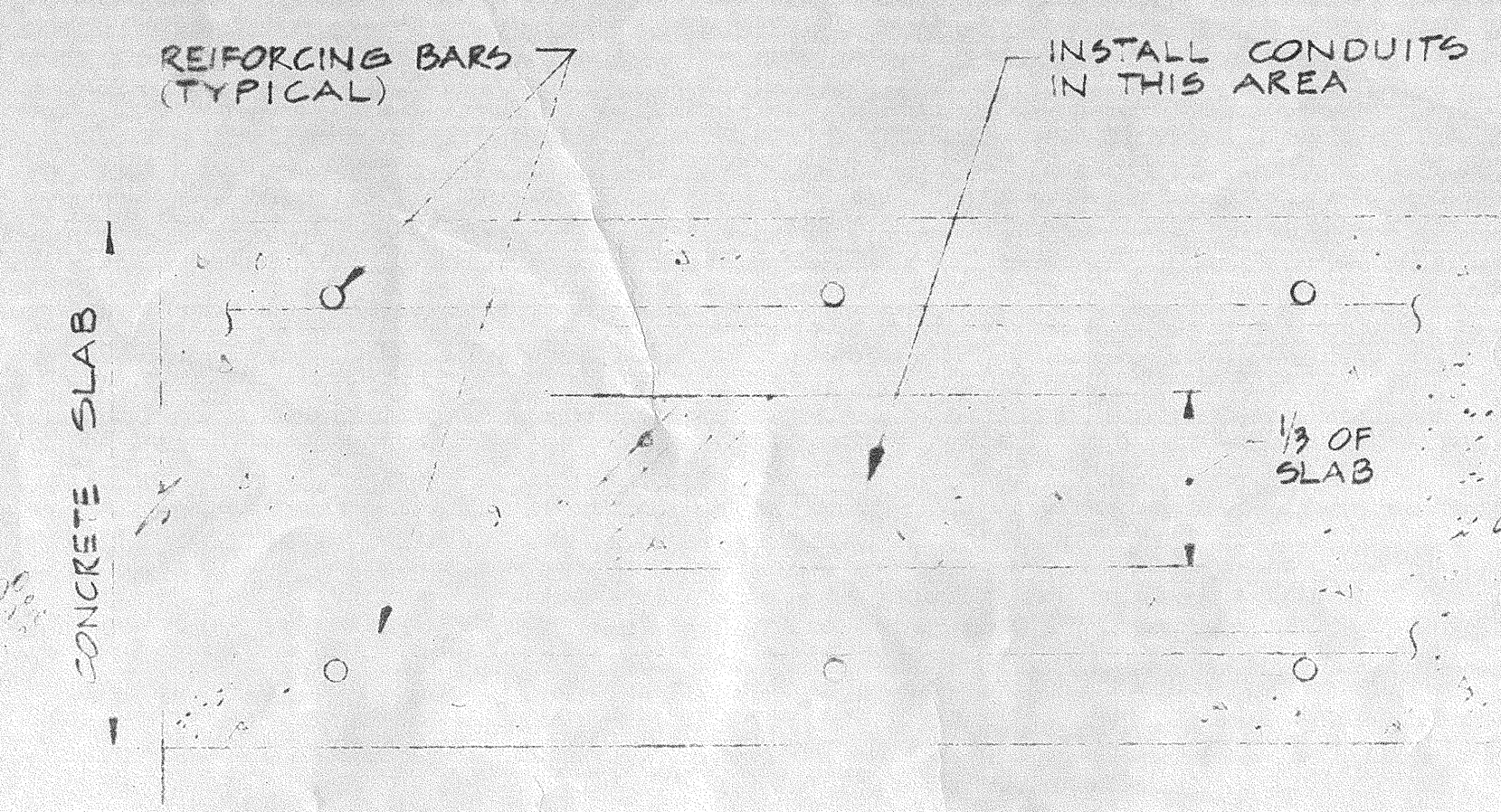
TYPICAL TV RISER DIAGRAM IN BUILDING

NOTE:
ALL BOXES WITHOUT DEVICES SHALL HAVE BLANK COVERS.

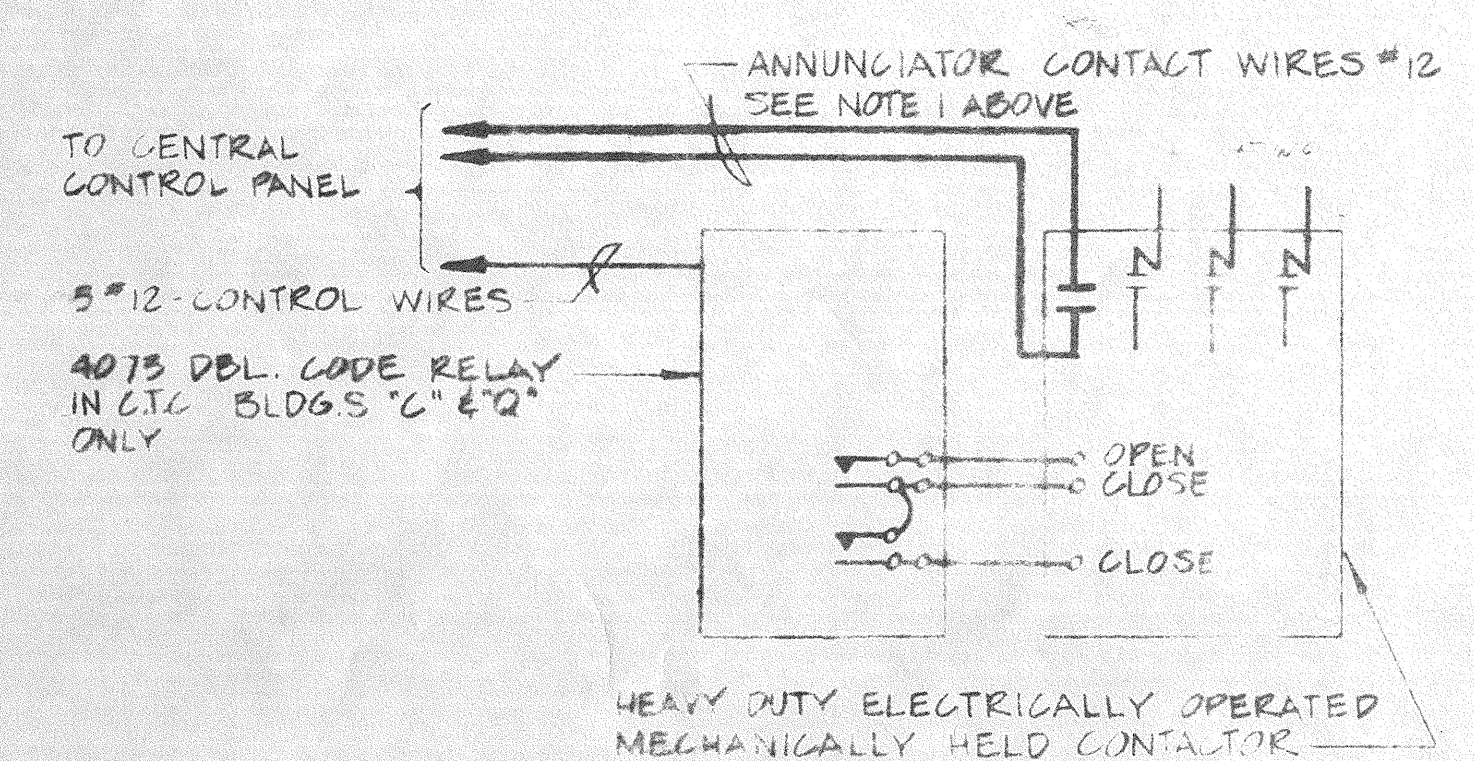
TELEVISION SYSTEM TYPICAL DIAGRAMS & DETAILS
NO SCALE



TYPICAL GROUNDING - LOAD CENTERS & PRIMARY SWITCHGEAR



TYPICAL CONDUIT INSTALLATION IN SLAB
NO SCALE



TYPICAL INSTALLATION DIAGRAM FOR LIGHTING CONTROL

GENERAL NOTE:

1. SEE FLOOR PLANS FOR NUMBER OF DEVICES & LOCATIONS, AND CONDUIT SIZES, ETC.

MOTOR CONTROL CENTER SCHEDULES

POWER PANELS

NOTES:

MCC-AIA

CIRCUIT NUMBER	DESCRIPTION	HP OR KVA	TRIP	POLES	SIZE	CONDUIT	REMARKS
1	AC-1A	20	3	1	3/12-3/4"		
2	AC-2A	20	3	1	3/12-3/4"		
3	AC-3A	20	3	1	3/12-3/4"		
4	AC-4A	20	3	1	3/12-3/4"		
5	AC-5A	20	3	1	3/12-3/4"		
6	AC-6A	20	3	1	3/12-3/4"		
7	AC-7A	20	3	1	3/12-3/4"		
8	AC-8A	20	3	1	3/12-3/4"		
9	AC-9A	20	3	1	3/12-3/4"		
10	AC-10A	20	3	1	3/12-3/4"		
11	AC-11A	20	3	1	3/12-3/4"		
12	AC-12A	20	3	1	3/12-3/4"		
13	AC-13A	20	3	1	3/12-3/4"		
14	AC-14A	20	3	1	3/12-3/4"		
15	AC-15A	20	3	1	3/12-3/4"		
16	AC-16A	20	3	1	3/12-3/4"		
17	AC-17A	20	3	1	3/12-3/4"		
18	AC-18A	20	3	1	3/12-3/4"		
19	AC-19A	20	3	1	3/12-3/4"		
20	AC-20A	20	3	1	3/12-3/4"		
21	AC-21A	20	3	1	3/12-3/4"		
22	AC-22A	20	3	1	3/12-3/4"		
23	AC-23A	20	3	1	3/12-3/4"		
24	AC-24A	20	3	1	3/12-3/4"		
25	AC-25A	20	3	1	3/12-3/4"		
26	AC-26A	20	3	1	3/12-3/4"		
27	AC-27A	20	3	1	3/12-3/4"		
28	AC-28A	20	3	1	3/12-3/4"		
29	AC-29A	20	3	1	3/12-3/4"		
30	AC-30A	20	3	1	3/12-3/4"		
31	AC-31A	20	3	1	3/12-3/4"		
32	AC-32A	20	3	1	3/12-3/4"		
33	AC-33A	20	3	1	3/12-3/4"		
34	AC-34A	20	3	1	3/12-3/4"		
35	AC-35A	20	3	1	3/12-3/4"		
36	AC-36A	20	3	1	3/12-3/4"		
37	AC-37A	20	3	1	3/12-3/4"		
38	AC-38A	20	3	1	3/12-3/4"		
39	AC-39A	20	3	1	3/12-3/4"		
40	AC-40A	20	3	1	3/12-3/4"		
41	AC-41A	20	3	1	3/12-3/4"		
42	AC-42A	20	3	1	3/12-3/4"		
43	AC-43A	20	3	1	3/12-3/4"		
44	AC-44A	20	3	1	3/12-3/4"		
45	AC-45A	20	3	1	3/12-3/4"		
46	AC-46A	20	3	1	3/12-3/4"		
47	AC-47A	20	3	1	3/12-3/4"		
48	AC-48A	20	3	1	3/12-3/4"		
49	AC-49A	20	3	1	3/12-3/4"		
50	AC-50A	20	3	1	3/12-3/4"		
51	AC-51A	20	3	1	3/12-3/4"		
52	AC-52A	20	3	1	3/12-3/4"		
53	AC-53A	20	3	1	3/12-3/4"		
54	AC-54A	20	3	1	3/12-3/4"		
55	AC-55A	20	3	1	3/12-3/4"		
56	AC-56A	20	3	1	3/12-3/4"		
57	AC-57A	20	3	1	3/12-3/4"		
58	AC-58A	20	3	1	3/12-3/4"		
59	AC-59A	20	3	1	3/12-3/4"		
60	AC-60A	20	3	1	3/12-3/4"		
61	AC-61A	20	3	1	3/12-3/4"		
62	AC-62A	20	3	1	3/12-3/4"		
63	AC-63A	20	3	1	3/12-3/4"		
64	AC-64A	20	3	1	3/12-3/4"		
65	AC-65A	20	3	1	3/12-3/4"		
66	AC-66A	20	3	1	3/12-3/4"		
67	AC-67A	20	3	1	3/12-3/4"		
68	AC-68A	20	3	1	3/12-3/4"		
69	AC-69A	20	3	1	3/12-3/4"		
70	AC-70A	20	3	1	3/12-3/4"		
71	AC-71A	20	3	1	3/12-3/4"		
72	AC-72A	20	3	1	3/12-3/4"		
73	AC-73A	20	3	1	3/12-3/4"		
74	AC-74A	20	3	1	3/12-3/4"		
75	AC-75A	20	3	1	3/12-3/4"		
76	AC-76A	20	3	1	3/12-3/4"		
77	AC-77A	20	3	1	3/12-3/4"		
78	AC-78A	20	3	1	3/12-3/4"		
79	AC-79A	20	3	1	3/12-3/4"		
80	AC-80A	20	3	1	3/12-3/4"		
81	AC-81A	20	3	1	3/12-3/4"		
82	AC-82A	20	3	1	3/12-3/4"		
83	AC-83A	20	3	1	3/12-3/4"		
84	AC-84A	20	3	1	3/12-3/4"		
85	AC-85A	20	3	1	3/12-3/4"		
86	AC-86A	20	3	1	3/12-3/4"		
87	AC-87A	20	3	1	3/12-3/4"		
88	AC-88A	20	3	1	3/12-3/4"		
89	AC-89A	20	3	1	3/12-3/4"		
90	AC-90A	20	3	1	3/12-3/4"		
91	AC-91A	20	3	1	3/12-3/4"		
92	AC-92A	20	3	1	3/12-3/4"		
93	AC-93A	20	3	1	3/12-3/4"		
94	AC-94A	20	3	1	3/12-3/4"		
95	AC-95A	20	3	1	3/12-3/4"		
96	AC-96A	20	3	1	3/12-3/4"		
97	AC-97A	20	3	1	3/12-3/4"		
98	AC-98A	20	3	1	3/12-3/4"		
99	AC-99A	20	3	1	3/12-3/4"		
100	AC-100A	20	3	1	3/12-3/4"		

MCC-F3A

CIRCUIT NUMBER	DESCRIPTION	HP OR KVA	TRIP	POLES	SIZE	CONDUIT	REMARKS
1	AC-1G	5	20	3	1	3/12-3/4"	
2	AC-2G	5	20	3	1	3/12-3/4"	
3	AC-3G	5	20	3	1	3/12-3/4"	
4	TRANSFORMER FT3A	9	20	3	1	3/12-3/4"	SEE RIGER DIAGRAM
5	PANEL 01A	30	100	3	1	3/12-3/4"	
6	PANEL 01B, 01C, 01D	50	100	3	1	3/12-3/4"	
7	TRANSFORMER FT3B	75	125	3	1	3/12-3/4"	
8	PANEL 02A	440	400	3	1	3/12-3/4"	
9	MCC-F3A	315	400	3	1	3/12-3/4"	

MCC-R

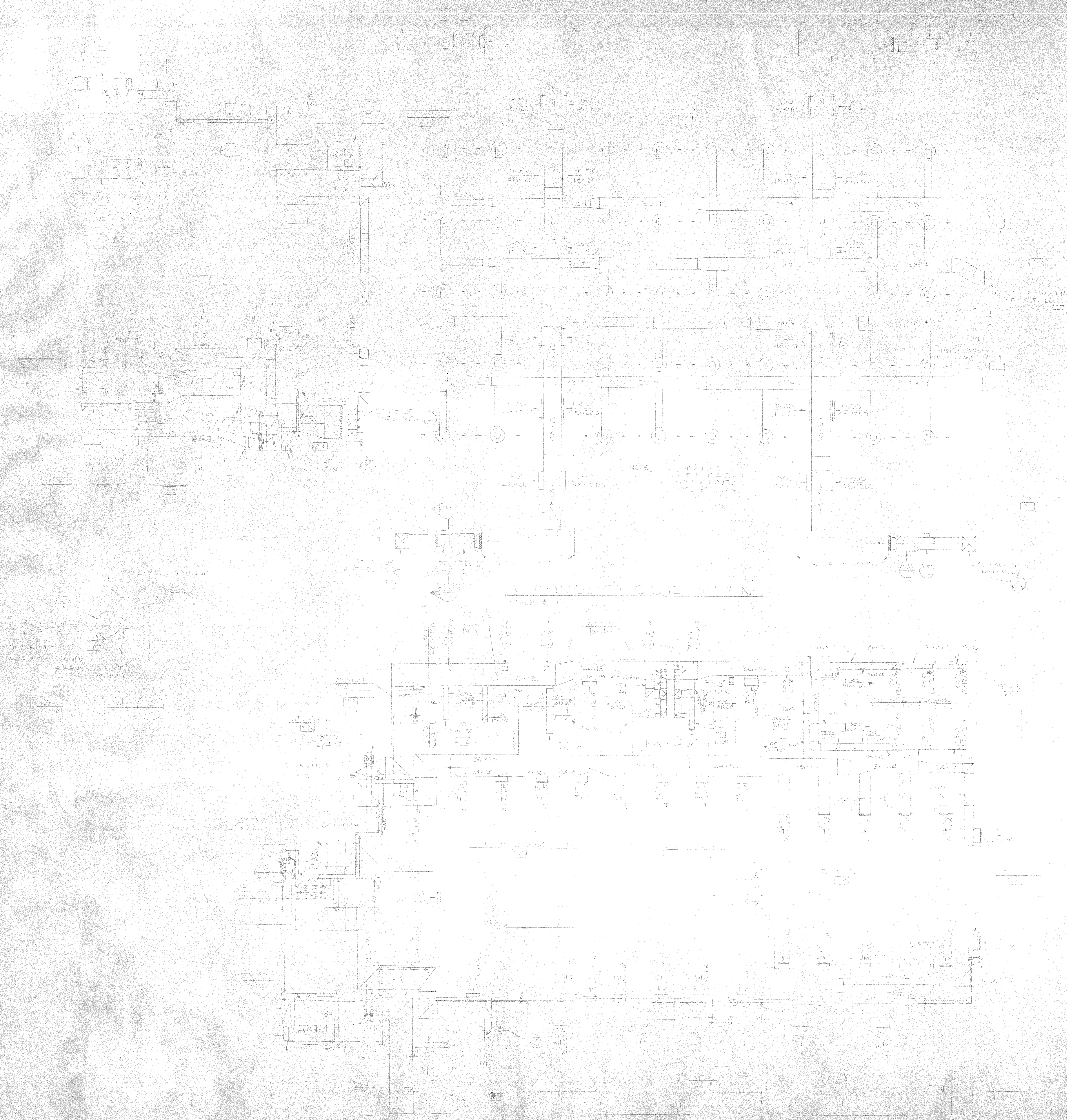
CIRCUIT NUMBER	DESCRIPTION	HP OR KVA	TRIP	POLES	SIZE	CONDUIT	REMARKS
1	AC-1R	7 1/2	30	3	1	3/12-3/4"	
2	COMPRESSOR MOTOR	1 1/2	20	3	1	3/12-3/4"	
3	TRANSFORMER RT1A	30	50	3	1	3/12-3/4"	SEE RIGER DIAGRAM
4	PANELS RL1A, RL2A	60	125	3	1	3/12-3/4"	

FP3A

CIRCUIT NUMBER	DESCRIPTION	LOAD HP OR KW	TRIP	POLES	CONDUIT	REMARKS
1	BOOSTER HEATER	54 KW	20	3	3/12-3/4"	
2	WASH TANK	20	40	3	3/12-3/4"	
3	RINSE TANK	20	40	3	3/12-3/4"	
4	DISHWASHING MACHINE	3 1/2 HP	40	3	3/12-3/4"	
5	TRANSFORMER FT4C	150 KVA	225	3	3/12-3/4"	SEE RIGER DIAGRAM
6	SHOOLE	12 KW	20	3	3/12-3/4"	
7	FRYING PAN	14 KW	20	3	3/12-3/4"	
8	KETTLES	32.4 KW	50	3	3/12-3/4"	
9	STOVE	24 KW	40	3	3/12-3/4"	
10	LET	21 KW	40	3	3/12-3/4"	
11	KETTLE	21 KW	40	3	3/12-3/4"	
12	SPACE ONLY					FUTURE 1" FRAME

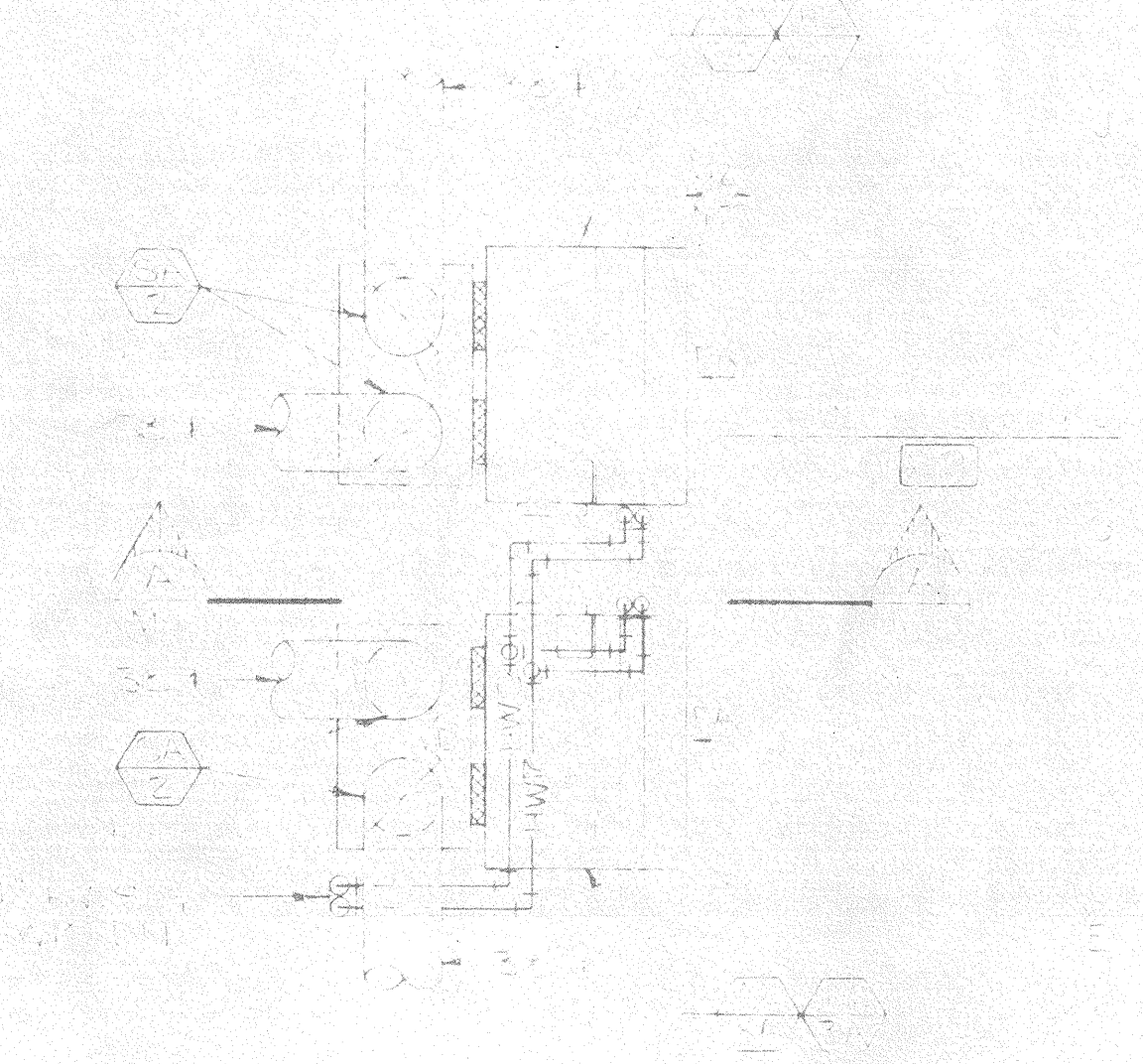
MCC-AIB

CIRCUIT NUMBER	DESCRIPTION	HP OR KVA	TRIP	POLES	SIZE	CONDUIT	REMARKS
1	AC-1B	10	20	3	1	3/12-3/4"	
2	AC-2B	10	20	3	1	3/12-3/4"	
3	AC-3B	10	20	3	1	3/12-3/4"	
4	AC-4B	10	20	3	1	3/12-3/4"	
5	AC-5B	10	20	3	1	3/12-3/4"	
6	AC-6B	10	20	3	1	3/12-3/4"	
7	AC-7B	10	20	3	1	3/12-3/4"	
8	AC-8B	10	20	3	1	3/12-3/4"	
9	AC-9B	10	20	3	1	3/12-3/4"	
10	AC-10B	10	20	3	1	3/12-3/4"	
11	AC-11B	10	20	3	1	3/12-3/4"	
12	AC-12B	10	20	3	1	3/12-3/4"	
13	AC-13B	10	20	3	1	3/12-3/4"	
14	AC-14B	10	20	3	1	3/12-3/4"	
15	AC-15B	10	20	3	1	3/12-3/4"	
16	AC-16B	10	20	3	1	3/12-3/4"	
17	AC-17B	10	20	3	1	3/12-3/4"	
18	AC-18B	10	20	3	1	3/12-3/4"	
19	AC-19B	10	20	3	1	3/12-3/4"	
20	AC-20B	10	20	3	1	3/12-3/4"	
21	AC-21B	10	20	3	1	3/12-3/4"	
22	AC-22B	10	20	3	1	3/12-3/4"	
23	AC-23B	10	20	3	1	3/12-3/4"	
24	AC-24B	10	20	3	1	3/12-3/4"	
25	AC-25B	10	20	3	1	3/12-3/4"	
26	AC-26B	10	20	3	1	3/12-3/4"	
27	AC-27B	10	20	3	1	3/12-3/4"	
28	AC-28B	10	20	3	1	3/12-3/4"	
29	AC-29B	10	20	3	1	3/12-3/4"	
30	AC-30B	10	20	3	1	3/12-3/4"	
31	AC-31B	10	20	3	1	3/12-3/4"	
32	AC-32B	10	20	3	1	3/12-3/4"	
33	AC-33B	10	20	3	1	3/12-3/4"	

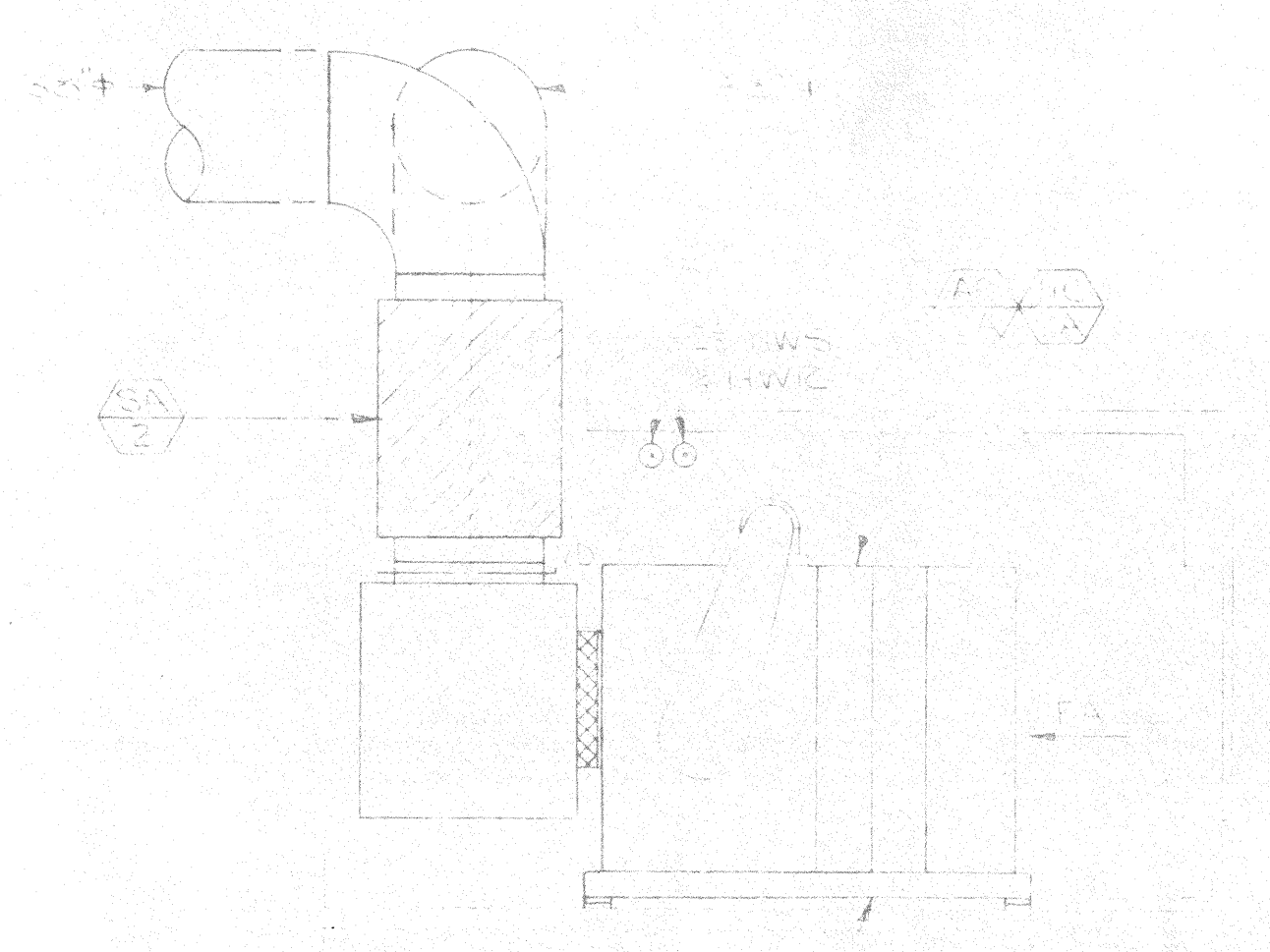


SECOND FLOOR PLAN
SCALE: 1/8" = 1'-0"

SECTION B
SCALE: 1/4" = 1'-0"

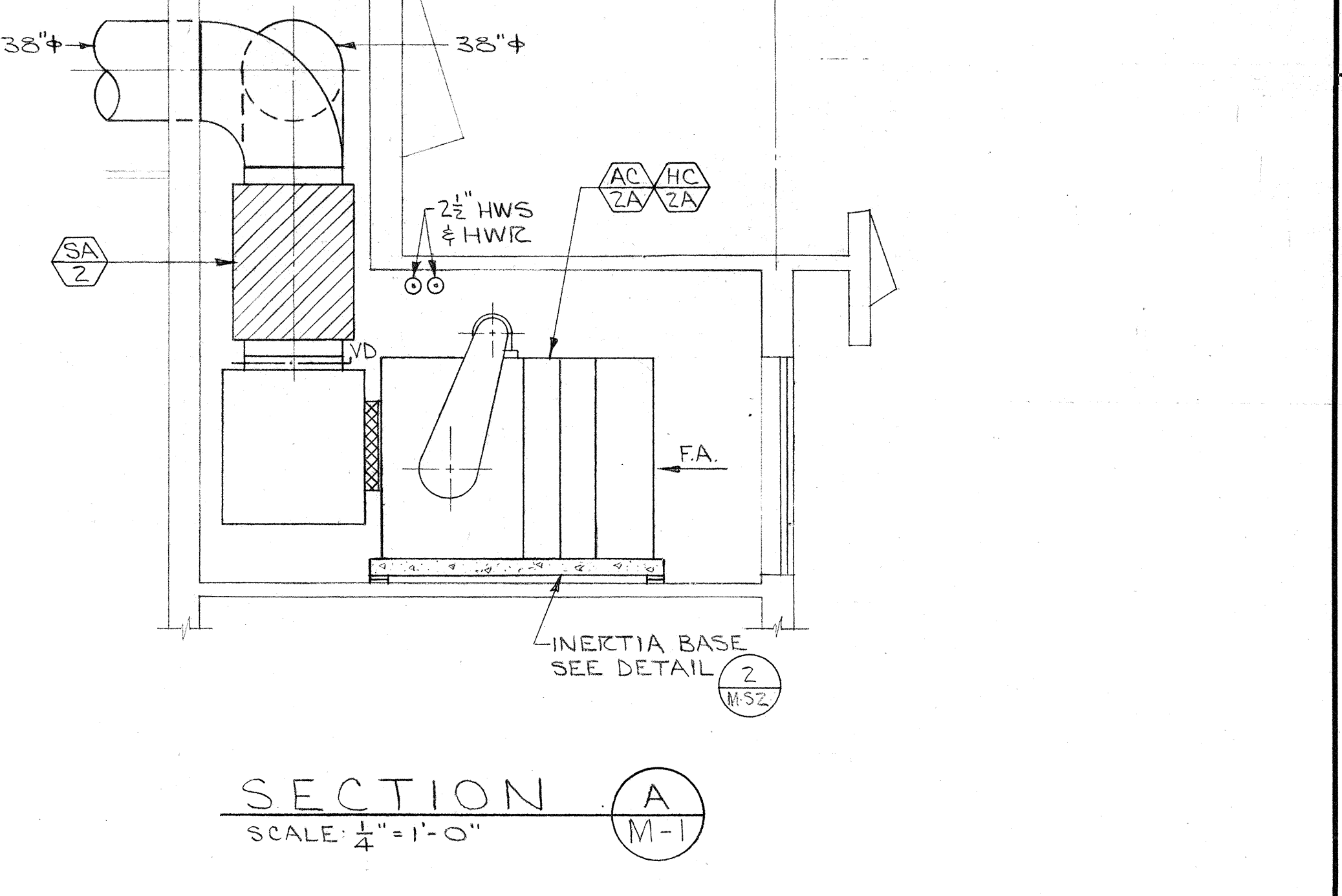
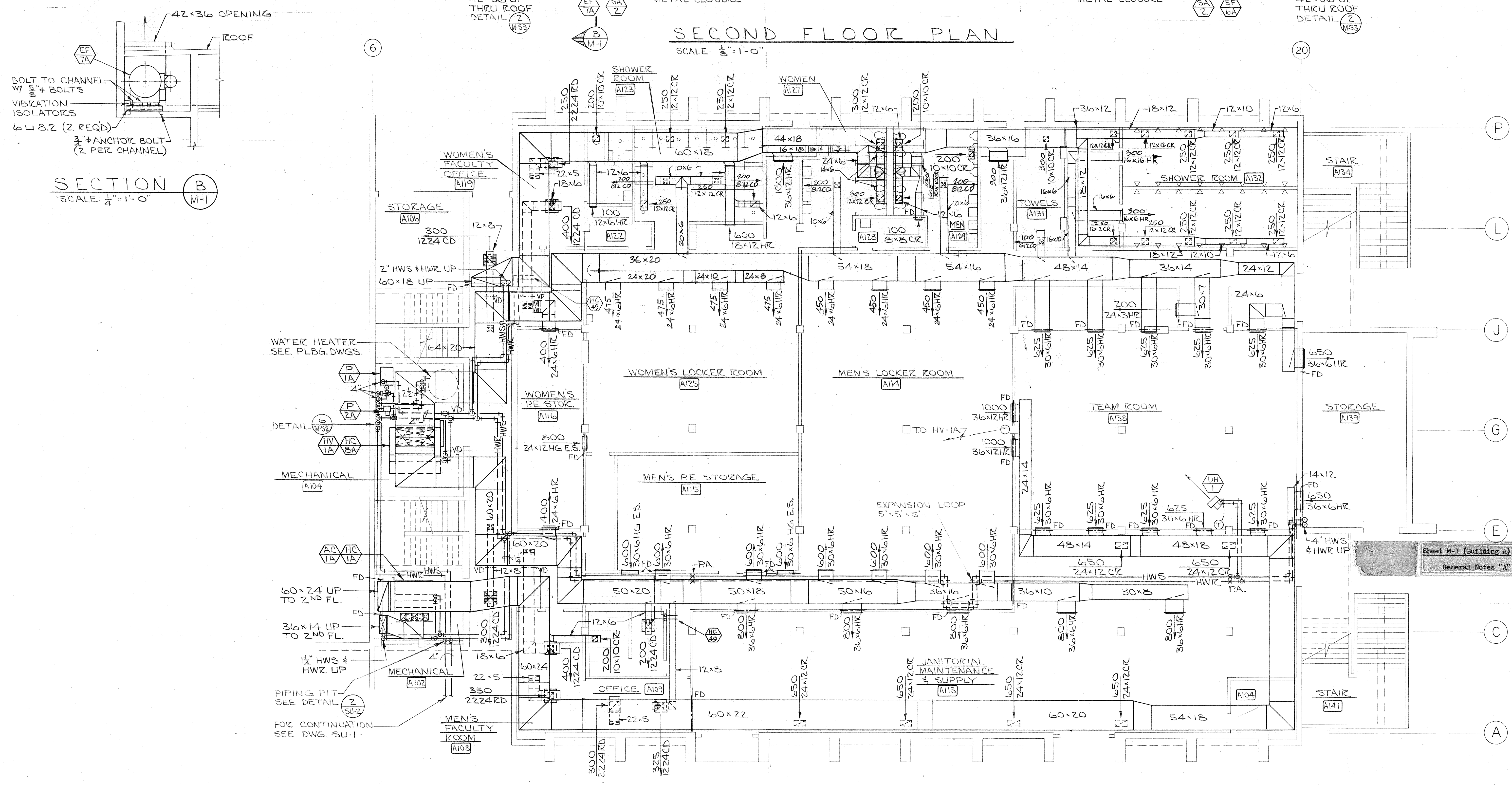
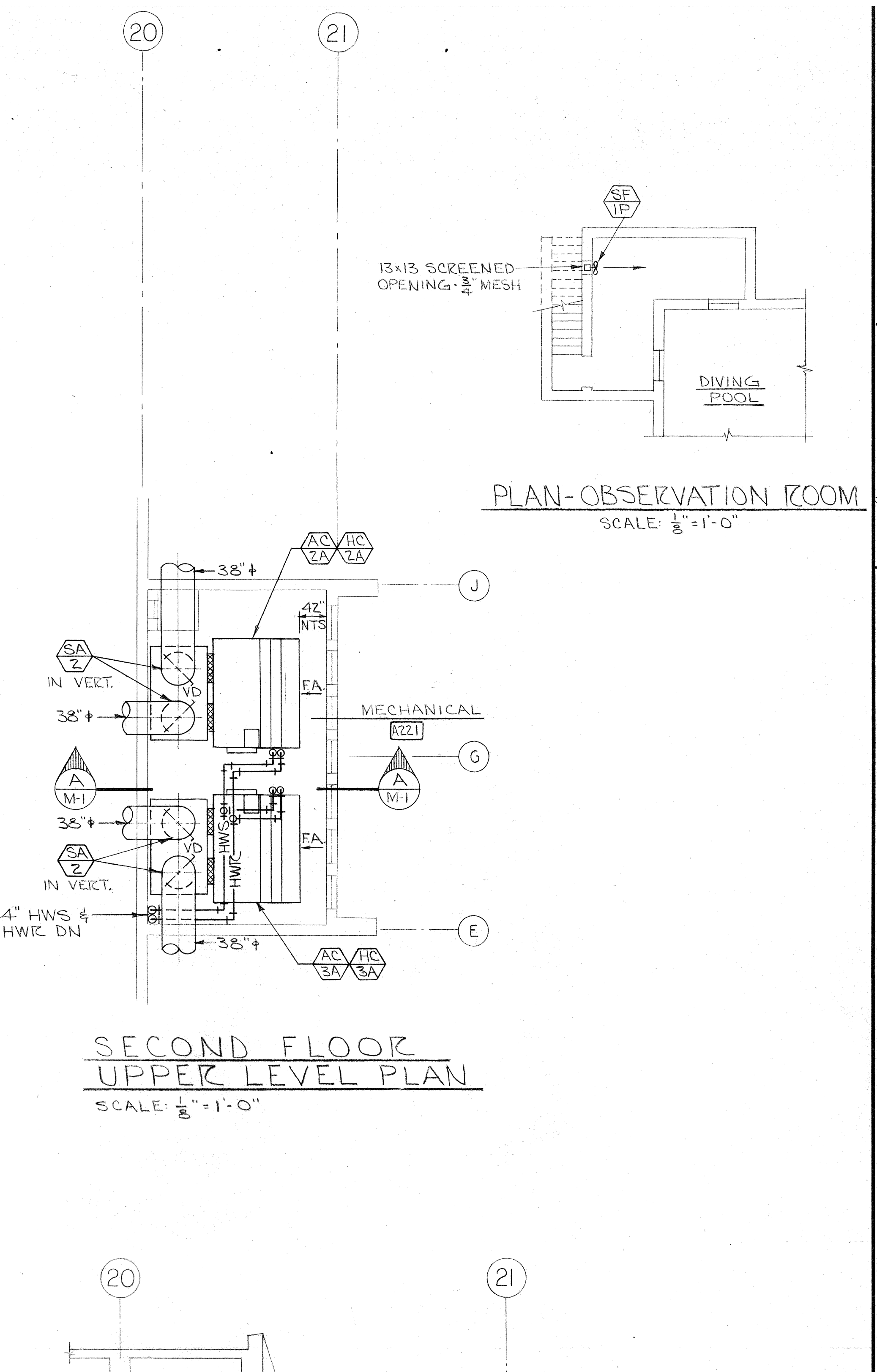
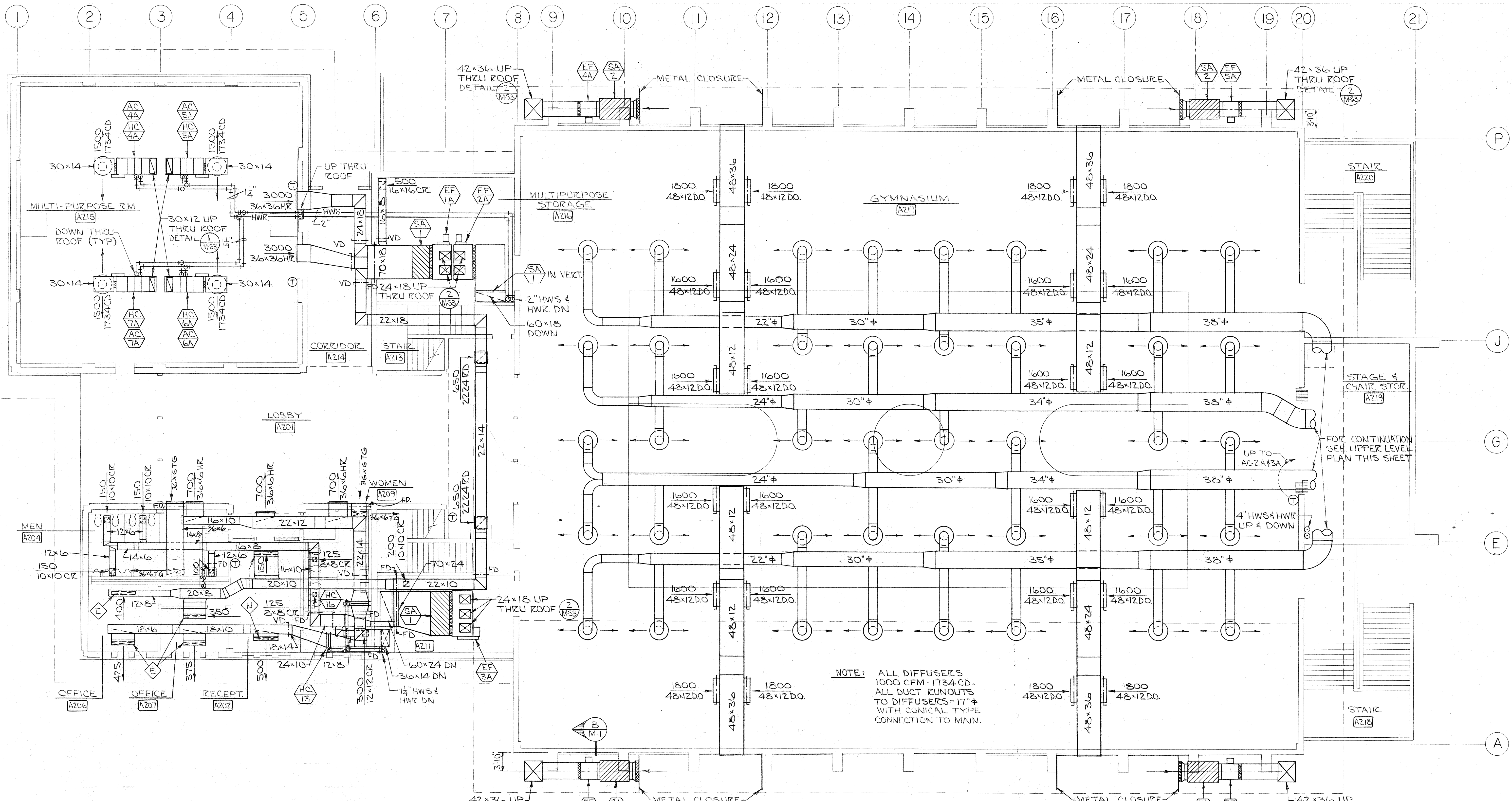


UPPER LEVEL PLAN
SCALE: 1/8" = 1'-0"

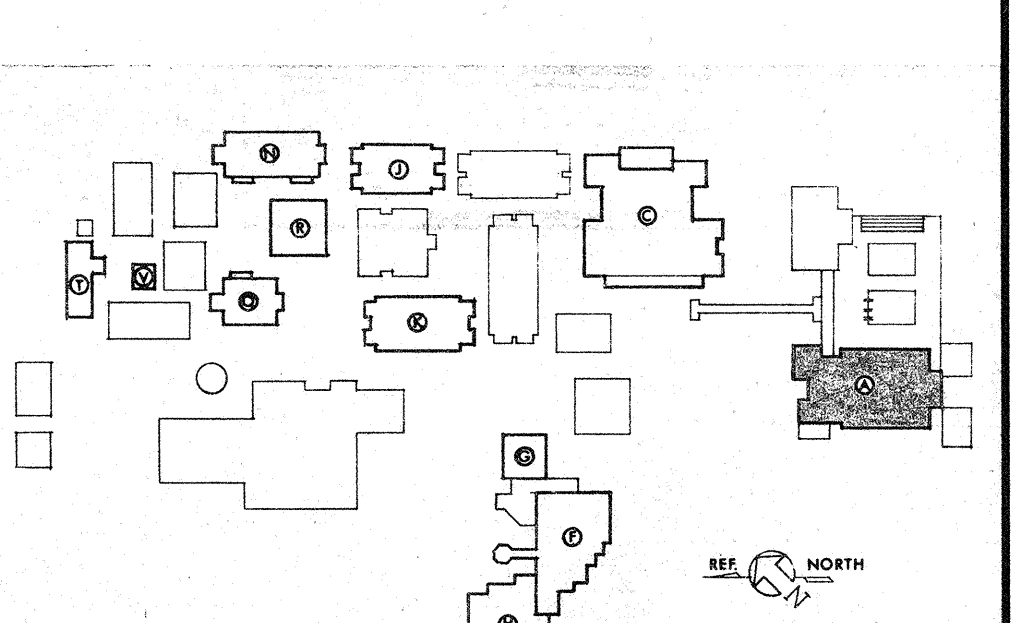
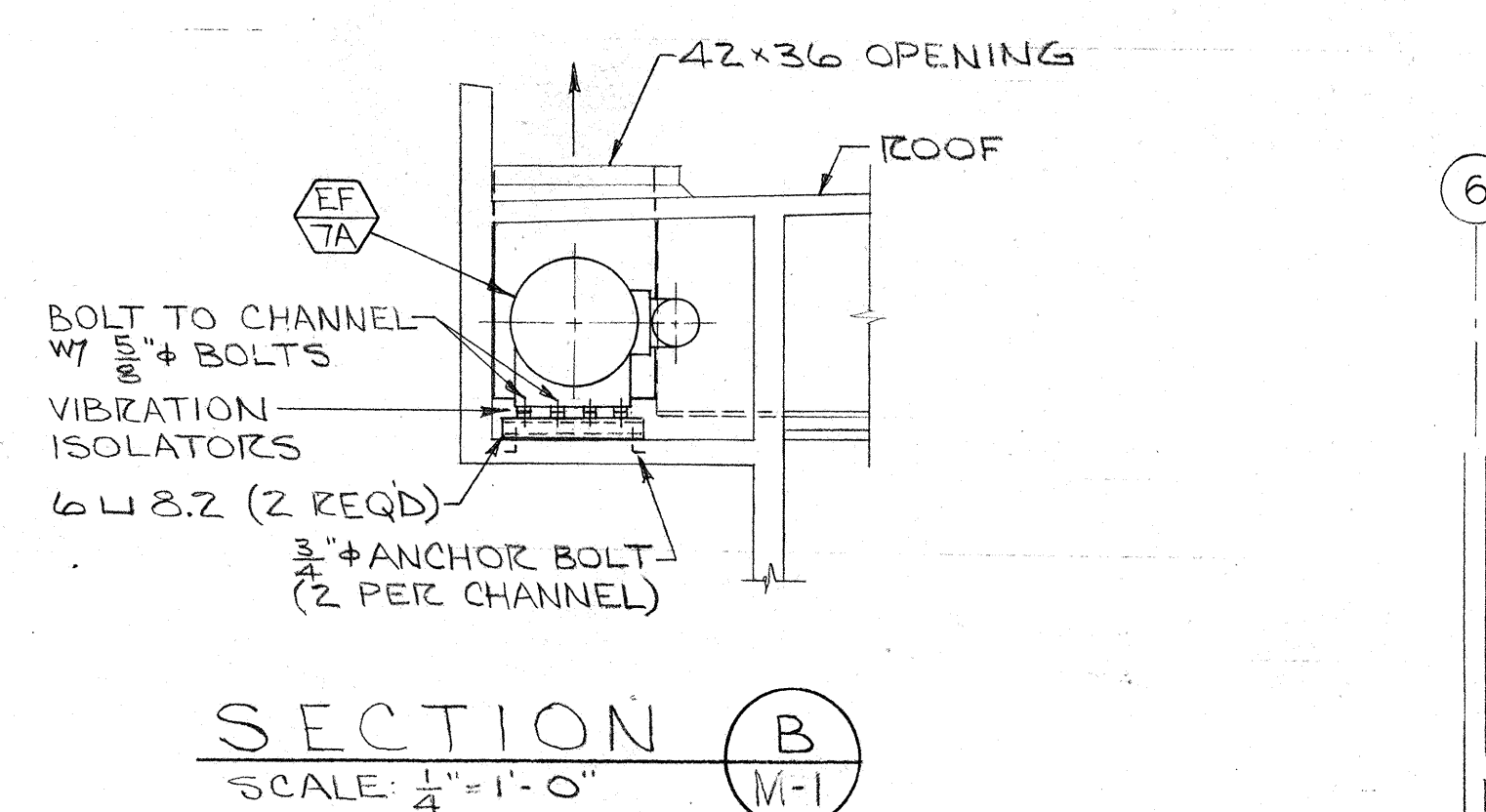


LOWER LEVEL PLAN
SCALE: 1/8" = 1'-0"

JOHN A. BRUM & ASSOC. ENGINEERS
 CIVIL & STRUCTURAL ENGINEERS
 KELLER & GANNON
 MECHANICAL & ELECTRICAL ENGINEERS
 LANDSCAPE ARCHITECT
 SAN FRANCISCO, CALIFORNIA
 WELTON BECKETT AND ASSOCIATES ARCHITECTS
 153 MAIDEN LANE, SAN FRANCISCO, CALIFORNIA
 SAN MATEO JUNIOR COLLEGE DISTRICT
 SOUTH CAMPUS
 REDWOOD CITY, CALIFORNIA



- GENERAL NOTES "A"**
- SEE ARCHITECTURAL REFLECTED CEILING PLANS FOR EXACT LOCATION OF CEILING DIFFUSERS AND REGISTER.
 - FIRE DAMPERS SHALL BE INSTALLED WHERE SHOWN AND/OR REQD. & AT ALL DUCT SHAFTS & FLOOR SLAB PENETRATIONS. PROVIDE DUCT ACCESS.
 - INSTALL AIR VENTS AT HIGH POINTS OF HWS & HWK PIPING AND AT OTHER POINTS AS REQUIRED.
 - SEE COIL SCHEDULE ON DWG. M-51 FOR PIPE SIZES OF RUNOUTS TO COILS.
 - INTERNALLY INSULATE ALL DUCTS & PLENUMS ON UNITS AC-1 THRU AC-7A, EF-1A AND EF-2A THRU EF-7A. INTERNALLY INSULATE DUCTWORK FOR A DISTANCE OF 30 FT. DOWNSTREAM OF HV-1A. DUCT SIZES SHOWN ARE NET SIZES.
 - ALL DUCTWORK ON EF-2A SHALL BE STAINLESS STEEL.
 - FOR EXACT LOCATION OF HWS & HWK ENTICING BUILDING SEE DWG. SU-1.



MECHANICAL 1ST & 2ND FLOOR PLANS
SCALE AS SHOWN DATE 2-20-67 JOB NO. 5490

JOHN A. BURKE & ASSOC. ENGINEERS
CIVIL & STRUCTURAL ENGINEERS
WELTON BECKETT & ASSOCIATES
MECHANICAL & ELECTRICAL ENGINEERS
DOUGLAS BAYLIS
LANDSCAPE ARCHITECT
SAN FRANCISCO, CALIFORNIA

WELTON BECKETT AND ASSOCIATES — CHAN/RADER AND ASSOCIATES
ARCHITECTS
153 MAIDEN LANE, SAN FRANCISCO, CALIFORNIA

SAN MATEO JUNIOR COLLEGE DISTRICT
SOUTH CAMPUS
REDWOOD CITY, CALIFORNIA

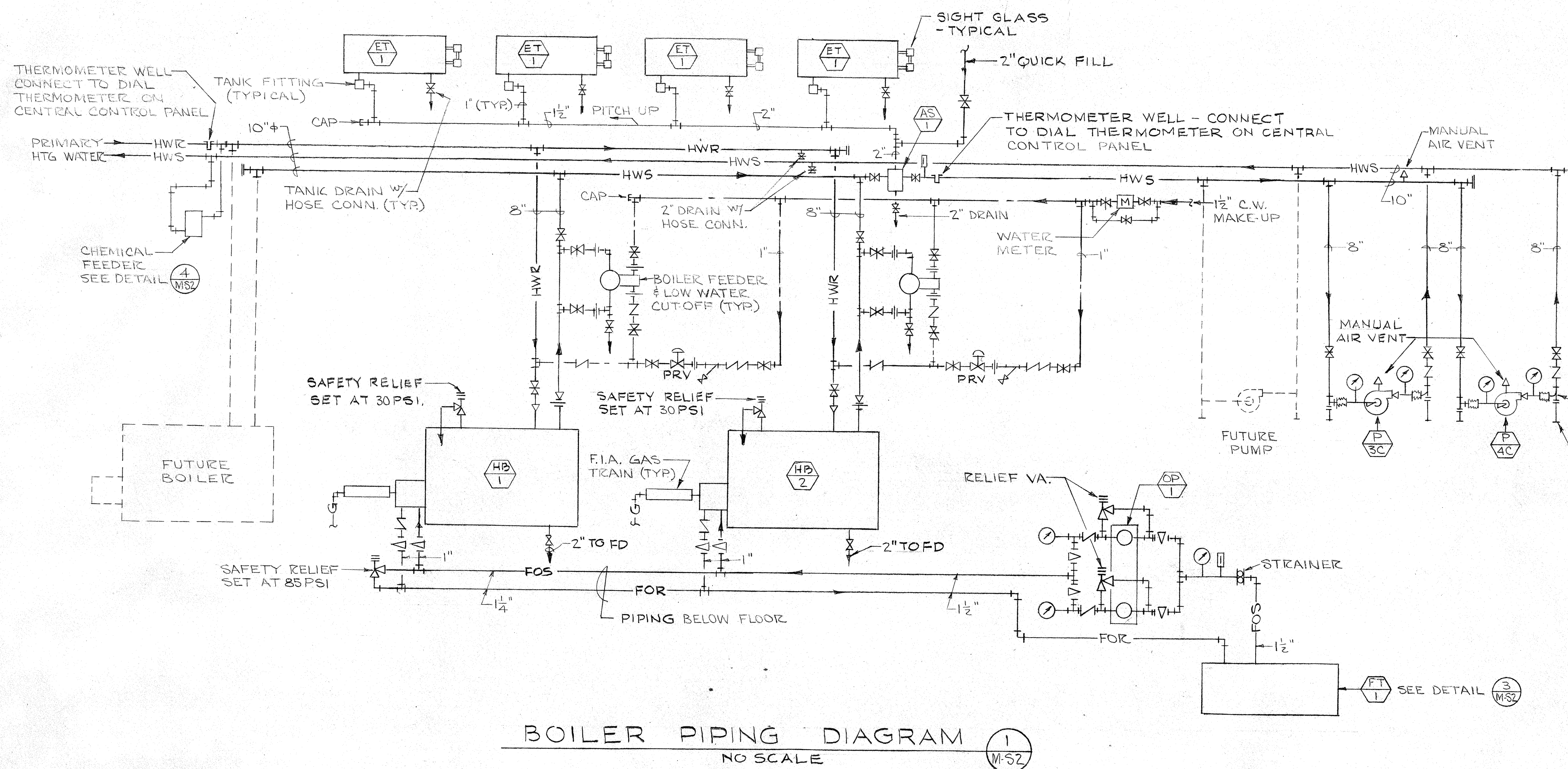
REVISIONS
1. J. BURKE 2-20-67

M-1
BLDG "A"

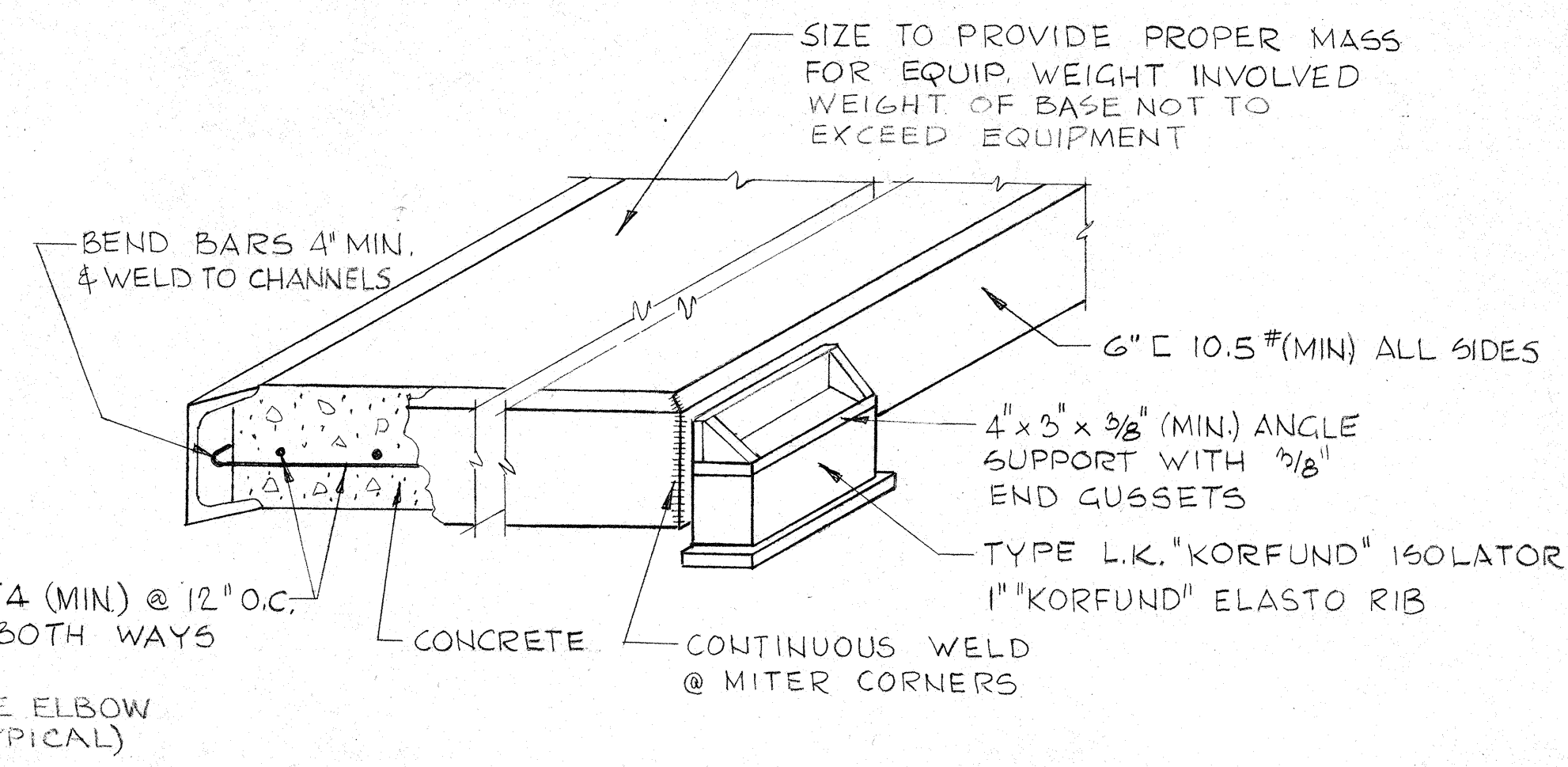
COIL SCHEDULE											
ITEM	C.F.M.	ENTERING AIR TEMP.	LEAVING AIR TEMP.	MAX. FACE VELOCITY	WATER G.P.M.	WATER TEMP.	MAX. PRESS. LOSSES	NOTES	PIPE SIZE	WATER	WATER
		°F	°F	F.P.M.	G.P.M.	°F	AIR IN. W.C. WATER FT. HD.				
HC-1A	4625	33	60	550	7	200	1.0	IN AC-1A	1 1/2"		
HC-2A	21000	33	60	550	53	200	1.0	IN AC-2A #3A	2 1/2"		
HC-3A	1500	92	80	4.8	1.0	2.0	1.0	IN AC-3A THRU TA	2"		
HC-4A	20025	33	60	550	51	200	1.0	IN AC-4A	2 1/2"		
HC-1J	24350	50	65	550	20	200	1.0	IN AC-1J	2"		
HC-1K	38100	50	65	550	31	200	1.0	IN AC-1K	2"		
HC-1N	38600	99	60	550	57	200	1.0	IN AC-1N	2 1/2"		
HC-1Q	15540	99	60	550	29	200	1.0	IN AC-1Q	2"		
HC-1R	19400	50	65	550	11	200	1.0	IN AC-1R	1 1/2"		
HC-1T	2450	55	101	550	6.1	200	1.0	IN AC-1T	1"		
HC-2T	9000	99	96	9.1	2.0	1.0	1.0	N HV 1T	2"		
HC-3T	9500	99	96	12	1.5	1.0	1.0	N HV-2T	1 1/2"		
HC-1F	11100	50	65	550	9	200	1.0	IN AC-1F	1 1/2"		
HC-2F	24700	33	60	3.6	1.5	6.0	1.0	IN AC-2F	1 1/2"		
HC-3F	4075	50	65	3.3	1.5	2.0	1.0	IN AC-3F	1 1/2"		
HC-1G	7050	50	65	550	57	200	1.0	IN AC-1G	1"		
HC-2G	8800	50	65	550	71	200	1.0	IN AC-2G	1 1/2"		
HC-1H	22600	50	65	550	63	200	1.0	IN AC-1H	1 1/2"		
HC-1C	22050	60	75	500	17.9	200	1.0	IN AC-1C	1 1/2"		
HC-2C	22050	76.5	62.6	55.0	16.1	45	55	3.0	12.0		
HC-3C	16550	50	65	550	13.4	200	1.0	IN AC-2C	1 1/2"		
HC-4C	16550	50	65	550	13.4	200	1.0	IN AC-2C	1 1/2"		
HC-5C	37150	33	60	550	95.6	45	55	3.0	3.0		
HC-6C	37150	33	60	550	95.6	45	55	3.0	3.0		
HC-7C	37150	33	60	550	95.6	45	55	3.0	3.0		
HC-8C	6000	33	101	550	22	200	1.0	IN AC-4C	2"		
HC-9C	6000	33	101	550	22	200	1.0	IN AC-4C	2"		
HC-10C	6000	33	101	550	22	200	1.0	IN AC-4C	2"		
HC-11C	3000	33	75	550	5.1	45	55	4.0	10.0		
HC-12C	3000	33	75	550	5.1	45	55	4.0	10.0		
HC-13C	3000	33	75	550	5.1	45	55	4.0	10.0		
HC-14C	3000	33	75	550	5.1	45	55	4.0	10.0		
HC-15C	3000	33	75	550	5.1	45	55	4.0	10.0		
HC-16C	3000	33	75	550	5.1	45	55	4.0	10.0		
HC-17C	3000	33	75	550	5.1	45	55	4.0	10.0		
HC-18C	3000	33	75	550	5.1	45	55	4.0	10.0		
HC-19C	3000	33	75	550	5.1	45	55	4.0	10.0		
HC-20C	3000	33	75	550	5.1	45	55	4.0	10.0		
HC-21C	3000	33	75	550	5.1	45	55	4.0	10.0		
HC-22C	3000	33	75	550	5.1	45	55	4.0	10.0		
HC-23C	3000	33	75	550	5.1	45	55	4.0	10.0		
HC-24C	3000	33	75	550	5.1	45	55	4.0	10.0		
HC-25C	3000	33	75	550	5.1	45	55	4.0	10.0		
HC-26C	3000	33	75	550	5.1	45	55	4.0	10.0		
HC-27C	3000	33	75	550	5.1	45	55	4.0	10.0		
HC-28C	3000	33	75	550	5.1	45	55	4.0	10.0		
HC-29C	3000	33	75	550	5.1	45	55	4.0	10.0		
HC-30C	3000	33	75	550	5.1	45	55	4.0	10.0		
HC-31C	3000	33	75	550	5.1	45	55	4.0	10.0		
HC-32C	3000	33	75	550	5.1	45	55	4.0	10.0		
HC-33C	3000	33	75	550	5.1	45	55	4.0	10.0		
HC-34C	3000	33	75	550	5.1	45	55	4.0	10.0		
HC-35C	3000	33	75	550	5.1	45	55	4.0	10.0		
HC-36C	3000	33	75	550	5.1	45	55	4.0	10.0		
HC-37C	3000	33	75	550	5.1	45	55	4.0	10.0		
HC-38C	3000	33	75	550	5.1	45	55	4.0	10.0		
HC-39C	3000	33	75	550	5.1	45	55	4.0	10.0		
HC-40C	3000	33	75	550	5.1	45	55	4.0	10.0		
HC-41C	3000	33	75	550	5.1	45	55	4.0	10.0		
HC-42C	3000	33	75	550	5.1	45	55	4.0	10.0		
HC-43C	3000	33	75	550	5.1	45	55	4.0	10.0		
HC-44C	3000	33	75	550	5.1	45	55	4.0	10.0		
HC-45C	3000	33	75	550	5.1	45	55	4.0	10.0		
HC-46C	3000	33	75	550	5.1	45	55	4.0	10.0		
HC-47C	3000	33	75	550	5.1	45	55	4.0	10.0		
HC-48C	3000	33	75	550	5.1	45	55	4.0	10.0		
HC-49C	3000	33	75	550	5.1	45	55	4.0	10.0		

ITEM	C.F.M.	ENTERING AIR TEMP.	LEAVING AIR TEMP.	MAX. FACE VELOCITY	WATER G.P.M.	WATER TEMP.	MAX. PRESS. LOSSES	NOTES	PIPE SIZE
HC-1	150	60	90	550	1.0	200	1.0	REHEAT COIL	3/8"
HC-2	175	60	90	550	1.0	186	1.0		3/8"
HC-3	200-250	60	90	550	1.0	185	1.0		3/8"
HC-4	250	60	90	550	1.0	192	1.0		3/8"
HC-5	300	60	90	550	1.0	178	1.0		3/8"
HC-6	350-450	60	90	550	1.0	185	1.0		3/8"
HC-7	350-500	60	90	550	1.0	172	1.0		3/8"
HC-8	500-550	60	90	550	1.0	164	1.0		3/8"
HC-9	600-800	60	90	550	1.0	168	1.0		3/8"
HC-10	700-800	60	90	550	1.0	170	1.0		3/8"
HC-11	900	60	90	550	1.0	170	1.0		3/8"
HC-12	900-1050	60	90	550	1.0	170	1.0		3/8"
HC-13	1800-1500	60	90	550	1.0	160	1.0		3/8"
HC-14	1500	60	90	550	1.0	2.9	2.9		3/8"
HC-15	1000-900	60	90	550	1.0	2.6	2.6		3/8"
HC-16	2000-2500	60	90	550	1.0	2.7	2.7		3/8"
HC-17	2200	60	90	550	1.0	3.0	3.0		3/8"
HC-18	2750	60	90	550	1.0	3.7	3.7		3/8"
HC-19	1000	60	90	550	1.0	1.6	1.6		3/8"
HC-20	5250	60	90	550	1.0	4.3	4.3		3/8"
HC-21	9300	60	90	550	1.0	12.6	12.6		3/8"
HC-22	9800	60	90	550	1.0	13.3	13.3		3/8"
HC-23	150-250	62	75	550	1.0	1.0	1.0		3/8"
HC-24	225-325	62	75	550	1.0	1.0	1.0		3/8"
HC-25	300-400	62	75	550	1.0	1.0	1.0		3/8"
HC-26	400-500	62	75	550	1.0	1.0	1.0		3/8"
HC-27	500-725	62	75	550	1.0	1.0	1.0		3/8"
HC-28	600-675	62	75	550	1.0	1.0	1.0		3/8"
HC-29	700-900	62	75	550	1.0	1.0	1.0		3/8"
HC-30	900-950	62	75	550	1.0	1.0	1.0		3/8"
HC-31	900	62	75	550	1.0	1.0	1.0		3/8"
HC-32	1175	62	75	550	1.0	1.0	1.0		3/8"
HC-33	800-1400	62	75	550	1.0	2.1	2.1		3/8"
HC-34	800-1500	62	75	550	1.0	1.9	1.9		3/8"
HC-35	1600-1950	62	75	550	1.0	1.8	1.8		3/8"
HC-36	1950-2250	62	75	550	1.0	1.6	1.6		3/8"
HC-37	2000-2175	62	75	550	1.0	2.4	2.4		3/8"
HC-38	2550-2800	62	75	550	1.0	4.1	4.1		3/8"
HC-39	3000	62	75	550	1.0	2.9	2.9		3/8"
HC-40	6950	62	75	550	1.0	5.6	5.6		3/8"
HC-41	200	62	75	550	1.0	1.0	1.0		3/8"
HC-42	500	62	75	550	1.0	1.0	1.0		3/8"
HC-43	600-750	62	75	550	1.0	1.0	1.0		3/8"
HC-44	400-450	62	75	550	1.0	1.0	1.0		3/8"
HC-45	1175-2100	62	75	550	1.0	2.7	2.7		3/8"
HC-46	3150	62	75	550	1.0	1.0	1.0		3/8"
HC-47	3200	62	75	550	1.0	3.5	3.5		3/8"
HC-48	3400	62	75	550	1.0	3.7	3.7		3/8"
HC-49	325-400	62	75	550	1.0	1.0	1.0		3/8"

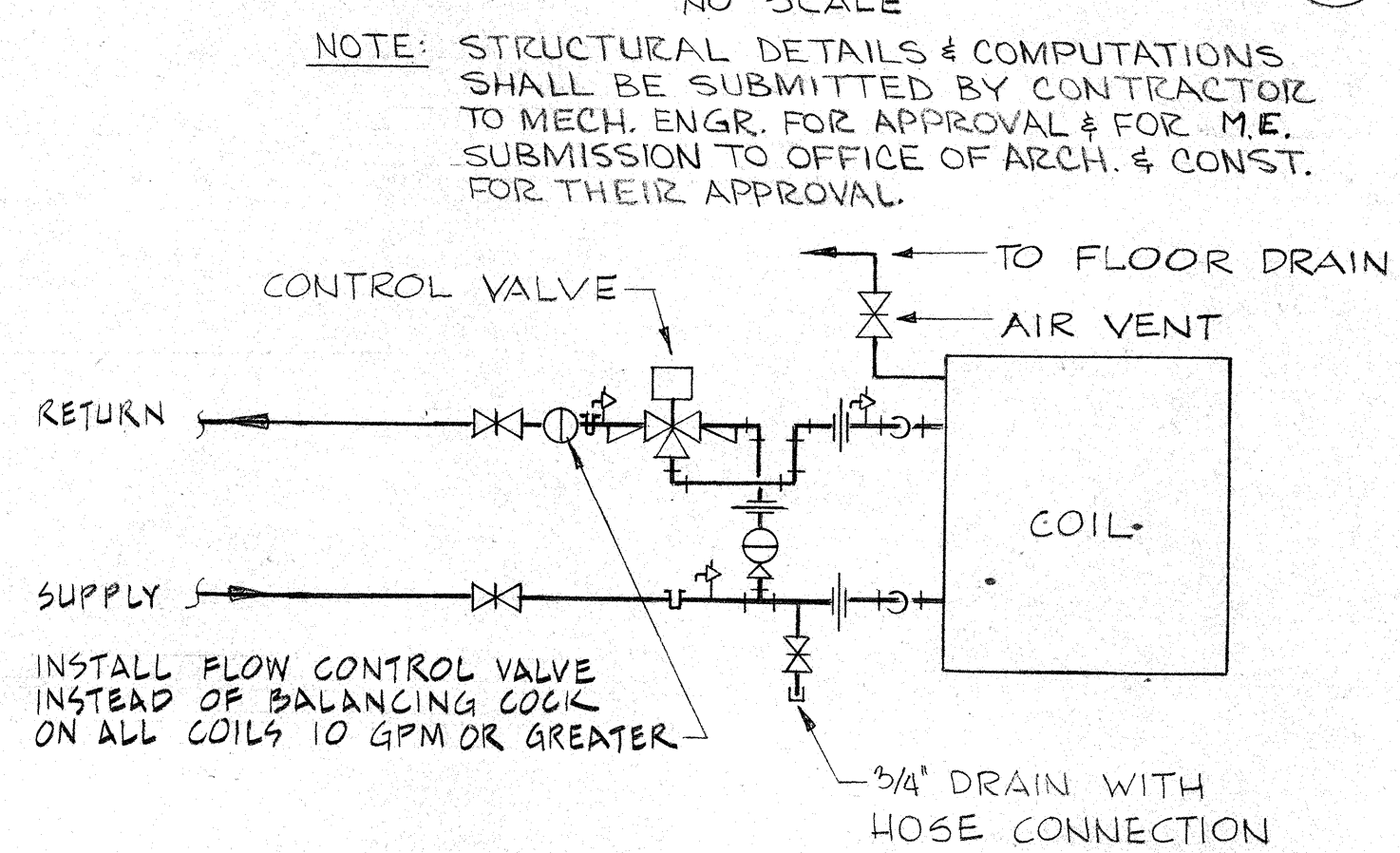
NOTES: 1. ALL COILS IN A.C. AND H.V. UNITS AND ALL RE



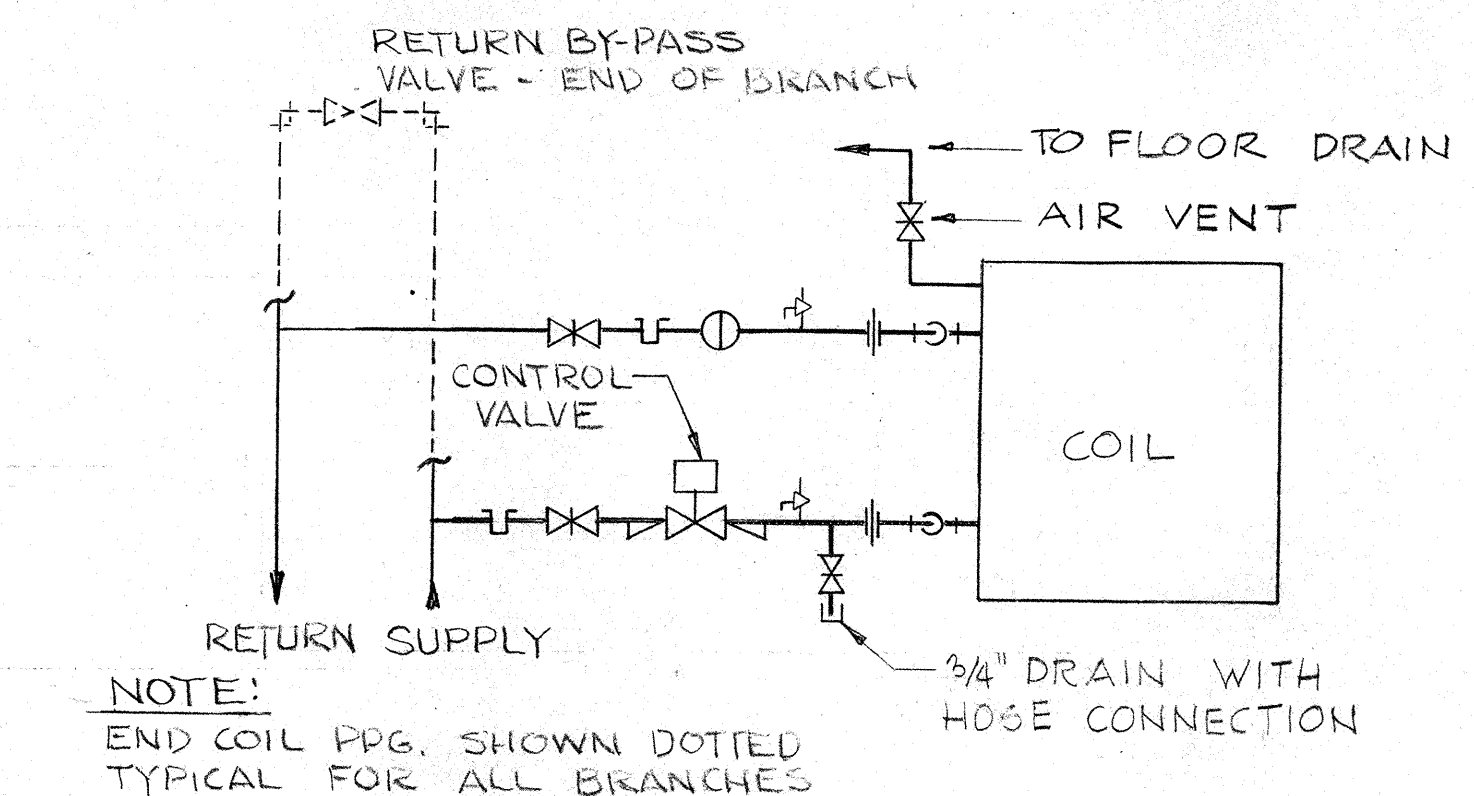
BOILER PIPING DIAGRAM (1) MSZ
NO SCALE



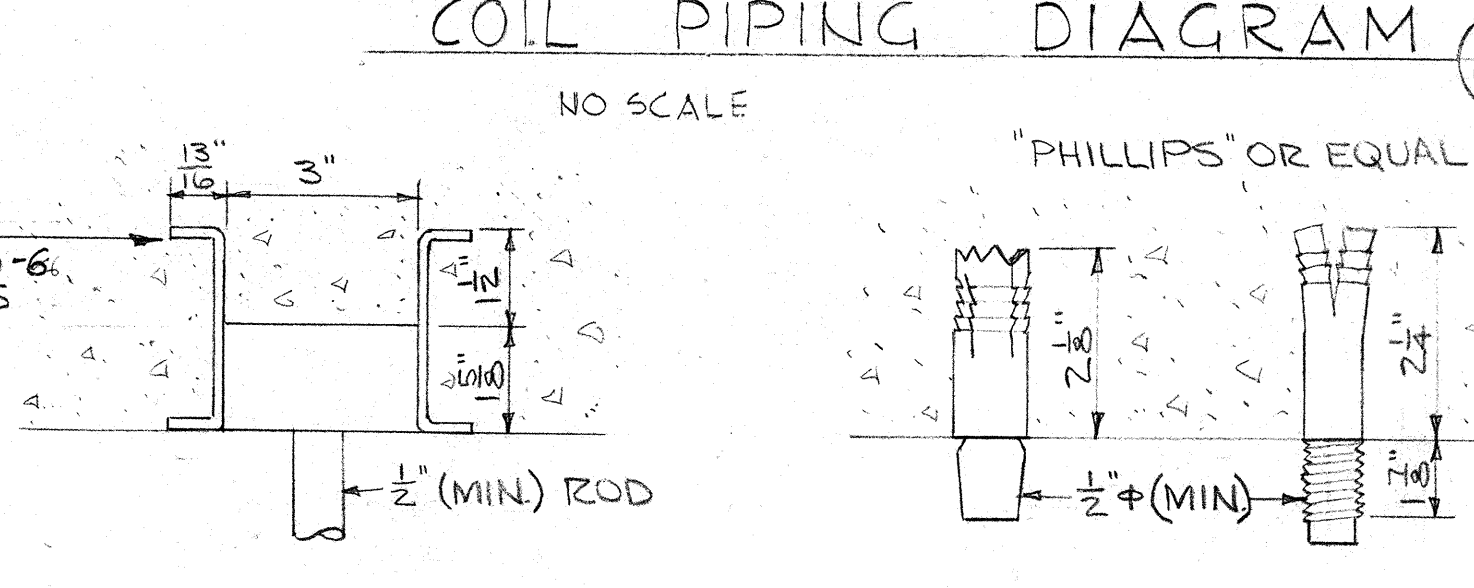
INERTIA BASE & ISOLATORS (2) MSZ
NO SCALE



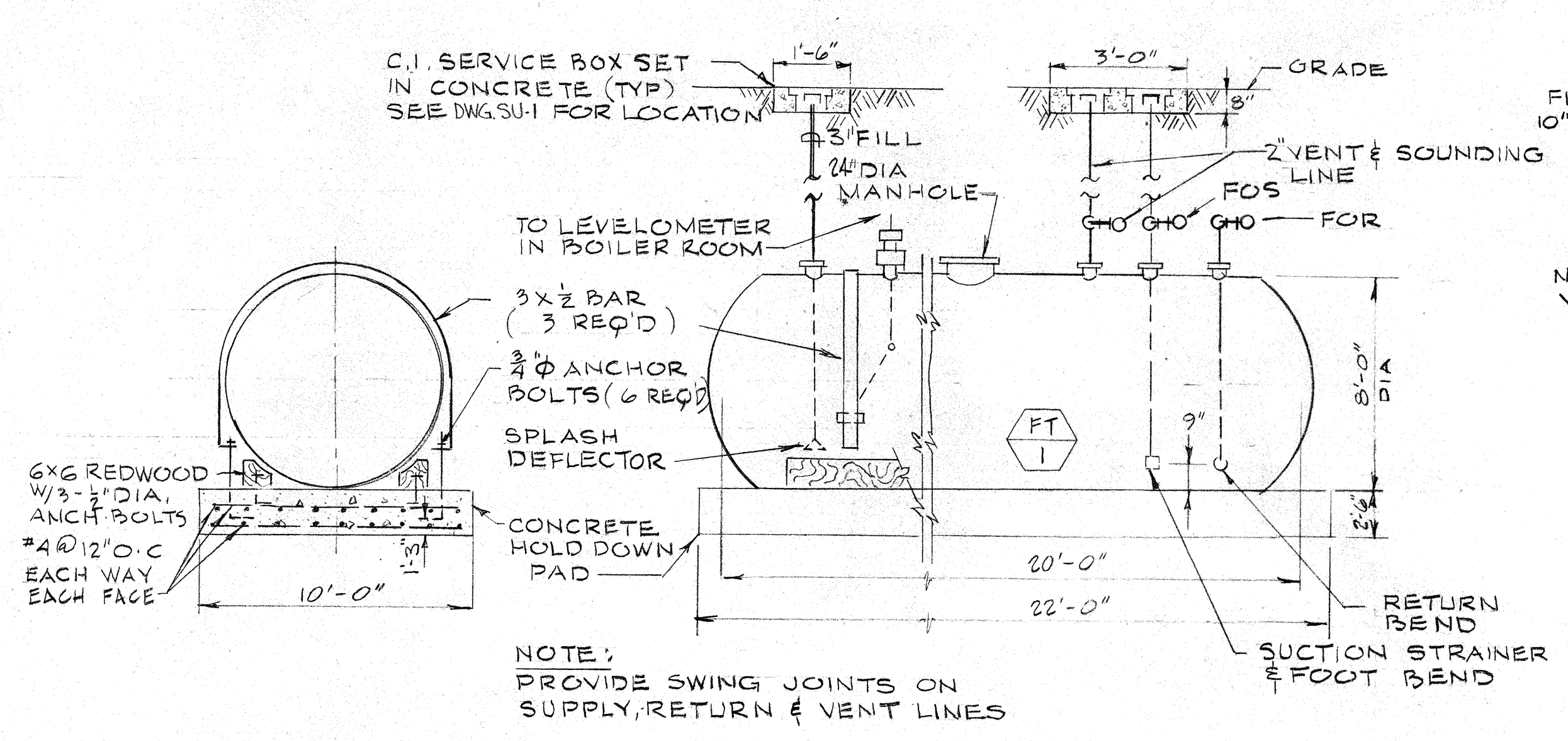
3 WAY MIXING VALVE (3) MSZ
NO SCALE



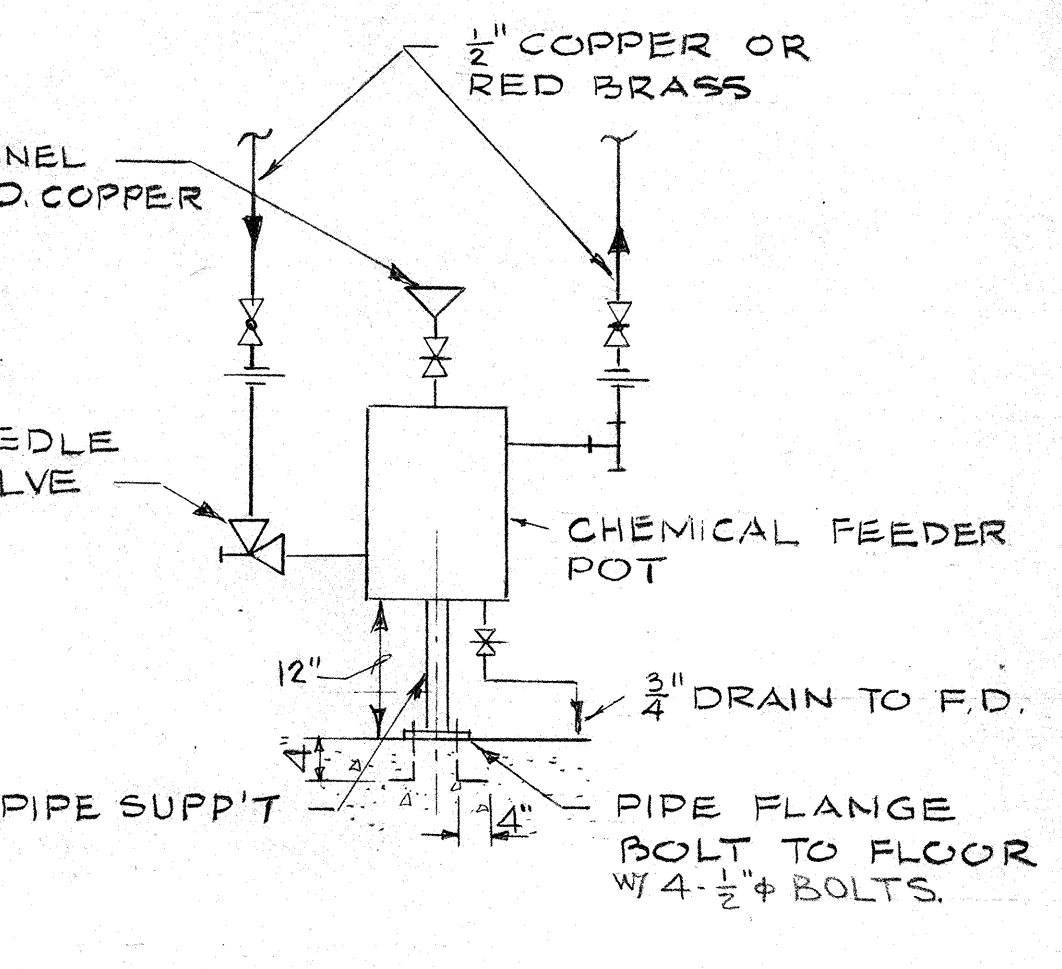
THROTTLING VALVE (4) MSZ
NO SCALE



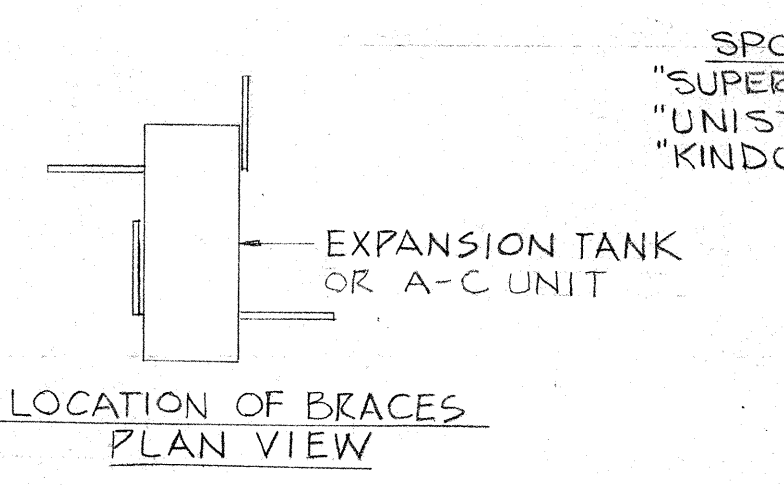
COIL PIPING DIAGRAM (5) MSZ
NO SCALE



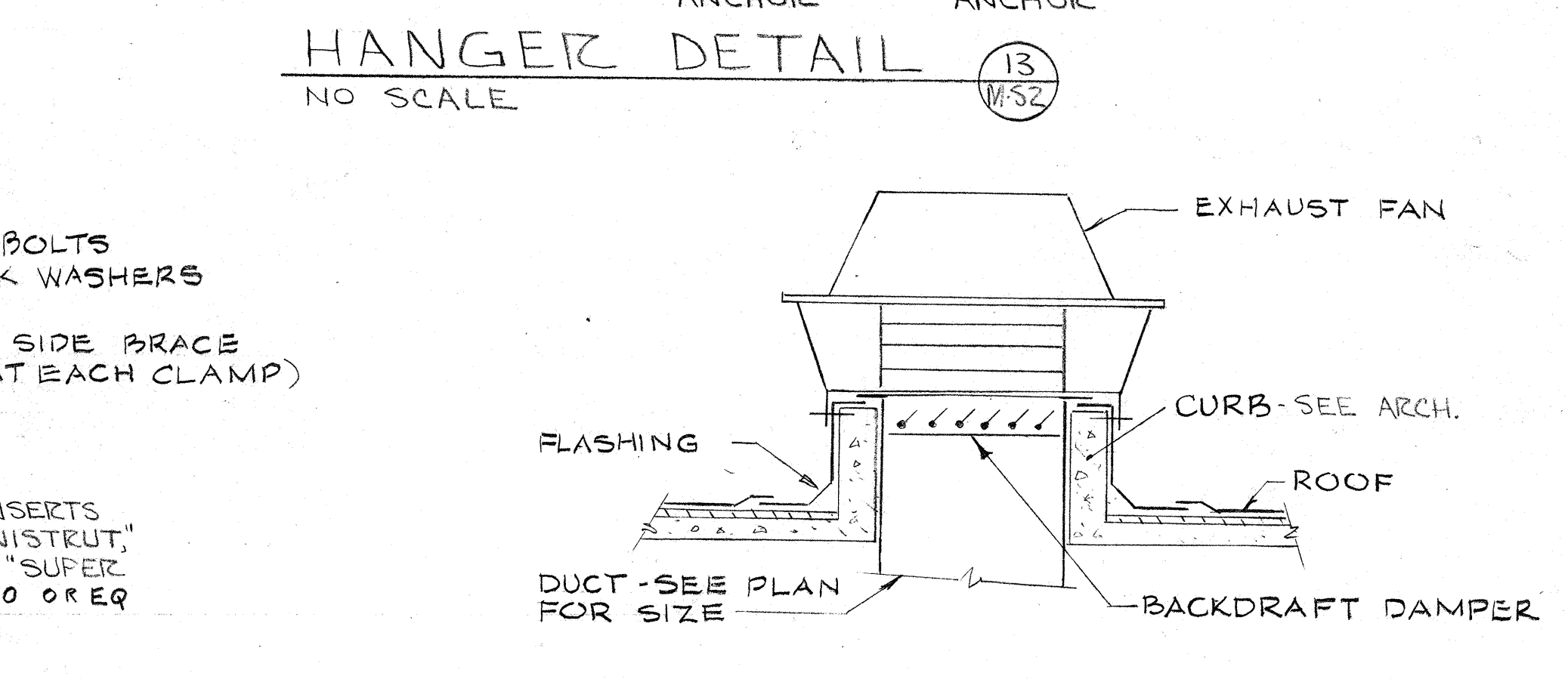
FUEL OIL STORAGE TANK (6) MSZ
NO SCALE



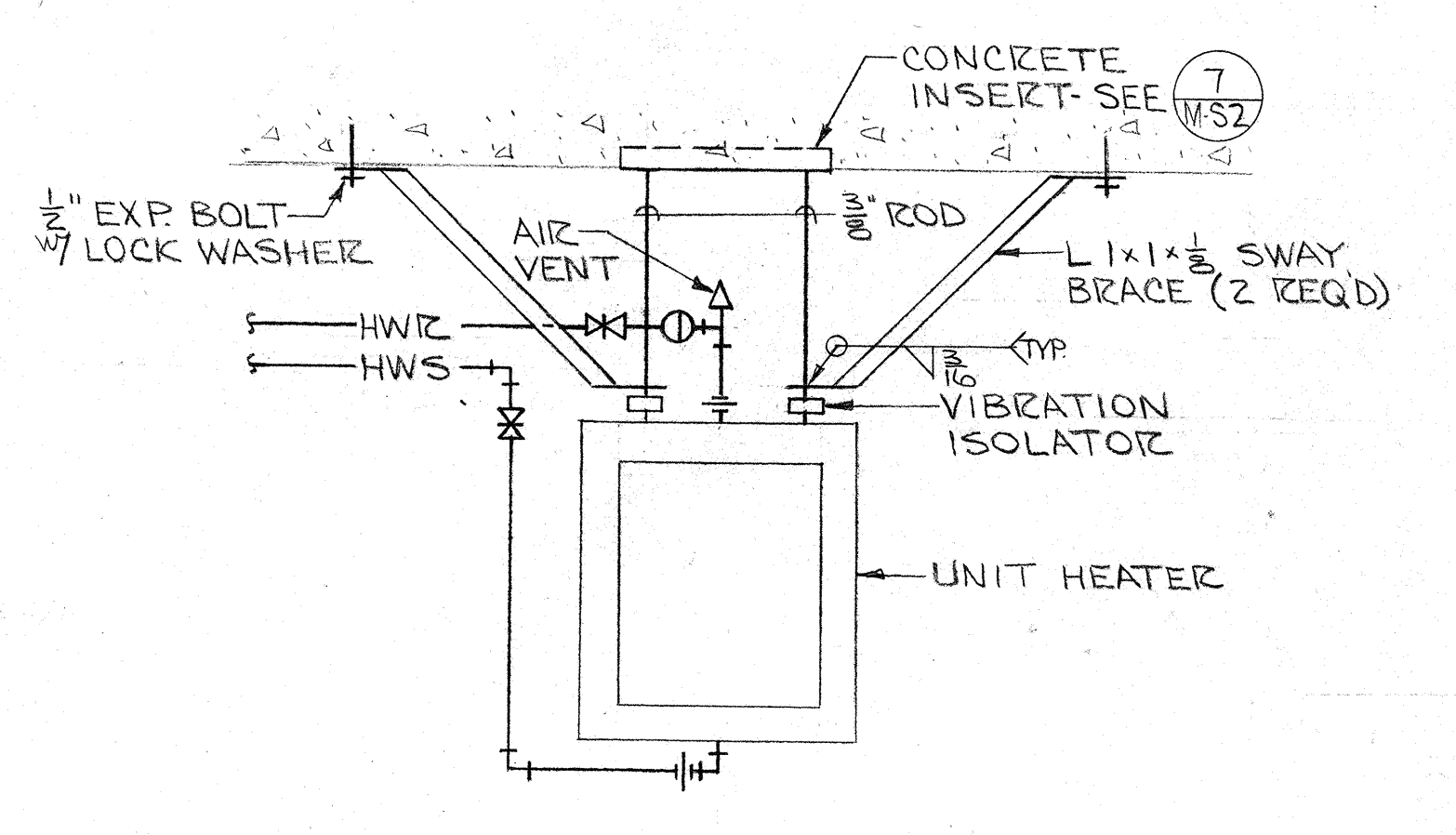
CHEMICAL FEEDER (7) MSZ
NO SCALE



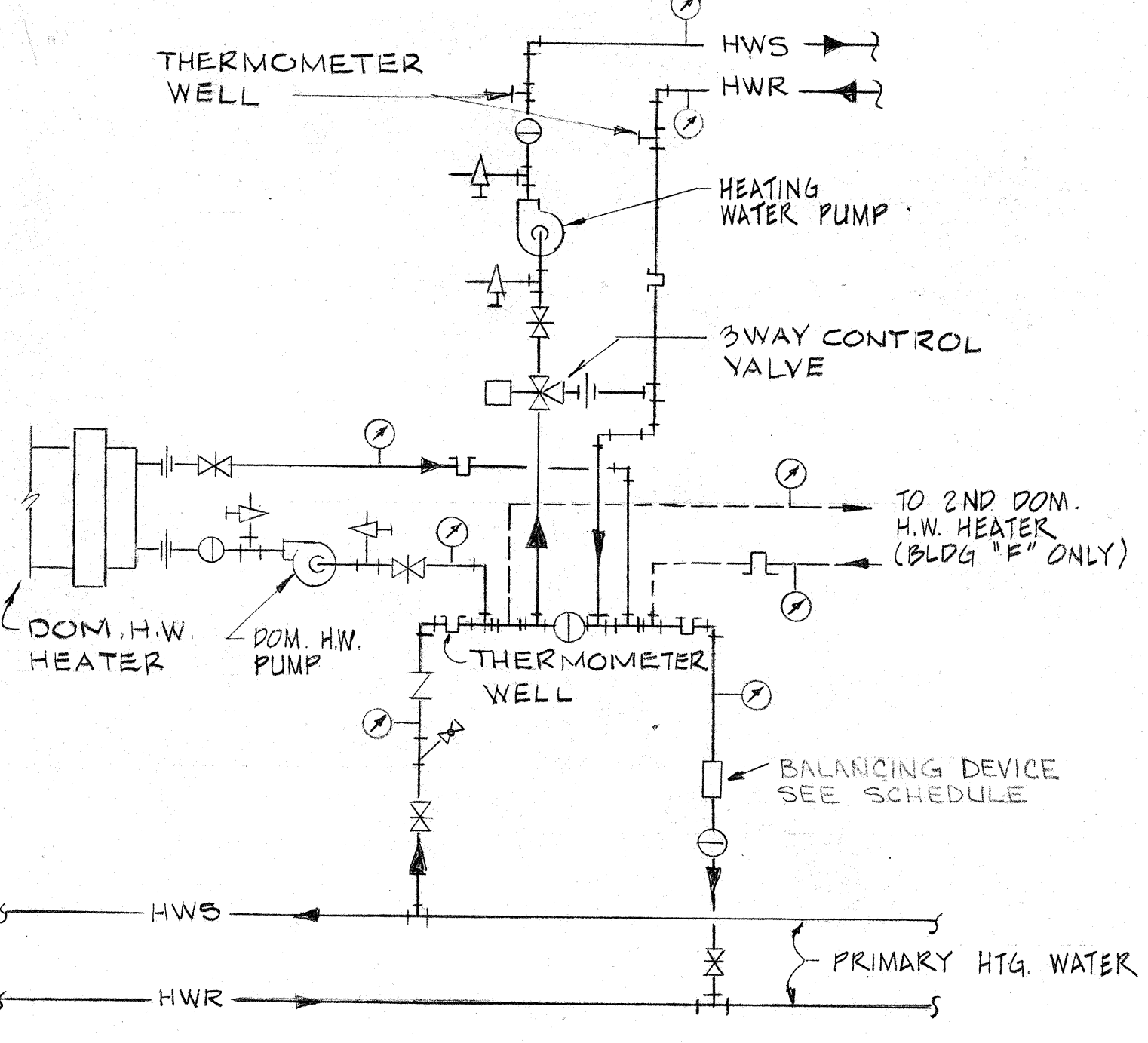
EXPANSION TANK SUPPORT (8) MSZ
NO SCALE



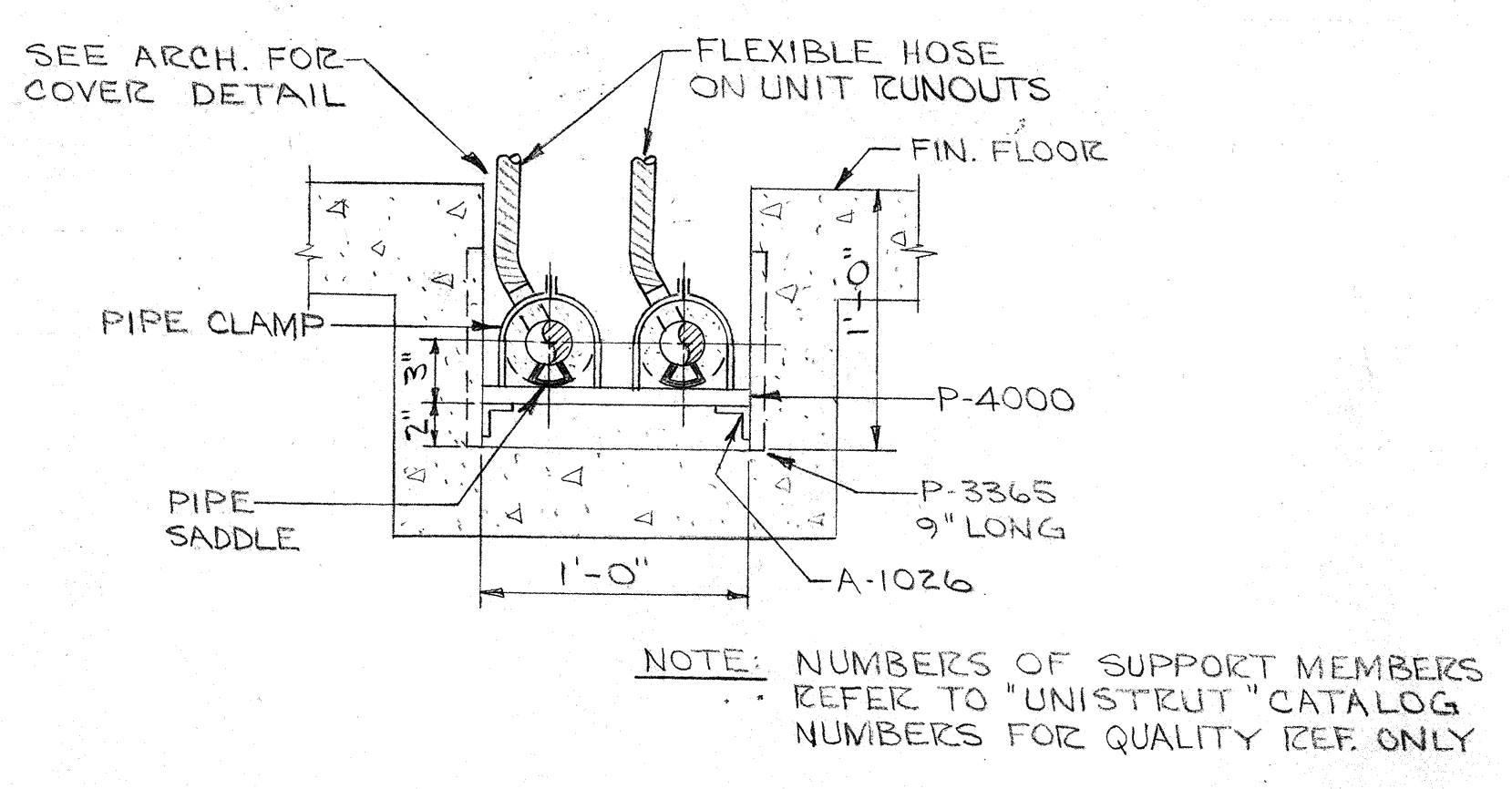
ROOF FAN DETAIL (9) MSZ
NO SCALE
(RELIEF VENT SIMILAR)



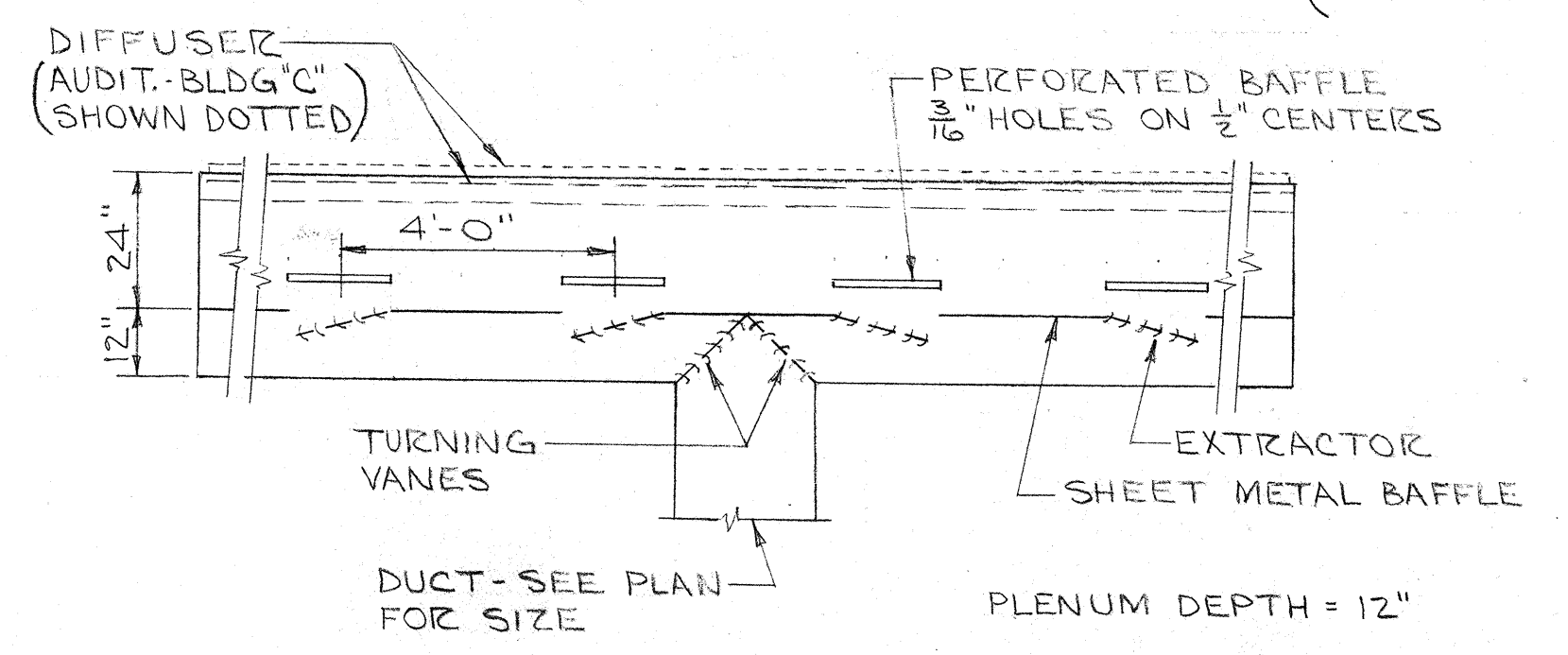
UNIT HEATER SUPPORT & PIPING (10) MSZ
NO SCALE



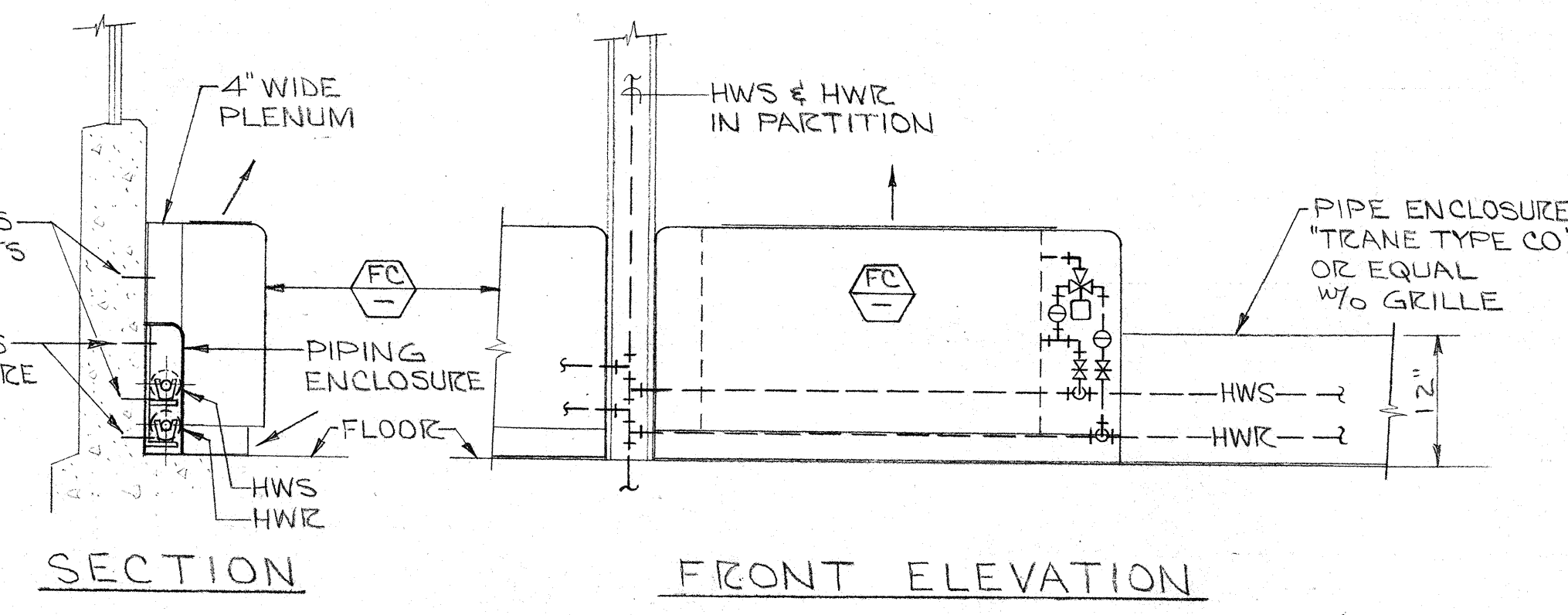
TYPICAL BUILDING HEATING PIPING DIAGRAM (11) MSZ
NO SCALE



UNDERFLOOR TRENCH (12) MSZ
SCALE: 1/2\"/>



CONTINUOUS DIFFUSER PLENUM (13) MSZ
NO SCALE



FAN-COIL UNITS (14) MSZ
SCALE: 3/4\"/>

LEGEND

HWS	DIRECTION OF FLOW
HWR	HEATING WATER SUPPLY
CWS	HEATING WATER RETURN
CWR	CHILLED WATER SUPPLY
C	CHILLED WATER RETURN
CR	CONDENSER WATER SUPPLY
CR	CONDENSER WATER RETURN
G	GAS LINE
FOS	FUEL OIL SUPPLY
FOR	FUEL OIL RETURN
FOV	FUEL OIL VENT
D	DOMESTIC COLD WATER
DL	DRAIN LINE
V	VENT LINE
PC	PLUG COCK
FC	FLEXIBLE PIPE CONNECTION
GV	GATE VALVE
CV	CHECK VALVE
GV	GLOBE VALVE
BV	BALANCING COCK
PA	PIPE ANCHOR
UN	UNION
TCV	THROTTLING CONTROL VALVE
TCV	THREE-WAY CONTROL VALVE
TM	THERMOMETER (DIAL TYPE)
PCV	PRESSURE GAGE WITH COCK
AAV	AUTOMATIC AIR VENT (AV) WITH VALVE
TM	THERMOMETER
RC	REHEAT COIL IN DUCT
SA	SOUND ATTENUATOR IN PARTITION
TV	TURNING VANES
AE	AIR EXTRACTOR
VD	VOLUME DAMPER (VD) OR FIRE DAMPER (FD)
SD	SPLITTER DAMPER
SCD	SUPPLY AIR CEILING DIFFUSER
SCD	SUPPLY AIR CEILING DIFFUSER
ERD	EXHAUST AIR CEILING REGISTER OR DIFFUSER
RT	ROOM OR ZONE THERMOSTAT
NO	TOP NO. - CFM
NO	BOT. NO. - SIZE OF DIFFUSER OR REGISTER
NO	EQUIPMENT NUMBER
NO	CONTINUOUS DIFFUSER (SEE SCHEDULE)
NO	TOP - DETAIL NUMBER, BOT. - DWG. NO. WHERE SHOWN
NO	TOP - SECTION LETTER, BOT. - DWG. NO. WHERE SHOWN
T.G.	TRANSFER GRILLE
C.R.	CEILING REGISTER
H.R.	HIGH REGISTER
L.R.	LOW REGISTER
C.D.	CEILING SUPPLY DIFFUSER
R.D.	CEILING RETURN DIFFUSER
H.G.	HIGH GRILLE
D.O.	DAMPENED OPENING IN DUCT
F.A.	FRESH AIR
O.A.	OUTSIDE AIR
F.A.D.	FRESH AIR DAMPER
R.A.D.	RETURN AIR DAMPER
E.A.D.	EXHAUST AIR DAMPER
F.R.	FLOOR REGISTER
ER	ECCENTRIC REDUCER
CR	CENTRIC REDUCER
PC	PLUG COCK
FCV	FLOW CONTROL VALVE
GCV	GAGE COCK
TMW	THERMOMETER WELL
STV	STRAINER WITH BLOW DOWN VALVE

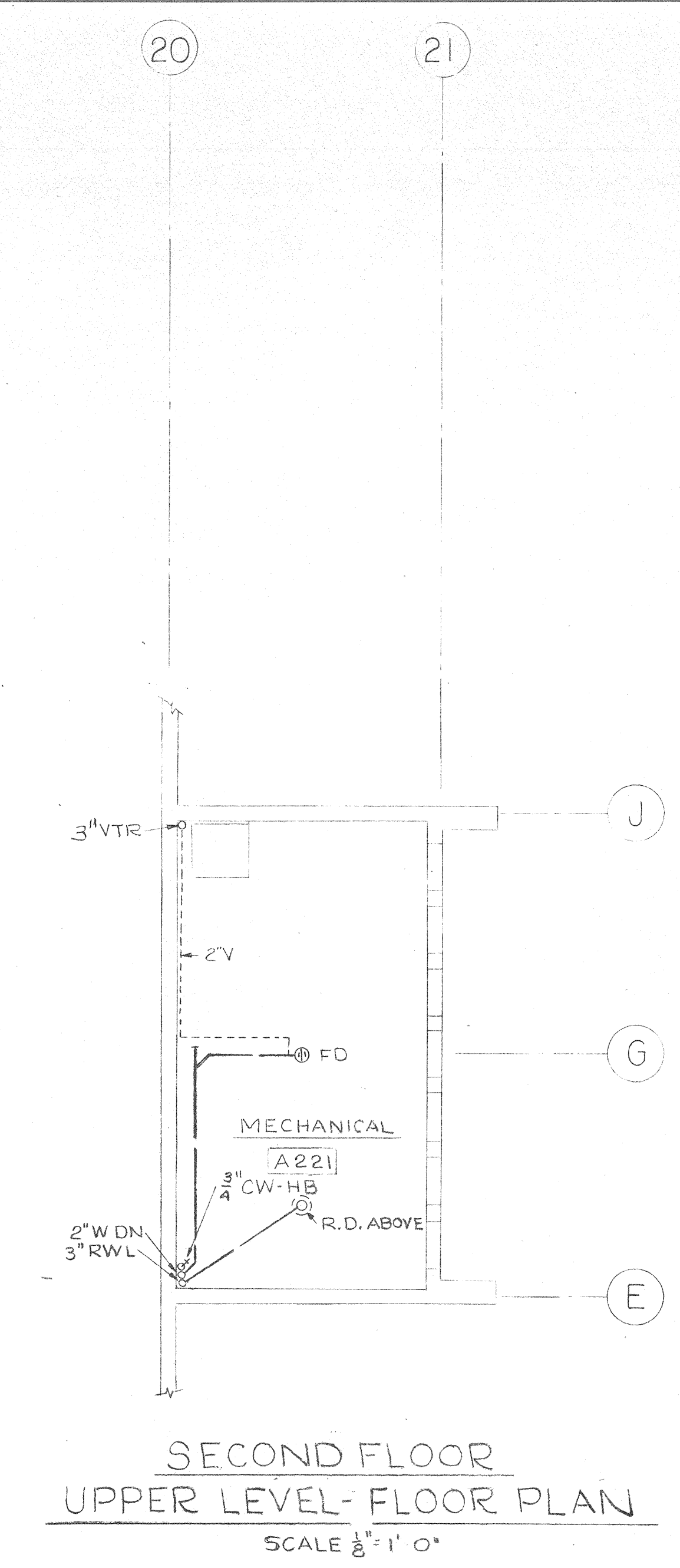
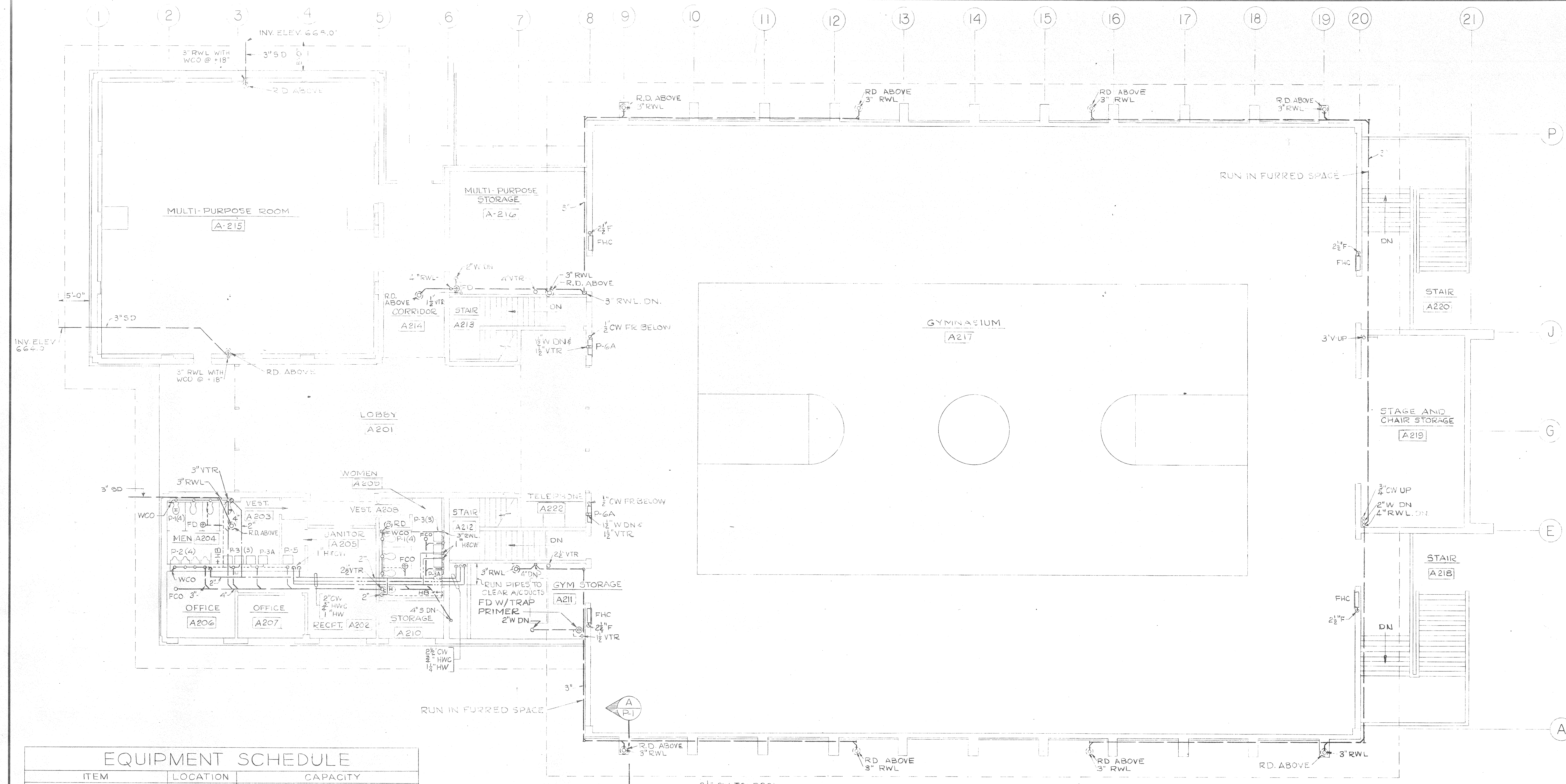
JOHN A. BLUME & ASSOC., ENGINEERS
CIVIL & STRUCTURAL ENGINEERS
WELTON BECKETT AND ASSOCIATES
MECHANICAL & ELECTRICAL ENGINEERS
LANDSCAPE ARCHITECT
SAN FRANCISCO, CALIFORNIA

WELTON BECKETT AND ASSOCIATES - CHAN/RADER AND ASSOCIATES
ARCHITECTS
153 MAIDEN LANE, SAN FRANCISCO, CALIFORNIA

SAN MATEO JUNIOR COLLEGE DISTRICT
SOUTH CAMPUS
REDWOOD CITY, CALIFORNIA

WILSON L. BARBERO
ARCHITECT
SAN MATEO JUNIOR COLLEGE DISTRICT

M-S2

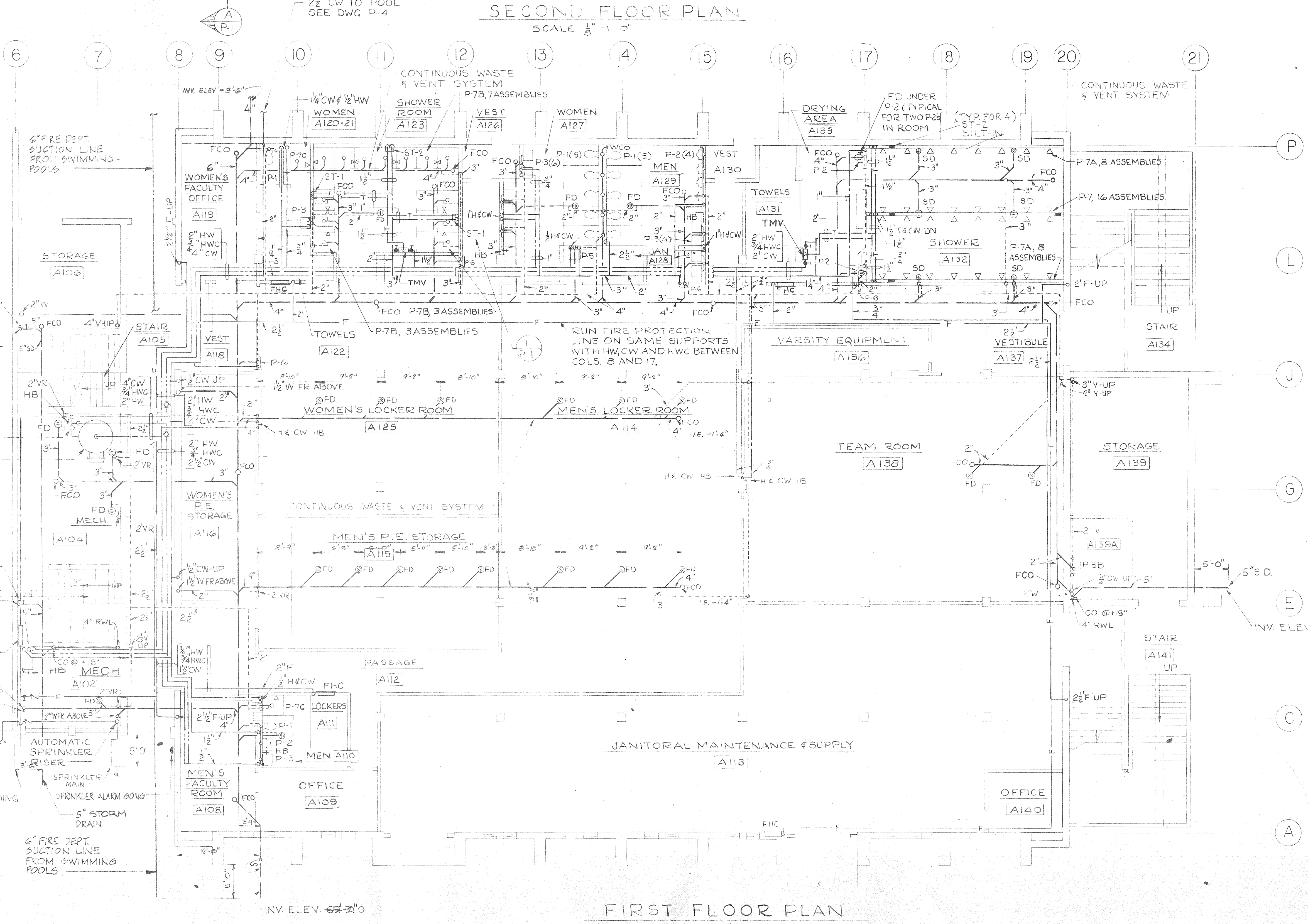
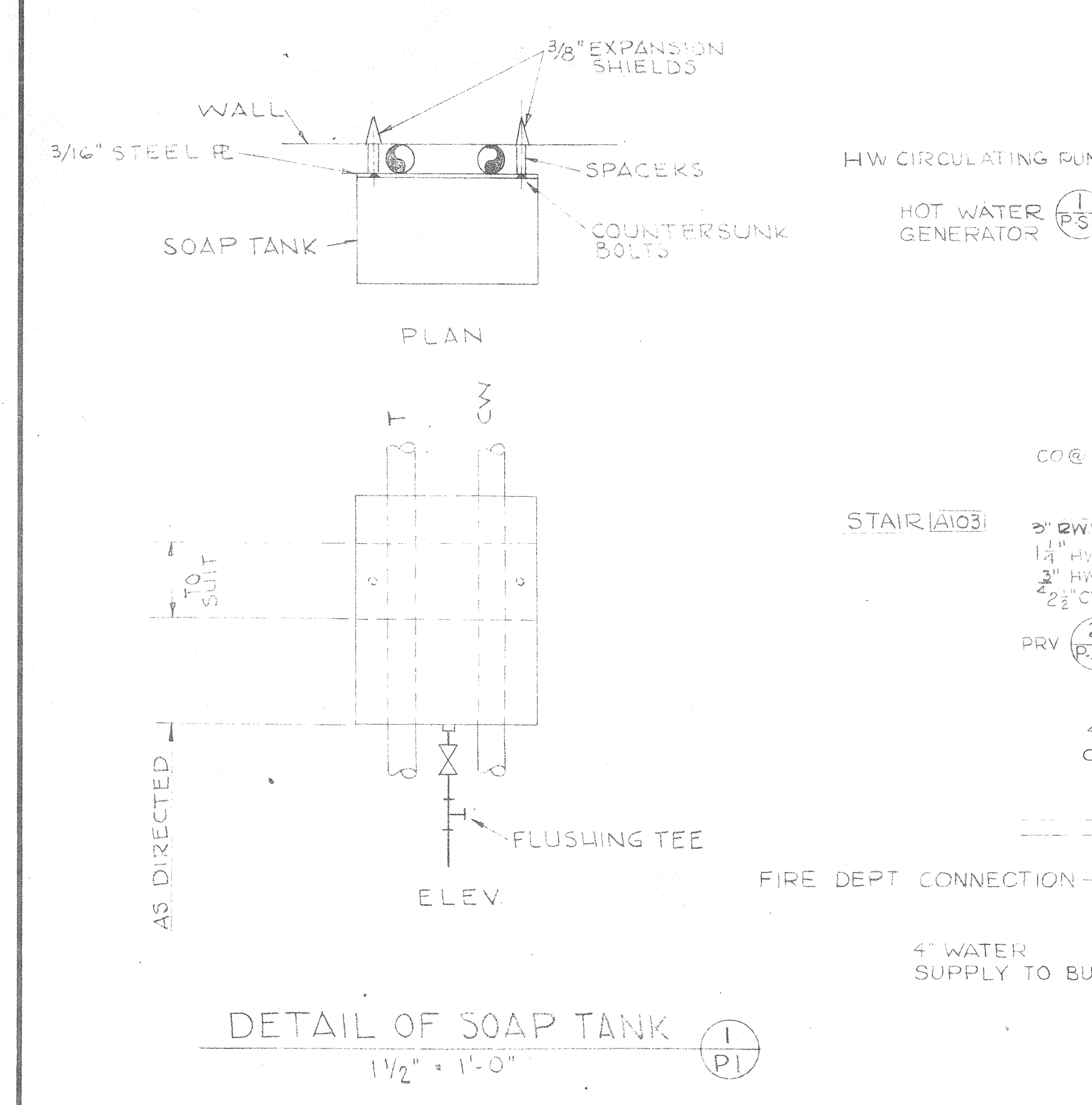


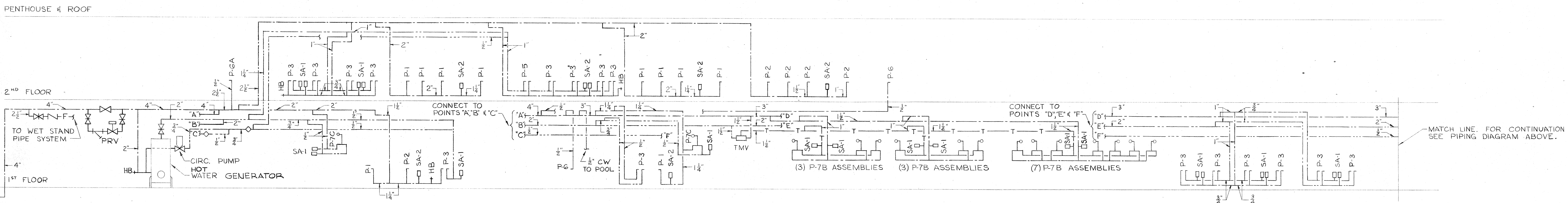
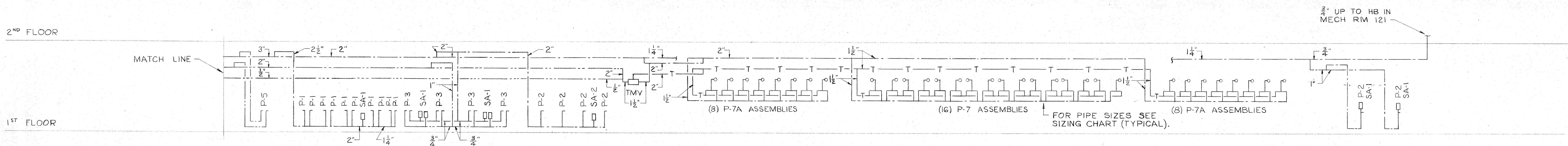
EQUIPMENT SCHEDULE

ITEM	LOCATION	CAPACITY
HOT WATER GENERATOR	BLDG 'A' RM 104	STORAGE TANK: 66" DIA X 7'-0" HEATING COIL: 1000 GPM @ 100° F TEMP RISE WITH 200° IN AND 180° OUT HEATING WATER
CIRCULATING PUMP	BLDG 'A' RM 104	5 GPM @ 5' HEAD 1/2 HP MOTOR (MIN)
WATER PRESSURE REDUCING VALVE	BLDG 'A' RM 104	125 GPM @ 10 PSI PRESSURE DIFFERENTIAL

SOAP TANK (ST) SCHEDULE

ST-1	1 GALLON
ST-2	2 1/2 "



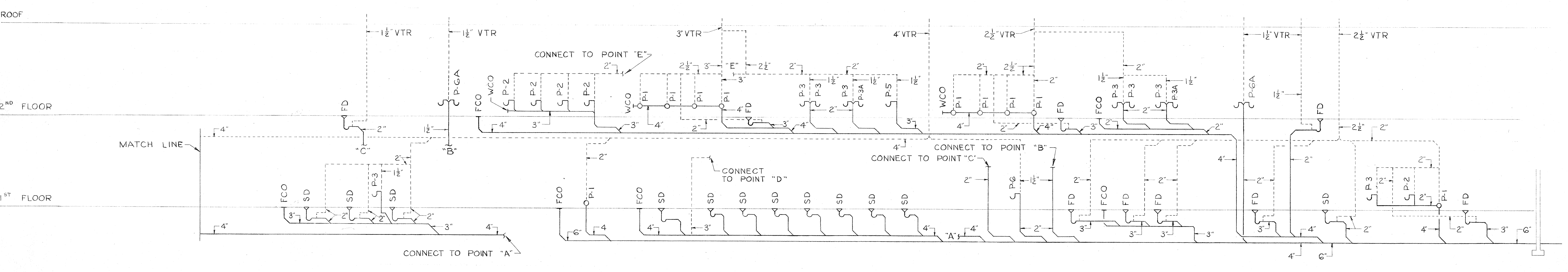


HOT & COLD WATER PIPING DIAGRAM

NO SCALE

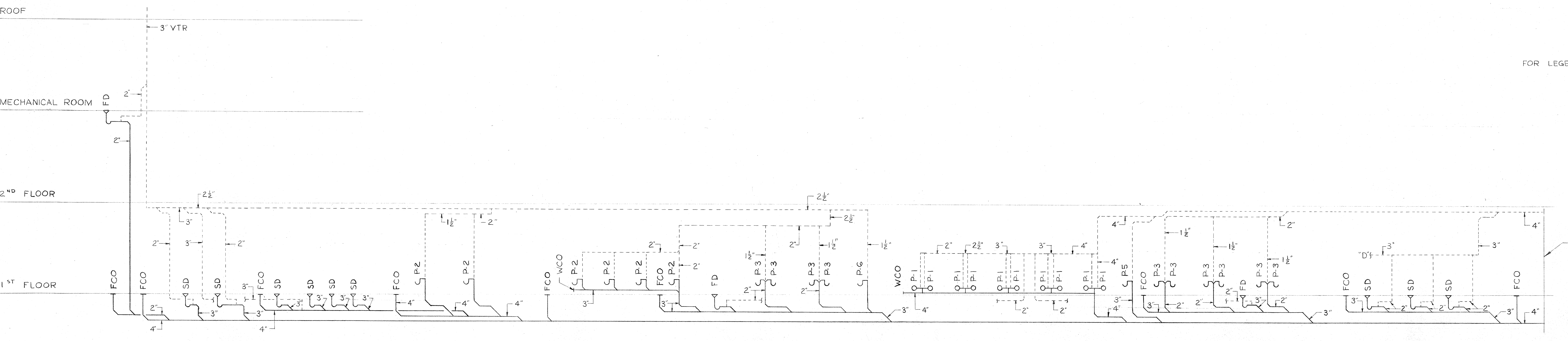
SHOWER FITTING WATER SUPPLY PIPE SIZING CHART

SUPPLY PIPE SIZE	MAX NUMBER OF SHOWER HEADS
3/4"	1
1"	3
1 1/2"	6
2"	25
2 1/2"	80



NOTE

FOR LEGEND, DETAILS ETC. SEE SHEET P-51



SOIL, WASTE & VENT PIPING DIAGRAM

NO SCALE

PLUMBING PIPING DIAGRAM

SCALE NONE DATE 2-20-67 JOB NO. 5490

JOHN A. BURDE & ASSOC. ENGINEERS
CIVIL & STRUCTURAL ENGINEERS
KEELER & GANNON
MECHANICAL & ELECTRICAL ENGINEERS
DOUGLAS BAYLIS
LANDSCAPE ARCHITECT
SAN FRANCISCO, CALIFORNIA

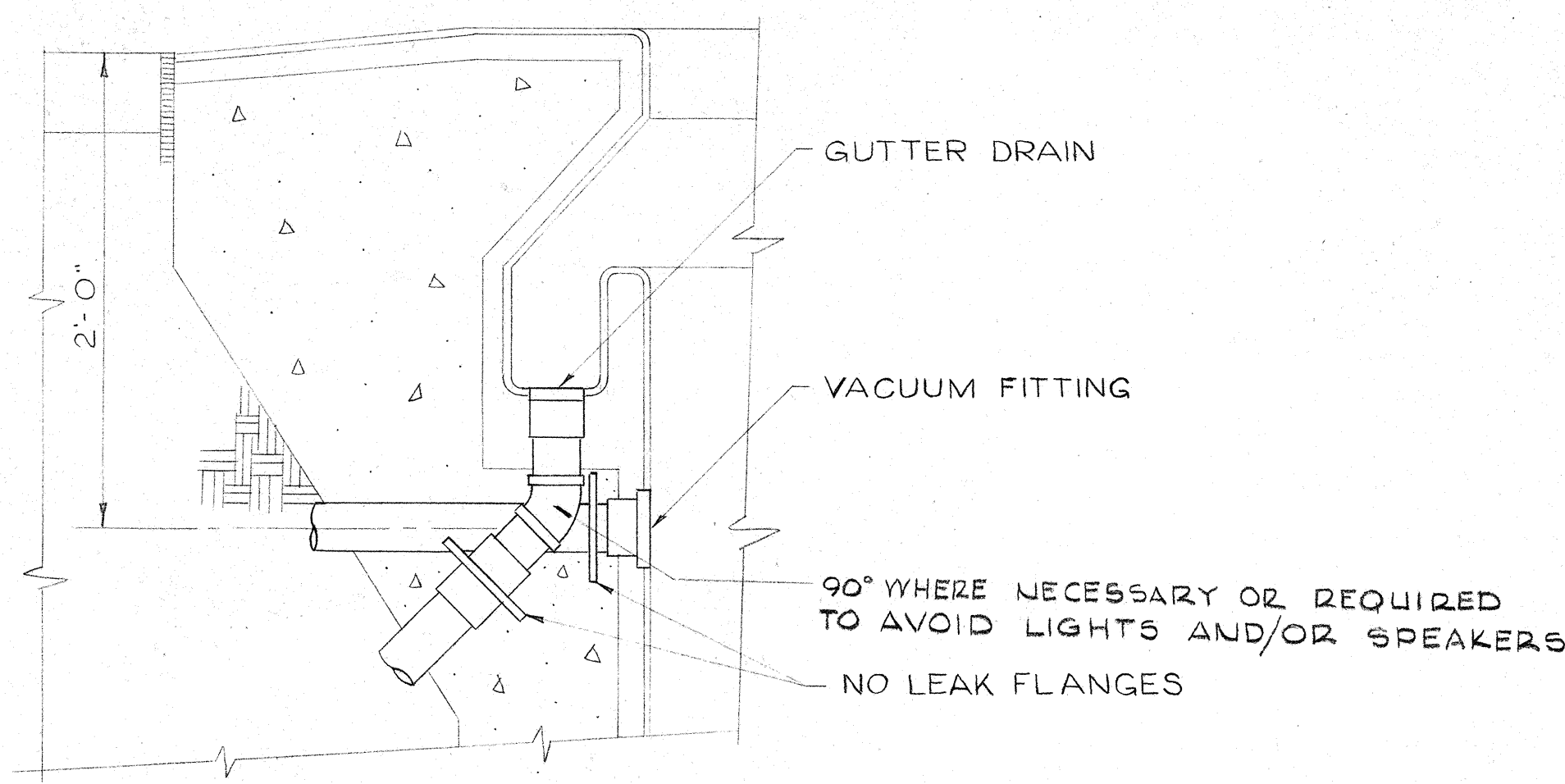
WELTON BECKET AND ASSOCIATES
CHAN / RADER AND ASSOCIATES

WELTON BECKET AND ASSOCIATES — CHAN/RADER AND ASSOCIATES
ARCHITECTS
153 MAIDEN LANE, SAN FRANCISCO, CALIFORNIA

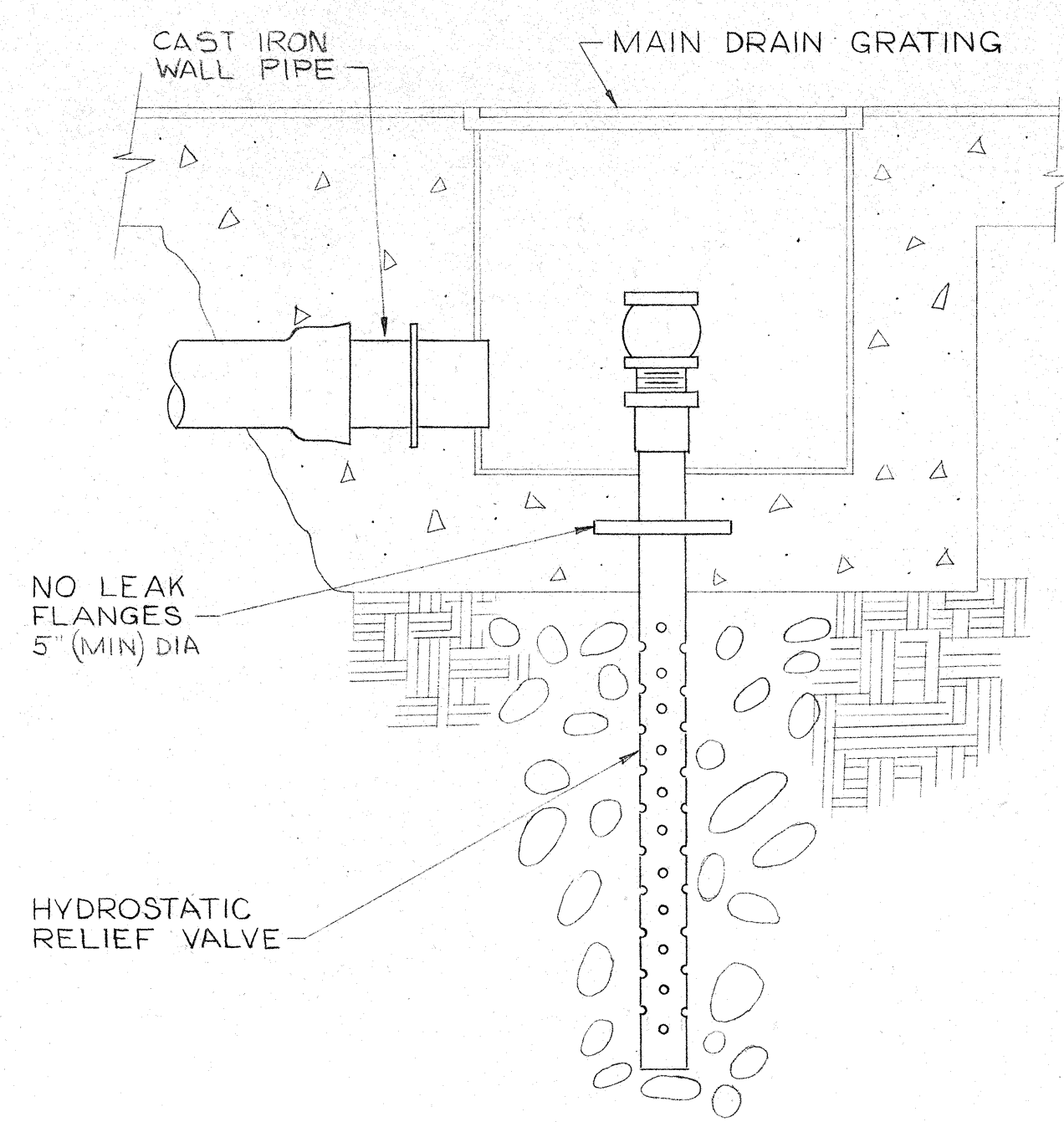
SAN MATEO JUNIOR COLLEGE DISTRICT
SOUTH CAMPUS
REDWOOD CITY, CALIFORNIA

MATEO V. JAVARRO
BUSINESS MANAGER
SAN MATEO JUNIOR COLLEGE DISTRICT

P-2
BLDG "A"



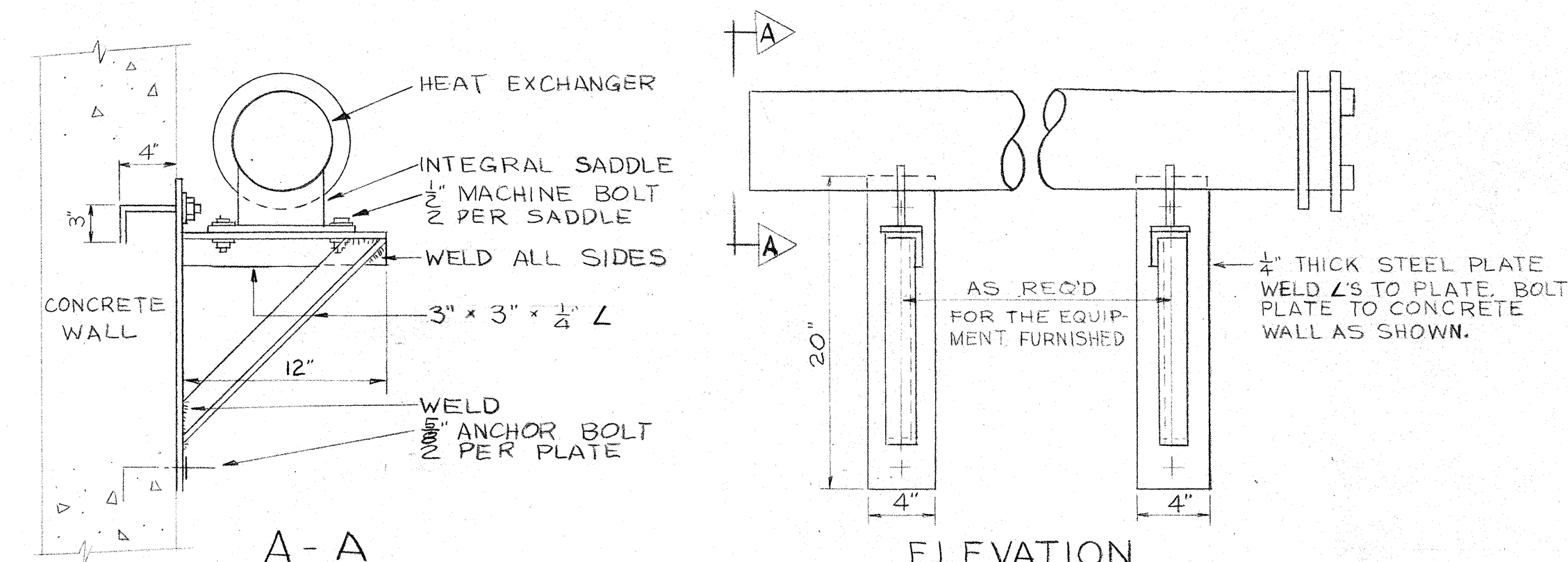
VACUUM FITTING & GUTTER DRAIN DETAIL (2)
NO SCALE



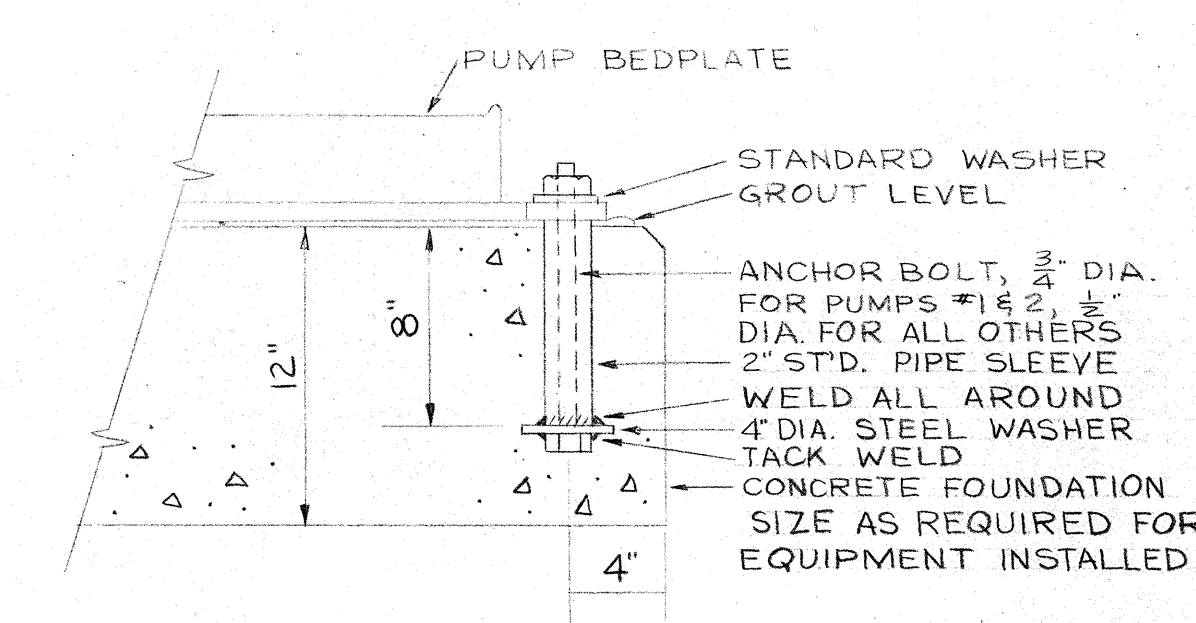
MAIN DRAIN DETAIL (TYP) (1)
NO SCALE

PUMP SCHEDULE						
ITEM	SERVICE	G.P.M.	HEAD FT.	MAX. R.P.M.	MIN. R.P.M.	NOTES
1	RECIRCULATING	1400	60	1760	30	
2	RECIRCULATING	1400	35	1150	25	
3	SLURRY BACKWASH	150	25	1800	2	
4	BOOSTER	20	110	3450	2	
5	VACUUM	140	20	3450	3	
6	SUMP PUMP	15	20	1800	1/2	
7	HEATING WATER CIRC.	120	20	1800	1/2	

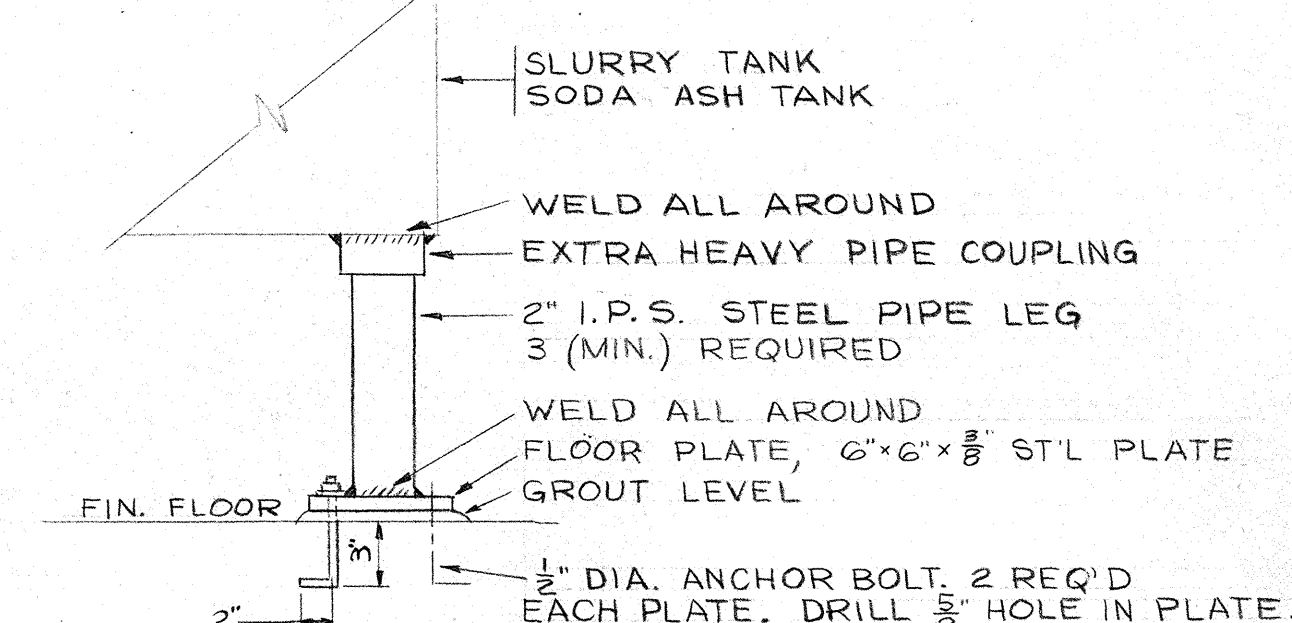
SEE SPECIFICATIONS FOR CHEMICAL & SLURRY FEED PUMP MOTORS AND AGITATORS



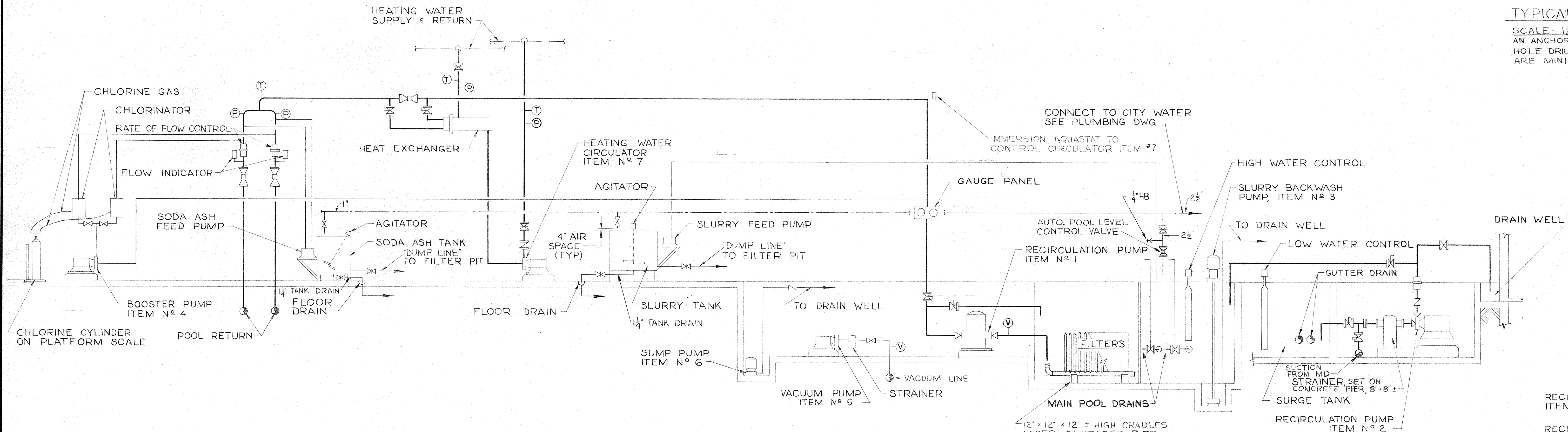
HEAT EXCHANGER SUPPORT DETAIL 1/2" = 1'-0"



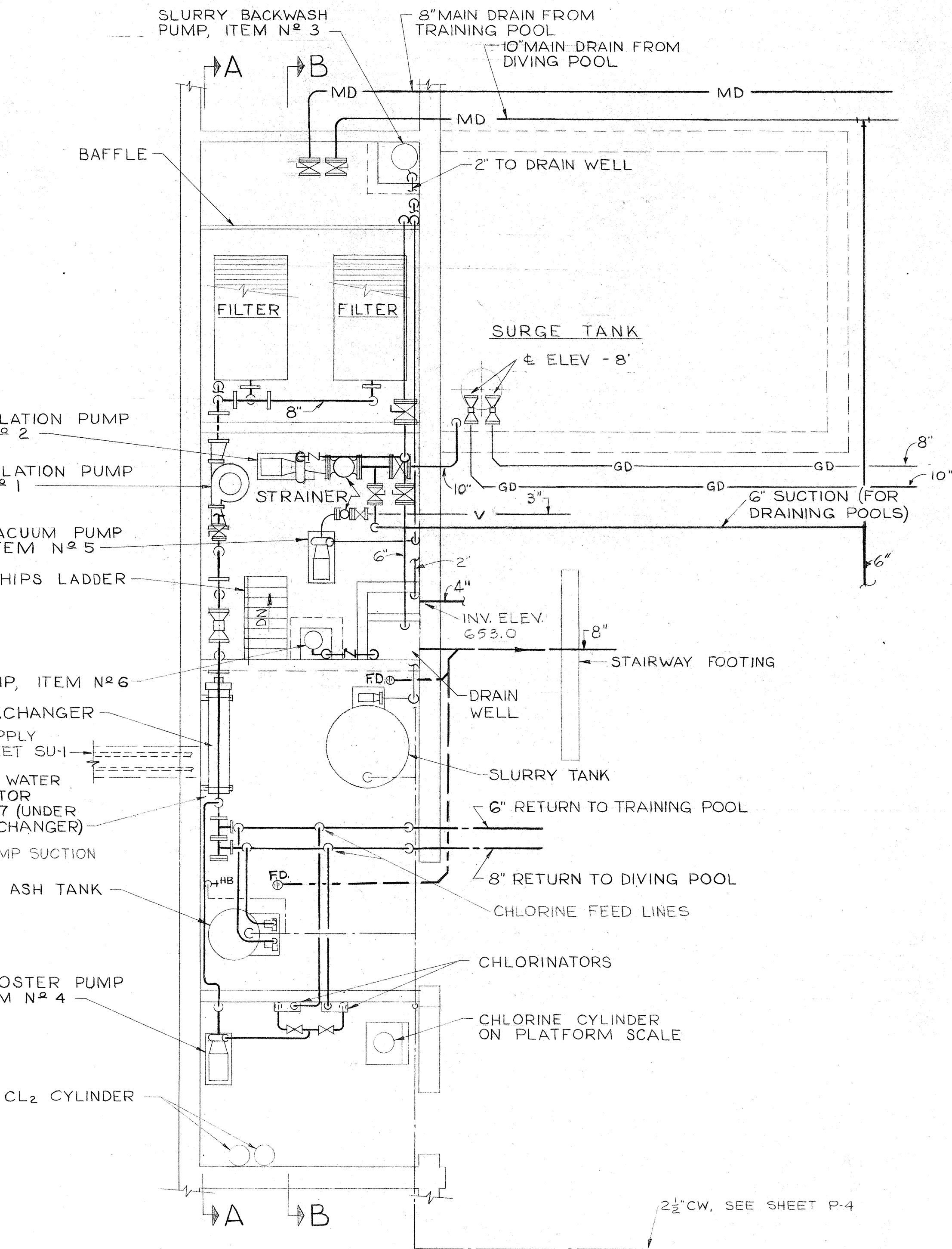
TYPICAL PUMP ANCHORING DETAIL
SCALE: 1/2" = 1'-0"
AN ANCHOR BOLT SHALL BE PROVIDED FOR EACH BOLT HOLE DRILLING IN PUMP BED PLATES. ALL DIMENSIONS ARE MINIMUM.



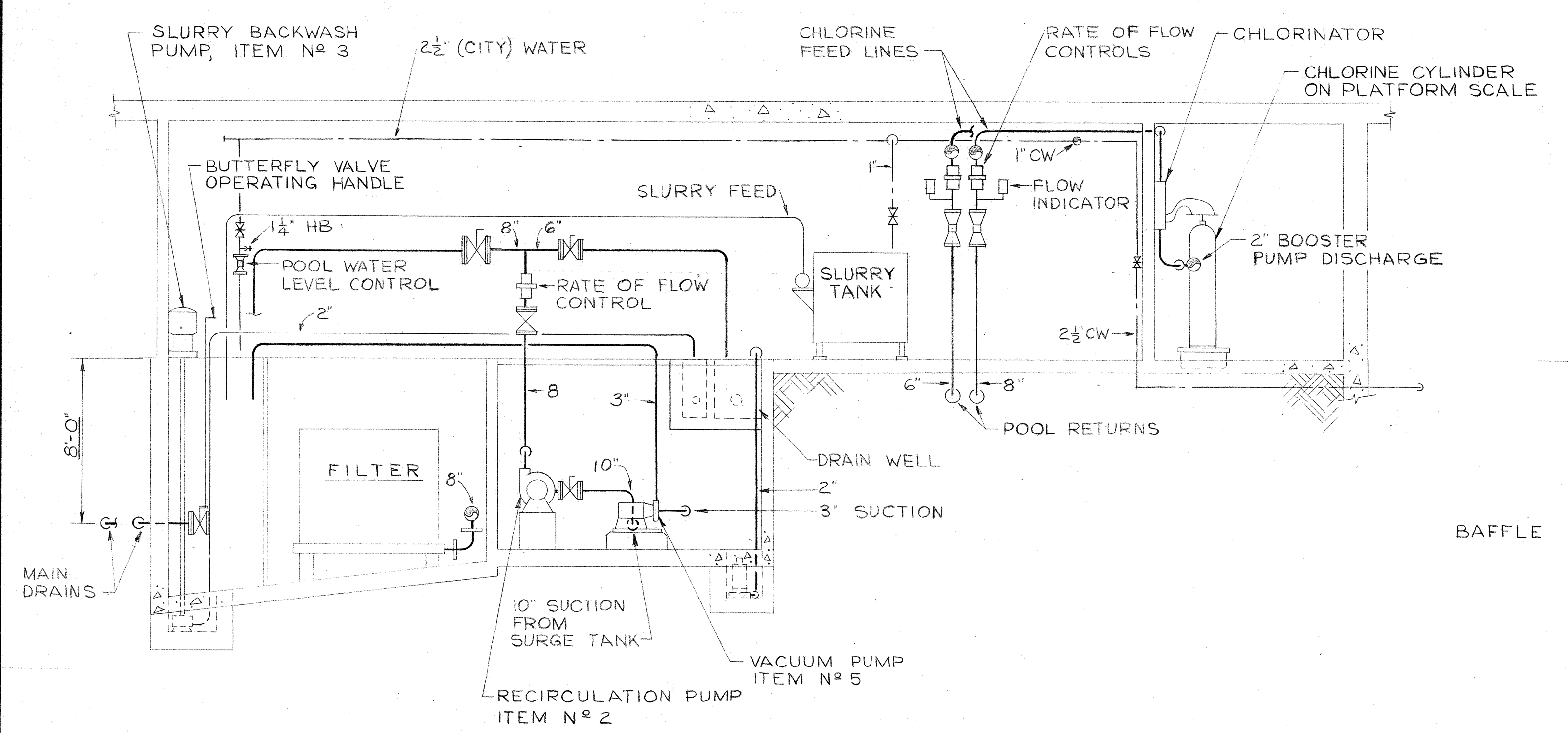
TYPICAL TANK ANCHORING DETAIL
NOT TO SCALE



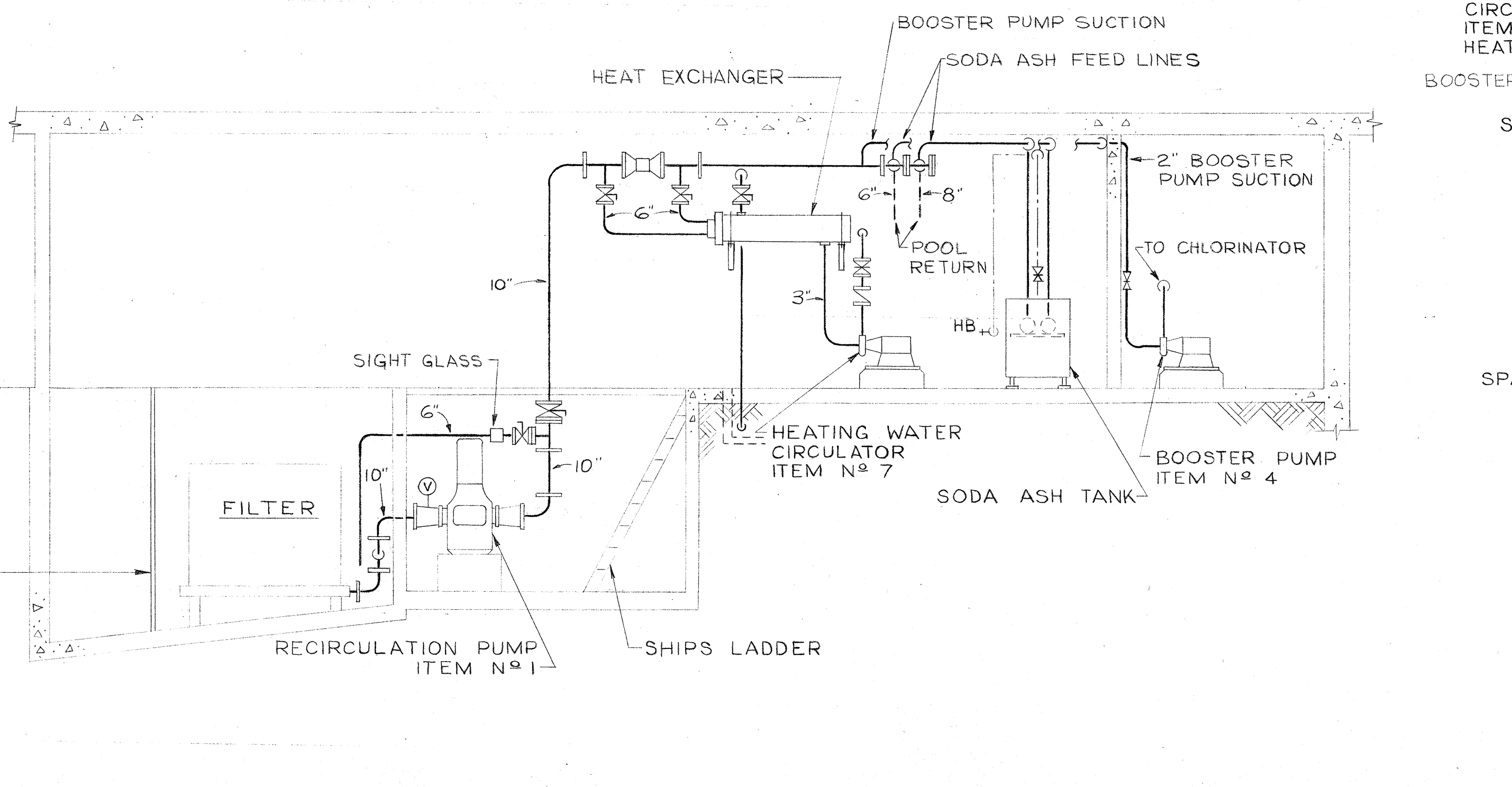
FLOW DIAGRAM
NO SCALE



POOL EQUIPMENT ROOM PLAN
SCALE: 1/4" = 1'-0"



SECTION B-B

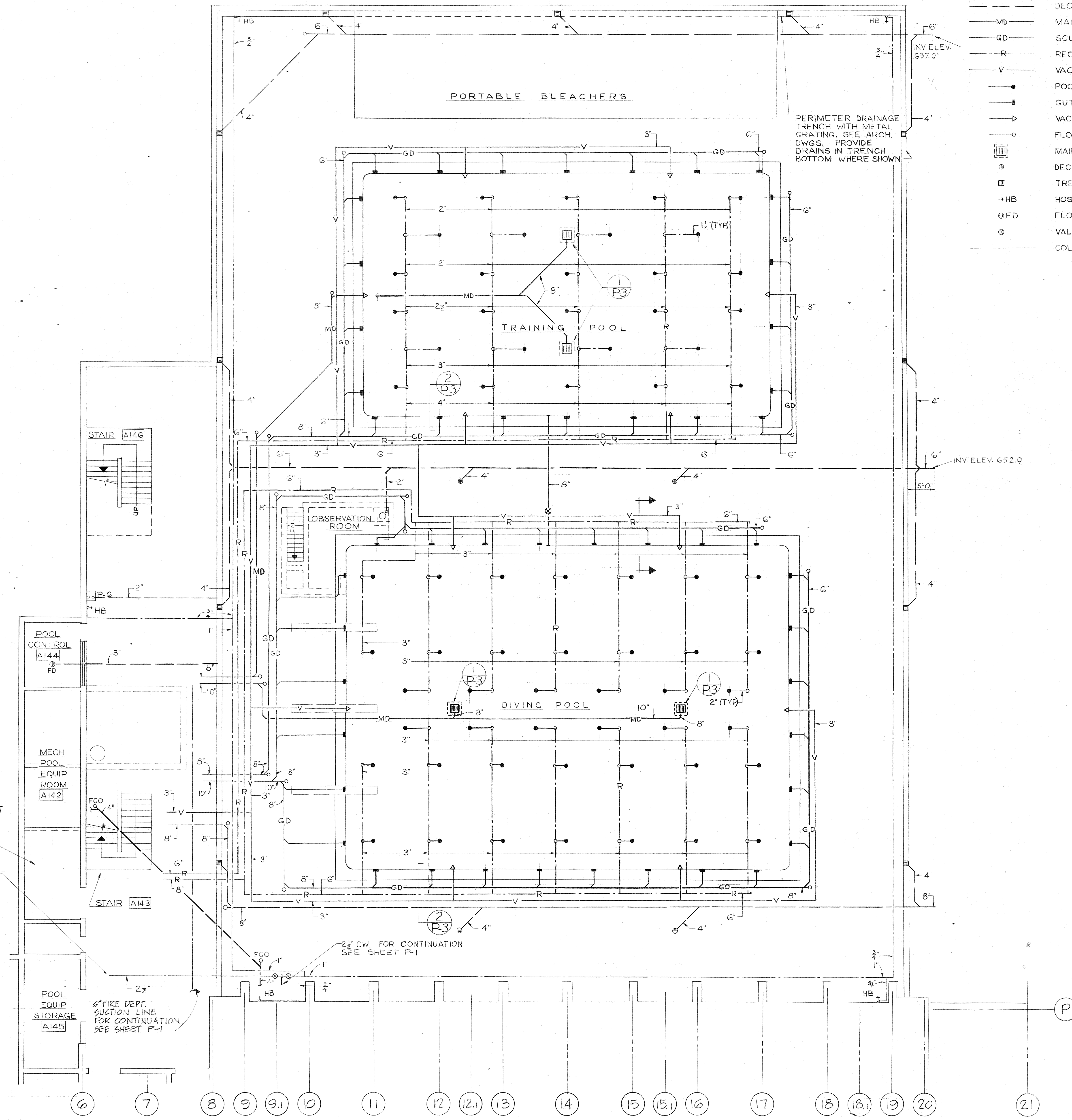


SECTION A-A

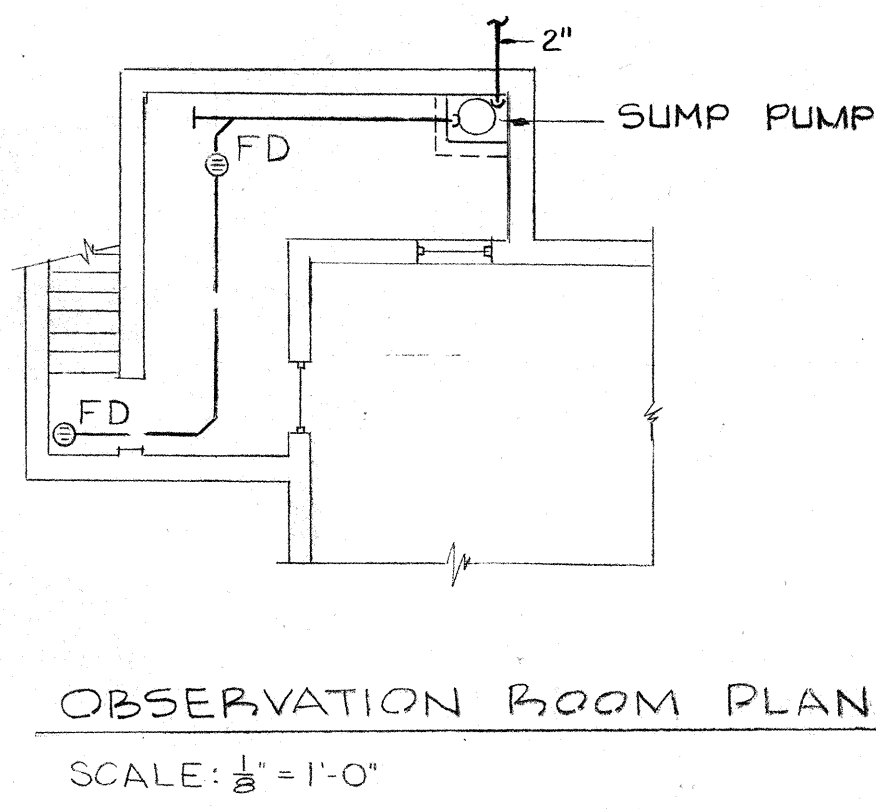
JOHN R. BURKE & ASSOC. ENGINEERS
 CIVIL & STRUCTURAL ENGINEERS
 WELTON BECKETT & ASSOCIATES
 MECHANICAL & ELECTRICAL ENGINEERS
 WELTON BECKETT & ASSOCIATES
 LANDSCAPE ARCHITECT
 SAN FRANCISCO, CALIFORNIA
 WELTON BECKETT & ASSOCIATES
 ARCHITECTS
 153 MAIDEN LANE, SAN FRANCISCO, CALIFORNIA
 SAN MATEO JUNIOR COLLEGE DISTRICT
 SOUTH CAMPUS
 REDWOOD CITY, CALIFORNIA
 WELTON BECKETT AND ASSOCIATES — CHAN/RAIDER AND ASSOCIATES
 ARCHITECTS
 153 MAIDEN LANE, SAN FRANCISCO, CALIFORNIA
 WELTON BECKETT & ASSOCIATES
 CIVIL & STRUCTURAL ENGINEERS
 WELTON BECKETT & ASSOCIATES
 MECHANICAL & ELECTRICAL ENGINEERS
 WELTON BECKETT & ASSOCIATES
 LANDSCAPE ARCHITECT
 SAN FRANCISCO, CALIFORNIA

SWIMMING POOL PIPING & FITTING LEGEND

- DECK & TRENCH DRAIN LINES
- MD MAIN DRAIN LINES
- GD SCUM GUTTER DRAIN LINES
- R RECIRCULATING LINES
- V VACUUM CLEANING LINES
- POOL INLET FITTINGS
- GUTTER DRAIN FITTINGS
- VACUUM FITTINGS
- FLOOR TYPE CLEANOUTS
- MAIN DRAINS
- DECK DRAINS
- TRENCH DRAINS
- +HB HOSE BIBB
- FD FLOOR DRAIN
- ⊗ VALVE IN VALVE BOX
- COLD (CITY) WATER



SWIMMING POOL PIPING PLAN
SCALE: 1/8" = 1'-0"

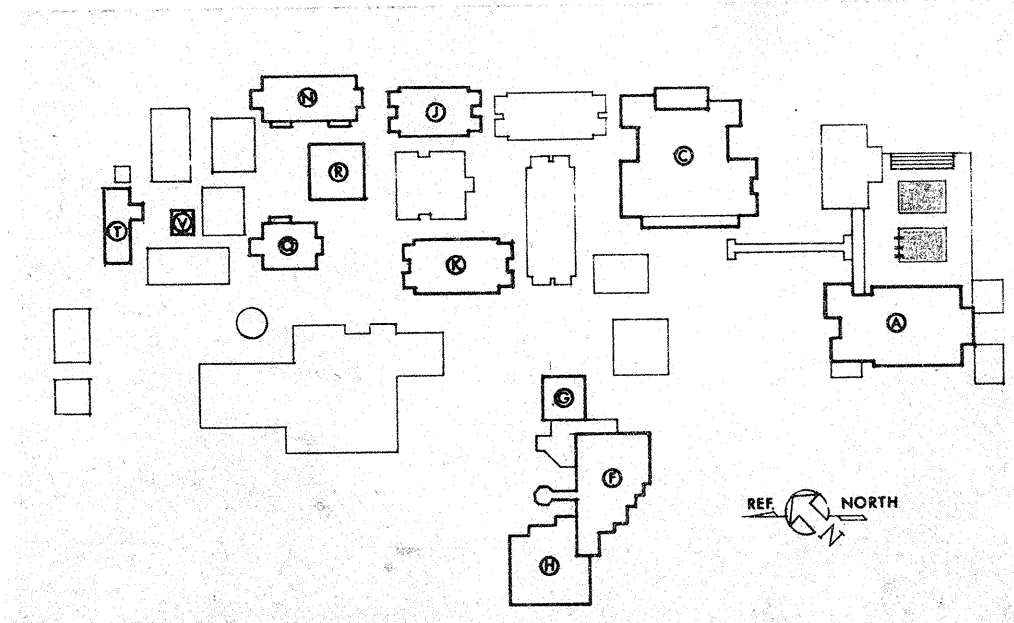


FOR POOL EQUIP ROOM PLANS, ETC SEE SHEET N° P-3.

2 1/2" CW TO POOL EQUIP ROOM, SEE SHEET P-3

6" FIRE DEPT. SUCTION LINE FOR CONTINUATION SEE SHEET P-1

2 1/2" CW FOR CONTINUATION SEE SHEET P-1



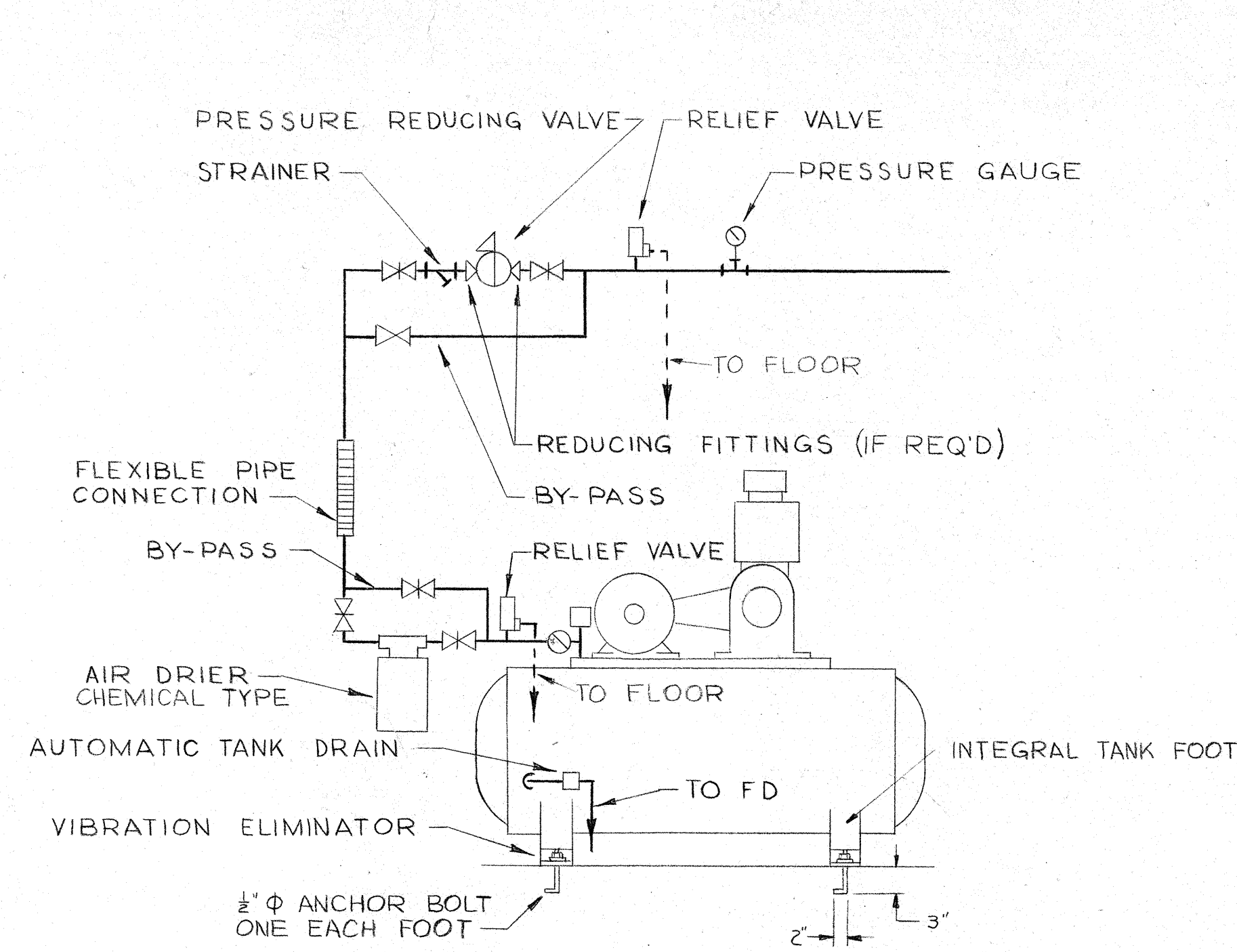
JOHN A. BLUME & ASSOC., ENGINEERS
 CIVIL & STRUCTURAL ENGINEERS
 KELLER & GANNON
 MECHANICAL & ELECTRICAL ENGINEERS
 DOUGLAS BAYLIS
 LANDSCAPE ARCHITECT
 SAN FRANCISCO, CALIFORNIA

WELTON BECKET AND ASSOCIATES — CHAN/RADER AND ASSOCIATES
 ARCHITECTS
 153 MAIDEN LANE, SAN FRANCISCO, CALIFORNIA

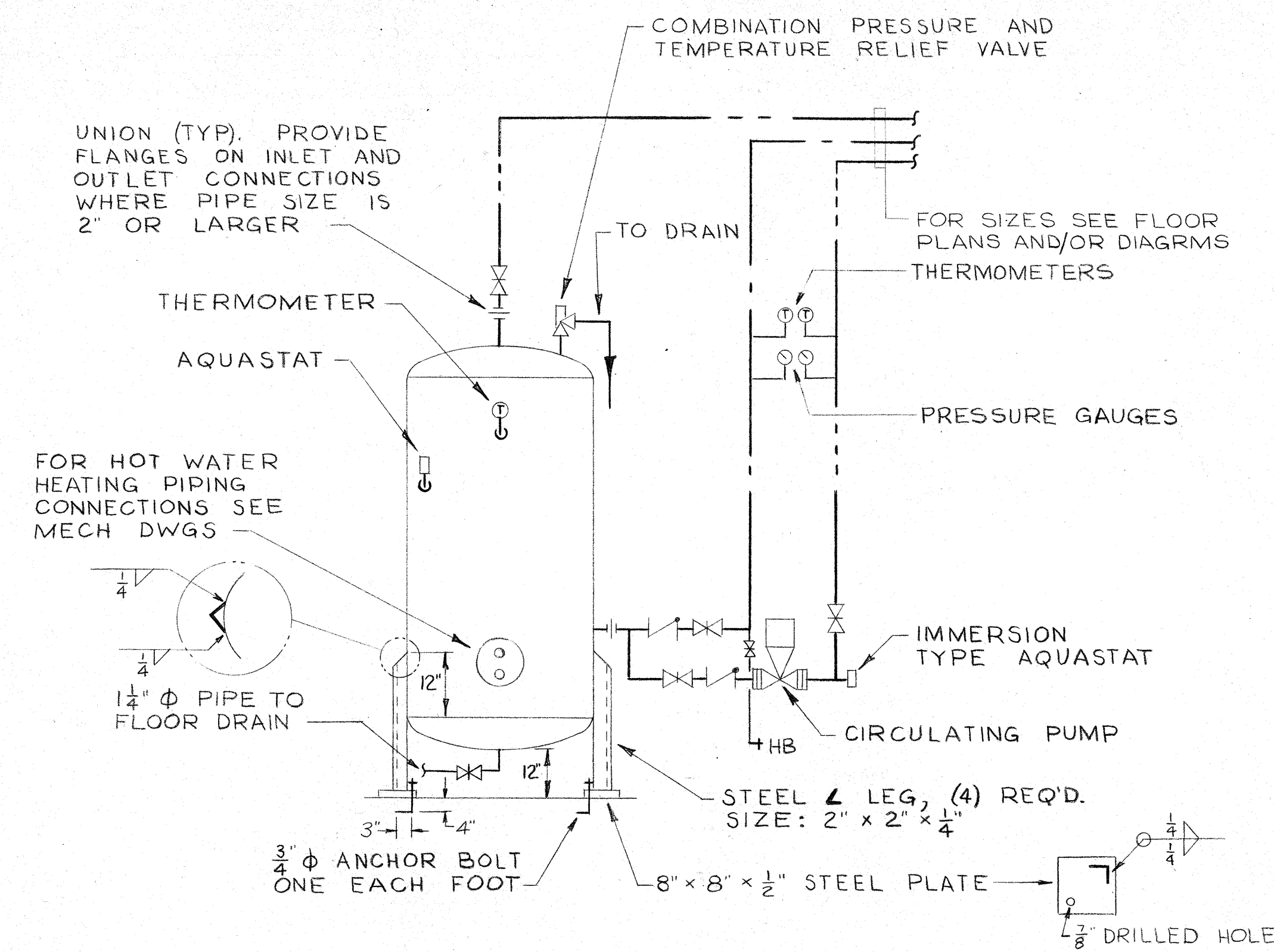
SAN MATEO JUNIOR COLLEGE DISTRICT
 SOUTH CAMPUS
 REDWOOD CITY, CALIFORNIA

WALTER V. PASARICO
 JUNIOR ENGINEER
 SAN MATEO JUNIOR COLLEGE DISTRICT

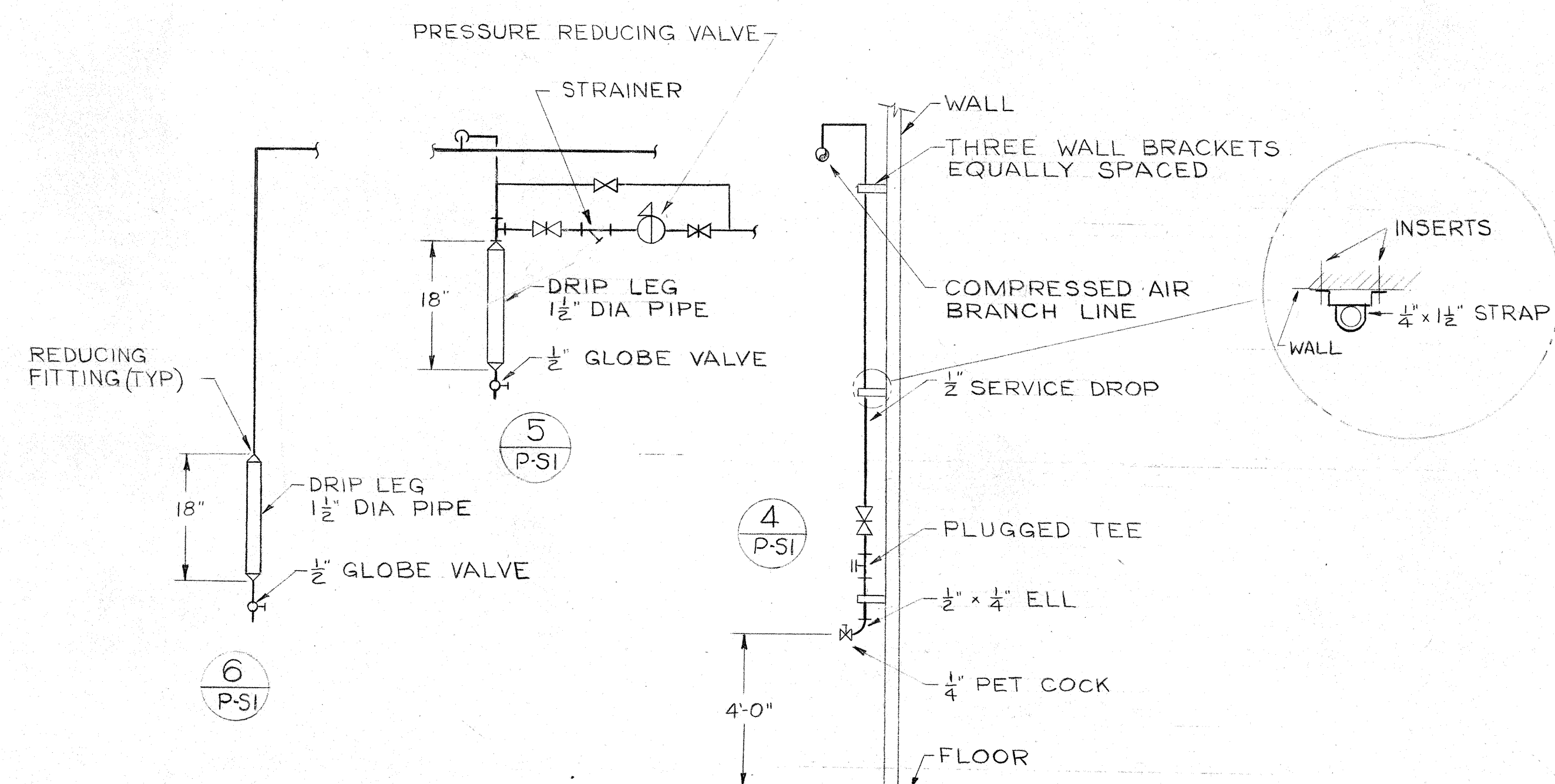
P-4
 BLDG. A



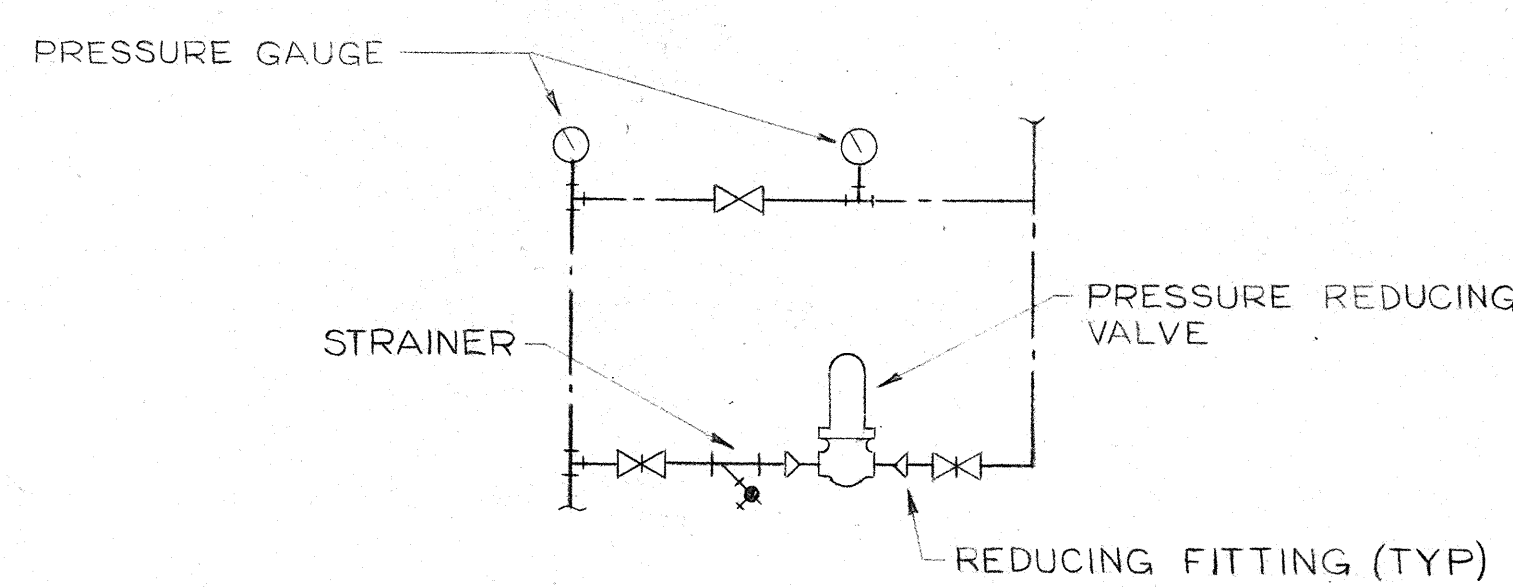
AIR COMPRESSOR PIPING DIAGRAM (3) P.S.I. NO SCALE



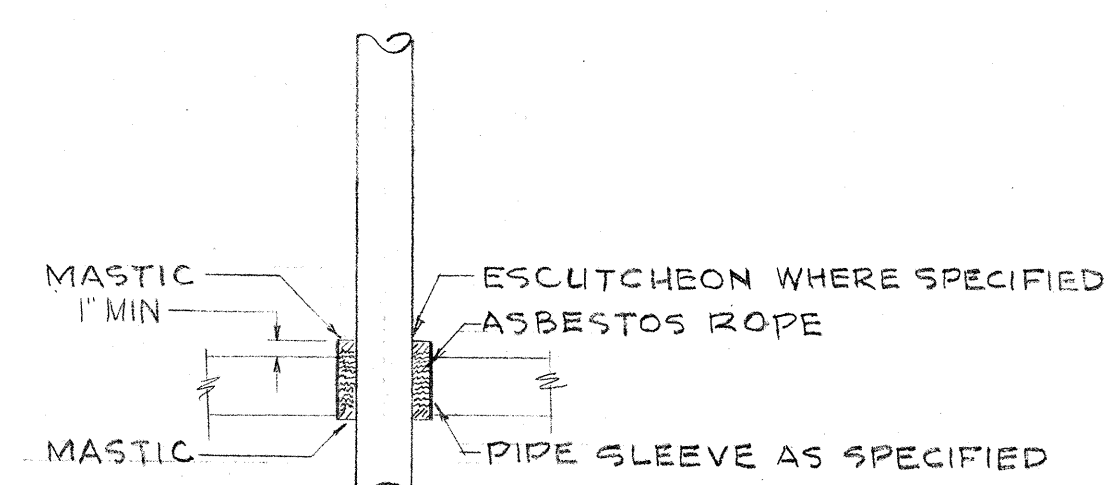
HOT WATER GENERATOR PIPING DETAIL (1) P.S.I. NO SCALE



COMPRESSED AIR PIPING DETAILS - DETAILS (4) P.S.I., (5) P.S.I., (6) P.S.I. NO SCALE



PRESSURE REDUCING STATION FOR DOMESTIC WATER SERVICE (2) P.S.I. NO SCALE



TYPICAL PIPE SLEEVE PACKING NO SCALE

PLUMBING LEGEND

---	SOIL OR WASTE ABOVE THE FLOOR	S OR W
---	SOIL OR WASTE BELOW THE FLOOR	S OR W
---	STORM DRAIN	SD
---	VENT PIPING	
---	COLD WATER	CW
---	HOT WATER	HW
---	HOT WATER CIRCULATING	HWC
---	TEMPERED WATER	TW
---	FIRE PROTECTION LINE	
---	GAS	
---	AIR	
---	SPRINKLER PIPING	
---	ACID VENT	
---	ACID WASTE	
---	PRESSURE REDUCING VALVE STATION	
---	VENT RISER - VENT THRU ROOF	
---	FLOOR CLEANOUT - WALL CLEANOUT	
---	CLEANOUT	
---	ROOF DRAIN	
---	FLOOR DRAIN - AREA DRAIN	
---	FLOOR SINK	
---	RAINWATER LEADER	
---	HOSE BIBB	
---	FIRE HOSE CABINET	
---	THERMOSTATIC MIXING VALVE	
---	DOWN	
---	ROUGH IN ONLY	
---	SHOWER DRAIN	
---	FROM	
---	TO SINK - CUP SINK	
---	GATE VALVE	
---	GLOBE VALVE	
---	CHECK VALVE	
---	UNION	
---	PLUGGED OUTLET AT FLOOR FOR FUTURE CONNECTION	
---	CAPPED OUTLET FOR FUTURE CONNECTION	
---	HOPPER DRAIN	
---	BALANCING COCK	
---	SPRINKLER HEAD	
---	0.5% Y. GATE VALVE	
---	ACID VENT THRU ROOF	
---	STRAINER WITH BLOW DOWN VALVE	

SHOCK ABSORBER SCHEDULE

N ^o	J.R. SMITH MFG. CO.	WADE MFG. CO.
1	5005	W-5
2	5010	W-10
3	5020	W-20
4	5030	W-50
5	5040	W-75

PLUMBING FIXTURE CONNECTION SCHEDULE

SYMBOL	FIXTURE	SOIL, WASTE	VENT	WATER	
				HW	CW
P-1	WATER CLOSET	4"	2"	1"	1"
P-2	URINAL	2"	1 1/2"	3/4"	3/4"
P-3	LAVATORY	1 1/2"	1 1/2"	1/2"	1/2"
P-4	SINK	2"	1 1/2"	1/2"	1/2"
P-5	SERVICE SINK	3"	1 1/2"	1/2"	1/2"
P-6	DRINKING FOUNTAIN	1 1/2"	1 1/2"	1/2"	1/2"
P-7	SHOWER	2"	2"	1/2"	1/2"
P-8	KITCHEN UNIT	1 1/2"	1 1/2"	1/2"	1/2"
P-9	WASH FOUNTAIN	2"	1 1/2"	1/2"	1/2"
P-10	WASH MACH. FITTING	2"	1 1/2"	1/2"	1/2"
P-11	ACID SINK	2"	1 1/2"	1/2"	1/2"
P-12	WHIRLPOOL BATH	(TO F.D.)	1 1/2"	1/2"	1/2"
P-13	CEMENT LAUNDRY TRAY	2"	1 1/2"	1/2"	1/2"

GENERAL NOTES

- DISREGARD DETAILS OR INSTALLATIONS AND/OR EQUIPMENT WHICH DO NOT APPEAR ON FLOOR PLANS.
- WATER PIPING FOR BATTERIES OF FIXTURES, EXCEPT WHERE DIAGRAMMED, IS SIZED ON THE DRAWING ONLY AT THE DROP OR RISER. THIS SIZE SHALL BE MAINTAINED TO THE LAST FIXTURE TAKE-OFF IN THE FORM OF A HEADER.

JOHN A. BURME & ASSOC., ENGINEERS
CIVIL & ELECTRICAL ENGINEERS
MECHANICAL & ELECTRICAL ENGINEERS
DOUGLAS BAYLIS
LANDSCAPE ARCHITECT
SAN FRANCISCO, CALIFORNIA

WELTON BECKET AND ASSOCIATES — CHAN/RADER AND ASSOCIATES
ARCHITECTS
153 MAIDEN LANE, SAN FRANCISCO, CALIFORNIA

SAN MATEO JUNIOR COLLEGE DISTRICT
SOUTH CAMPUS
REDWOOD CITY, CALIFORNIA

PLUMBING LEGEND & DETAILS
DATE 2-20-67
JOB NO. ALL BLDGS

PLUMBING LEGEND & DETAILS

SCALE AS SHOWN DATE 2-20-67 JOB NO. ALL BLDGS

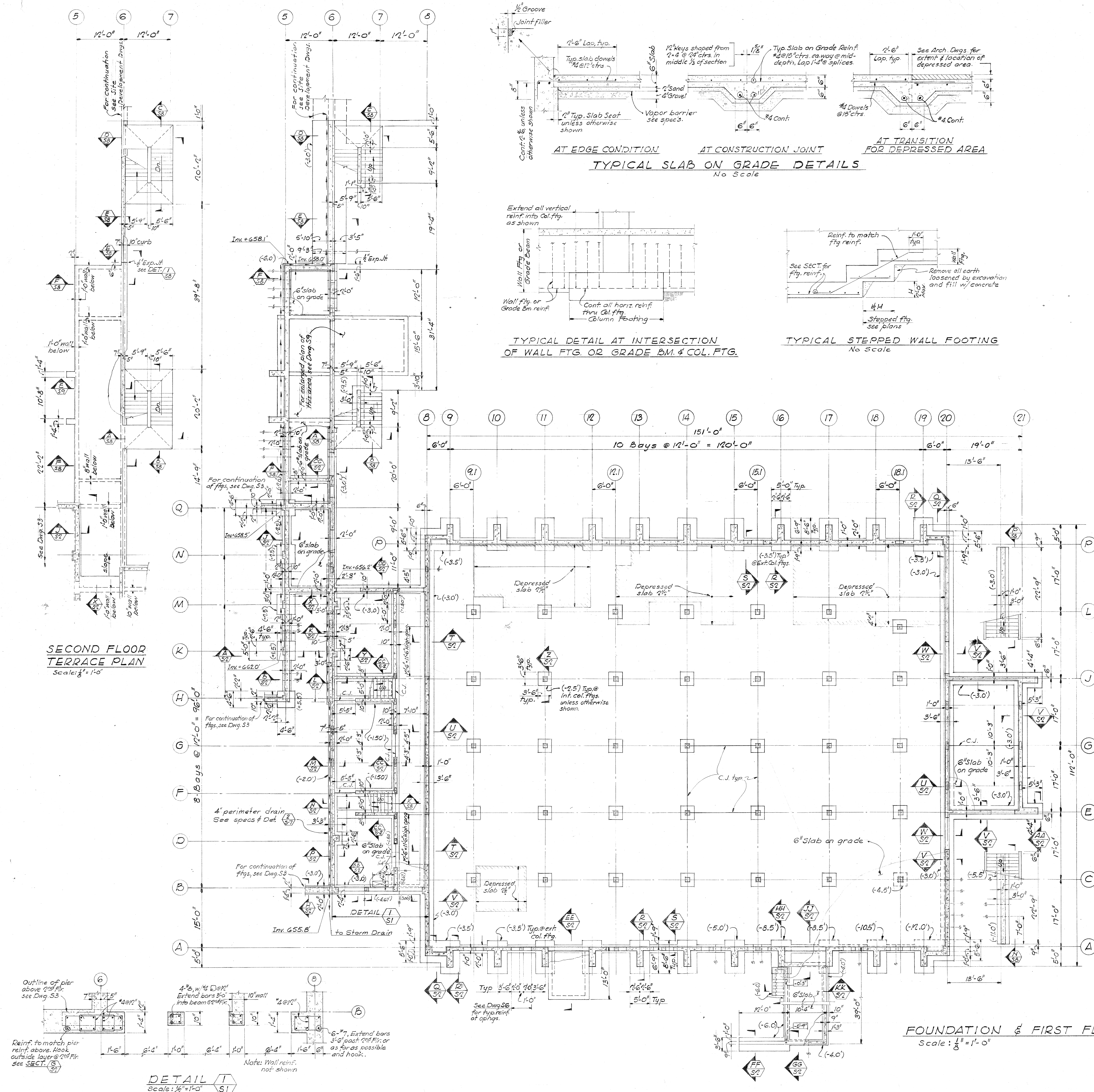
P-51

GENERAL NOTES

- A. **DATUM**
Redwood City Vertical Datum & as shown on plans.
- B. **DESIGN CRITERIA**
Design is in accordance with the State of California Administrative Code Title 24, Chapter 21, 1963 Edition
2. **Live Loads**
- | | |
|--|---------|
| Roofs | 20 psf |
| Gymnasium | 100 psf |
| Corridors, Lobbies & Stairs | 100 psf |
| Offices | 50 psf |
| Rest Rooms | 50 psf |
| Stage & Storage Rooms | 150 psf |
| Terrace (framed) | 100 psf |
| Mechanical Rooms - Actual Equipment Loading or 150psf/min. | |
- C. **FOUNDATIONS**
- All foundations, except footing under the loading dock, shall extend at least 6" into fractured and/or partially weathered basalt described in "Site Investigation, College of San Mateo, Proposed South Campus, Woodside, California," prepared by Harding Associates, Soil Mechanics Engineers, March 3, 1965
 - Elevation of foundations shown on plans give minimum depth.
 - Allowable Soil Bearing Pressure
- | | DL + LL | DL + LL + Windor E.Q. |
|----------------------|-----------|-----------------------|
| Spread Footings | 8,000 psf | 10,700 psf |
| At Loading Dock only | 2,000 psf | 2,670 psf |
- D. **CONCRETE**
- All concrete, unless otherwise noted, shall be regular weight concrete with a minimum compressive strength of 3,000psi at the age of 28 days.
 - Light weight concrete shall have a minimum compressive strength of 3,000psi at the age of 28 days. Maximum air dry weight of 120 pounds per cubic foot. Light weight concrete is used in the Multi-purpose Room roof framing only. See Dwg. 54 & 57
- E. **REINFORCEMENT**
- All reinforcing steel, unless otherwise noted, shall be intermediate deformed bars conforming to ASTM A-15 and A-305.
 - Splices, unless otherwise noted, shall have a minimum lap of 32 diameters.
 - Welded wire fabric shall conform to ASTM A-185. Splices to lap 1'-0" minimum.
- F. **STRUCTURAL STEEL**
- All structural steel shall conform to the latest ASTM Specification Designation A-36
 - Fabrication and erection of all structural steel shall be in accordance with the 1952 AISC Specifications.
- G. **WELDING**
- Welding shall be in accordance with the 1946 edition of the AWS Code for Welding in Building Construction
 - All welds shall be made with low hydrogen electrodes.
- H. **CONSTRUCTION JOINTS**
- Location of all construction joints to be submitted to the engineer for approval.
 - Construction joints shall be thoroughly cleaned by sandblasting. See Specs.
- I. **REFERENCE TO OTHER DRAWINGS**
- For chamfers, returns, scorelines, reveals, etc., not shown on Structural Drawings, see Architectural Drawings.
 - For location and extent of all depressed areas, see Architectural Drawings.
 - For location and size of openings in walls and slabs for ducts, conduits, piping, etc., not shown on Structural Drawings, see Mechanical, Electrical and Plumbing drawings. General Contractor to verify and coordinate all openings.

NOTES

- Finish Floor Floor Elevation = +656.00'
- Bottom of footing elevation is shown thus: (-3.5'), etc. and is referred to Fin. 1st Floor
- Stepped footing is shown thus: -
- Top of Loading Dock slab elevation is shown thus: (-0.3'), etc. and is referred to Fin. 1st Floor
- For Typical Concrete Wall details, see Dwg. 56
- Terminate all horizontal rebar in wall footings similar to horiz. wall rebar as shown on Dwg. 56
- Bar Cages are shown thus: see Dwg. 57 for details
- For backfill and construction sequence of building walls, see Specs.
- Invert elevations of 4' perimeter drain are shown thus: Inv. +655.8', etc.
- C.J. - Construction joint. See specs. for add'l. requirements



SECOND FLOOR TERRACE PLAN
Scale: 1/8" = 1'-0"

TYPICAL SLAB ON GRADE DETAILS
No Scale

TYPICAL DETAIL AT INTERSECTION OF WALL FTG. OR GRADE BM. & COL. FTG.

TYPICAL STEPPED WALL FOOTING
No Scale

FOUNDATION & FIRST FLOOR PLAN
Scale: 1/8" = 1'-0"

DETAIL T
Scale: 1/4" = 1'-0"

FOUNDATION & 1ST FLR. PLAN

SCALE As Noted DATE 2-20-67 JOB NO. 5490

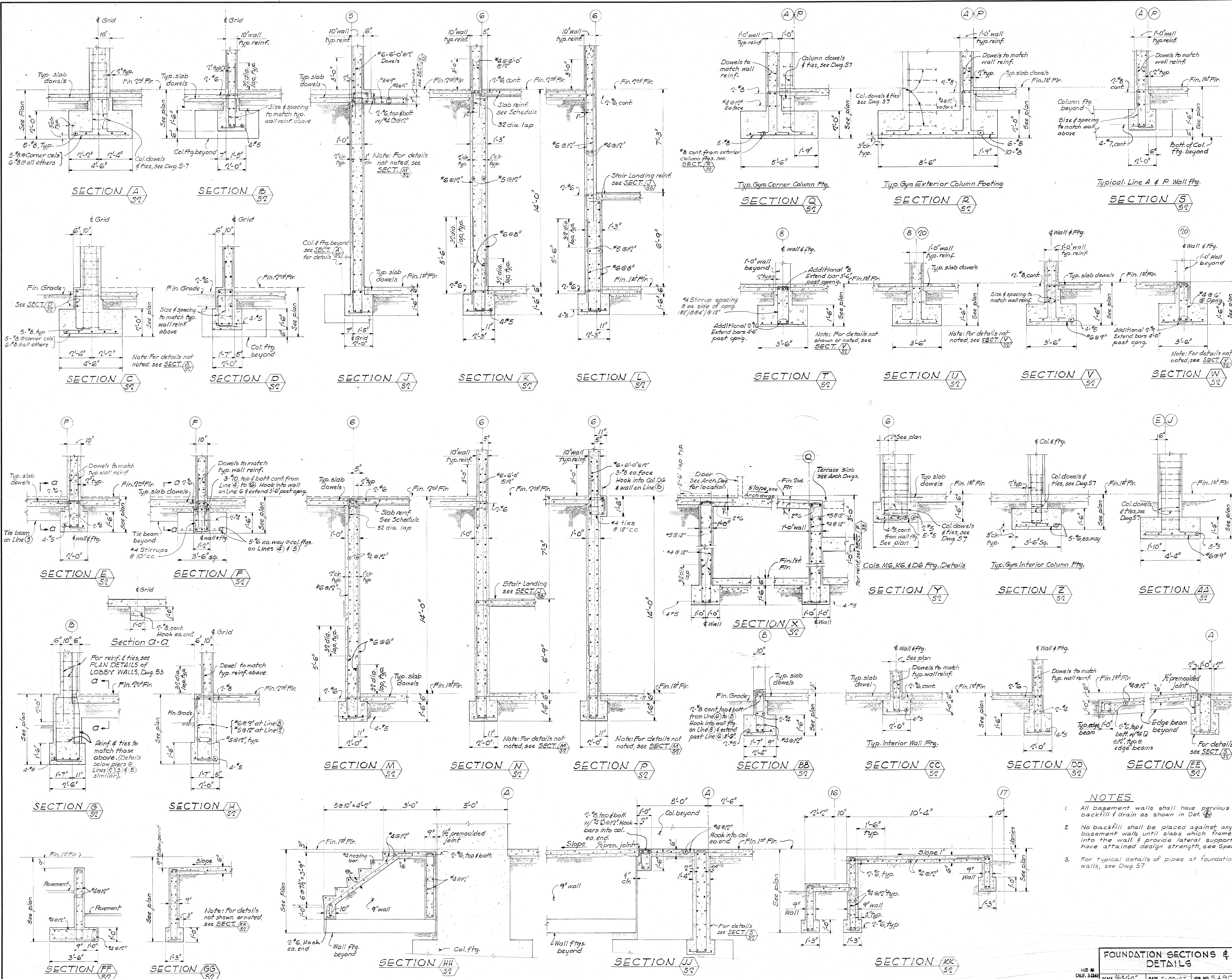
JOHN A. BLUME & ASSOC., ENGINEERS
CIVIL & STRUCTURAL ENGINEERS
FELER & GANNON
MECHANICAL ENGINEERS
LANDSCAPE ARCHITECT
SAN FRANCISCO, CALIFORNIA

WELTON BECKETT AND ASSOCIATES - CHAN/RADER AND ASSOCIATES
ARCHITECTS
153 MAIDEN LANE, SAN FRANCISCO, CALIFORNIA

SAN MATEO JUNIOR COLLEGE DISTRICT
SOUTH CAMPUS
REDWOOD CITY, CALIFORNIA

PROJECT MANAGER
SUPERINTENDENT
SAN MATEO JUNIOR COLLEGE DISTRICT

51 BLDG. "A"



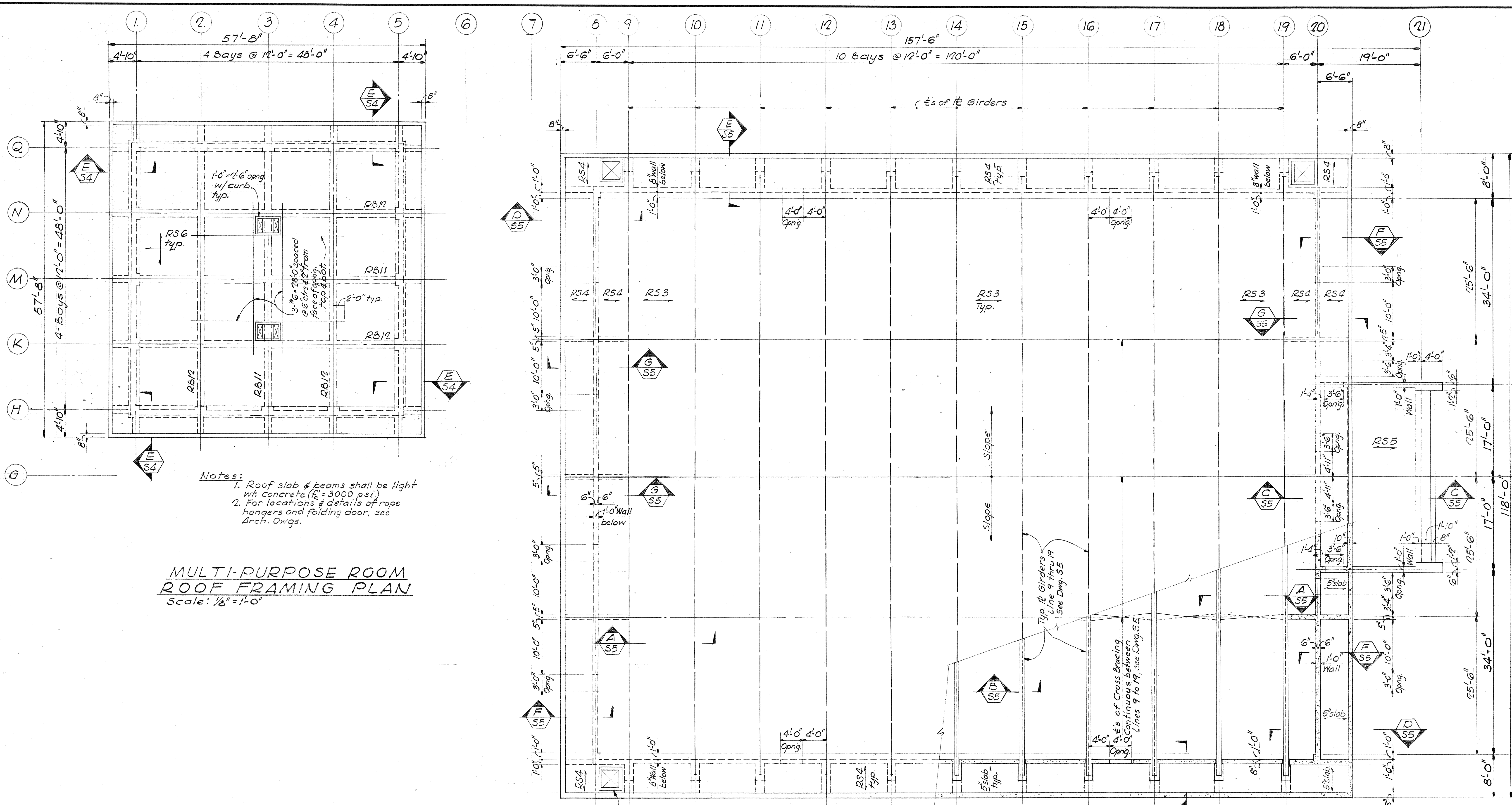
- NOTES**
1. All basement walls shall have pervious backfill & drain as shown in Det. S2.
 2. No backfill shall be placed against any basement walls until slabs which frame into the wall & provide lateral support have attained design strength, see Specs.
 3. For typical details of pipes at foundation walls, see Dwg. S7.

FOUNDATION SECTIONS & DETAILS
 S2

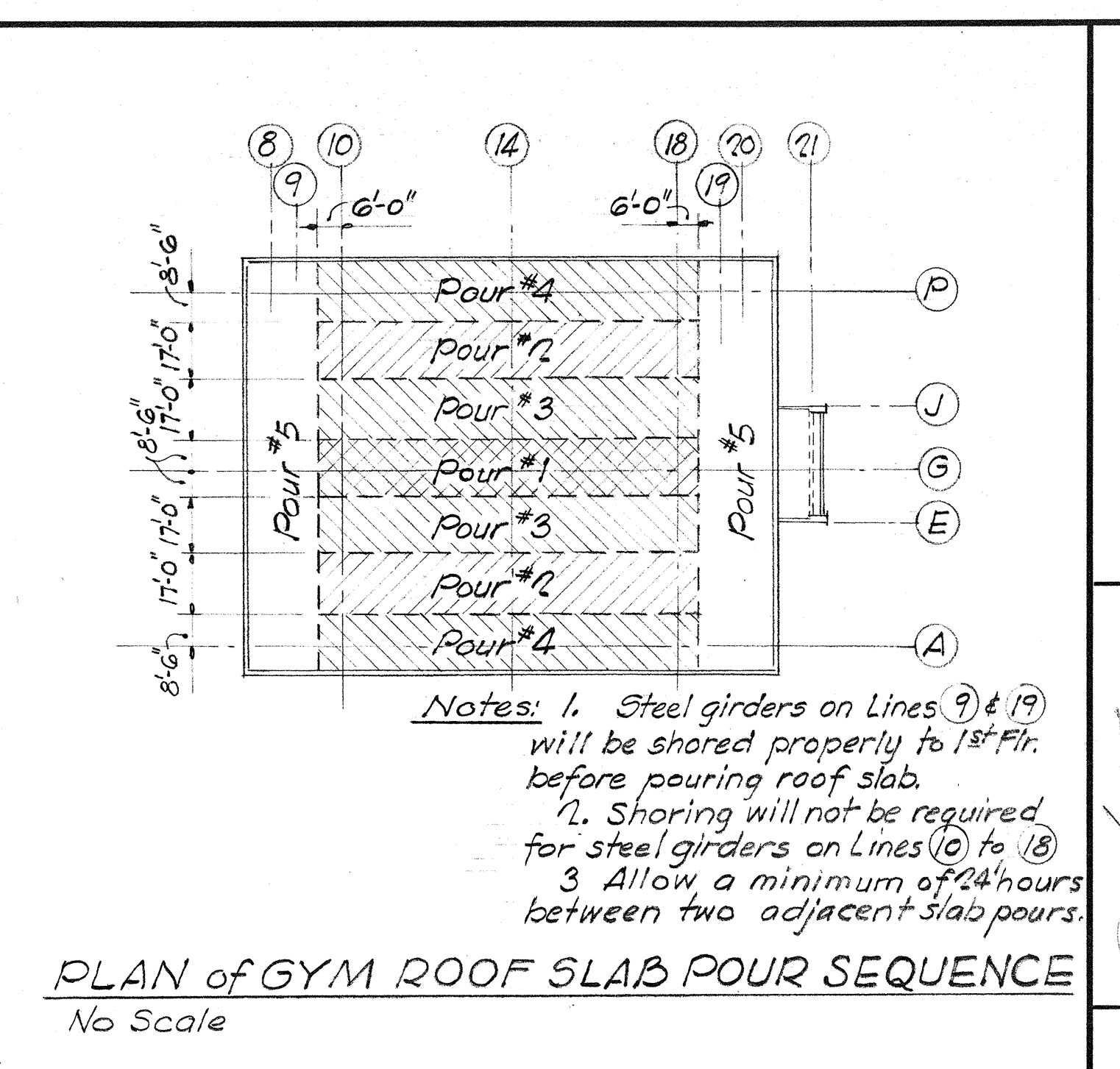
JOHN A. BEUNE & ASSOC. ENGINEERS
 CIVIL & STRUCTURAL ENGINEERS
 KELLER & GANNON
 MECHANICAL & ELECTRICAL ENGINEERS
 DOUGLAS BAYLES
 LANDSCAPE ARCHITECT
 SAN FRANCISCO, CALIFORNIA

WELTON BECKET AND ASSOCIATES — CHAN/RADER AND ASSOCIATES
 ARCHITECTS
 153 MAIDEN LANE, SAN FRANCISCO, CALIFORNIA
 REDWOOD CITY, CALIFORNIA

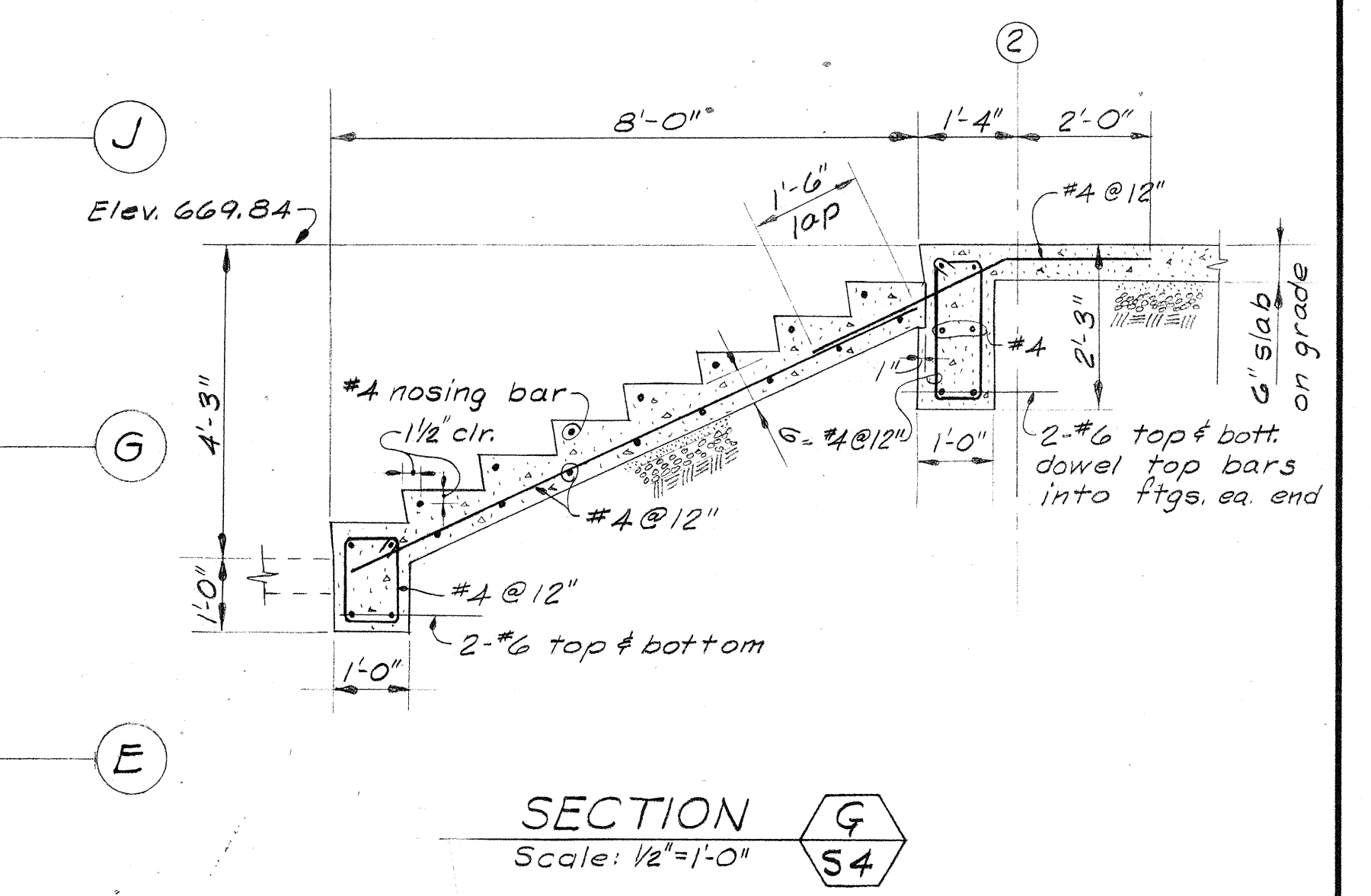
SAN MATEO JUNIOR COLLEGE DISTRICT
SOUTH CAMPUS
 FOUNDATION SECTIONS & DETAILS
 S2



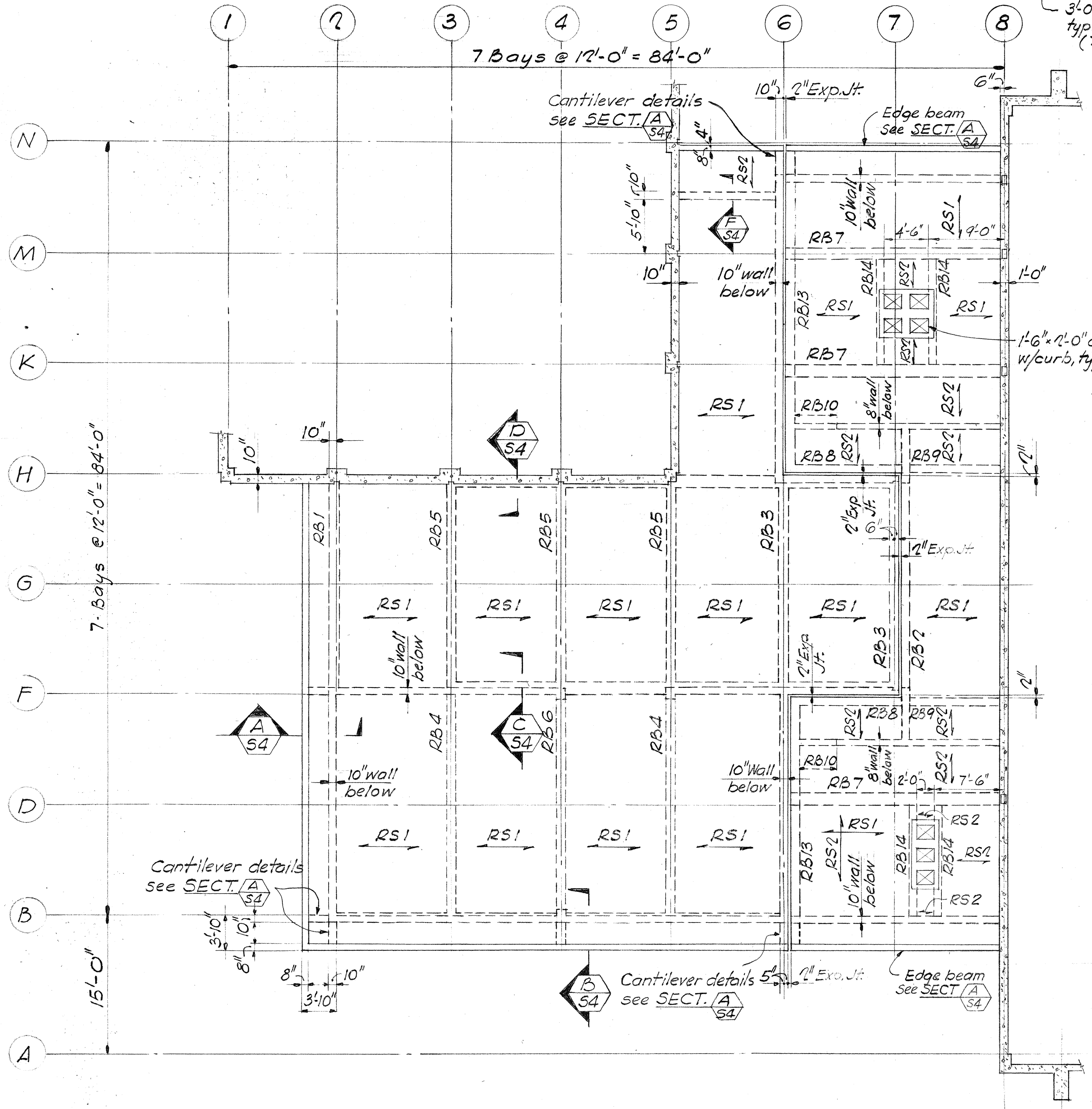
**MULTI-PURPOSE ROOM
ROOF FRAMING PLAN**
Scale: 1/8"=1'-0"



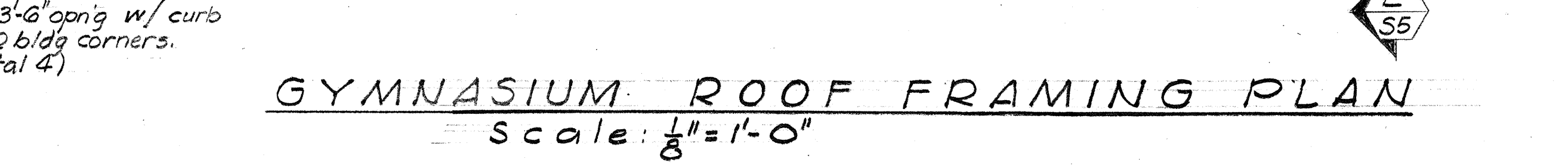
PLAN of GYM ROOF SLAB POUR SEQUENCE
No Scale



SECTION G-G
Scale: 1/2"=1'-0"

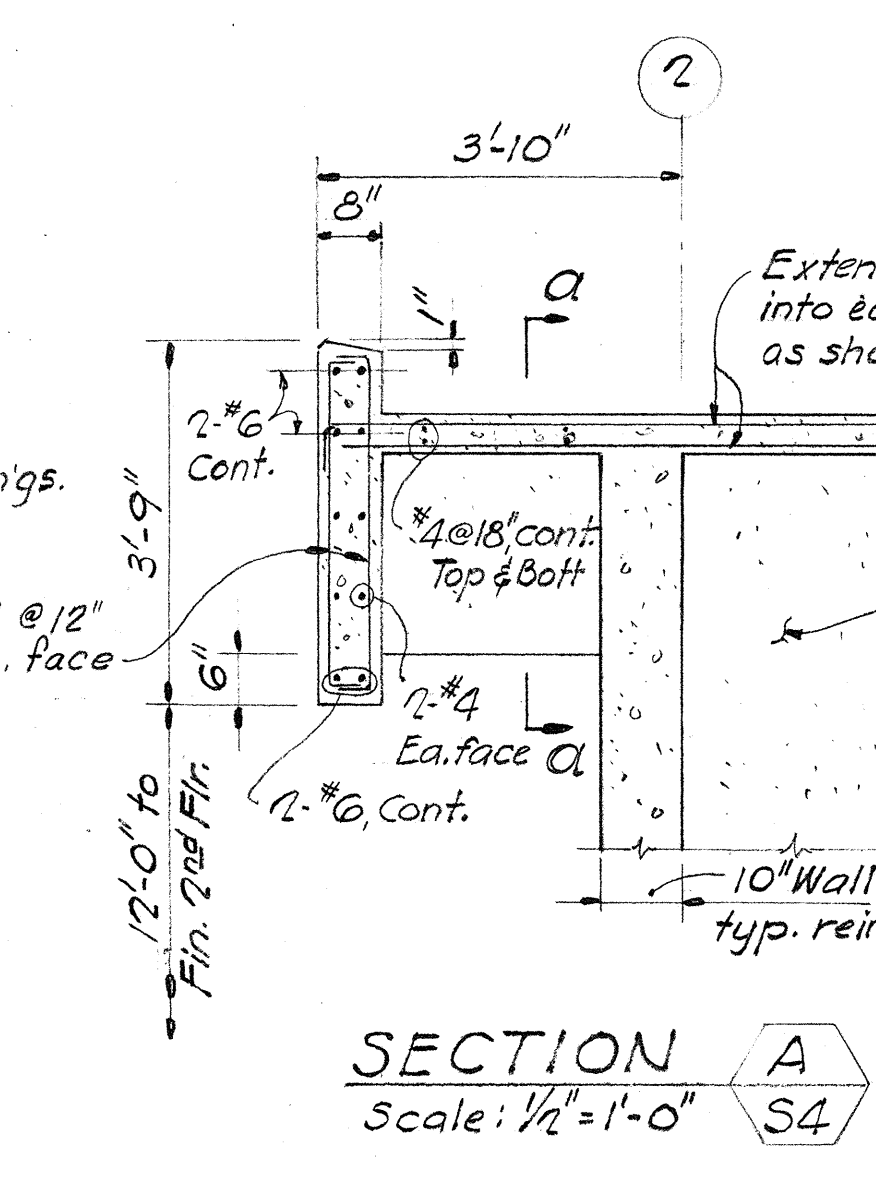


LOBBY AREA ROOF FRAMING PLAN
Scale: 3/8"=1'-0"

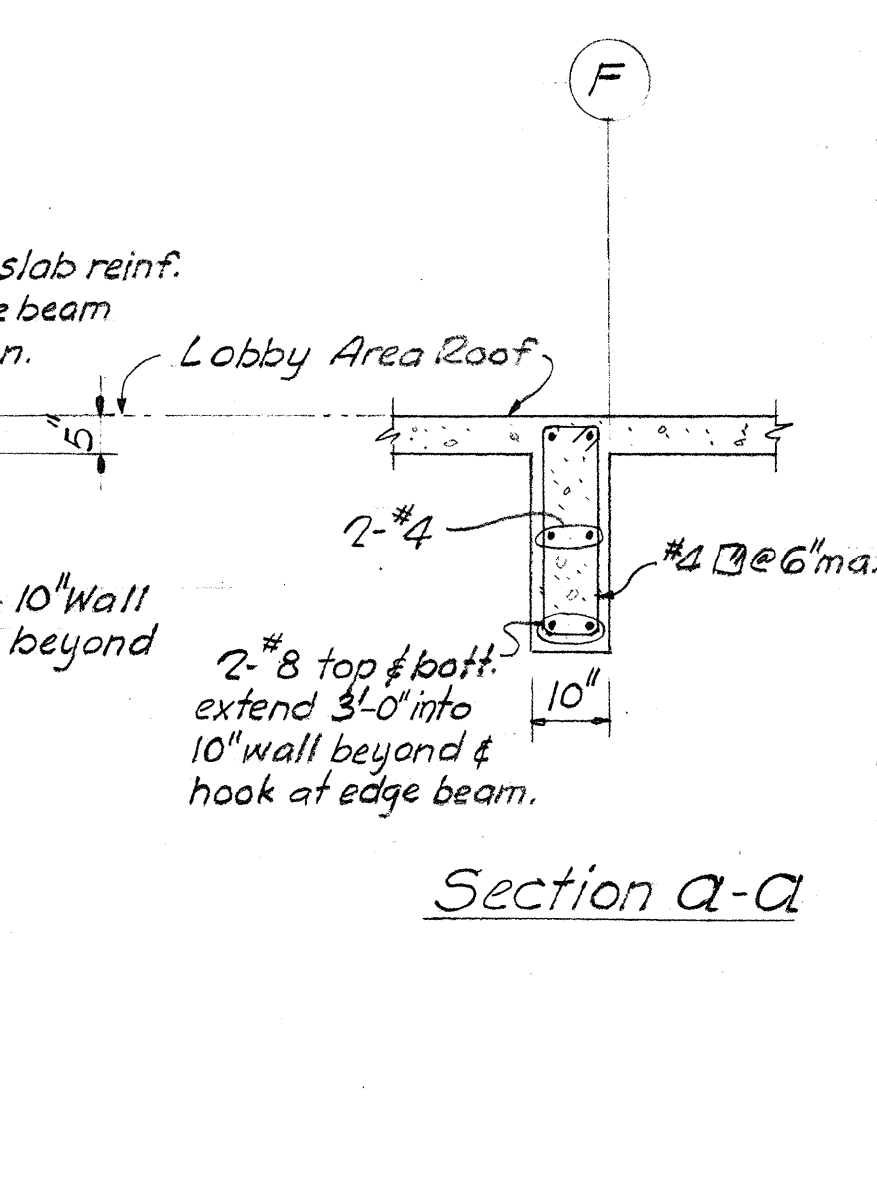


GYMNASIUM ROOF FRAMING PLAN
Scale: 1/8"=1'-0"

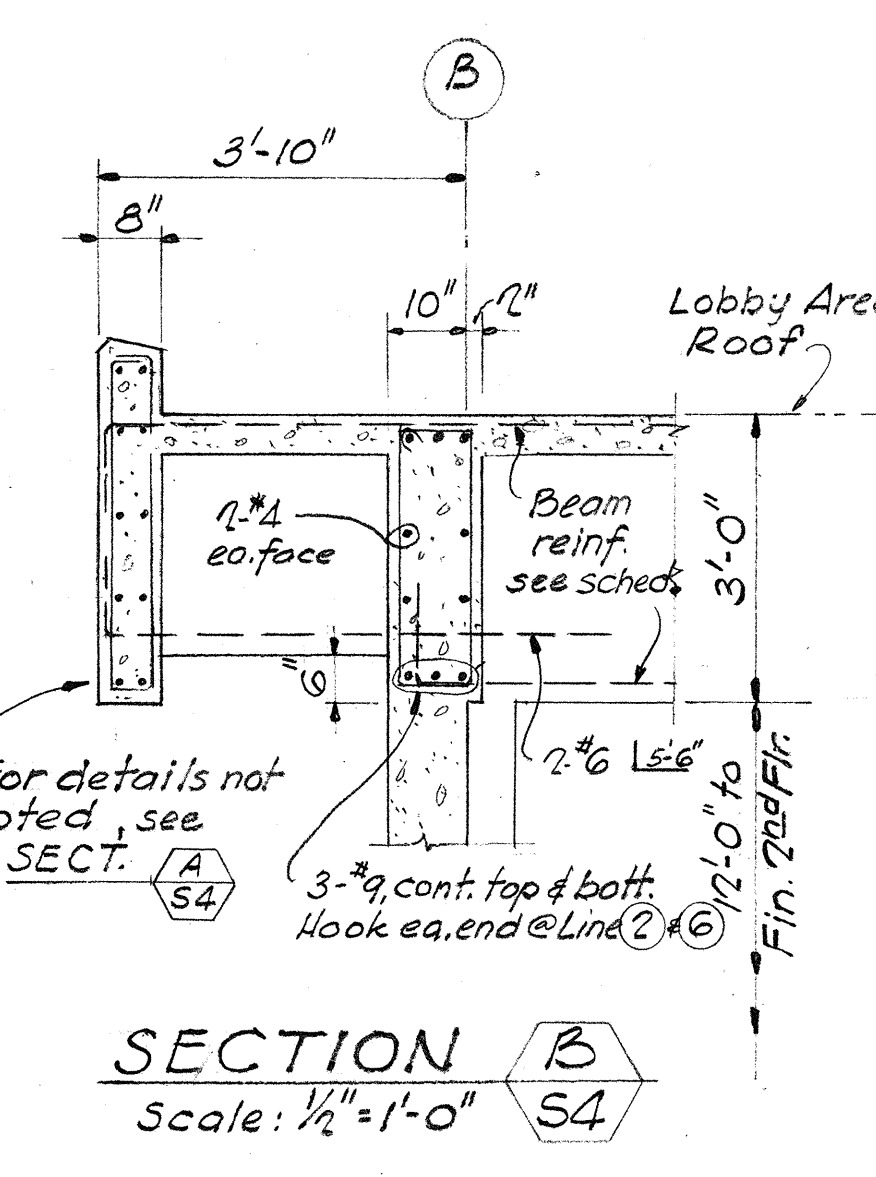
- Notes:**
1. See General Notes on Dwg. S1.
 2. For Roof curb details see Dwg. S6.
 3. For Slab & Beam schedule, see Dwg. S6.
 4. Bar cages are shown thus: [Symbol], see Dwg. S7 for details.



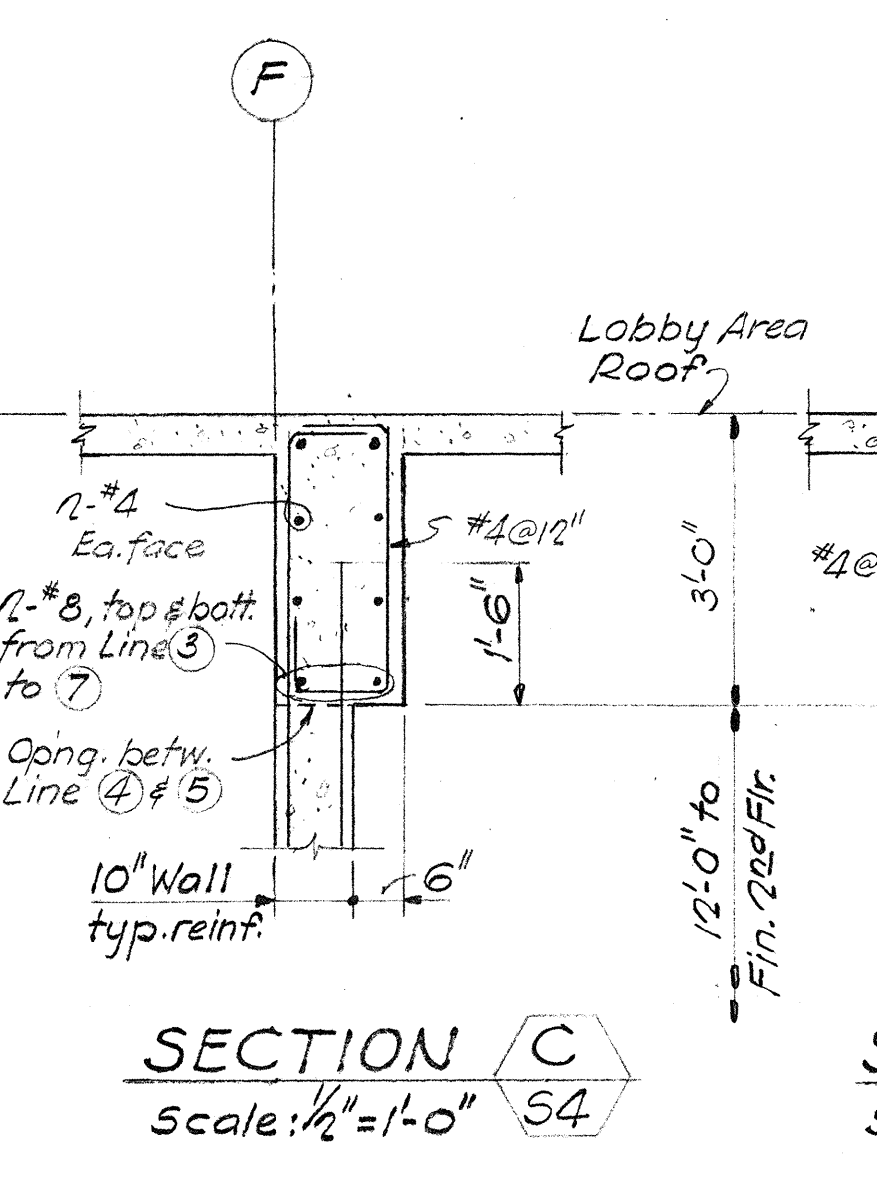
SECTION A-A
Scale: 1/2"=1'-0"



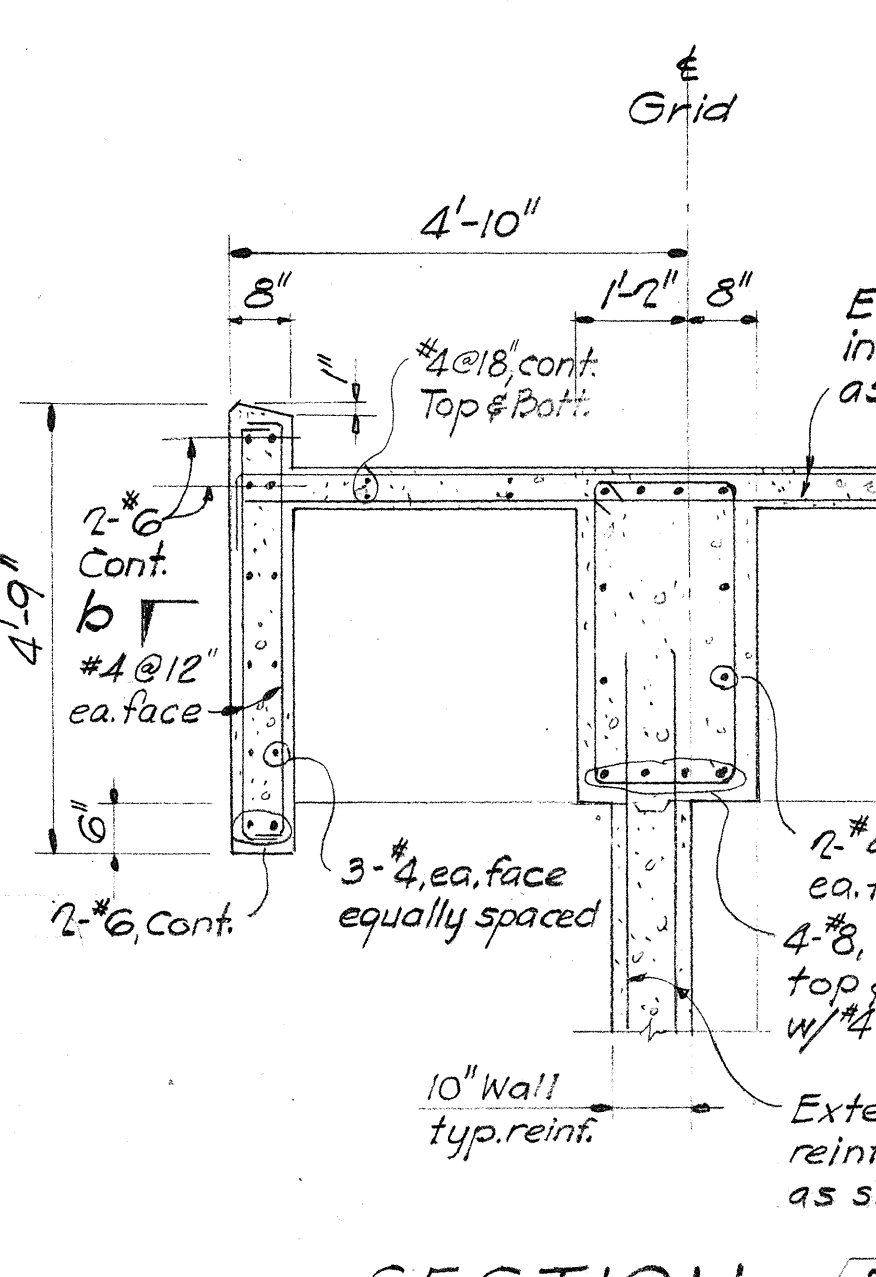
SECTION B-B
Scale: 1/2"=1'-0"



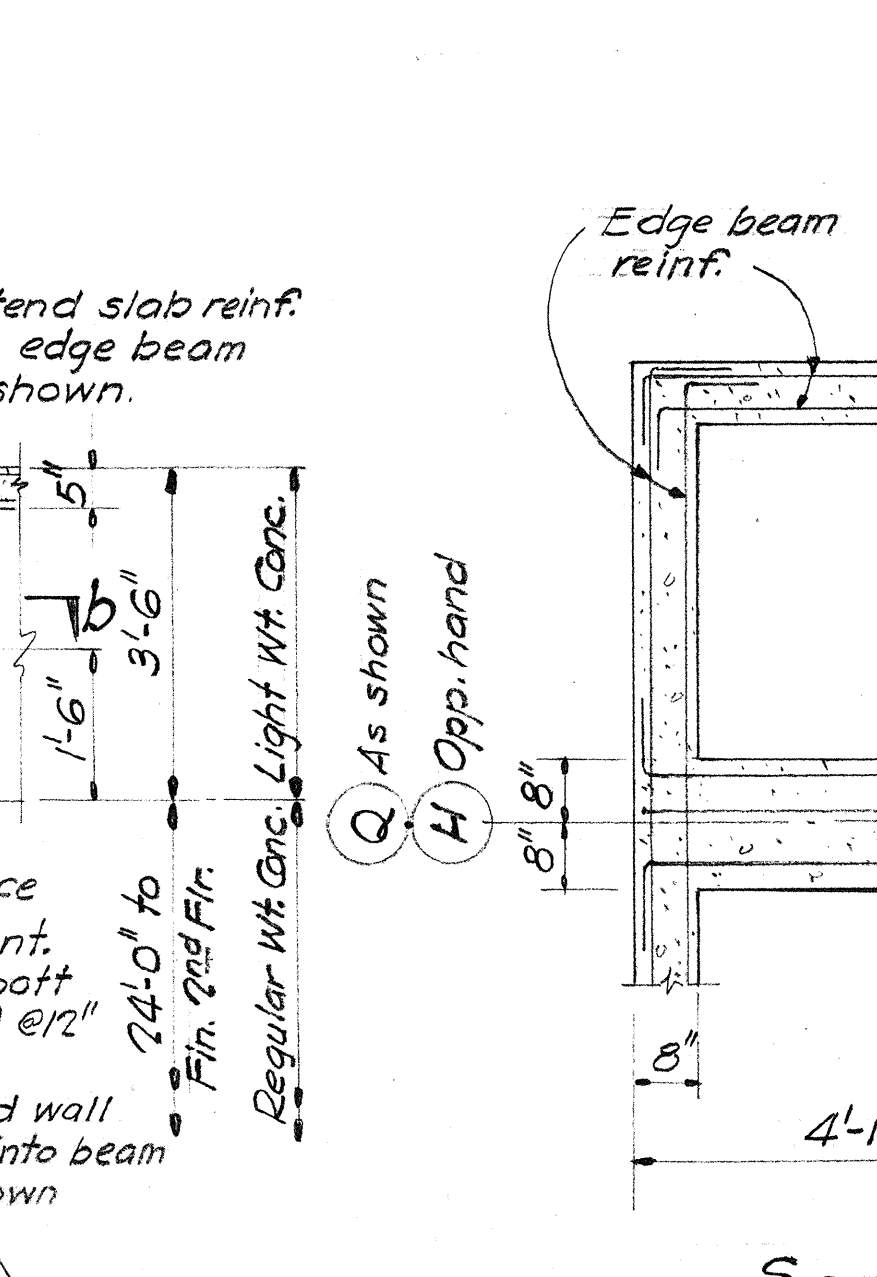
SECTION C-C
Scale: 1/2"=1'-0"



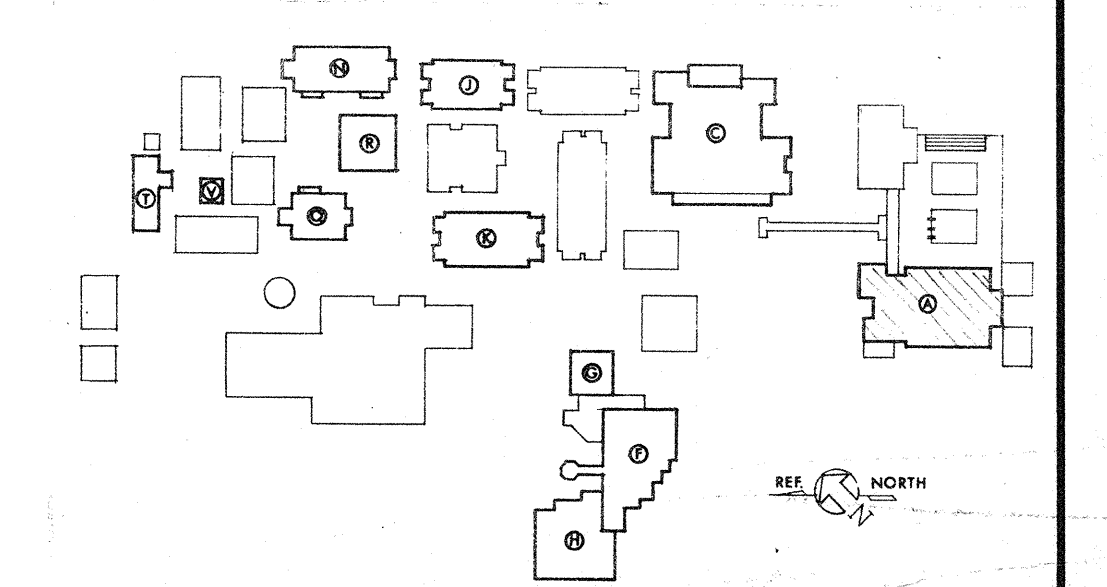
SECTION D-D
Scale: 1/2"=1'-0"



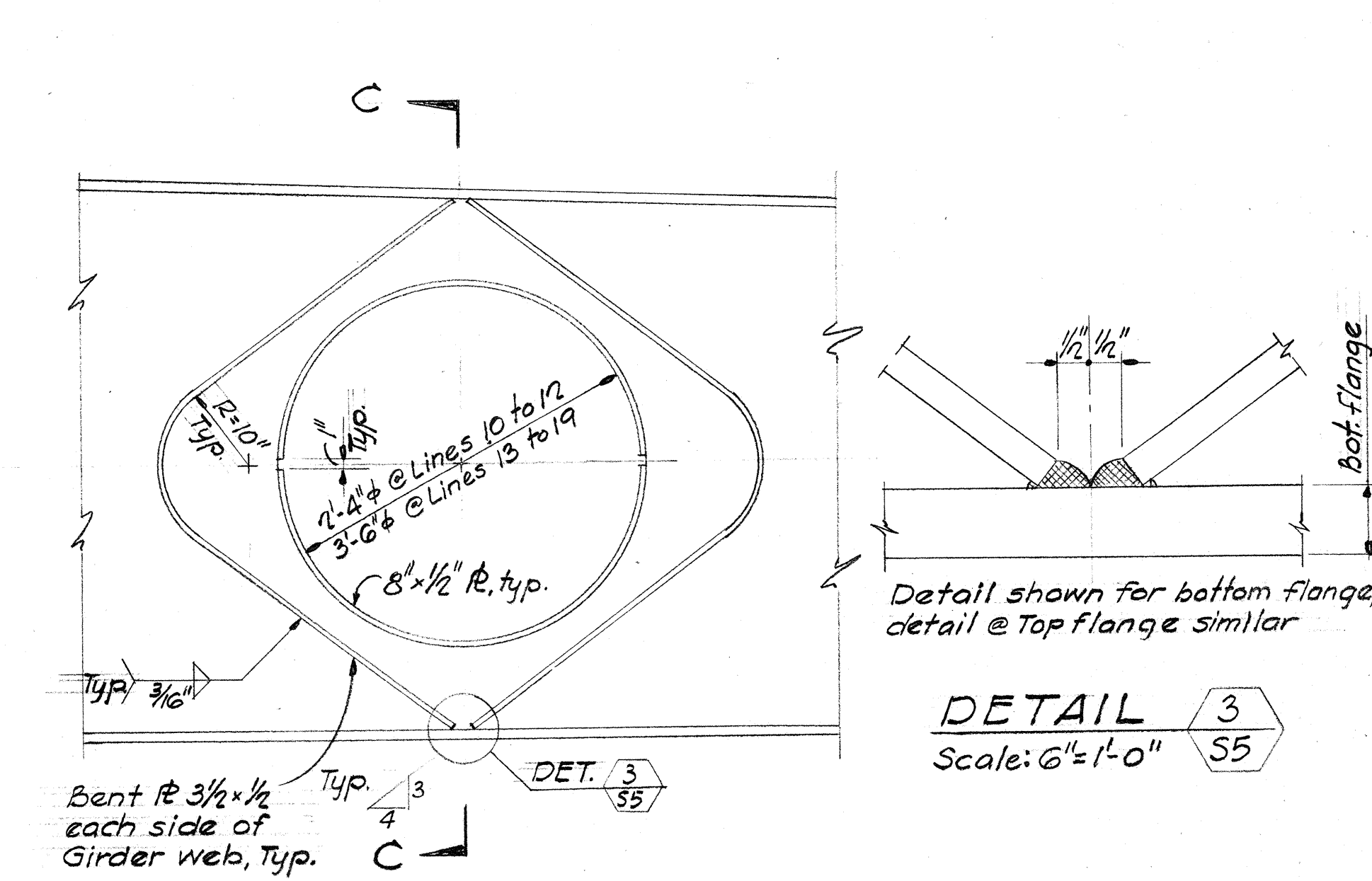
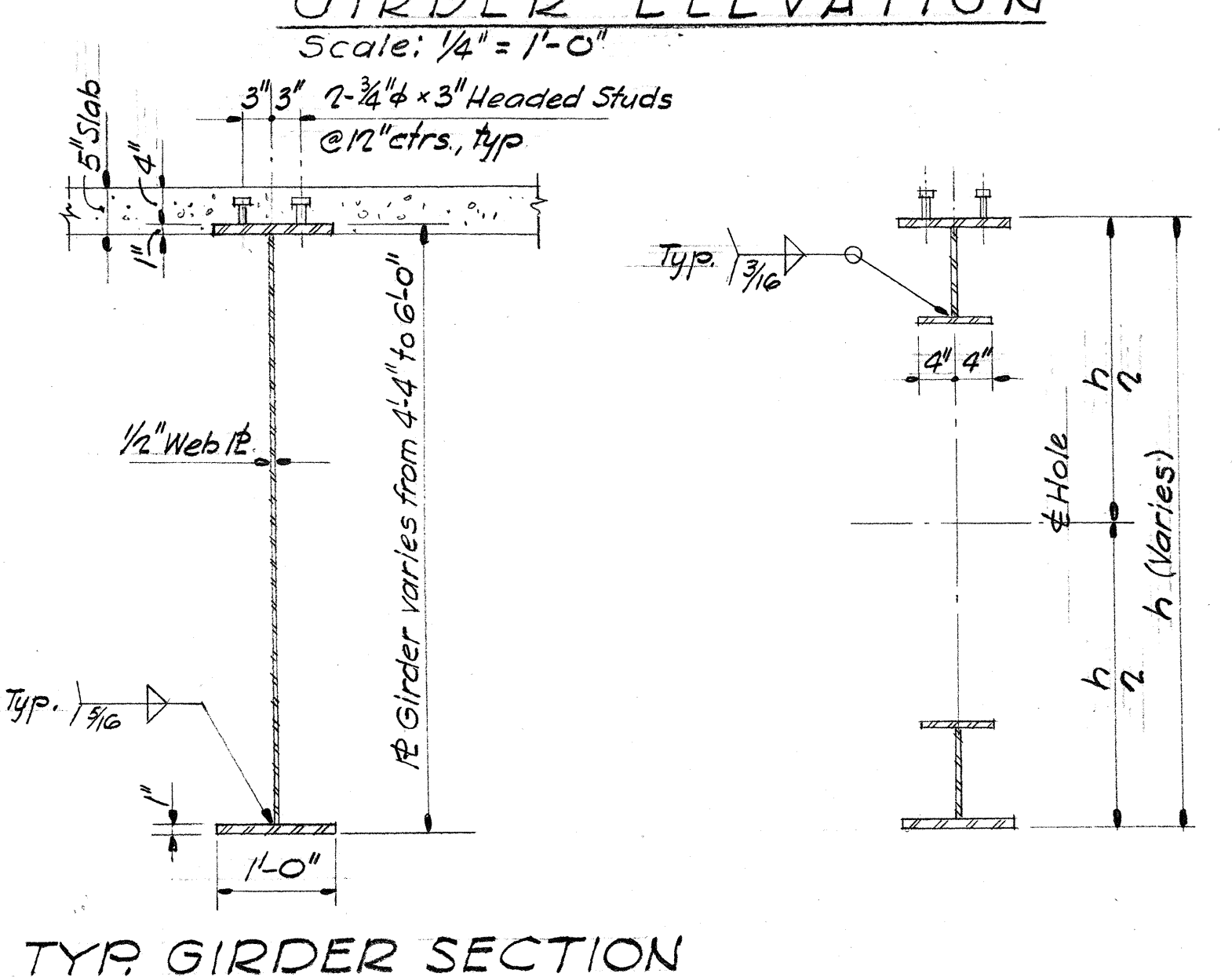
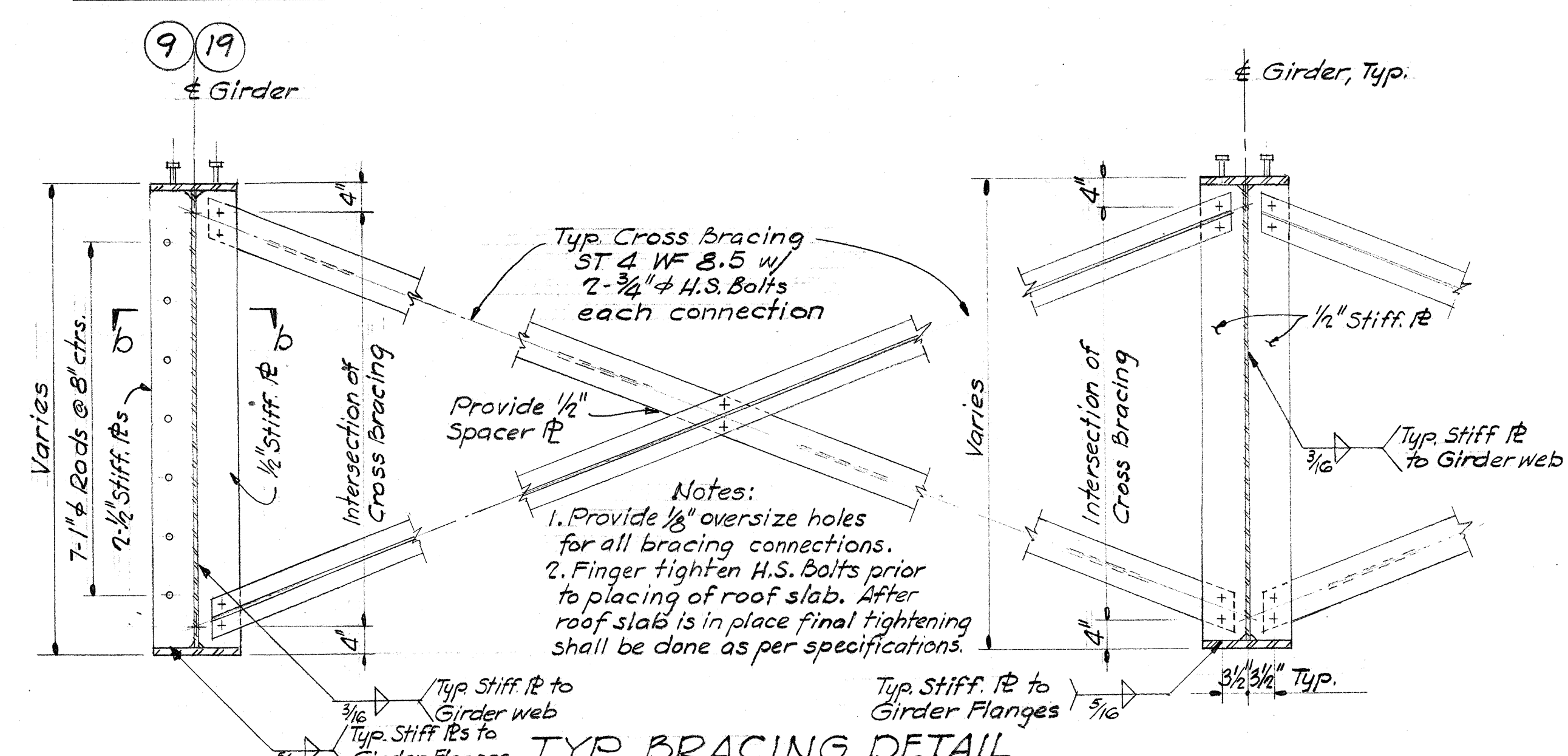
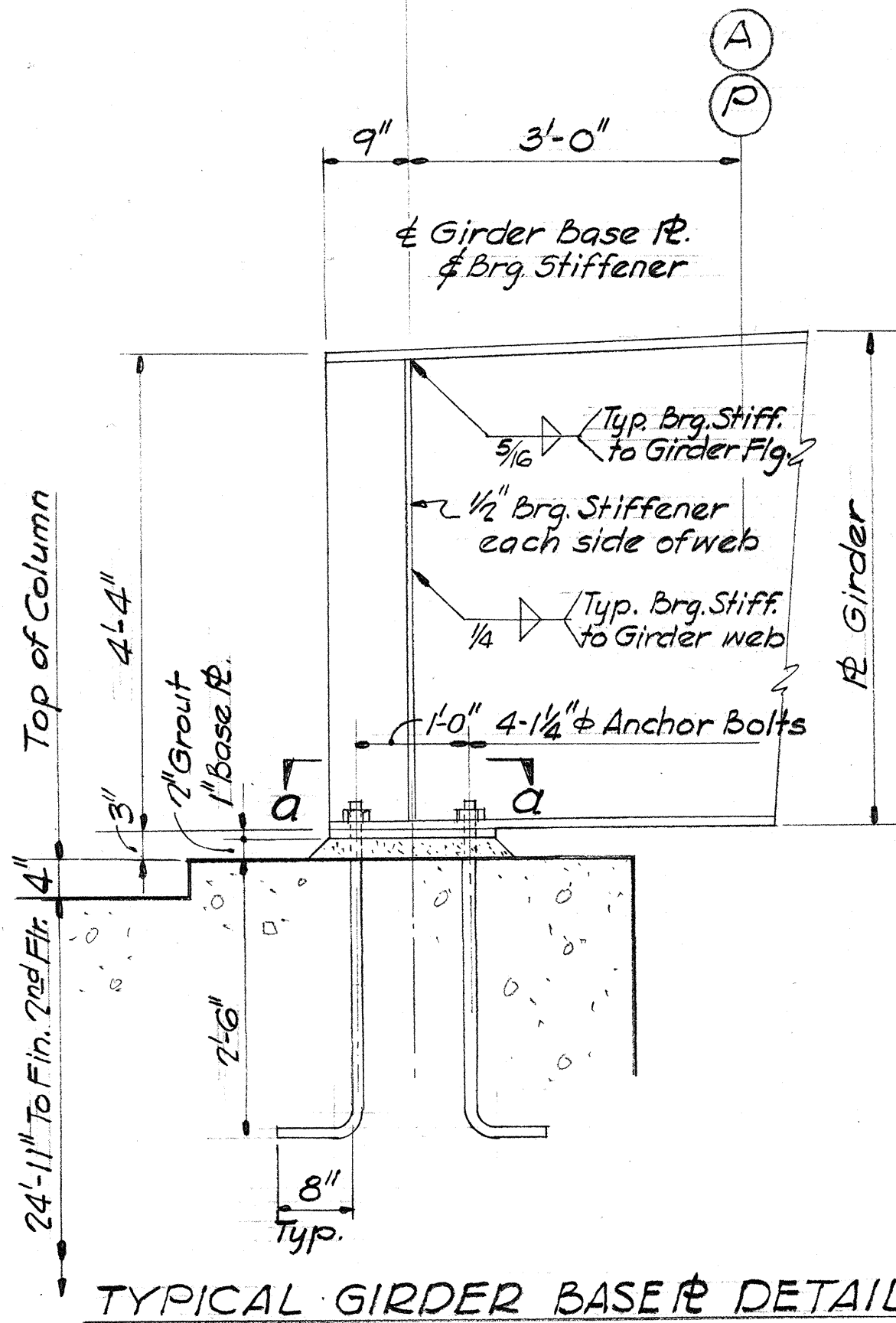
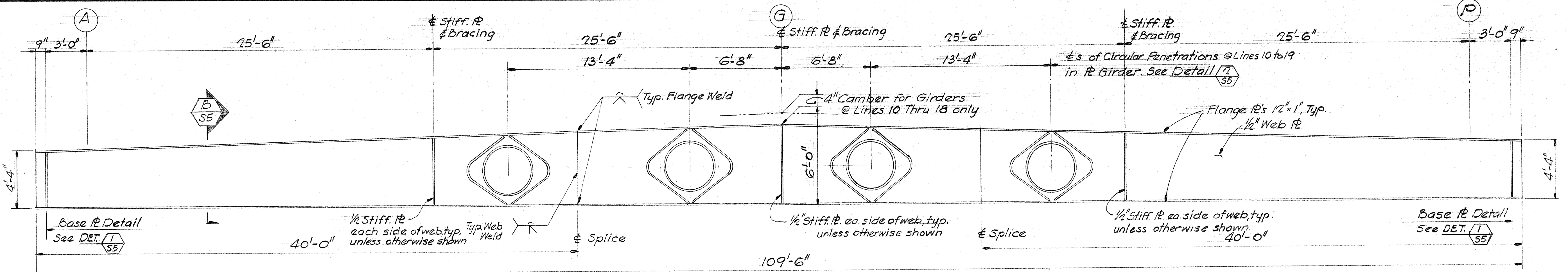
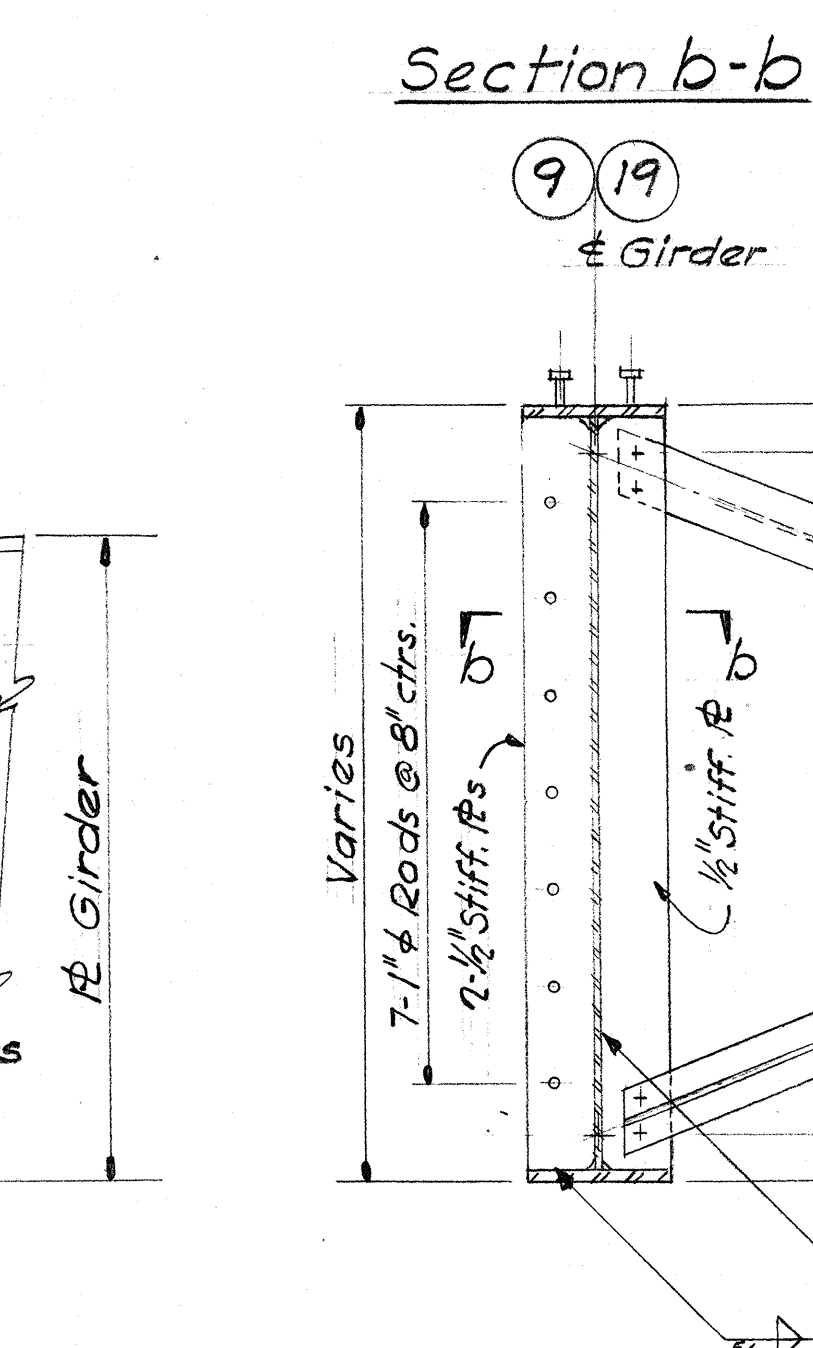
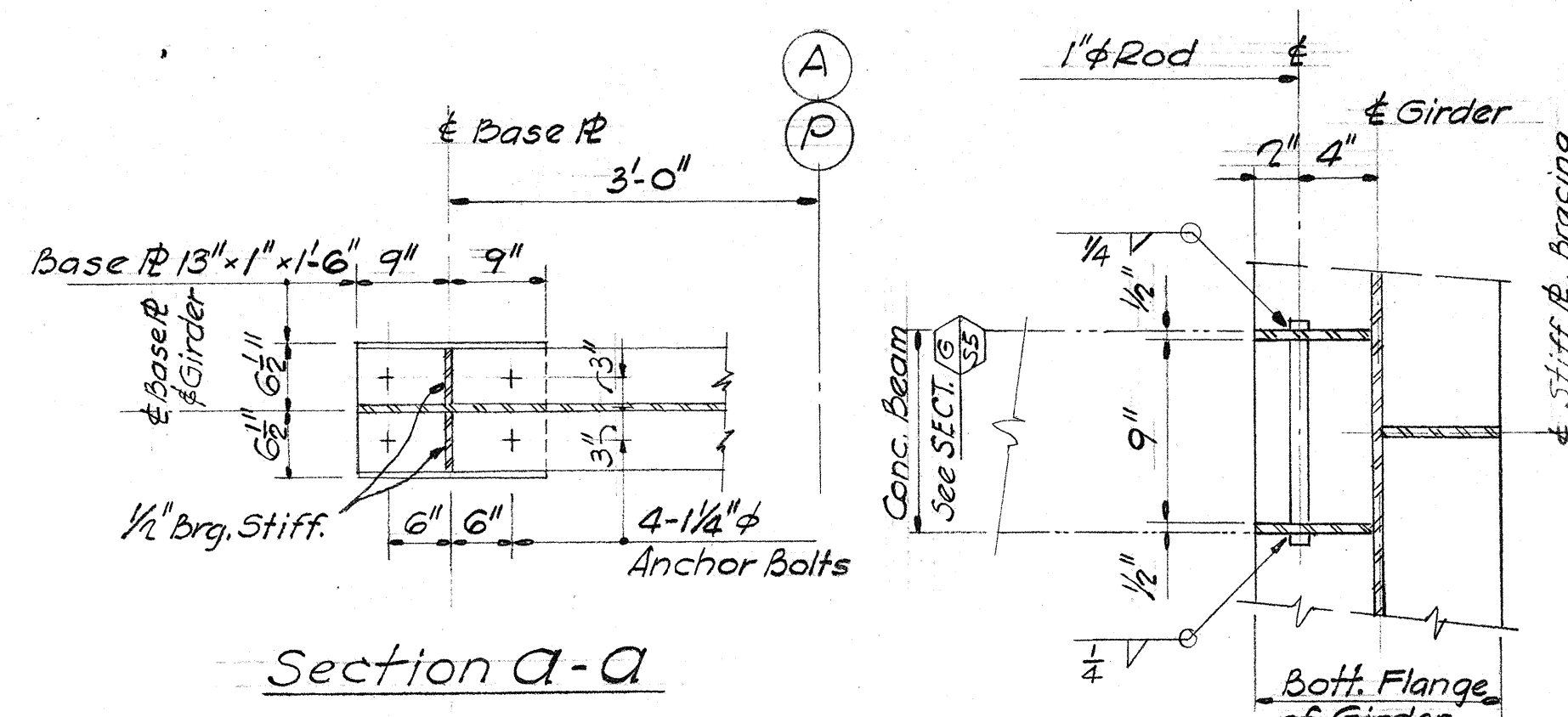
SECTION E-E
Scale: 1/2"=1'-0"



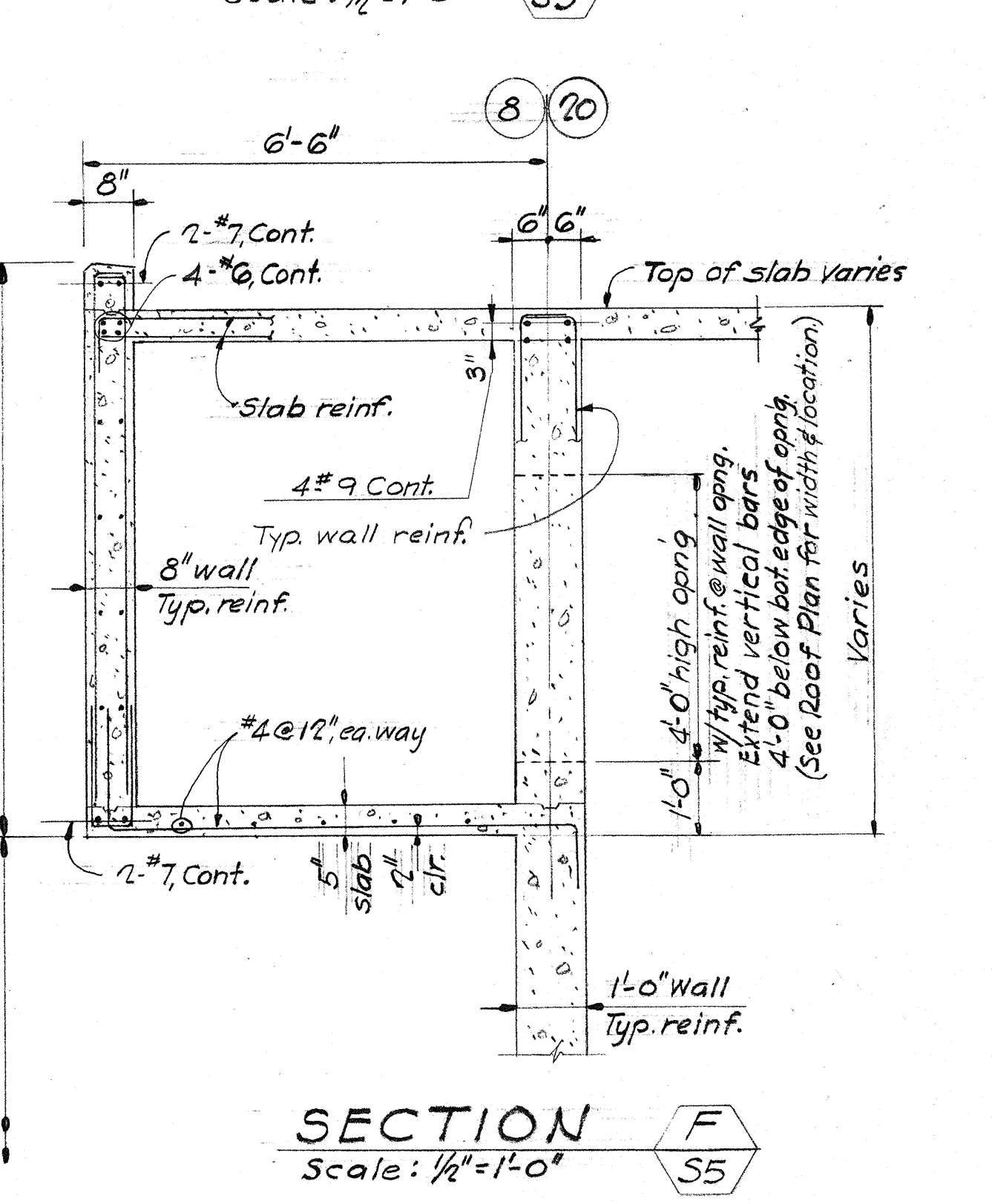
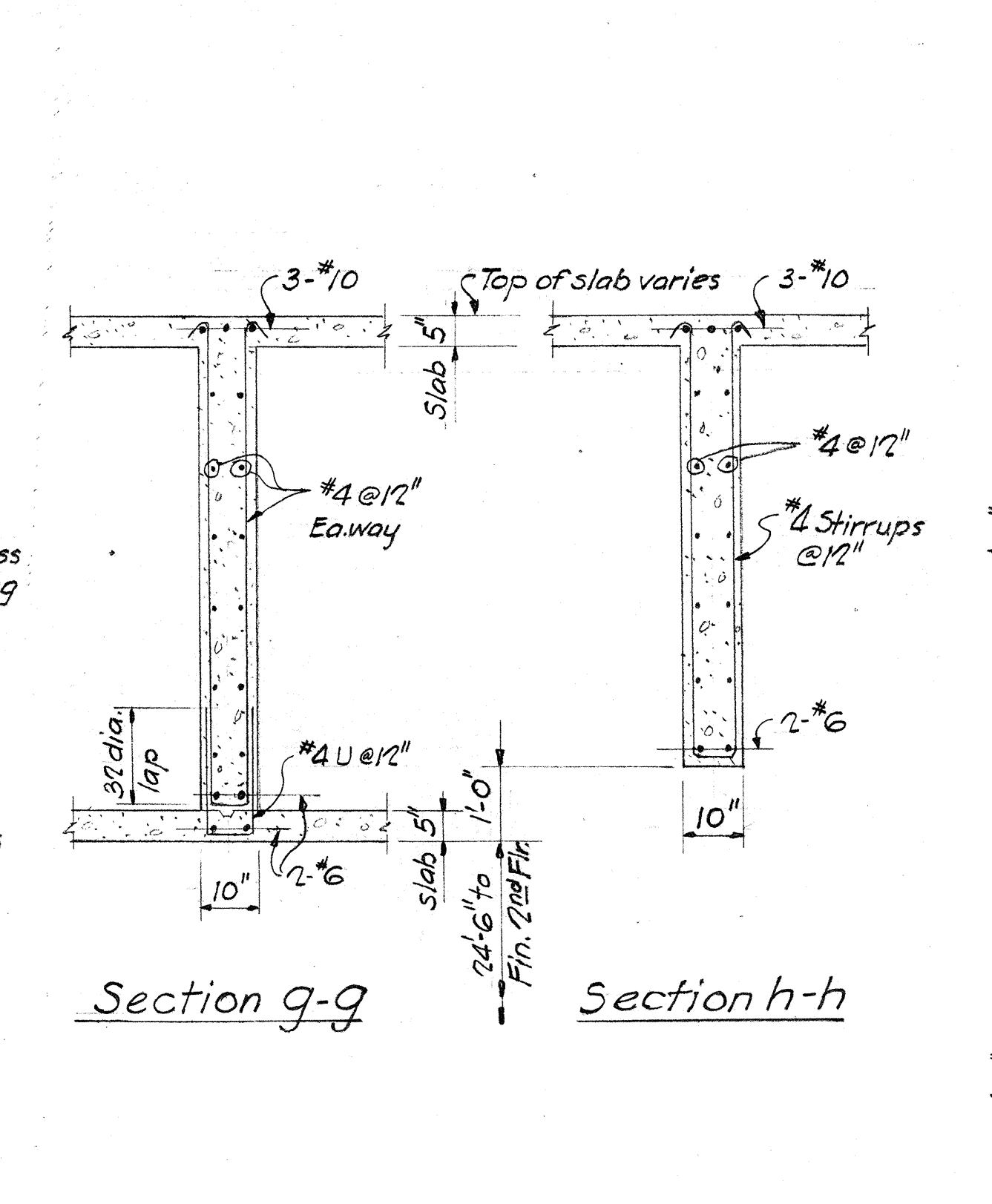
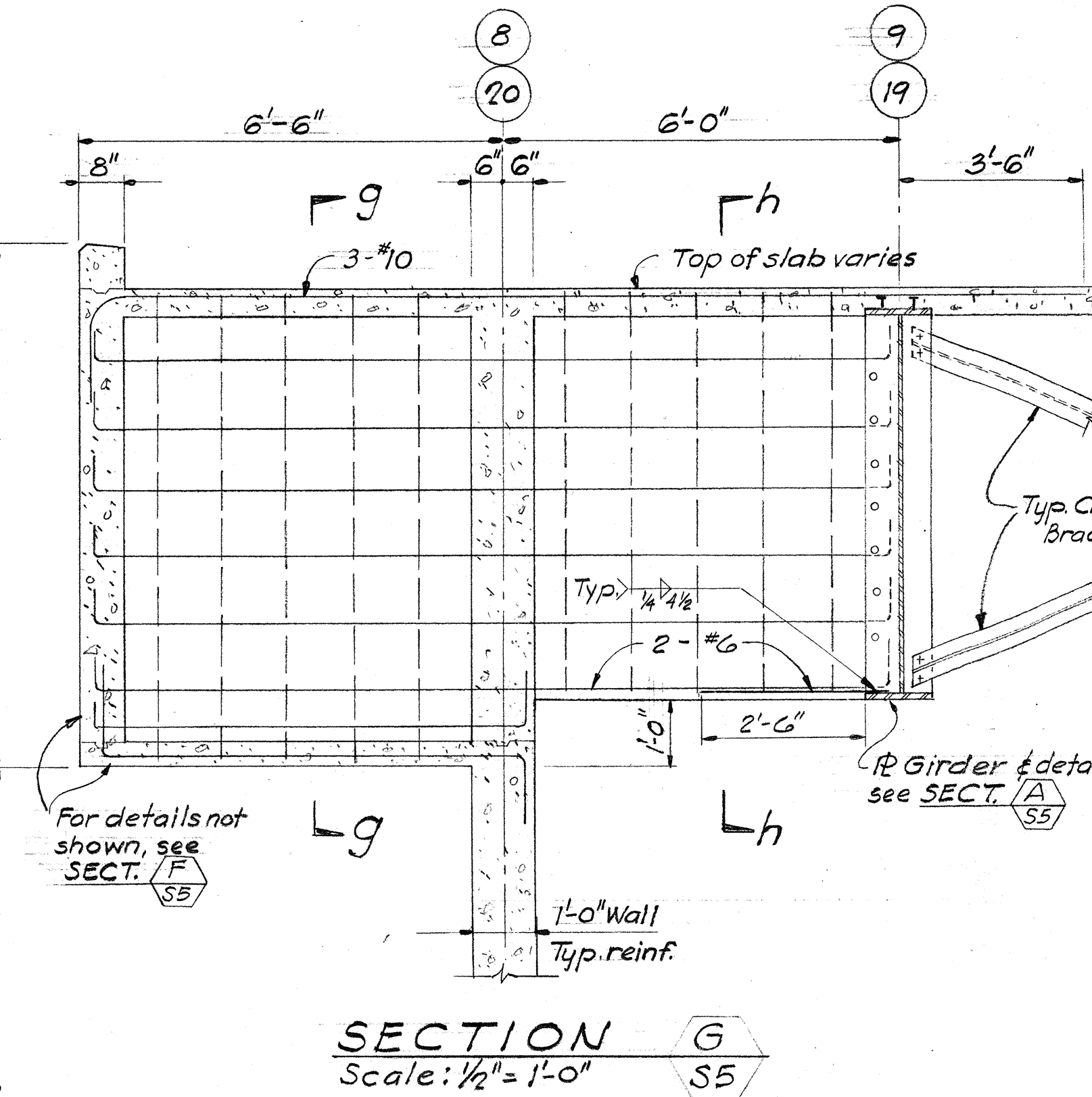
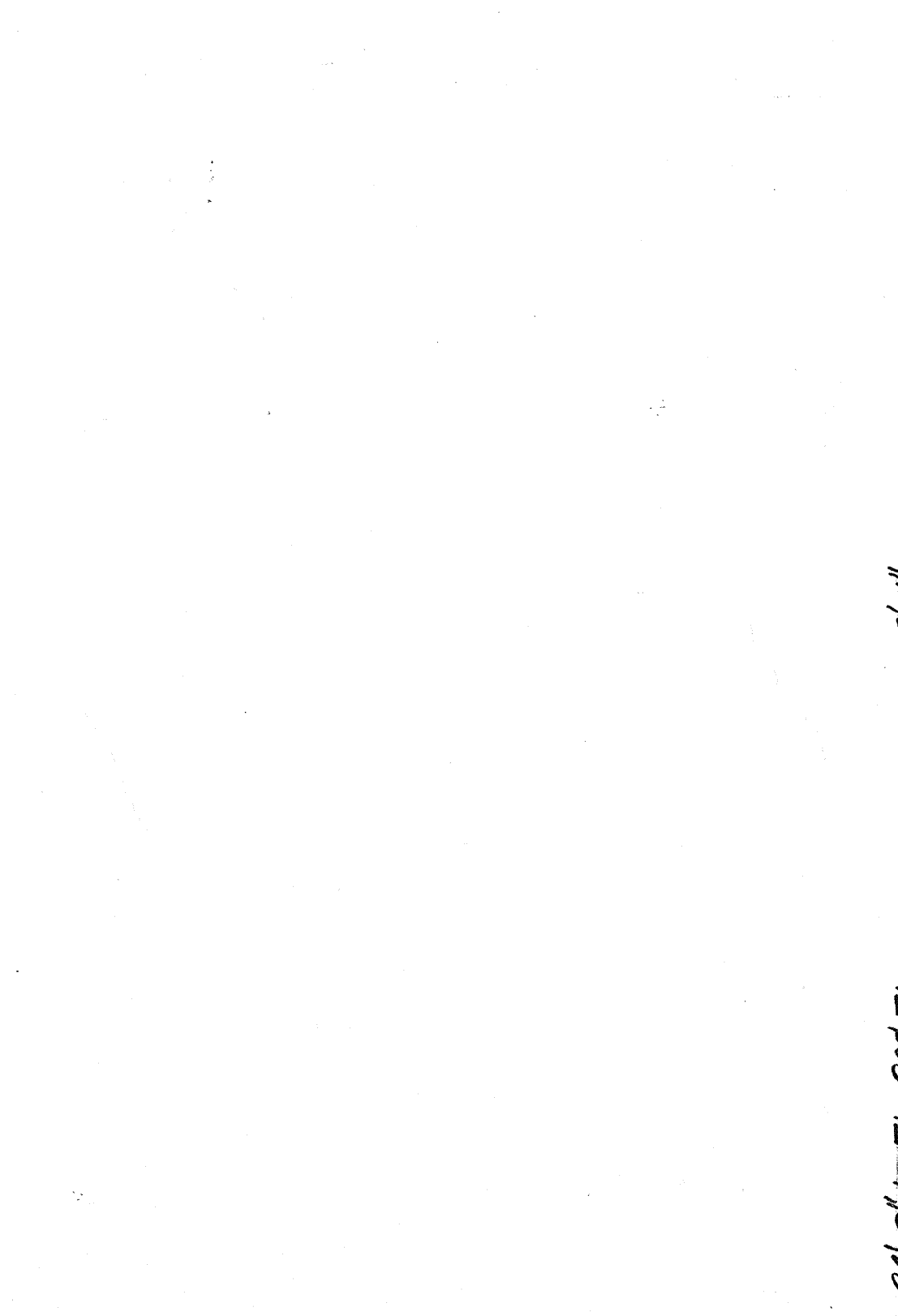
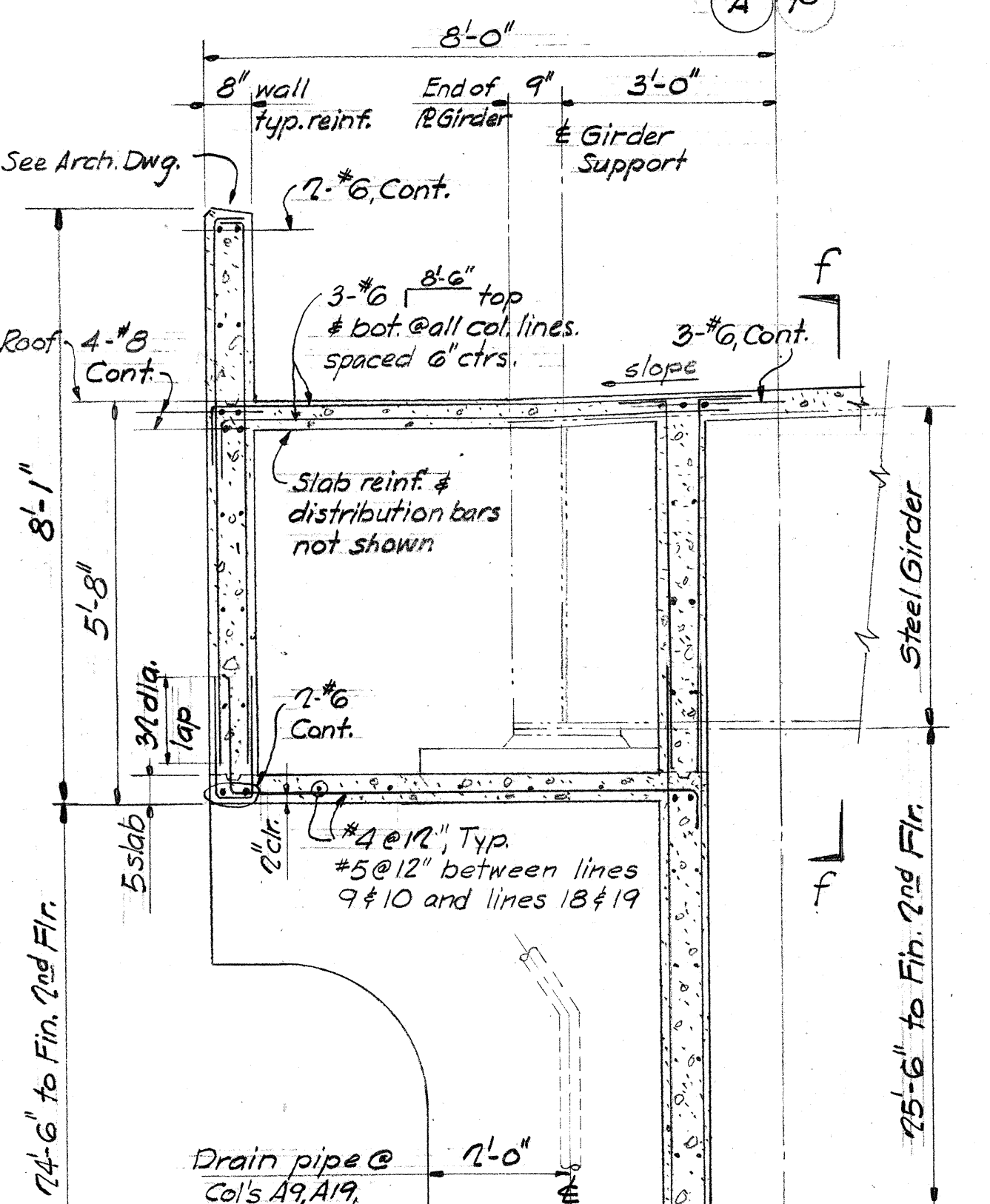
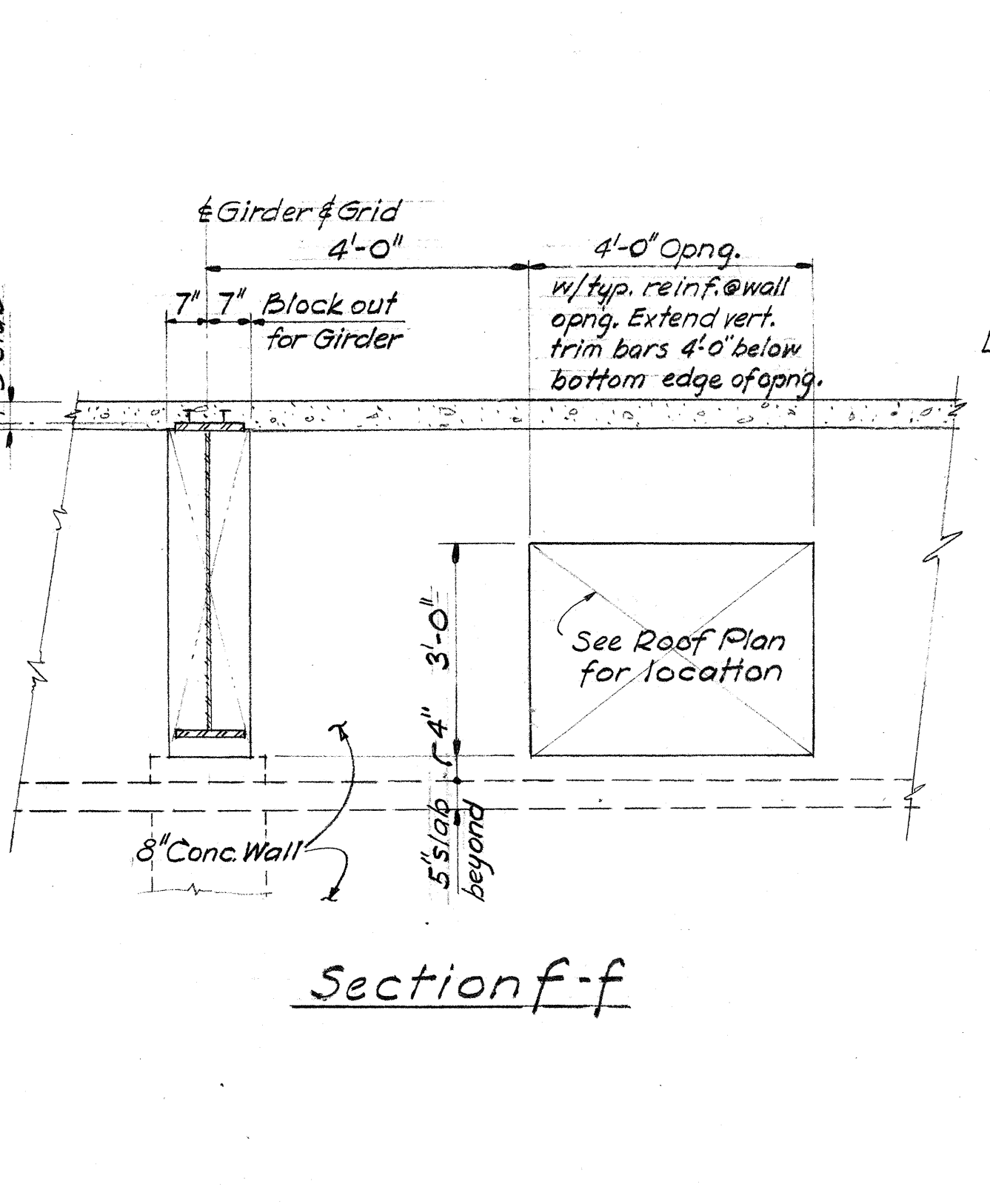
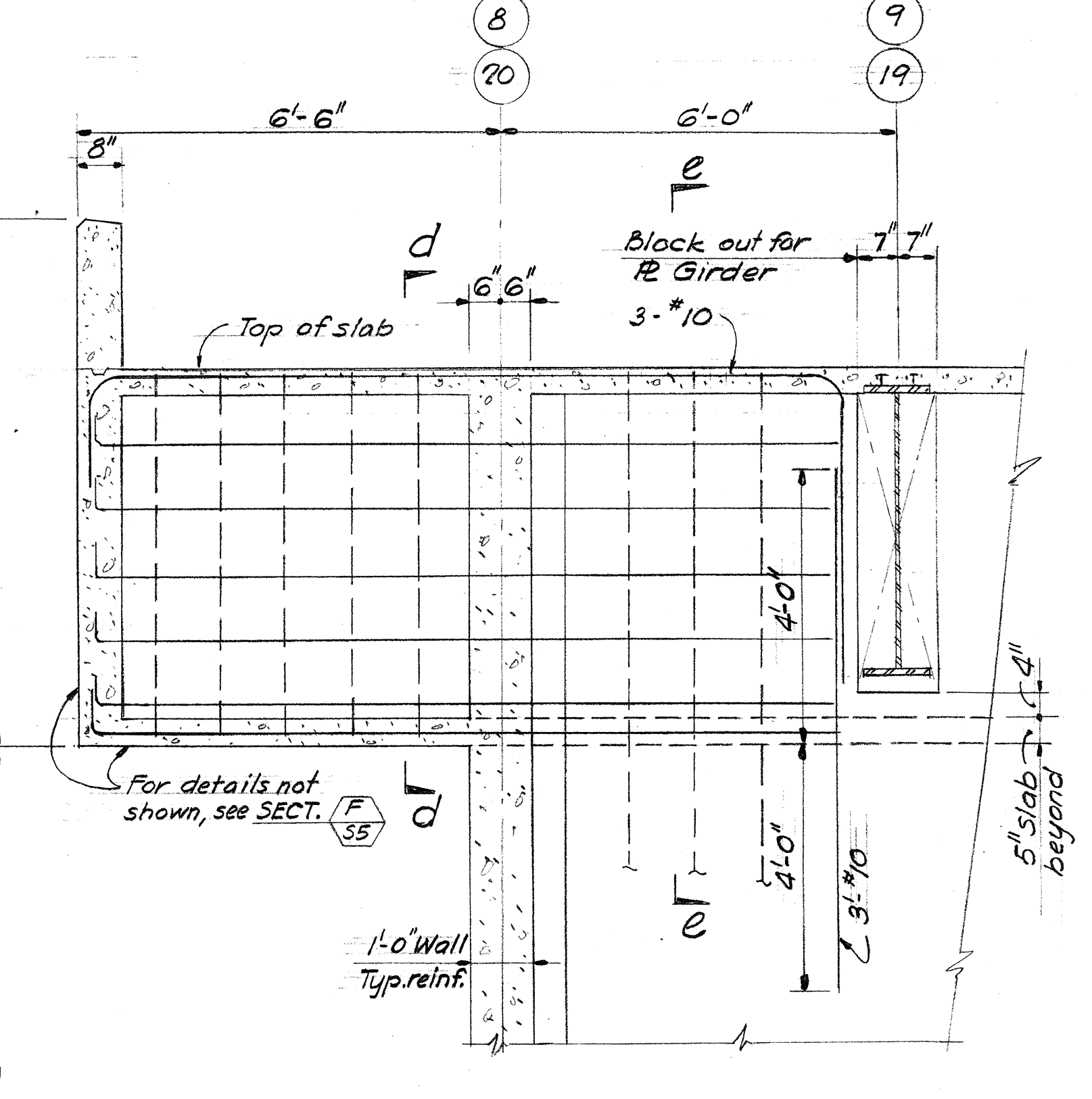
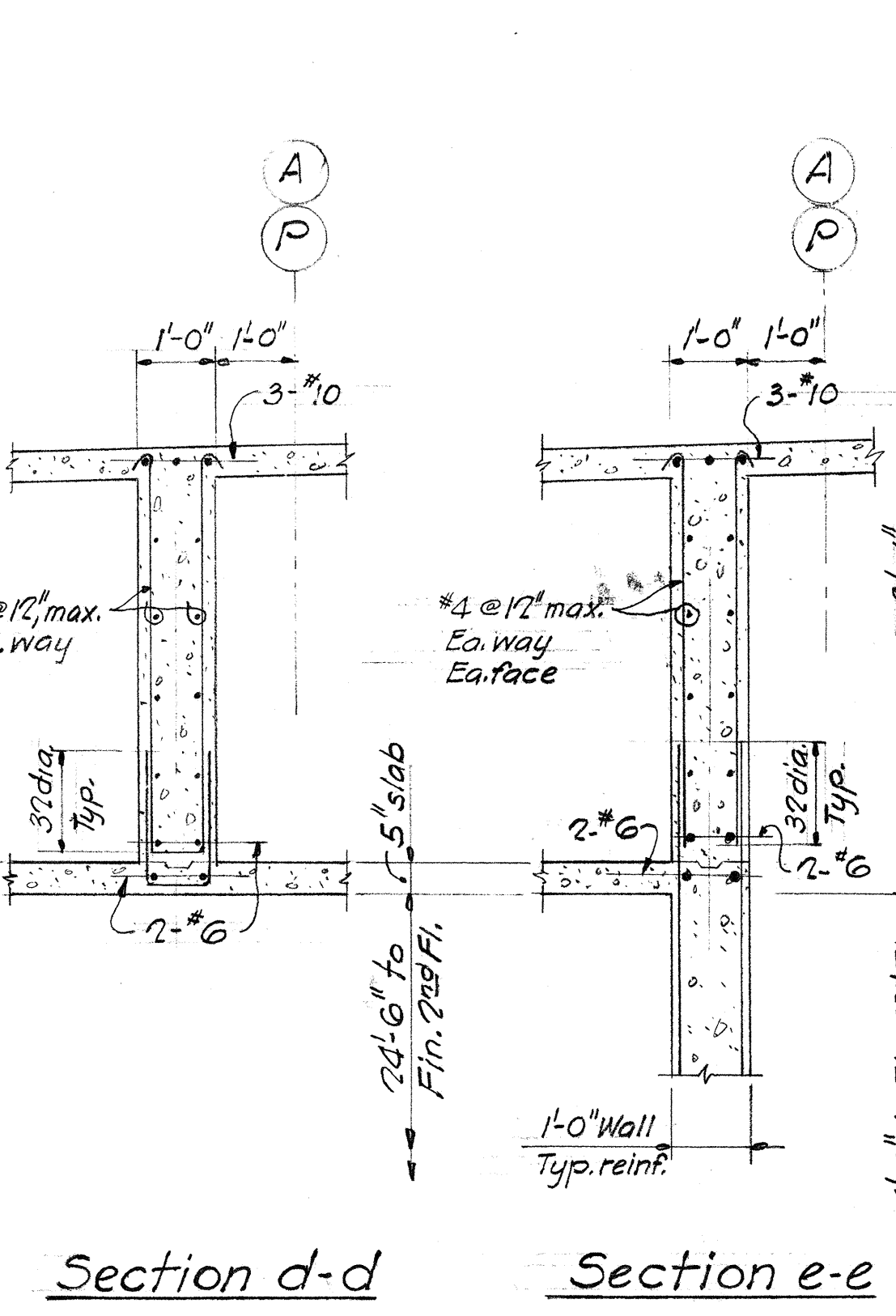
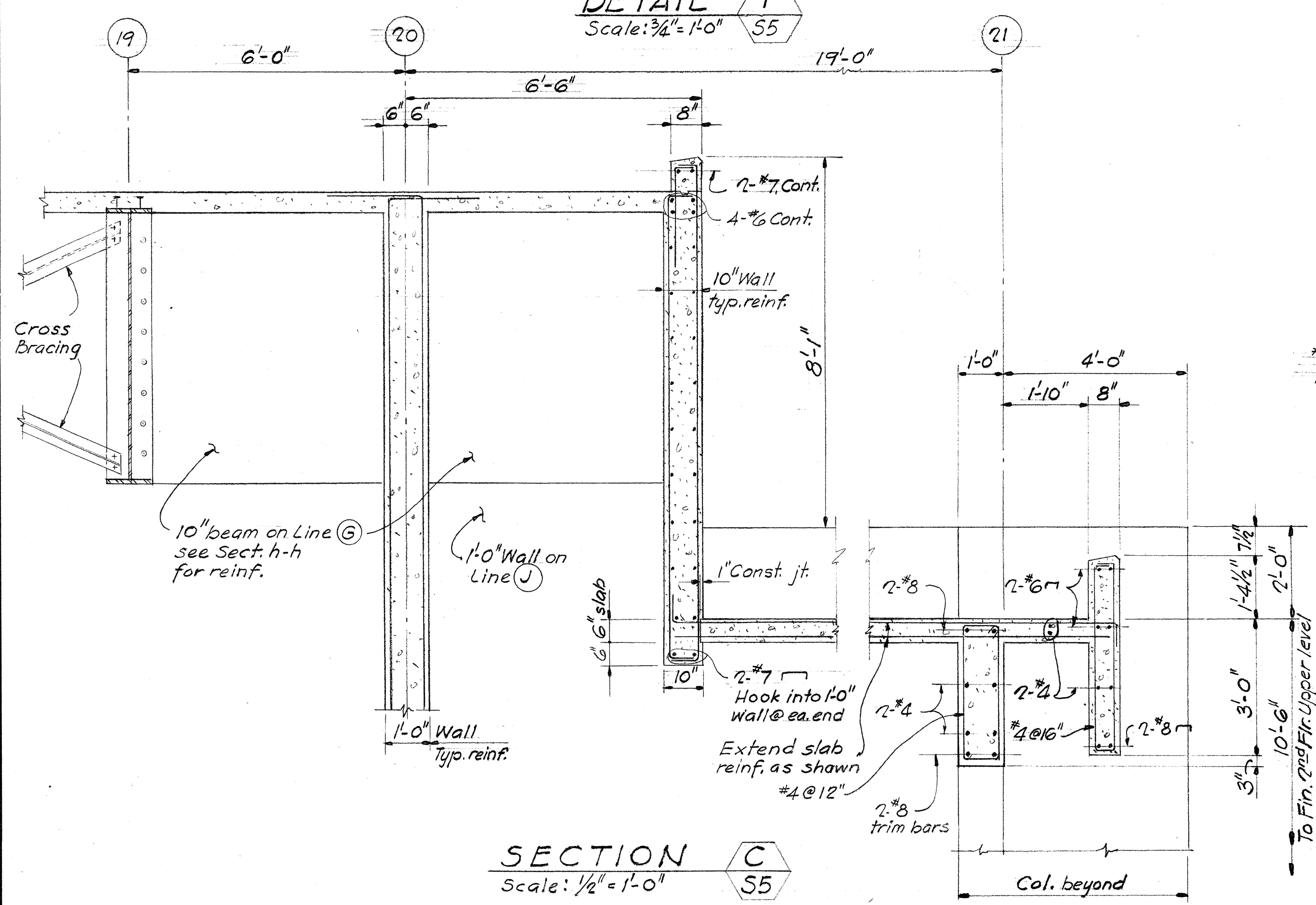
SECTION F-F
Scale: 1/2"=1'-0"

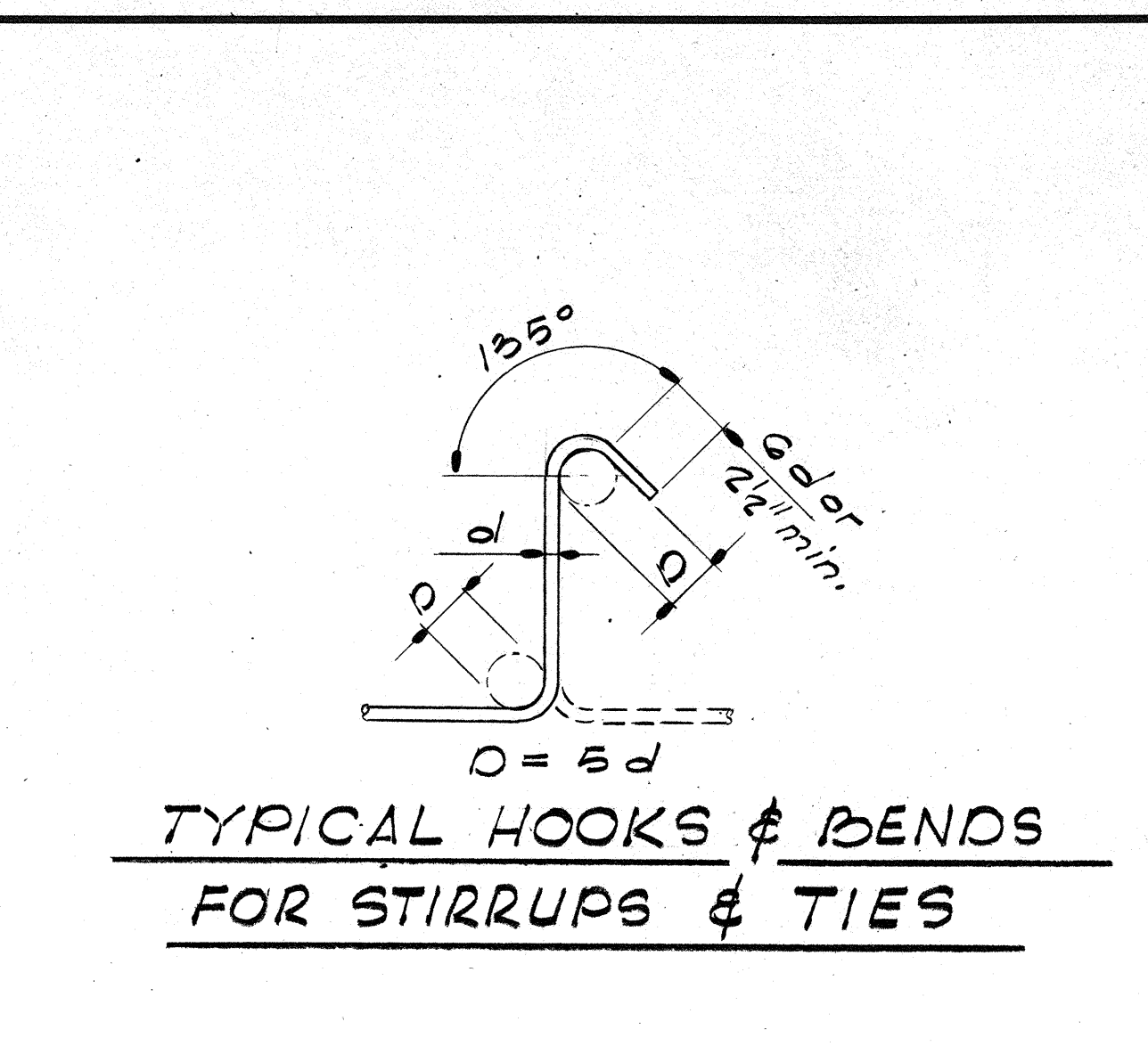
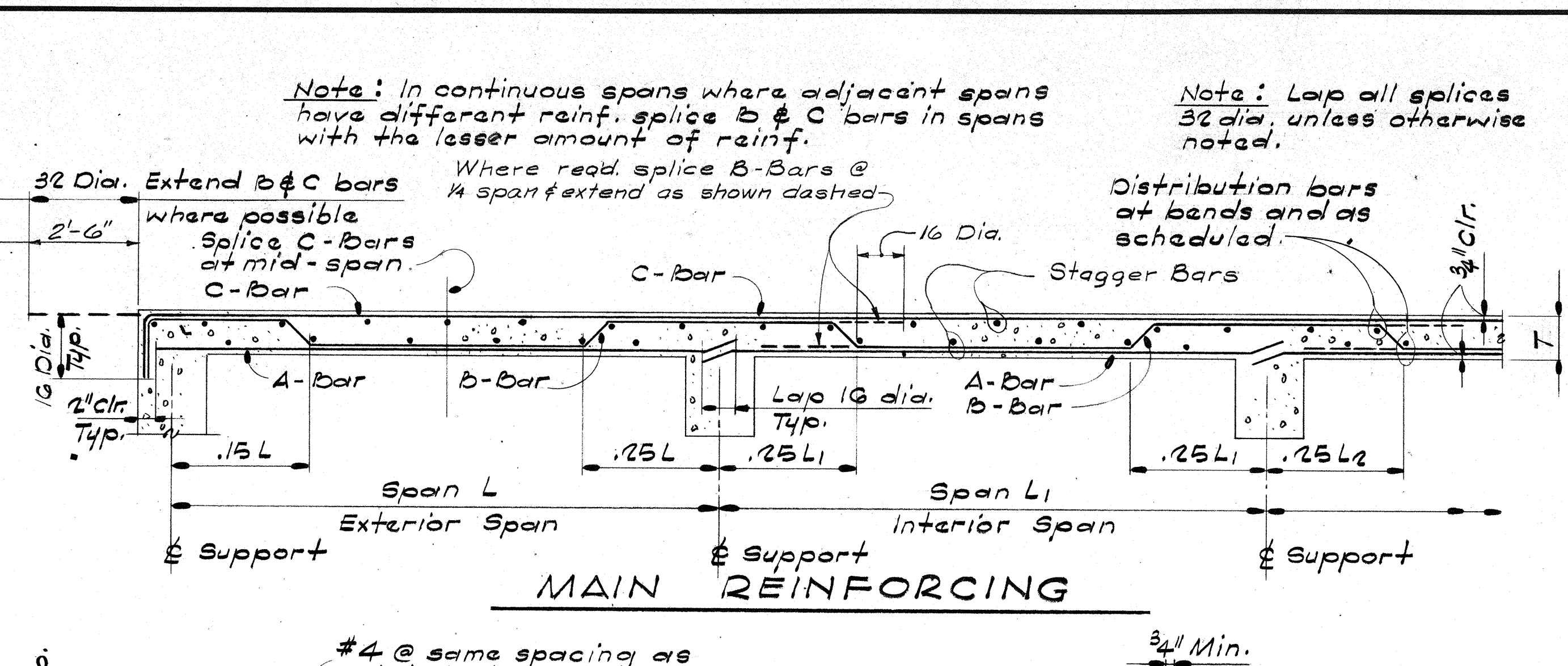
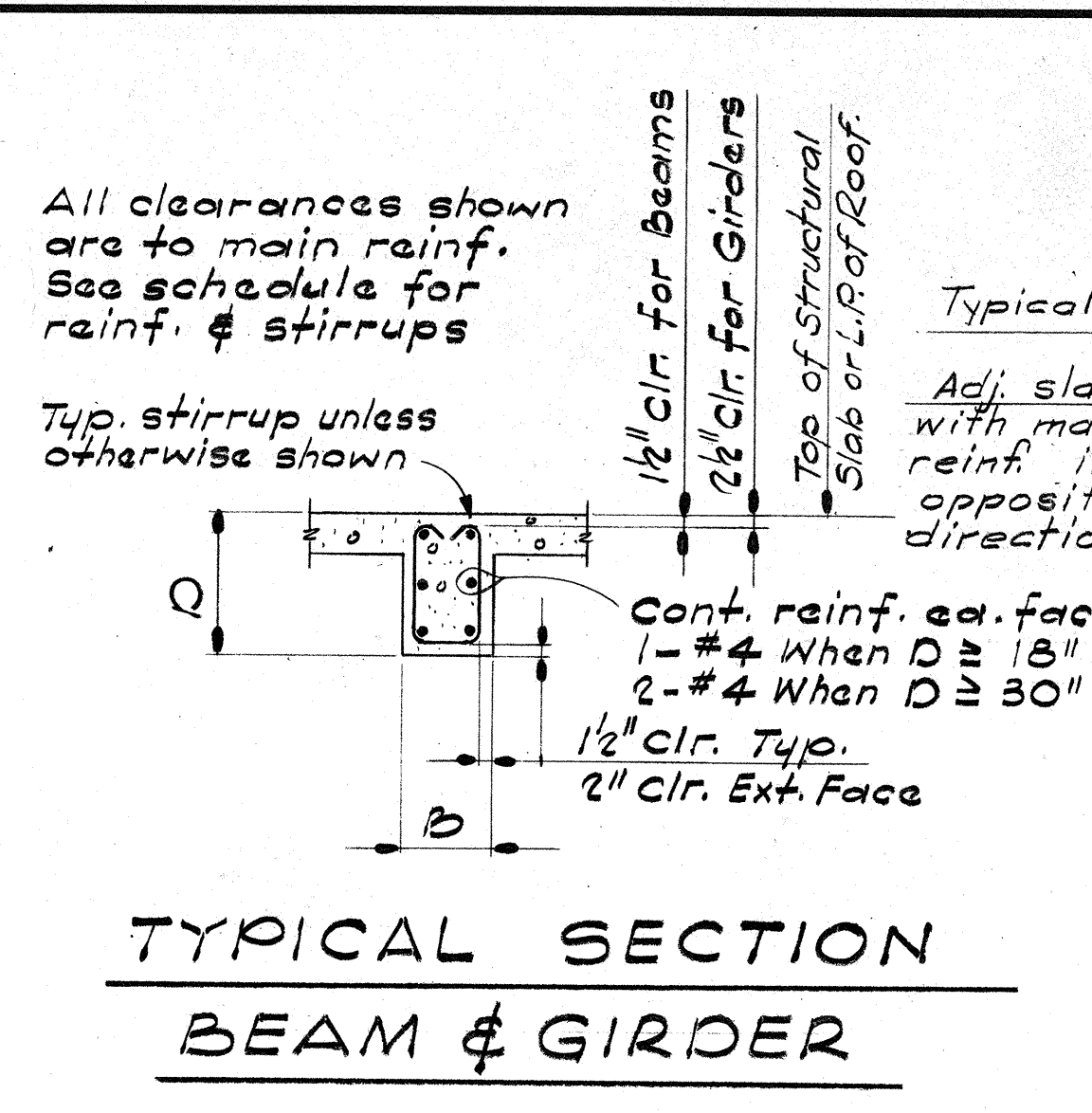
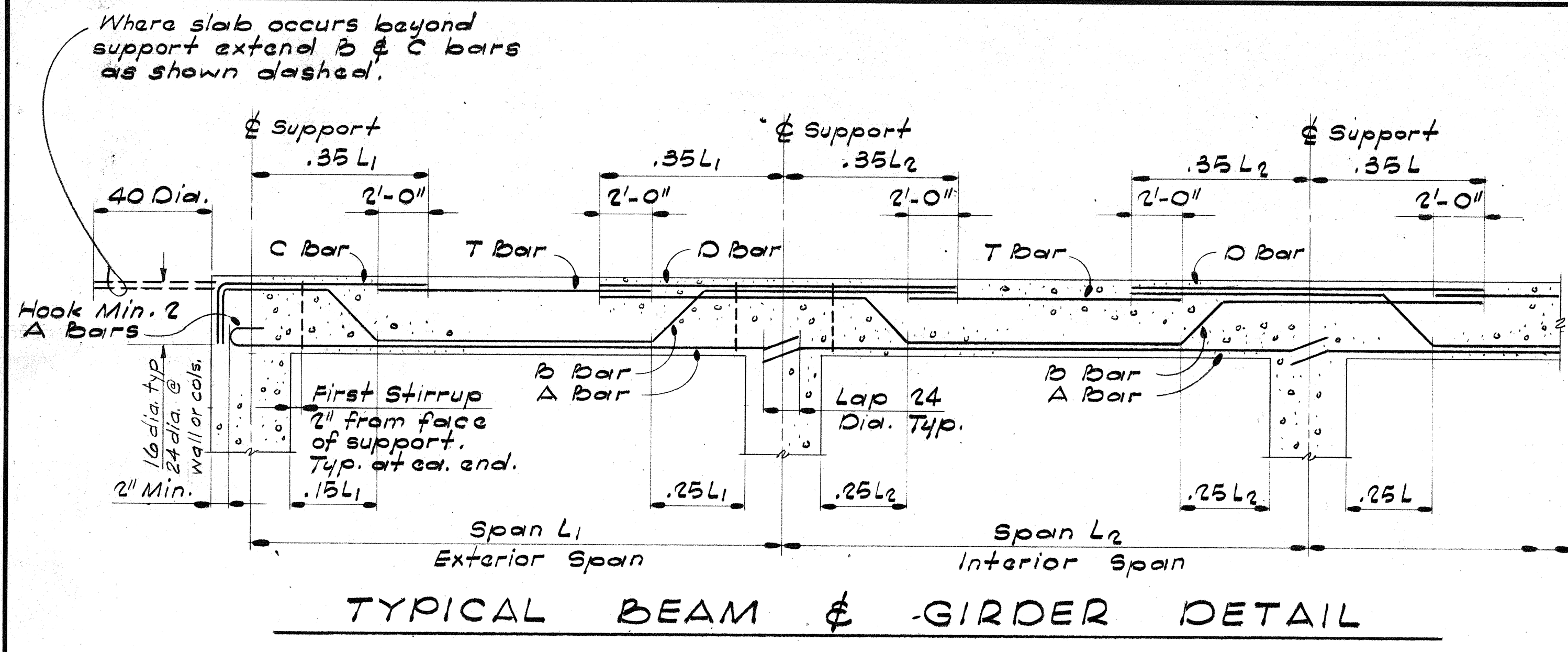


ROOF FRAMING PLAN



TYPICAL PLATE GIRDER SECTIONS AND DETAILS

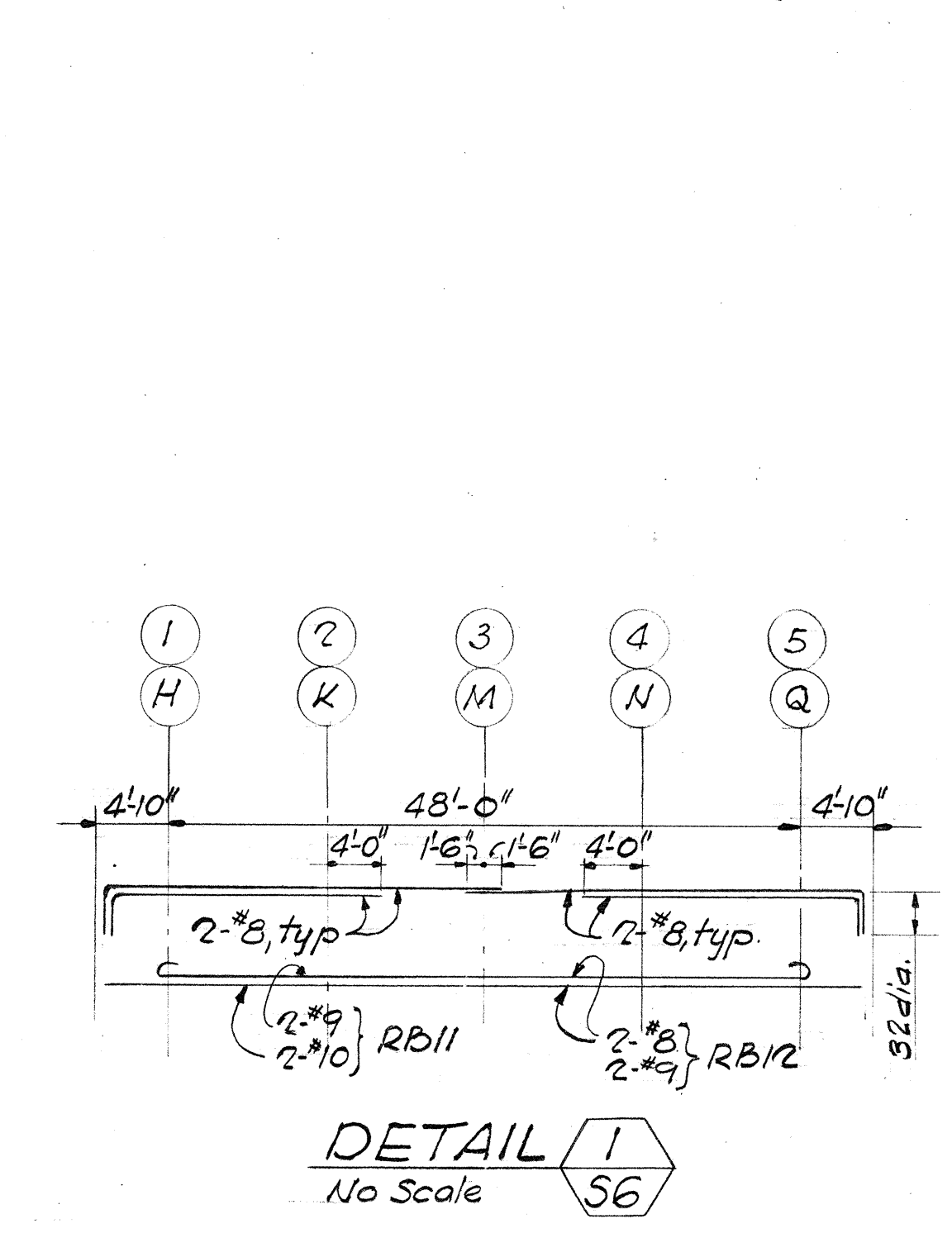




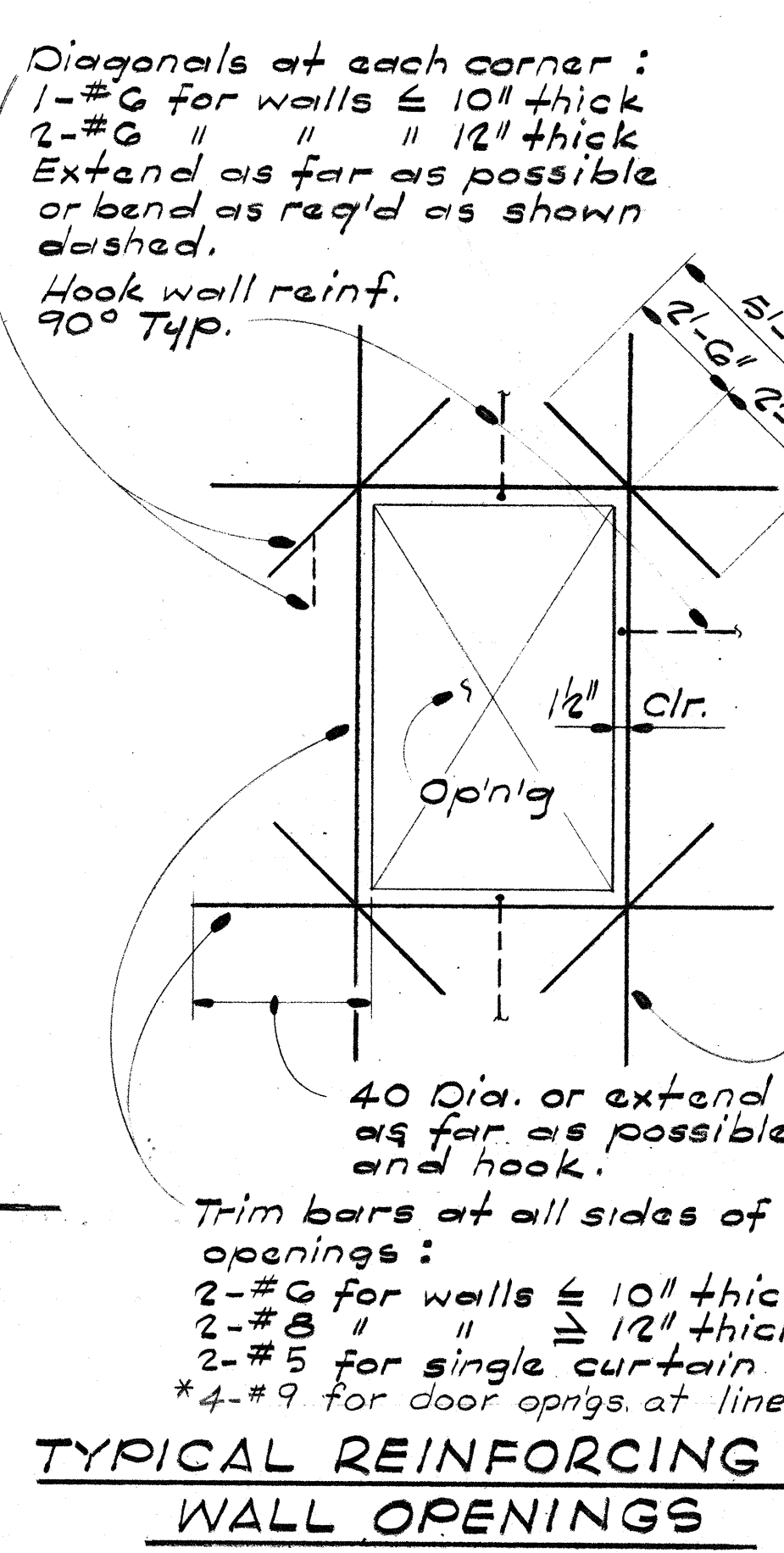
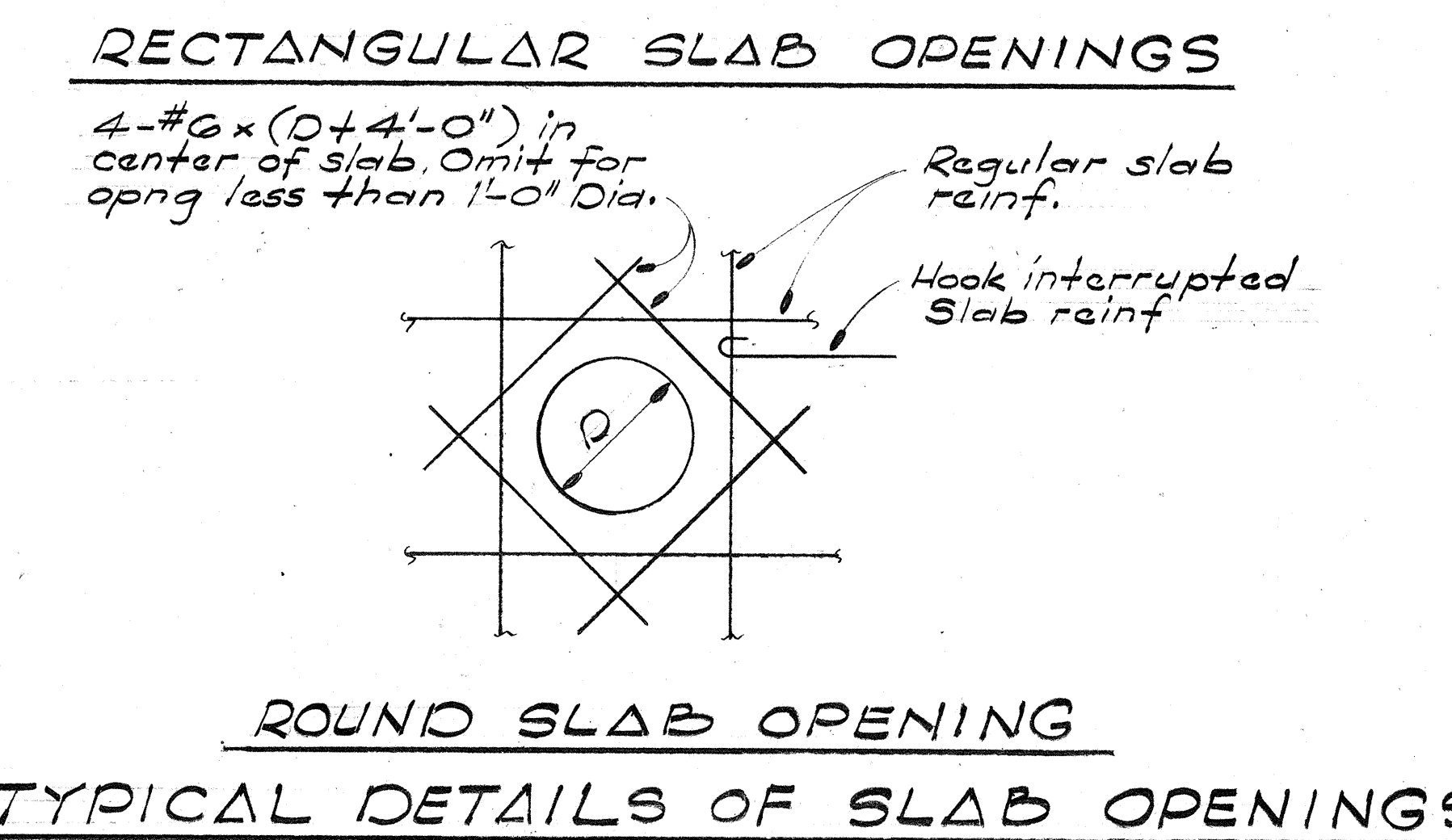
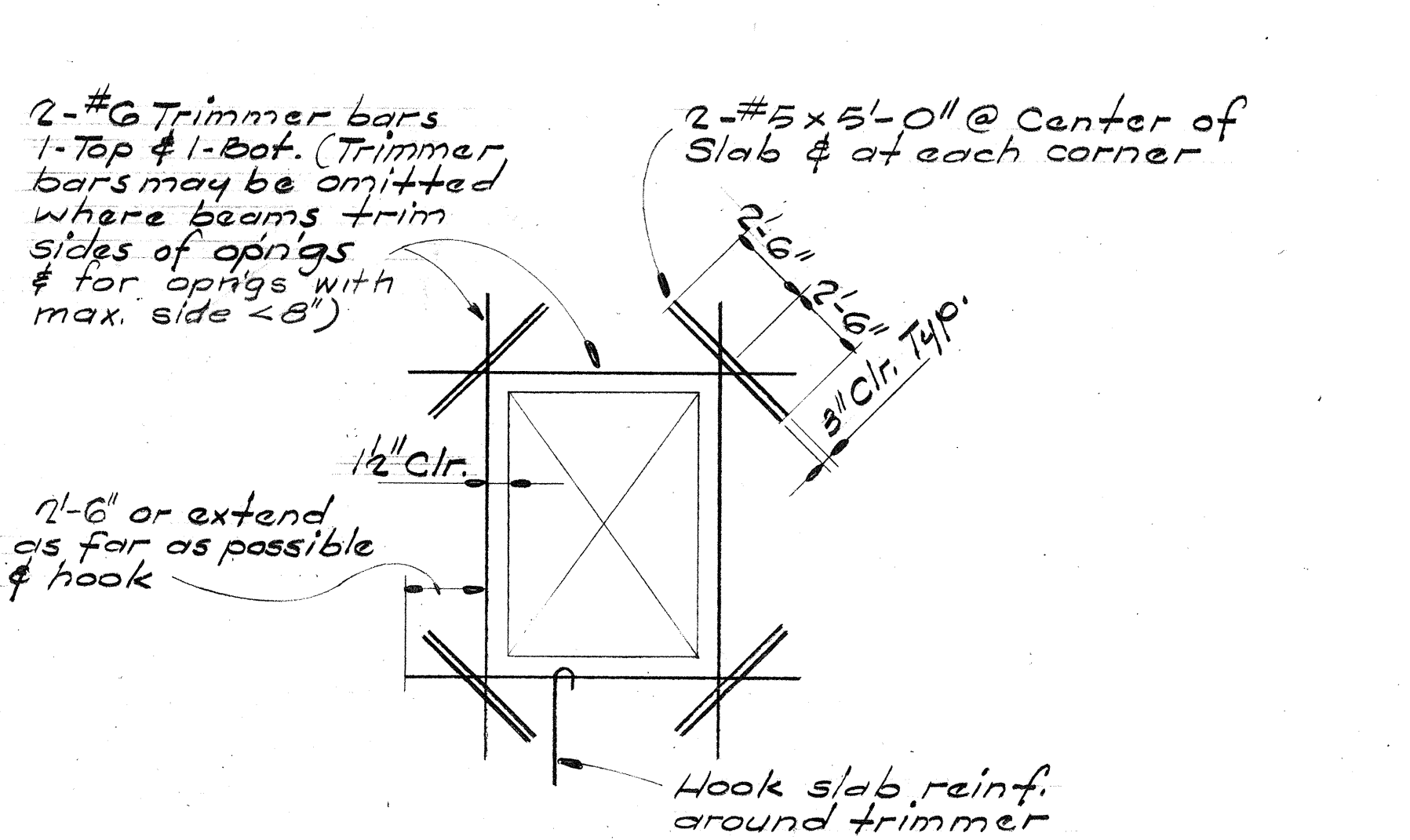
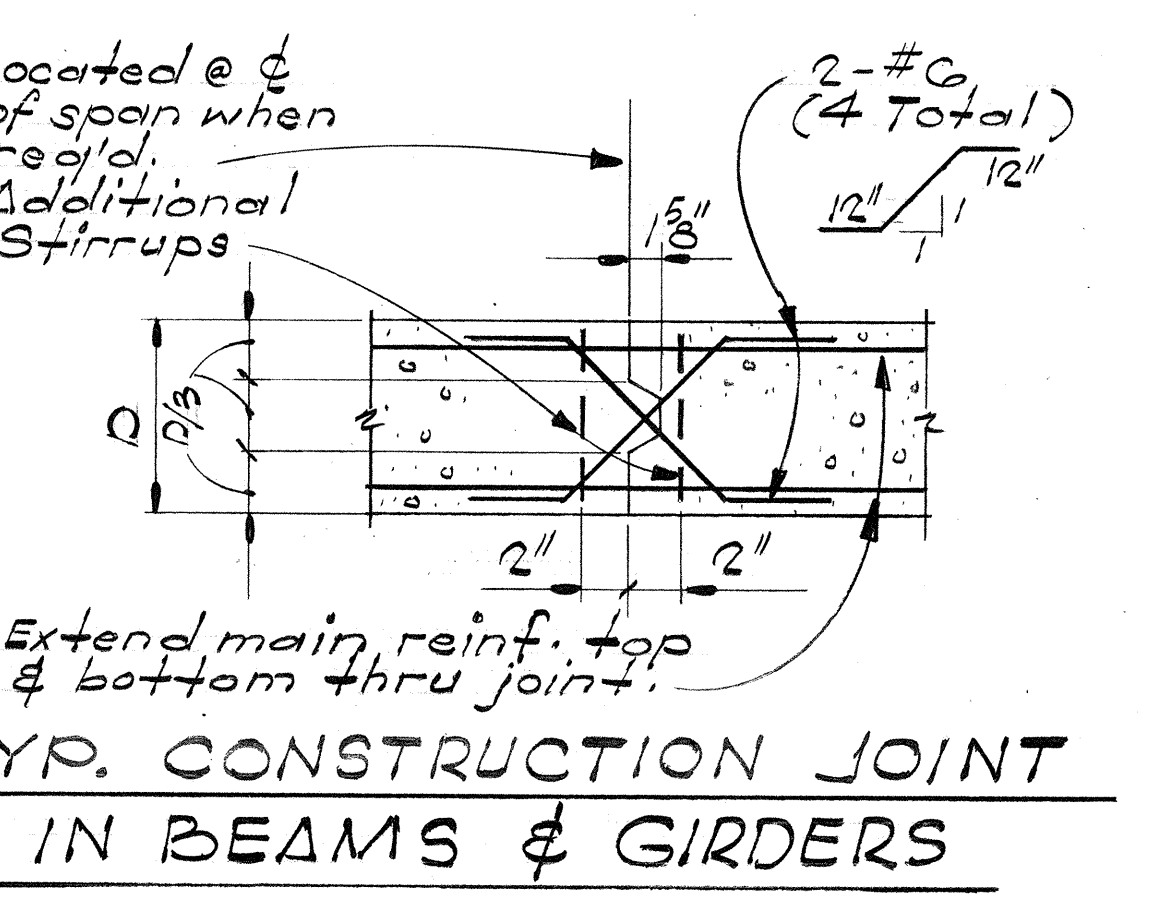
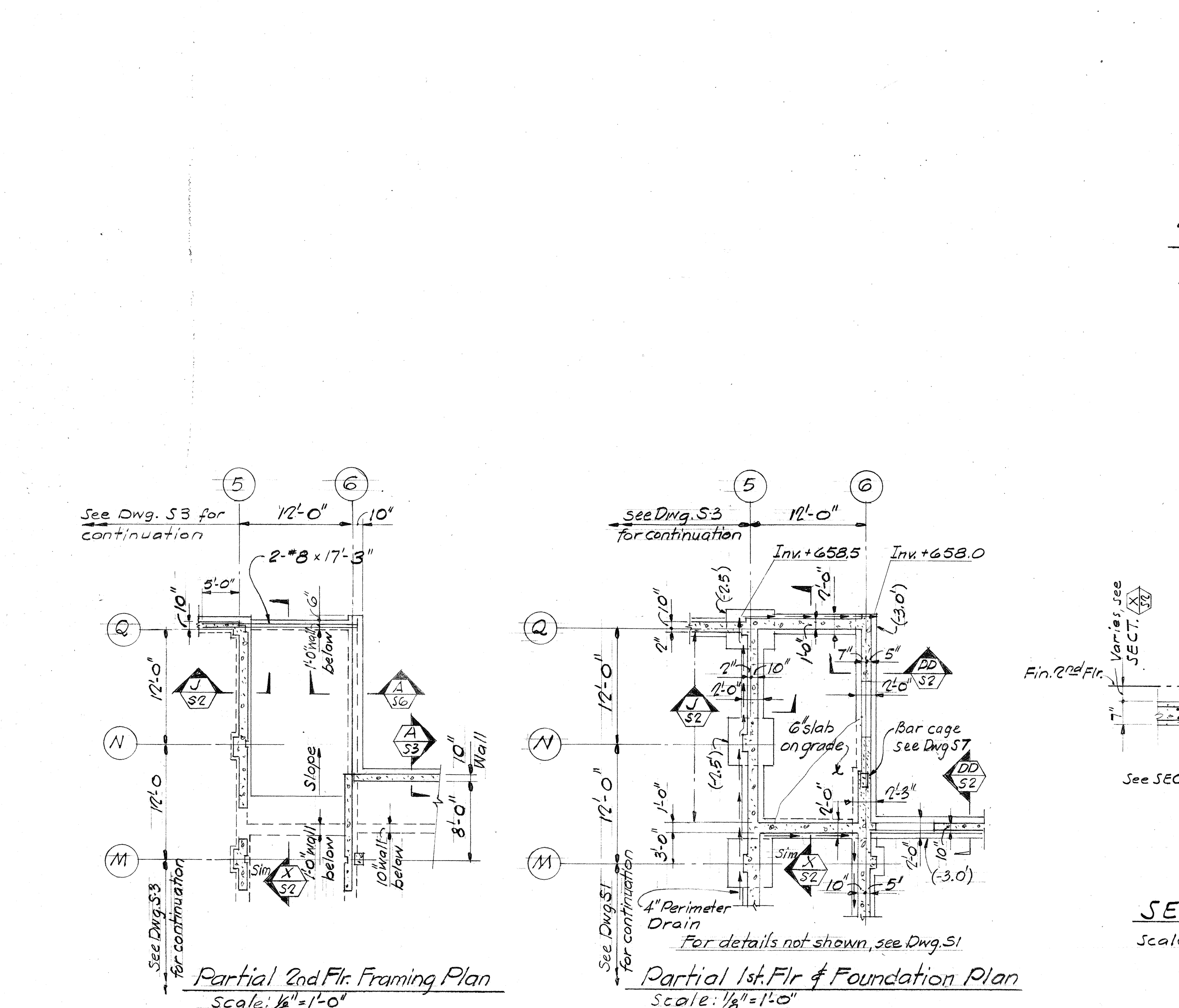
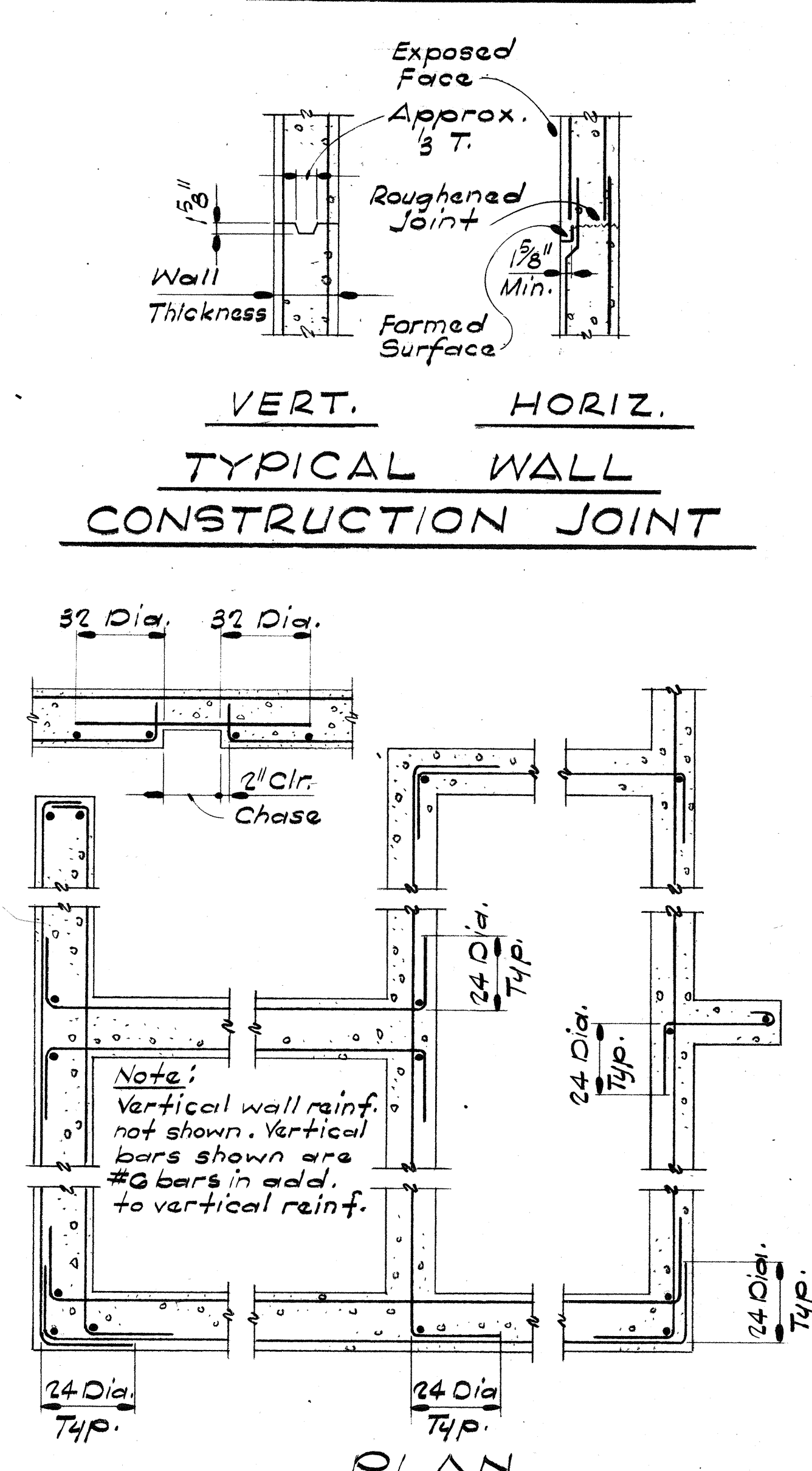
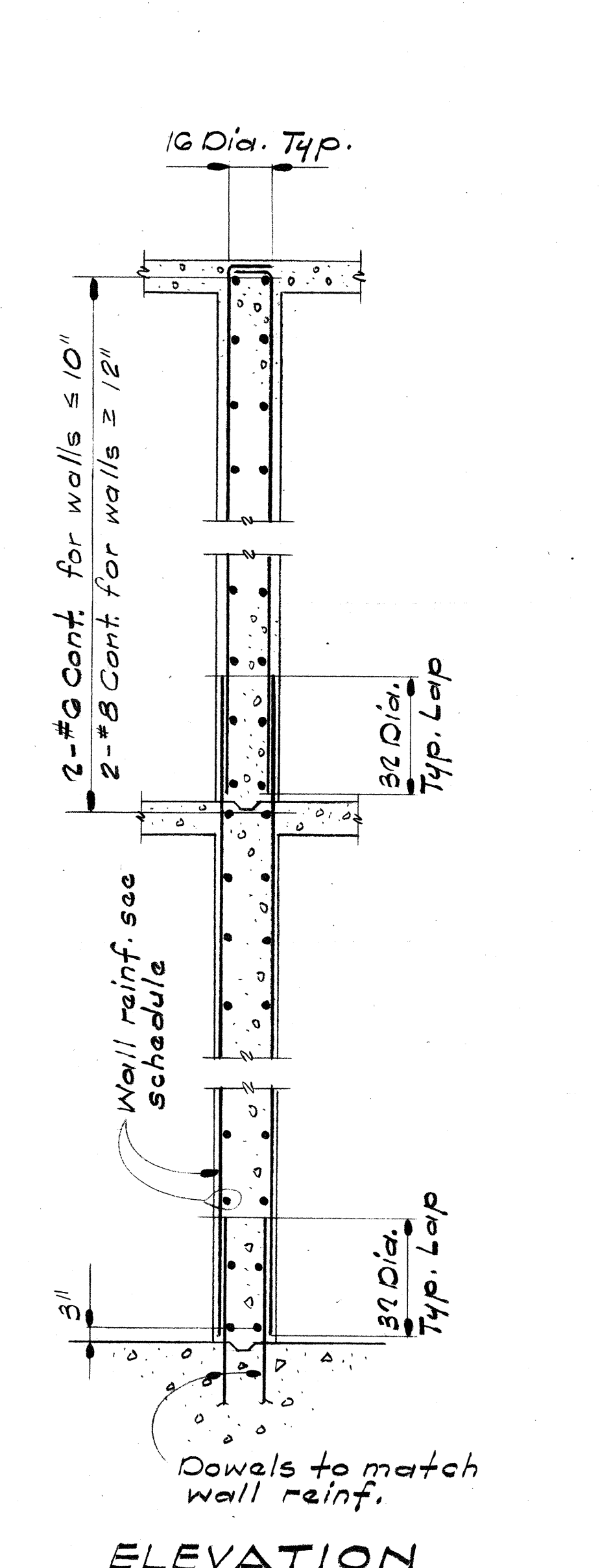
BEAM & GIRDER SCHEDULE										
BEAM MARK	SIZE D x D	REINFORCING					STIRRUPS		REFER TO NOTES	REMARKS
		A-BAR	B-BAR	C-BAR	D-BAR	T-BAR	SIZE	SPACING EA END		
B1	14 x 18	2-#8	1-#8	2-#6			#4	@12"	5	
B2	12 x 16	3-#7		2-#7			#4	@12"	5	
B3	14 x 20	2-#8	2-#8	2-#6			#4	@12"	5	
B4	14 x 20	3-#9		3-#9			#4	@12"	5	
B5	14 x 16	3-#8		2-#8			#4	@10"	5	
B6	14 x 30	3-#11		3-#10			#4	@12"	5	
B7	16 x 22	2-#9	2-#8	2-#8			#4	@12"	5	
B8	10 x 12	2-#7		2-#7			#3	@12"	5	
RB1	16 x 24	3-#8		3-#8			#4	@12"	5	3-#9 C-bars @ Line F
RB2	10 x 36	2-#9		2-#9			#4	@12"	5	
RB3	12 x 36	2-#9		2-#9			#4	@12"	5	
RB4	12 x 36	2-#9		2-#9	3-#9		#4	@12"	4	
RB5	12 x 36	2-#9		2-#9			#4	@12"	3+4	See SECT. 56
RB6	12 x 36	2-#9		2-#9	3-#9		#4	@12"	4	
RB7	16 x 24	4-#9		4-#7			#4	@12"	5	
RB8	10 x 16	2-#7		2-#7	2-#7		#3	@12"	4	
RB9	10 x 16	2-#7		2-#7			#3	@12"	3+4	
RB10	8 x 16	2-#6		2-#6			#3	@12"	5	
RB11	16 x 42	2-#10		4-#8			#4	20@9" @ 12"		See DETAIL 17
RB12	16 x 42	2-#10		4-#8			#4	20@9" @ 12"		A & C Bars Cont from RB-8 to Roof Edges Bottom
RB13	12 x 16	2-#8		2-#8			#3	@12"		
RB14	10 x 14	2-#8		2-#7			#3	@12"	5	

NOTES FOR BEAM & GIRDER SCHEDULE

- C-bars of each end.
- D-bars of each end.
- O-bars provided by adjacent span.
- Extend C & D-bars and lap 24 dia. at mid-span.
- Extend C-bars at each end and lap 24 dia. at mid-span. (In lieu of lap, C-bars may be continuous)

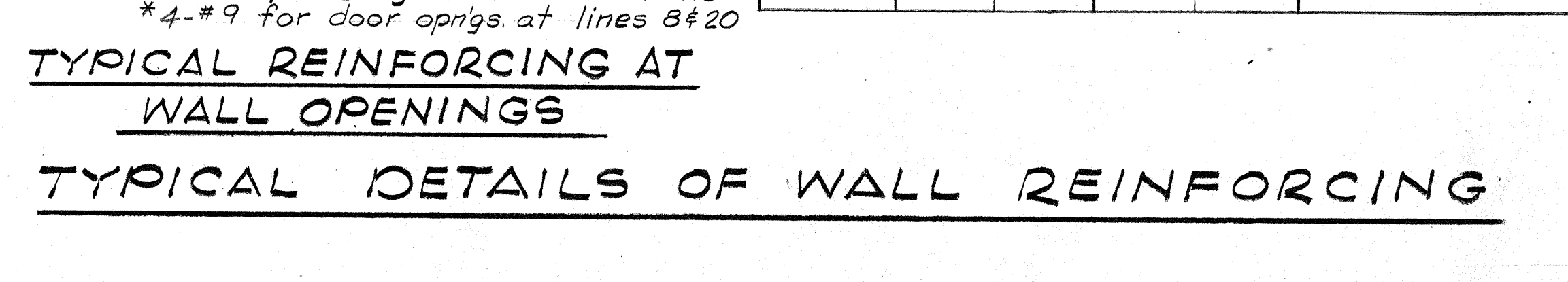
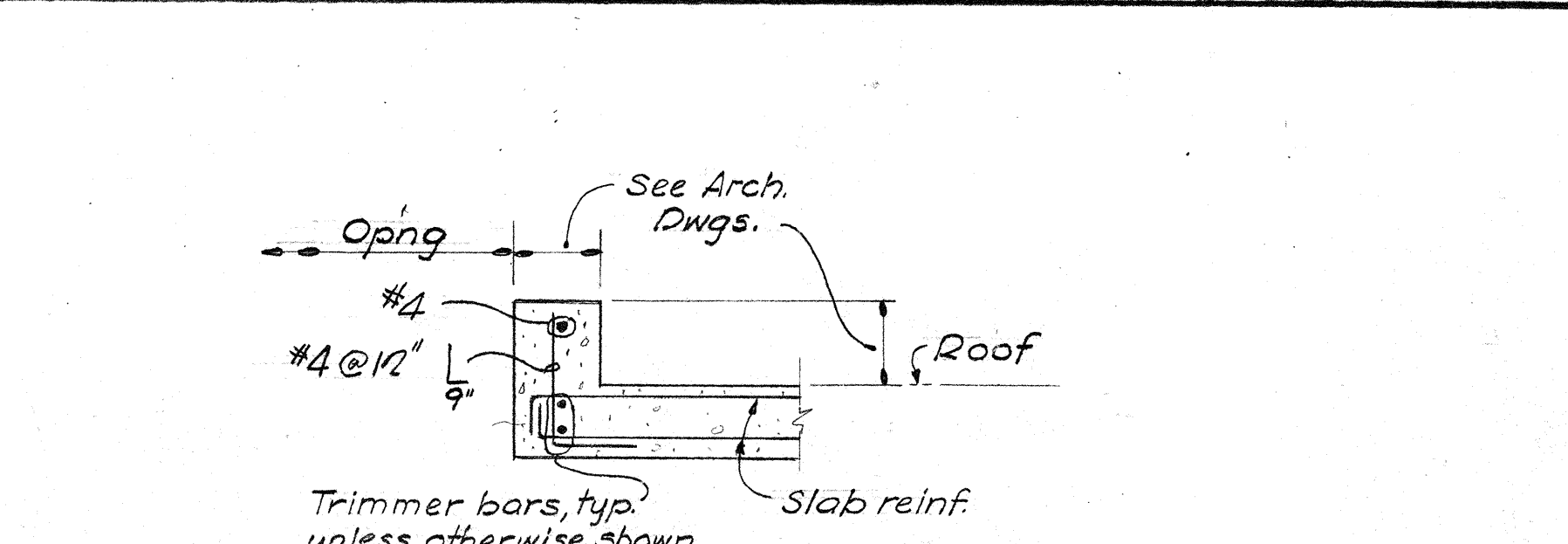


SLAB SCHEDULE						
SLAB MARK	SLAB THICKNESS T	REINFORCING			DISTRIBUTION BARS TOP & BOT.	REMARKS
		A-BAR	B-BAR	C-BAR		
S1	6"	4 @ 18"	4 @ 18"	4 @ 18"	4 @ 18"	
S2	6"	4 @ 12"		4 @ 12"	4 @ 18"	
S3	6"	4 @ 15"	4 @ 15"	4 @ 15"	4 @ 18"	
S4	6"	4 @ 12"		4 @ 12"		two way slab
S5	6"	5 @ 18"	5 @ 18"	5 @ 18"	4 @ 18"	
RS1	5"	4 @ 15"	4 @ 15"	4 @ 15"	4 @ 18"	
RS2	5"	4 @ 12"		4 @ 12"	4 @ 18"	
RS3	5"	4 @ 15"	4 @ 15"	4 @ 15"	4 @ 18"	
RS4	5"	4 @ 12"		4 @ 12"	4 @ 18"	
RS5	6"	4 @ 12"	4 @ 12"	4 @ 12"	4 @ 18"	
RS6	5"	4 @ 12"		4 @ 12"		Two-way slab



MIN. CLEARANCE BETW. REINF. & FACE OF CONCRETE WALLS			
	FORMED ABOVE GRADE	FORMED BELOW GRADE	UNFORMED
EXTERIOR FACE	1 1/2"	2"	3"
INTERIOR FACE	1"	2"	3"

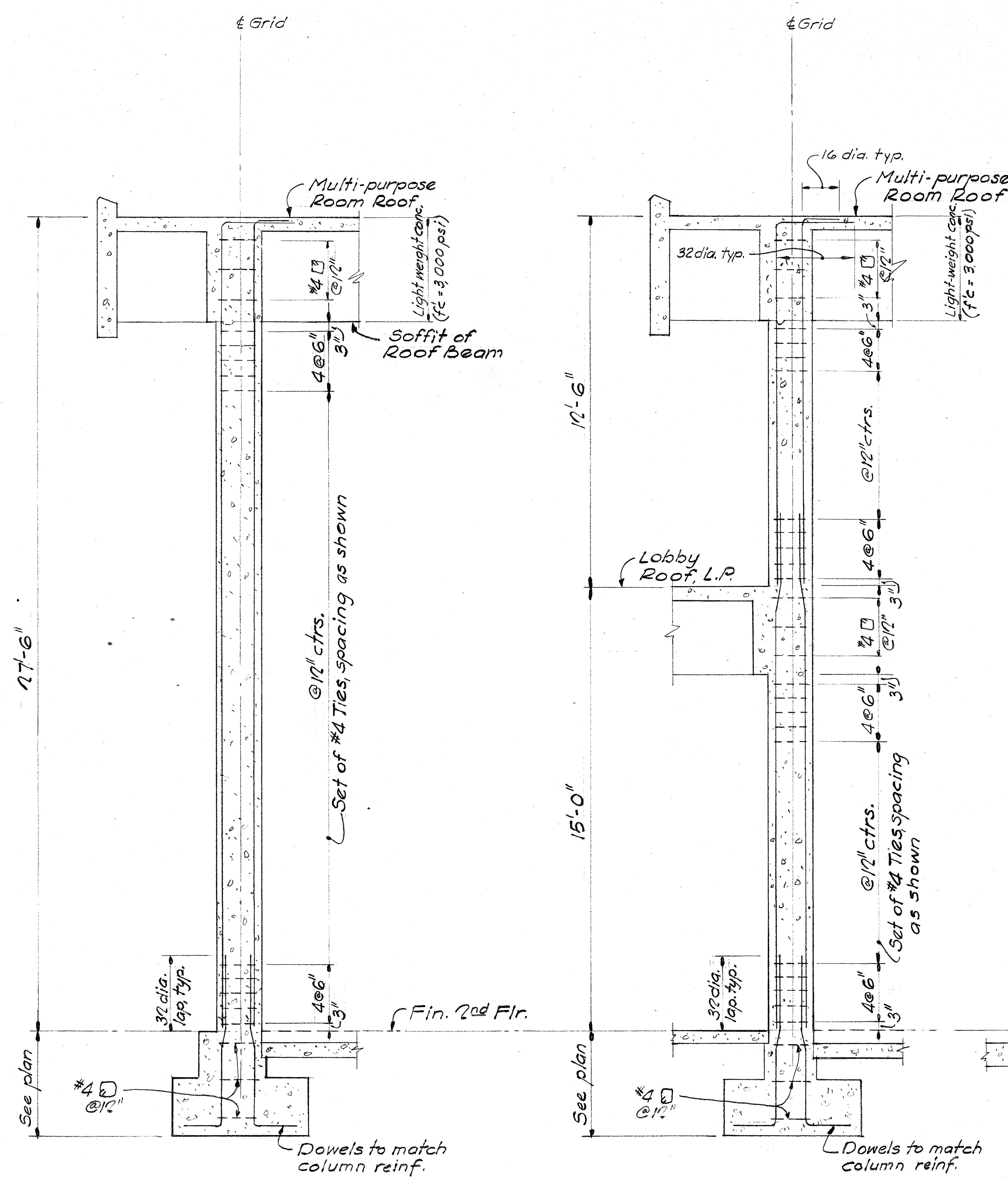
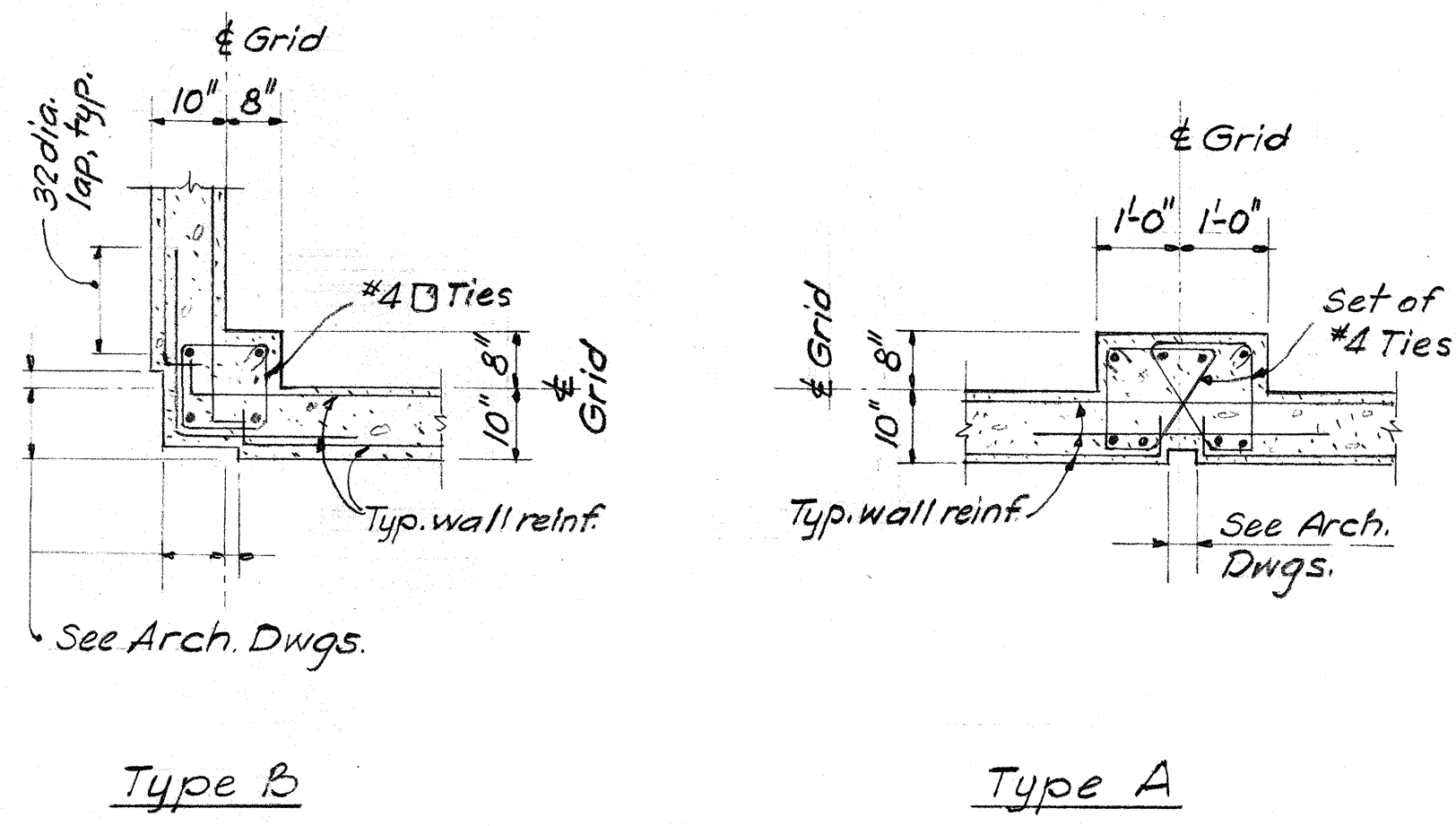
CONCRETE WALL SCHEDULE				
WALL THICKNESS	HORIZONTAL SIZE	VERTICAL SIZE	REINFORCING	REMARKS
6"	4"	16'	4 @ 16"	Double Curtain
10"	4"	12'	4 @ 12"	Double Curtain
12"	4"	12'	4 @ 12"	Double Curtain
15"	5"	12'	5 @ 12"	Double Curtain



BLDG. 'A' ALTERNATE WITHOUT POOL EQUIPMENT ROOM

Note: See General Notes & Notes on Dwg. S1

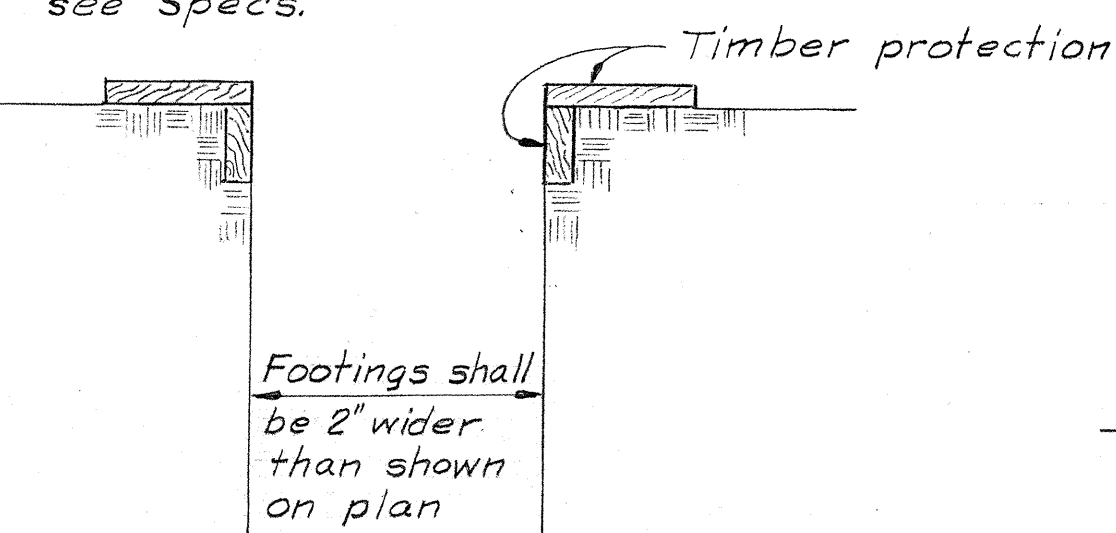
MULTI-PURPOSE ROOM COLUMN SCHEDULE						
Multi-purpose Room Roof						
Lobby Roof	8'-10"	8'-9"	4'-8"			
Fin. 2nd Flr.	8'-10"	8'-9"	4'-8"	8'-10"	8'-9"	4'-8"
Elevation	I	I	I	II	II	II
Type	A	A	B	A	A	B
Columns	H3	H4	H5	M1	K1 K5	H1
				Q3	Q2 Q4	Q5



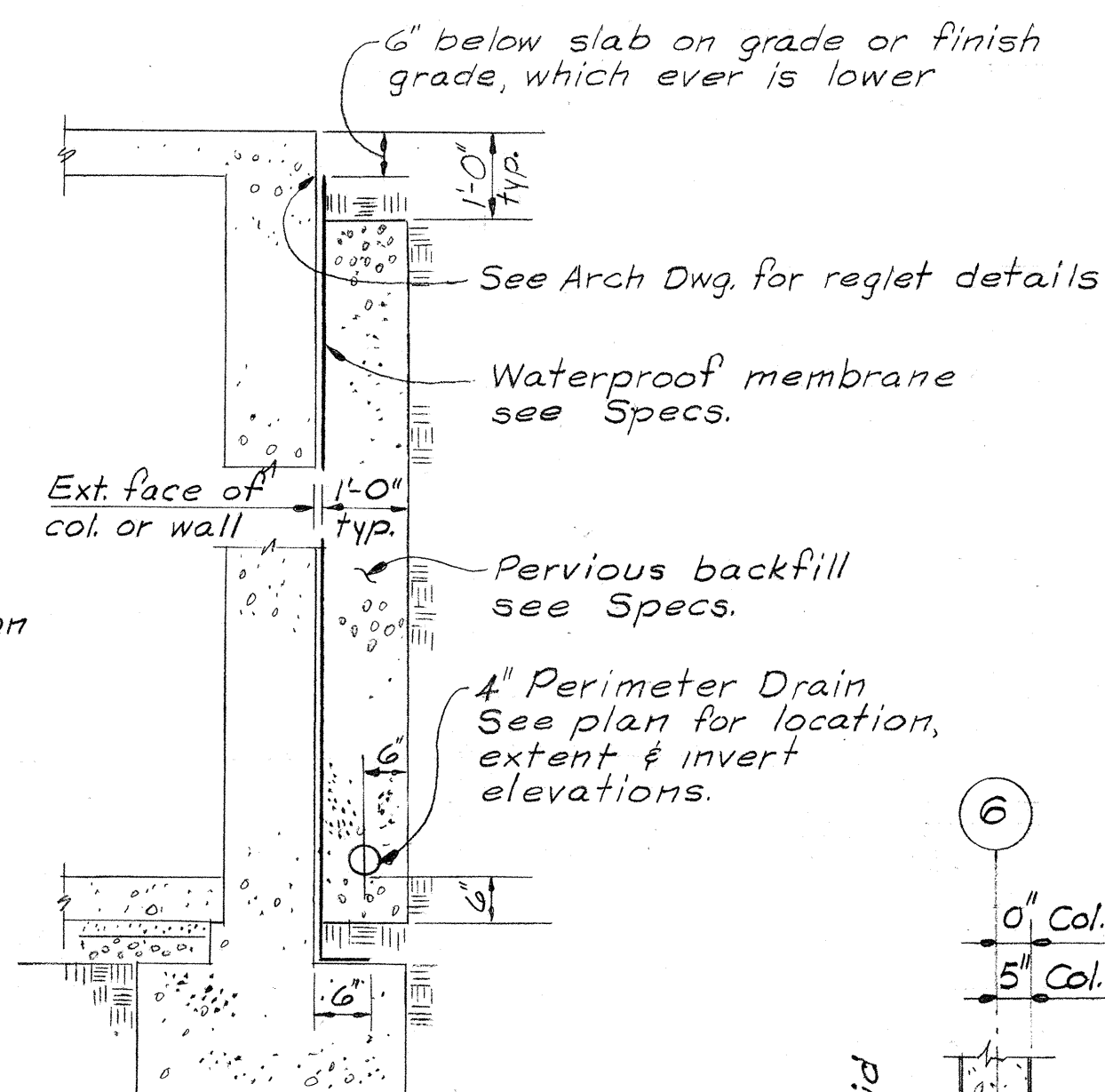
MULTI-PURPOSE ROOM COLUMN ELEVATIONS & DETAILS

When footings are trenched or placed against sides of excavation, sufficient timber protection, securely staked, shall be provided to prevent failure of excavation walls during placing of concrete or the mixing of loose earth with concrete.

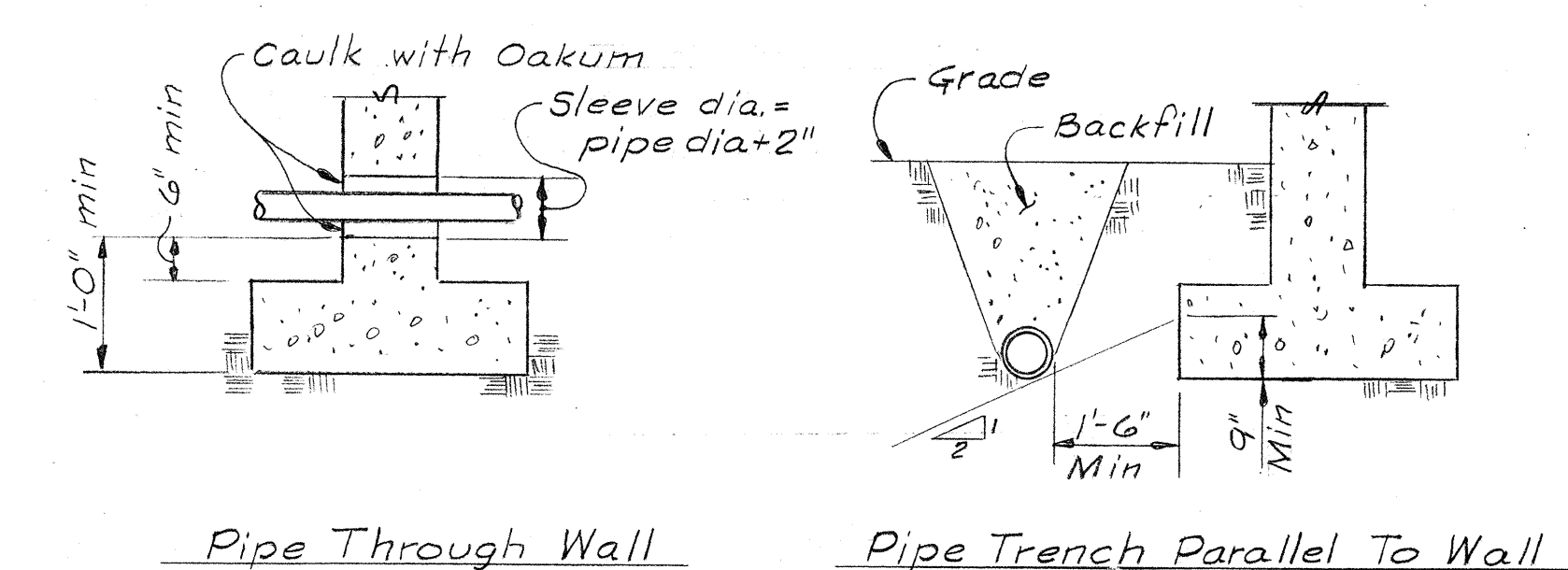
Note: All footings shall be formed unless specifically approved by the engineer and the office of Architecture and Construction, see Specs.



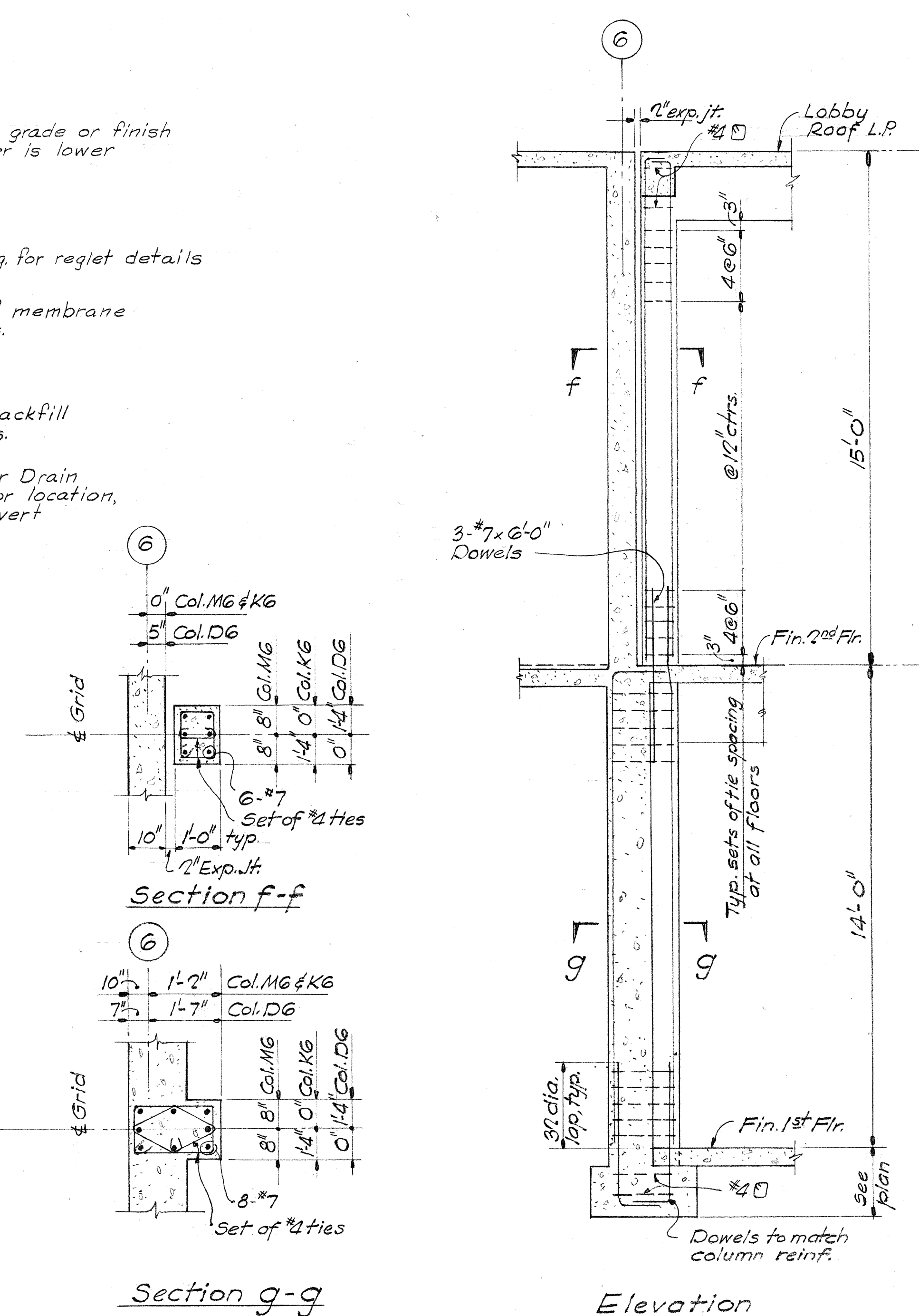
TYPICAL DETAIL FOR UNFORMED FOOTINGS



DETAIL 2/57



TYPICAL DETAILS OF PIPES AT FOUNDATION WALLS



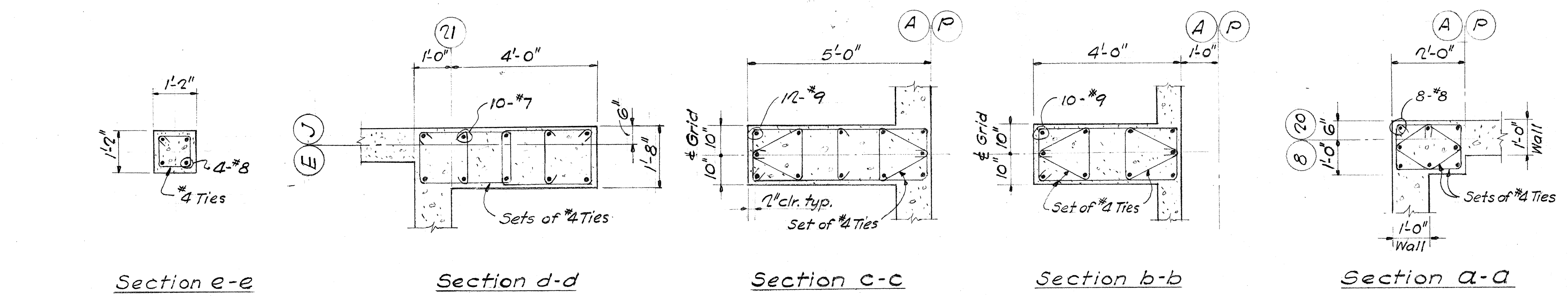
DETAILS - COLUMNS M6, K6 & D6

Typical Interior Columns

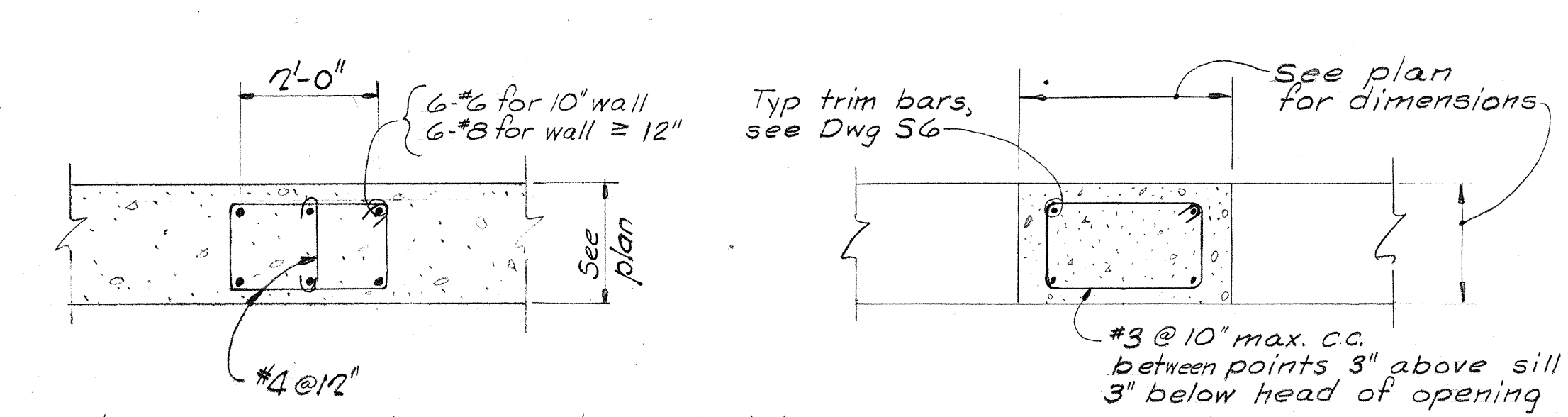
Col's. E21 & J21

Typical Exterior Columns

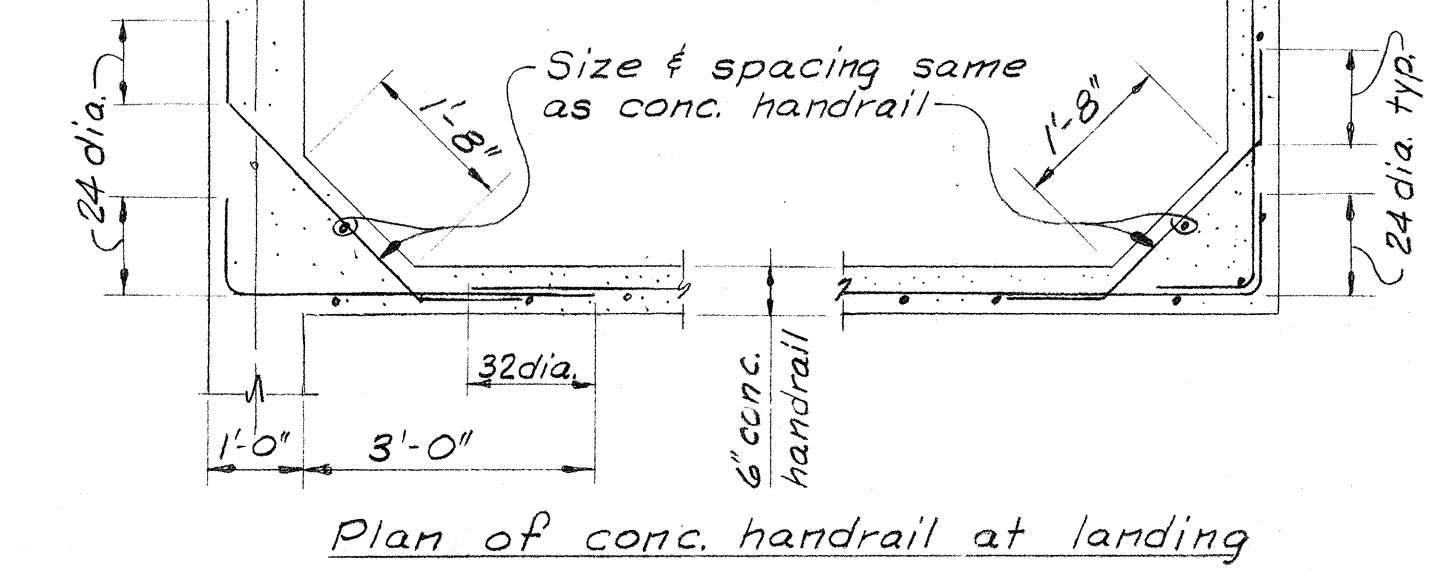
Typical Corner Columns



GYMNASIUM COLUMN ELEVATIONS AND DETAILS



TYPICAL BAR CAGE DETAIL



DETAIL 1/57

COLUMN SCHEDULE & DETAILS		
SCALE	None	
DATE	2-20-67	
JOB NO.	54-90	

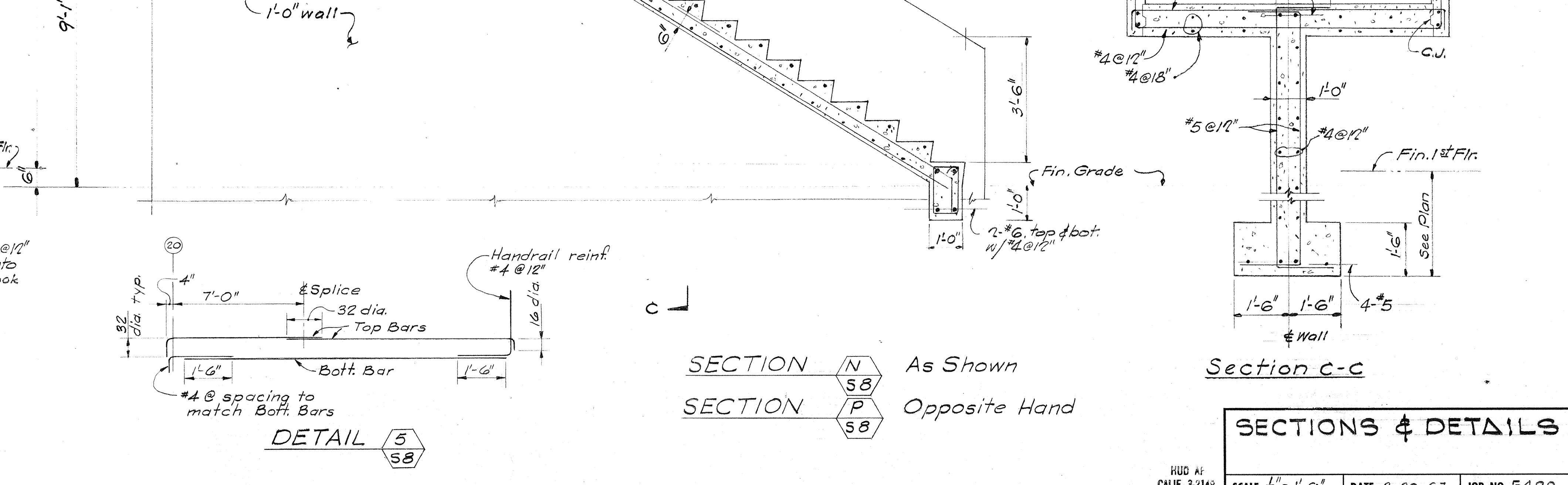
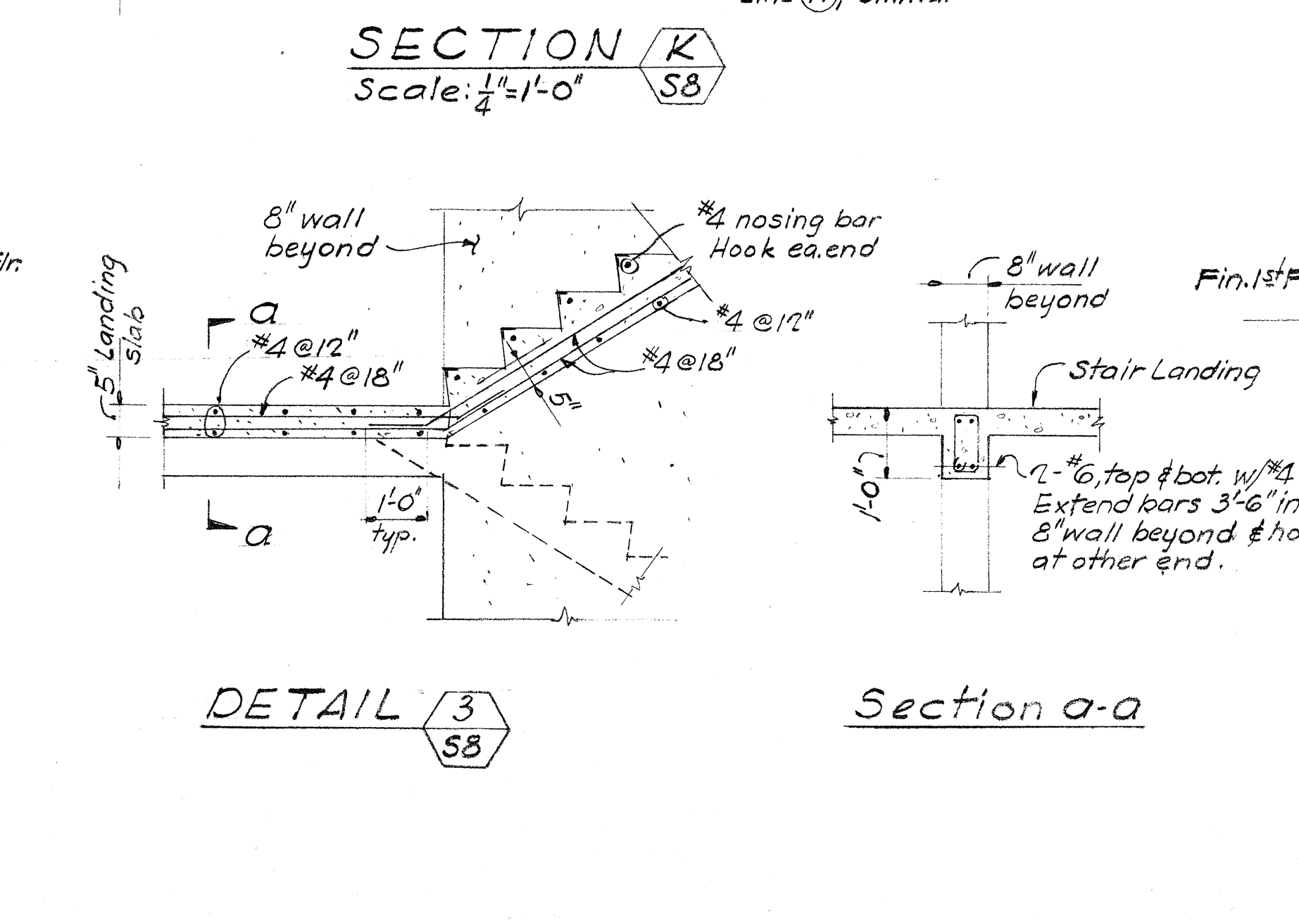
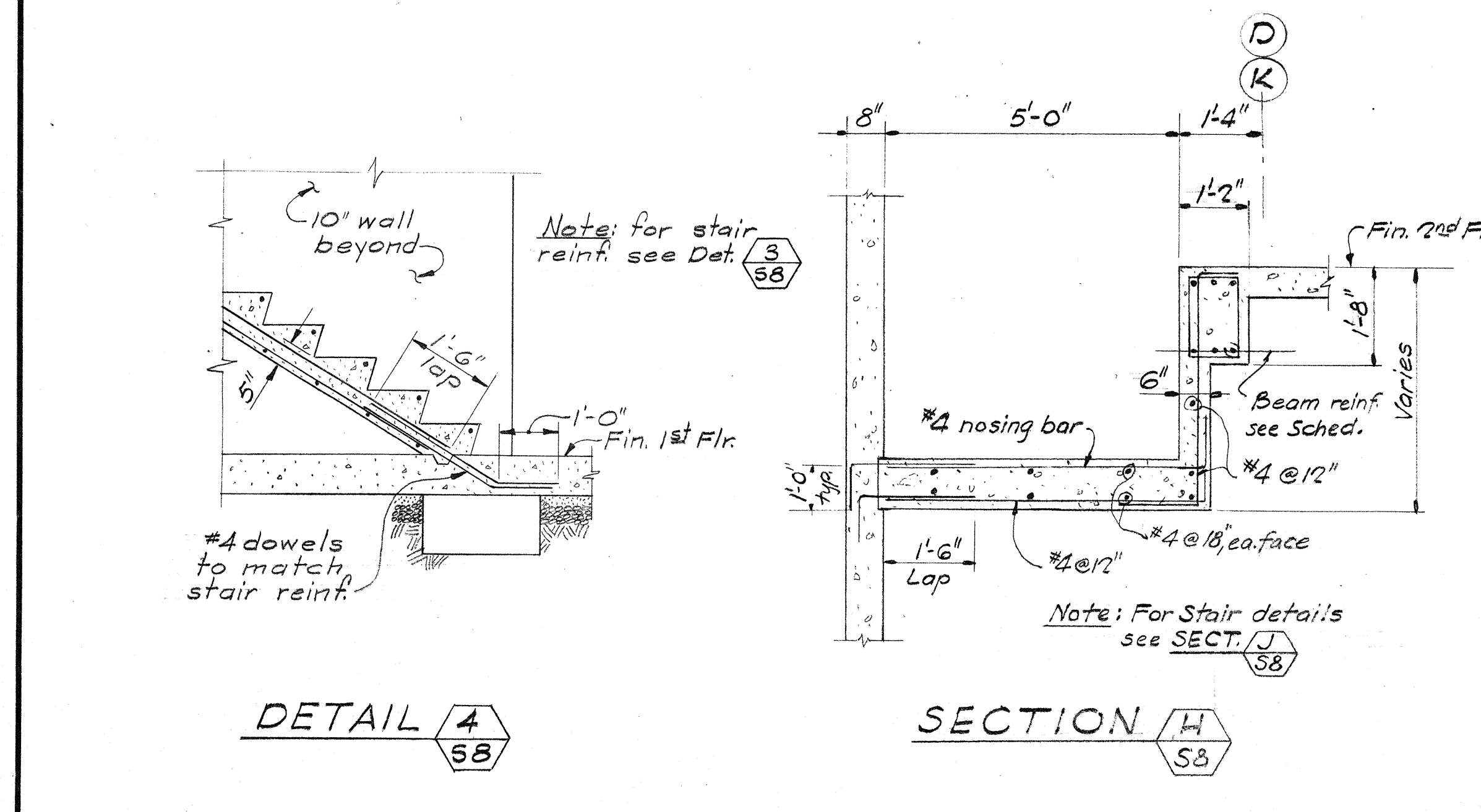
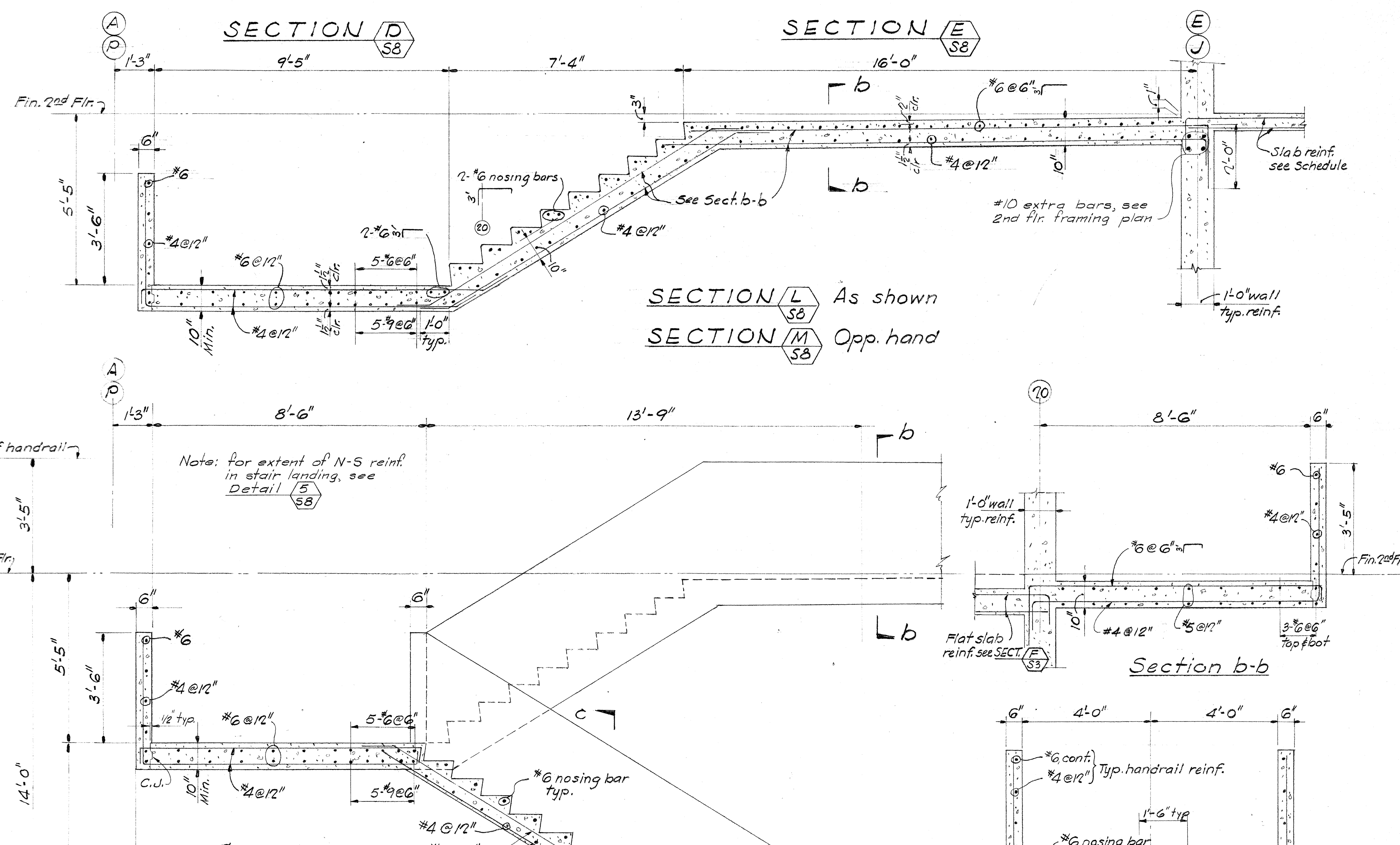
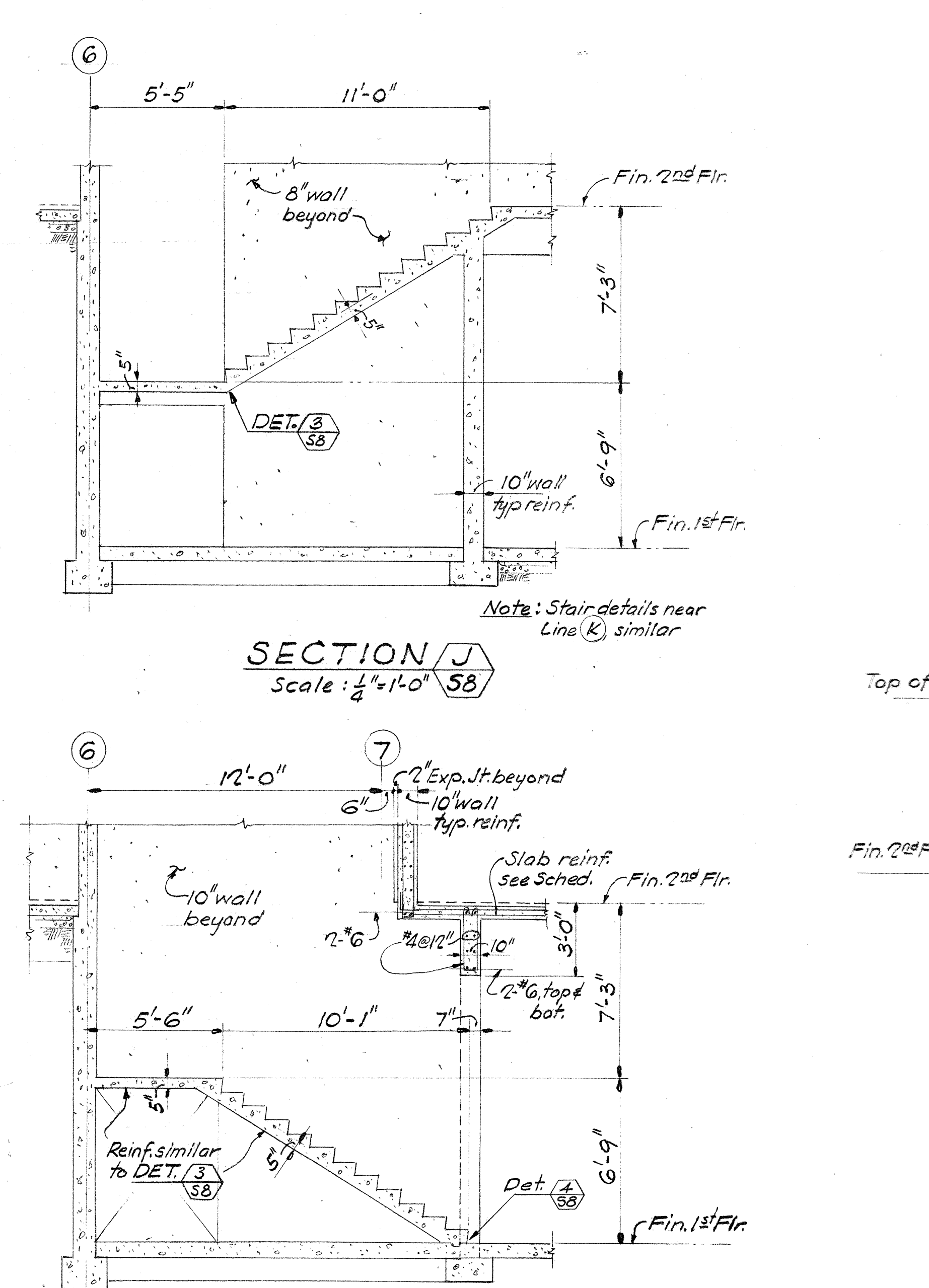
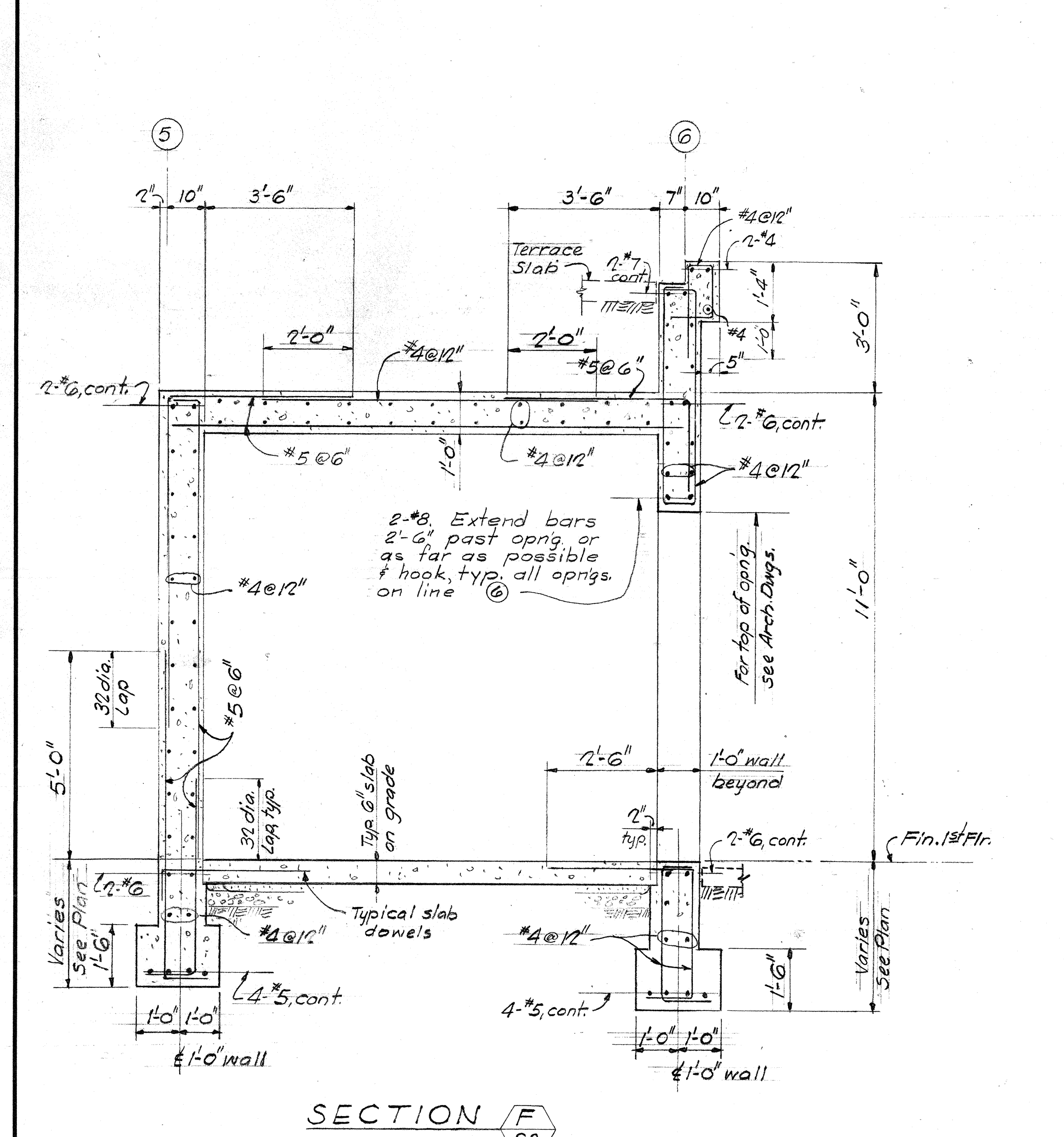
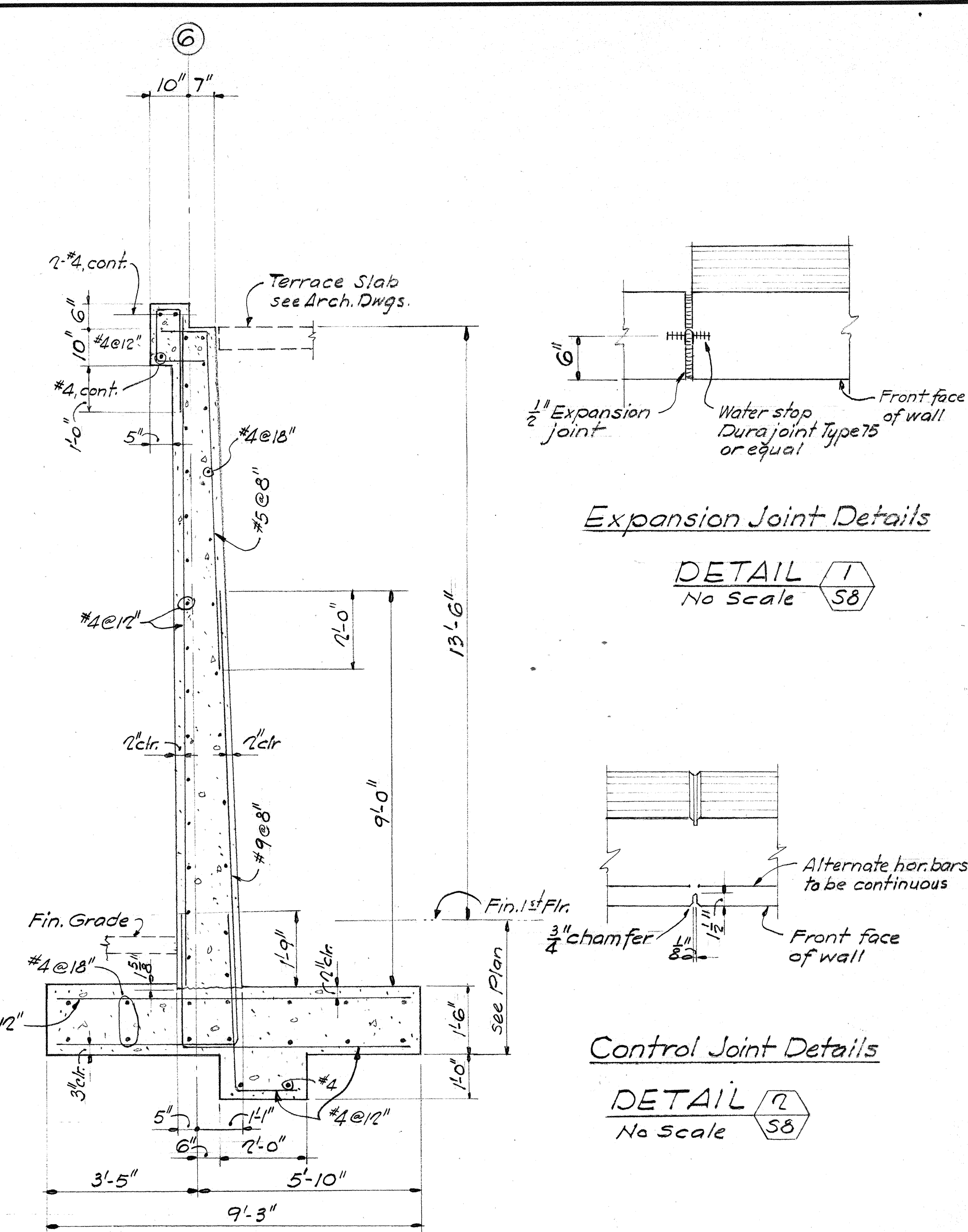
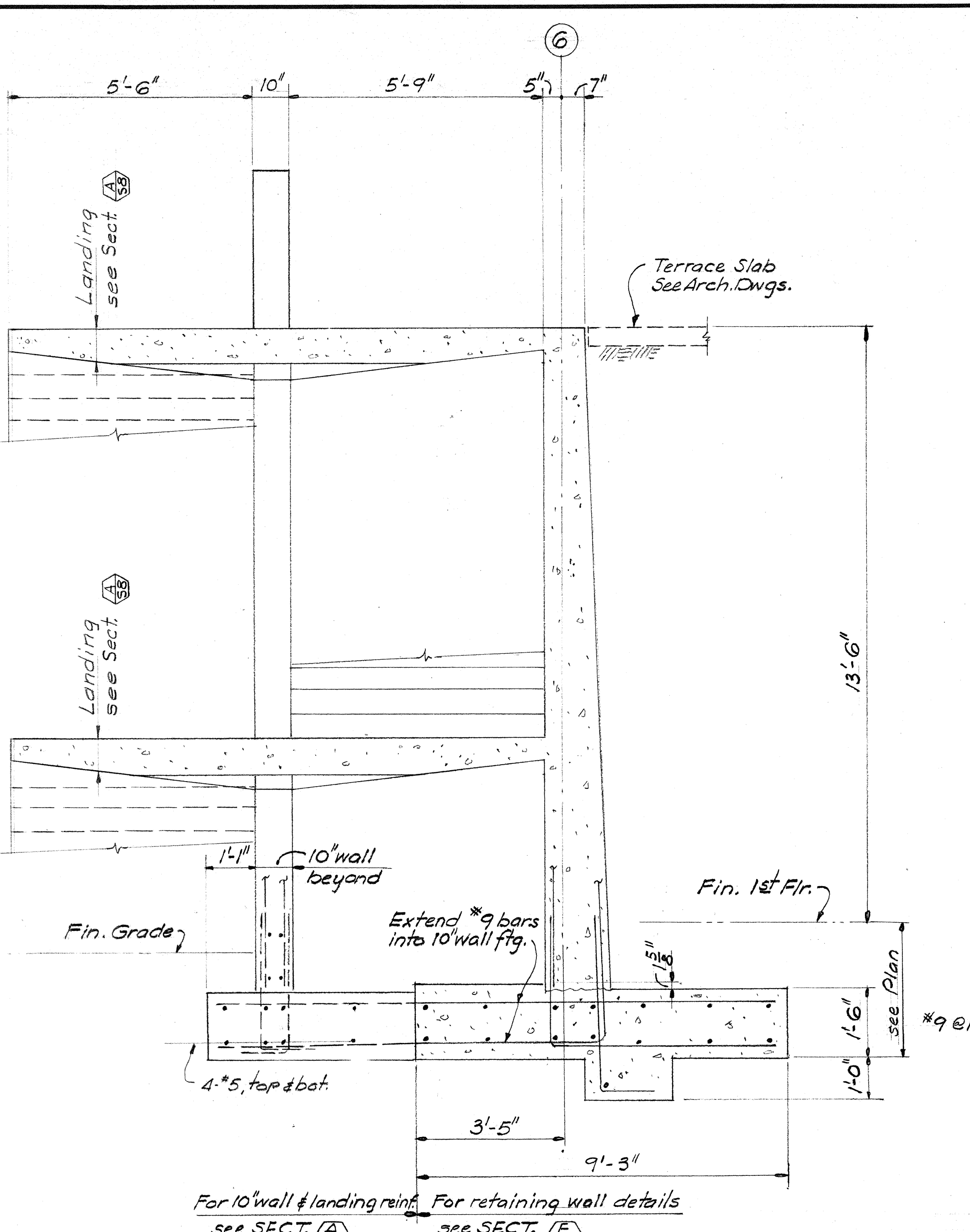
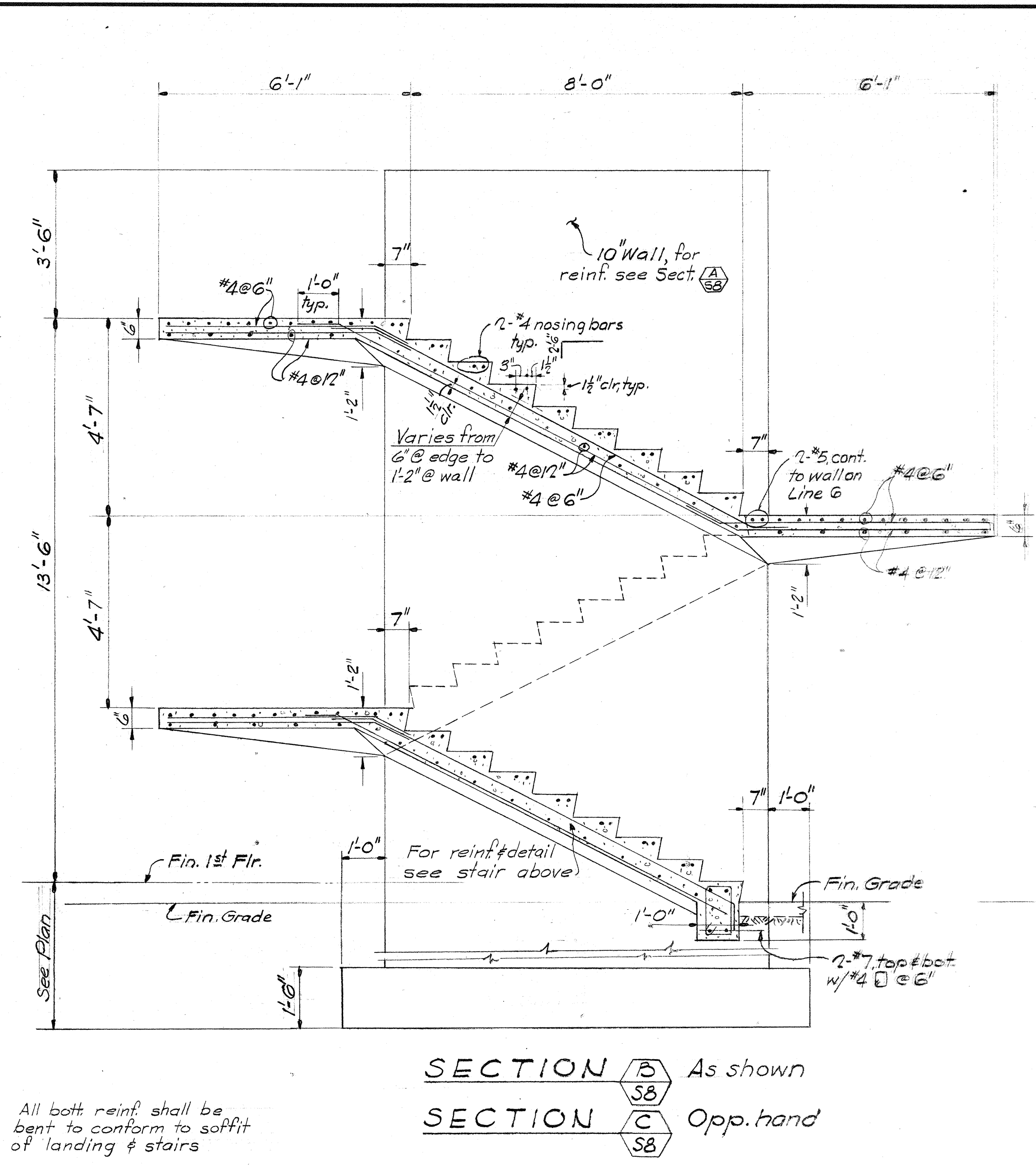
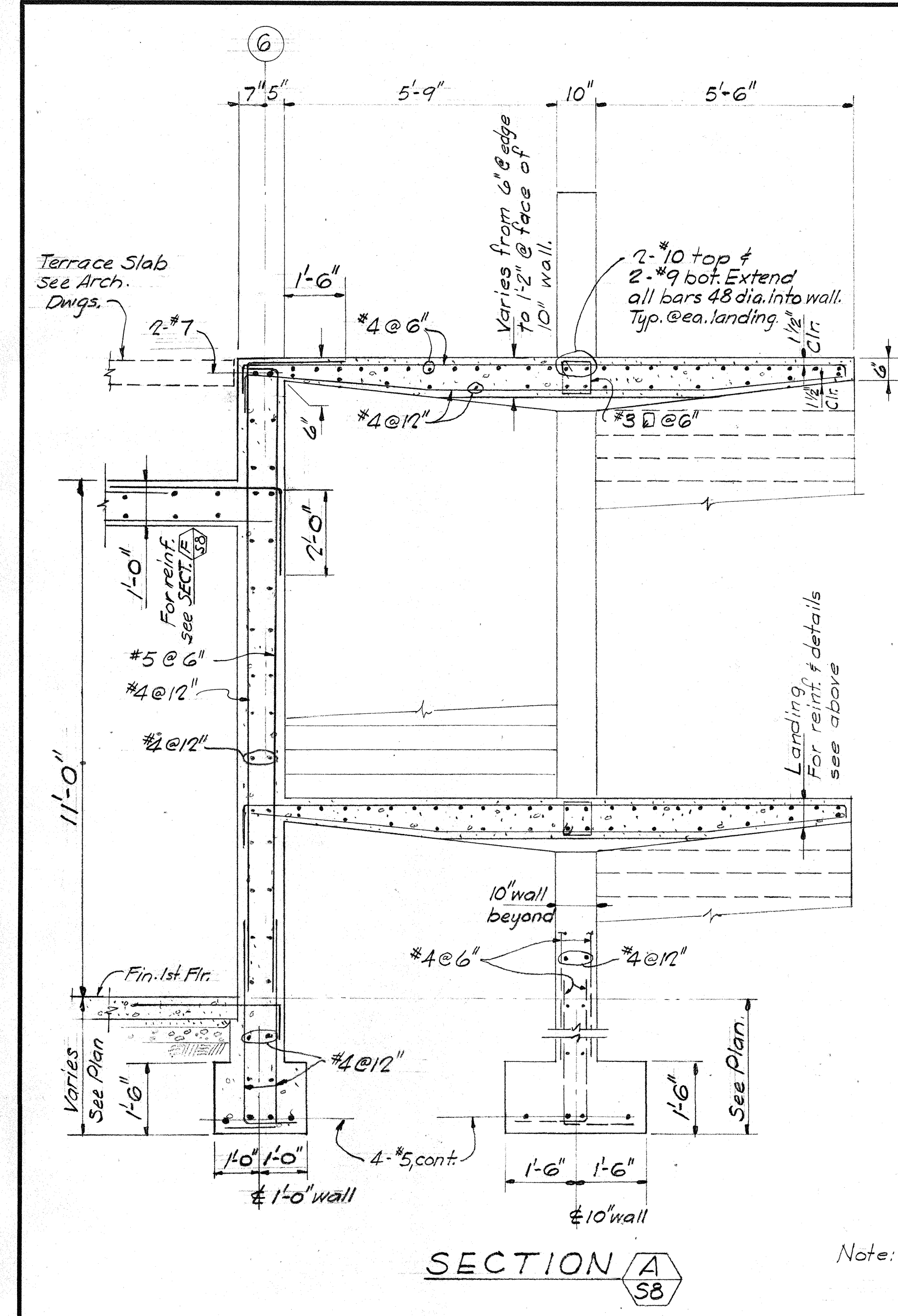
JOHN A. BLUME & ASSOC., ENGINEERS CIVIL & STRUCTURAL ENGINEERS MECHANICAL & ELECTRICAL ENGINEERS LANDSCAPE ARCHITECT SAN FRANCISCO, CALIFORNIA

WELTON BECKETT AND ASSOCIATES - CHAN/RADER AND ASSOCIATES ARCHITECTS 153 MAIDEN LANE, SAN FRANCISCO, CALIFORNIA

SAN MATEO JUNIOR COLLEGE DISTRICT SOUTH CAMPUS REDWOOD CITY, CALIFORNIA

WALTER V. FASANO BUSINESS MANAGER SAN MATEO JUNIOR COLLEGE DISTRICT

BLDG. "A"

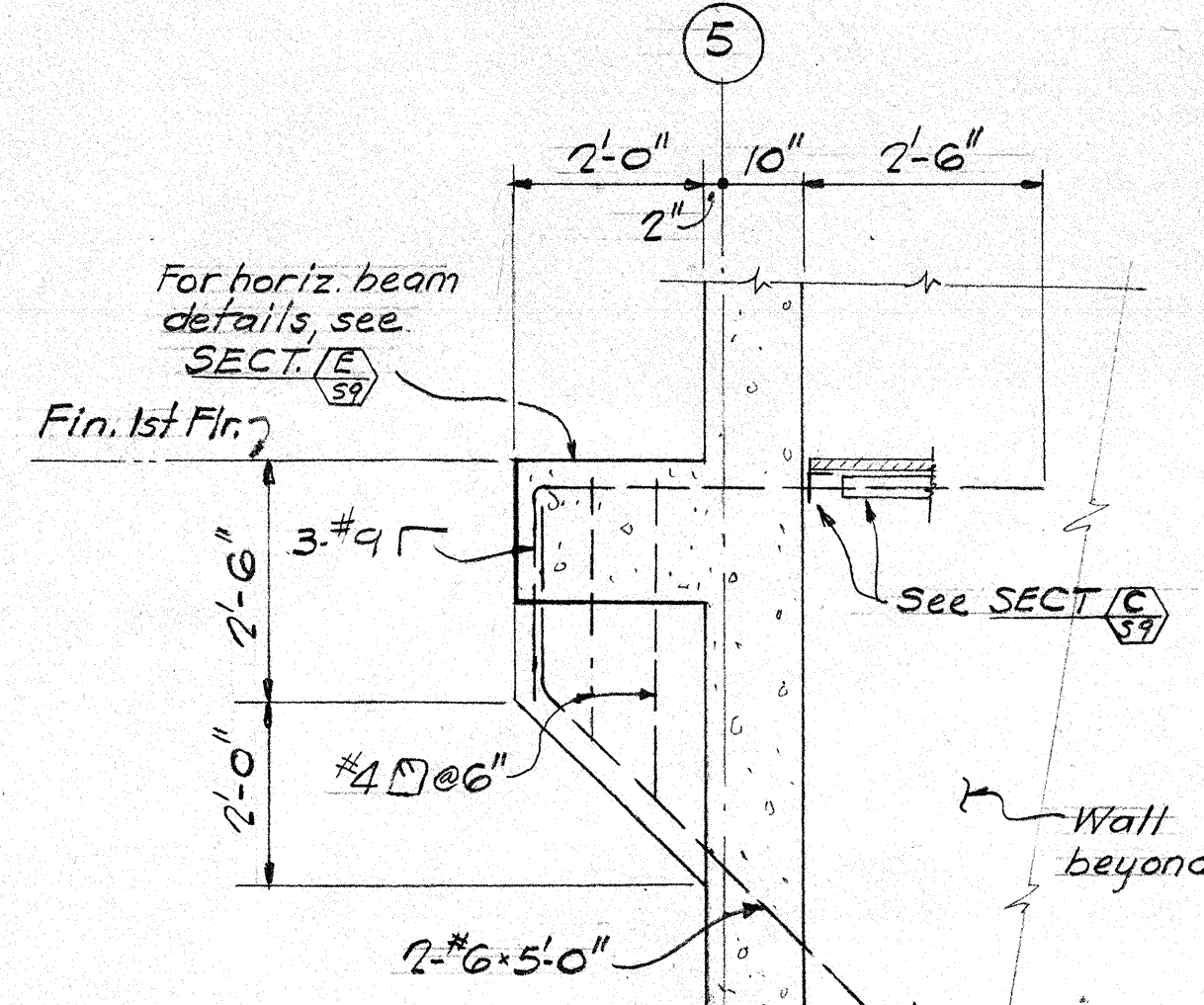
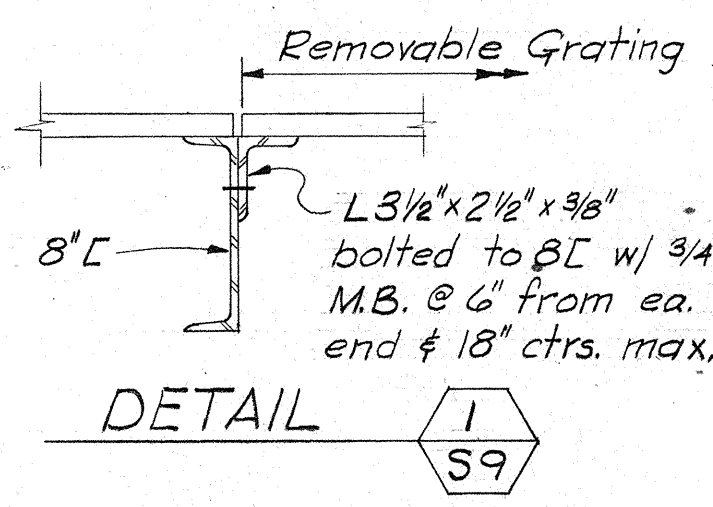


SECTIONS & DETAILS
BLDG. "A"

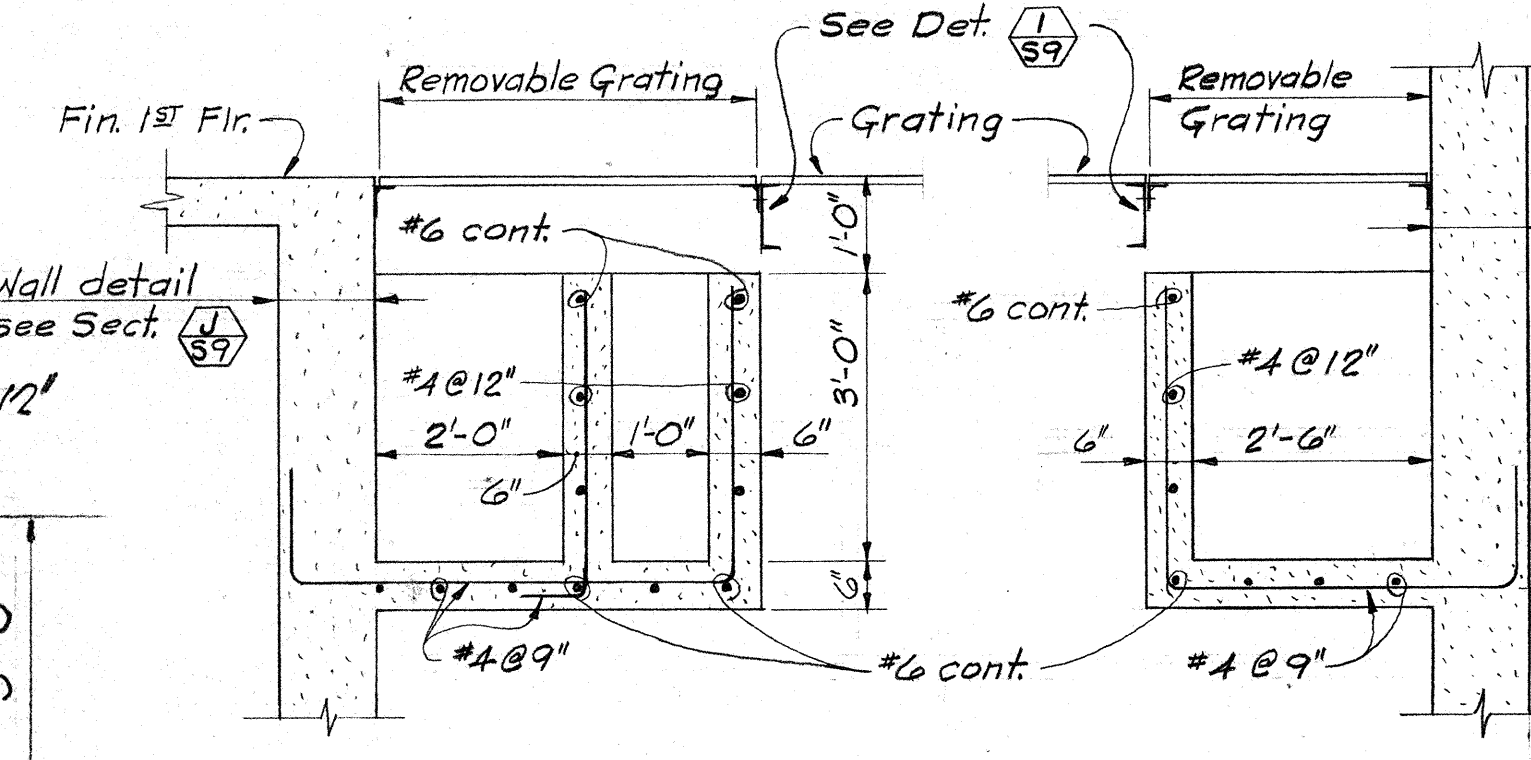
Grating: Grating bars
 1 1/4" x 3/16" @ 1 1/2" ctrs.
 Cross bars & 4" max ctrs.
 Hot Dip Galvanize after
 fabrication. Typical.
 Span grating bars
 in short direction.

Typical BC to BC Conn. Typical BC to Concrete Conn. Typical L to Concrete Conn.

SECTION A S9 SECTION B S9 SECTION C S9
 Scale: 1/4" = 1'-0"

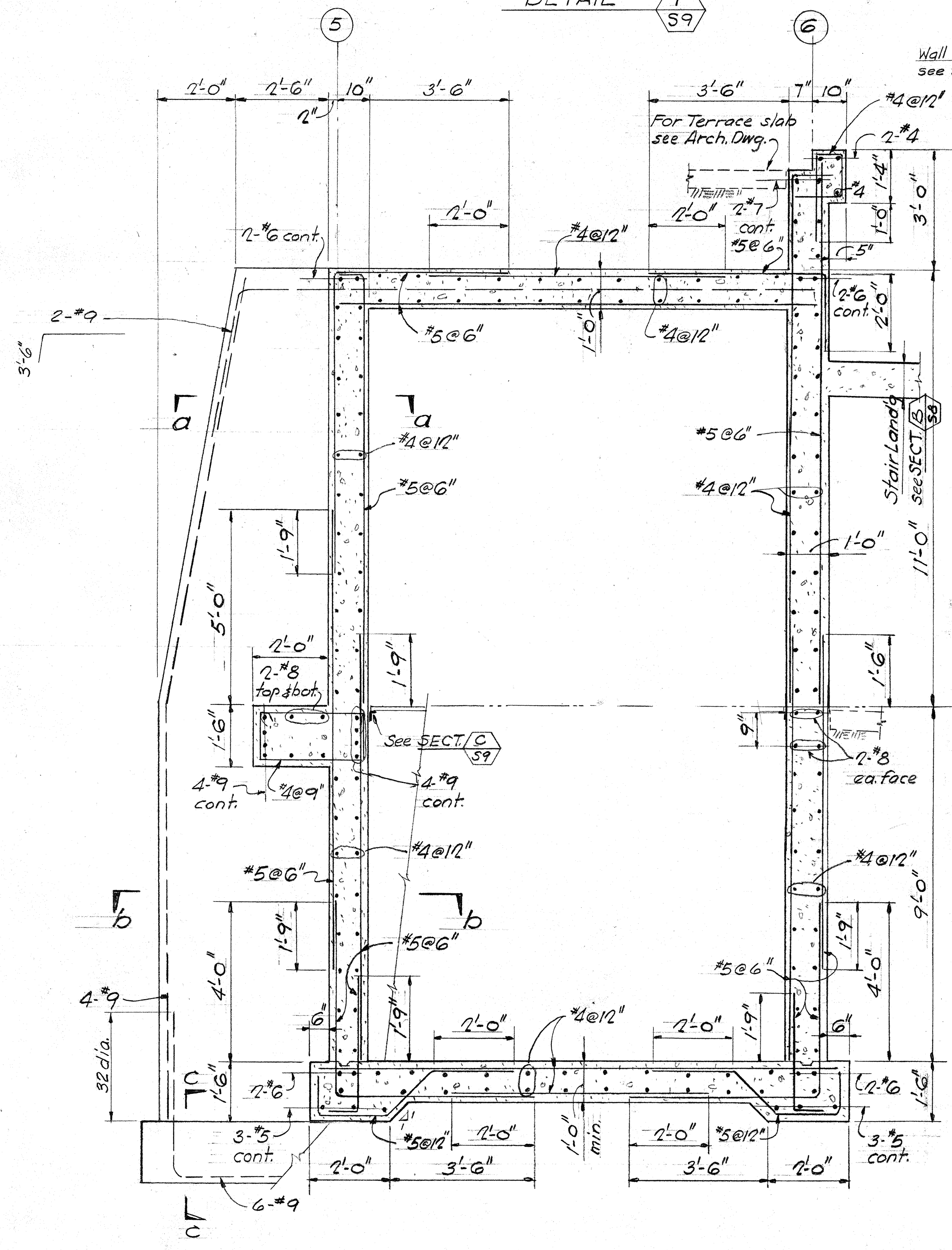


SECTION D S9

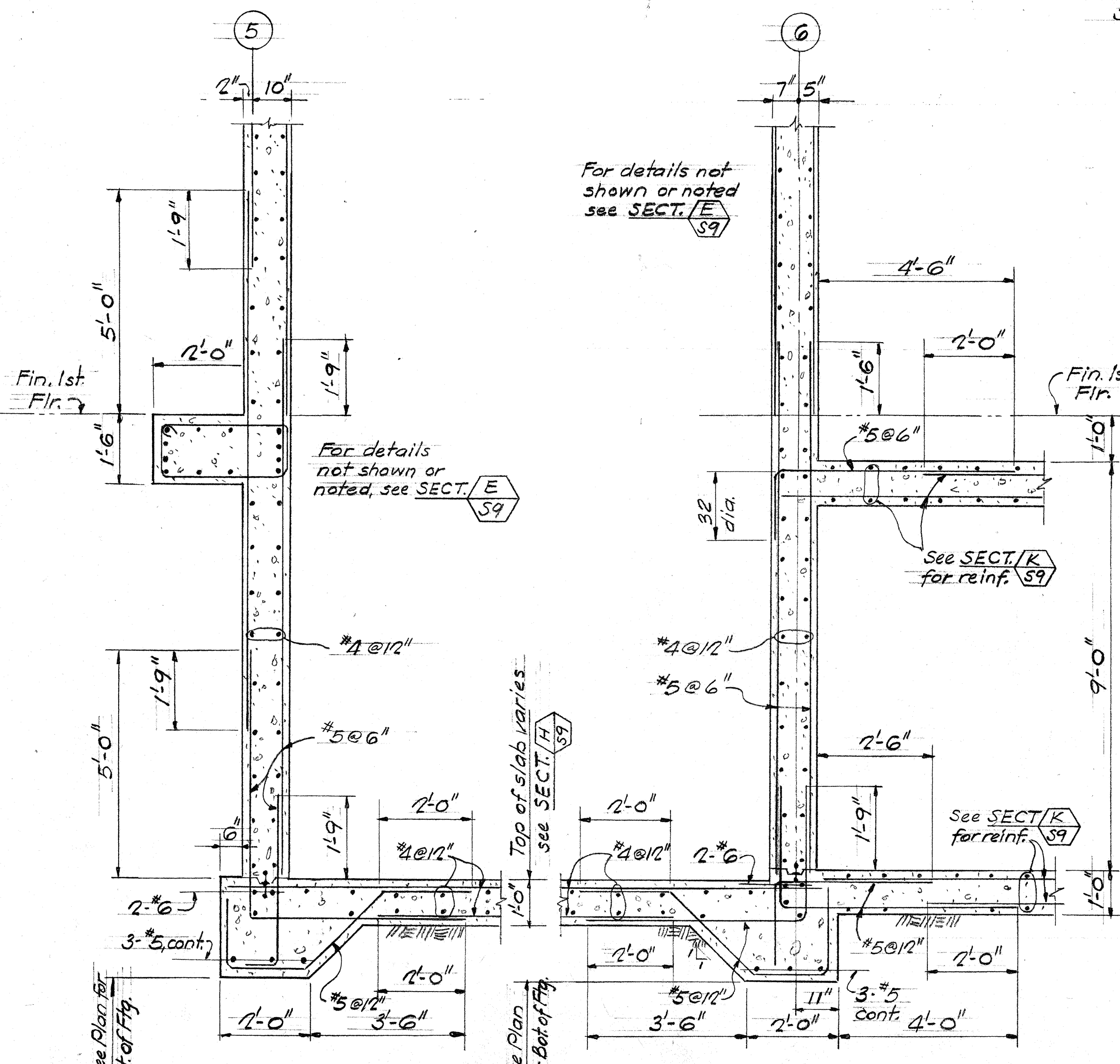


SECTION P S9

SECTION Q S9

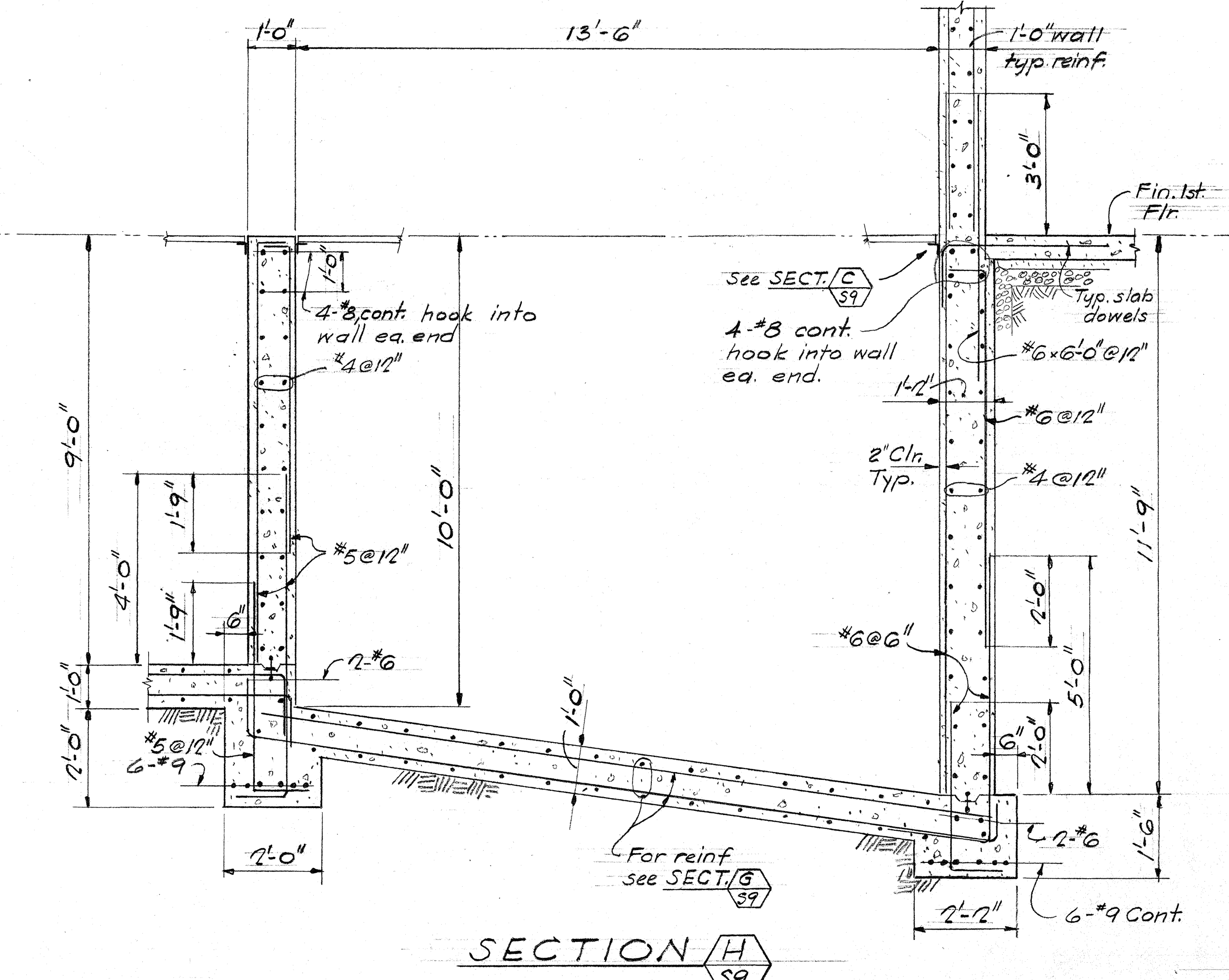


SECTION E S9

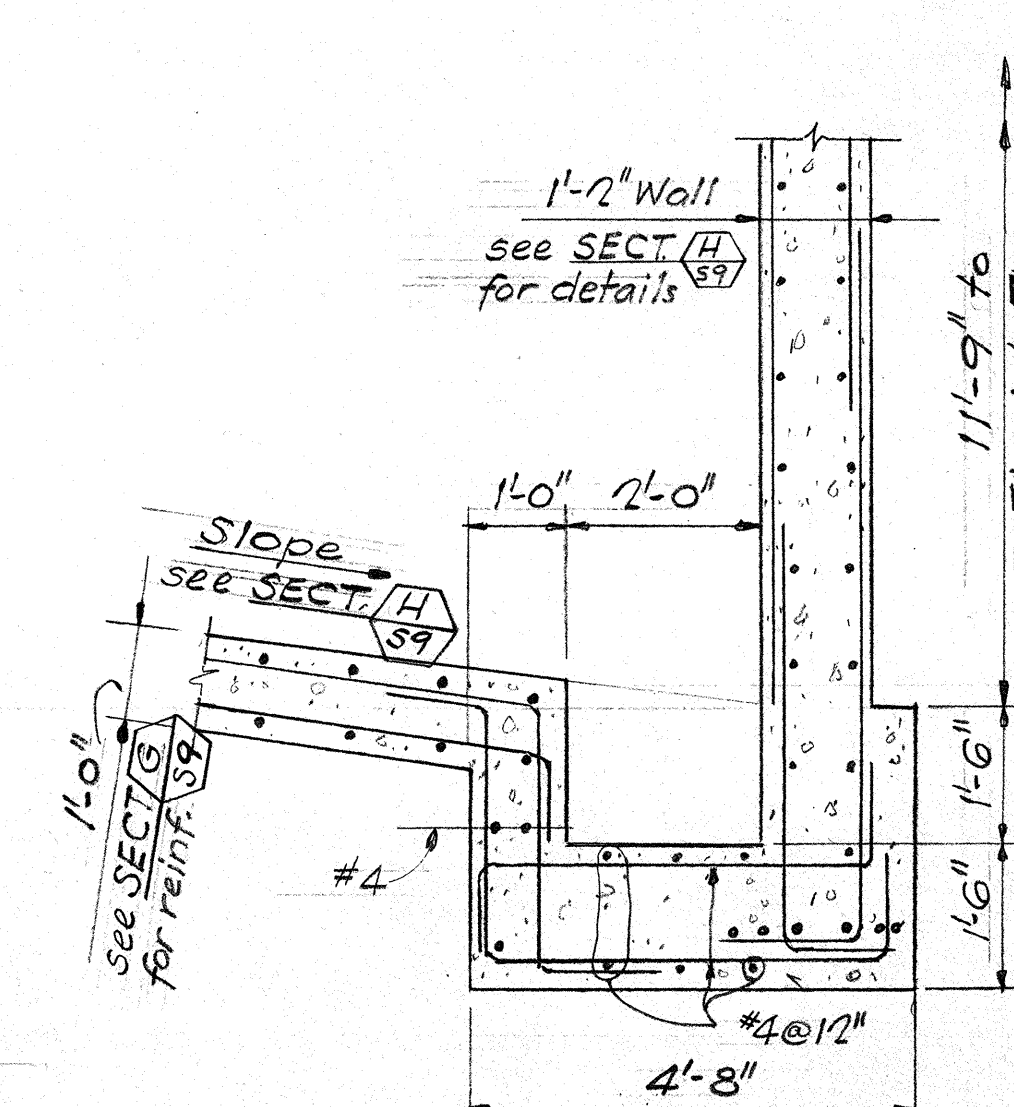


SECTION F S9

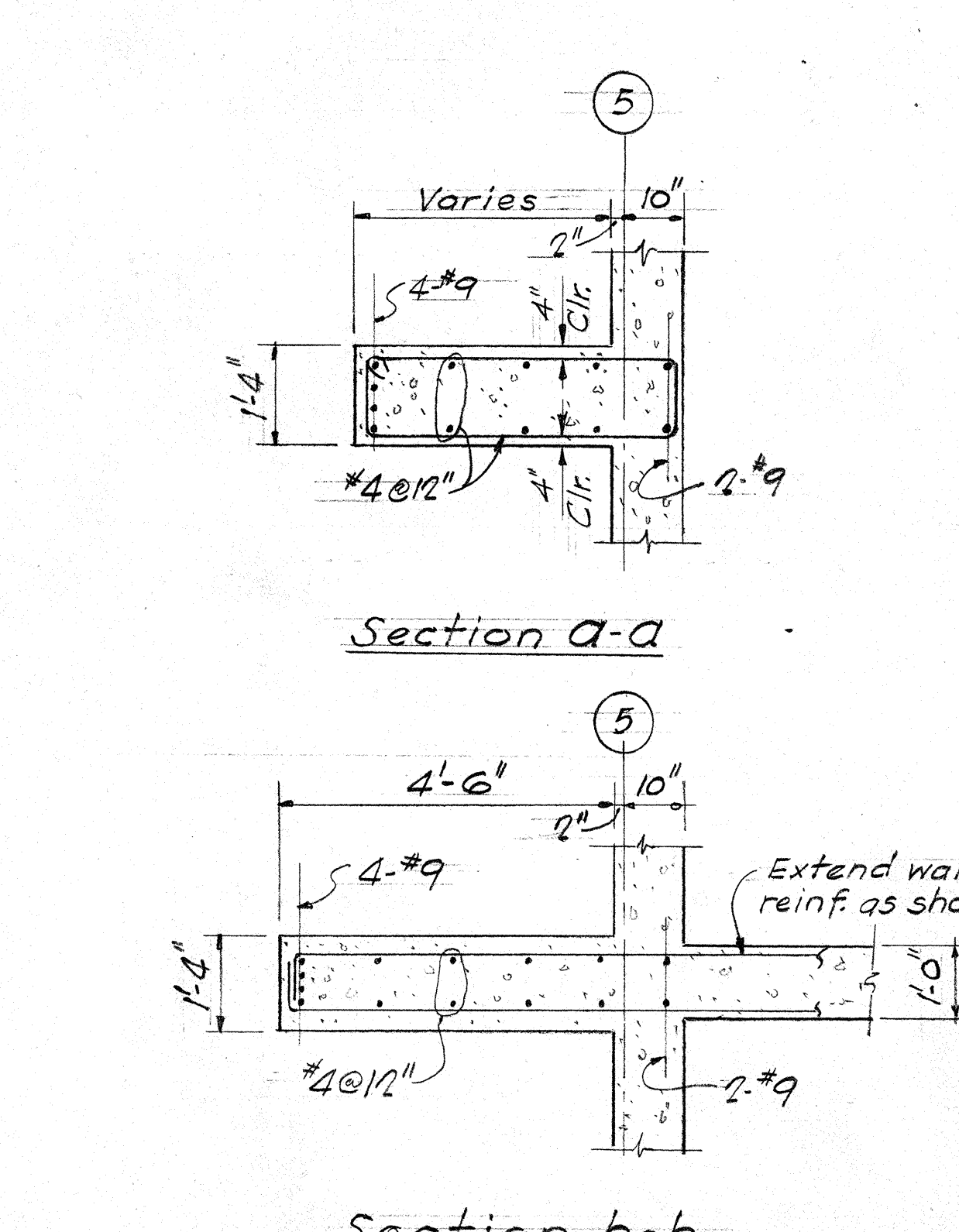
SECTION G S9



SECTION H S9

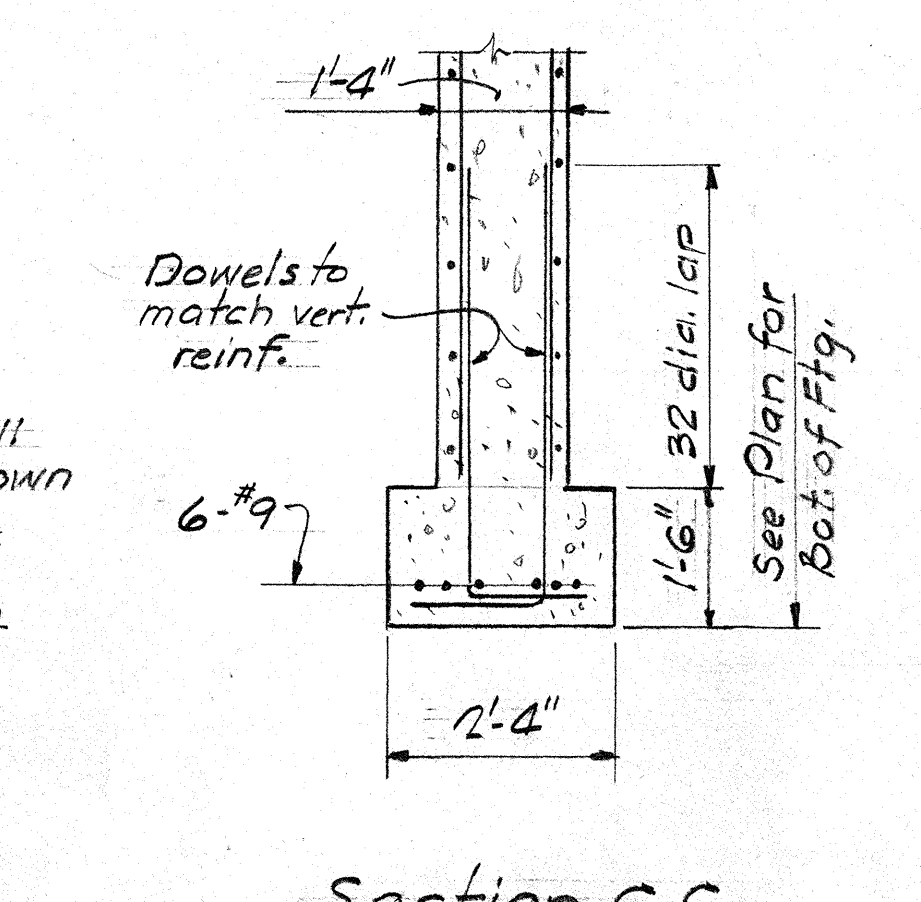


SECTION N S9

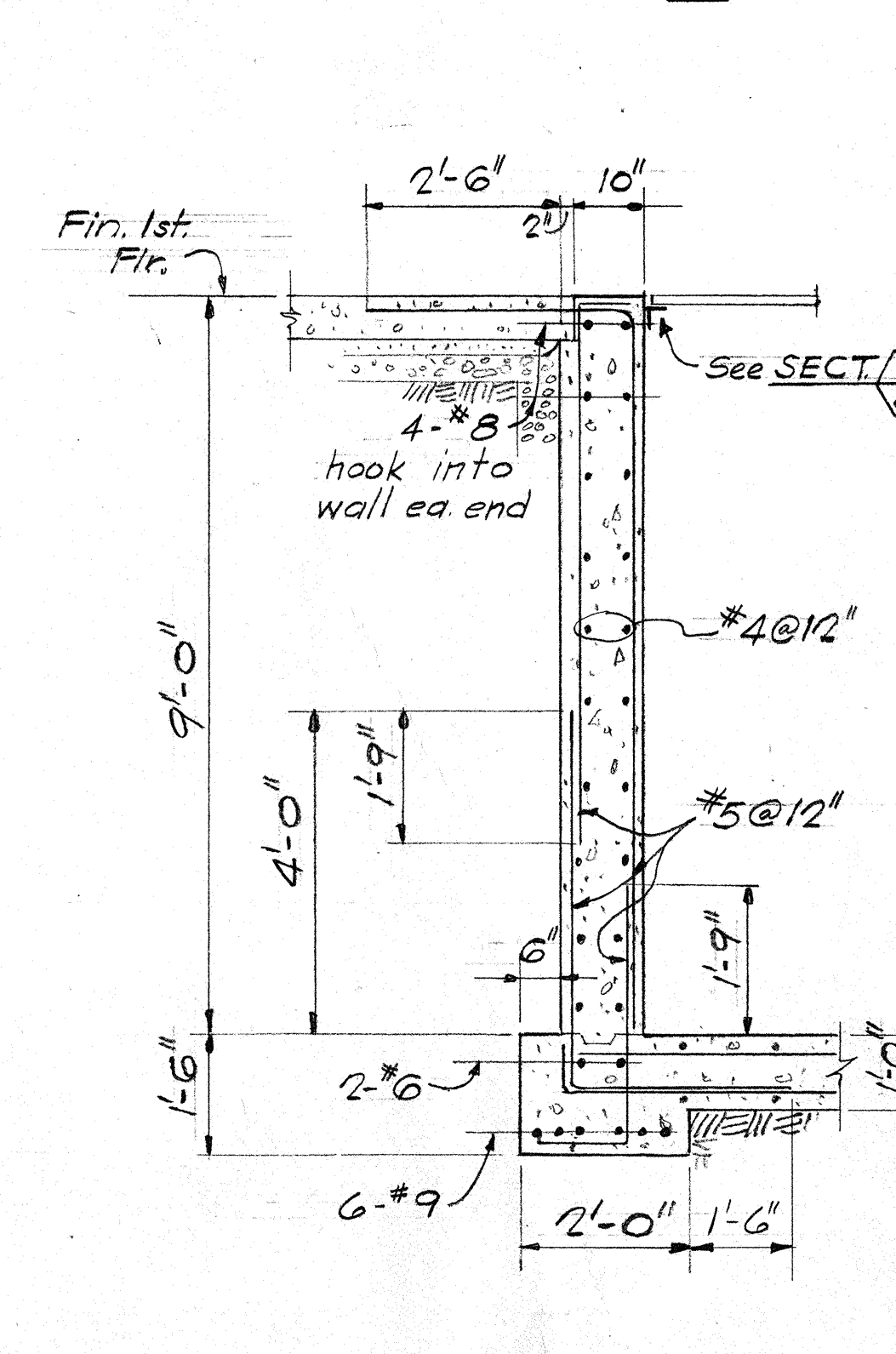


Section a-a

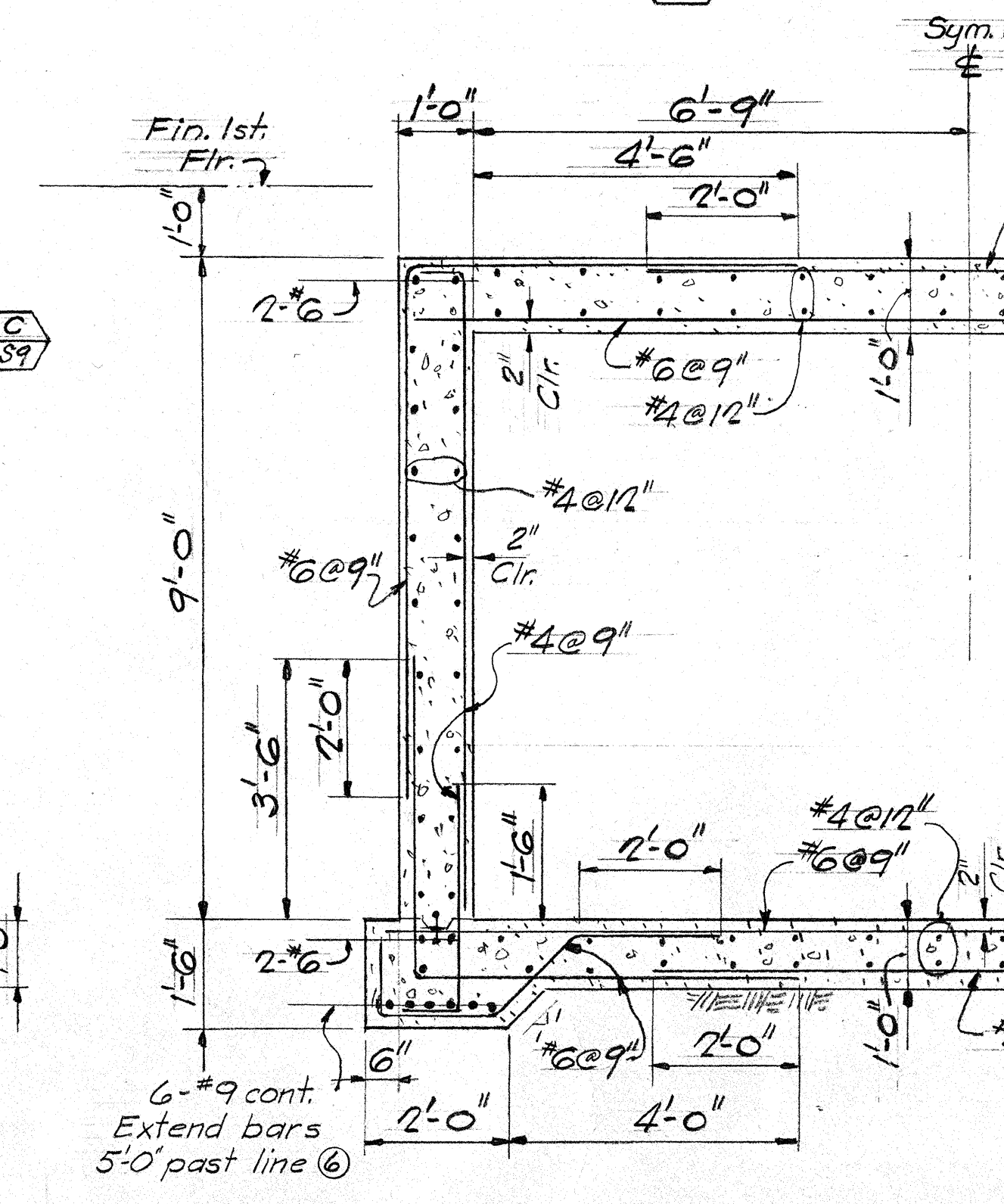
Section b-b



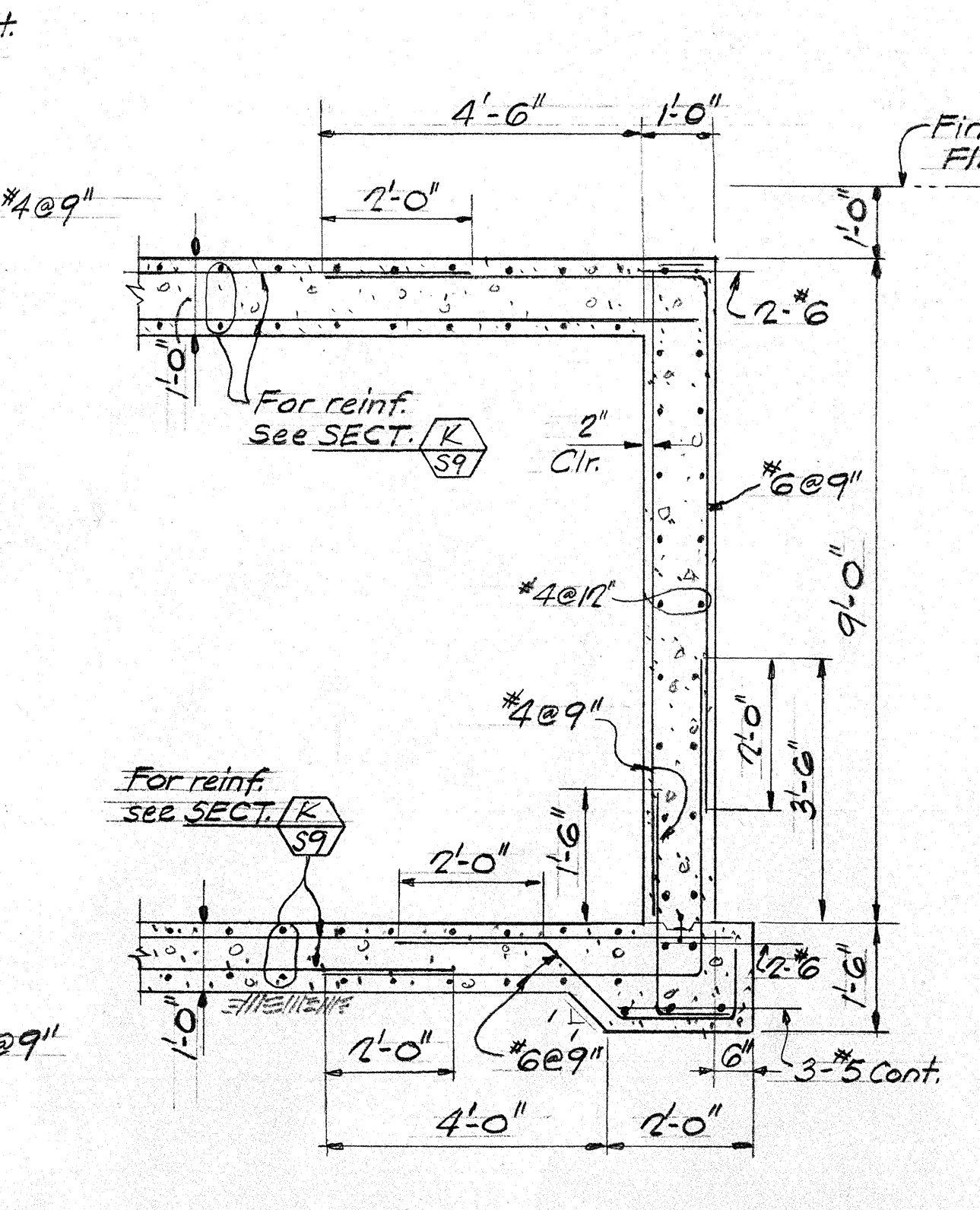
Section c-c



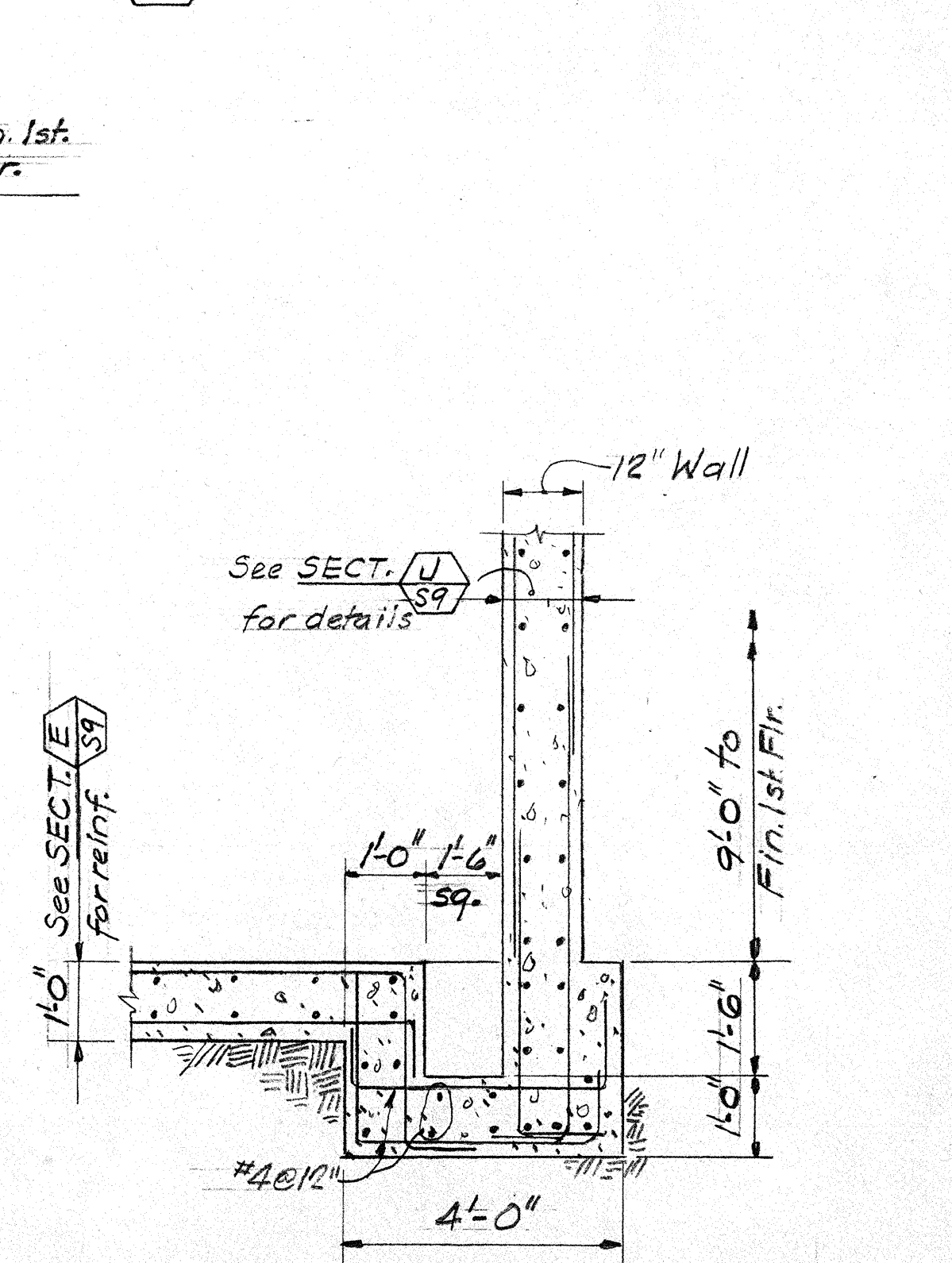
SECTION J S9



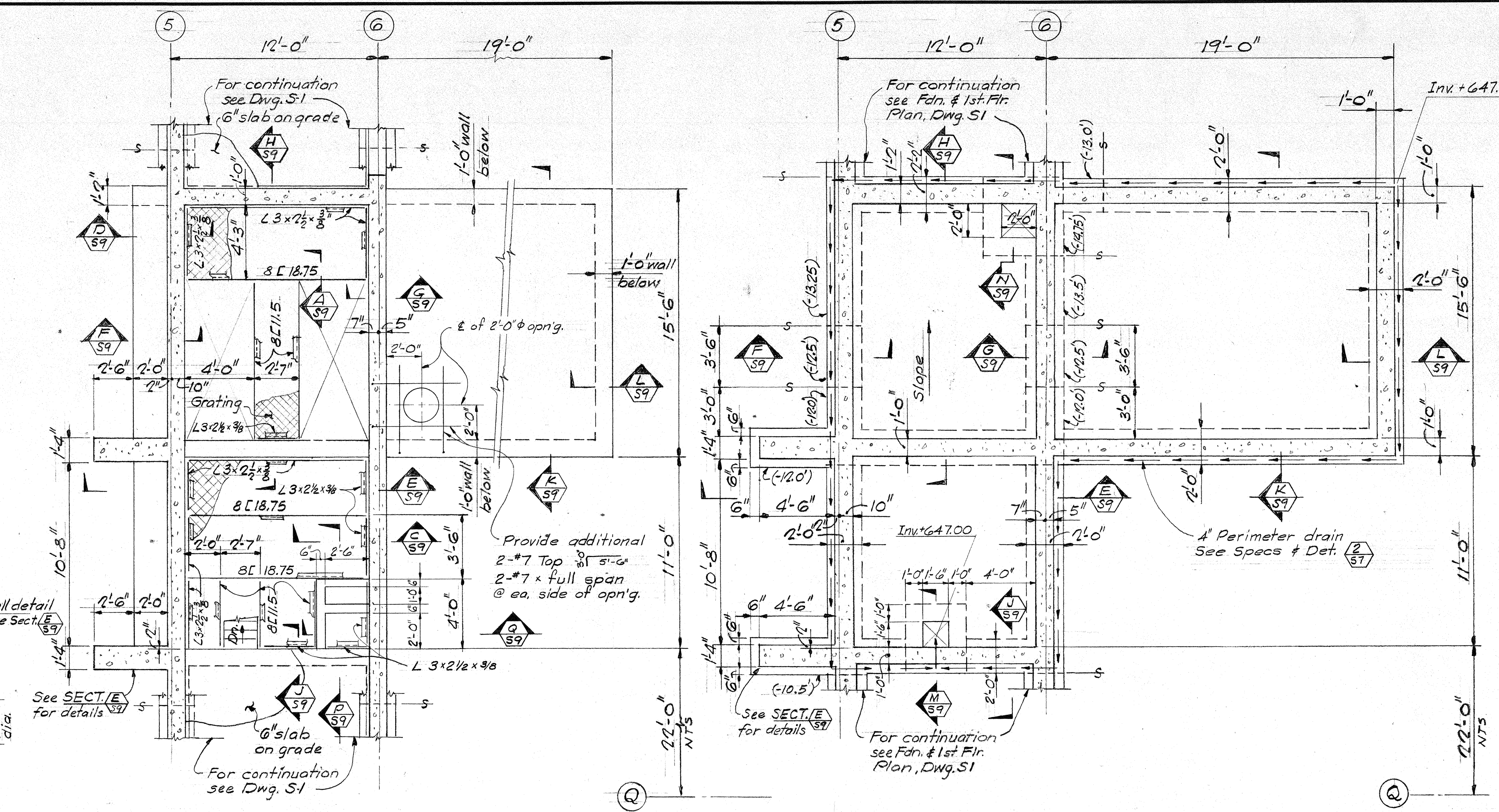
SECTION K S9



SECTION L S9



SECTION M S9



FIRST FLOOR PLAN

FOUNDATION PLAN

MECHANICAL POOL EQUIPMENT ROOM

Scale: 1/4" = 1'-0"

Notes:
 1. See General Notes & Notes on Dwg S1
 2. Unless otherwise shown or noted terminate all wall reinf. as shown on Typical Detail of Wall Reinforcing, Dwg S6

MECH. POOL EQUIPMENT ROOM
 PLANS & SECTIONS

SCALE 1/4" = 1'-0" DATE 2-20-67 JOB NO. 5490

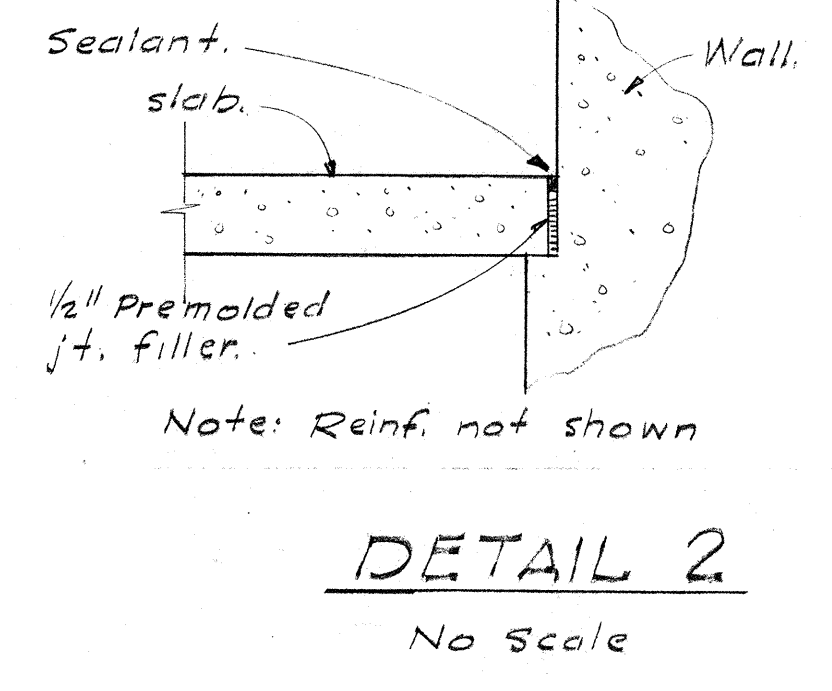
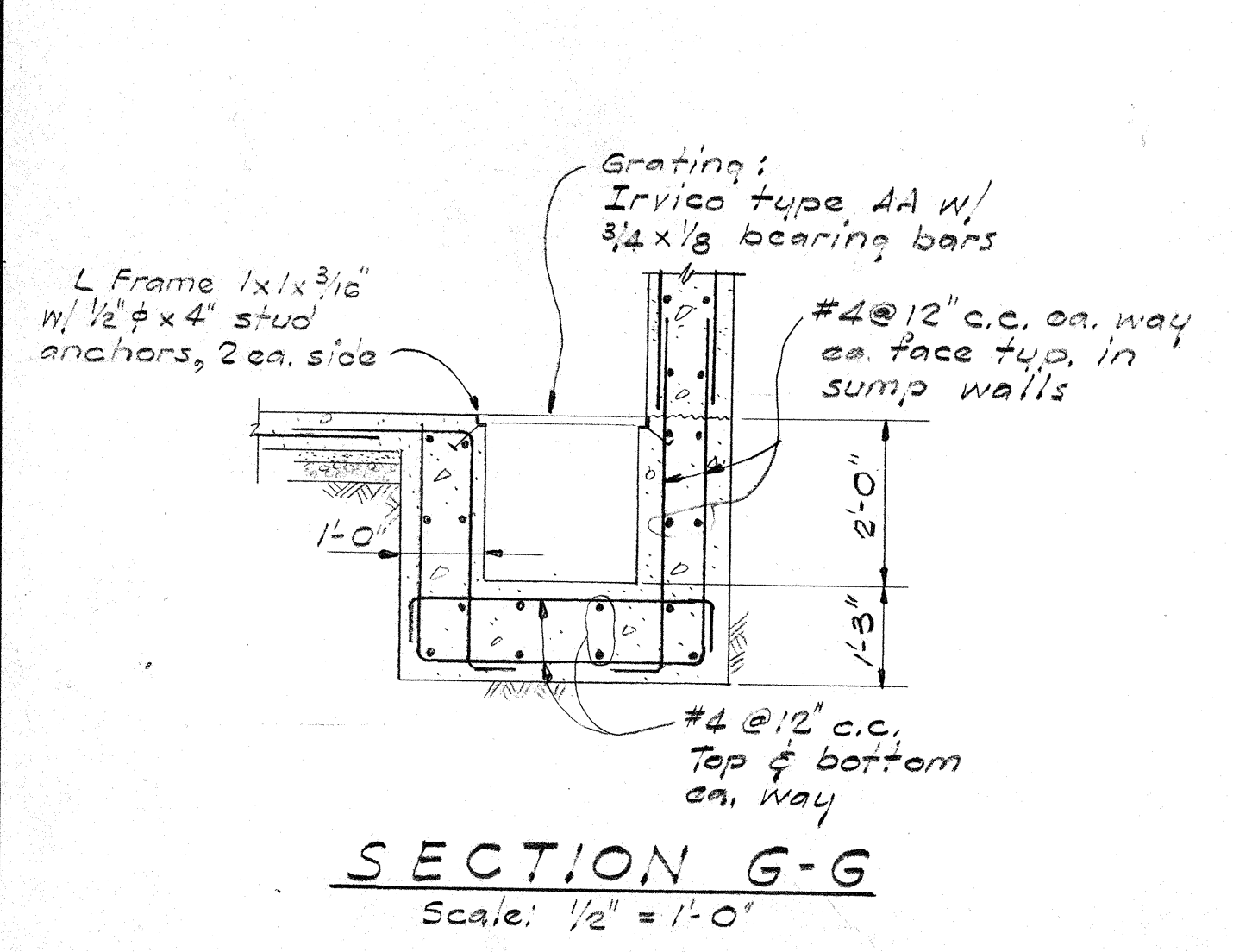
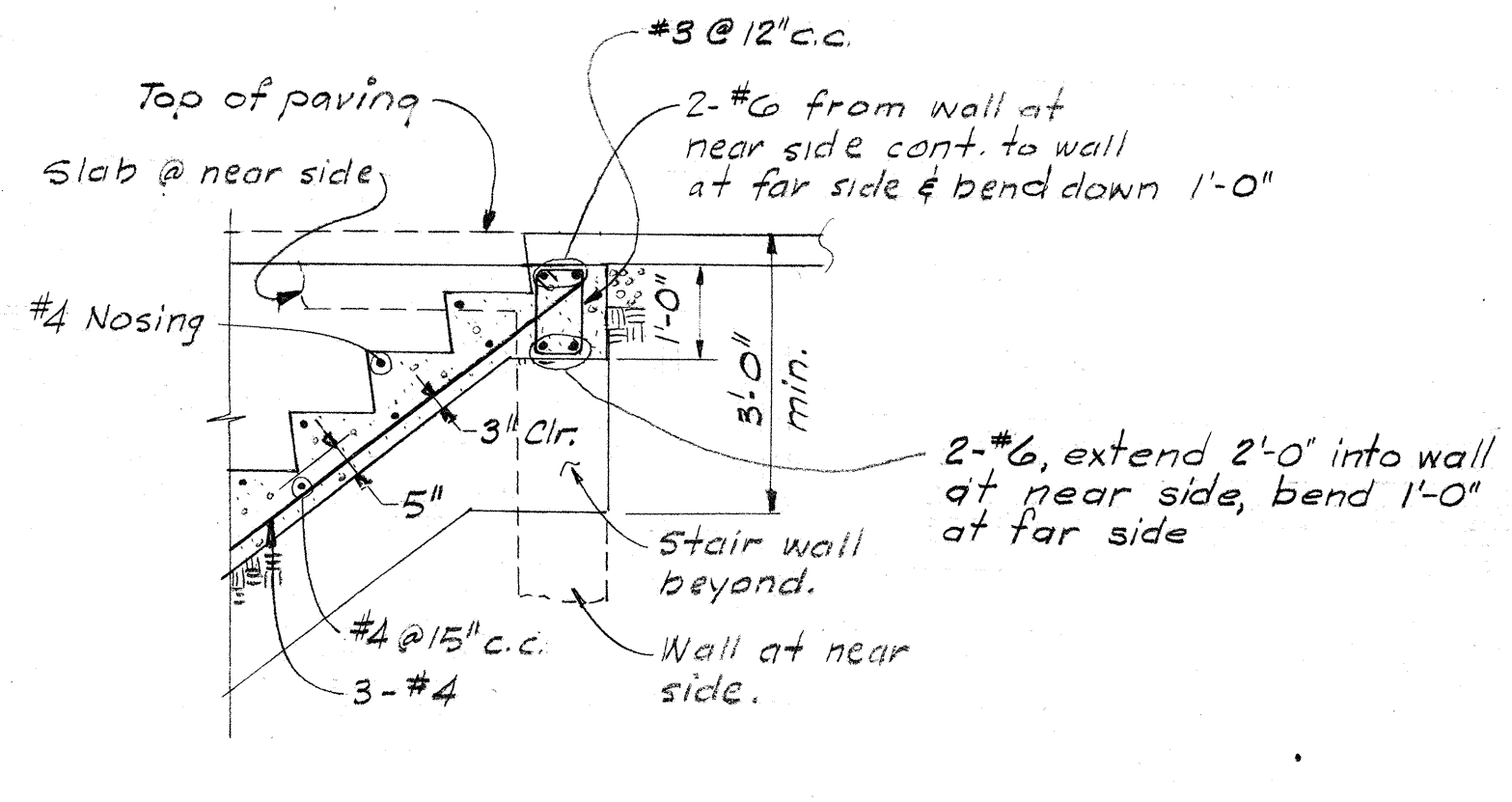
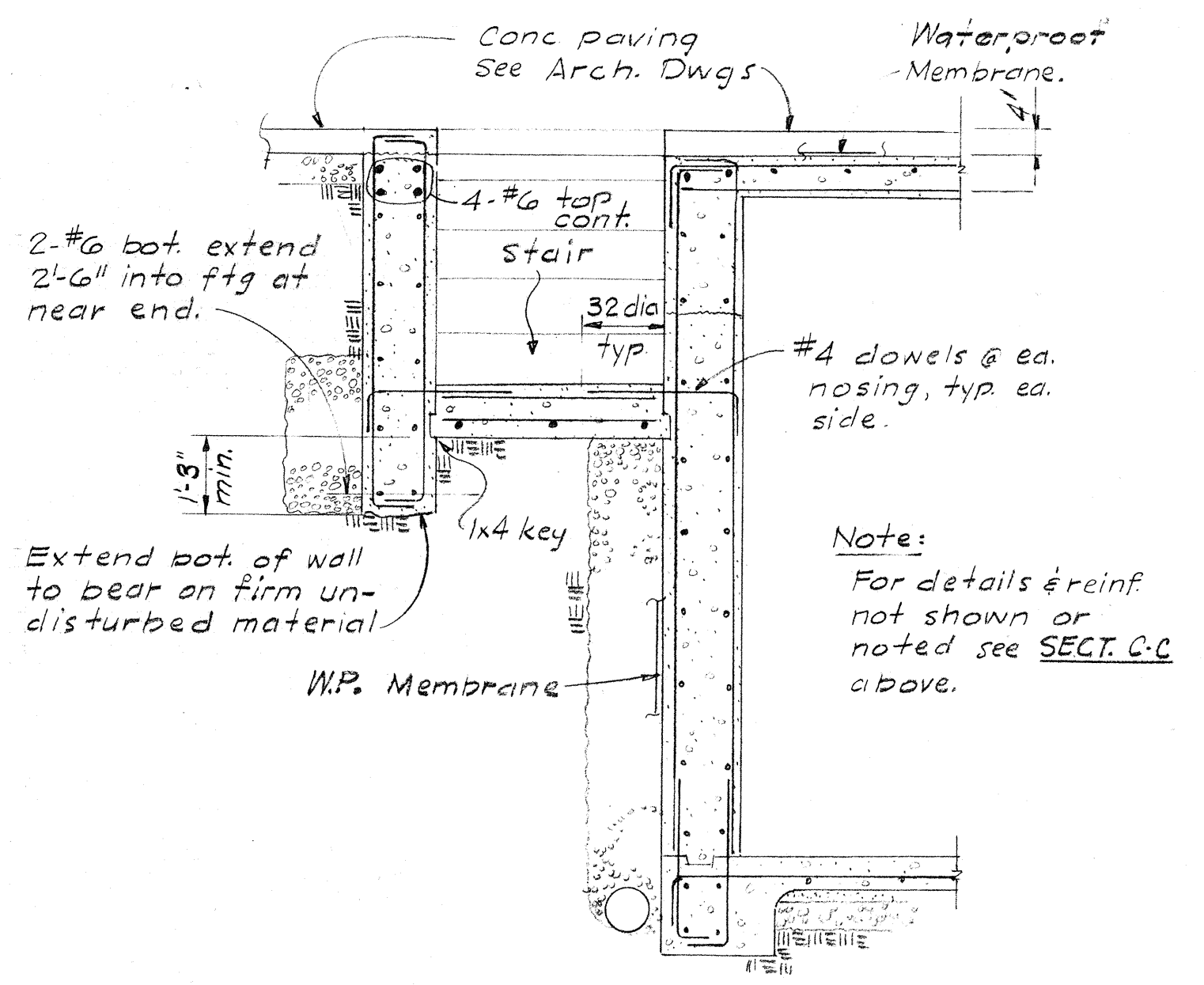
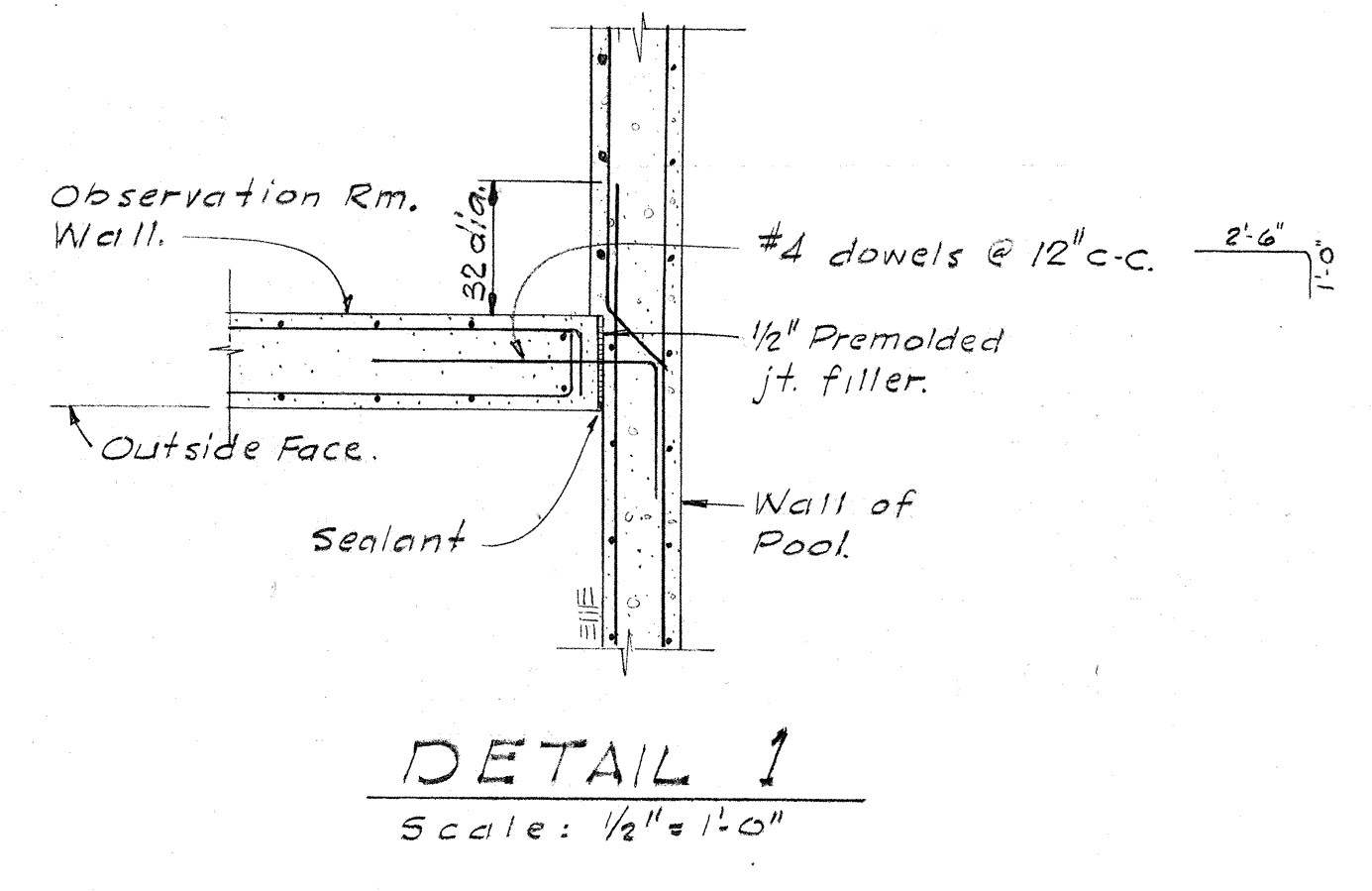
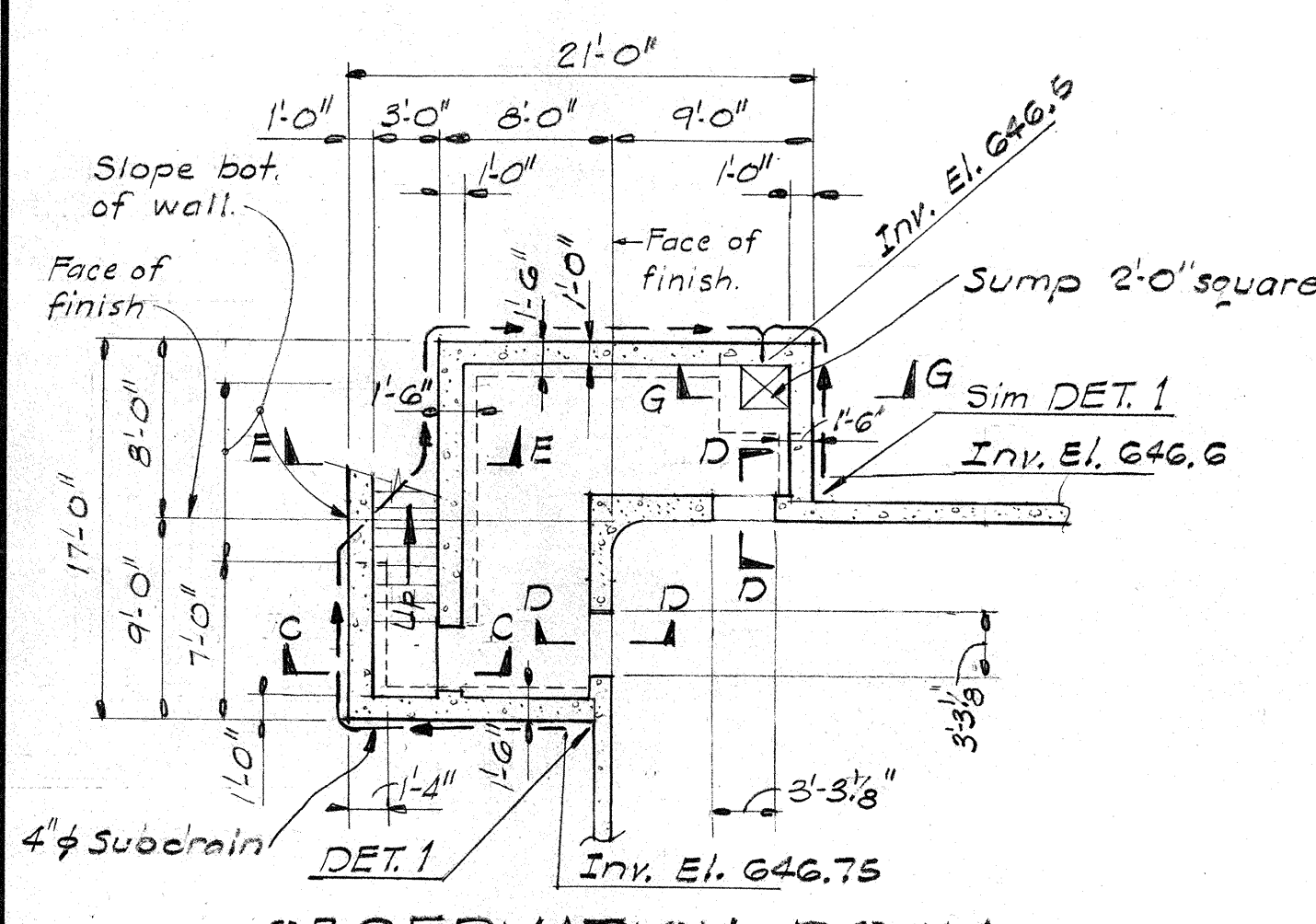
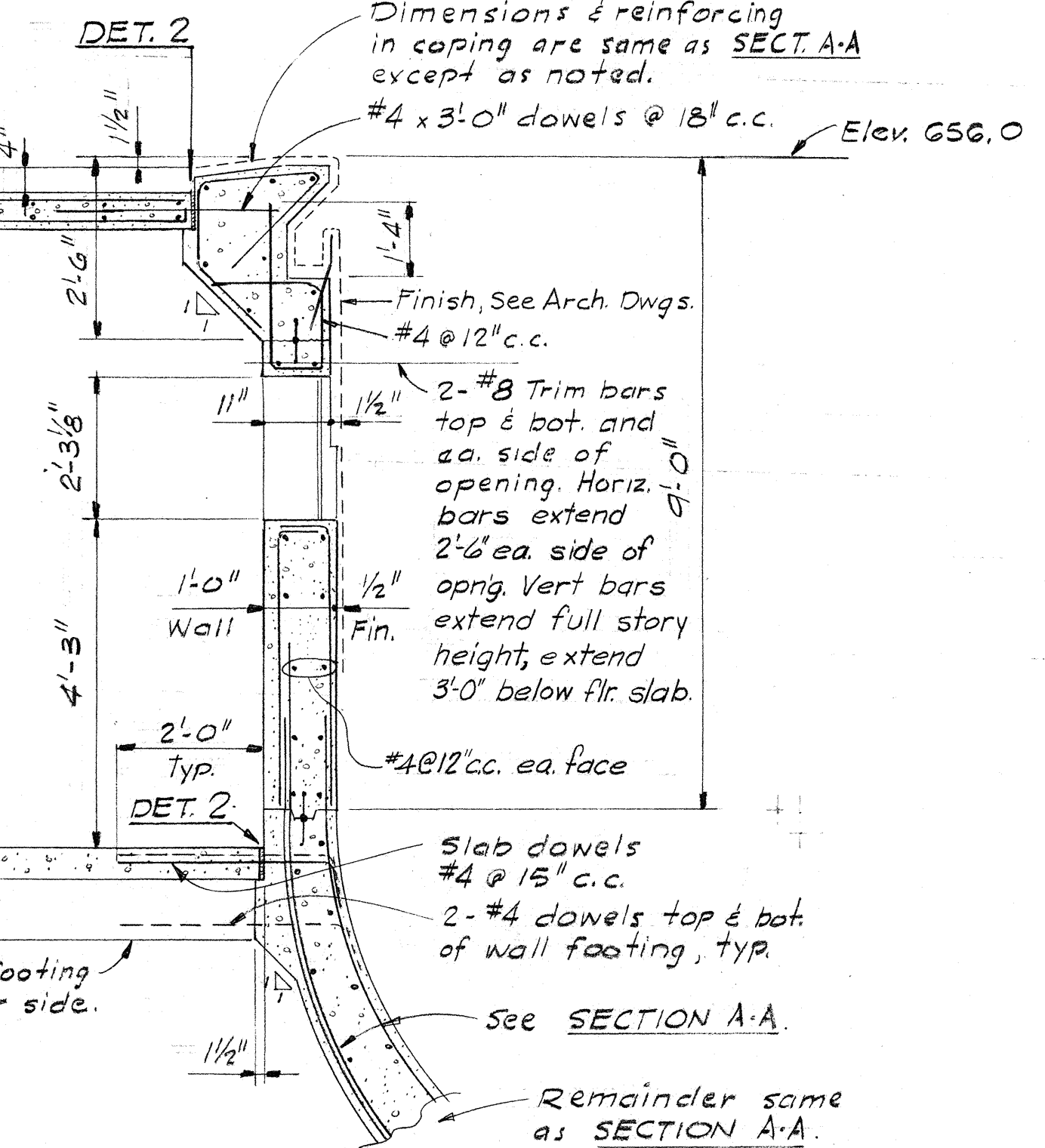
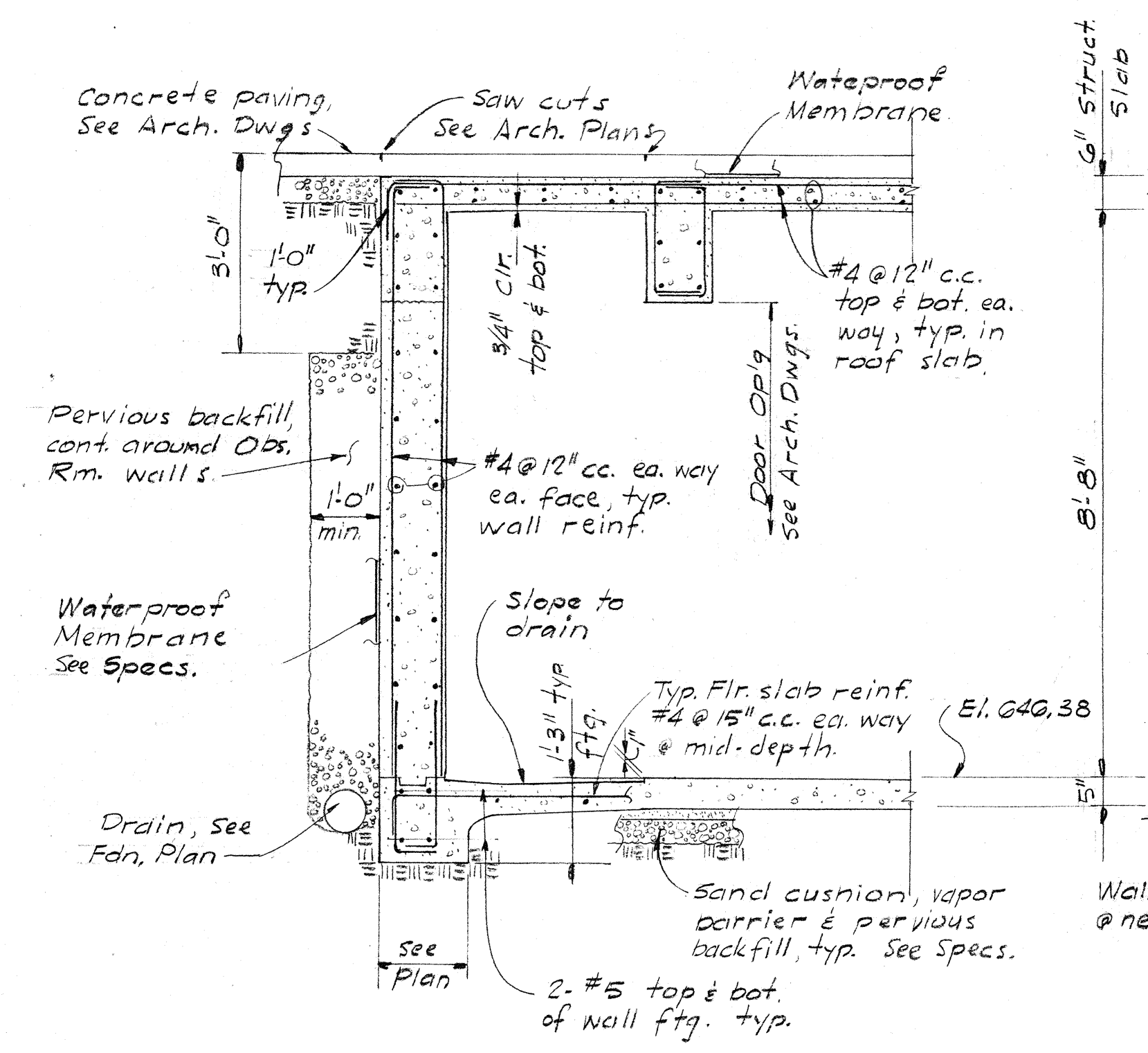
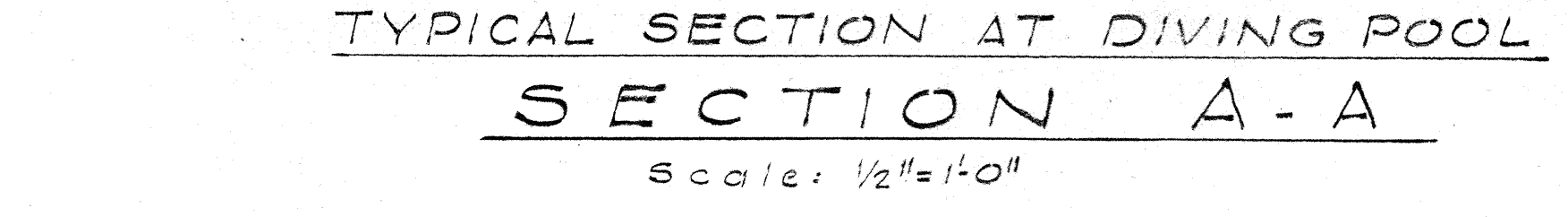
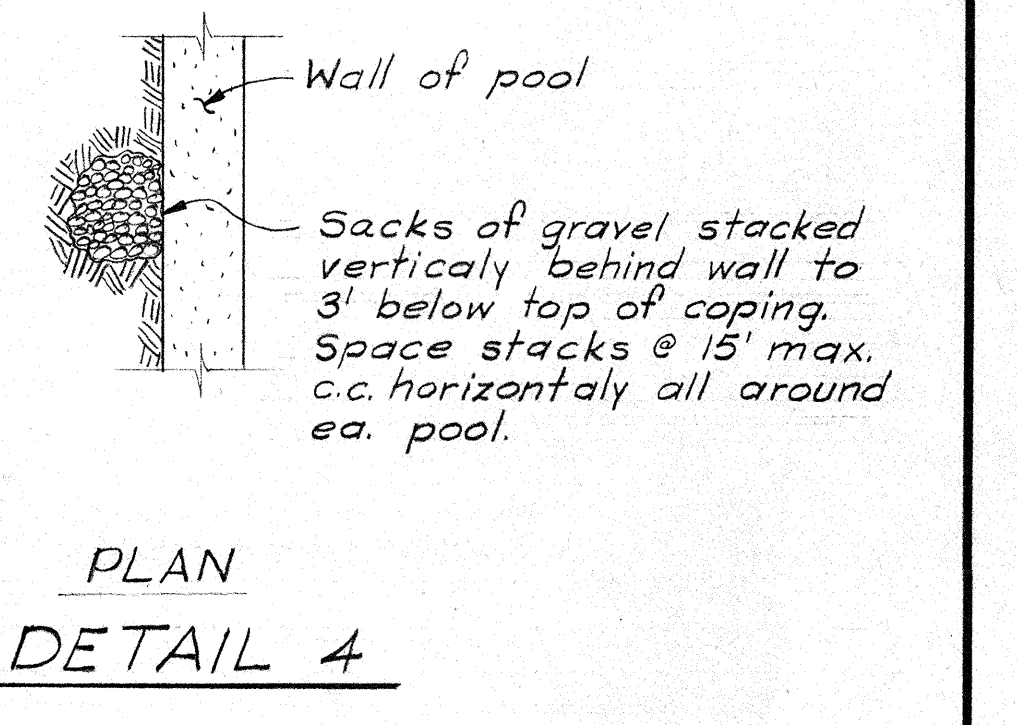
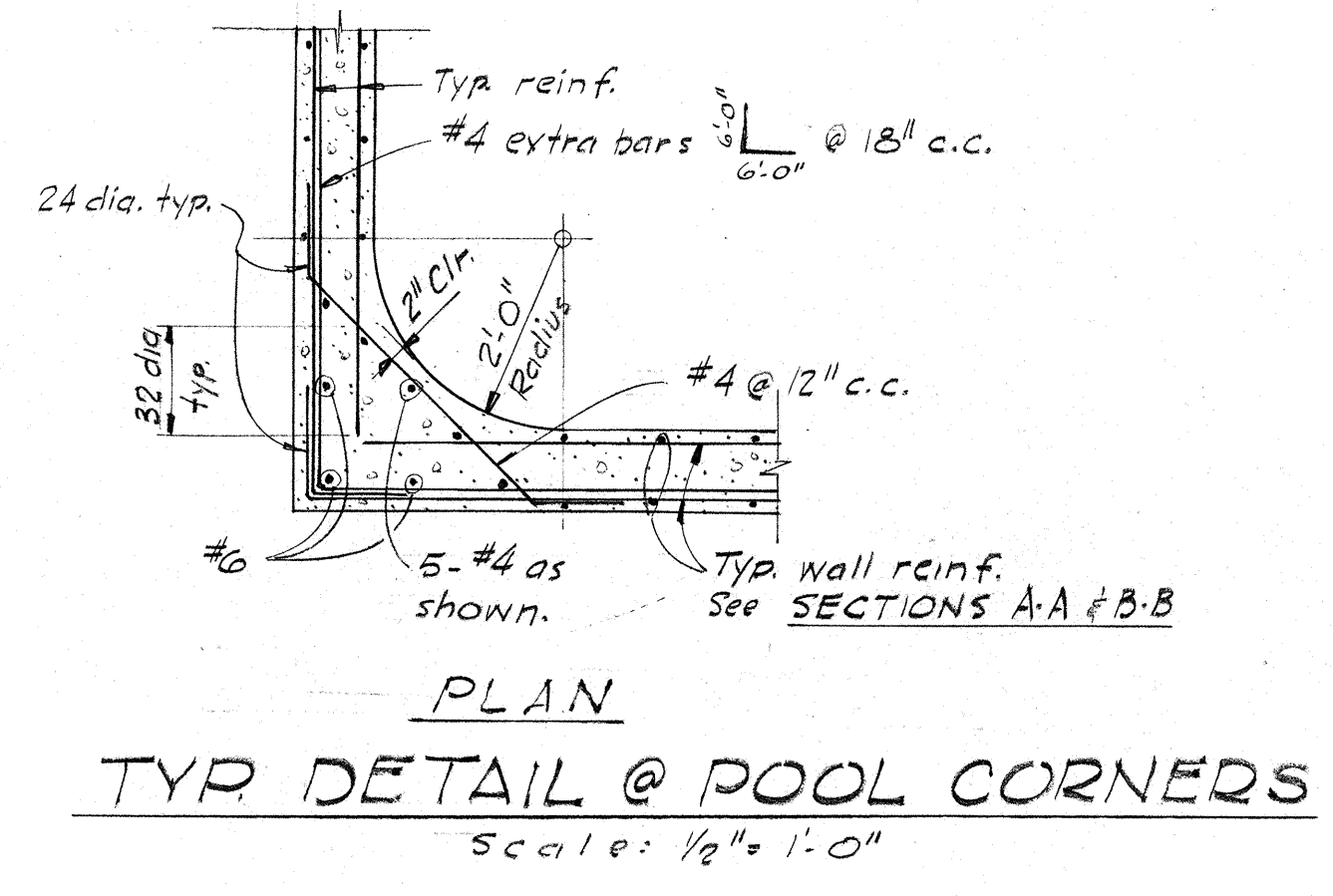
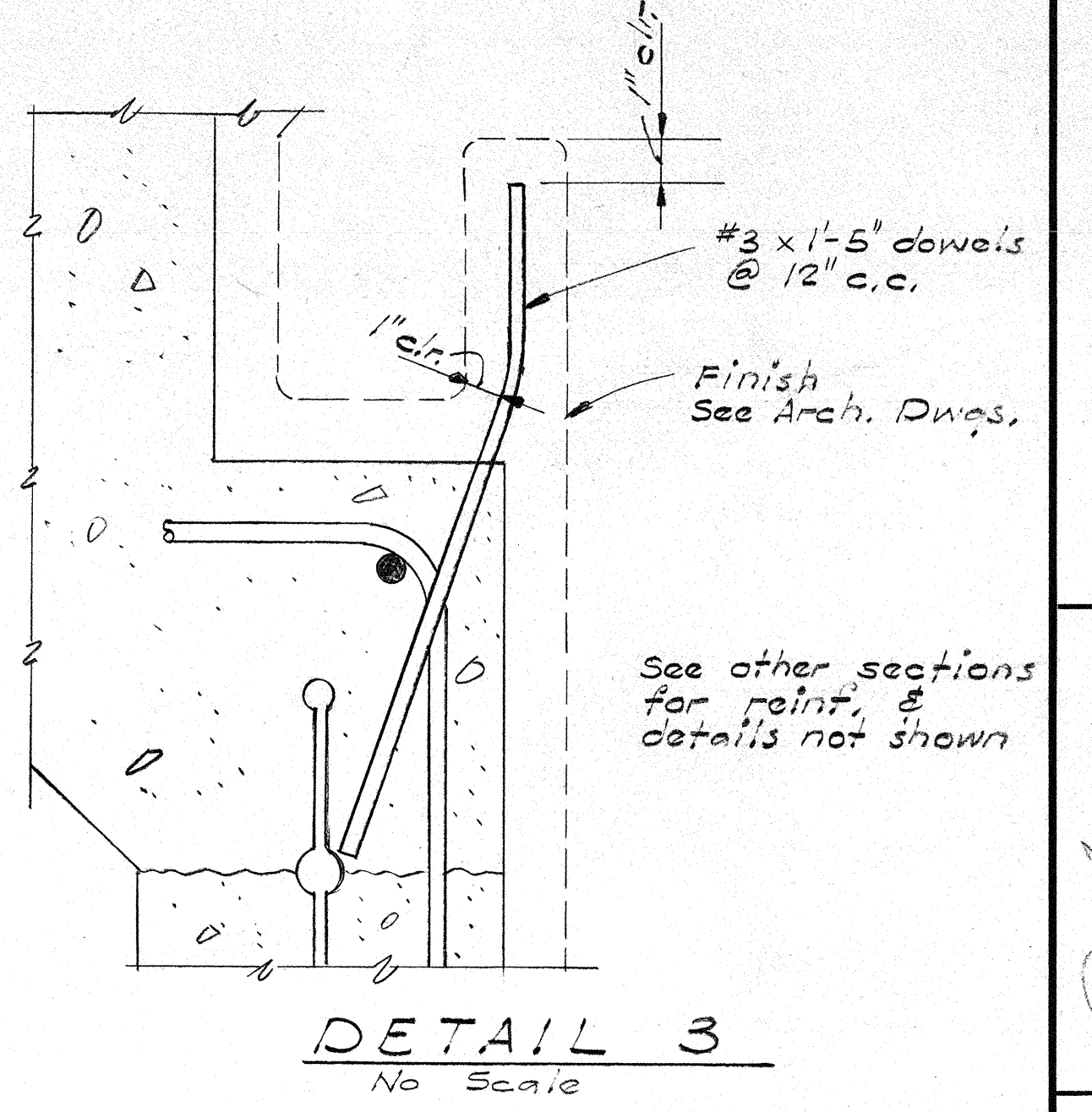
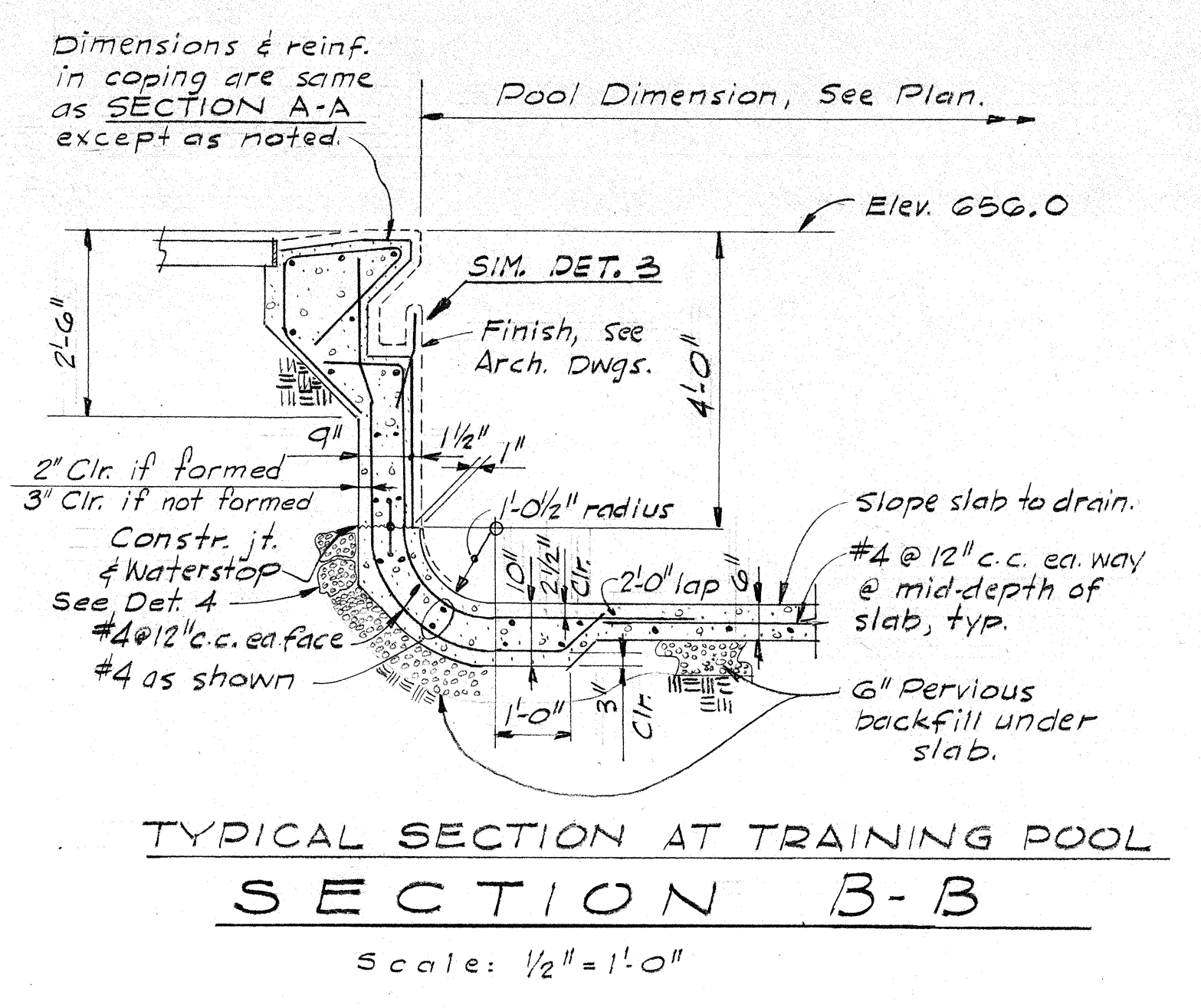
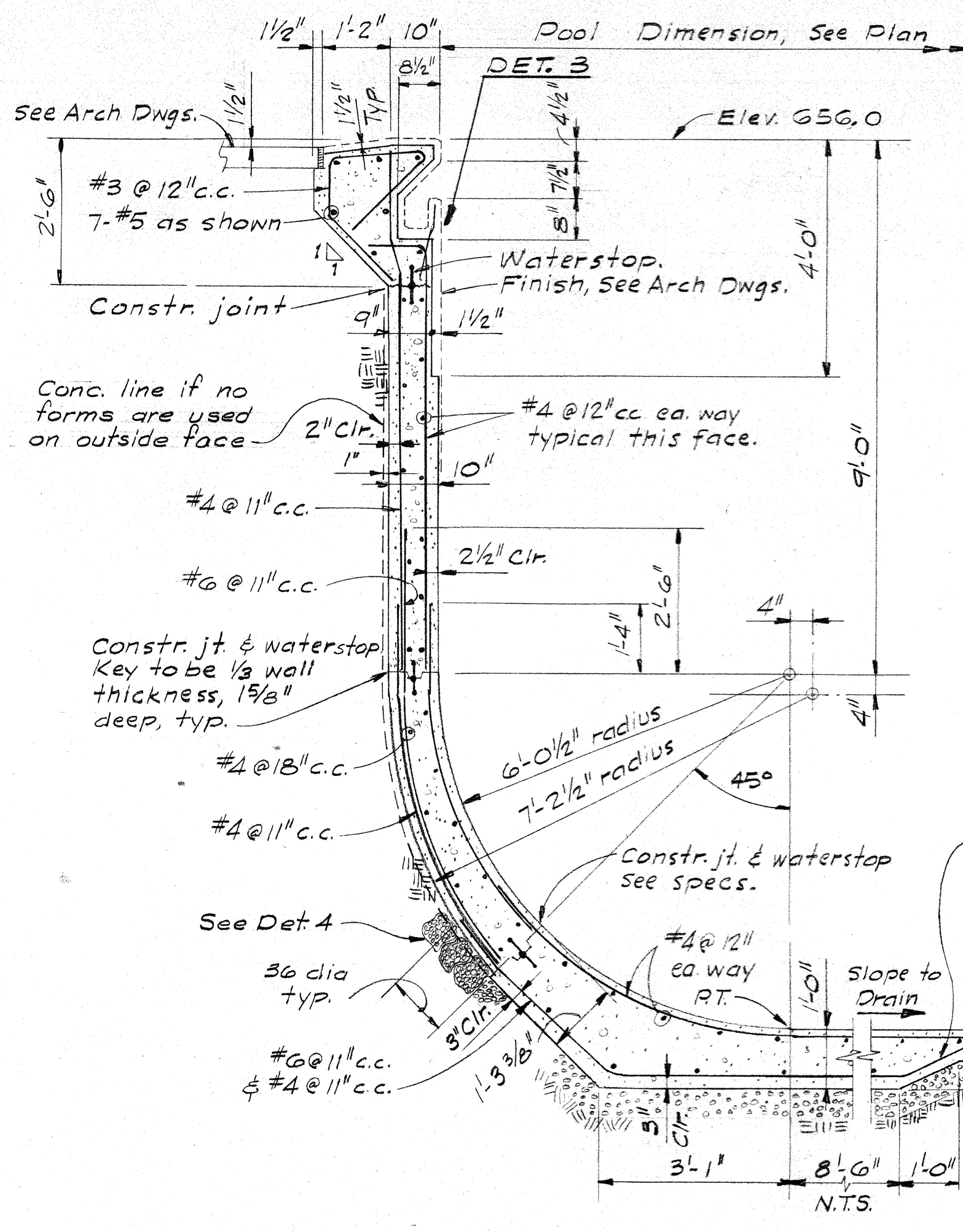
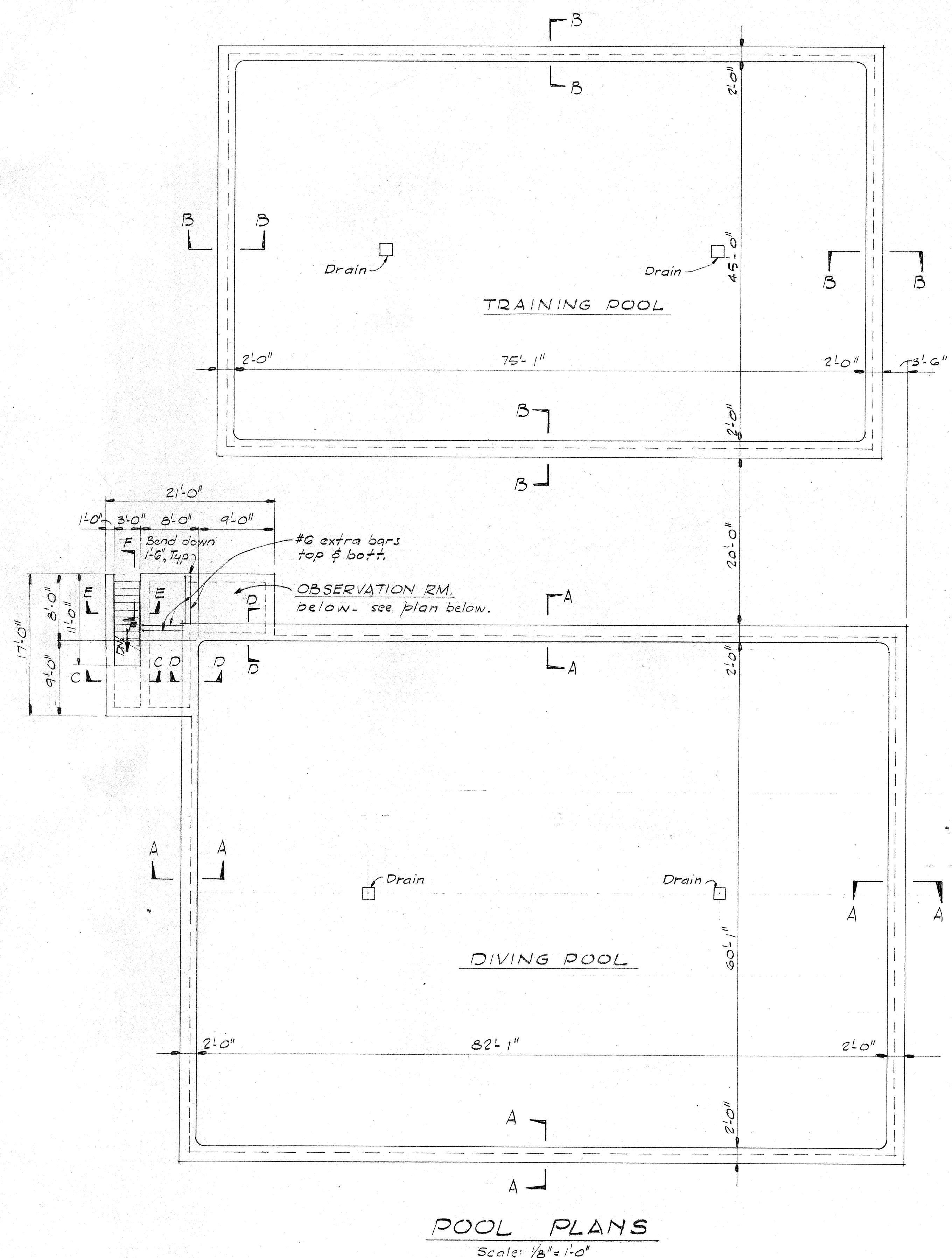
JOHN A. BURKE & ASSOC., ENGINEERS
 CIVIL & STRUCTURAL ENGINEERS
 KELLER & GANNON
 MECHANICAL & ELECTRICAL ENGINEERS
 DOUGLAS BRATLEY
 ARCHITECT
 SAN FRANCISCO, CALIFORNIA

WELTON BECKETT AND ASSOCIATES — CHAN/RADER AND ASSOCIATES
 ARCHITECTS
 153 MAIDEN LANE, SAN FRANCISCO, CALIFORNIA

SAN MATEO JUNIOR COLLEGE DISTRICT
 SOUTH CAMPUS
 REDWOOD CITY, CALIFORNIA

WELTON BECKETT AND ASSOCIATES
 ARCHITECTS
 153 MAIDEN LANE, SAN FRANCISCO, CALIFORNIA

S9
 BLDG. "A"



Notes:
1. See Dwg. S6, Bldg. A, for typical details of wall reinforcing.
2. For locations of pools, see Arch. Dngs.

JOHN A. BURKE & ASSOCIATES, ENGINEERS
CIVIL & STRUCTURAL ENGINEERS
MECHANICAL & ELECTRICAL ENGINEERS
DOUGLAS BAYLIS
LANDSCAPE ARCHITECT
SAN FRANCISCO, CALIFORNIA

WELTON BECKET AND ASSOCIATES — CHAN/RADER AND ASSOCIATES
ARCHITECTS
153 MAIDEN LANE, SAN FRANCISCO, CALIFORNIA

SAN MATEO JUNIOR COLLEGE DISTRICT
SOUTH CAMPUS
REDWOOD CITY, CALIFORNIA

JOSE L. BORGARIZZO
WALTER V. PASARICO
SAN MATEO JUNIOR COLLEGE DISTRICT