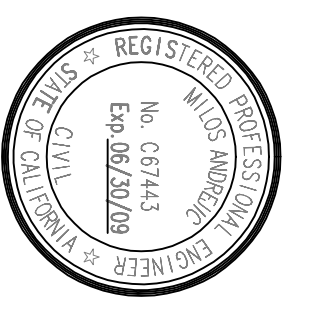


NO.	REVISIONS	DATE
1	100% SCHEDULE DESIGN SUBMITTAL	03/20/08
2	90% DESIGN DEVELOPMENT SUBMITTAL	03/27/08
3	100% DESIGN DEVELOPMENT SUBMITTAL	03/28/08
4	FINAL DESIGN DEVELOPMENT SUBMITTAL	03/28/08
5	FINAL DESIGN DEVELOPMENT SUBMITTAL	03/28/08
6	PER REVIEW	10/10/08
7	PER REVIEW	10/10/08
8	PER REVIEW	10/10/08
9	PER REVIEW	10/10/08
10	PER REVIEW	10/10/08
11	STRUCTURE & GRC PANELS SUBMITTAL	03/11/09



DIVISION OF THE  
 STATE ARCHITECT  
 APPL # 01-110117  
 FILE # ARCH  
 AG \_\_\_\_\_ RS \_\_\_\_\_  
 SSS \_\_\_\_\_ DWG \_\_\_\_\_  
 IDENTIFICATION  
 STAMP

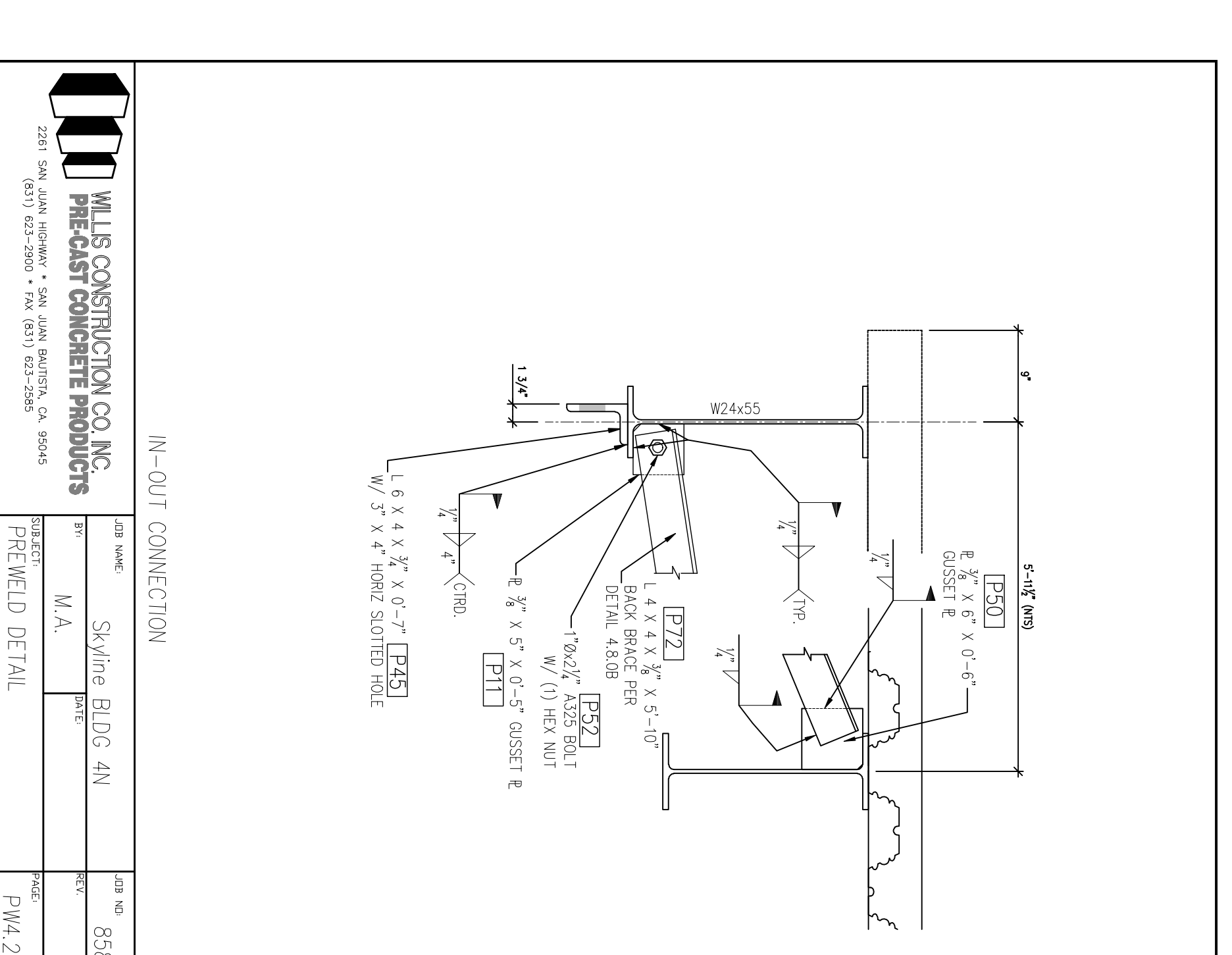
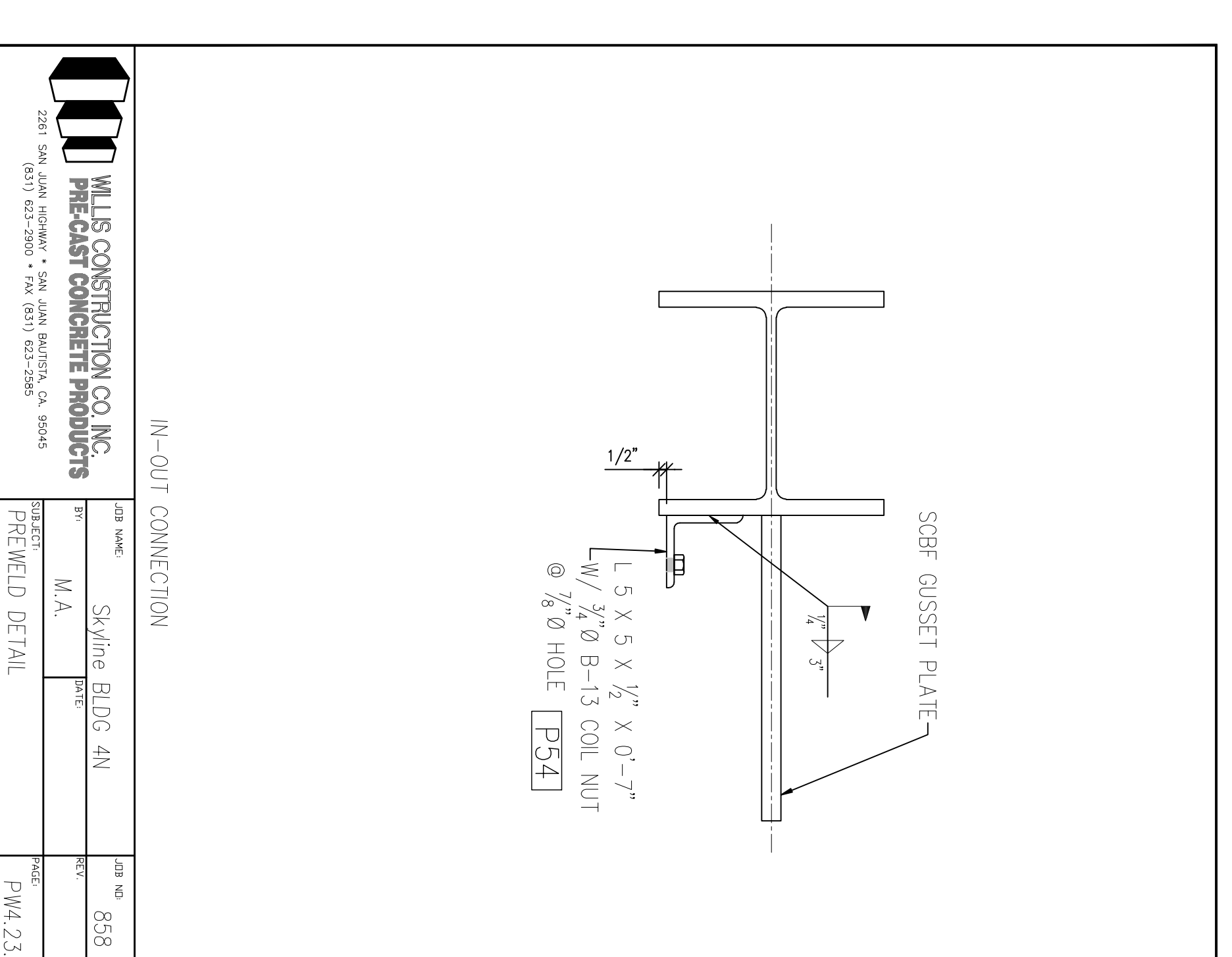
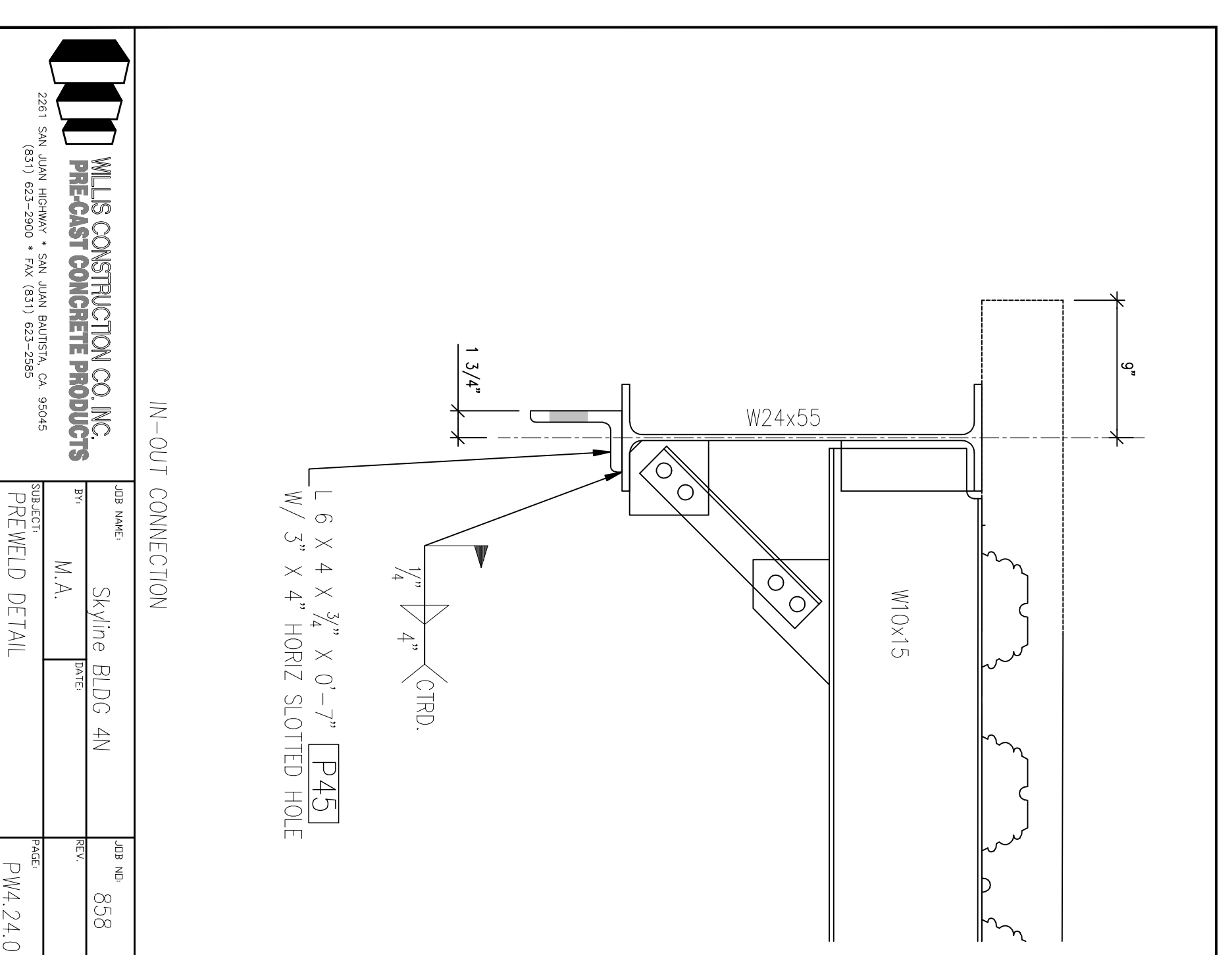
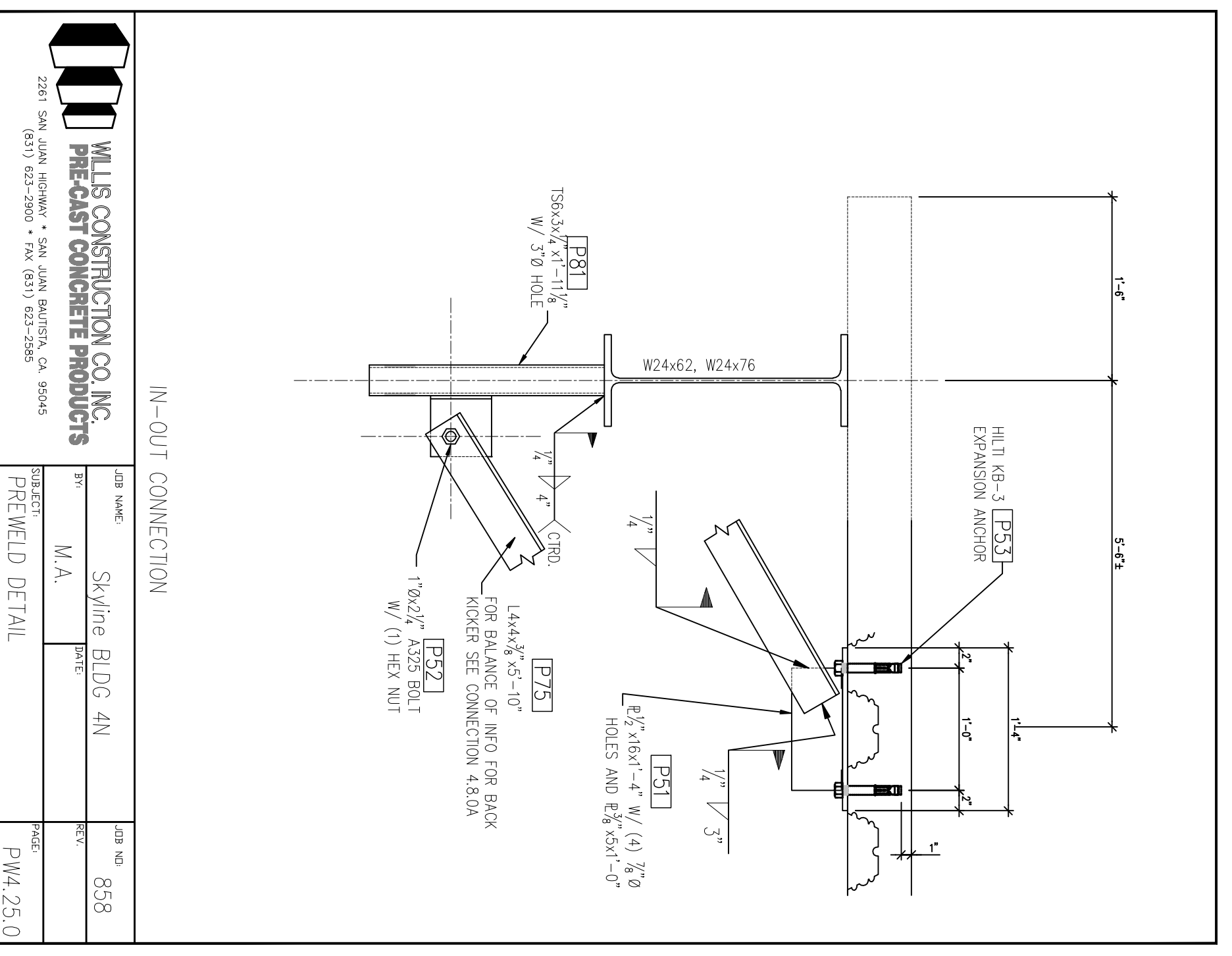
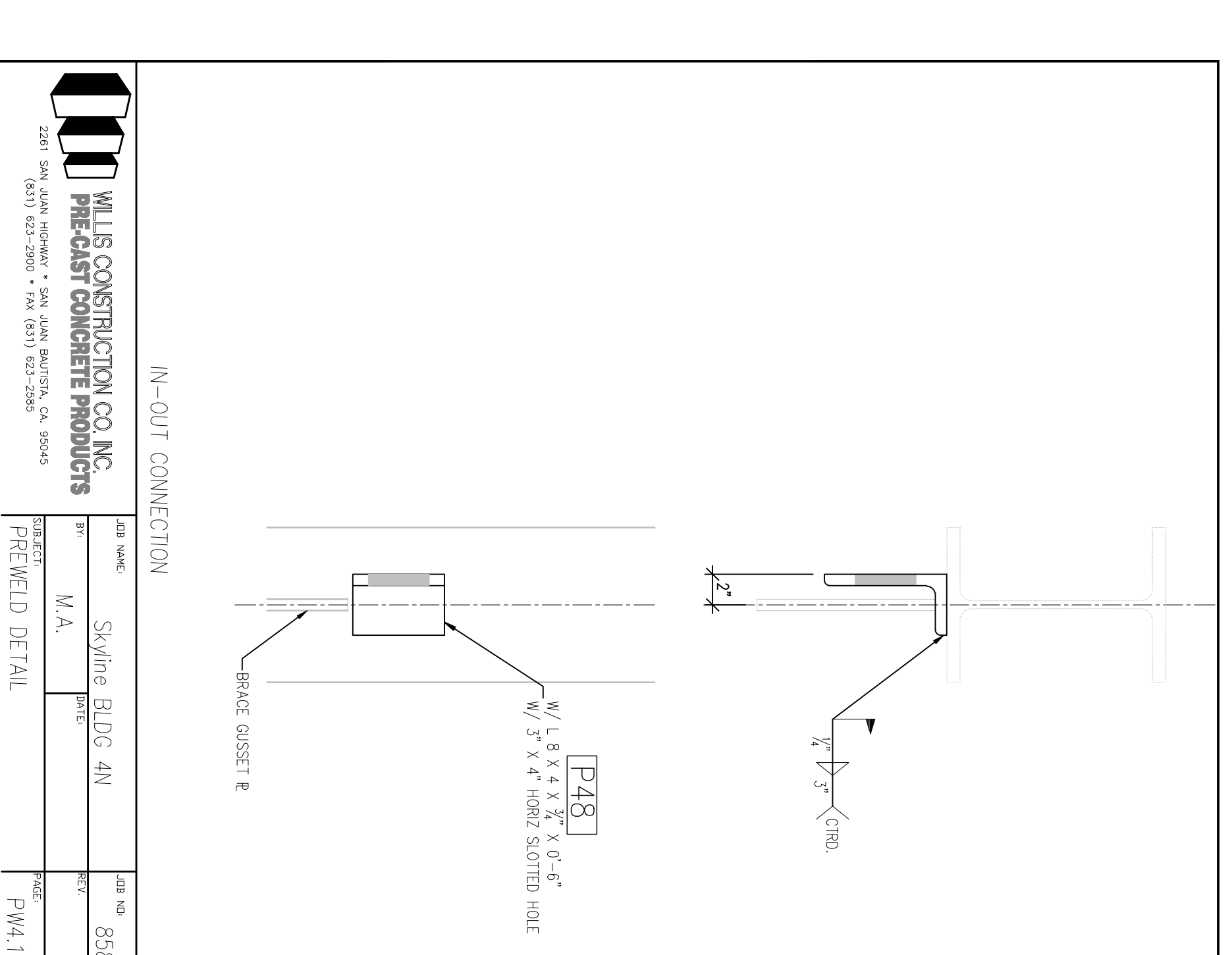
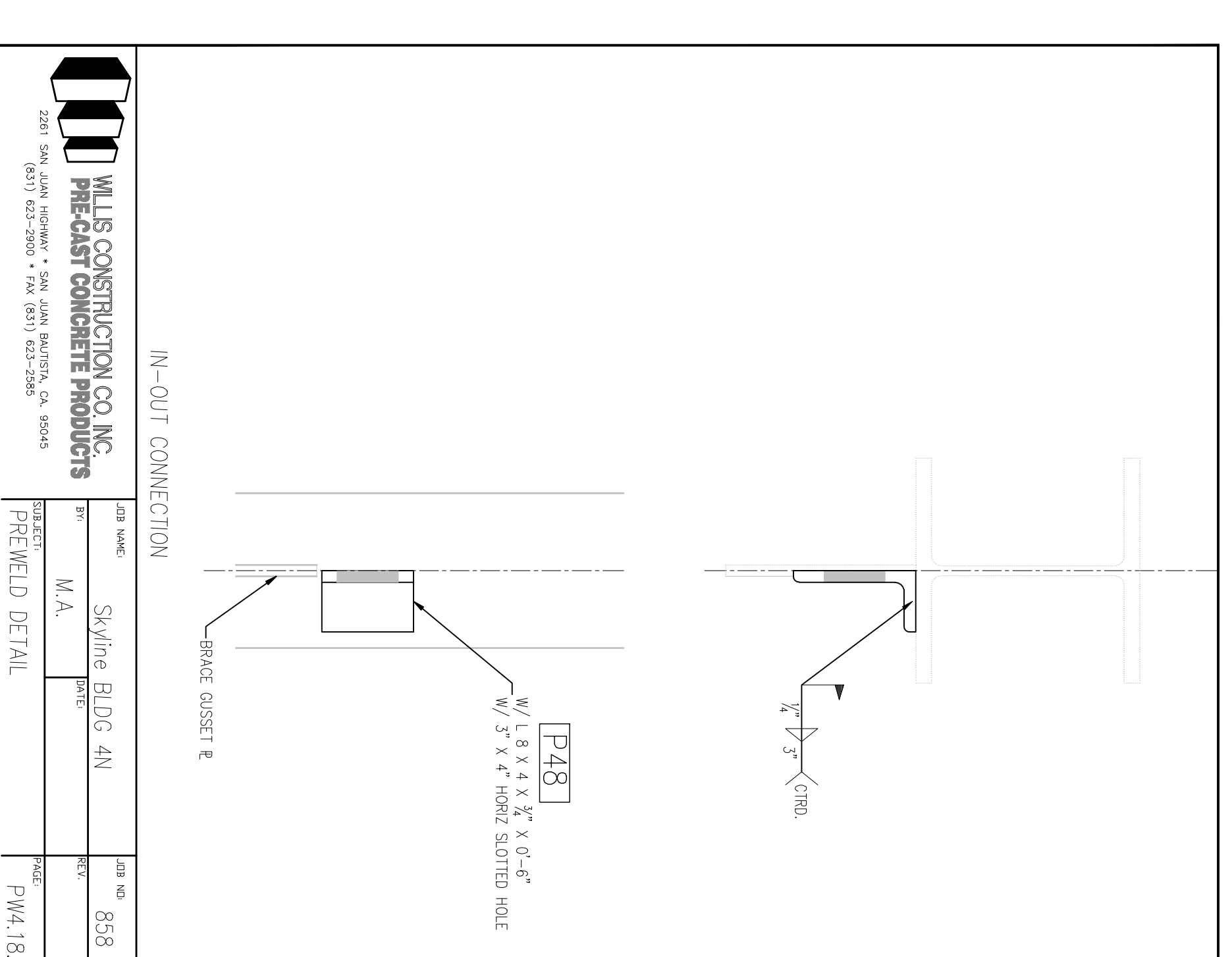
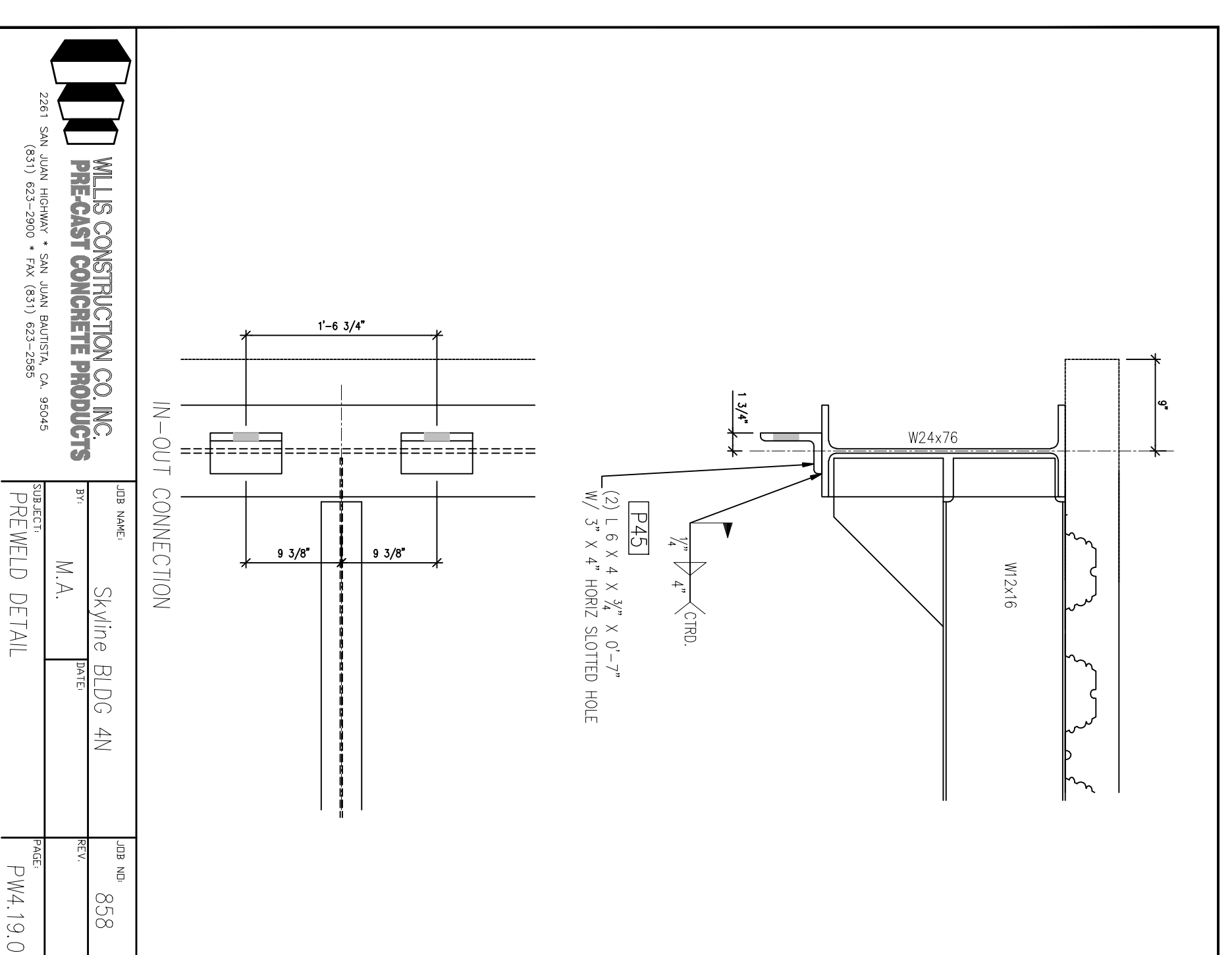
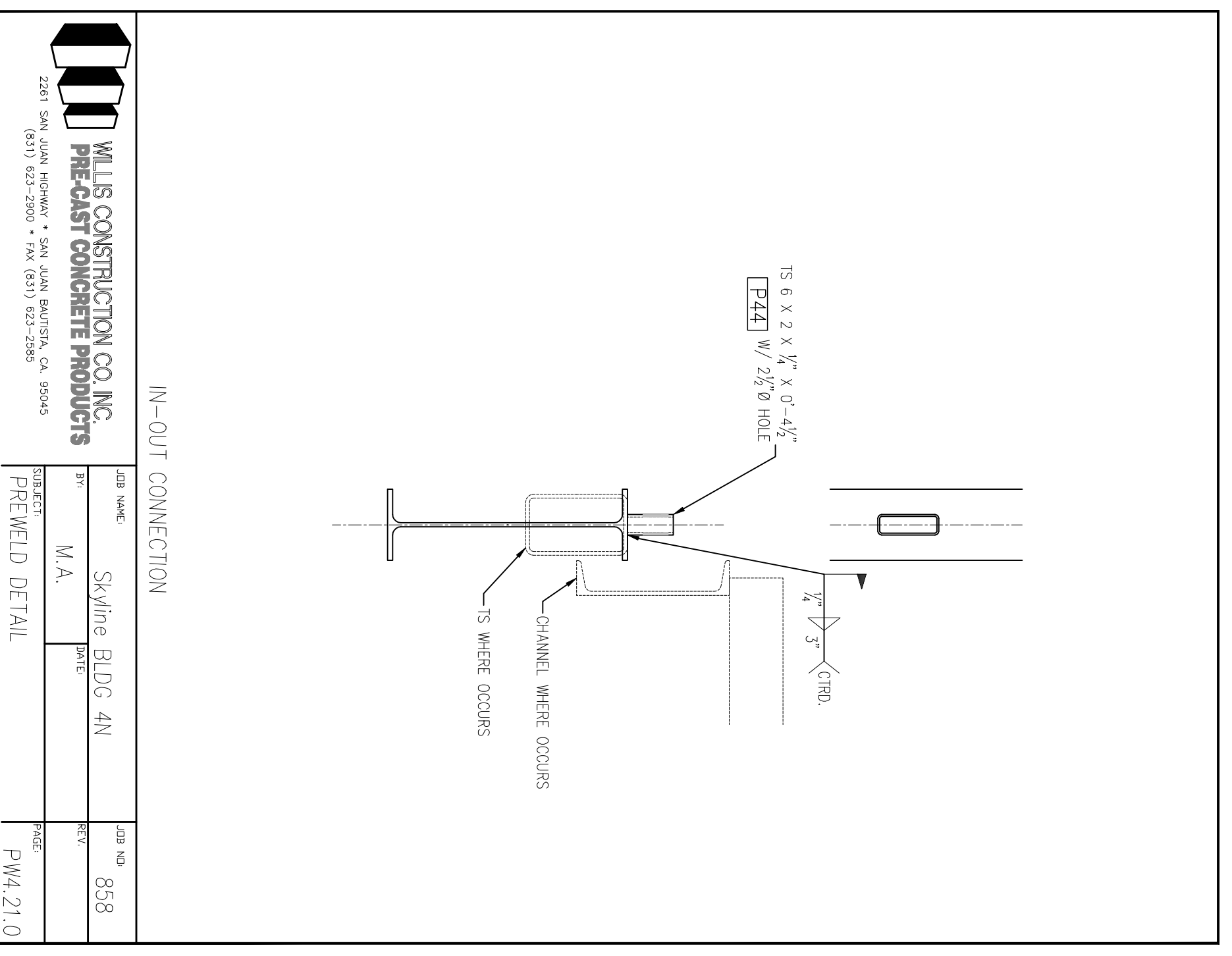
SKYLINE COLLEGE  
 SAN MARINO COUNTY  
 COMMUNITY COLLEGE  
 DESIGN  
 CIP2 DESIGN-BUILD  
 BUILDING 4  
 INCREMENT 2  
 PREWELD

PROJECT NO. 0701200  
 DRAWN BY: JACO  
 DATE: 04/08/09  
 CHECKED BY:  
 SCALE: \_\_\_\_\_

SHEET TITLE  
 PREWELD  
 DETAILS

AS BUILT DRAWINGS  
 JANUARY 12, 2011

PC-942



All drawings and details are the property of Hensel Phelps Construction Co. and shall remain the property of Hensel Phelps Construction Co. No part of these drawings may be reproduced, stored in a retrieval system, or transmitted in any form or by any means, electronic, mechanical, photocopying, recording, or by any information storage and retrieval system, without the prior written permission of Hensel Phelps Construction Co.

This drawing is not to be used for any other project without the prior written permission of Hensel Phelps Construction Co. This drawing is not to be used for any other project without the prior written permission of Hensel Phelps Construction Co.