

NO.	REVISIONS	DATE
1	100% SCHEDULE DESIGN SUBMITTAL	03/10/08
2	90% DESIGN DEVELOPMENT SUBMITTAL	03/10/08
3	100% DESIGN DEVELOPMENT SUBMITTAL	03/10/08
4	FINAL DESIGN DEVELOPMENT SUBMITTAL	03/10/08
5	FINAL DESIGN DEVELOPMENT SUBMITTAL	10/10/08
6	PER REVIEW	11/11/08
7	PER REVIEW	03/11/08
8	STRUCTURE E-GRC PANELS	03/11/08
9	STRUCTURE E-GRC PANELS	03/11/08
10	STRUCTURE E-GRC PANELS	03/11/08
11	STRUCTURE E-GRC PANELS	03/11/08



DIVISION OF THE
 STATE ARCHITECT
 APPL # 01-110117
 FILE # ARCH
 AG _____ RS _____
 SSS _____ DNE _____
 IDENTIFICATION
 STAMP

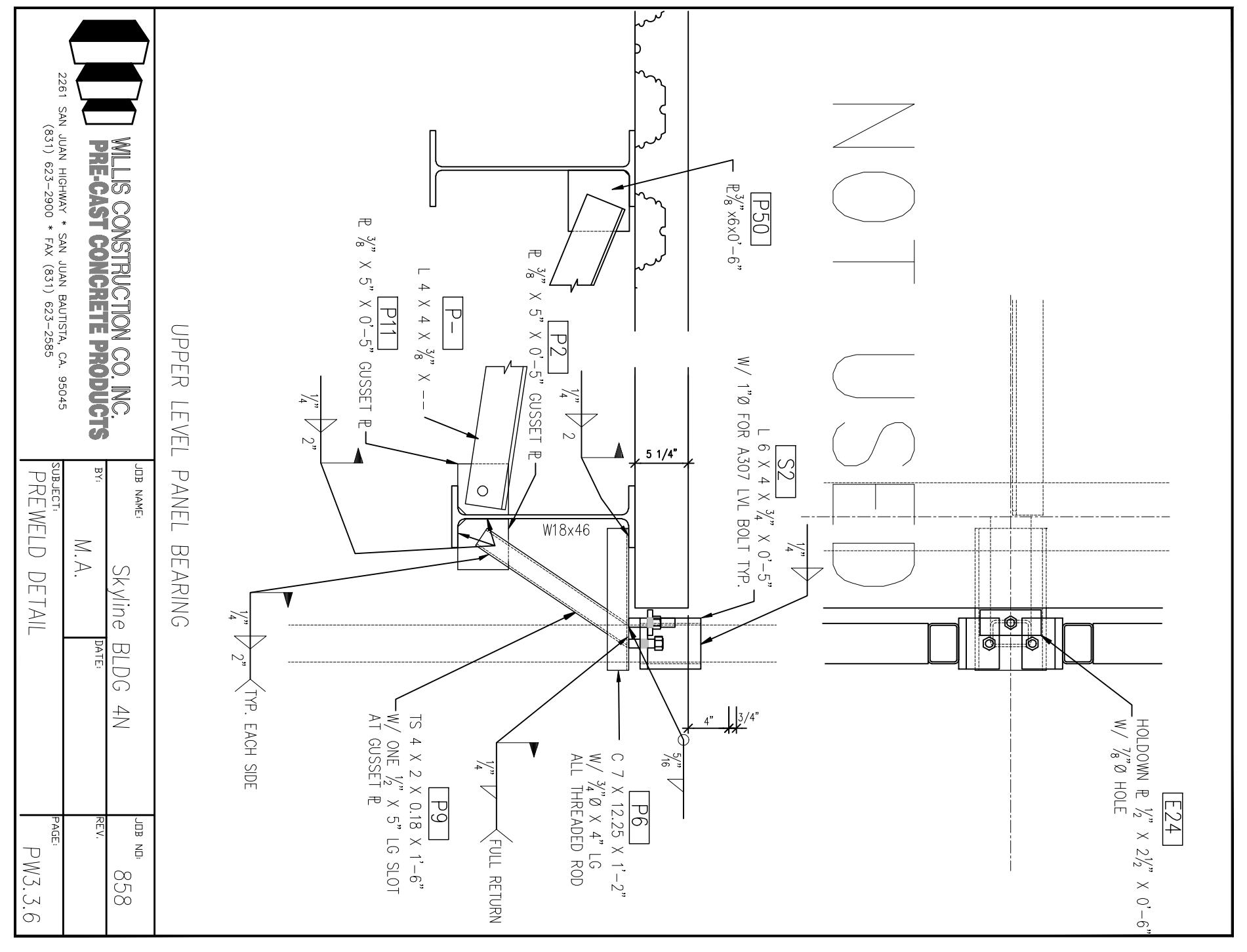
SKYLINE COLLEGE
 SAN JUAN COUNTY
 COMMUNITY COLLEGE
 DESIGN
CIP2 DESIGN-BUILD
PROJECT
BUILDING 4
INCREMENT 2

PROJECT NO. 070120
 DRAWN BY: JGCO
 DATE: 04/08/09
 CHECKED BY:
 SCALE: _____

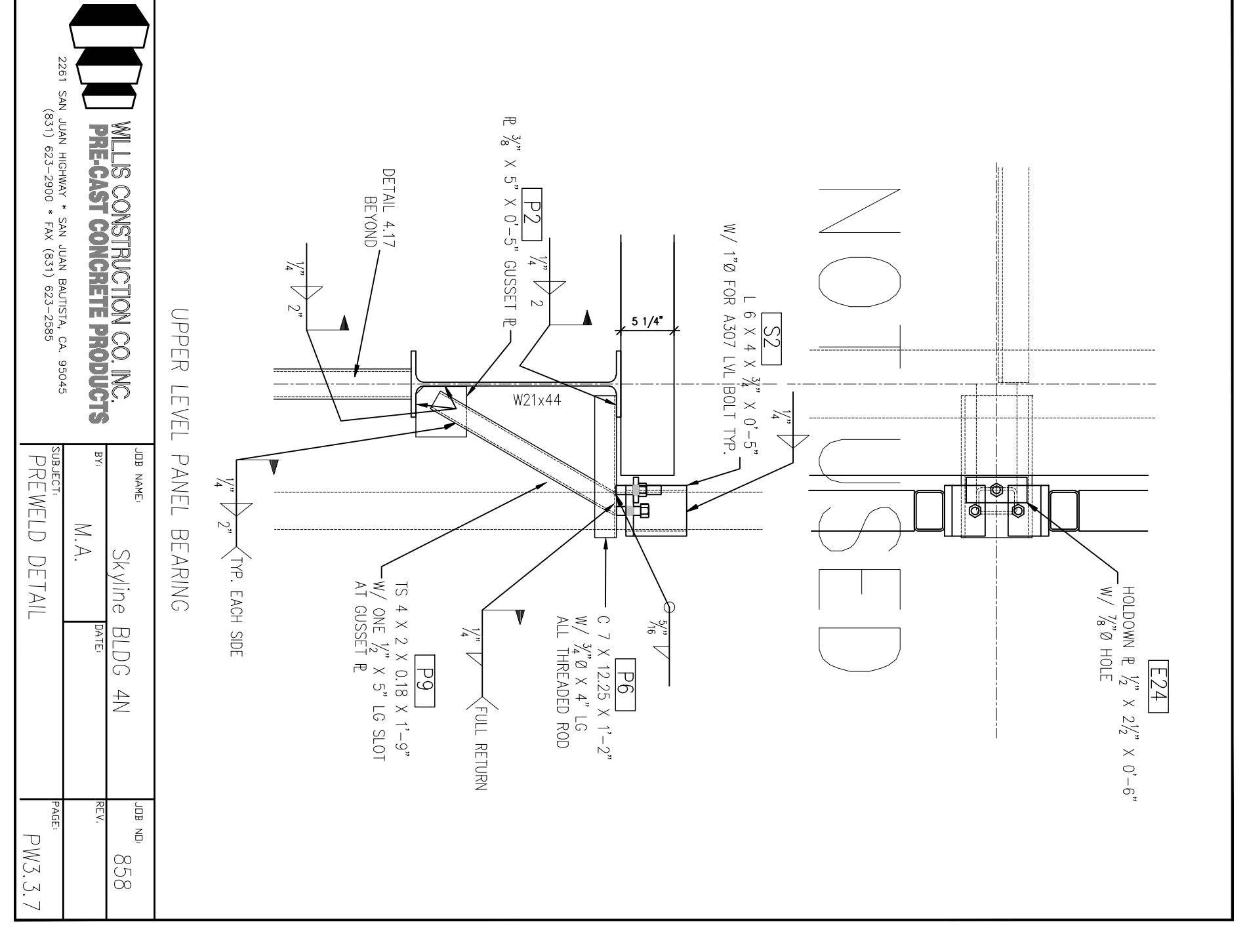
PREWELD
DETAILS

AS BUILT DRAWINGS
JANUARY 12, 2011

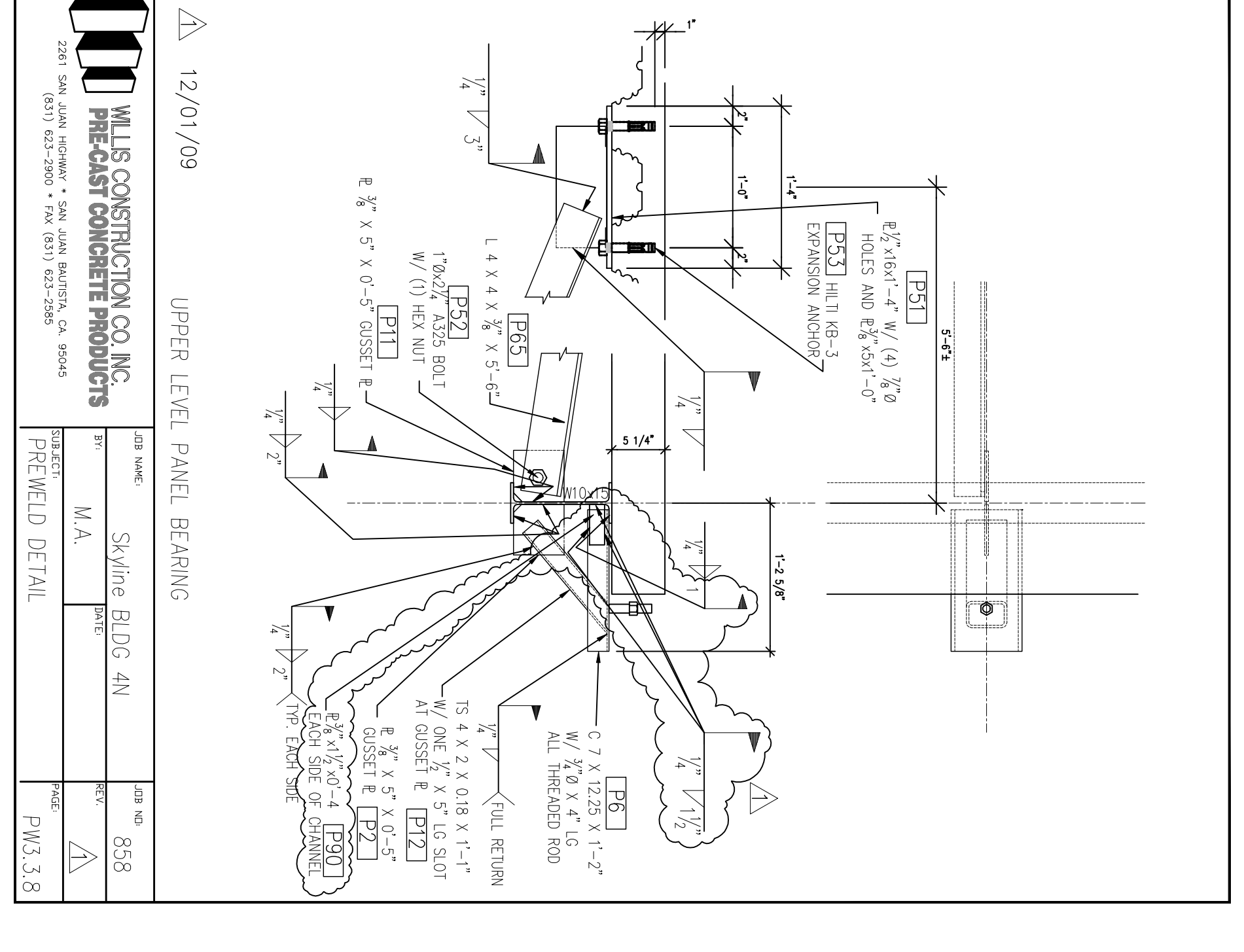
PC-933



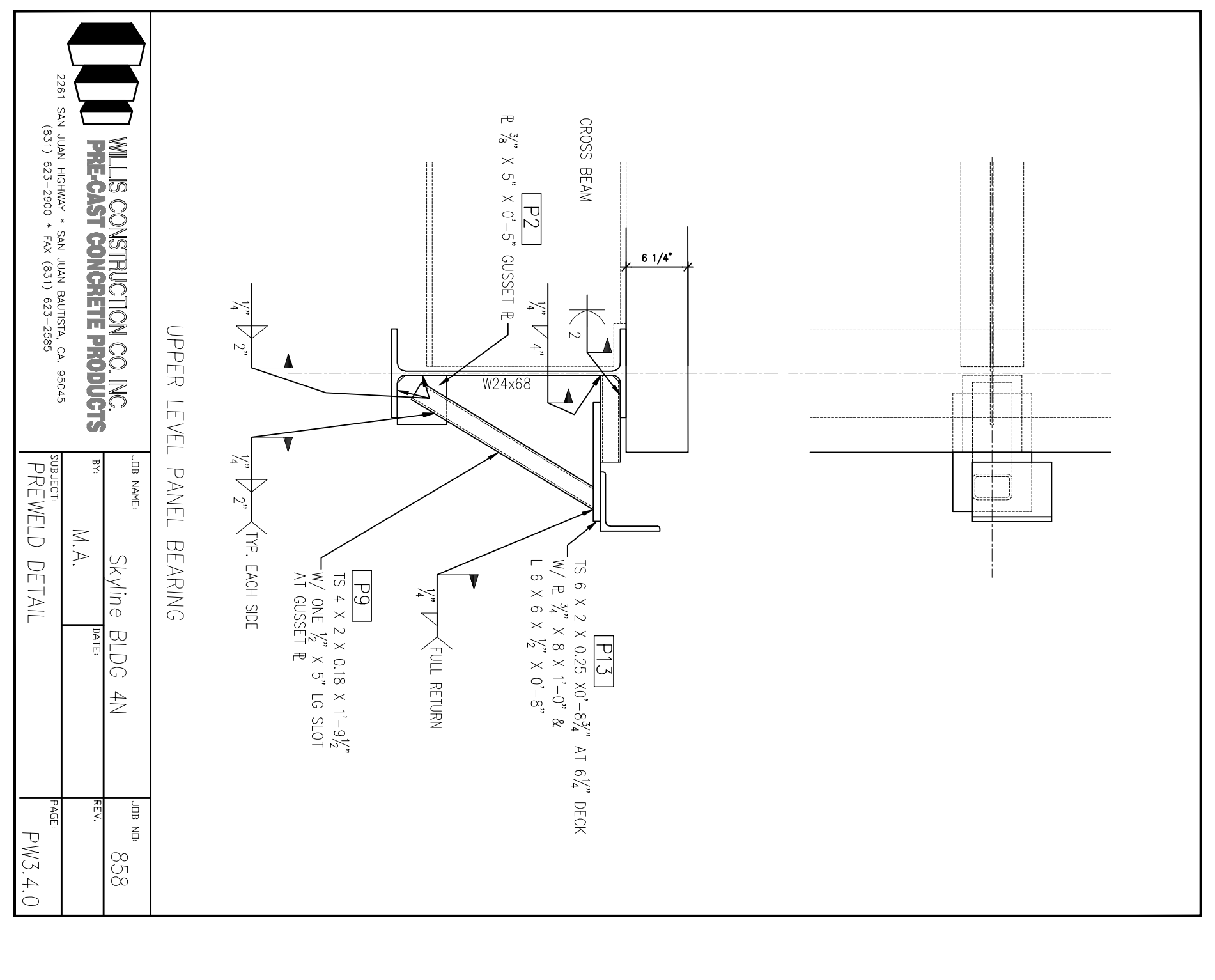
UPPER LEVEL PANEL BEARING
 JOB NO. 858
 PROJECT: Skyline Bldg 4N
 DATE: M.A.
 PREWELD DETAIL
 PW3.3.6



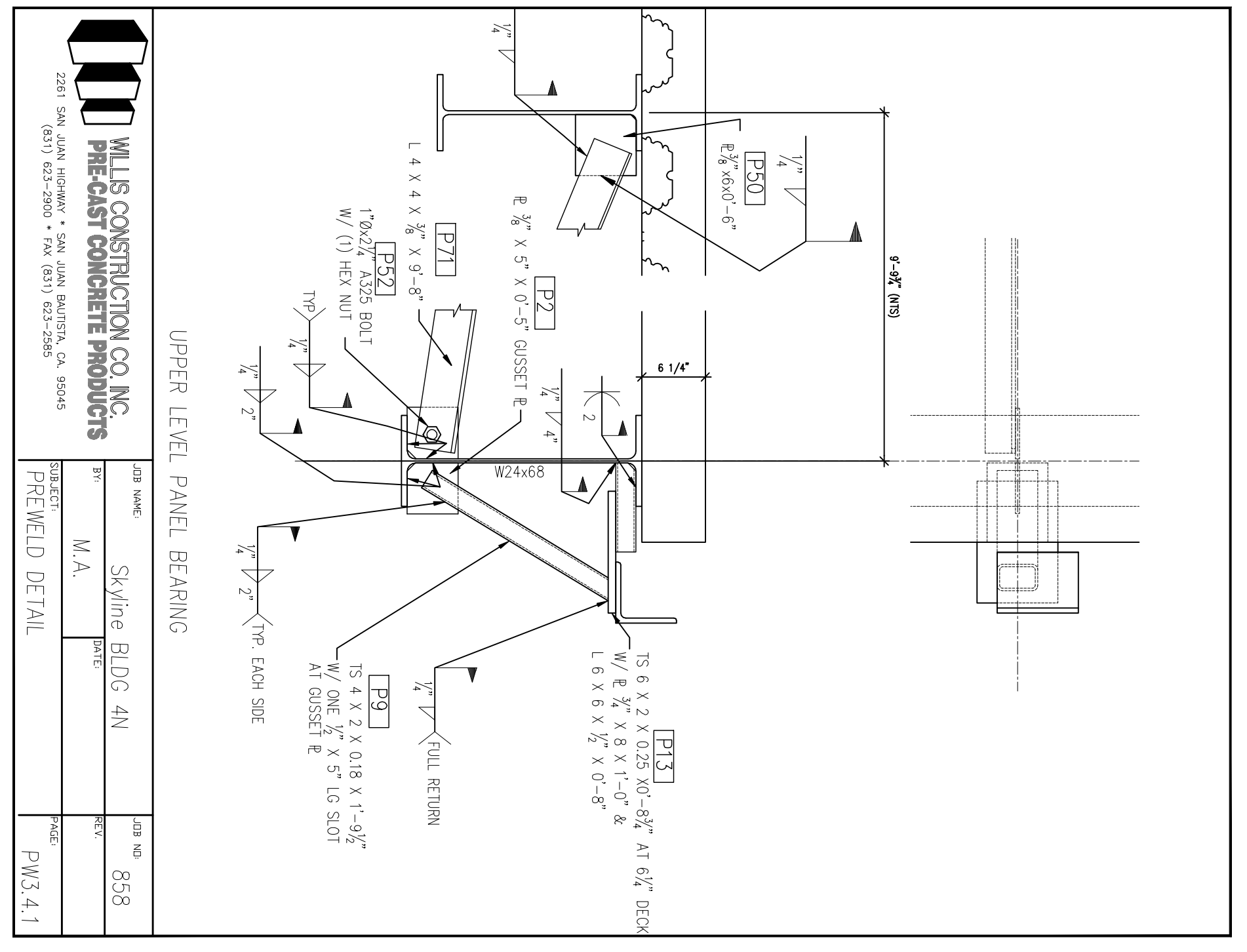
UPPER LEVEL PANEL BEARING
 JOB NO. 858
 PROJECT: Skyline Bldg 4N
 DATE: M.A.
 PREWELD DETAIL
 PW3.3.7



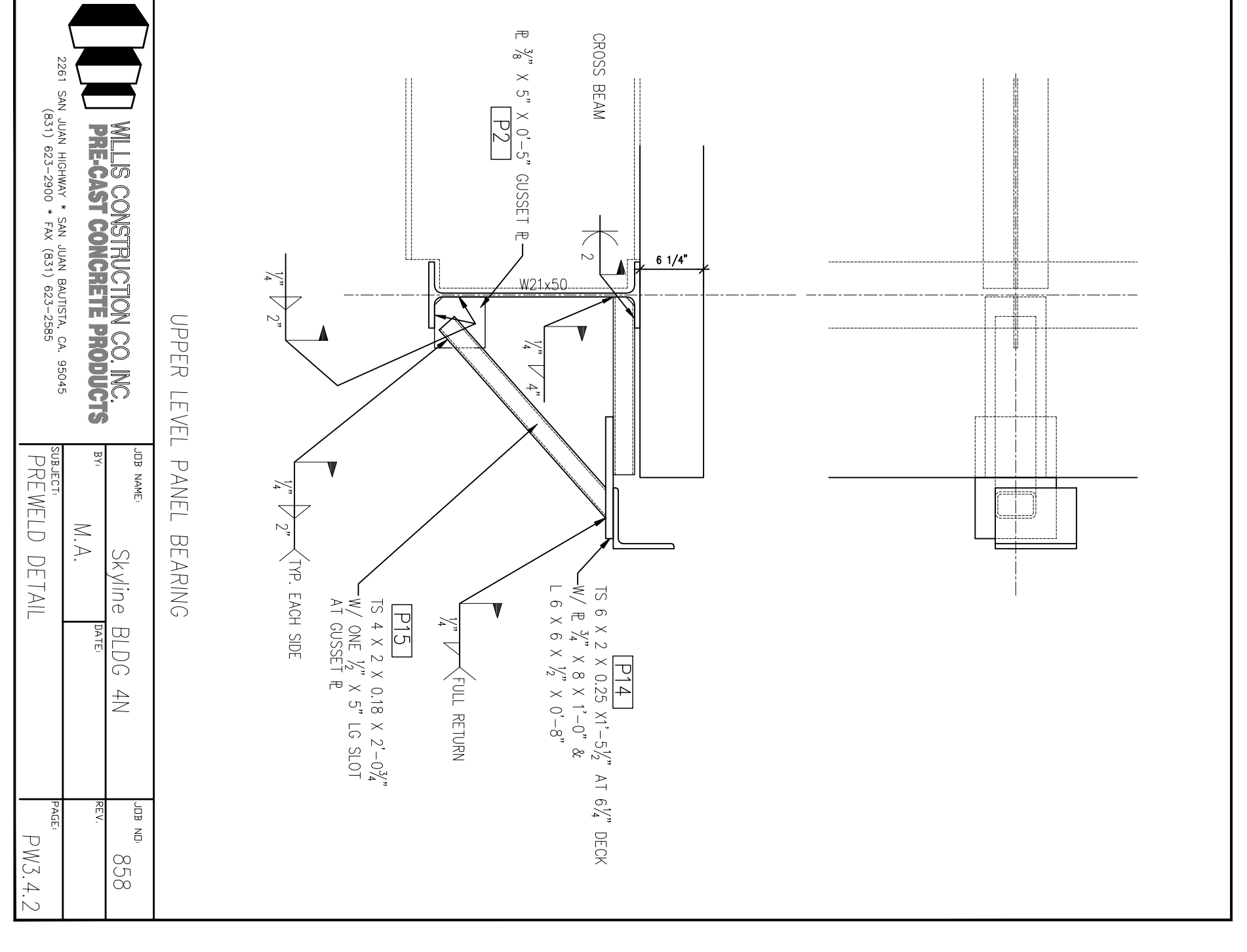
UPPER LEVEL PANEL BEARING
 JOB NO. 858
 PROJECT: Skyline Bldg 4N
 DATE: M.A.
 PREWELD DETAIL
 PW3.3.8



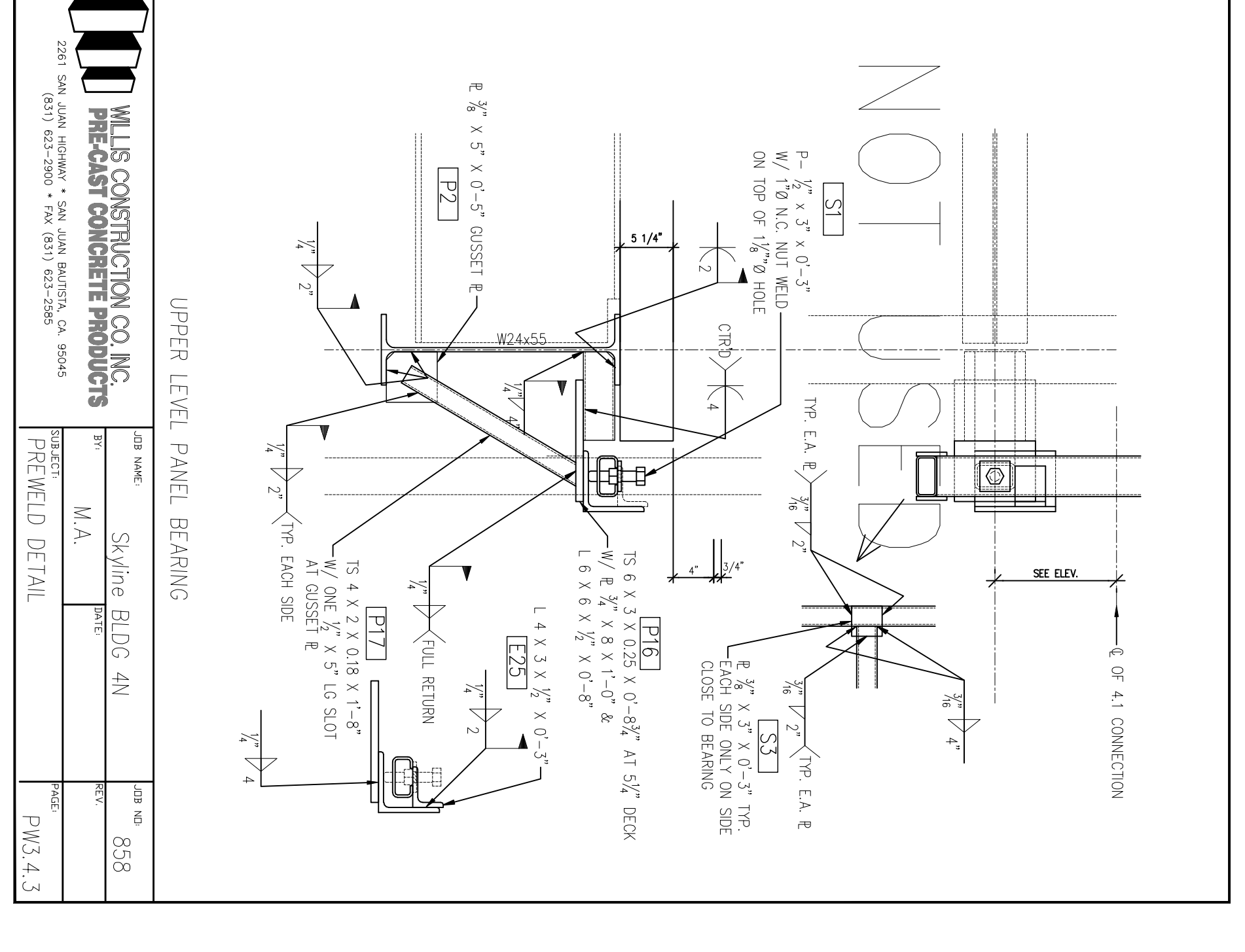
UPPER LEVEL PANEL BEARING
 JOB NO. 858
 PROJECT: Skyline Bldg 4N
 DATE: M.A.
 PREWELD DETAIL
 PW3.4.0



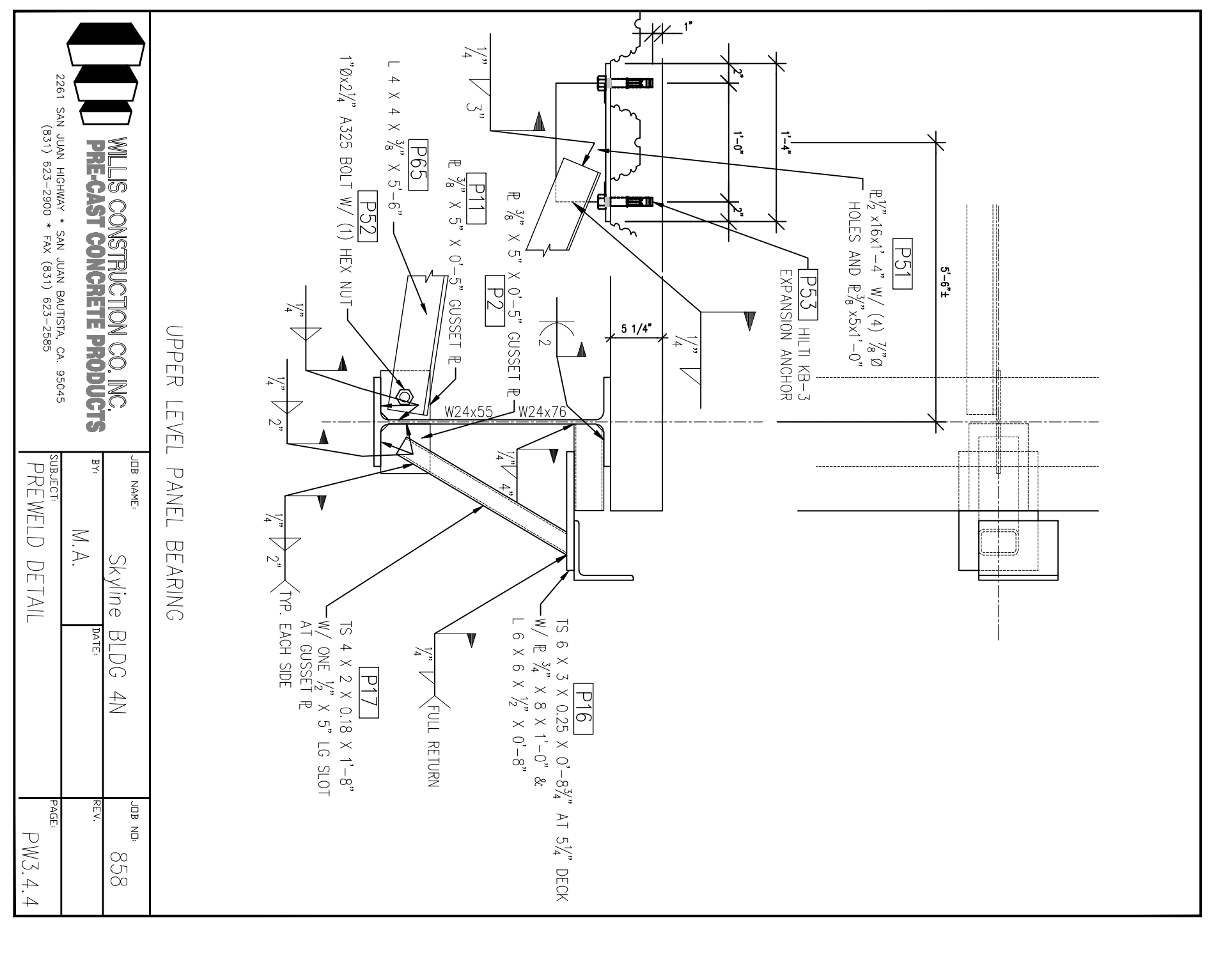
UPPER LEVEL PANEL BEARING
 JOB NO. 858
 PROJECT: Skyline Bldg 4N
 DATE: M.A.
 PREWELD DETAIL
 PW3.4.1



UPPER LEVEL PANEL BEARING
 JOB NO. 858
 PROJECT: Skyline Bldg 4N
 DATE: M.A.
 PREWELD DETAIL
 PW3.4.2



UPPER LEVEL PANEL BEARING
 JOB NO. 858
 PROJECT: Skyline Bldg 4N
 DATE: M.A.
 PREWELD DETAIL
 PW3.4.3



UPPER LEVEL PANEL BEARING
 JOB NO. 858
 PROJECT: Skyline Bldg 4N
 DATE: M.A.
 PREWELD DETAIL
 PW3.4.4