

Steinberg Architects

Hensel Phelps
 Construction Co.

WILLIS CONSTRUCTION CO. INC.
 PRE-CAST CONCRETE PRODUCTS
 2281 SAN JUAN AVENUE, SAN JUAN BAPTIST CA 95033
 (925) 622-2900 FAX (925) 523-2988

NO.	REVISIONS	DATE
1	100% SCHEMATIC DESIGN SUBMITTAL	02/08/10
2	90% DESIGN DEVELOPMENT SUBMITTAL	03/19/10
3	100% DESIGN DEVELOPMENT SUBMITTAL	03/26/10
4	FINAL DESIGN DEVELOPMENT SUBMITTAL	03/26/10
5	PERMITS	10/09/10
6	PER REVIEW	11/11/10
7	PER REVIEW	11/11/10
8	STRUCTURE & GRC PANELS	03/11/10
9	PER REVIEW	03/11/10
10	PER REVIEW	03/11/10
11	PER REVIEW	03/11/10



DIVISION OF THE
 STATE ARCHITECT
 APPL # 01-10117
 FILE # A-101
 AG _____ RS _____
 SSS _____ DME _____
 IDENTIFICATION
 STAMP

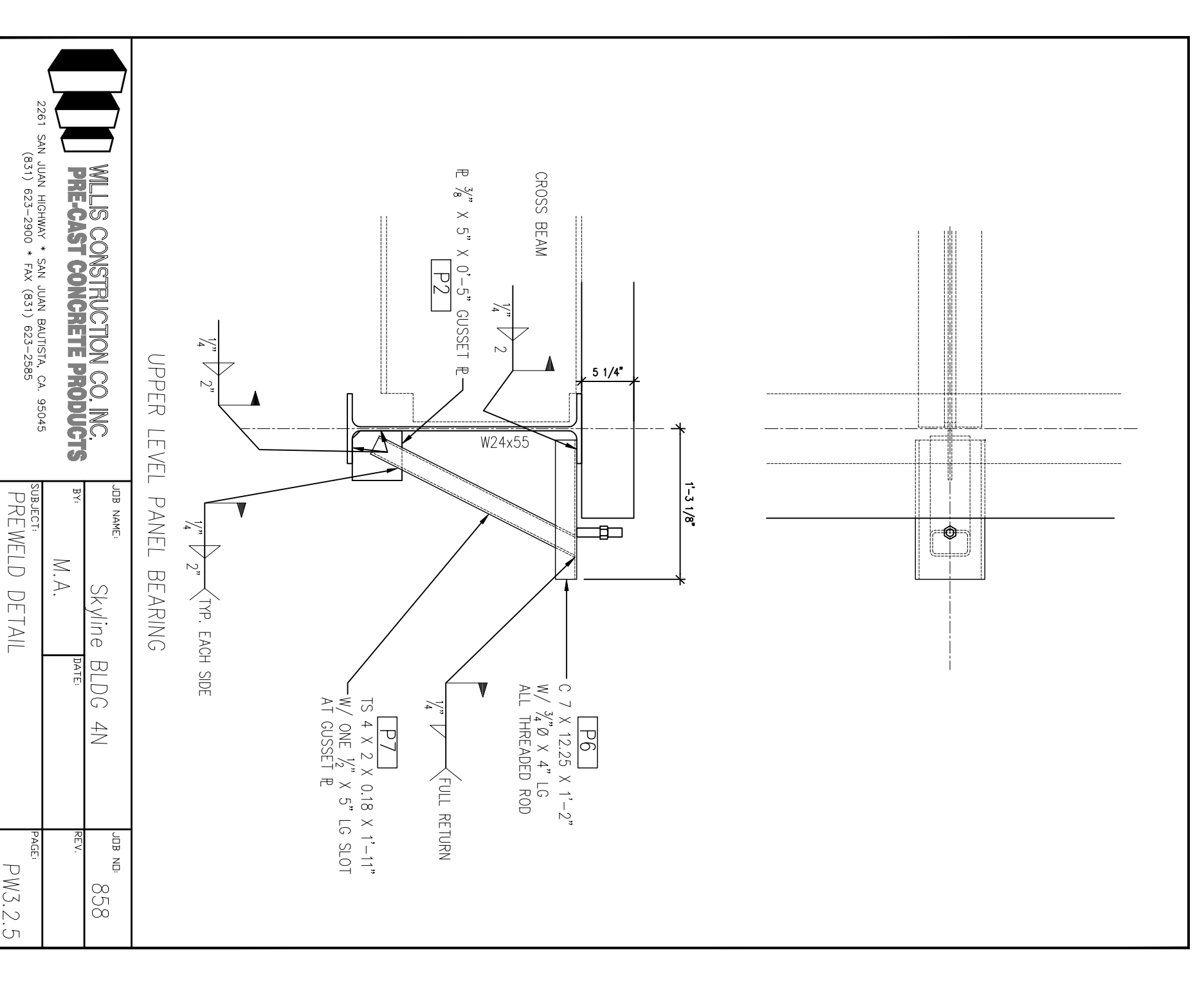
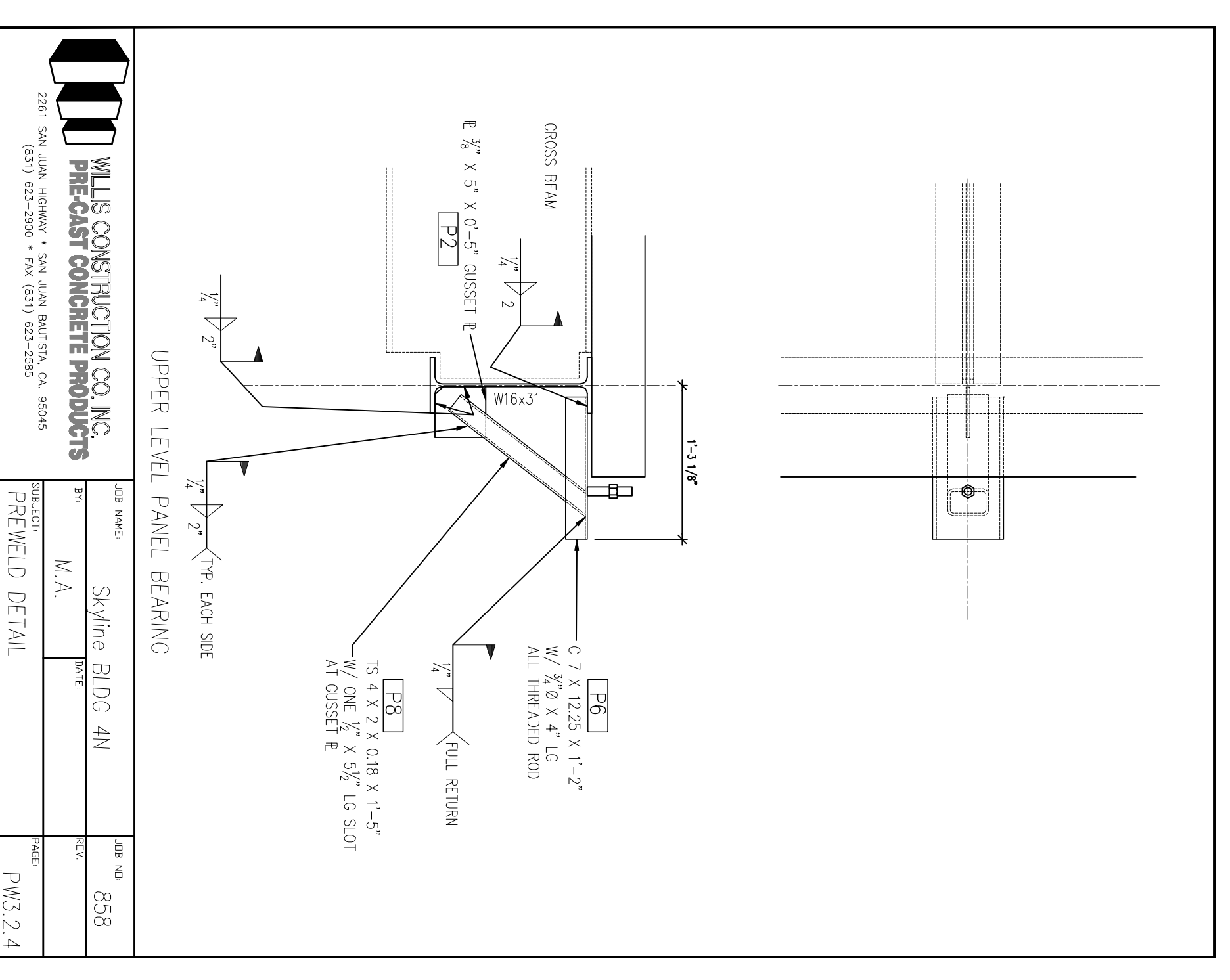
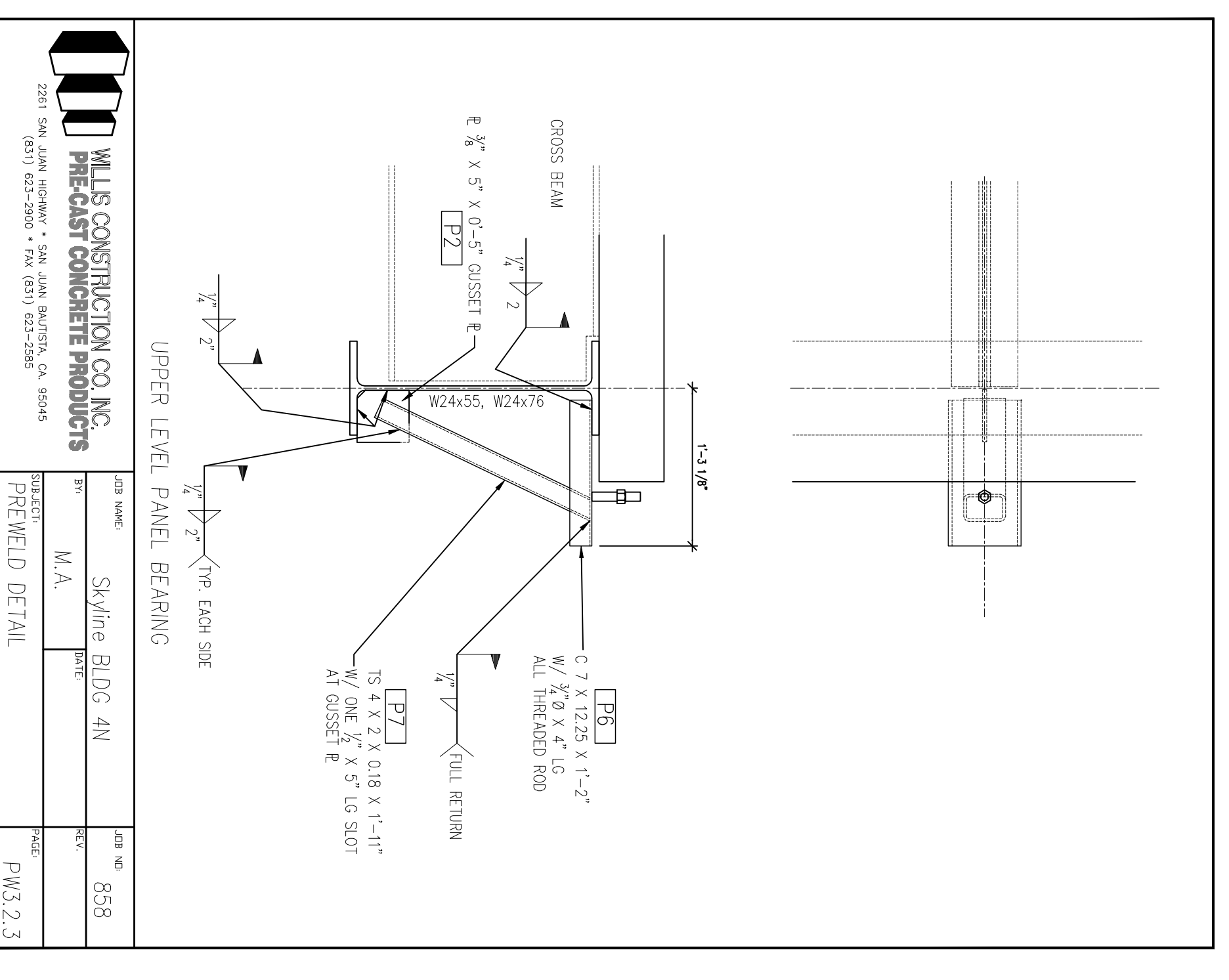
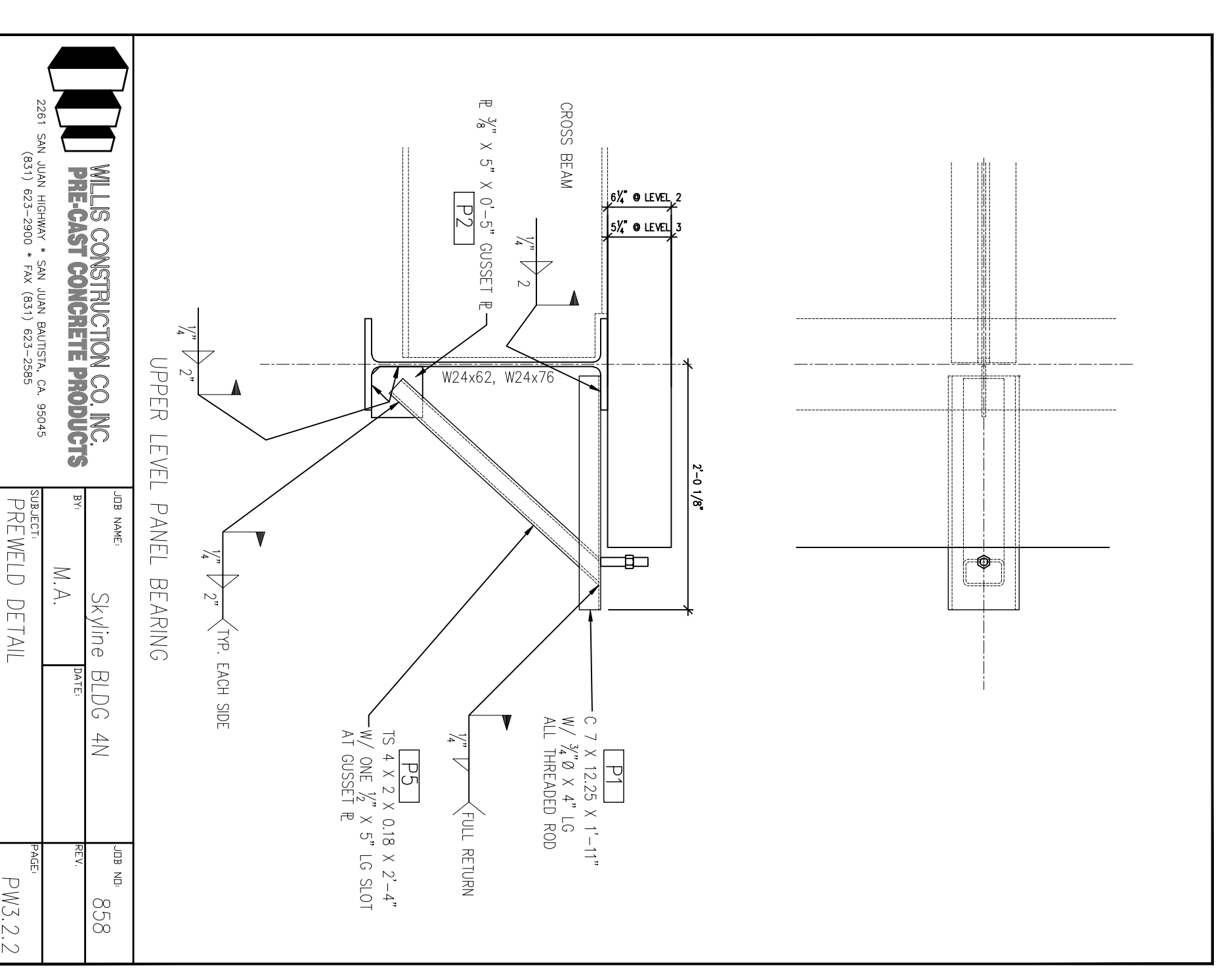
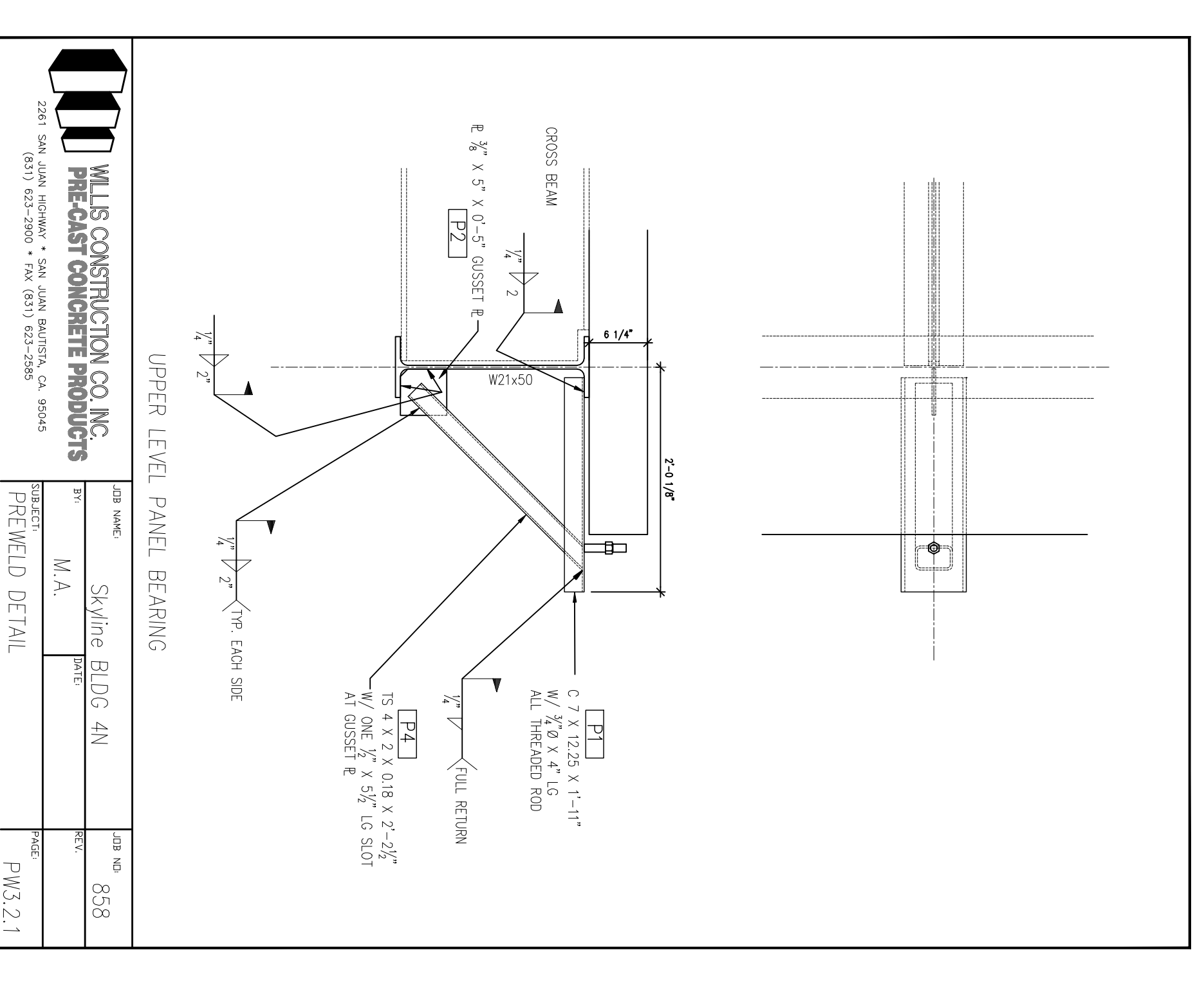
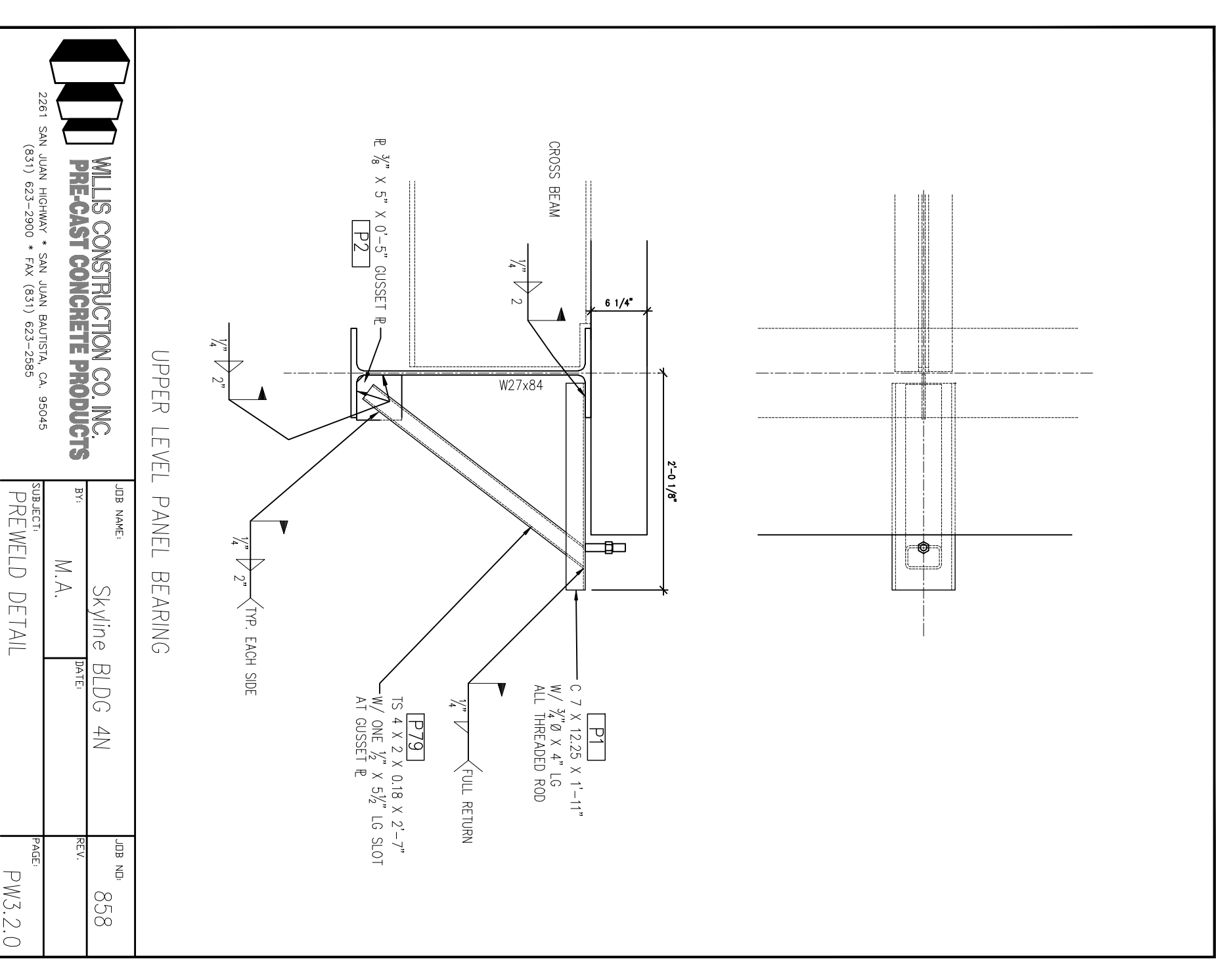
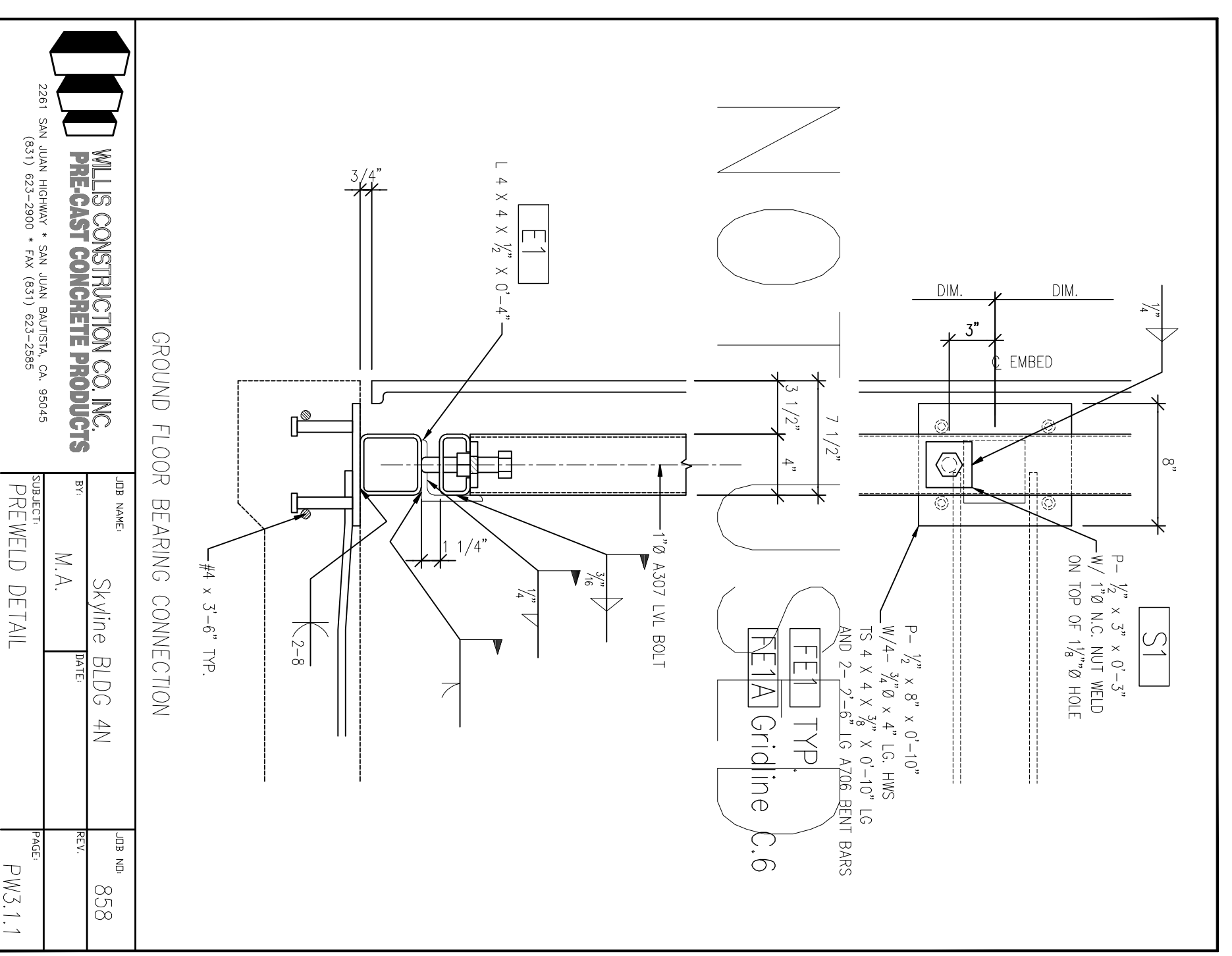
SKYLINE COLLEGE
 SAN JUAN COUNTY
 COMMUNITY COLLEGE
 DESIGN
CIP2 DESIGN-BUILD
PROJECT
BUILDING 4
INCREMENT 2
 PREPARED BY _____

PROJECT NO. 0701200
 DRAWING NO. 0200
 DATE: 04/28/09
 SCALE: _____

PREWELD DETAILS

AS BUILT DRAWINGS
 JANUARY 12, 2011

PC-931



All drawings and details are the property of Willis Construction Co. Inc. and shall remain the property of Willis Construction Co. Inc. No part of these drawings may be reproduced, stored or disseminated without the consent of Willis Construction Co. Inc.

This drawing is not for construction. It is for informational purposes only. The user shall be responsible for the accuracy of the information provided. This drawing shall be used for informational purposes only.