

NO.	REVISION/DESCRIPTION	DATE
1	100% SCHEDULED DESIGN SUBMITTAL	03/20/18
2	90% DESIGN DEVELOPMENT SUBMITTAL	03/20/18
3	100% DESIGN DEVELOPMENT SUBMITTAL	03/20/18
4	REVISIONS TO REFLECT COMMENTS	03/20/18
5	REVISIONS TO REFLECT COMMENTS	10/05/18
6	REVISIONS TO REFLECT COMMENTS	10/05/18
7	REVISIONS TO REFLECT COMMENTS	10/05/18
8	REVISIONS TO REFLECT COMMENTS	10/05/18
9	REVISIONS TO REFLECT COMMENTS	10/05/18
10	REVISIONS TO REFLECT COMMENTS	10/05/18
11	REVISIONS TO REFLECT COMMENTS	03/11/18



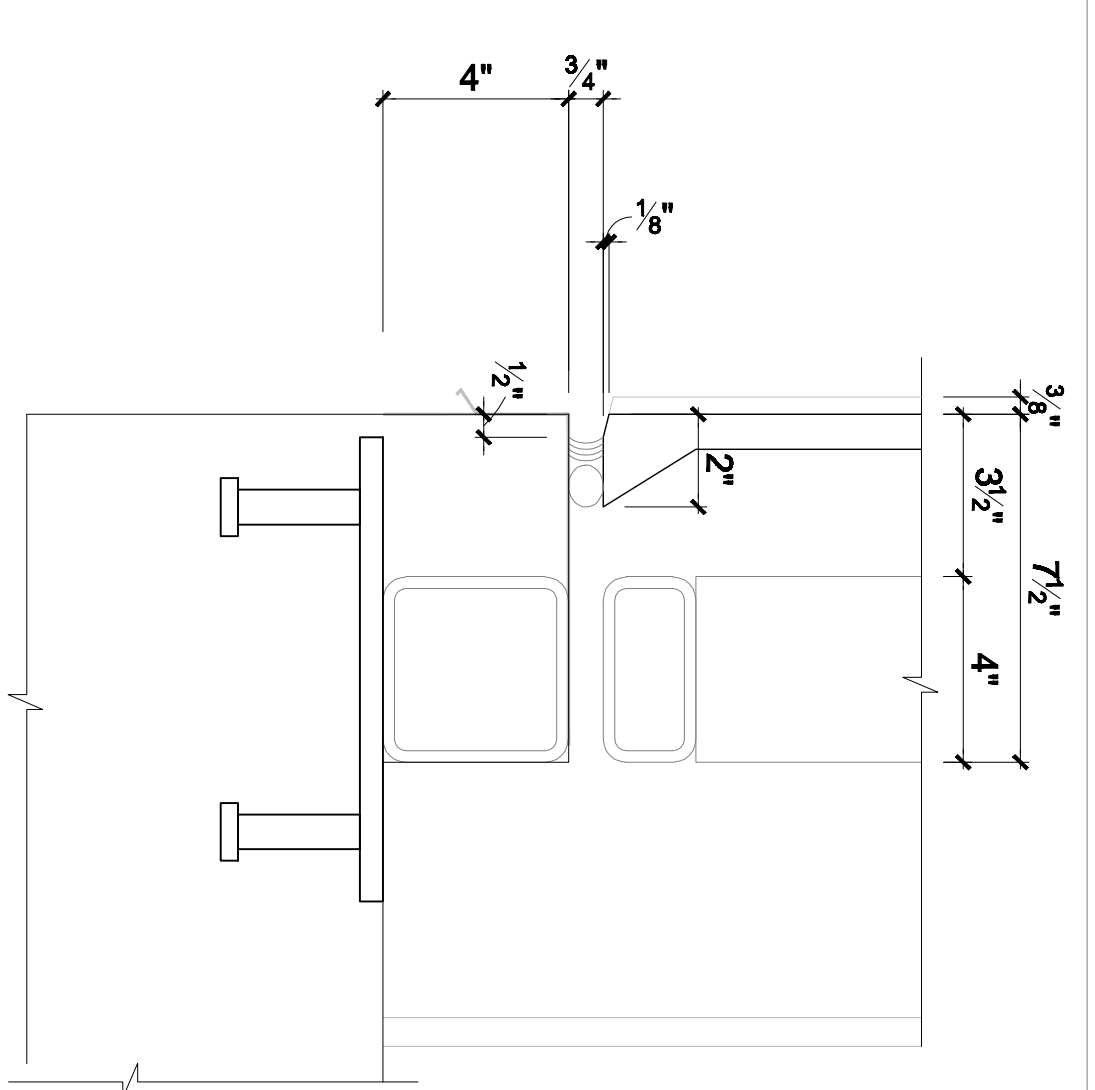
DIVISION OF THE
 STATE ARCHITECT
 APPL # 01-110117
 FILE # ADCLT
 AG _____ RS _____
 SSS _____ DNE _____
 IDENTIFICATION
 STAMP

SKYLINE COLLEGE
 SAN JUAN COUNTY
 COMMUNITY COLLEGE
 CIP2 DESIGN-BUILD
 PROJECT BUILDING 4
 INCREMENT 2

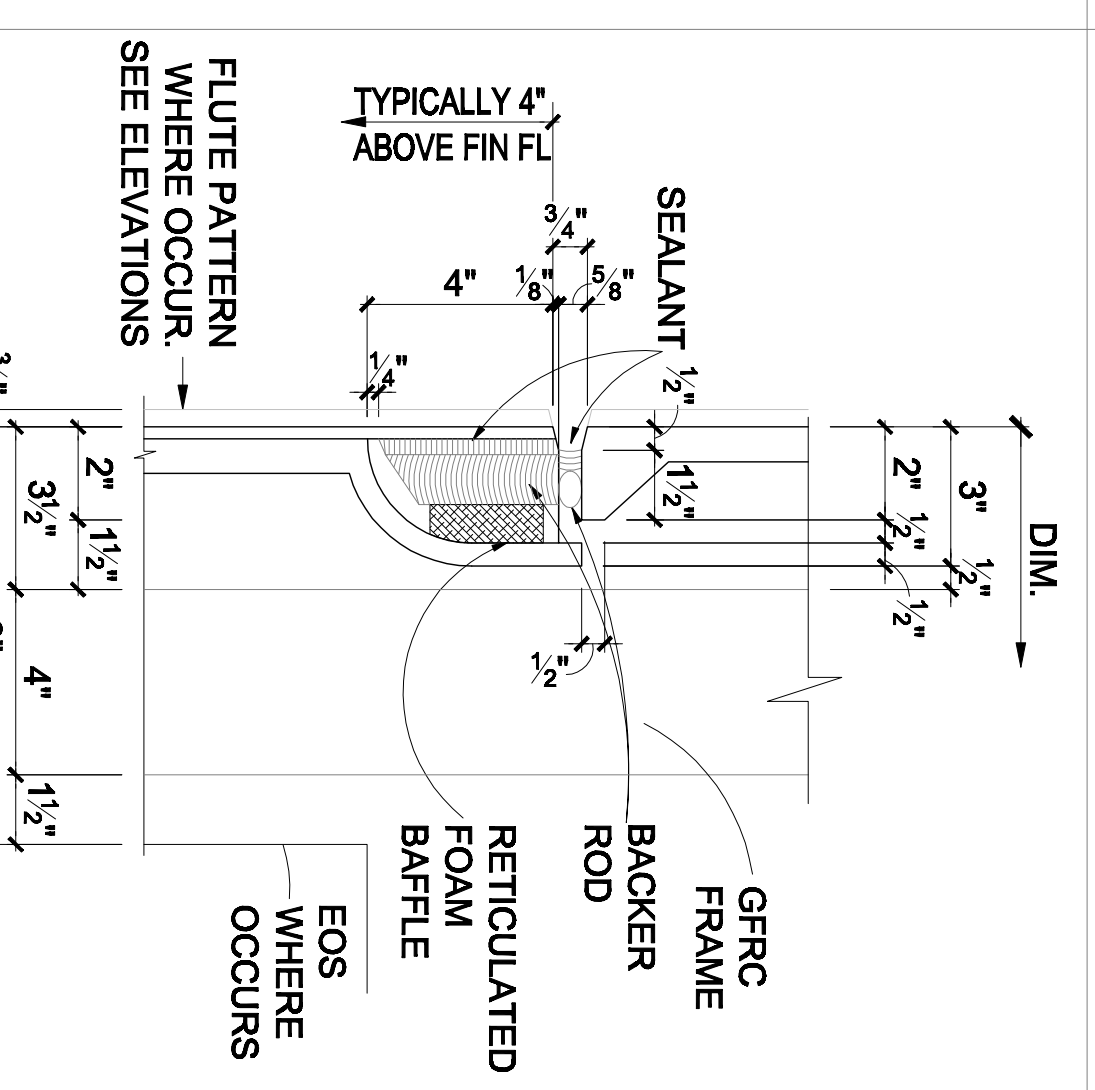
**GFRG PANEL
 DETAILS**

**AS BUILT DRAWINGS
 JANUARY 12, 2011**

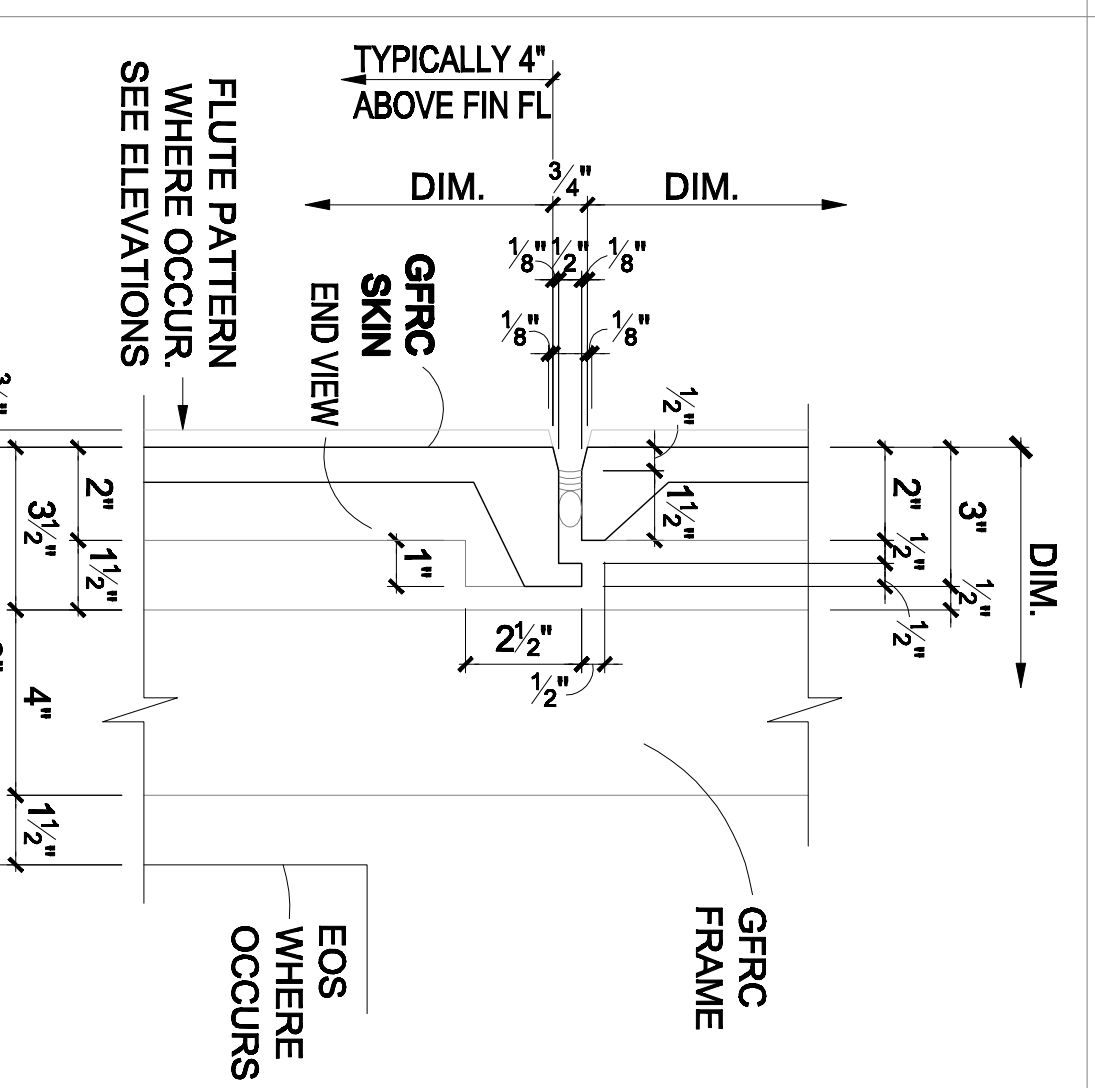
PC-851



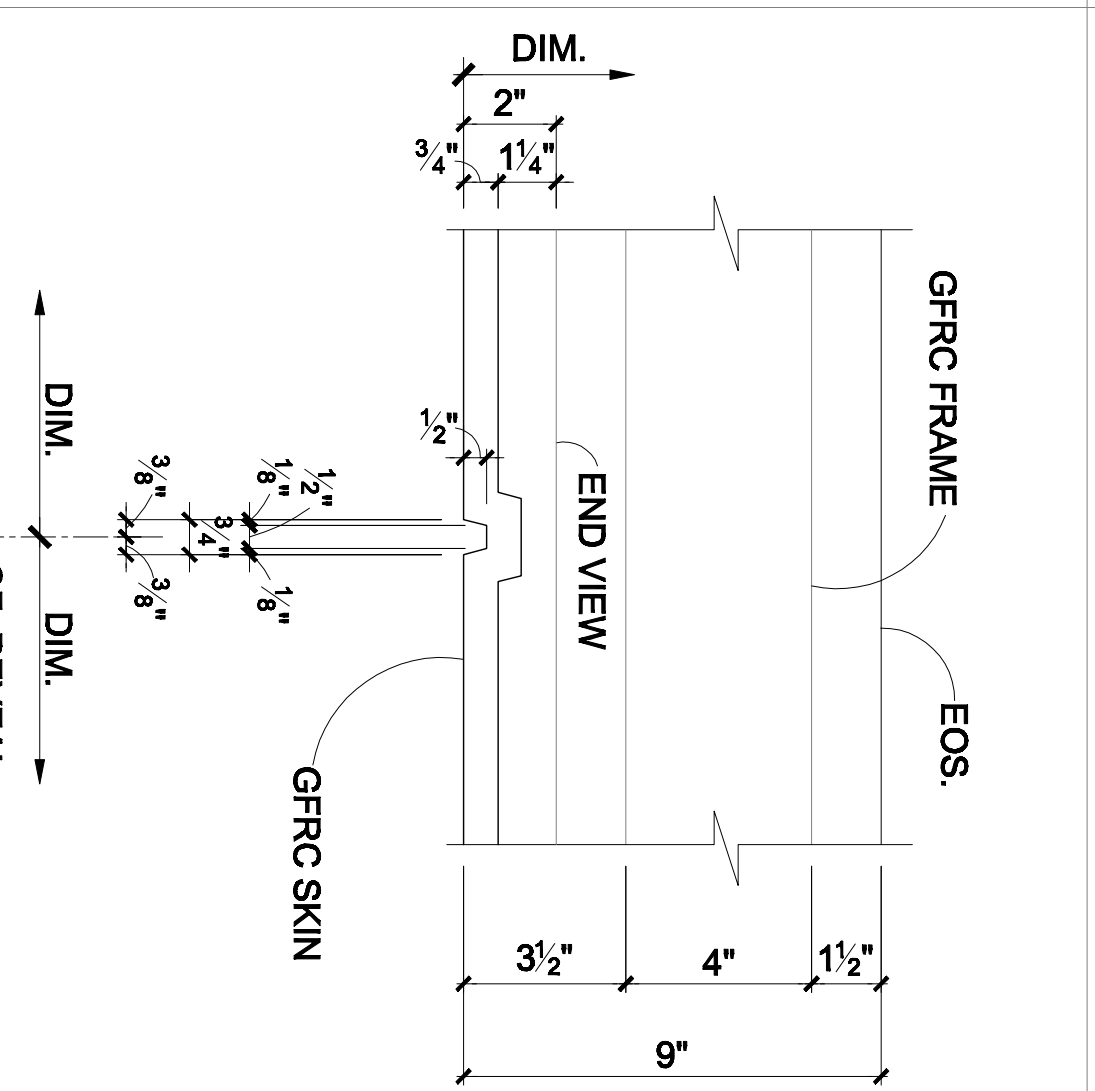
AD6
 DETAIL AT GFRG PANEL
 REF: 10-11/A-803, 3/A-324



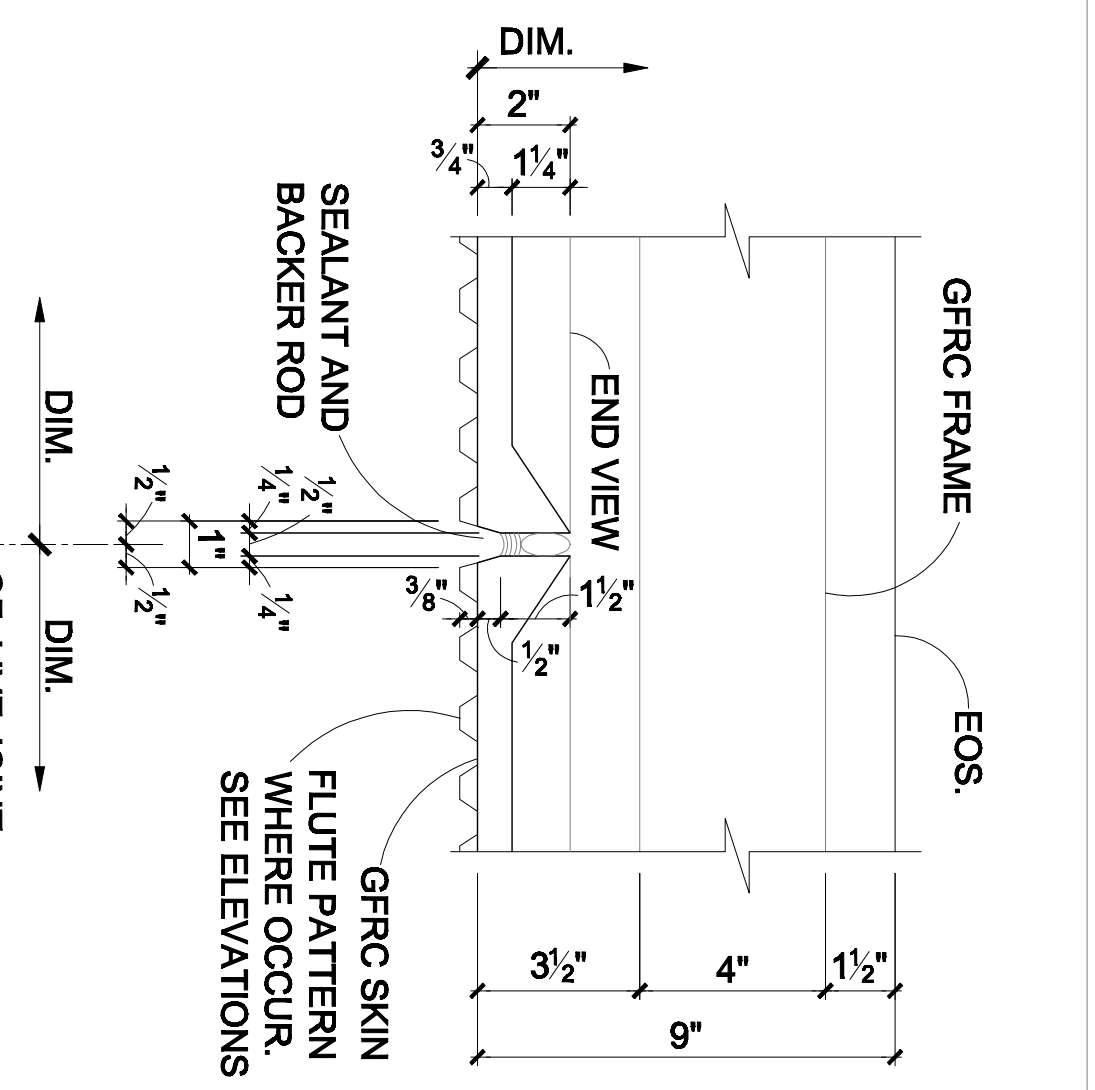
AD5
 DRAIN AT HORIZONTAL SKIN JOINT
 REF: NONE



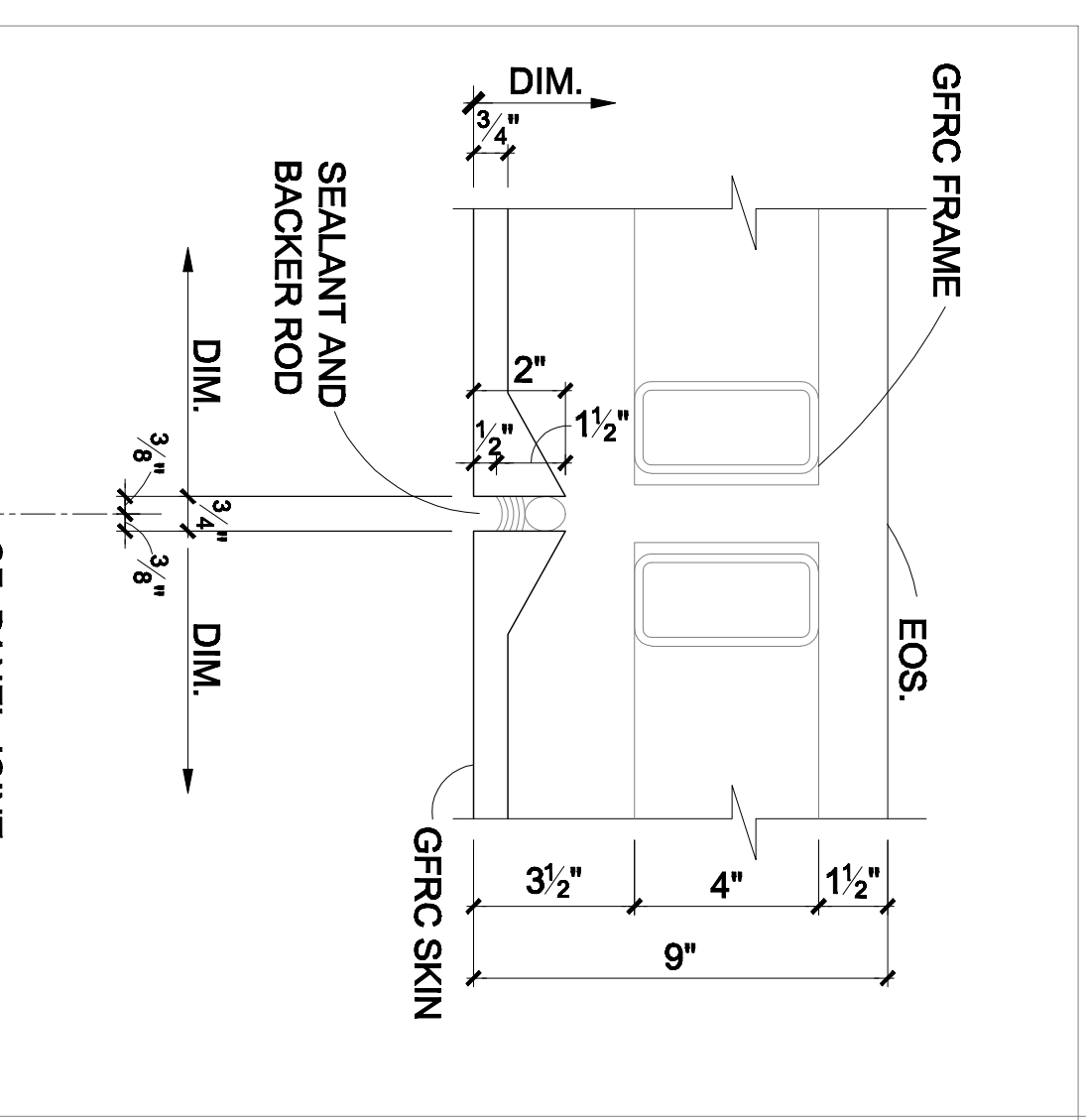
AD4
 HORIZONTAL SKIN JOINT
 REF: NONE



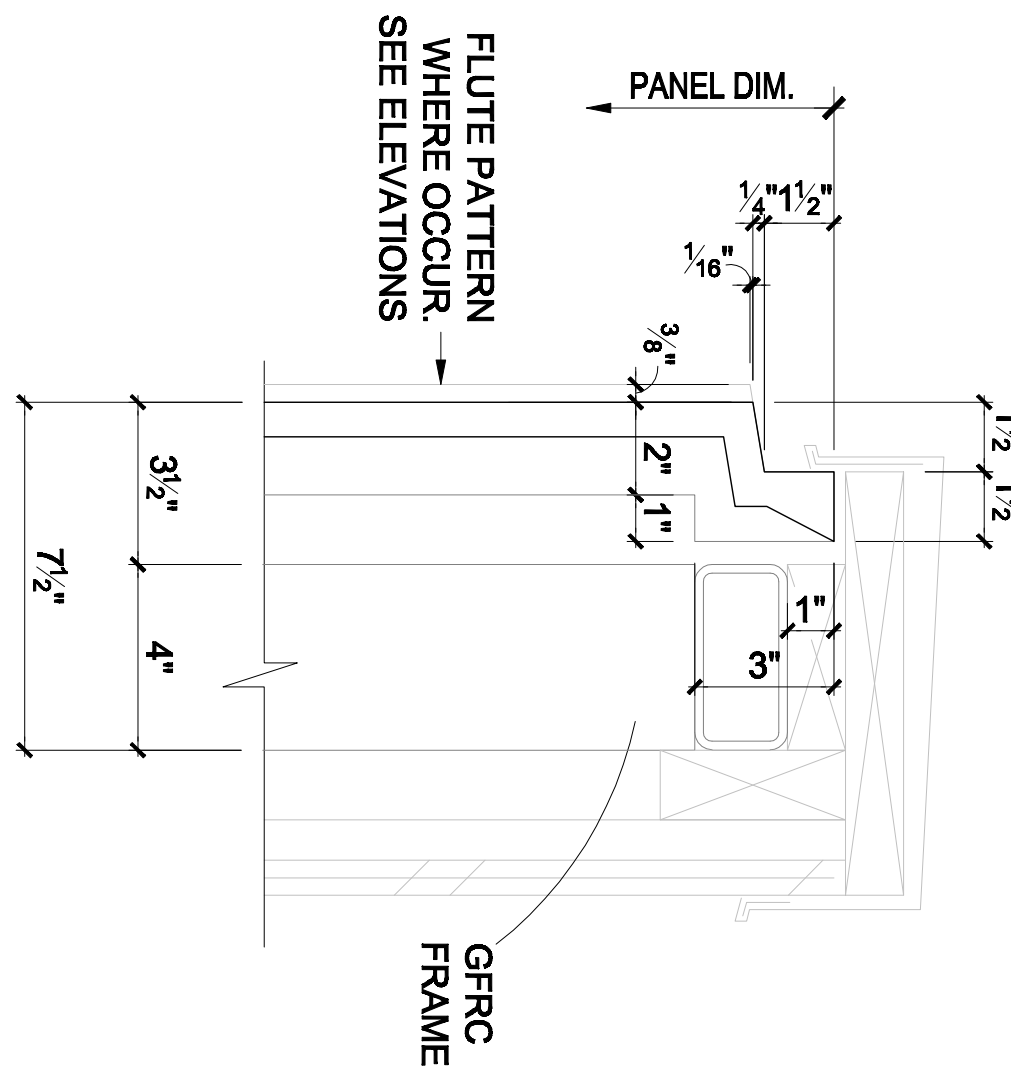
AD3
 REVEAL
 REF: 3-7/A-803



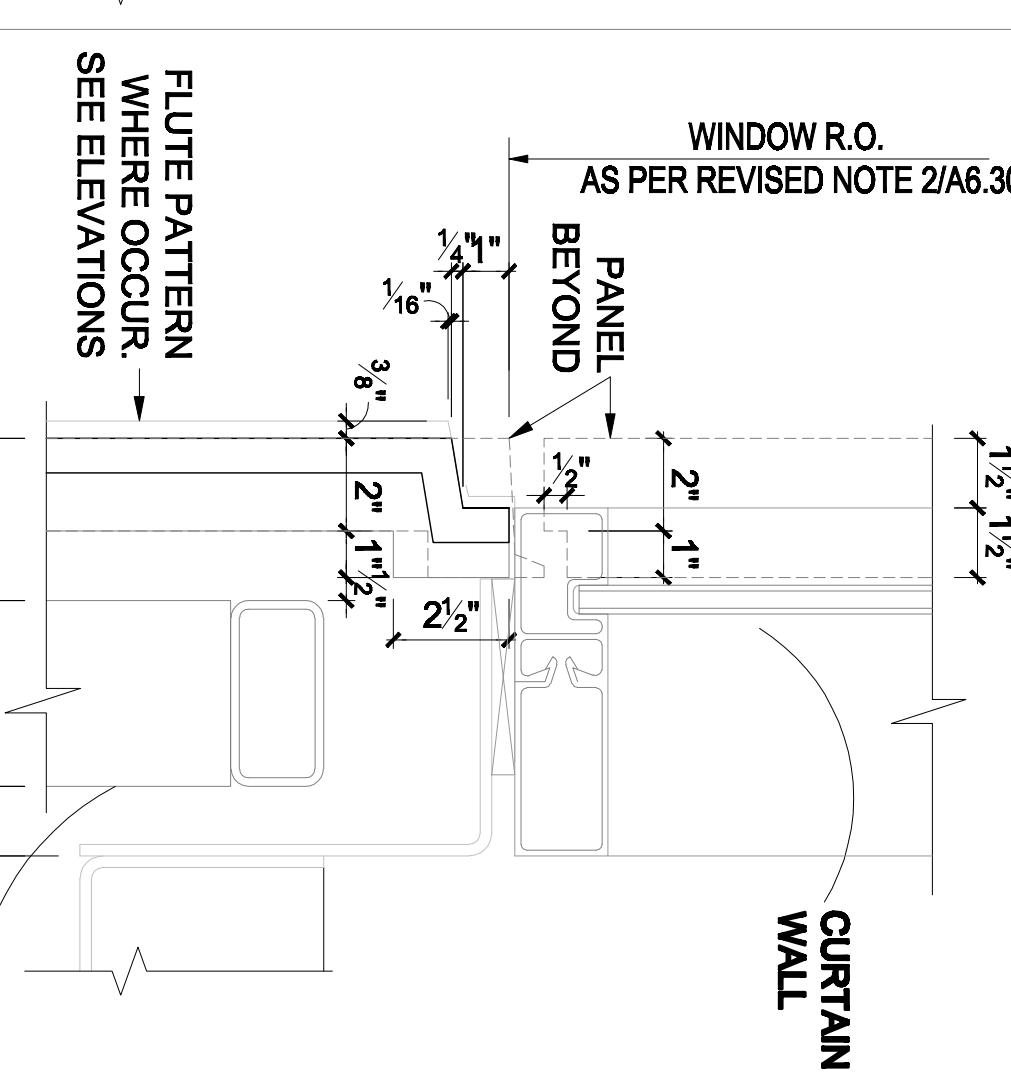
AD2
 LIVE JOINT
 REF: 7/A-803



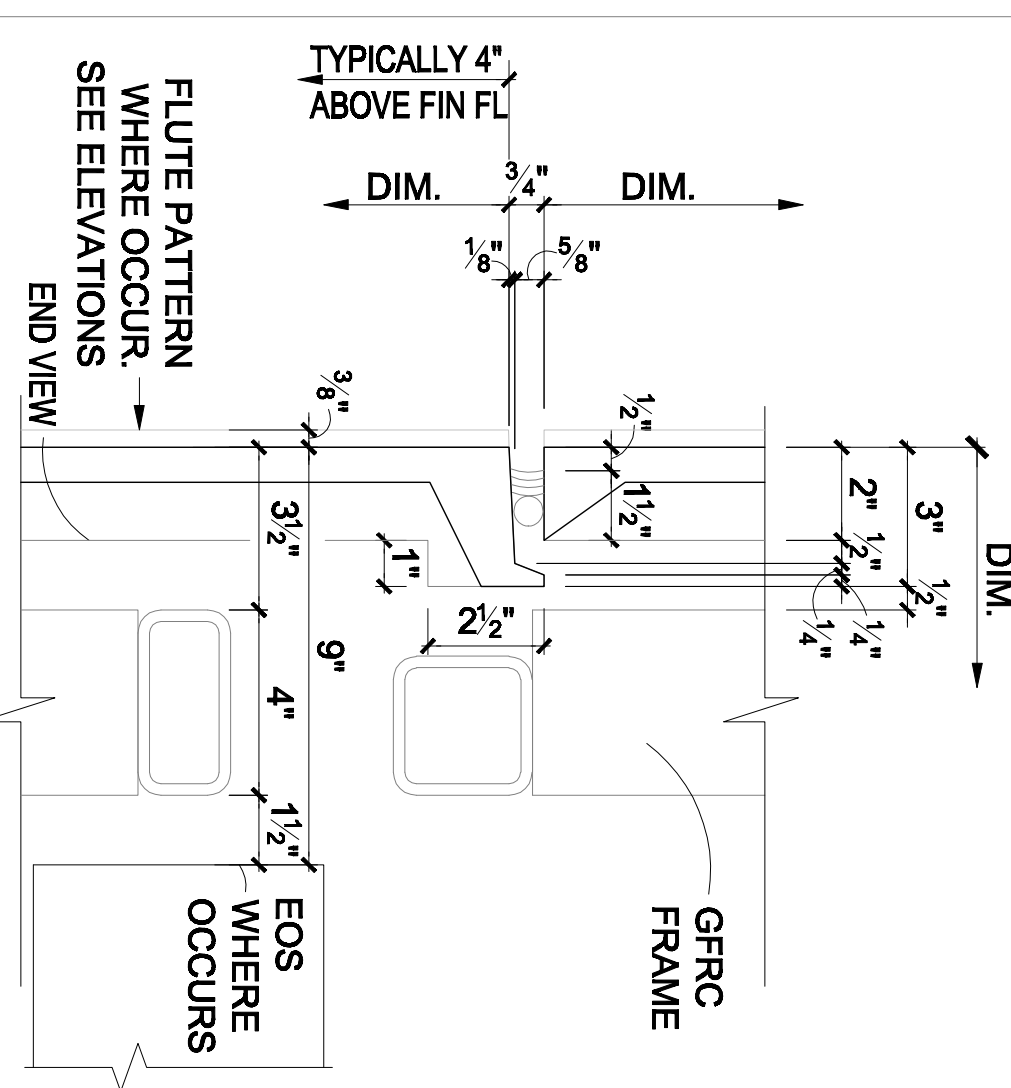
AD1
 VERTICAL PANEL TO PANEL JOINT
 REF: NONE



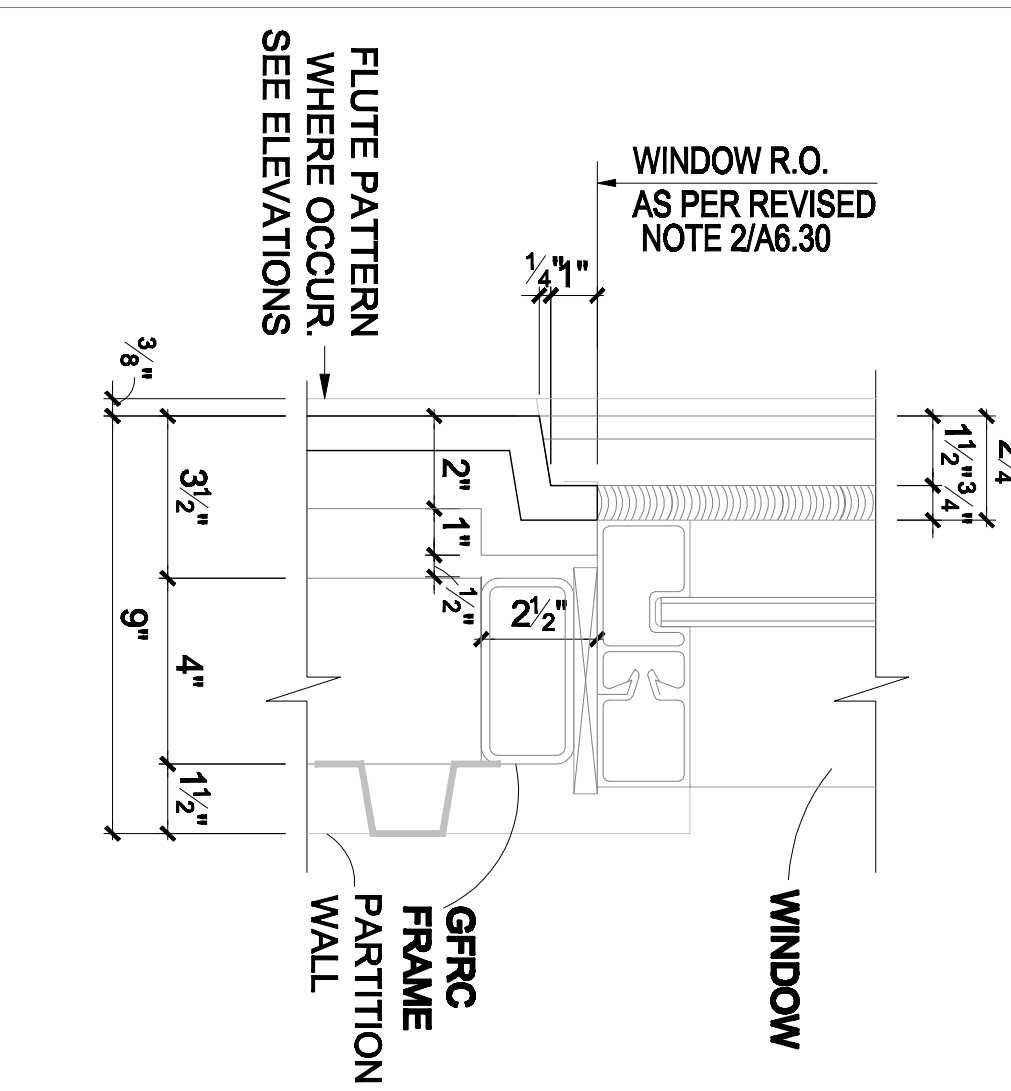
AD12
 PARAPET DETAIL
 REF: 4/A-803



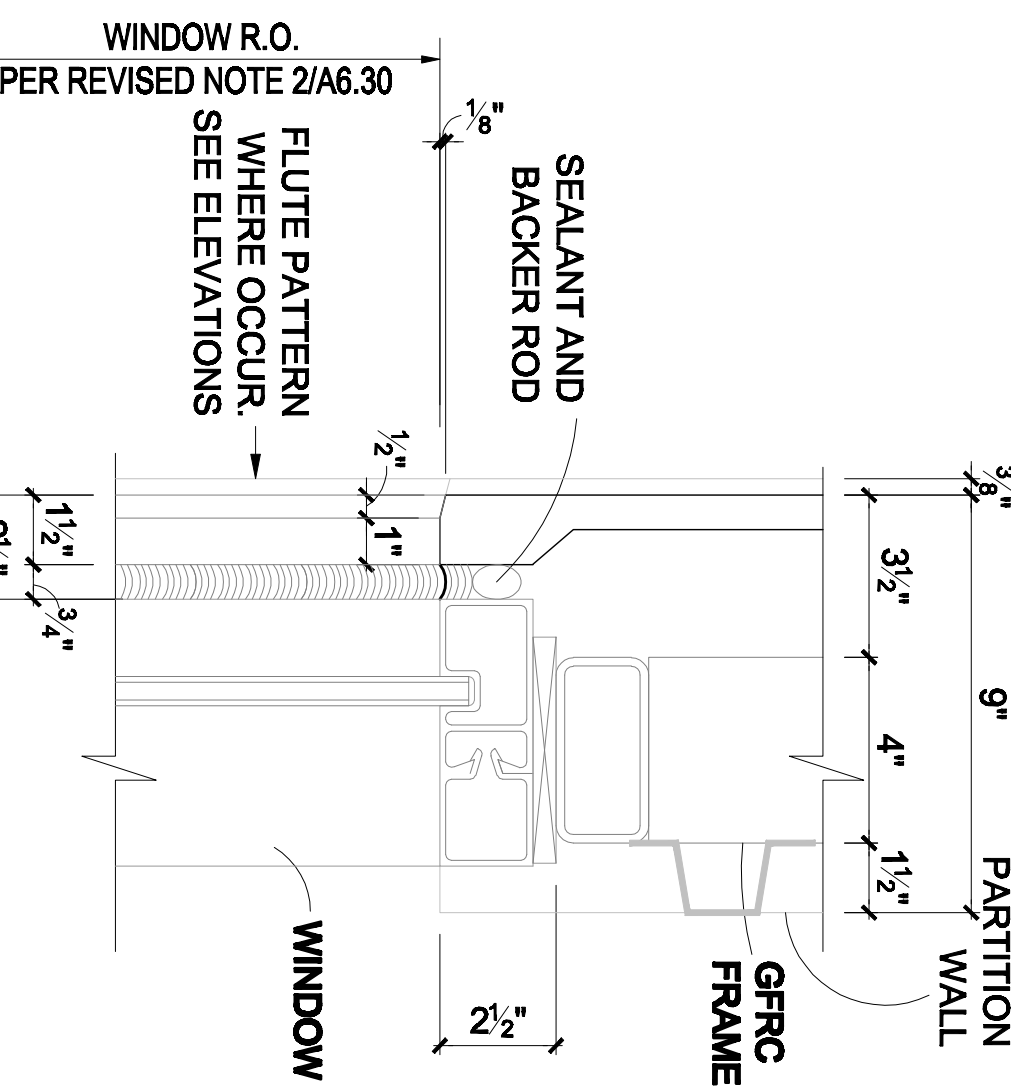
AD11
 CURTAIN WALL SILL DETAIL
 REF: 17/A-744, 17/A-745, 5/A-744



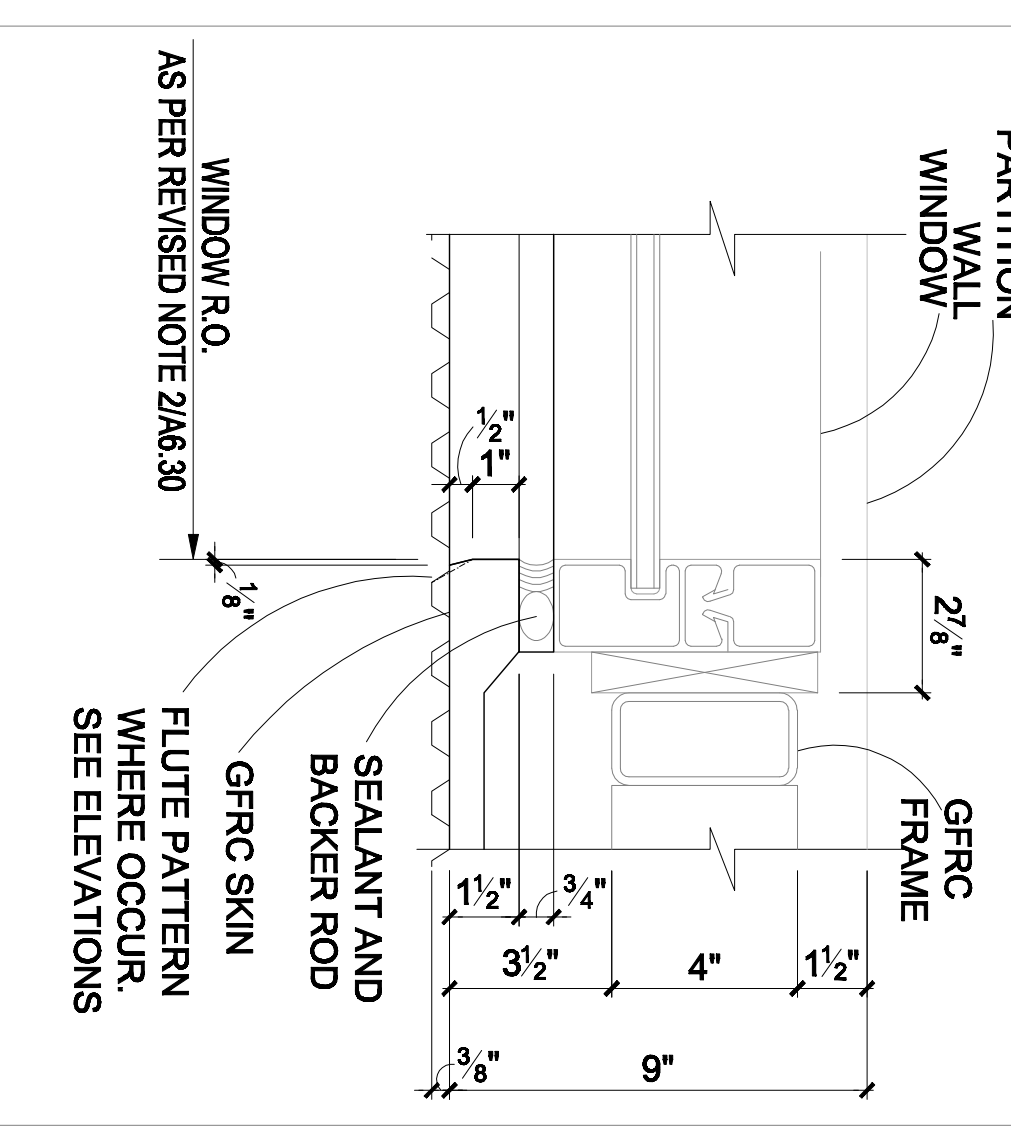
AD10
 HORIZONTAL PANEL/PANEL JOINT
 REF: 2/A-803



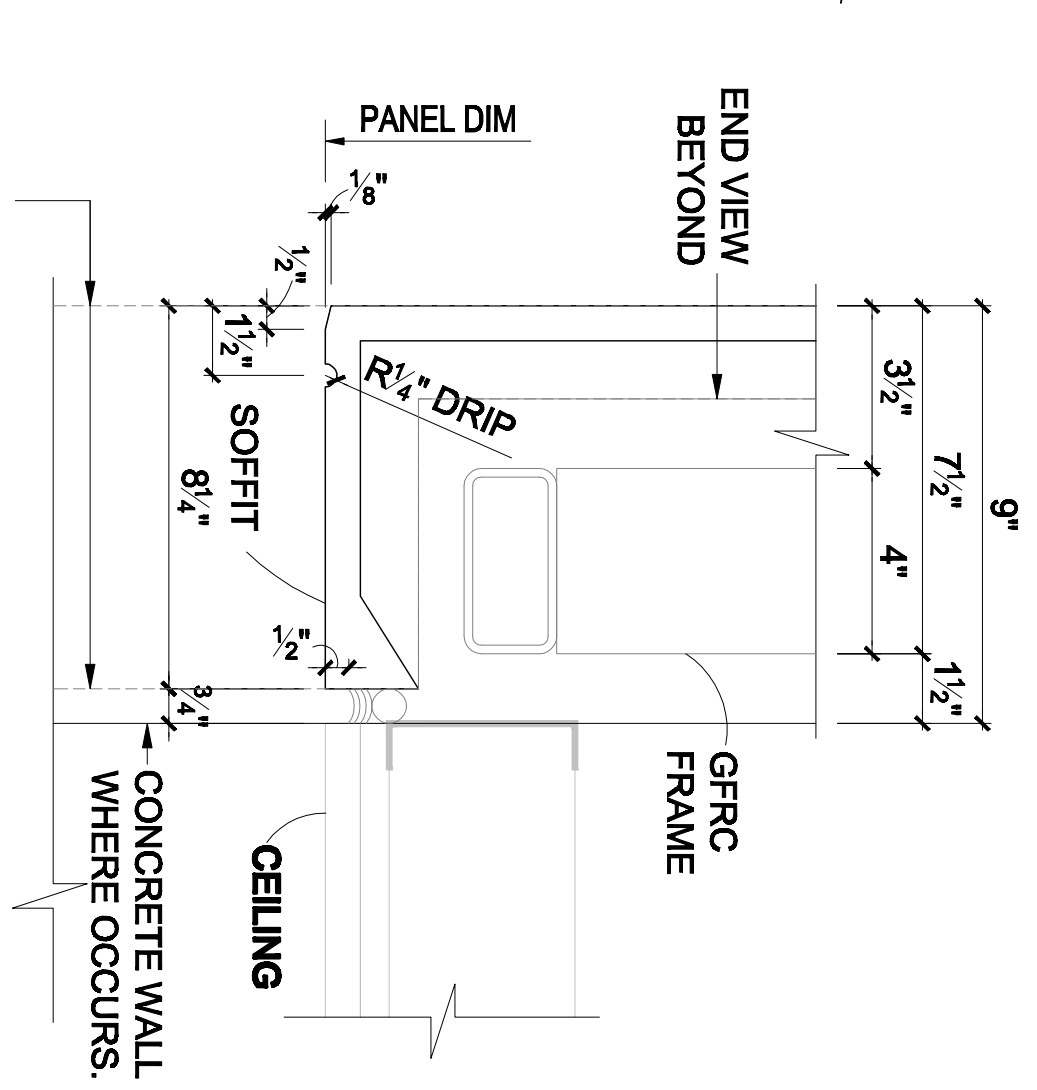
AD9
 PUNCHED WINDOW SILL DETAIL
 REF: 1/A-744



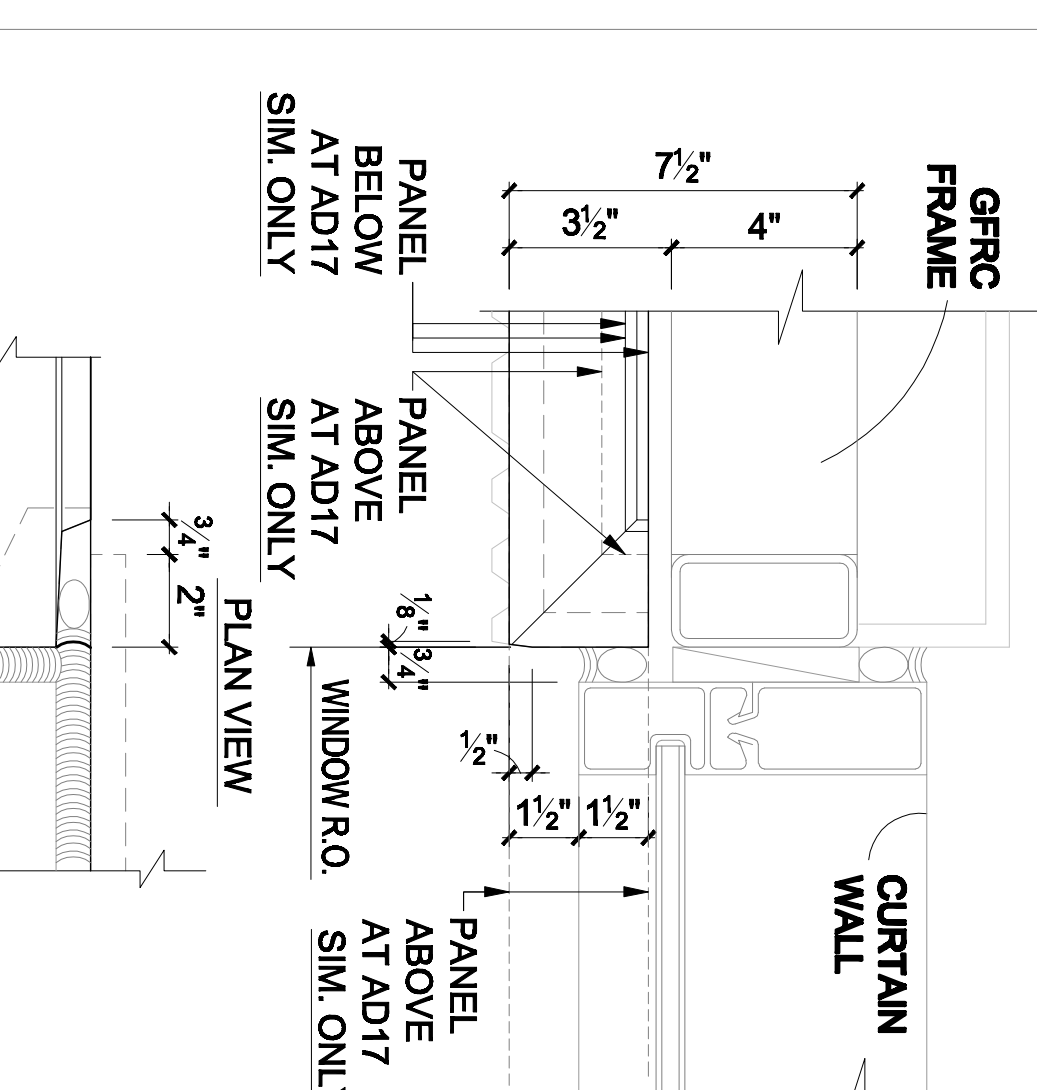
AD8
 PUNCHED WINDOW HEAD DETAIL
 REF: 3/A-744



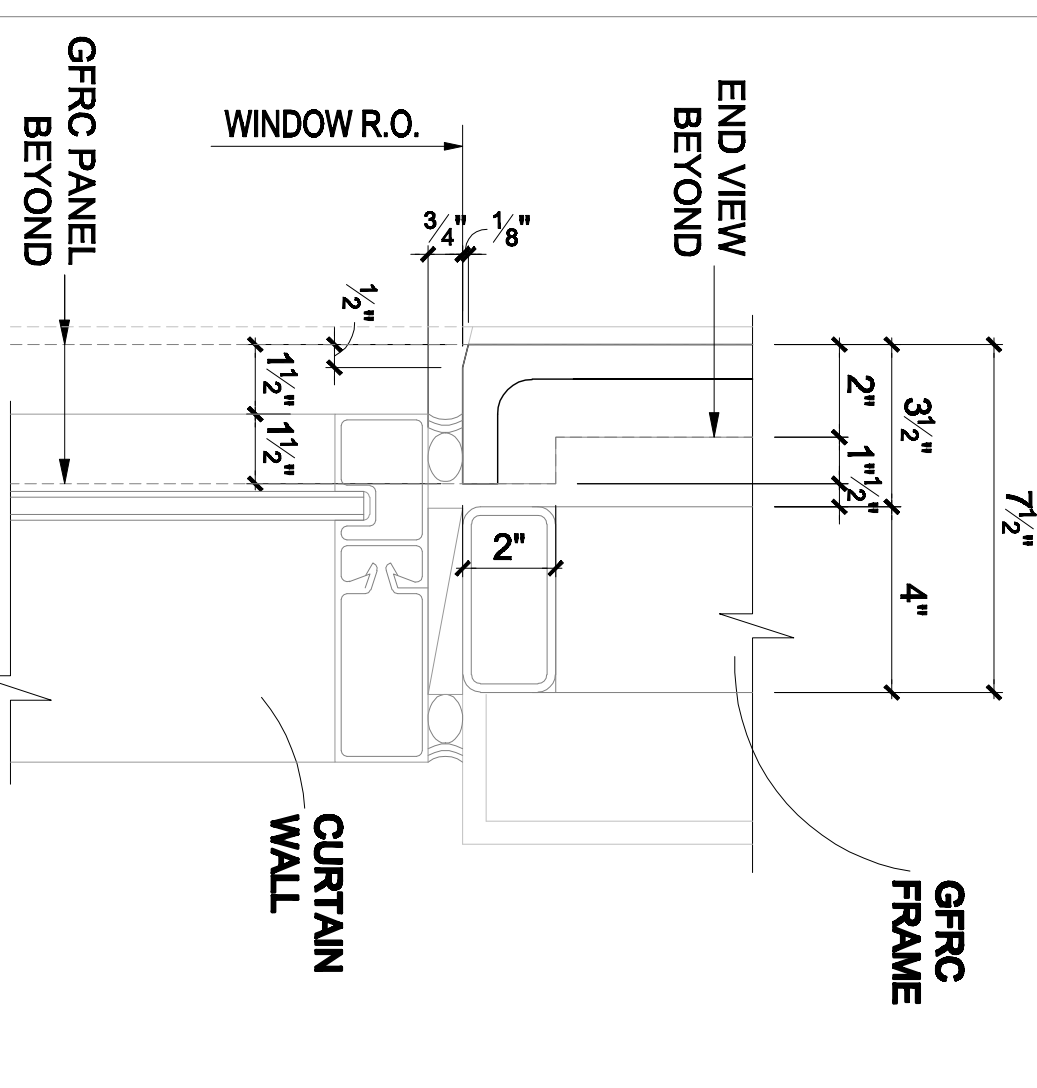
AD7
 PUNCHED WINDOW JAMB DETAIL
 REF: 2/A-744



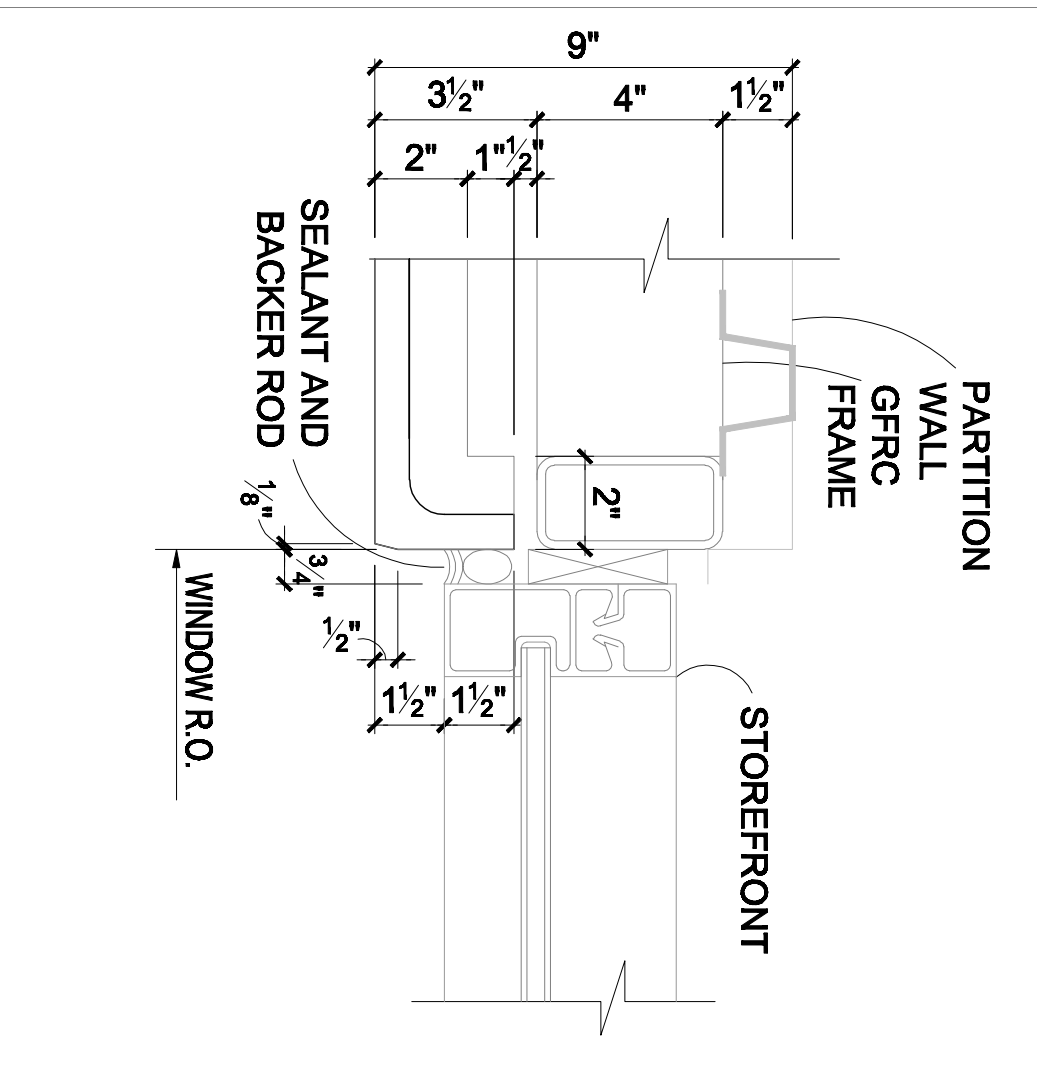
AD18
 SOFFIT DETAIL
 REF: 1/A-803



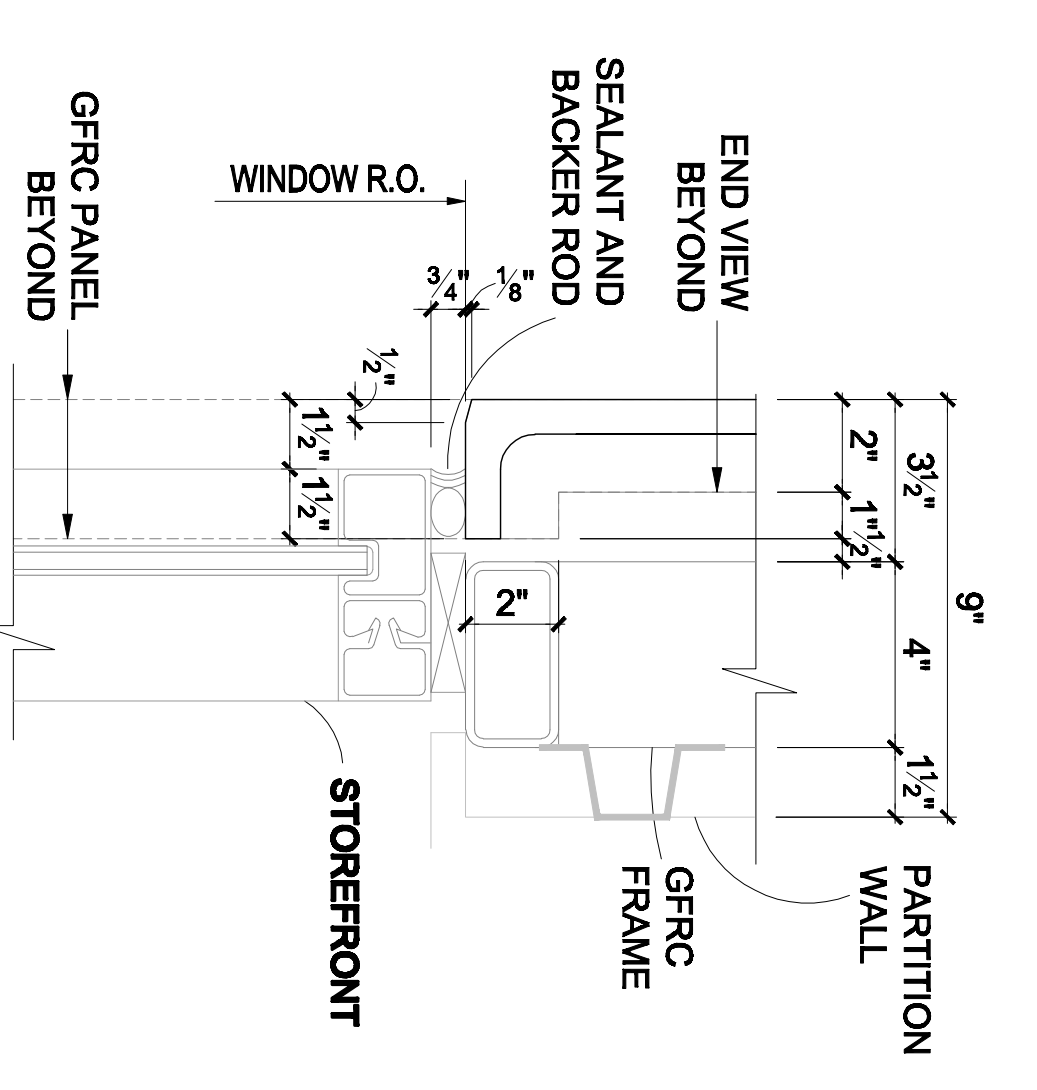
AD17
 CURTAIN WALL JAMB DETAIL
 REF: 12/A-745, 10/A-744



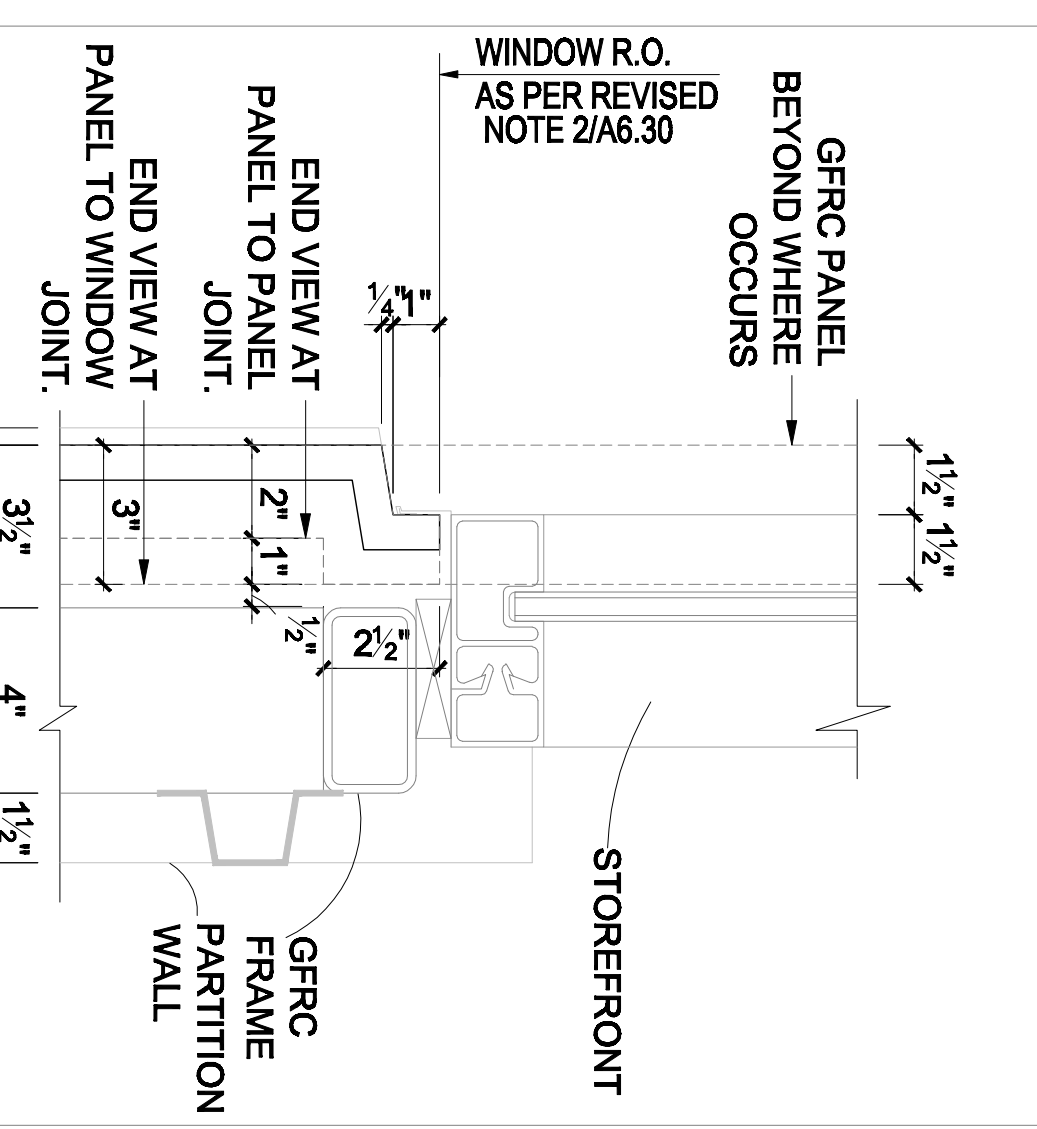
AD16
 CURTAIN WALL HEAD DETAIL
 REF: 17/A-745



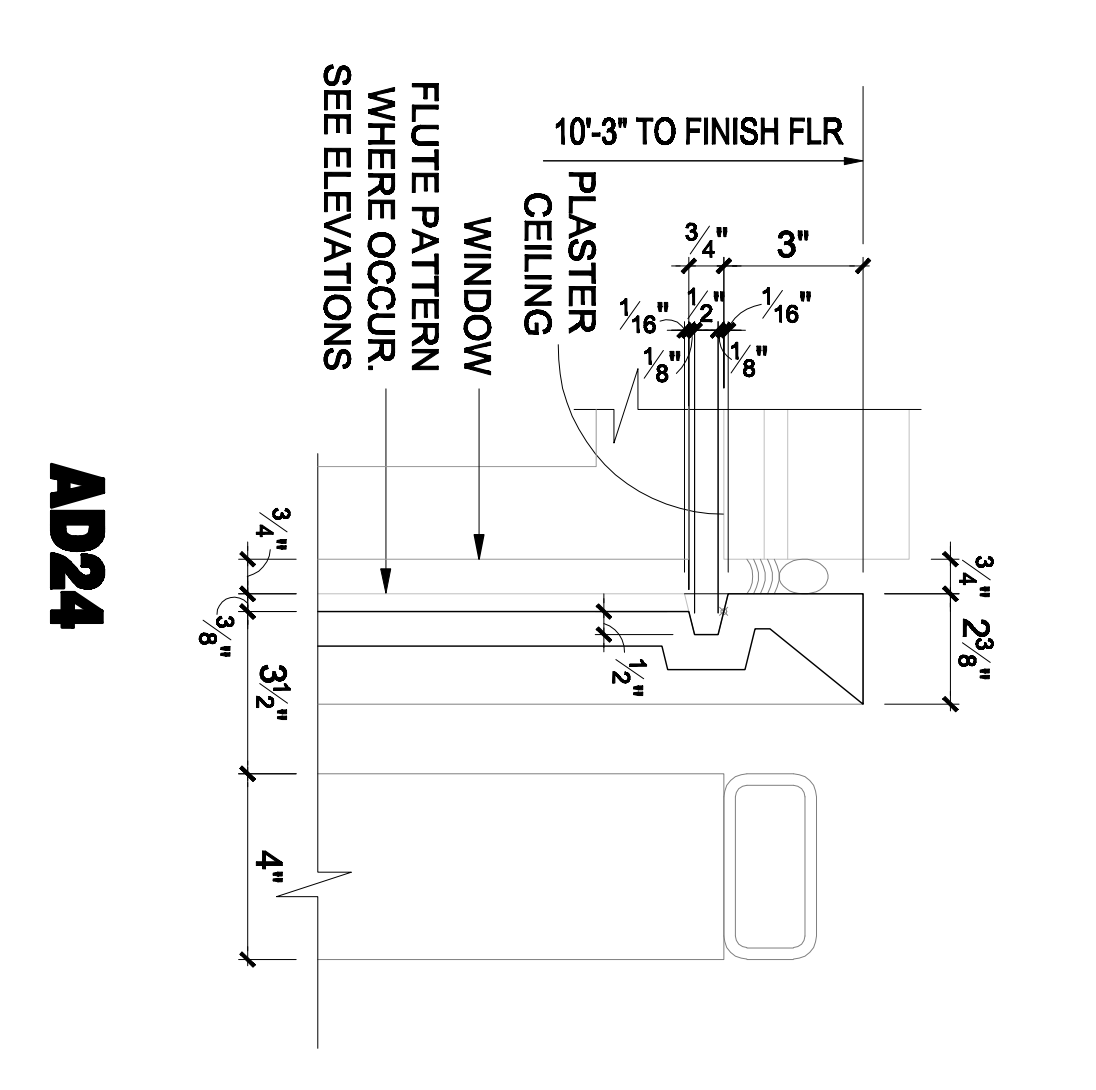
AD15
 STOREFRONT JAMB DETAIL
 REF: 6-10 SIM/A-744, 18/A-746



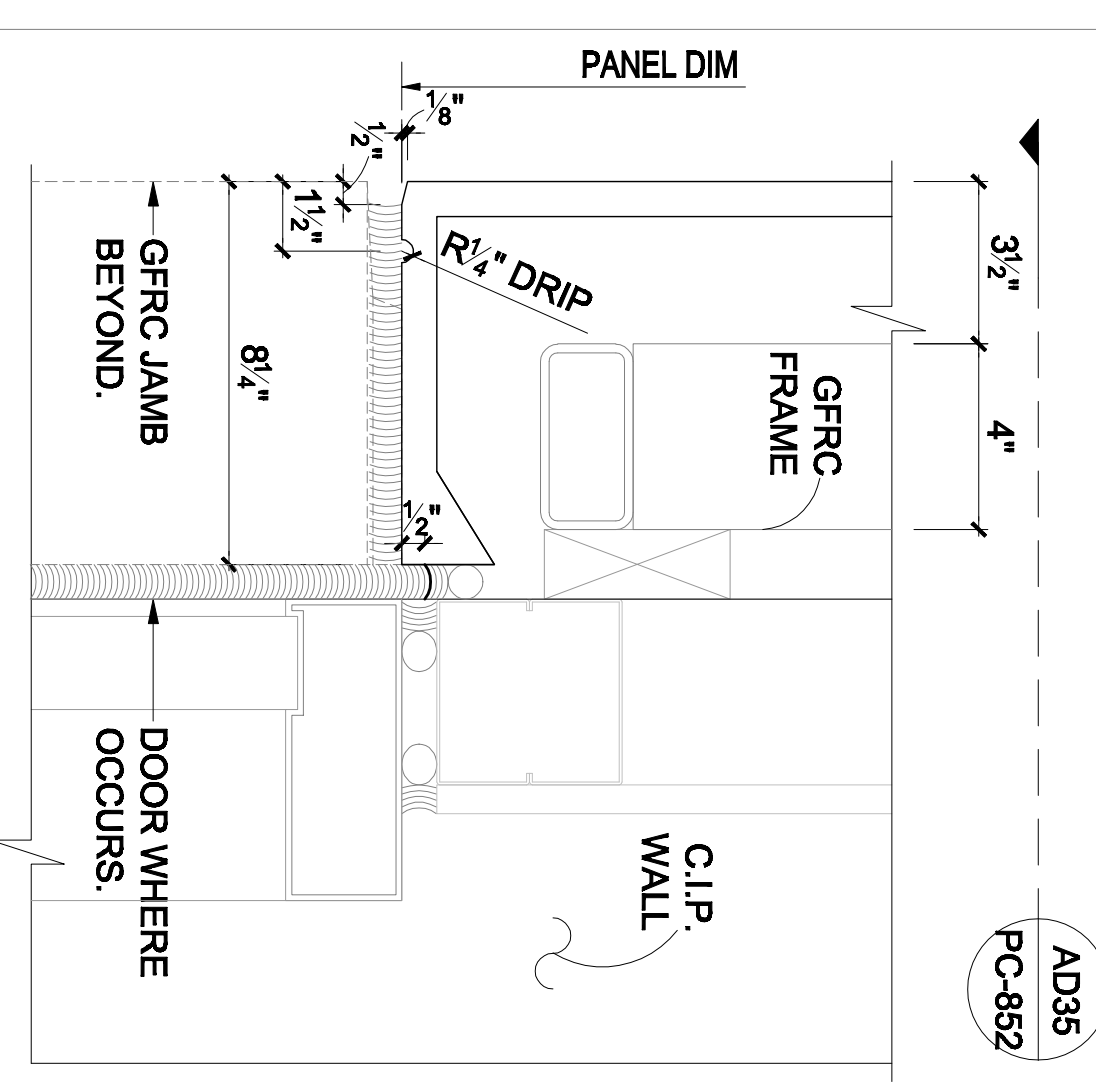
AD14
 STOREFRONT HEAD DETAIL
 REF: 7-11/A-744, 18/A-746



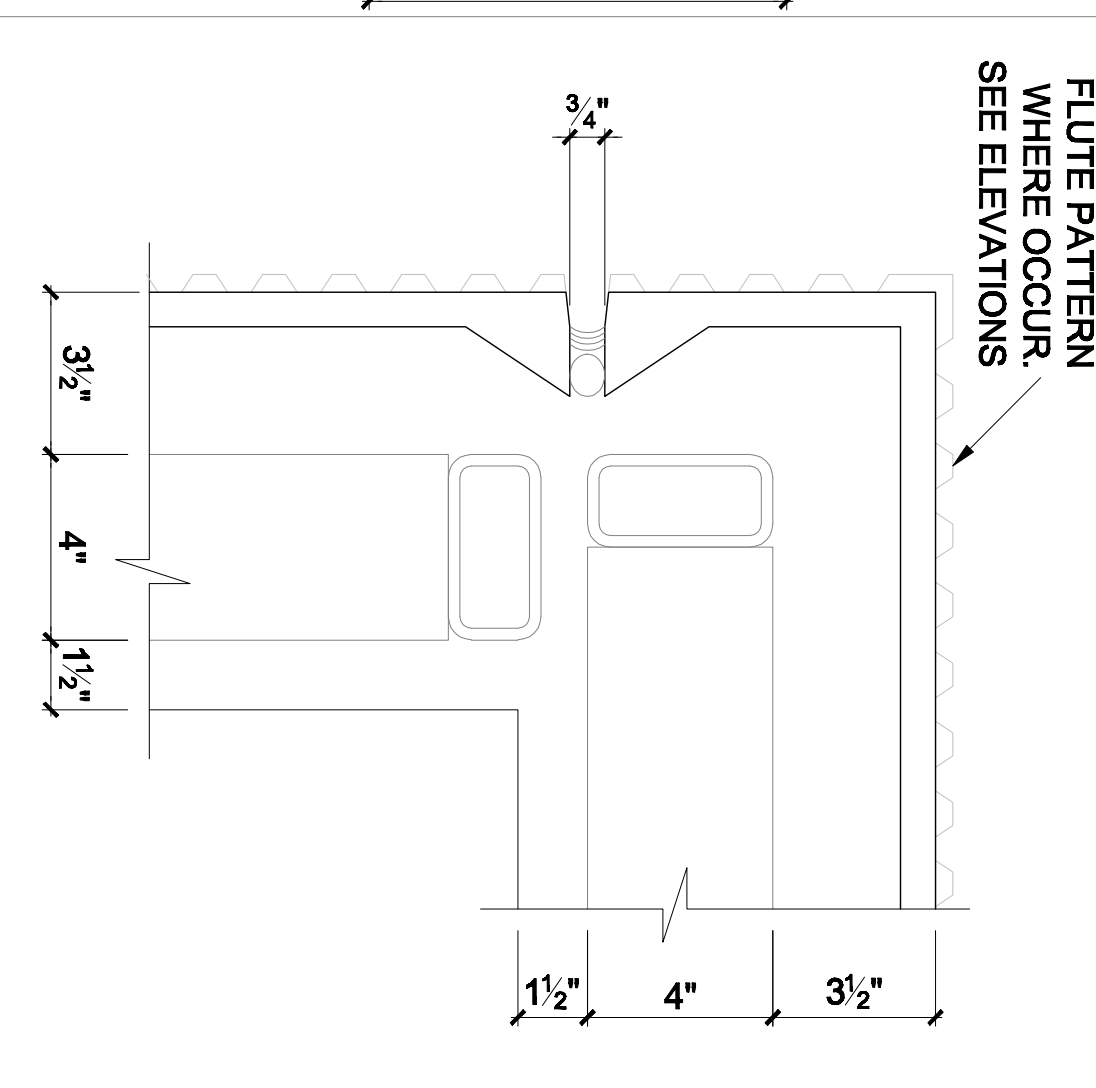
AD13
 STOREFRONT/CW SILL DETAIL
 REF: 5-17/A-744, 17/A-746



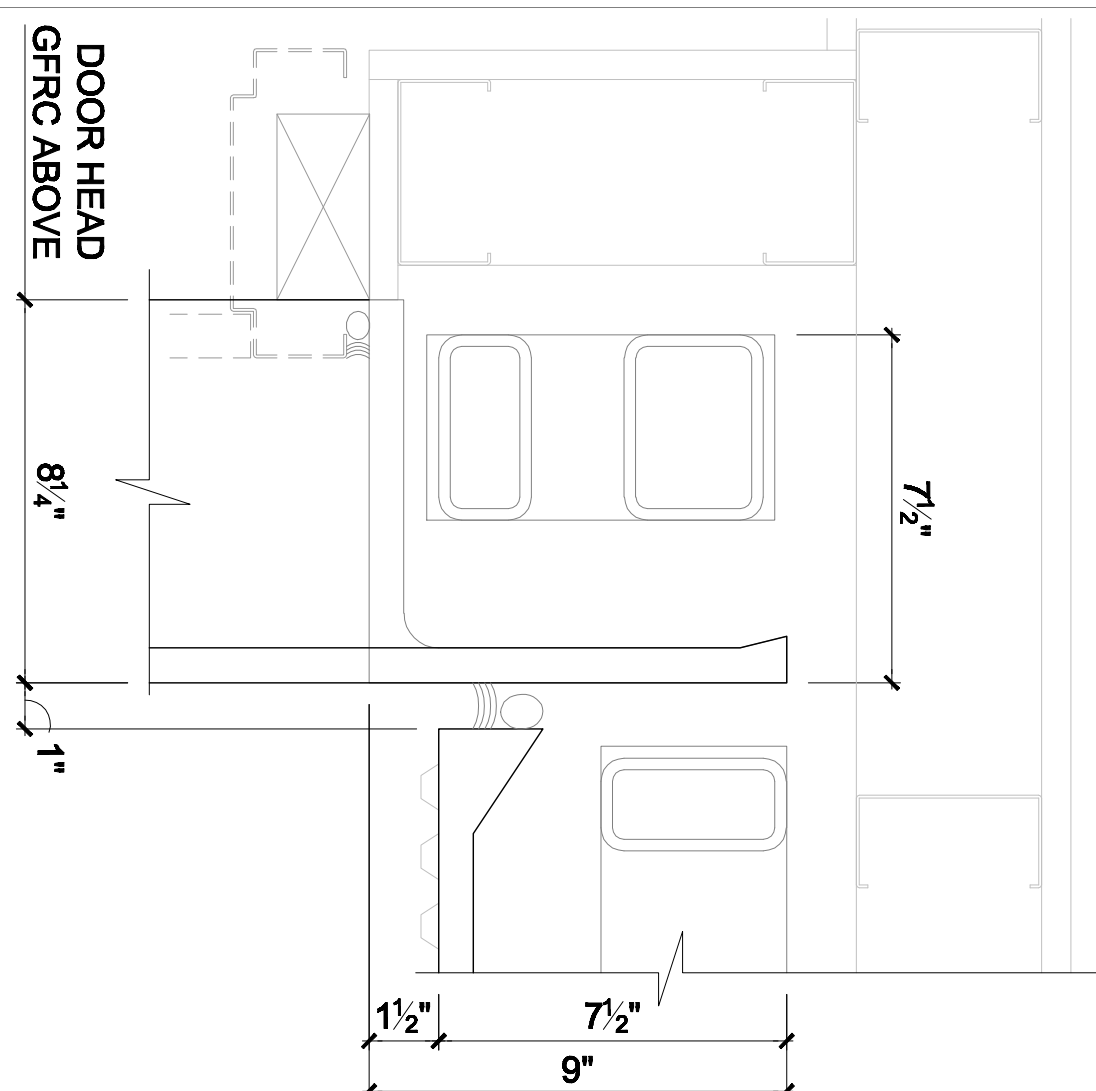
AD24
 GFRG / CEILING INTERFACE
 REF: 19/744, 12/A803, RFI-36R



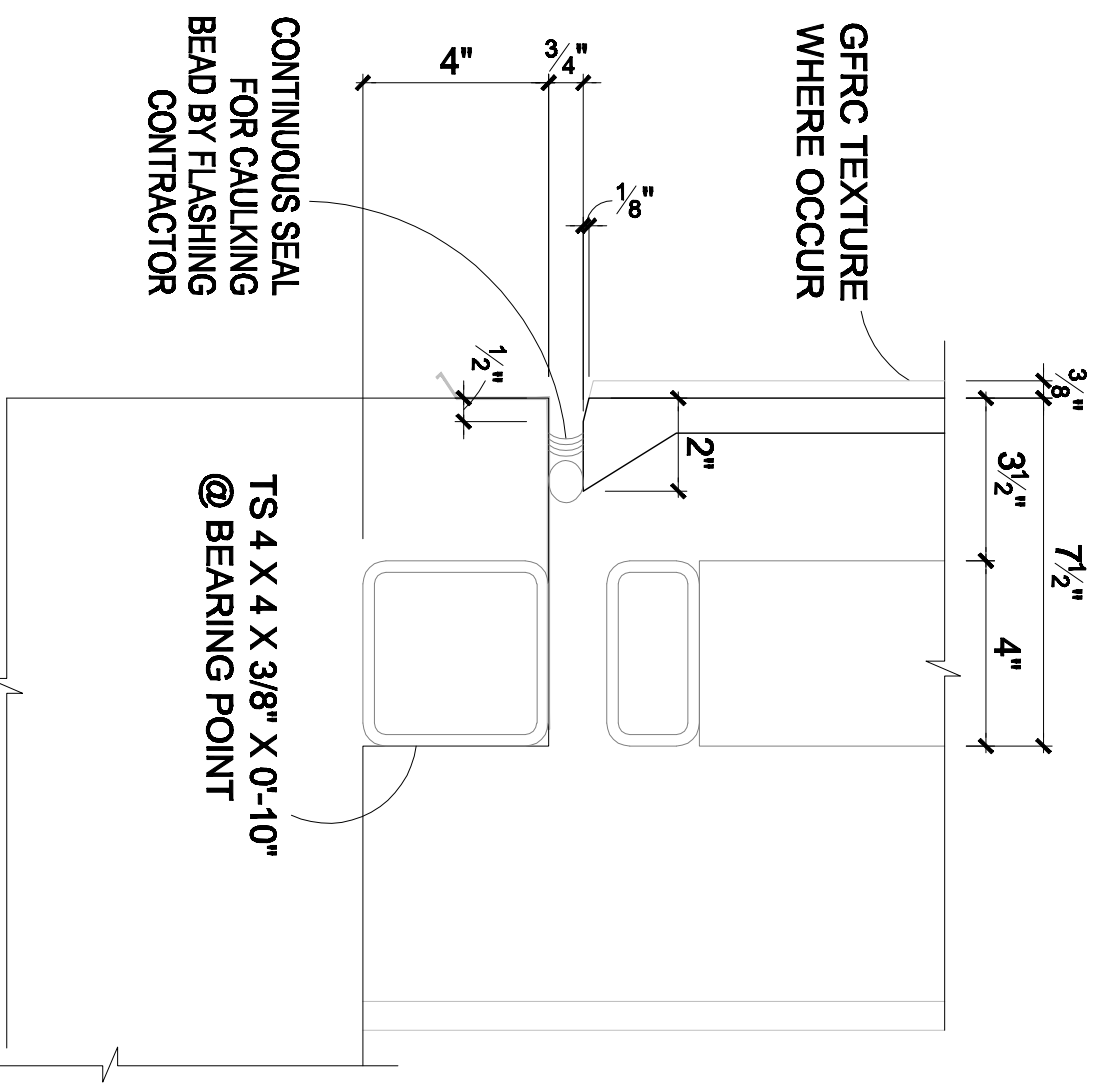
AD23
 SOFFIT DETAIL
 REF: 1/A-803



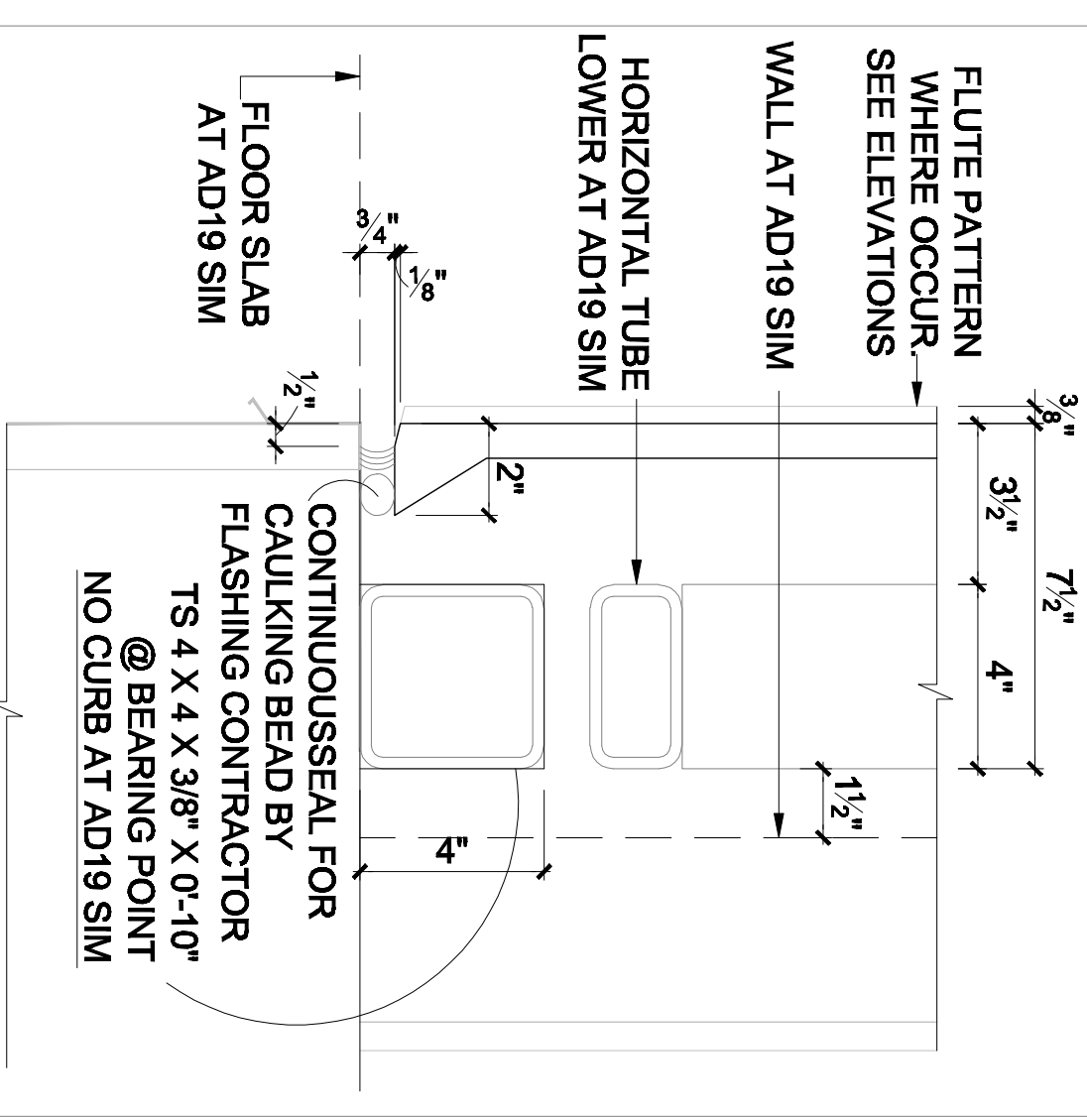
AD22
 GFRG OUTSIDE CORNER
 REF: 6/A-803



AD21
 GFRG INSIDE CORNER
 REF: 13/A-803, 5/A804



AD20
 DETAIL AT GFRG PANEL
 REF: 10-11 SIM/A-803, 1/A-323



AD19
 DETAIL AT GFRG PANEL
 REF: 9/A-803

All drawings and details are the property of Steinberg Architects and shall remain the property of Steinberg Architects. No part of these drawings may be reproduced, stored in a retrieval system, or transmitted in any form or by any means, electronic, mechanical, photocopying, recording, or by any information storage and retrieval system, without the prior written permission of Steinberg Architects.

This drawing is not for construction. The details shown herein are for informational purposes only. The user should be aware that the original size of the drawing is 11x17 inches. The user should be aware that the original size of the drawing is 11x17 inches.