

NO.	REVISION/REVISIONS	DATE
1	10% SCHEDULE DESIGN SUBMITTAL	04/20/08
2	20% SCHEDULE DESIGN SUBMITTAL	07/22/08
3	10% DESIGN DEVELOPMENT SUBMITTAL	09/25/08
4	30% DESIGN DEVELOPMENT SUBMITTAL	09/25/08
5	ROUND BIDDING & UTILITIES	01/09/09
6	REVISED BIDDING & UTILITIES	01/11/09
7	CONSTRUCTION PERMITS	01/11/09
8	CONSTRUCTION PERMITS	01/11/09
9	CONSTRUCTION PERMITS	01/11/09
10	CONSTRUCTION PERMITS	01/11/09
11	CONSTRUCTION PERMITS	01/11/09



DIVISION OF THE  
 STATE ARCHITECT  
 FILE # A-10-117  
 APP# # 01-110117  
 AC \_\_\_\_\_ NS \_\_\_\_\_  
 SS \_\_\_\_\_ DR \_\_\_\_\_  
 IDENTIFICATION  
 STAMP

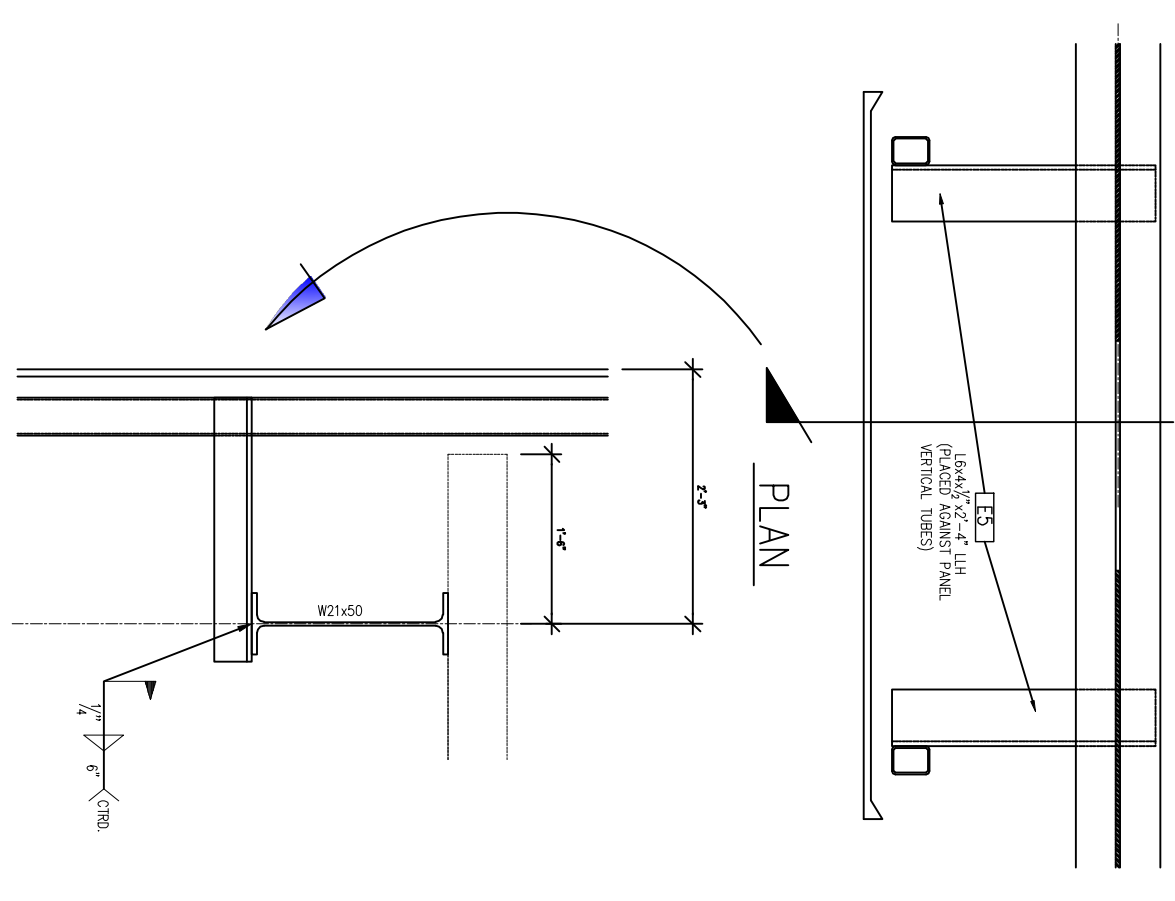
**SKYLINE COLLEGE**  
 SAN MATEO COUNTY  
 DISTRICT COLLEGE  
 CIP2 DESIGN-BUILD  
 PROJECT  
 BUILDING 4  
 INCREMENT 2  
 EXTERIOR

PROJECT NO. 070620  
 DRAWING NO. 04980  
 SHEET NO. 4000  
 DATE 04/20/08  
 DESIGNER

**CONNECTION  
 DETAILS**

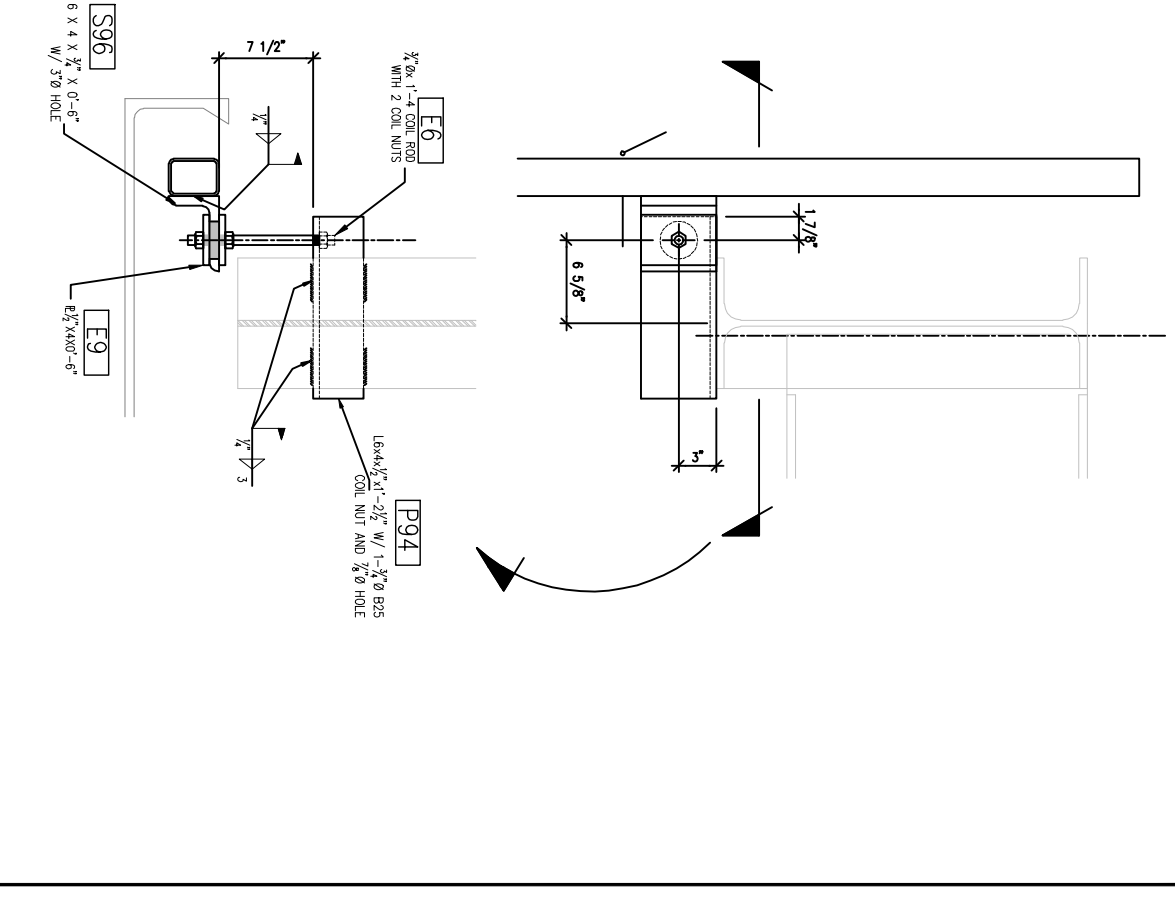
**AS BUILT DRAWINGS**  
 JANUARY 12, 2011

**PC-847**



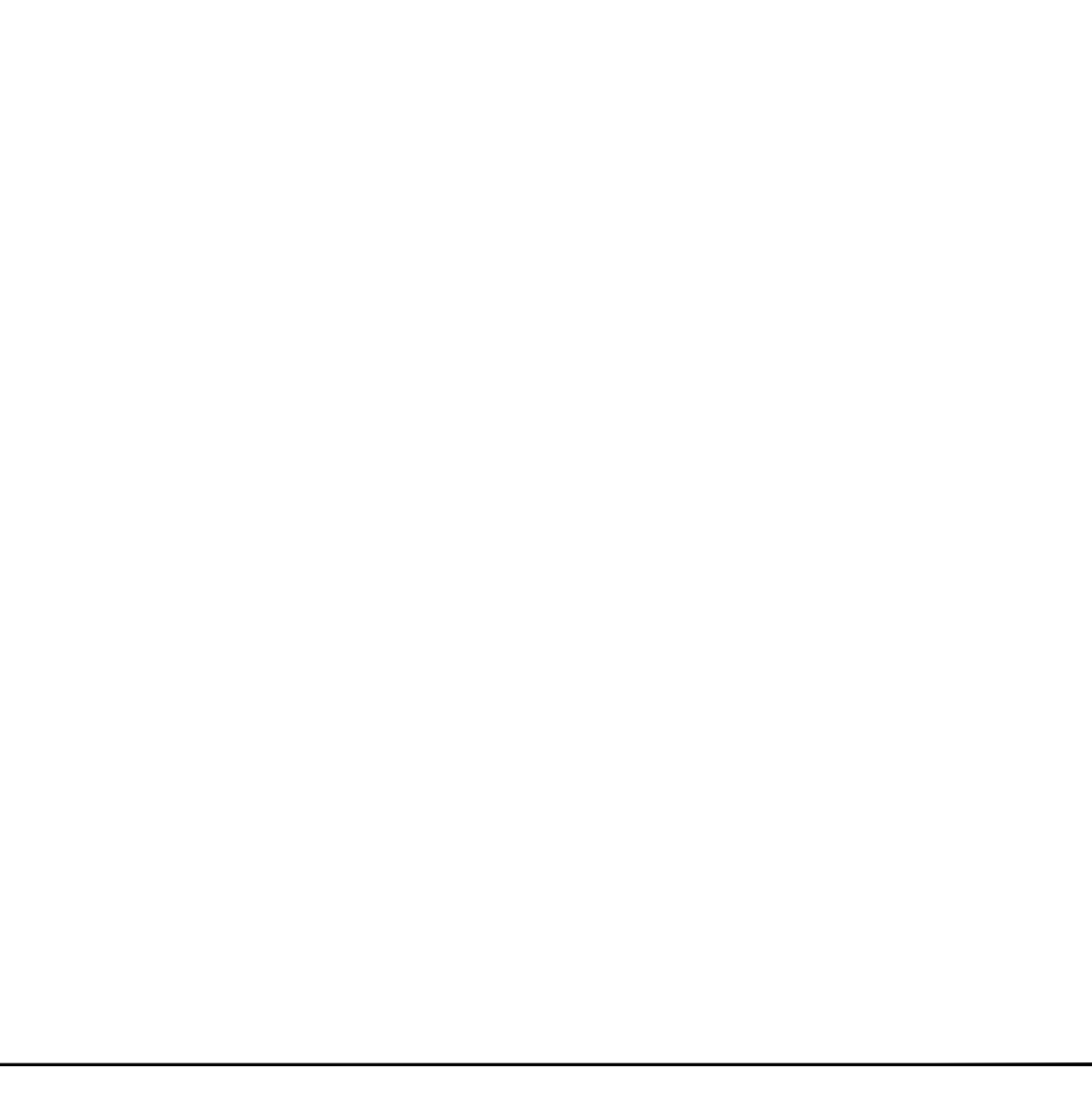
NEW CONNECTION (PANEL W3)

JOB NAME	Skyline Bldg. 4N	JOB NO.	858
TR	M.A.	REV.	—
PROJECT	CONNECTION	NO.	73.0



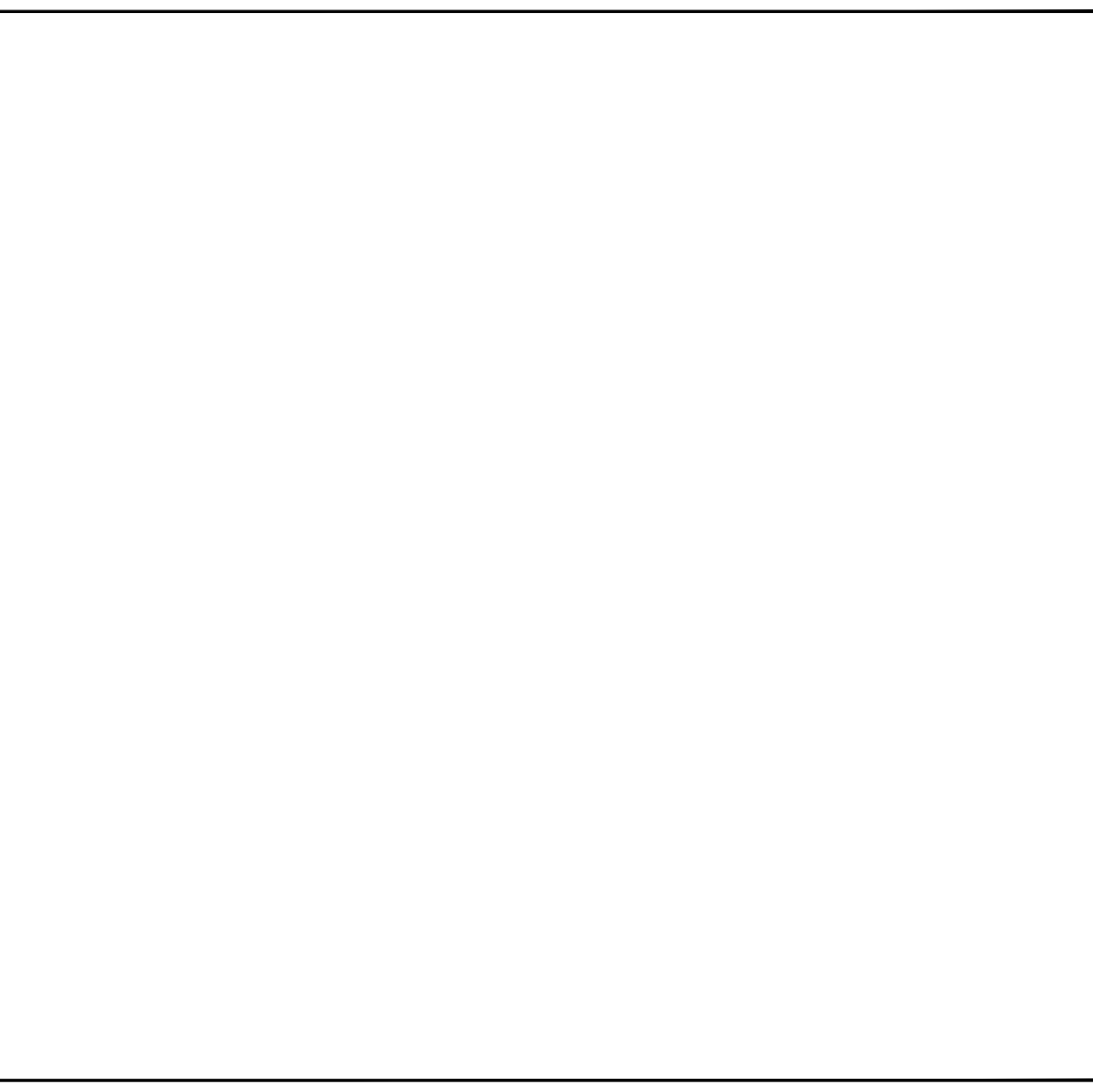
NEW CONNECTION (PANEL W2)

JOB NAME	Skyline Bldg. 4N	JOB NO.	858
TR	M.A.	REV.	—
PROJECT	CONNECTION	NO.	78.0



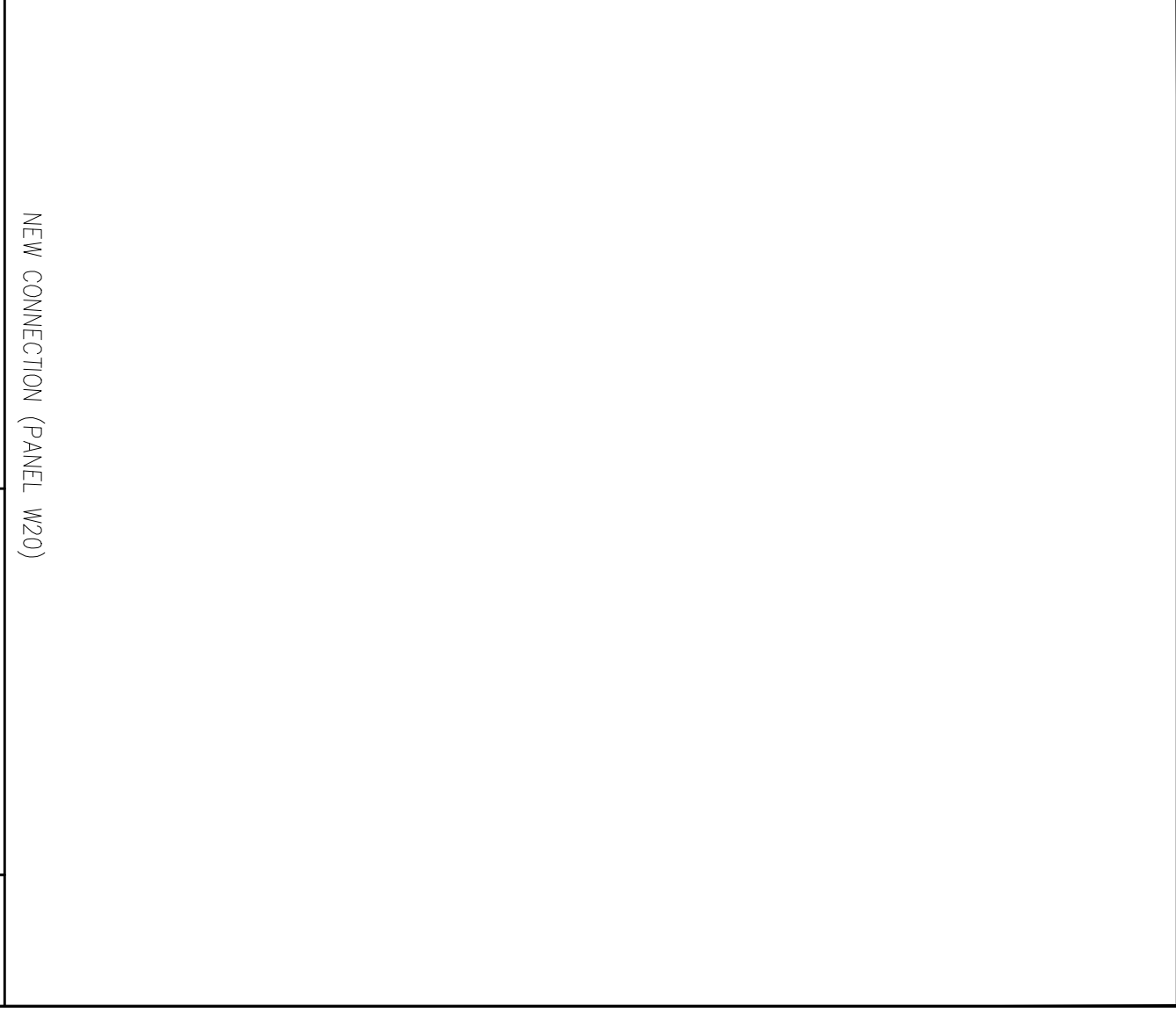
ALTERNATE CONNECTION FOR 5.2.0 (PANEL W20)

JOB NAME	Skyline Bldg. 4N	JOB NO.	858
TR	M.A.	REV.	—
PROJECT	CONNECTION	NO.	73.0



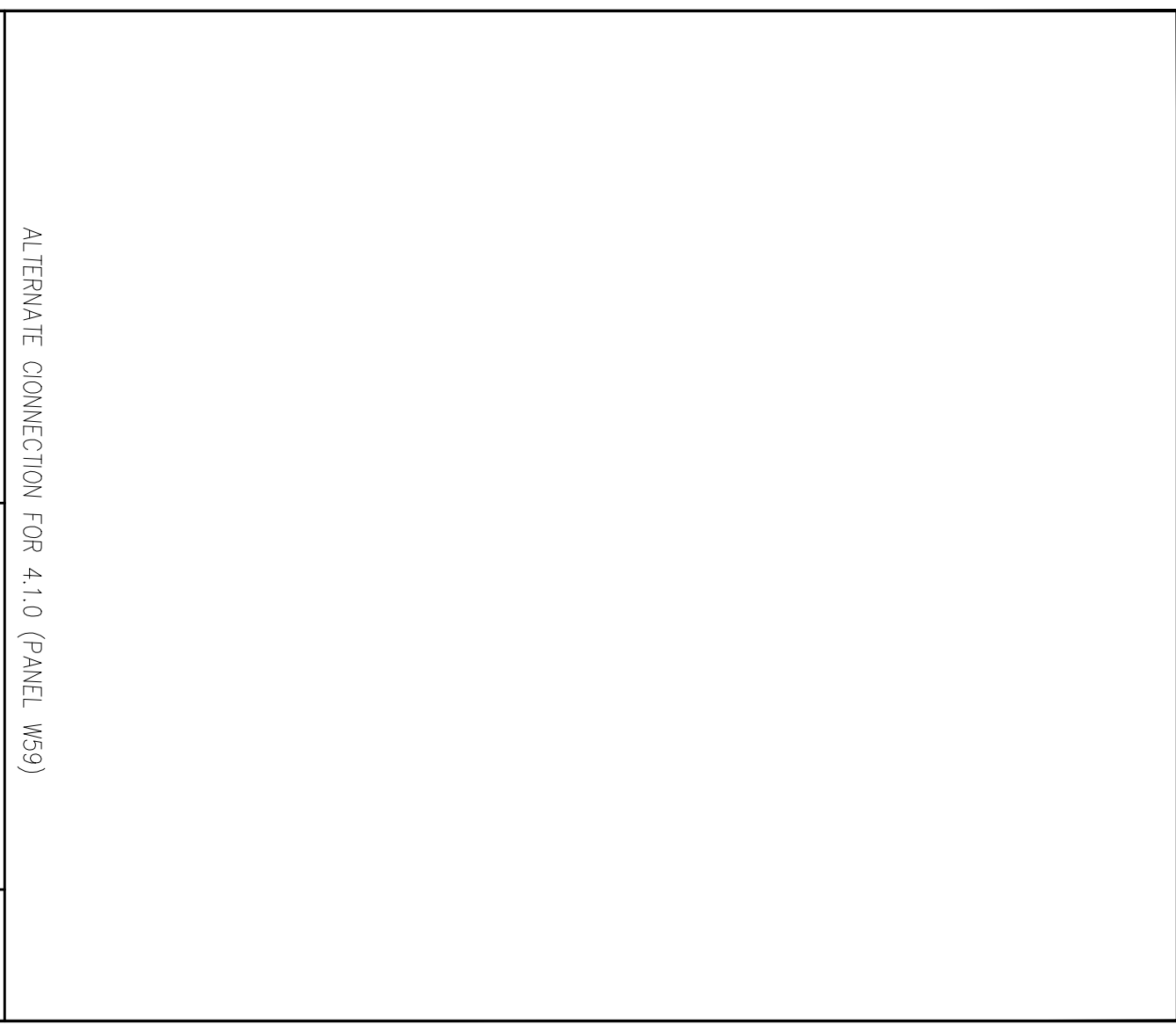
ALTERNATE CONNECTION FOR 5.2.0 (PANEL W22)

JOB NAME	Skyline Bldg. 4N	JOB NO.	858
TR	M.A.	REV.	—
PROJECT	CONNECTION	NO.	—



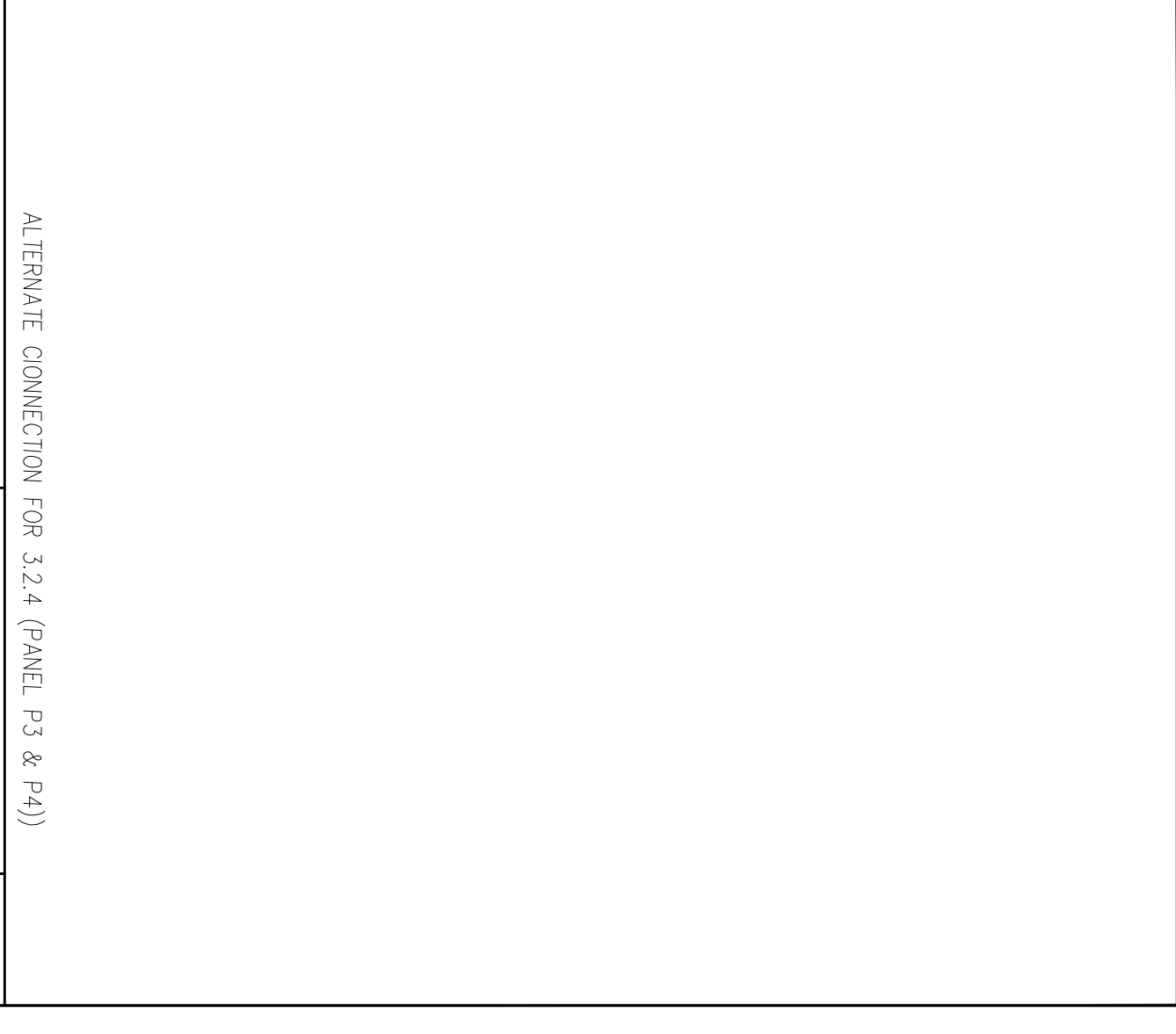
NEW CONNECTION (PANEL W20)

JOB NAME	Skyline Bldg. 4N	JOB NO.	858
TR	M.A.	REV.	—
PROJECT	CONNECTION	NO.	—



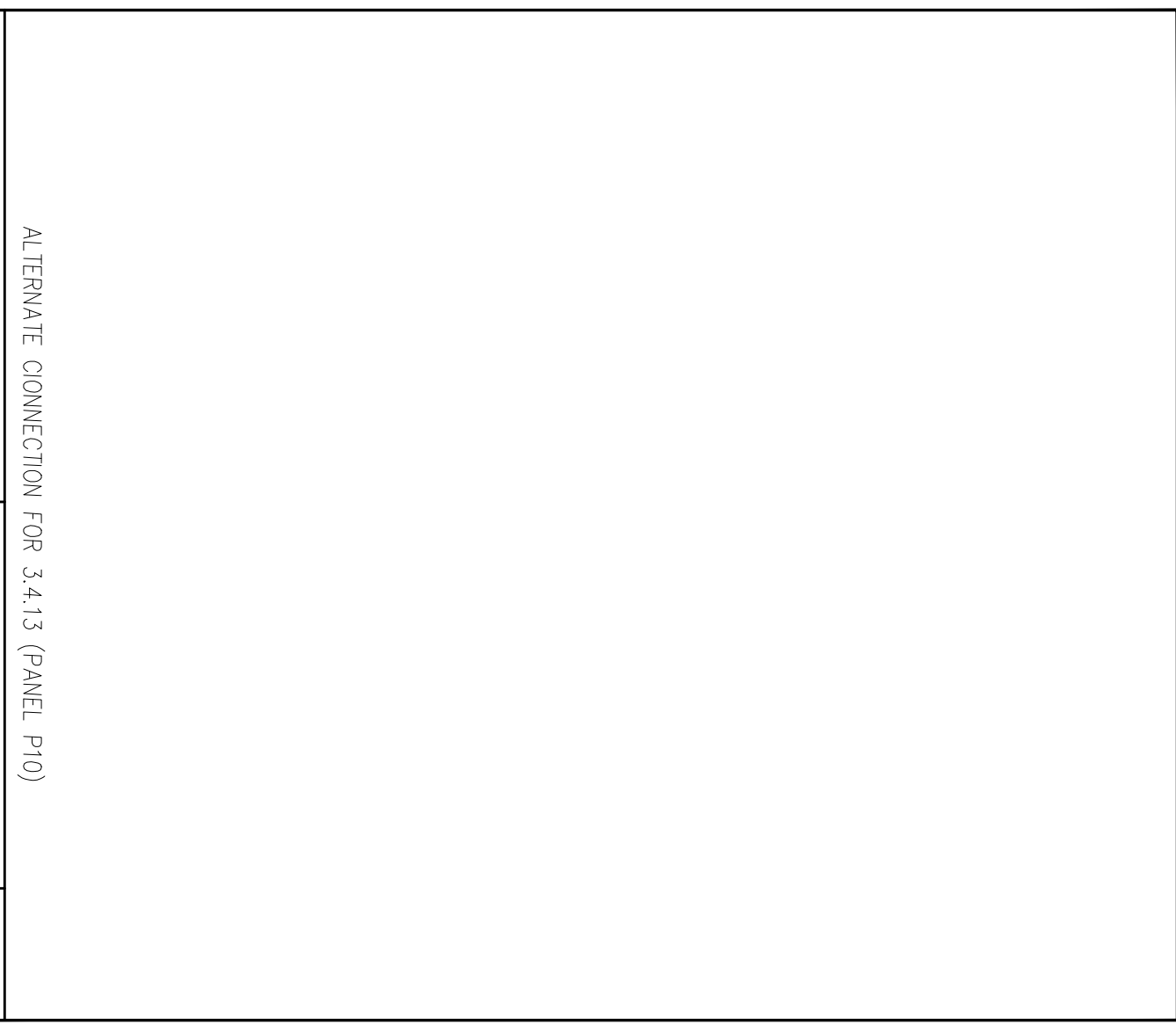
ALTERNATE CONNECTION FOR 4.1.0 (PANEL W59)

JOB NAME	Skyline Bldg. 4N	JOB NO.	858
TR	M.A.	REV.	—
PROJECT	CONNECTION	NO.	—



ALTERNATE CONNECTION FOR 3.2.4 (PANEL P3 & P4)

JOB NAME	Skyline Bldg. 4N	JOB NO.	858
TR	M.A.	REV.	—
PROJECT	CONNECTION	NO.	—



ALTERNATE CONNECTION FOR 3.4.13 (PANEL P10)

JOB NAME	Skyline Bldg. 4N	JOB NO.	858
TR	M.A.	REV.	—
PROJECT	CONNECTION	NO.	—

All drawings and notes are the property of Steinberg Architects and may not be reproduced or used in any way without the written consent of Steinberg Architects.

This drawing is not to scale. The drawing has been reduced from the original size. Please refer to the original. This drawing shall be one (1) sheet.