

WILLS CONSTRUCTION CO. INC. PRE-CAST CONCRETE PRODUCTS	
2281 SAN JUAN AVENUE • SAN JUAN BAPTIST, CALIFORNIA (951) 423-2900 • FAX (951) 553-2548	
DATE	ISSUES/REVISIONS
03/11/08	1. NON-SUBMITTAL DESIGN SUBMITTAL
03/11/08	2. 90% DESIGN DEVELOPMENT SUBMITTAL
03/11/08	3. 100% DESIGN DEVELOPMENT SUBMITTAL
03/11/08	4. PERMITS/REGULATORY EVALUATION
03/11/08	5. PERMITS/REGULATORY EVALUATION
03/11/08	6. PERMITS/REGULATORY EVALUATION
03/11/08	7. PERMITS/REGULATORY EVALUATION
03/11/08	8. PERMITS/REGULATORY EVALUATION
03/11/08	9. PERMITS/REGULATORY EVALUATION
03/11/08	10. PERMITS/REGULATORY EVALUATION
03/11/08	11. PERMITS/REGULATORY EVALUATION



DIVISION OF THE
 STATE ARCHITECT
 APPL # 01-110117
 FILE # A-10-1
 AG _____ RS _____
 SSS _____ DNE _____
 IDENTIFICATION
 STAMP

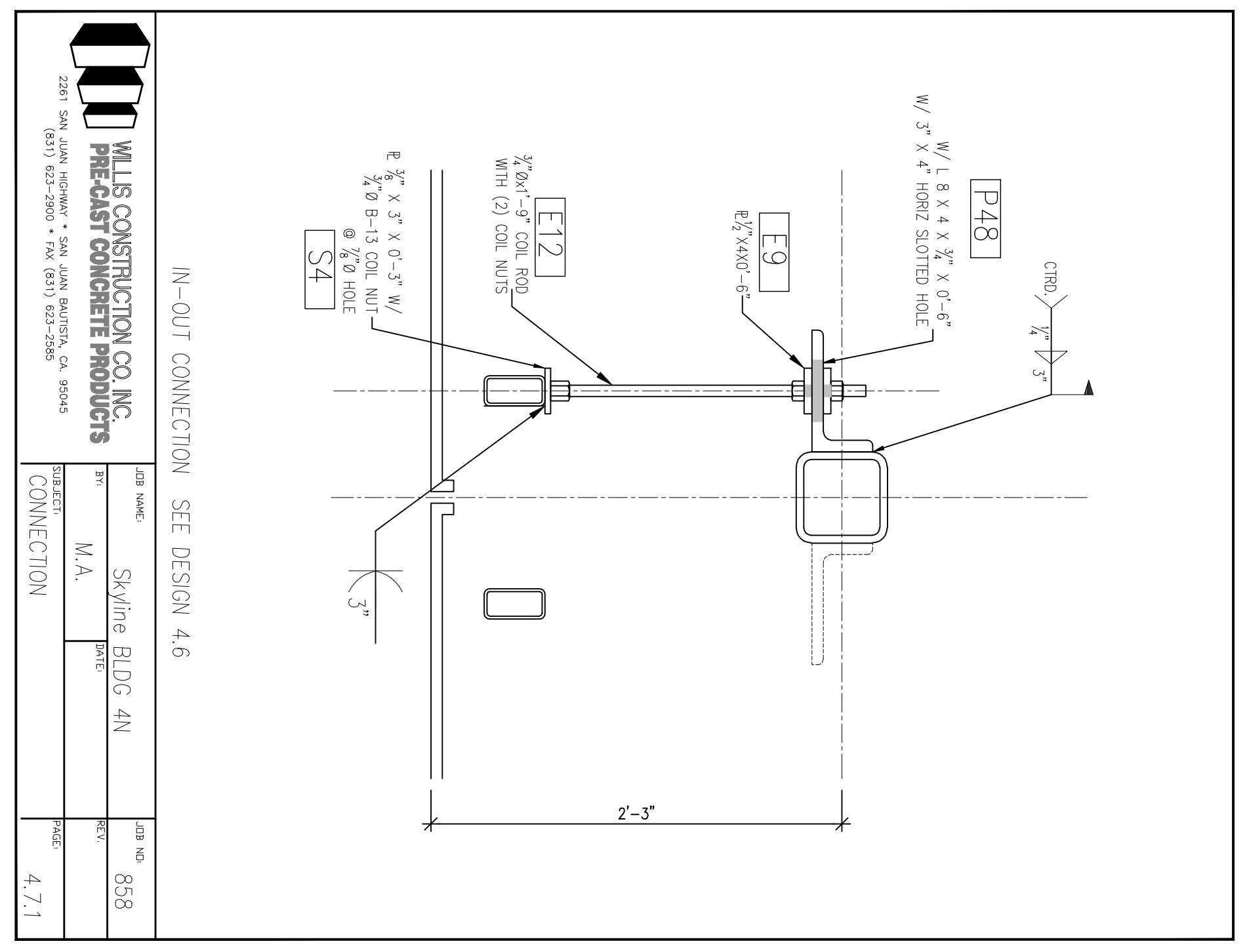
SKYLINE COLLEGE
 SAN JUAN COUNTY
 COMMUNITY COLLEGE
 DESIGN
CIP2 DESIGN-BUILD
PROJECT BUILDING 4
INCREMENT 2

PROJECT NO. 0712100
 DRAWN BY: JDC/O
 DATE: 04/28/09
 CHECKED BY:
 SCALE: _____

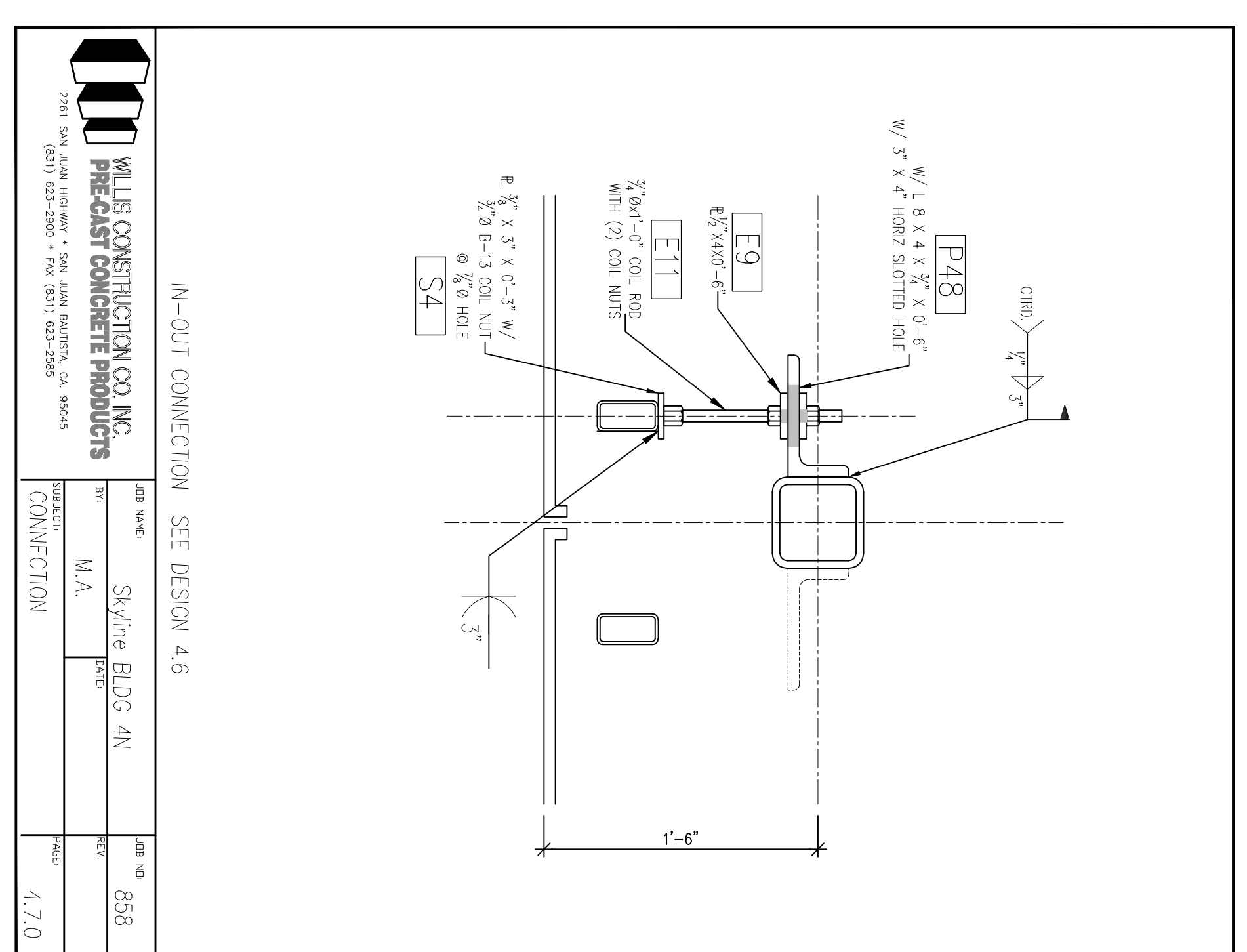
CONNECTION
DETAILS

AS BUILT DRAWINGS
JANUARY 12, 2011

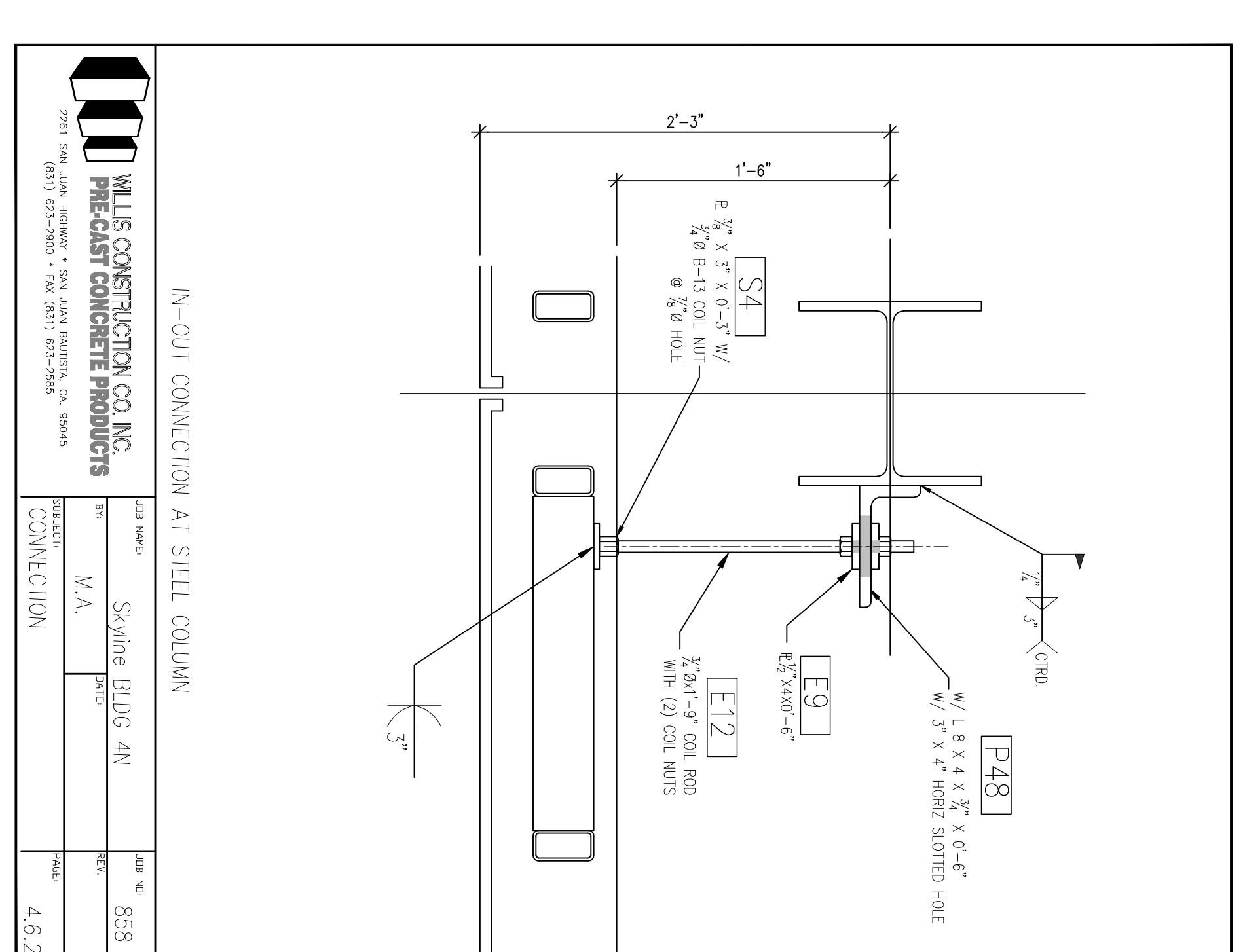
PC-839



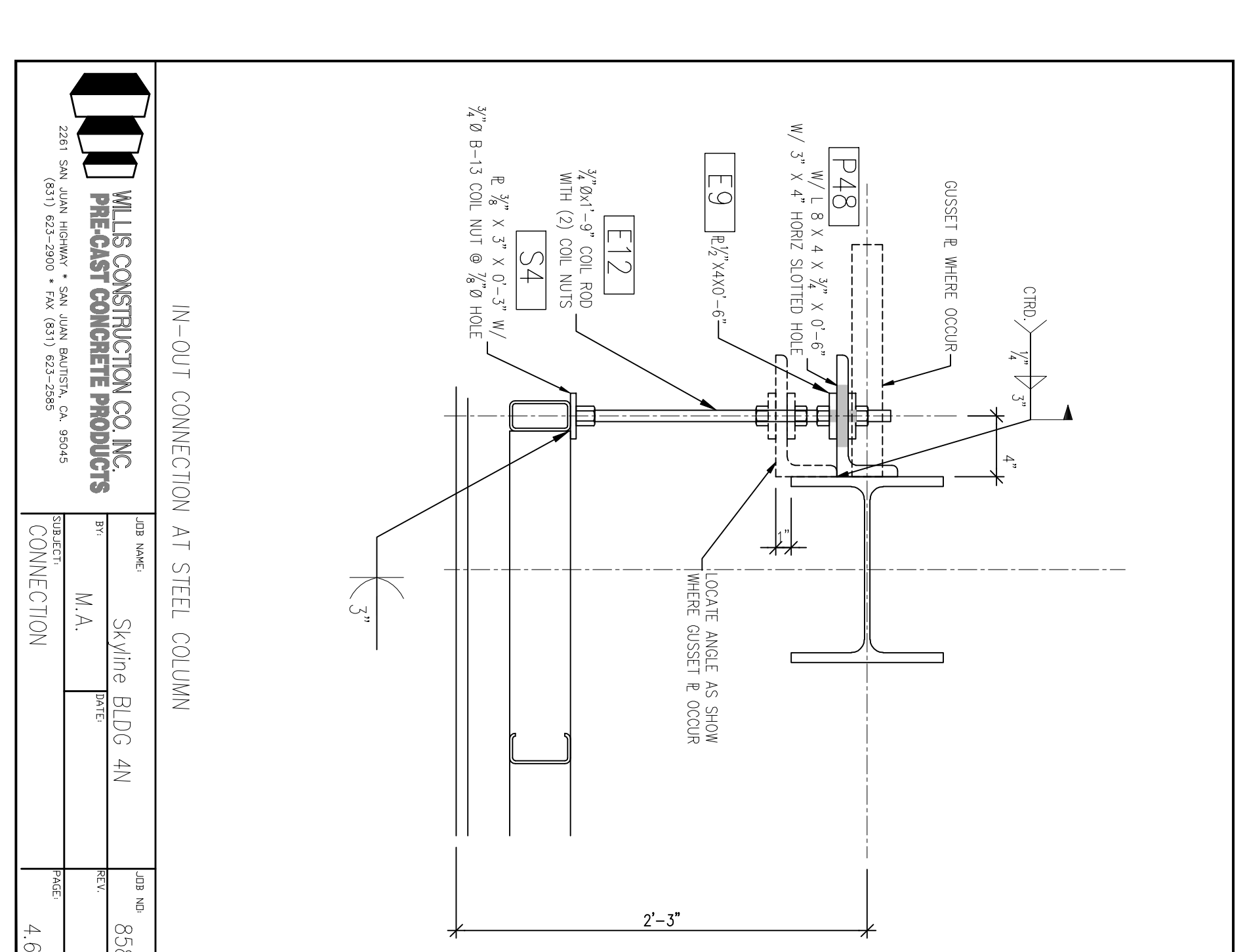
WILLS CONSTRUCTION CO. INC. PRE-CAST CONCRETE PRODUCTS	
2281 SAN JUAN AVENUE • SAN JUAN BAPTIST, CALIFORNIA (951) 423-2900 • FAX (951) 553-2548	
JOB NO. 858	CONNECTION
PROJECT M.A.	CONNECTION
SCALE 4.7:1	



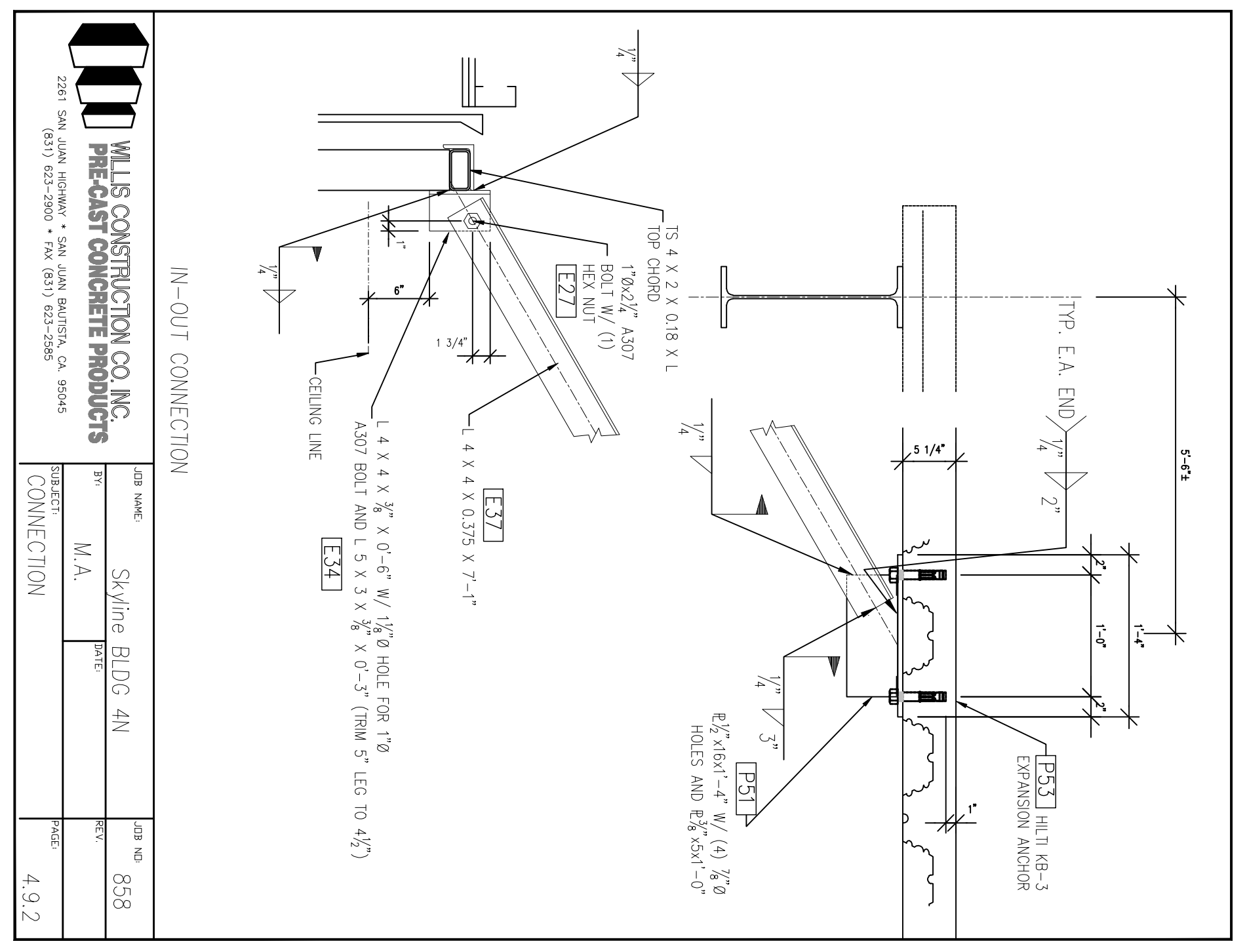
WILLS CONSTRUCTION CO. INC. PRE-CAST CONCRETE PRODUCTS	
2281 SAN JUAN AVENUE • SAN JUAN BAPTIST, CALIFORNIA (951) 423-2900 • FAX (951) 553-2548	
JOB NO. 858	CONNECTION
PROJECT M.A.	CONNECTION
SCALE 4.7:0	



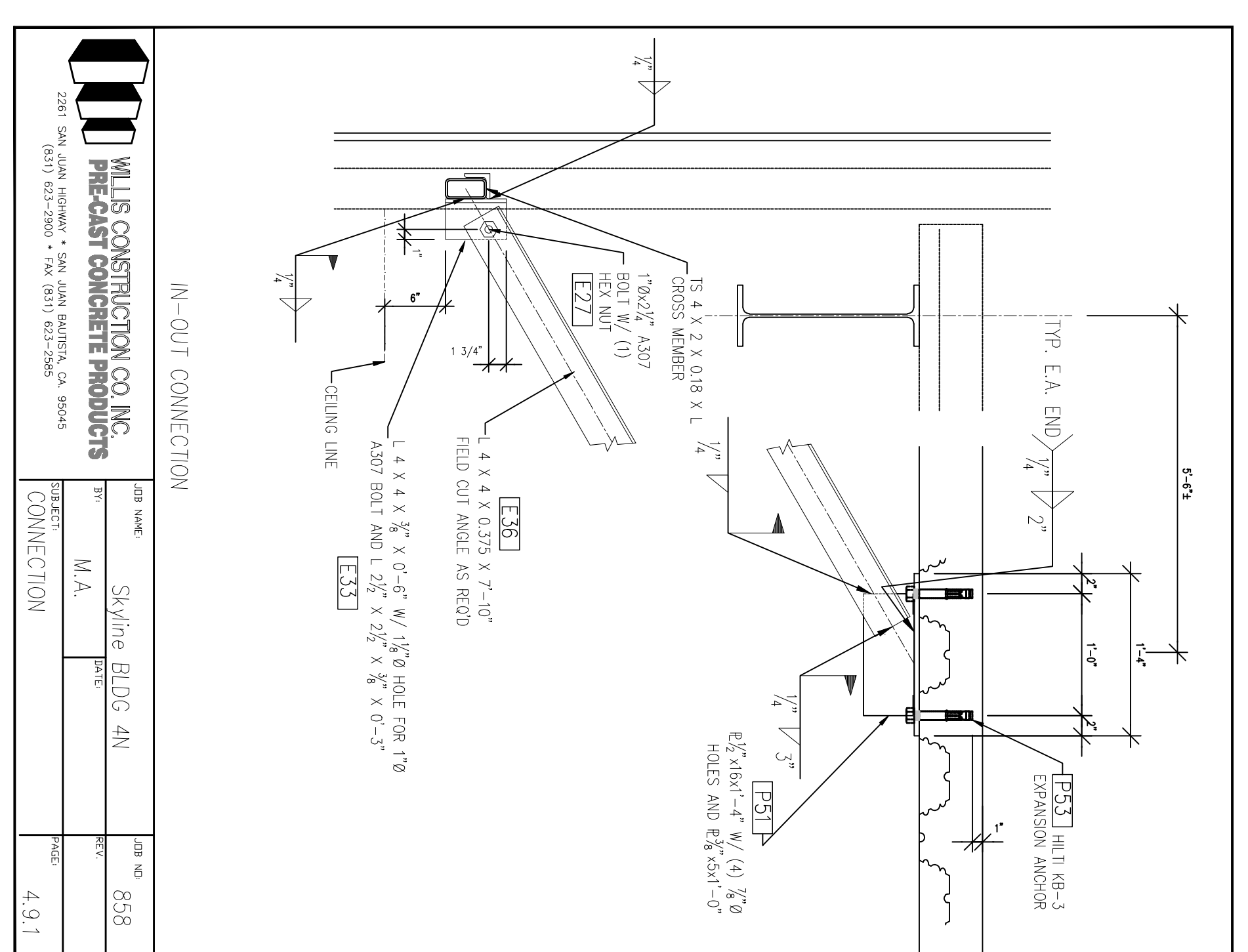
WILLS CONSTRUCTION CO. INC. PRE-CAST CONCRETE PRODUCTS	
2281 SAN JUAN AVENUE • SAN JUAN BAPTIST, CALIFORNIA (951) 423-2900 • FAX (951) 553-2548	
JOB NO. 858	CONNECTION
PROJECT M.A.	CONNECTION
SCALE 4.6:2	



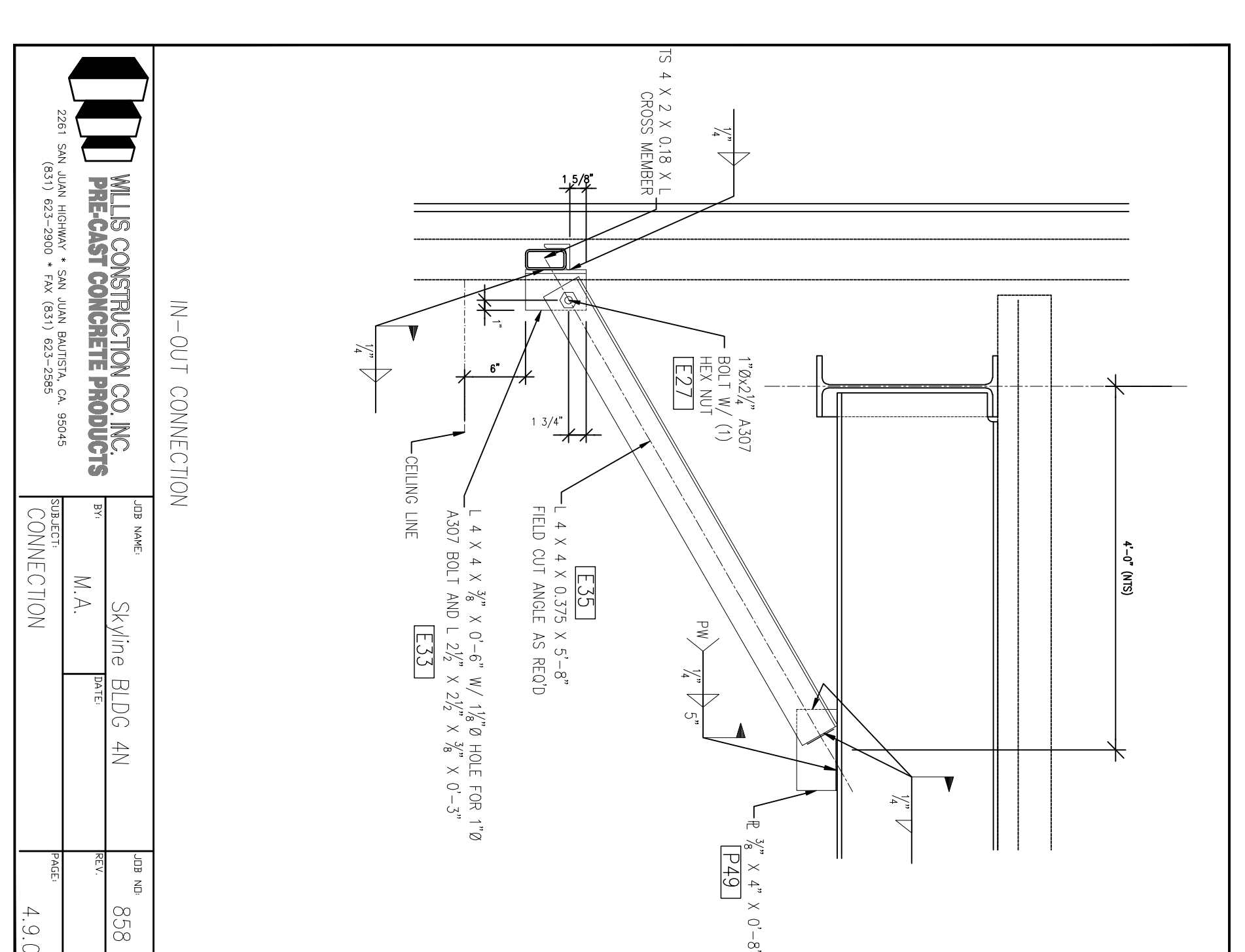
WILLS CONSTRUCTION CO. INC. PRE-CAST CONCRETE PRODUCTS	
2281 SAN JUAN AVENUE • SAN JUAN BAPTIST, CALIFORNIA (951) 423-2900 • FAX (951) 553-2548	
JOB NO. 858	CONNECTION
PROJECT M.A.	CONNECTION
SCALE 4.6:1	



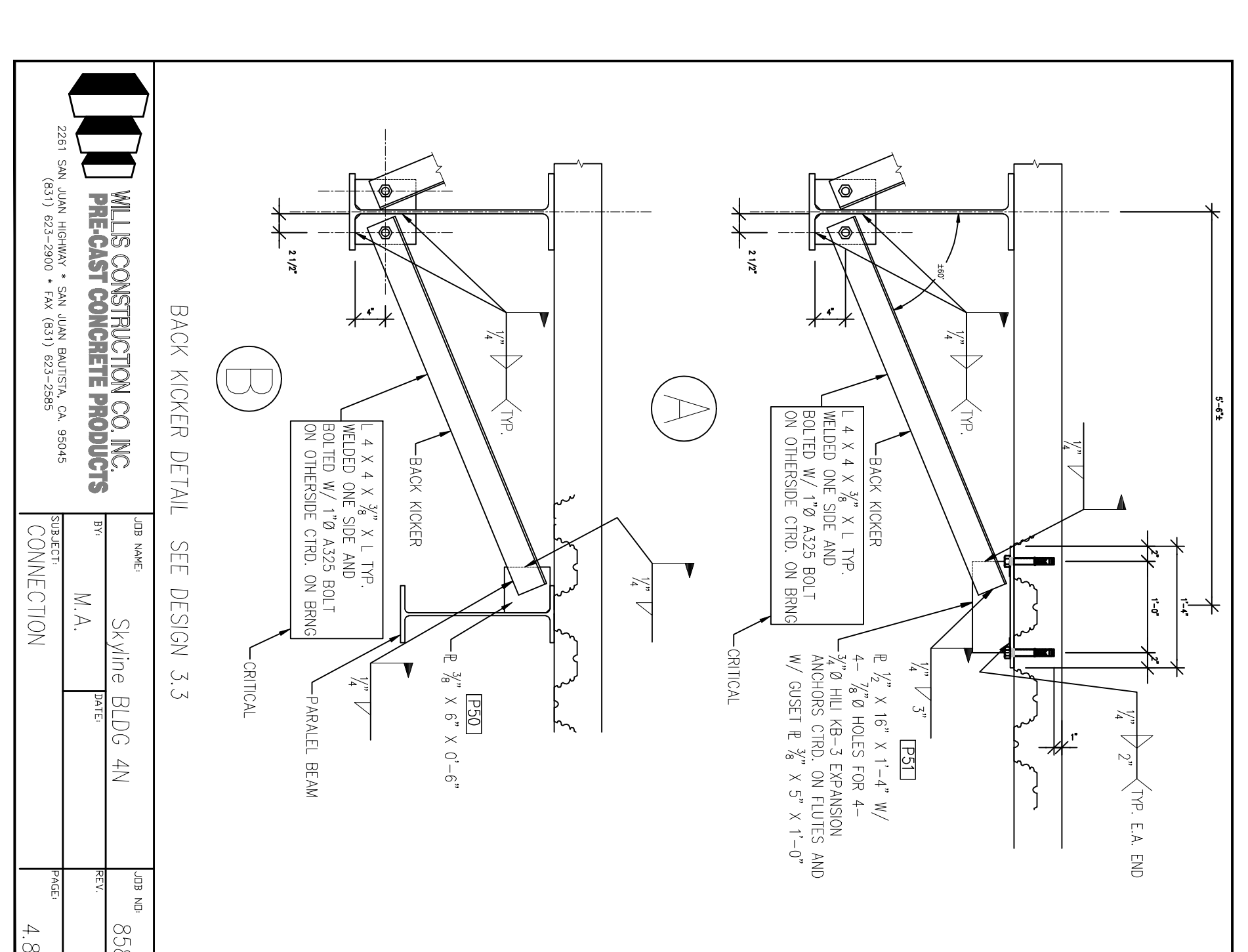
WILLS CONSTRUCTION CO. INC. PRE-CAST CONCRETE PRODUCTS	
2281 SAN JUAN AVENUE • SAN JUAN BAPTIST, CALIFORNIA (951) 423-2900 • FAX (951) 553-2548	
JOB NO. 858	CONNECTION
PROJECT M.A.	CONNECTION
SCALE 4.9:2	



WILLS CONSTRUCTION CO. INC. PRE-CAST CONCRETE PRODUCTS	
2281 SAN JUAN AVENUE • SAN JUAN BAPTIST, CALIFORNIA (951) 423-2900 • FAX (951) 553-2548	
JOB NO. 858	CONNECTION
PROJECT M.A.	CONNECTION
SCALE 4.9:1	



WILLS CONSTRUCTION CO. INC. PRE-CAST CONCRETE PRODUCTS	
2281 SAN JUAN AVENUE • SAN JUAN BAPTIST, CALIFORNIA (951) 423-2900 • FAX (951) 553-2548	
JOB NO. 858	CONNECTION
PROJECT M.A.	CONNECTION
SCALE 4.9:0	



WILLS CONSTRUCTION CO. INC. PRE-CAST CONCRETE PRODUCTS	
2281 SAN JUAN AVENUE • SAN JUAN BAPTIST, CALIFORNIA (951) 423-2900 • FAX (951) 553-2548	
JOB NO. 858	CONNECTION
PROJECT M.A.	CONNECTION
SCALE 4.8:0	

All drawings and details are the property of Wills Construction Co. Inc. and shall remain the property of Wills Construction Co. Inc. No part of these drawings may be reproduced or transmitted in any form or by any means, electronic, mechanical, photocopying, recording, or by any information storage and retrieval system, without the prior written permission of Wills Construction Co. Inc.

This drawing is not to be used for any other project without the prior written permission of Wills Construction Co. Inc. This drawing is not to be used for any other project without the prior written permission of Wills Construction Co. Inc.