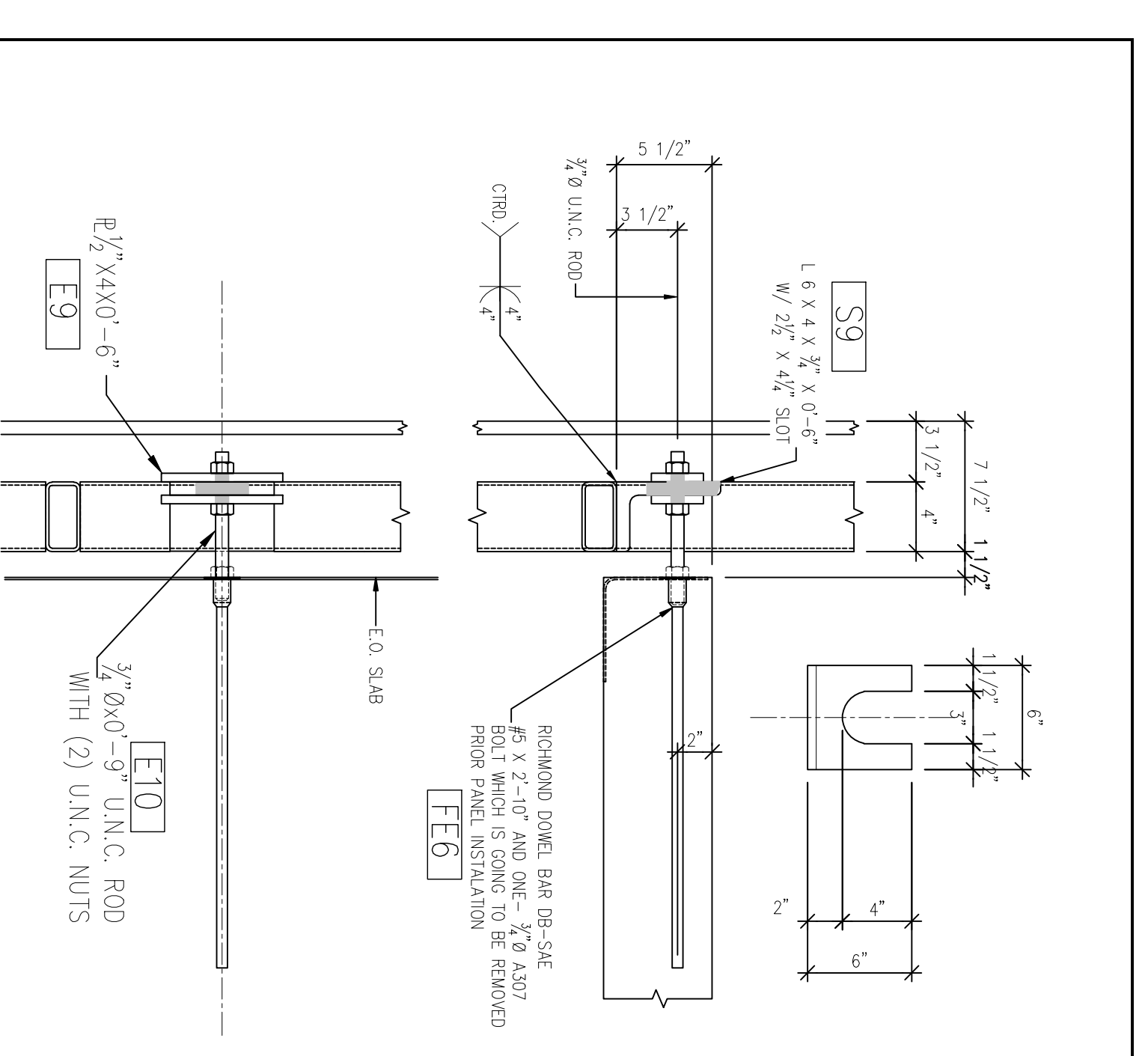
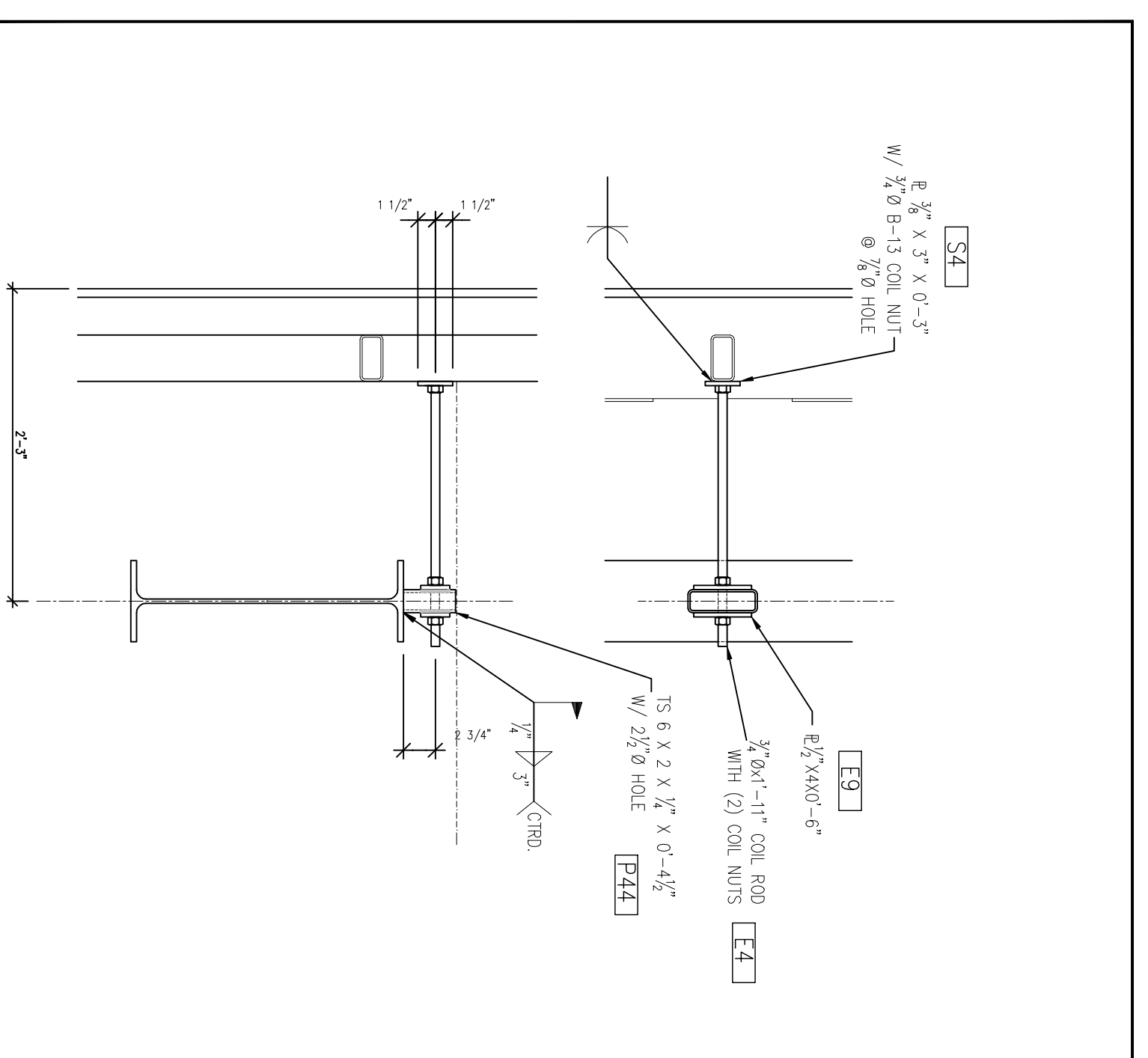


WILIS CONSTRUCTION CO. INC. PRE-CAST CONCRETE PRODUCTS	
2201 SAN JUAN AVENUE • SAN JUAN BATISTIA, CA 95045 (925) 423-2900 • FAX (925) 423-2948	
NO.	DATE
1	ISSUE FOR PERMIT
2	10% SUBMITTAL DESIGN SUBMITTAL
3	30% DESIGN DEVELOPMENT SUBMITTAL
4	NON DESIGN DEVELOPMENT SUBMITTAL
5	FINAL DESIGN DEVELOPMENT SUBMITTAL
6	FINAL DESIGN DEVELOPMENT SUBMITTAL
7	REVISION #1
8	REVISION #2
9	REVISION #3
10	REVISION #4
11	REVISION #5
12	REVISION #6
13	REVISION #7
14	REVISION #8
15	REVISION #9
16	REVISION #10
17	REVISION #11
18	REVISION #12
19	REVISION #13
20	REVISION #14
21	REVISION #15
22	REVISION #16
23	REVISION #17
24	REVISION #18
25	REVISION #19
26	REVISION #20
27	REVISION #21
28	REVISION #22
29	REVISION #23
30	REVISION #24
31	REVISION #25
32	REVISION #26
33	REVISION #27
34	REVISION #28
35	REVISION #29
36	REVISION #30
37	REVISION #31
38	REVISION #32
39	REVISION #33
40	REVISION #34
41	REVISION #35
42	REVISION #36
43	REVISION #37
44	REVISION #38
45	REVISION #39
46	REVISION #40
47	REVISION #41
48	REVISION #42
49	REVISION #43
50	REVISION #44
51	REVISION #45
52	REVISION #46
53	REVISION #47
54	REVISION #48
55	REVISION #49
56	REVISION #50
57	REVISION #51
58	REVISION #52
59	REVISION #53
60	REVISION #54
61	REVISION #55
62	REVISION #56
63	REVISION #57
64	REVISION #58
65	REVISION #59
66	REVISION #60
67	REVISION #61
68	REVISION #62
69	REVISION #63
70	REVISION #64
71	REVISION #65
72	REVISION #66
73	REVISION #67
74	REVISION #68
75	REVISION #69
76	REVISION #70
77	REVISION #71
78	REVISION #72
79	REVISION #73
80	REVISION #74
81	REVISION #75
82	REVISION #76
83	REVISION #77
84	REVISION #78
85	REVISION #79
86	REVISION #80
87	REVISION #81
88	REVISION #82
89	REVISION #83
90	REVISION #84
91	REVISION #85
92	REVISION #86
93	REVISION #87
94	REVISION #88
95	REVISION #89
96	REVISION #90
97	REVISION #91
98	REVISION #92
99	REVISION #93
100	REVISION #94
101	REVISION #95
102	REVISION #96
103	REVISION #97
104	REVISION #98
105	REVISION #99
106	REVISION #100



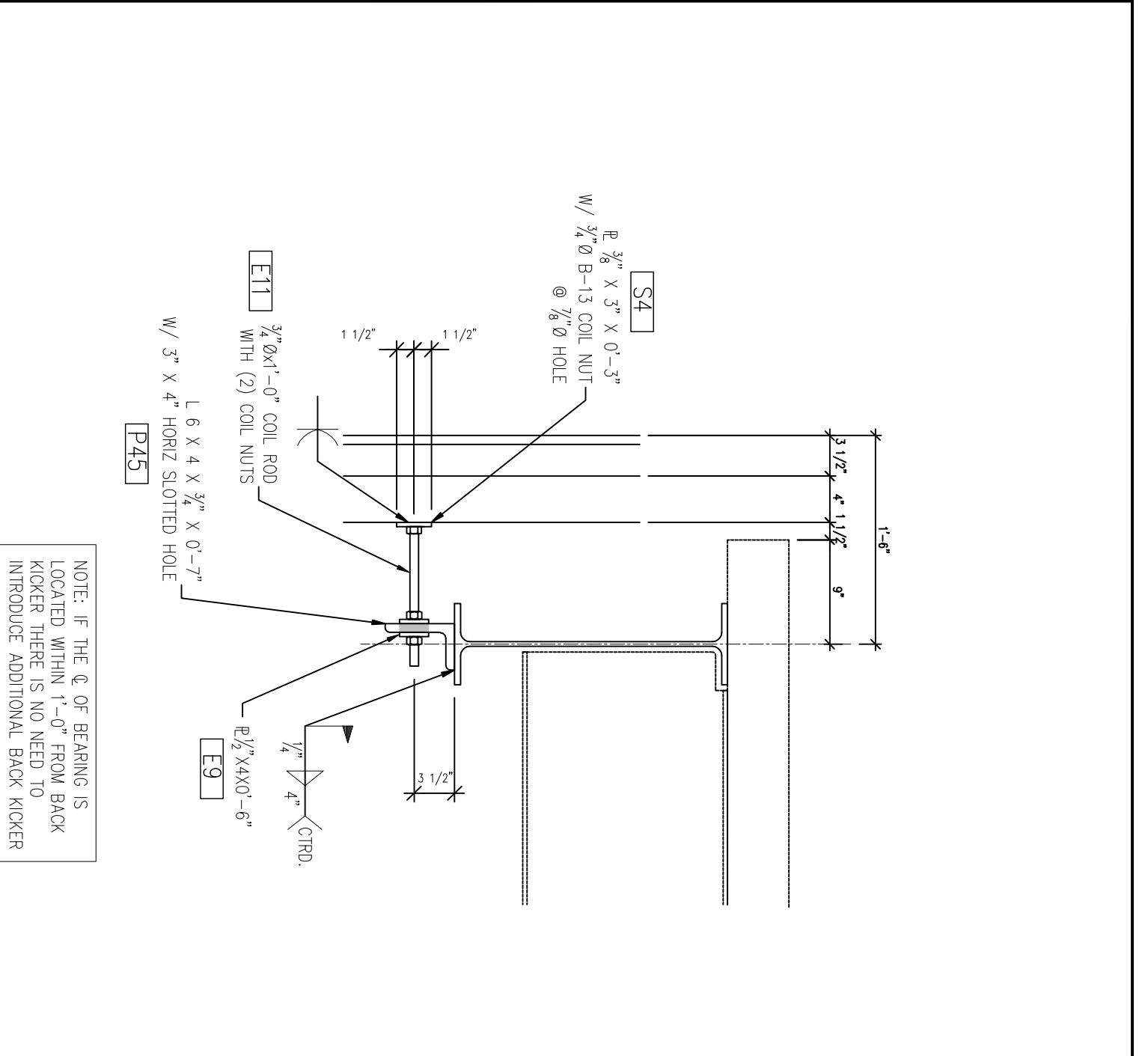
WILIS CONSTRUCTION CO. INC.
PRE-CAST CONCRETE PRODUCTS
 2201 SAN JUAN AVENUE • SAN JUAN BATISTIA, CA 95045
 (925) 423-2900 • FAX (925) 423-2948

JOB NAME:	Skyline Bldg. 4N	JOB NO.	858
PROJECT:	M.A.	DATE:	
CONNECTION:	CONNECTION	SCALE:	4:1.0



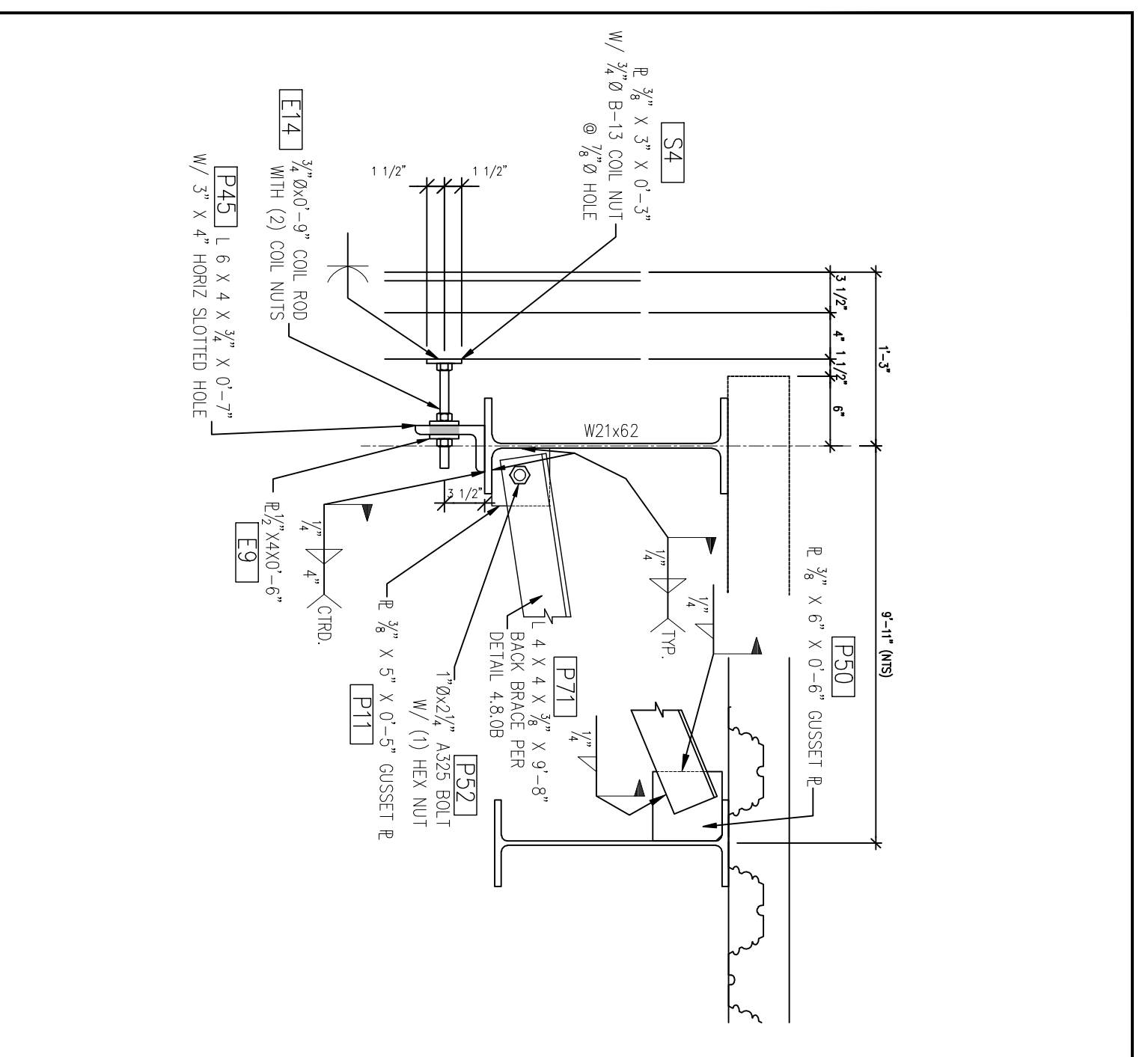
WILIS CONSTRUCTION CO. INC.
PRE-CAST CONCRETE PRODUCTS
 2201 SAN JUAN AVENUE • SAN JUAN BATISTIA, CA 95045
 (925) 423-2900 • FAX (925) 423-2948

JOB NAME:	Skyline Bldg. 4N	JOB NO.	858
PROJECT:	M.A.	DATE:	
CONNECTION:	CONNECTION	SCALE:	4:3.0



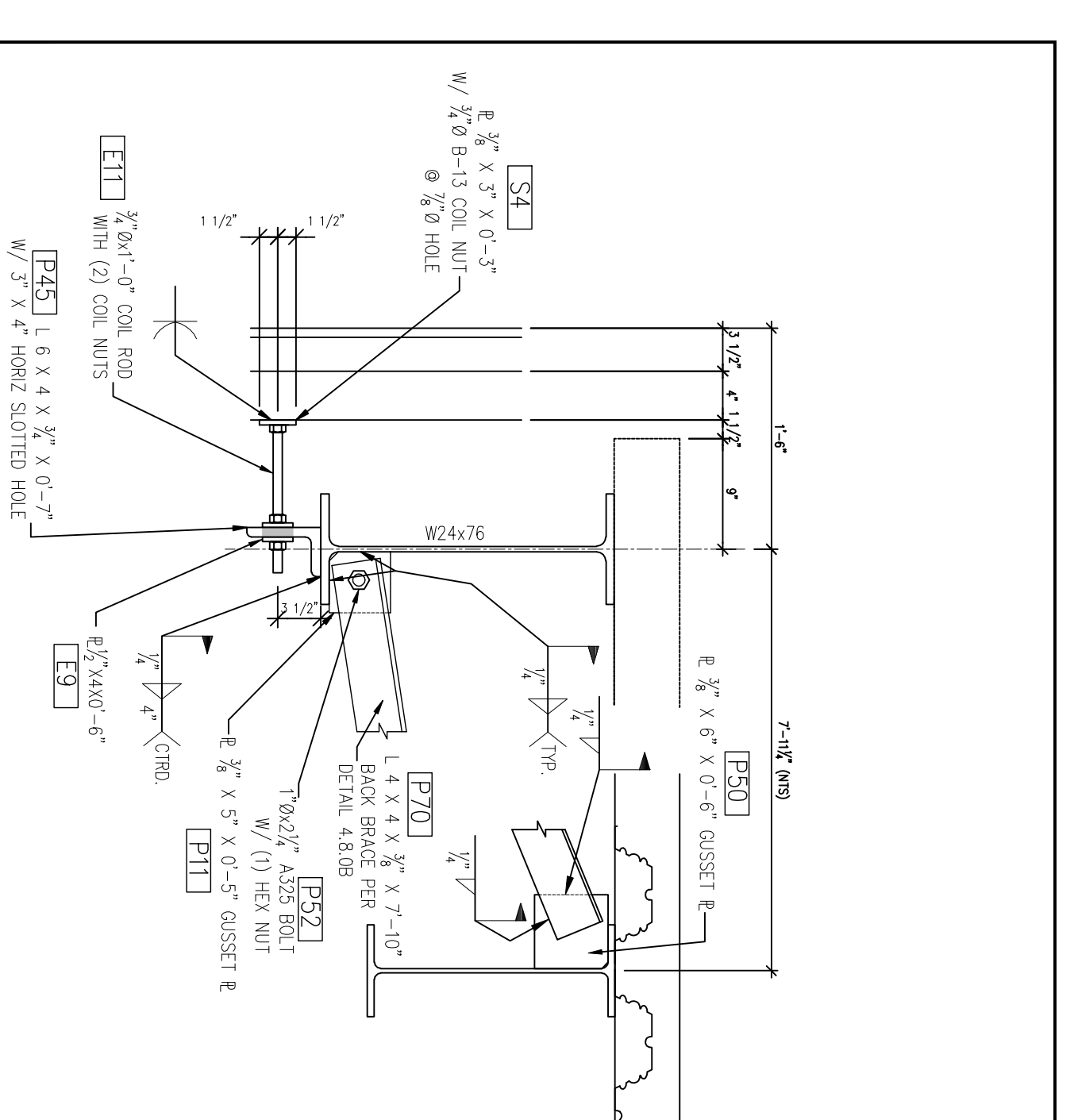
WILIS CONSTRUCTION CO. INC.
PRE-CAST CONCRETE PRODUCTS
 2201 SAN JUAN AVENUE • SAN JUAN BATISTIA, CA 95045
 (925) 423-2900 • FAX (925) 423-2948

JOB NAME:	Skyline Bldg. 4N	JOB NO.	858
PROJECT:	M.A.	DATE:	
CONNECTION:	CONNECTION	SCALE:	4:4.0



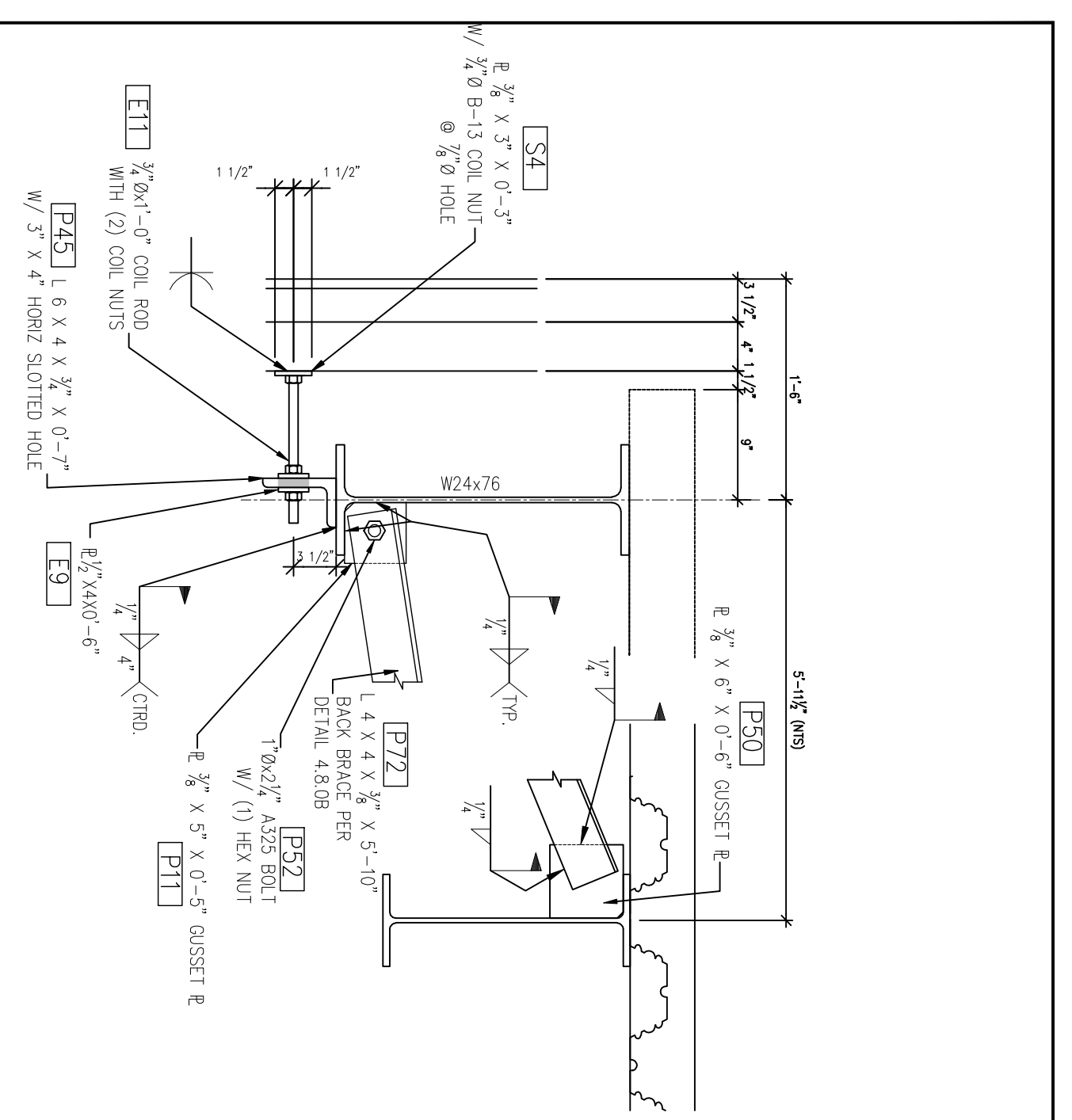
WILIS CONSTRUCTION CO. INC.
PRE-CAST CONCRETE PRODUCTS
 2201 SAN JUAN AVENUE • SAN JUAN BATISTIA, CA 95045
 (925) 423-2900 • FAX (925) 423-2948

JOB NAME:	Skyline Bldg. 4N	JOB NO.	858
PROJECT:	M.A.	DATE:	
CONNECTION:	CONNECTION	SCALE:	4:4.2



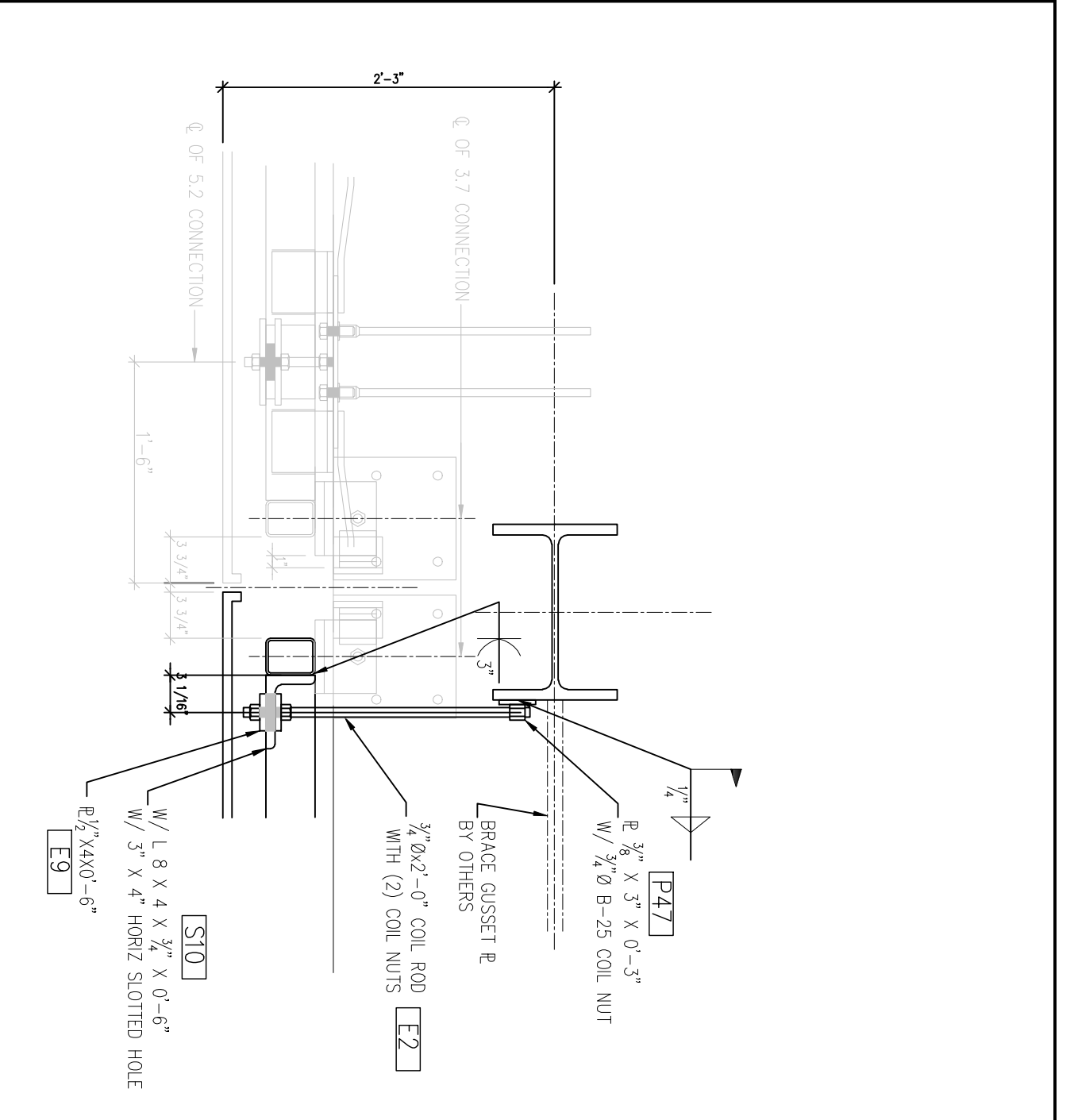
WILIS CONSTRUCTION CO. INC.
PRE-CAST CONCRETE PRODUCTS
 2201 SAN JUAN AVENUE • SAN JUAN BATISTIA, CA 95045
 (925) 423-2900 • FAX (925) 423-2948

JOB NAME:	Skyline Bldg. 4N	JOB NO.	858
PROJECT:	M.A.	DATE:	
CONNECTION:	CONNECTION	SCALE:	4:4.3



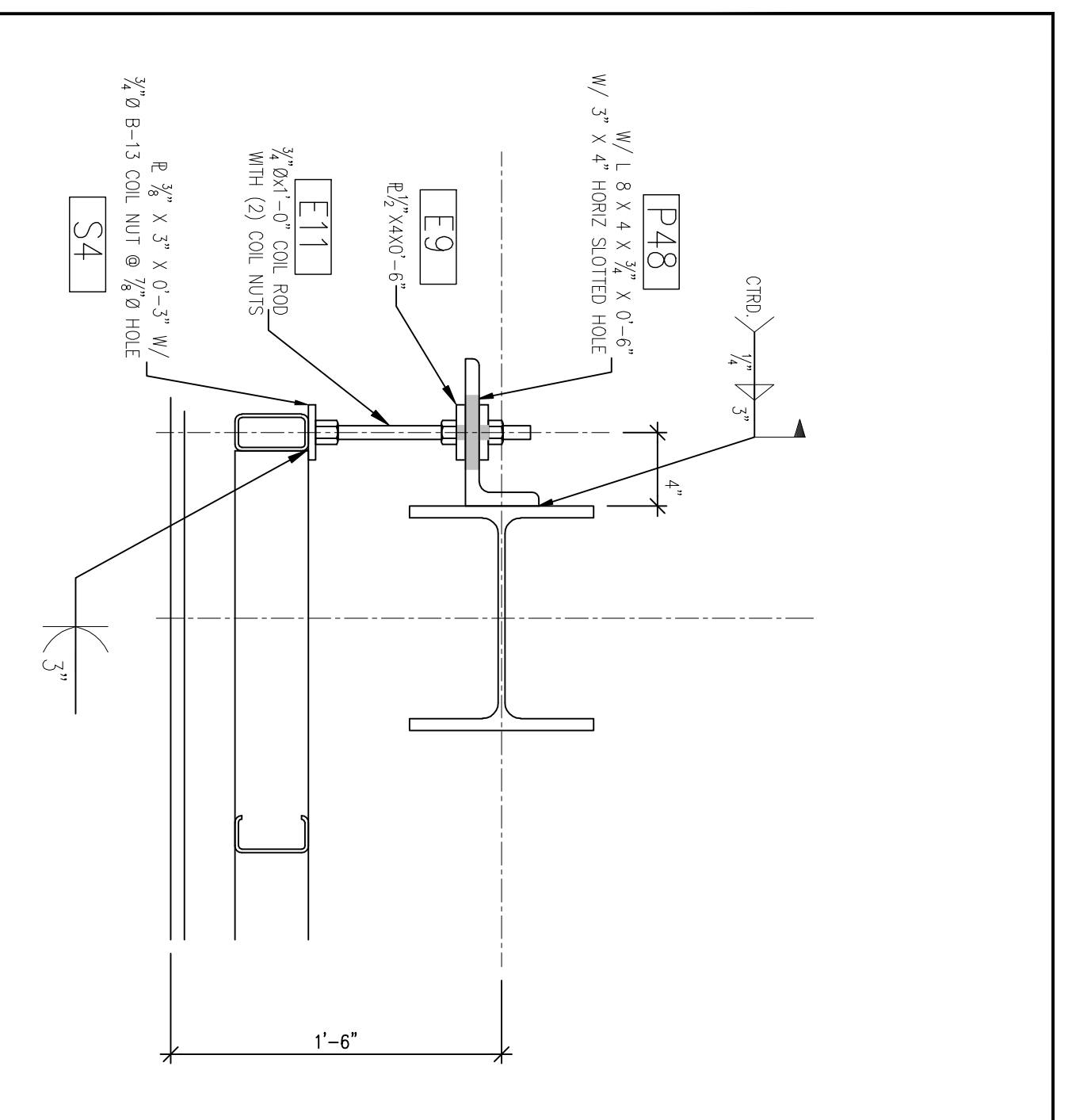
WILIS CONSTRUCTION CO. INC.
PRE-CAST CONCRETE PRODUCTS
 2201 SAN JUAN AVENUE • SAN JUAN BATISTIA, CA 95045
 (925) 423-2900 • FAX (925) 423-2948

JOB NAME:	Skyline Bldg. 4N	JOB NO.	858
PROJECT:	M.A.	DATE:	
CONNECTION:	CONNECTION	SCALE:	4:4.4



WILIS CONSTRUCTION CO. INC.
PRE-CAST CONCRETE PRODUCTS
 2201 SAN JUAN AVENUE • SAN JUAN BATISTIA, CA 95045
 (925) 423-2900 • FAX (925) 423-2948

JOB NAME:	Skyline Bldg. 4N	JOB NO.	858
PROJECT:	M.A.	DATE:	
CONNECTION:	CONNECTION	SCALE:	4:5.0



WILIS CONSTRUCTION CO. INC.
PRE-CAST CONCRETE PRODUCTS
 2201 SAN JUAN AVENUE • SAN JUAN BATISTIA, CA 95045
 (925) 423-2900 • FAX (925) 423-2948

JOB NAME:	Skyline Bldg. 4N	JOB NO.	858
PROJECT:	M.A.	DATE:	
CONNECTION:	CONNECTION	SCALE:	4:6.0

DIVISION OF THE
 STATE ARCHITECT
 APPL # 01-110117
 FILE # A-10-1
 AG _____ RS _____
 SSS _____ DME _____
 IDENTIFICATION
 STAMP



SKYLINE COLLEGE
 SAN JUAN COUNTY
 COMMUNITY COLLEGE
 DESIGN
CIP2 DESIGN-BUILD
PROJECT BUILDING 4
INCREMENT 2

AS BUILT DRAWINGS
JANUARY 12, 2011

PC-838