

| NO. | REVISIONS        | DATE     |
|-----|------------------|----------|
| 1   | ISSUE FOR PERMIT | 01/11/11 |
| 2   | FOR CONSTRUCTION | 01/11/11 |
| 3   | FOR CONSTRUCTION | 01/11/11 |
| 4   | FOR CONSTRUCTION | 01/11/11 |
| 5   | FOR CONSTRUCTION | 01/11/11 |
| 6   | FOR CONSTRUCTION | 01/11/11 |
| 7   | FOR CONSTRUCTION | 01/11/11 |
| 8   | FOR CONSTRUCTION | 01/11/11 |
| 9   | FOR CONSTRUCTION | 01/11/11 |
| 10  | FOR CONSTRUCTION | 01/11/11 |
| 11  | FOR CONSTRUCTION | 01/11/11 |
| 12  | FOR CONSTRUCTION | 01/11/11 |
| 13  | FOR CONSTRUCTION | 01/11/11 |
| 14  | FOR CONSTRUCTION | 01/11/11 |
| 15  | FOR CONSTRUCTION | 01/11/11 |
| 16  | FOR CONSTRUCTION | 01/11/11 |
| 17  | FOR CONSTRUCTION | 01/11/11 |
| 18  | FOR CONSTRUCTION | 01/11/11 |
| 19  | FOR CONSTRUCTION | 01/11/11 |
| 20  | FOR CONSTRUCTION | 01/11/11 |
| 21  | FOR CONSTRUCTION | 01/11/11 |
| 22  | FOR CONSTRUCTION | 01/11/11 |
| 23  | FOR CONSTRUCTION | 01/11/11 |
| 24  | FOR CONSTRUCTION | 01/11/11 |
| 25  | FOR CONSTRUCTION | 01/11/11 |
| 26  | FOR CONSTRUCTION | 01/11/11 |
| 27  | FOR CONSTRUCTION | 01/11/11 |
| 28  | FOR CONSTRUCTION | 01/11/11 |
| 29  | FOR CONSTRUCTION | 01/11/11 |
| 30  | FOR CONSTRUCTION | 01/11/11 |
| 31  | FOR CONSTRUCTION | 01/11/11 |
| 32  | FOR CONSTRUCTION | 01/11/11 |
| 33  | FOR CONSTRUCTION | 01/11/11 |
| 34  | FOR CONSTRUCTION | 01/11/11 |
| 35  | FOR CONSTRUCTION | 01/11/11 |
| 36  | FOR CONSTRUCTION | 01/11/11 |
| 37  | FOR CONSTRUCTION | 01/11/11 |
| 38  | FOR CONSTRUCTION | 01/11/11 |
| 39  | FOR CONSTRUCTION | 01/11/11 |
| 40  | FOR CONSTRUCTION | 01/11/11 |
| 41  | FOR CONSTRUCTION | 01/11/11 |
| 42  | FOR CONSTRUCTION | 01/11/11 |
| 43  | FOR CONSTRUCTION | 01/11/11 |
| 44  | FOR CONSTRUCTION | 01/11/11 |
| 45  | FOR CONSTRUCTION | 01/11/11 |
| 46  | FOR CONSTRUCTION | 01/11/11 |
| 47  | FOR CONSTRUCTION | 01/11/11 |
| 48  | FOR CONSTRUCTION | 01/11/11 |
| 49  | FOR CONSTRUCTION | 01/11/11 |
| 50  | FOR CONSTRUCTION | 01/11/11 |
| 51  | FOR CONSTRUCTION | 01/11/11 |
| 52  | FOR CONSTRUCTION | 01/11/11 |
| 53  | FOR CONSTRUCTION | 01/11/11 |
| 54  | FOR CONSTRUCTION | 01/11/11 |
| 55  | FOR CONSTRUCTION | 01/11/11 |
| 56  | FOR CONSTRUCTION | 01/11/11 |
| 57  | FOR CONSTRUCTION | 01/11/11 |
| 58  | FOR CONSTRUCTION | 01/11/11 |
| 59  | FOR CONSTRUCTION | 01/11/11 |
| 60  | FOR CONSTRUCTION | 01/11/11 |
| 61  | FOR CONSTRUCTION | 01/11/11 |
| 62  | FOR CONSTRUCTION | 01/11/11 |
| 63  | FOR CONSTRUCTION | 01/11/11 |
| 64  | FOR CONSTRUCTION | 01/11/11 |
| 65  | FOR CONSTRUCTION | 01/11/11 |
| 66  | FOR CONSTRUCTION | 01/11/11 |
| 67  | FOR CONSTRUCTION | 01/11/11 |
| 68  | FOR CONSTRUCTION | 01/11/11 |
| 69  | FOR CONSTRUCTION | 01/11/11 |
| 70  | FOR CONSTRUCTION | 01/11/11 |
| 71  | FOR CONSTRUCTION | 01/11/11 |
| 72  | FOR CONSTRUCTION | 01/11/11 |
| 73  | FOR CONSTRUCTION | 01/11/11 |
| 74  | FOR CONSTRUCTION | 01/11/11 |
| 75  | FOR CONSTRUCTION | 01/11/11 |
| 76  | FOR CONSTRUCTION | 01/11/11 |
| 77  | FOR CONSTRUCTION | 01/11/11 |
| 78  | FOR CONSTRUCTION | 01/11/11 |
| 79  | FOR CONSTRUCTION | 01/11/11 |
| 80  | FOR CONSTRUCTION | 01/11/11 |
| 81  | FOR CONSTRUCTION | 01/11/11 |
| 82  | FOR CONSTRUCTION | 01/11/11 |
| 83  | FOR CONSTRUCTION | 01/11/11 |
| 84  | FOR CONSTRUCTION | 01/11/11 |
| 85  | FOR CONSTRUCTION | 01/11/11 |
| 86  | FOR CONSTRUCTION | 01/11/11 |
| 87  | FOR CONSTRUCTION | 01/11/11 |
| 88  | FOR CONSTRUCTION | 01/11/11 |
| 89  | FOR CONSTRUCTION | 01/11/11 |
| 90  | FOR CONSTRUCTION | 01/11/11 |
| 91  | FOR CONSTRUCTION | 01/11/11 |
| 92  | FOR CONSTRUCTION | 01/11/11 |
| 93  | FOR CONSTRUCTION | 01/11/11 |
| 94  | FOR CONSTRUCTION | 01/11/11 |
| 95  | FOR CONSTRUCTION | 01/11/11 |
| 96  | FOR CONSTRUCTION | 01/11/11 |
| 97  | FOR CONSTRUCTION | 01/11/11 |
| 98  | FOR CONSTRUCTION | 01/11/11 |
| 99  | FOR CONSTRUCTION | 01/11/11 |
| 100 | FOR CONSTRUCTION | 01/11/11 |



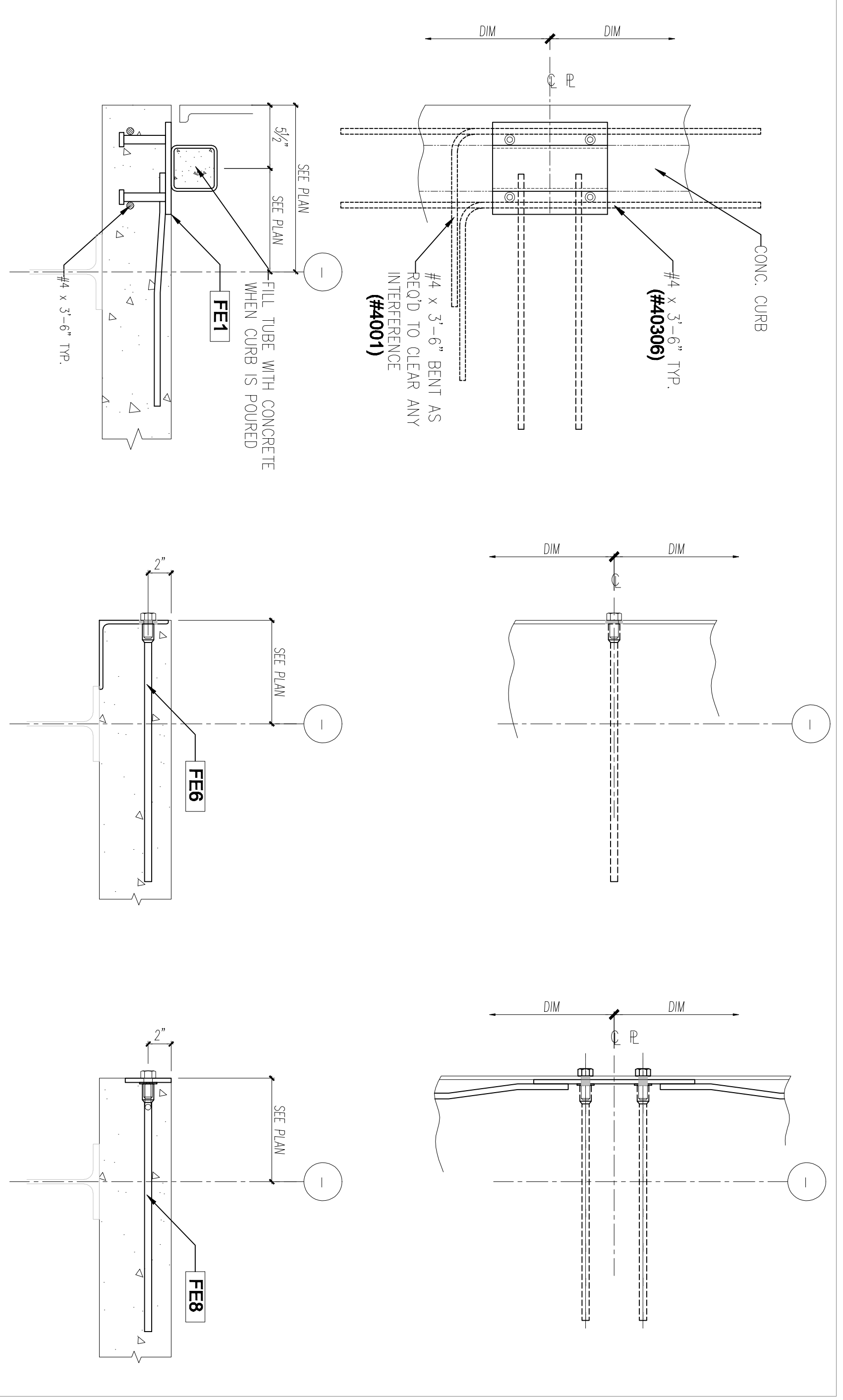
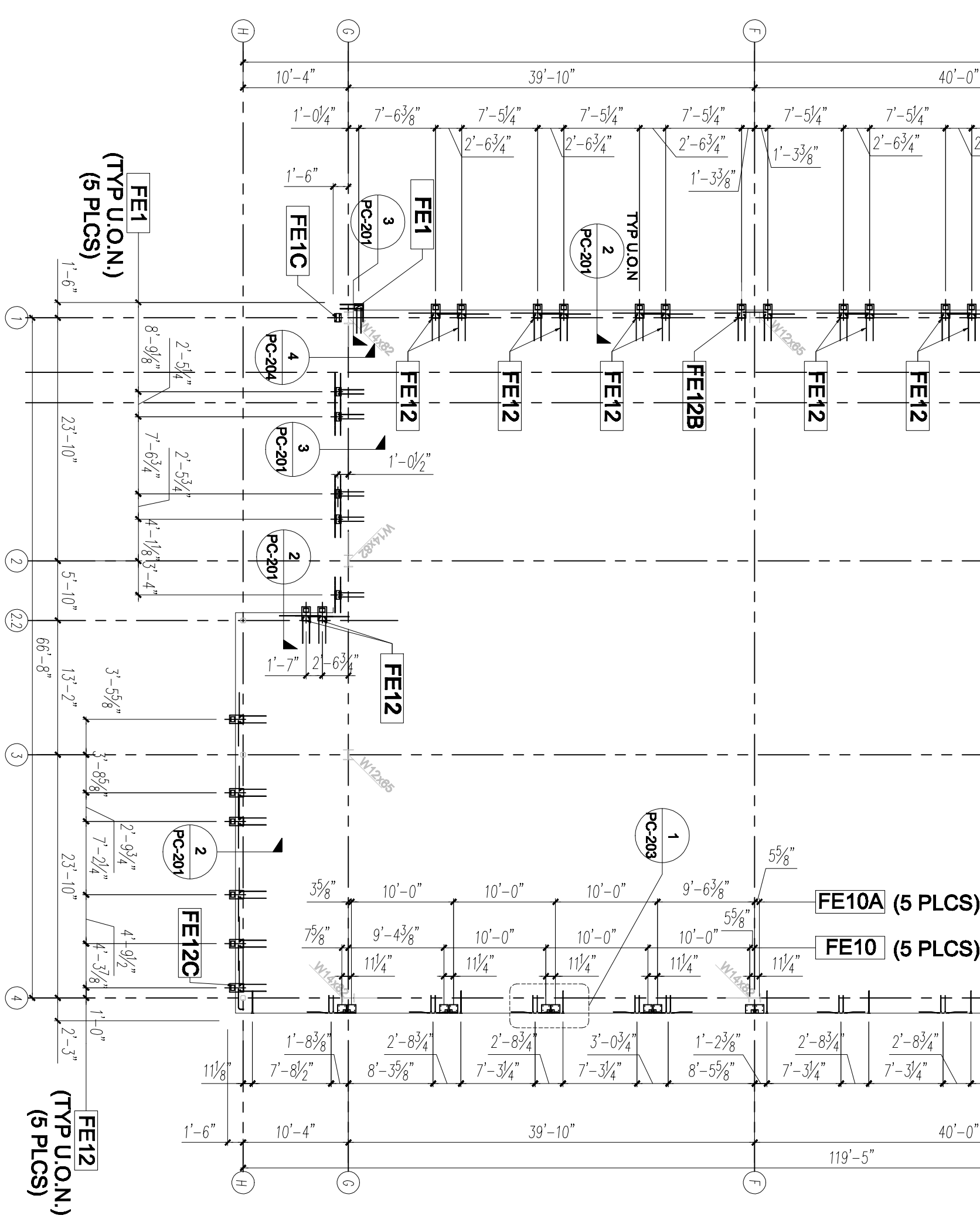
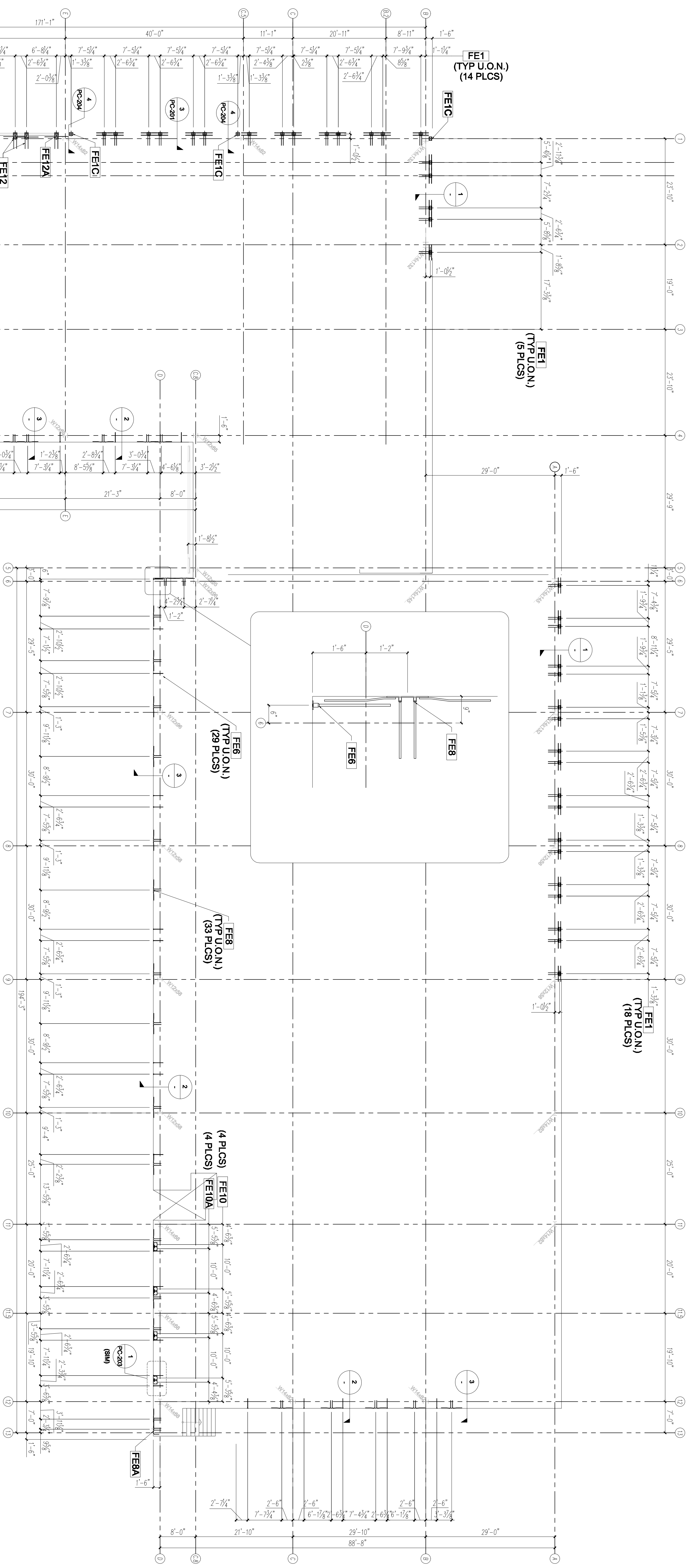
DIVISION OF THE  
 STATE ARCHITECT  
 APPL # 01-110117  
 REG. ARCHT.  
 AG: \_\_\_\_\_ RS: \_\_\_\_\_  
 SSS: \_\_\_\_\_ DWE: \_\_\_\_\_  
 IDENTIFICATION  
 STAMP

**SKYLINE COLLEGE**  
 SAN JUAN COUNTY  
 COMMUNITY COLLEGE  
 CIP2 DESIGN-BUILD  
 PROJECT  
 BUILDING 4  
 INCREMENT 2

**LEVEL 2  
 EMBED PLAN**

**AS BUILT DRAWINGS  
 JANUARY 12, 2011**

**PC-202**



All drawings and sections are the property of Steinberg Architects and shall remain their property. Any reproduction or use of these drawings without the written consent of Steinberg Architects is strictly prohibited.

This drawing is not to scale. Dimensions shall govern over notes. The user should refer to the original size.