

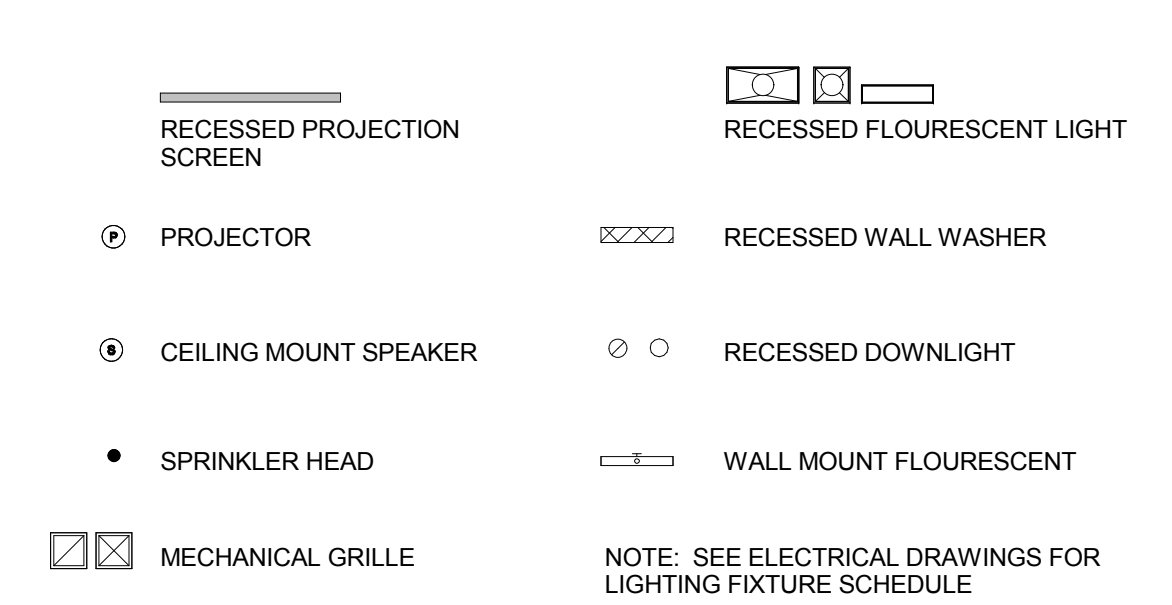
1 LEVEL 2 REFLECTED CEILING PLAN
3/32" = 1'-0"

KEY NOTES - RCP
1 WHEN DIMENSION IS GIVEN, CEILING GRID SHALL START AS INDICATED.
2 WHEN NO DIMENSION IS GIVEN, CEILING GRID SHALL BE CENTERED BETWEEN FINISH WALLS.

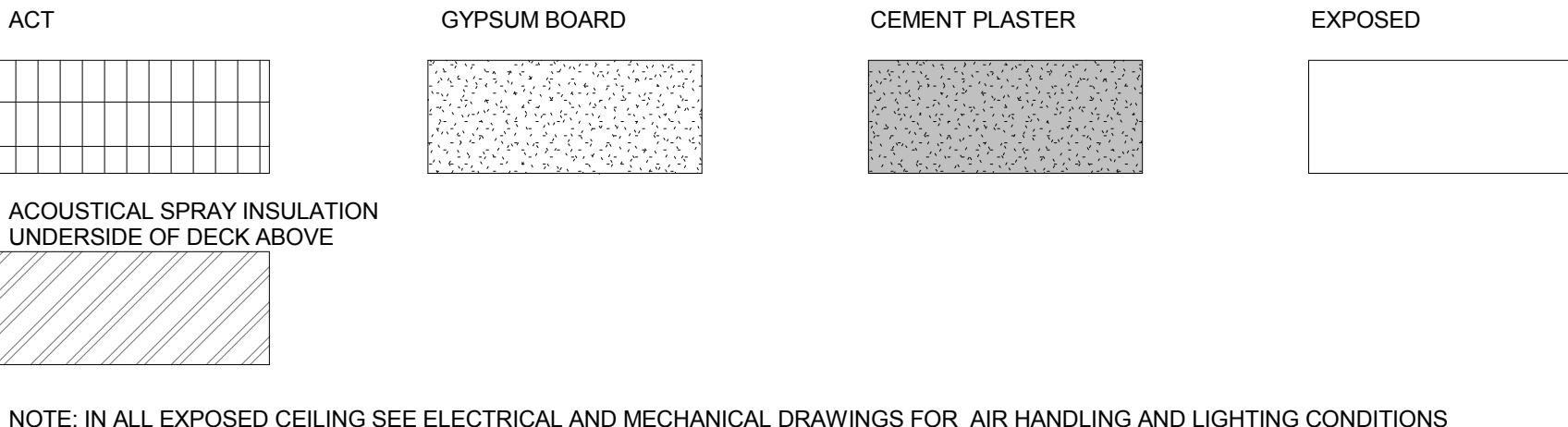
GENERAL NOTES

- 1. SEE PROJECT MANUAL FOR LIGHTING FIXTURES
- 2. SEE ELECTRICAL DRAWINGS E-200 SERIES FOR FIXTURE DESIGNATIONS
- 3. SPRINKLER HEADS SHOWN FOR DESIGN INTENT ONLY. SEE FIRE PROTECTION DRAWINGS FOR SPRINKLER HEAD INFORMATION

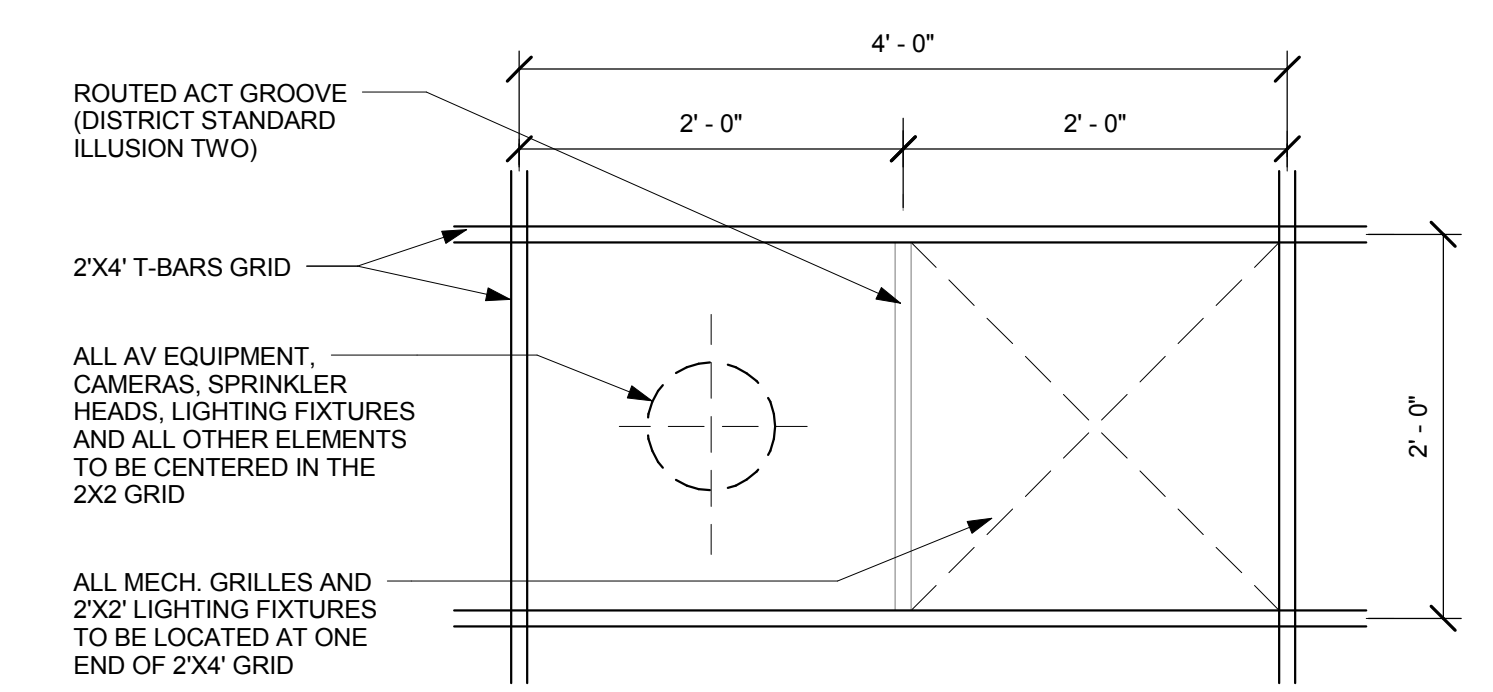
SYMBOLS LEGEND



CEILING FINISHES



CEILING MOUNTING DIAGRAM



PROJECT NO: 07012.00 DRAWN BY: RY
DATE: 04.16.2009 CHECKED BY: EK
SCALE: As indicated

LEVEL 2 REFLECTED CEILING PLAN

All drawings and written material appearing herein constitute original and unpublished work of the Architect/Engineer and may not be duplicated, used or disclosed without consent of Architect/Engineer.
If this drawing is not 30"x42", then the drawing has been revised from its original size. Noted scales must be adjusted. This line should be equal to one inch.