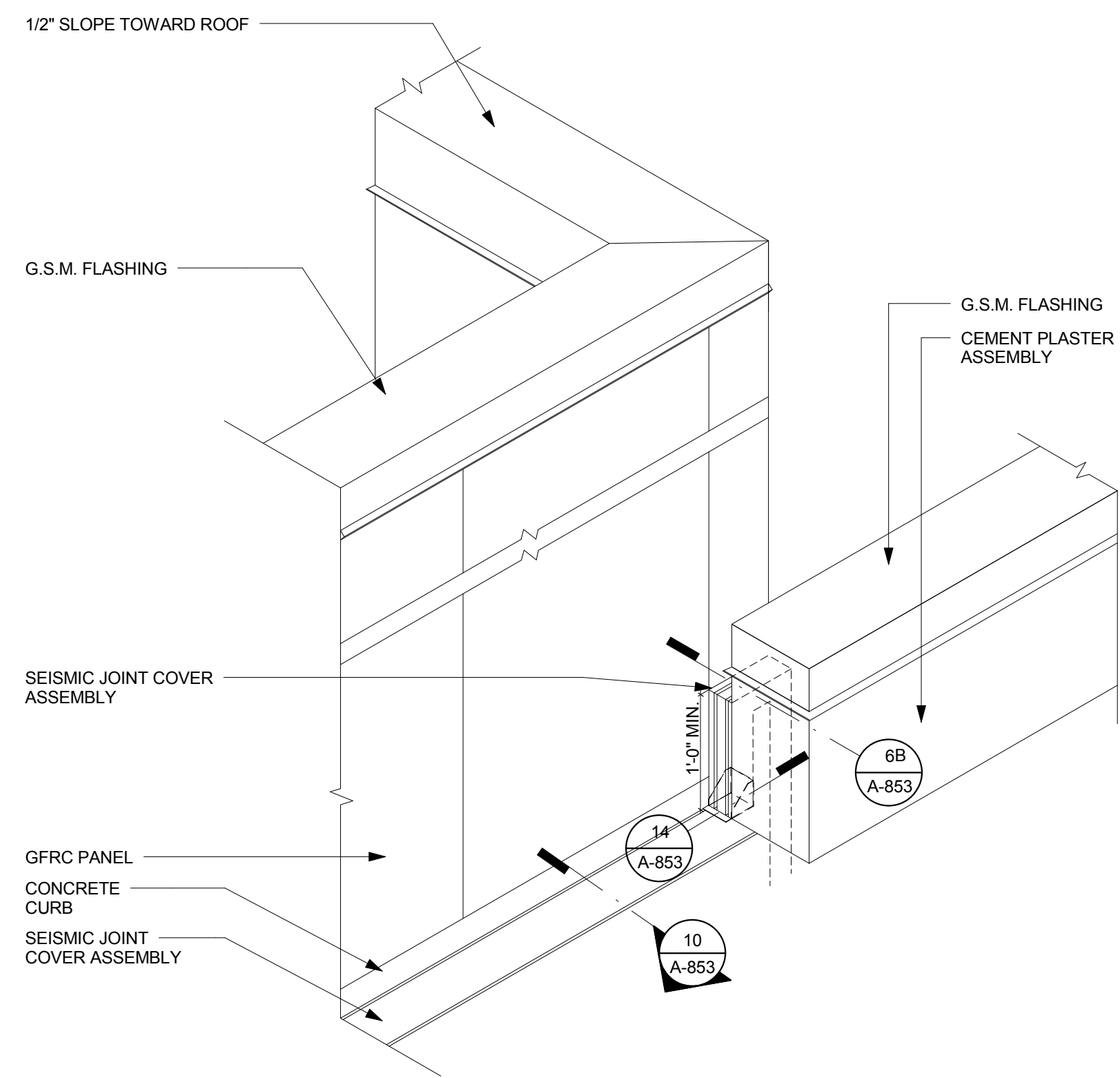
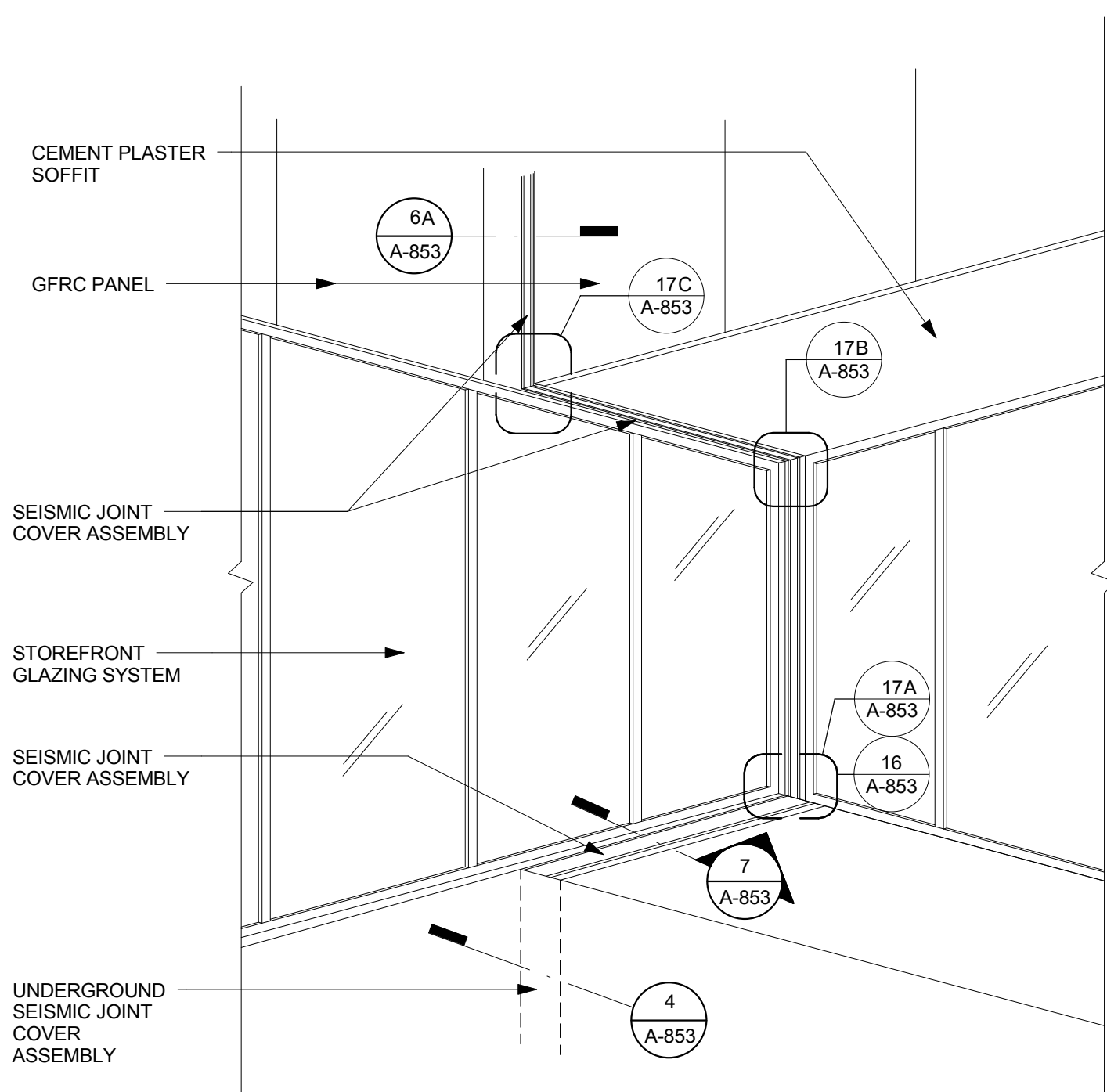


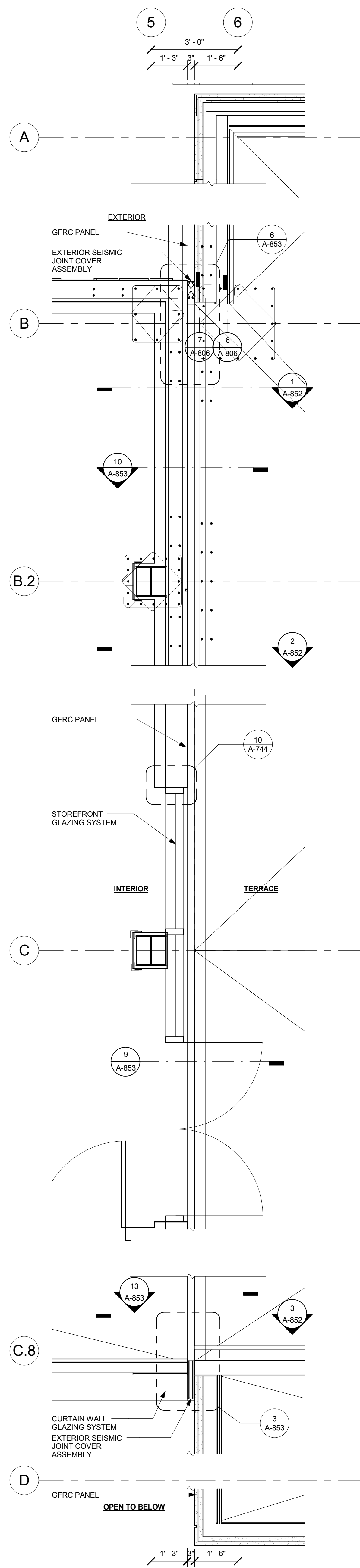
6 DIAGRAM @ C.8 BTWN 5&6 IN LEVEL 3
NTS



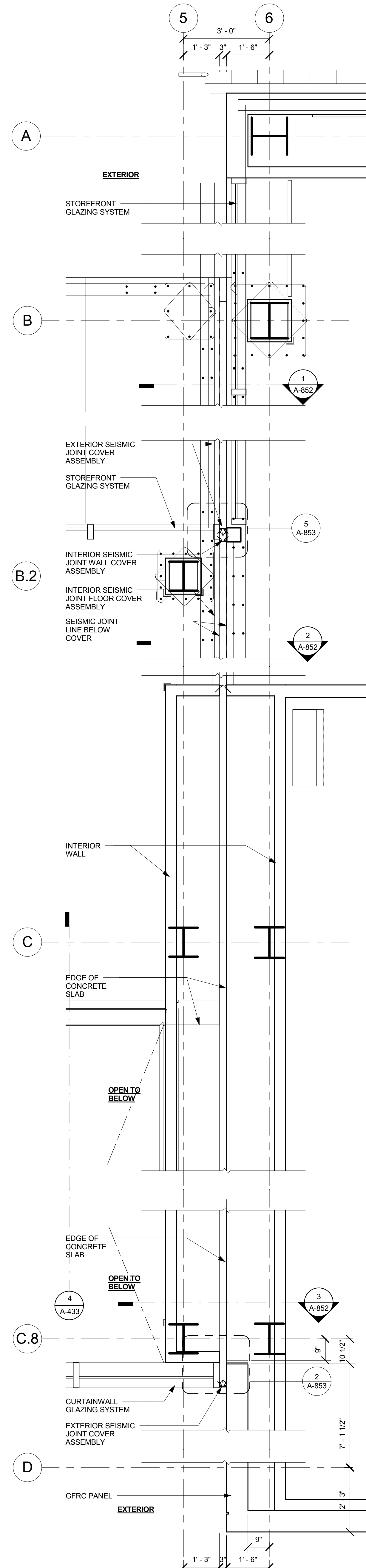
5 DIAGRAM @ B BTWN 5&6 IN LEVEL 3
1 1/2" = 1'-0"



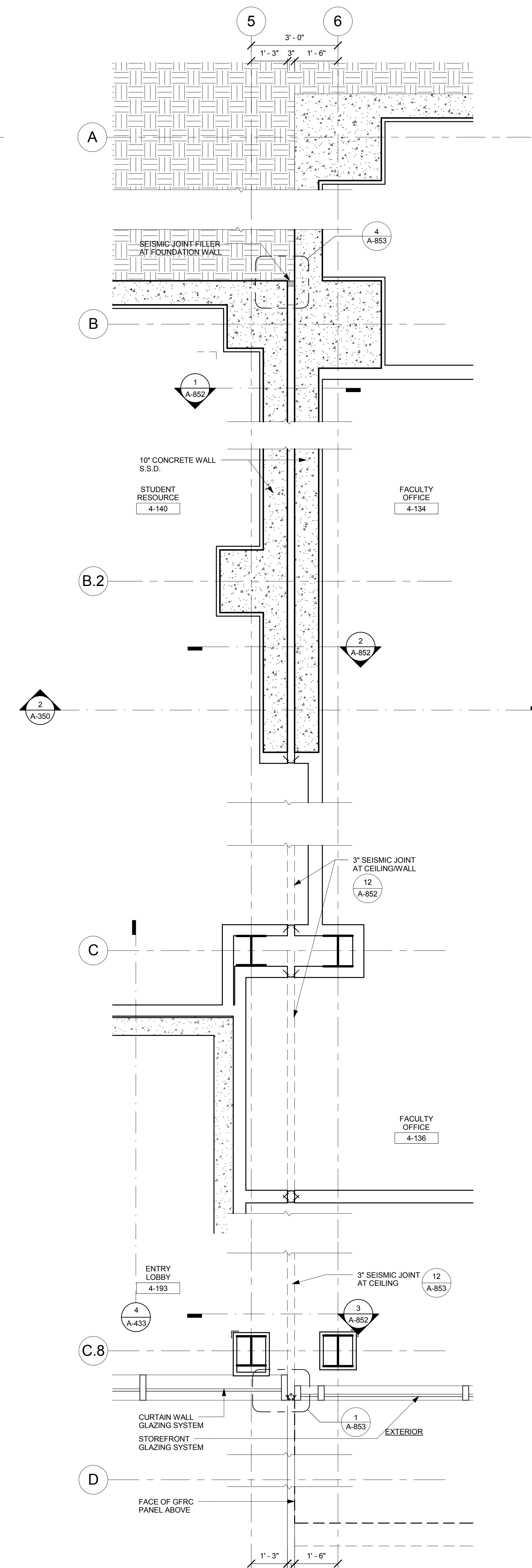
4 DIAGRAM @ B BTWN 5&6 IN LEVEL 2
1 1/2" = 1'-0"



3 SEISMIC JOINT AT LEVEL 3
1/2" = 1'-0"



2 SEISMIC JOINT AT LEVEL 2
1/2" = 1'-0"



1 SEISMIC JOINT AT LEVEL 1
1/2" = 1'-0"