

Rev	Date	Description	Author	Checked
1	12.02.10	PROGRESS		
2	12.02.10	REVISION #1		
3	12.02.10	REVISION #2		
4	12.02.10	REVISION #3		
5	12.02.10	REVISION #4		
6	12.02.10	REVISION #5		
7	12.02.10	REVISION #6		
8	12.02.10	REVISION #7		
9	12.02.10	REVISION #8		
10	12.02.10	REVISION #9		
11	12.02.10	REVISION #10		
12	12.02.10	REVISION #11		
13	12.02.10	REVISION #12		
14	12.02.10	REVISION #13		
15	12.02.10	REVISION #14		
16	12.02.10	REVISION #15		
17	12.02.10	REVISION #16		
18	12.02.10	REVISION #17		
19	12.02.10	REVISION #18		
20	12.02.10	REVISION #19		
21	12.02.10	REVISION #20		
22	12.02.10	REVISION #21		
23	12.02.10	REVISION #22		
24	12.02.10	REVISION #23		
25	12.02.10	REVISION #24		
26	12.02.10	REVISION #25		
27	12.02.10	REVISION #26		
28	12.02.10	REVISION #27		
29	12.02.10	REVISION #28		
30	12.02.10	REVISION #29		
31	12.02.10	REVISION #30		
32	12.02.10	REVISION #31		
33	12.02.10	REVISION #32		
34	12.02.10	REVISION #33		
35	12.02.10	REVISION #34		
36	12.02.10	REVISION #35		
37	12.02.10	REVISION #36		
38	12.02.10	REVISION #37		
39	12.02.10	REVISION #38		
40	12.02.10	REVISION #39		
41	12.02.10	REVISION #40		
42	12.02.10	REVISION #41		
43	12.02.10	REVISION #42		
44	12.02.10	REVISION #43		
45	12.02.10	REVISION #44		
46	12.02.10	REVISION #45		
47	12.02.10	REVISION #46		
48	12.02.10	REVISION #47		
49	12.02.10	REVISION #48		
50	12.02.10	REVISION #49		
51	12.02.10	REVISION #50		
52	12.02.10	REVISION #51		
53	12.02.10	REVISION #52		
54	12.02.10	REVISION #53		
55	12.02.10	REVISION #54		
56	12.02.10	REVISION #55		
57	12.02.10	REVISION #56		
58	12.02.10	REVISION #57		
59	12.02.10	REVISION #58		
60	12.02.10	REVISION #59		
61	12.02.10	REVISION #60		
62	12.02.10	REVISION #61		
63	12.02.10	REVISION #62		
64	12.02.10	REVISION #63		
65	12.02.10	REVISION #64		
66	12.02.10	REVISION #65		
67	12.02.10	REVISION #66		
68	12.02.10	REVISION #67		
69	12.02.10	REVISION #68		
70	12.02.10	REVISION #69		
71	12.02.10	REVISION #70		
72	12.02.10	REVISION #71		
73	12.02.10	REVISION #72		
74	12.02.10	REVISION #73		
75	12.02.10	REVISION #74		
76	12.02.10	REVISION #75		
77	12.02.10	REVISION #76		
78	12.02.10	REVISION #77		
79	12.02.10	REVISION #78		
80	12.02.10	REVISION #79		
81	12.02.10	REVISION #80		
82	12.02.10	REVISION #81		
83	12.02.10	REVISION #82		
84	12.02.10	REVISION #83		
85	12.02.10	REVISION #84		
86	12.02.10	REVISION #85		
87	12.02.10	REVISION #86		
88	12.02.10	REVISION #87		
89	12.02.10	REVISION #88		
90	12.02.10	REVISION #89		
91	12.02.10	REVISION #90		
92	12.02.10	REVISION #91		
93	12.02.10	REVISION #92		
94	12.02.10	REVISION #93		
95	12.02.10	REVISION #94		
96	12.02.10	REVISION #95		
97	12.02.10	REVISION #96		
98	12.02.10	REVISION #97		
99	12.02.10	REVISION #98		
100	12.02.10	REVISION #99		
101	12.02.10	REVISION #100		

RECORD DOCUMENT
 Date: 09.16.11

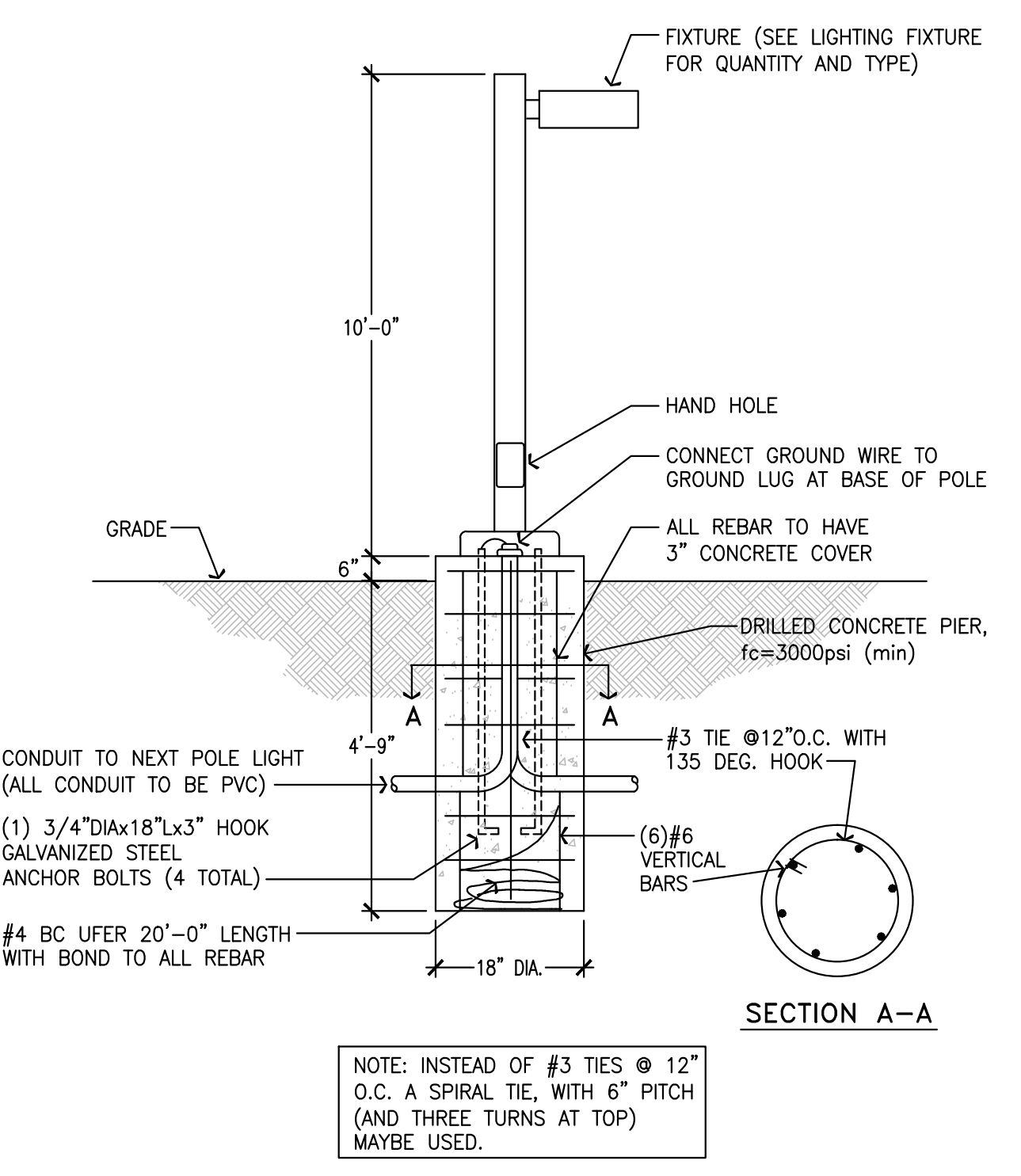
City of San Mateo
 County of San Mateo
 State of California

Prepared Under the Direction of:

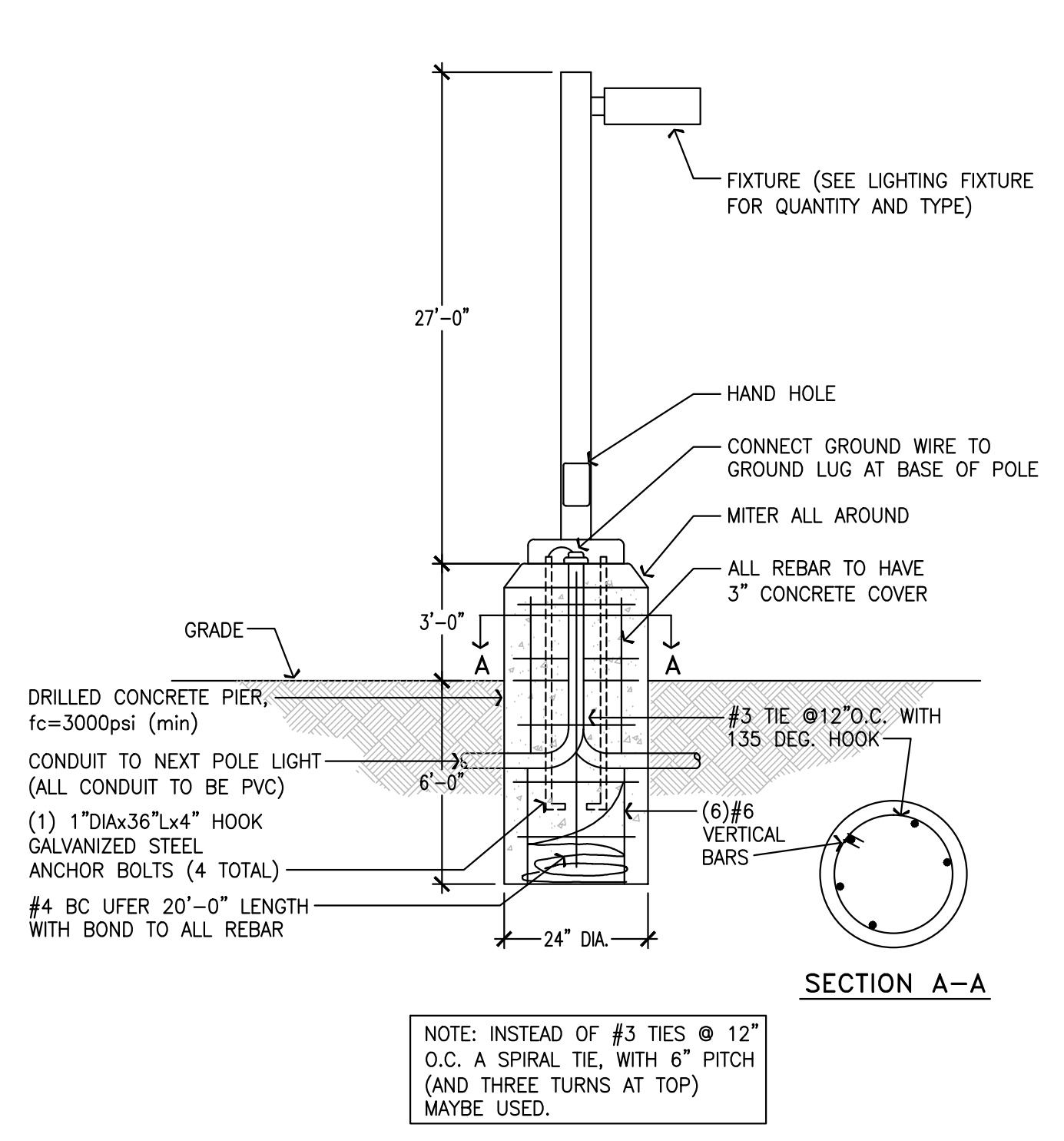
ELECTRICAL SCHEDULE/
 SITE PLAN/
 DETAIL

Sheet **E-1**

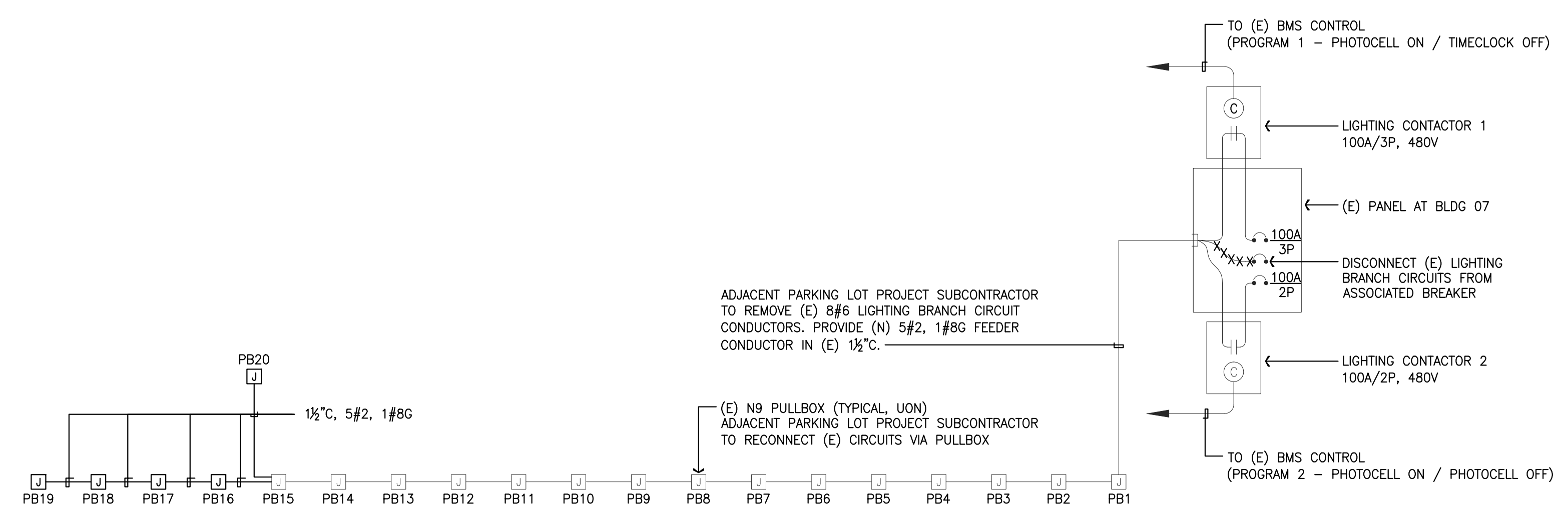
Scale: AS NOTED
 Date: 1-28-11
 File:
 Plan File:



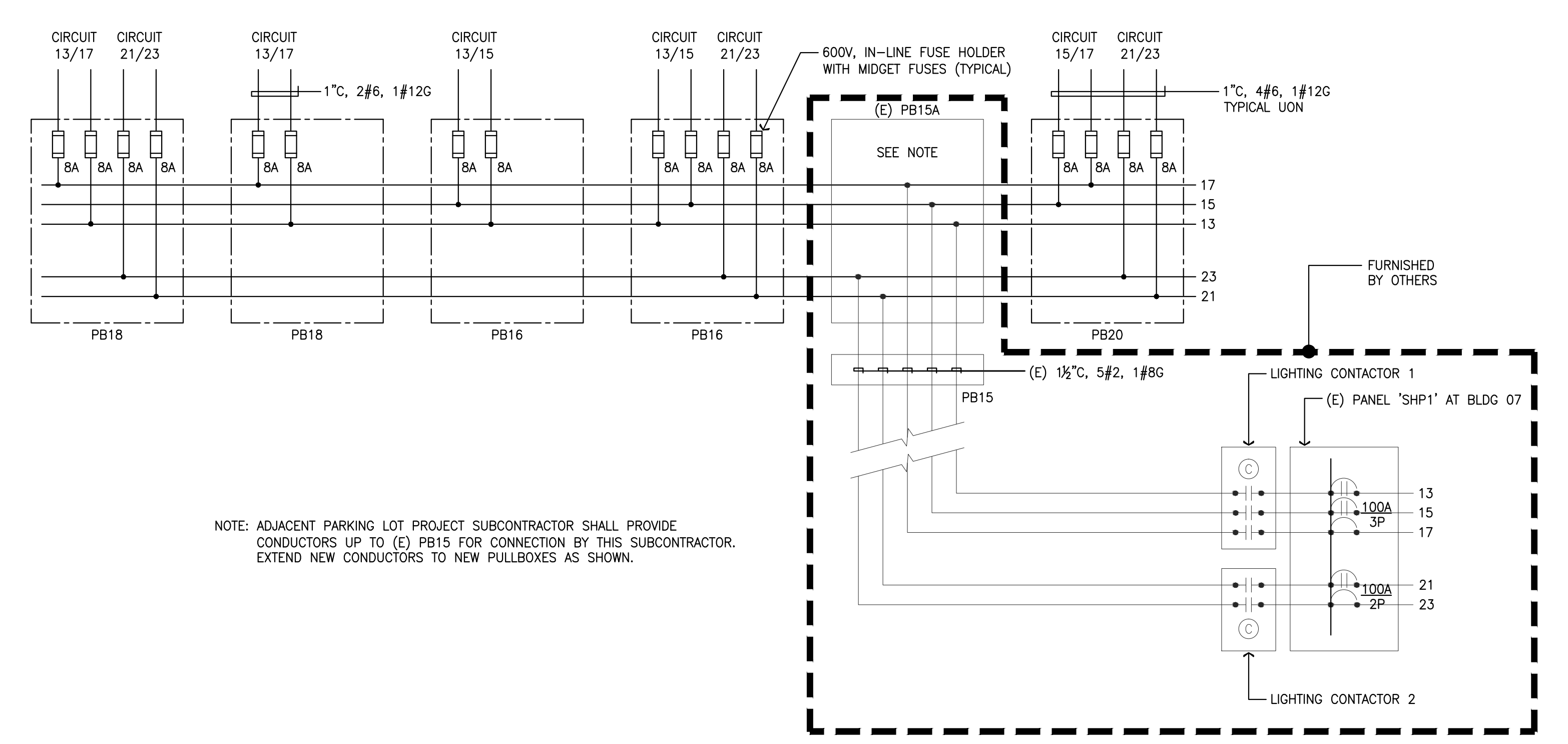
4 POLE FIXTURE MOUNTING DETAIL
 SCALE: NTS



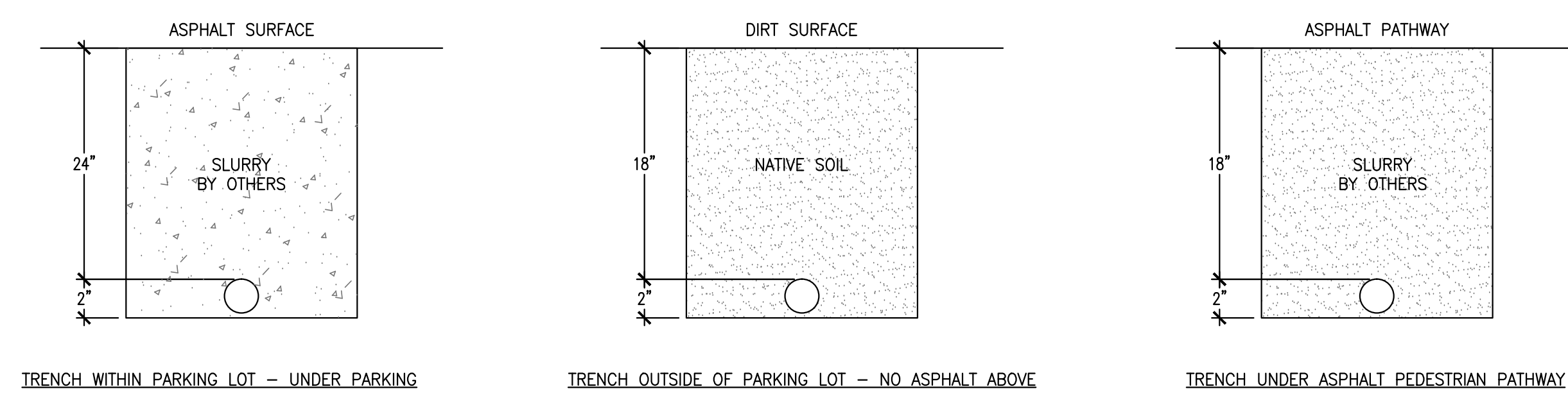
3 POLE FIXTURE MOUNTING DETAIL
 SCALE: NTS



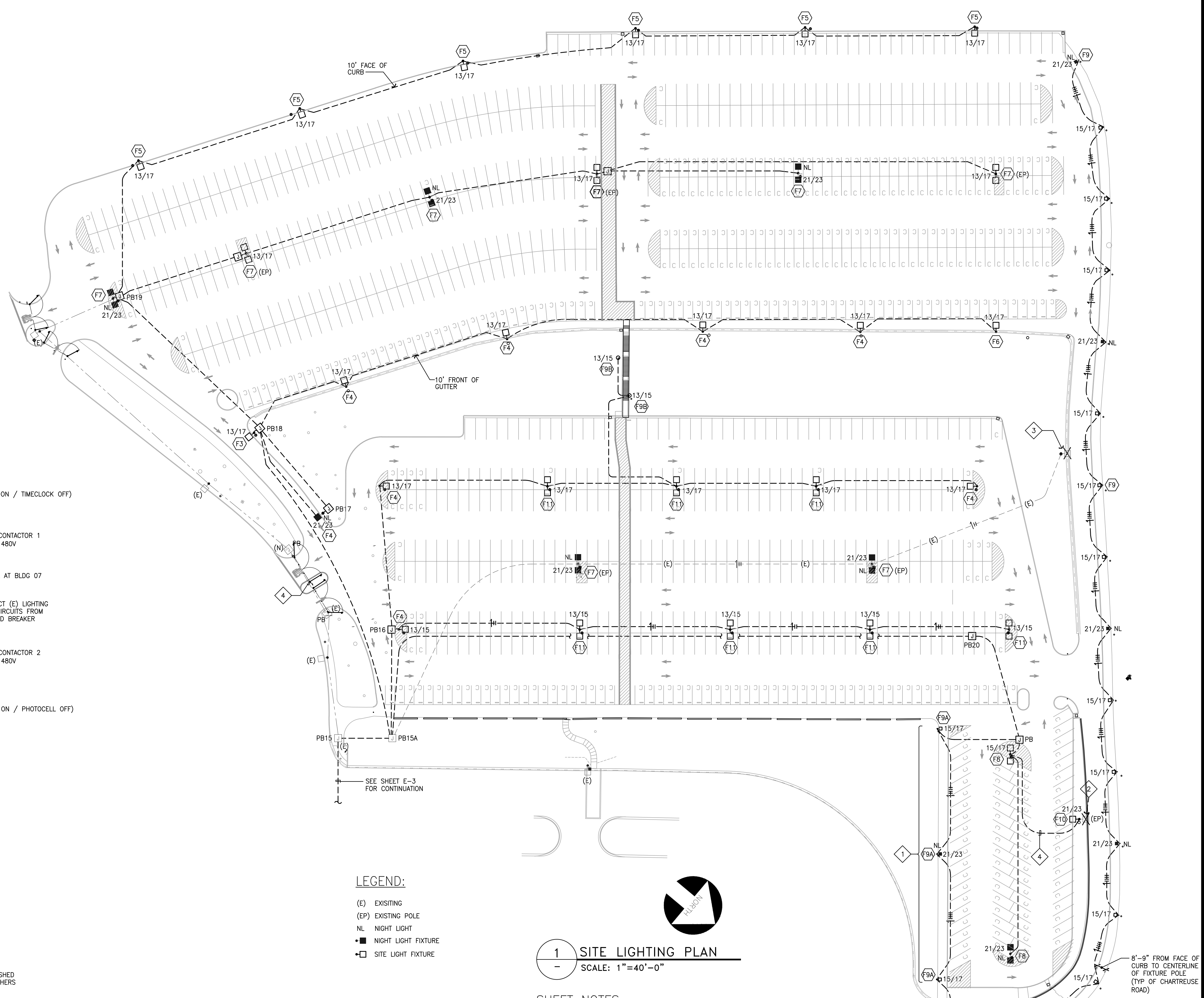
5 SINGLE LINE DIAGRAM
 SCALE: NTS



6 LIGHTING CONTROL DIAGRAM
 SCALE: NTS



7 TRENCHING DETAILS
 SCALE: NTS



1 SITE LIGHTING PLAN
 SCALE: 1"=40'-0"

- LEGEND:**
- (E) EXISTING
 - (EP) EXISTING POLE
 - NL NIGHT LIGHT
 - NIGHT LIGHT FIXTURE
 - SITE LIGHT FIXTURE

- SHEET NOTES:**
- 1 REMOVE EXISTING TEMPORARY CONSTRUCTION LIGHTING.
 - 2 REMOVE EXISTING FIXTURE HEAD, EXISTING POLE TO REMAIN.
 - 3 REMOVE EXISTING FIXTURE HEAD AND LIGHT POLE, CONCRETE POLE BASE TO REMAIN.
 - 4 REPAIRED DAMAGED UNDERGROUND CONDUIT AND WIRING.

TYPE	SYMBOL	CATALOG #	DESCRIPTION	QTY	LAMP DESCRIPTION	WATTS	FIXTURE VOLTAGE
F3	BETA LED STR-LWY-QM-12-C-UH-XX		TYPE II LED PARKING AREA FIXTURE - 27' POLE	120	LED	234	480
F4	BETA LED STR-LWY-3M-12-C-UH-XX		TYPE III LED PARKING AREA FIXTURE - 27' POLE	120	LED	234	480
F5	BETA LED STR-LWY-3MB-12-C-UH-XX		TYPE III WITH BACKLIGHT CONTROL LED PARKING AREA FIXTURE - 27' POLE	120	LED	234	480
F6	BETA LED STR-LWY-4M-12-C-UH-XX		TYPE IV LED PARKING AREA FIXTURE - 27' POLE	120	LED	234	480
F7	BETA LED STR-LWY-5M-12-C-UH-XX		TYPE V LED PARKING AREA FIXTURE - 27' POLE	120	LED	468	480
F8	BETA LED STR-LWY-5S-12-C-UH-XX		TYPE V SHORT LED PARKING AREA FIXTURE - 27' POLE	120	LED	468	480
F9	BETA LED ARE-EDG-3MB-04-C-UH-XX		TYPE III LED PARKING AREA FIXTURE - 10' POLE	40	LED	75	480
F9A	BETA LED ARE-EDG-4M-04-C-UH-XX		TYPE IV LED PARKING AREA FIXTURE - 10' POLE	40	LED	75	480
F9B	BETA LED ARE-EDG-3M-04-C-UH-XX		TYPE III LED PARKING AREA FIXTURE - 10' POLE	40	LED	75	480
F10	BETA LED STR-LWY-4MB-12-C-UH-XX		TYPE IV LED PARKING AREA FIXTURE - 27' POLE	60	LED	119	480
F11	BETA LED STR-LWY-5S-06-C-UH-XX		TYPE V LED PARKING AREA FIXTURE - 27' POLE	90	LED	348	480

2 LIGHTING FIXTURE SCHEDULE
 SCALE: NTS



CUPERTINO ELECTRIC

1740 CESAR CHAVEZ ST.
SAN FRANCISCO, CA
(415)970-3400
C-10 LIC. NO. 174637

Rev.	Date	Description	Designed	Drawn	Checked
1	12.28.10	PROGRESS			
2	12.22.10	REVISION #1			
3	12.22.10	REVISION #2			
4	12.22.10	REVISION #3			
5	12.22.10	REVISION #4			
6	12.22.10	REVISION #5			
7	12.22.10	REVISION #6			
8	12.22.10	REVISION #7			
9	12.22.10	REVISION #8			
10	12.22.10	REVISION #9			
11	12.22.10	REVISION #10			
12	12.22.10	REVISION #11			
13	12.22.10	REVISION #12			
14	12.22.10	REVISION #13			
15	12.22.10	REVISION #14			
16	12.22.10	REVISION #15			
17	12.22.10	REVISION #16			
18	12.22.10	REVISION #17			
19	12.22.10	REVISION #18			
20	12.22.10	REVISION #19			
21	12.22.10	REVISION #20			
22	12.22.10	REVISION #21			
23	12.22.10	REVISION #22			
24	12.22.10	REVISION #23			
25	12.22.10	REVISION #24			
26	12.22.10	REVISION #25			
27	12.22.10	REVISION #26			
28	12.22.10	REVISION #27			
29	12.22.10	REVISION #28			
30	12.22.10	REVISION #29			
31	12.22.10	REVISION #30			
32	12.22.10	REVISION #31			
33	12.22.10	REVISION #32			
34	12.22.10	REVISION #33			
35	12.22.10	REVISION #34			
36	12.22.10	REVISION #35			
37	12.22.10	REVISION #36			
38	12.22.10	REVISION #37			
39	12.22.10	REVISION #38			
40	12.22.10	REVISION #39			
41	12.22.10	REVISION #40			
42	12.22.10	REVISION #41			
43	12.22.10	REVISION #42			
44	12.22.10	REVISION #43			
45	12.22.10	REVISION #44			
46	12.22.10	REVISION #45			
47	12.22.10	REVISION #46			
48	12.22.10	REVISION #47			
49	12.22.10	REVISION #48			
50	12.22.10	REVISION #49			
51	12.22.10	REVISION #50			
52	12.22.10	REVISION #51			
53	12.22.10	REVISION #52			
54	12.22.10	REVISION #53			
55	12.22.10	REVISION #54			
56	12.22.10	REVISION #55			
57	12.22.10	REVISION #56			
58	12.22.10	REVISION #57			
59	12.22.10	REVISION #58			
60	12.22.10	REVISION #59			
61	12.22.10	REVISION #60			
62	12.22.10	REVISION #61			
63	12.22.10	REVISION #62			
64	12.22.10	REVISION #63			
65	12.22.10	REVISION #64			
66	12.22.10	REVISION #65			
67	12.22.10	REVISION #66			
68	12.22.10	REVISION #67			
69	12.22.10	REVISION #68			
70	12.22.10	REVISION #69			
71	12.22.10	REVISION #70			
72	12.22.10	REVISION #71			
73	12.22.10	REVISION #72			
74	12.22.10	REVISION #73			
75	12.22.10	REVISION #74			
76	12.22.10	REVISION #75			
77	12.22.10	REVISION #76			
78	12.22.10	REVISION #77			
79	12.22.10	REVISION #78			
80	12.22.10	REVISION #79			
81	12.22.10	REVISION #80			
82	12.22.10	REVISION #81			
83	12.22.10	REVISION #82			
84	12.22.10	REVISION #83			
85	12.22.10	REVISION #84			
86	12.22.10	REVISION #85			
87	12.22.10	REVISION #86			
88	12.22.10	REVISION #87			
89	12.22.10	REVISION #88			
90	12.22.10	REVISION #89			
91	12.22.10	REVISION #90			
92	12.22.10	REVISION #91			
93	12.22.10	REVISION #92			
94	12.22.10	REVISION #93			
95	12.22.10	REVISION #94			
96	12.22.10	REVISION #95			
97	12.22.10	REVISION #96			
98	12.22.10	REVISION #97			
99	12.22.10	REVISION #98			
100	12.22.10	REVISION #99			
101	12.22.10	REVISION #100			

COLLEGE OF SAN MATEO HILLSDALE PARKING LOT RENOVATIONS
SAN MATEO COMMUNITY COLLEGE DISTRICT

RECORD DOCUMENT
Date: 09.16.11

City Of
San Mateo
County Of
San Mateo
State Of
California

Prepared Under the Direction of:

ELECTRICAL
SITE PLAN

Sheet
E-3

Scale: AS NOTED
Date: 1-28-11
File:
Plan File:

