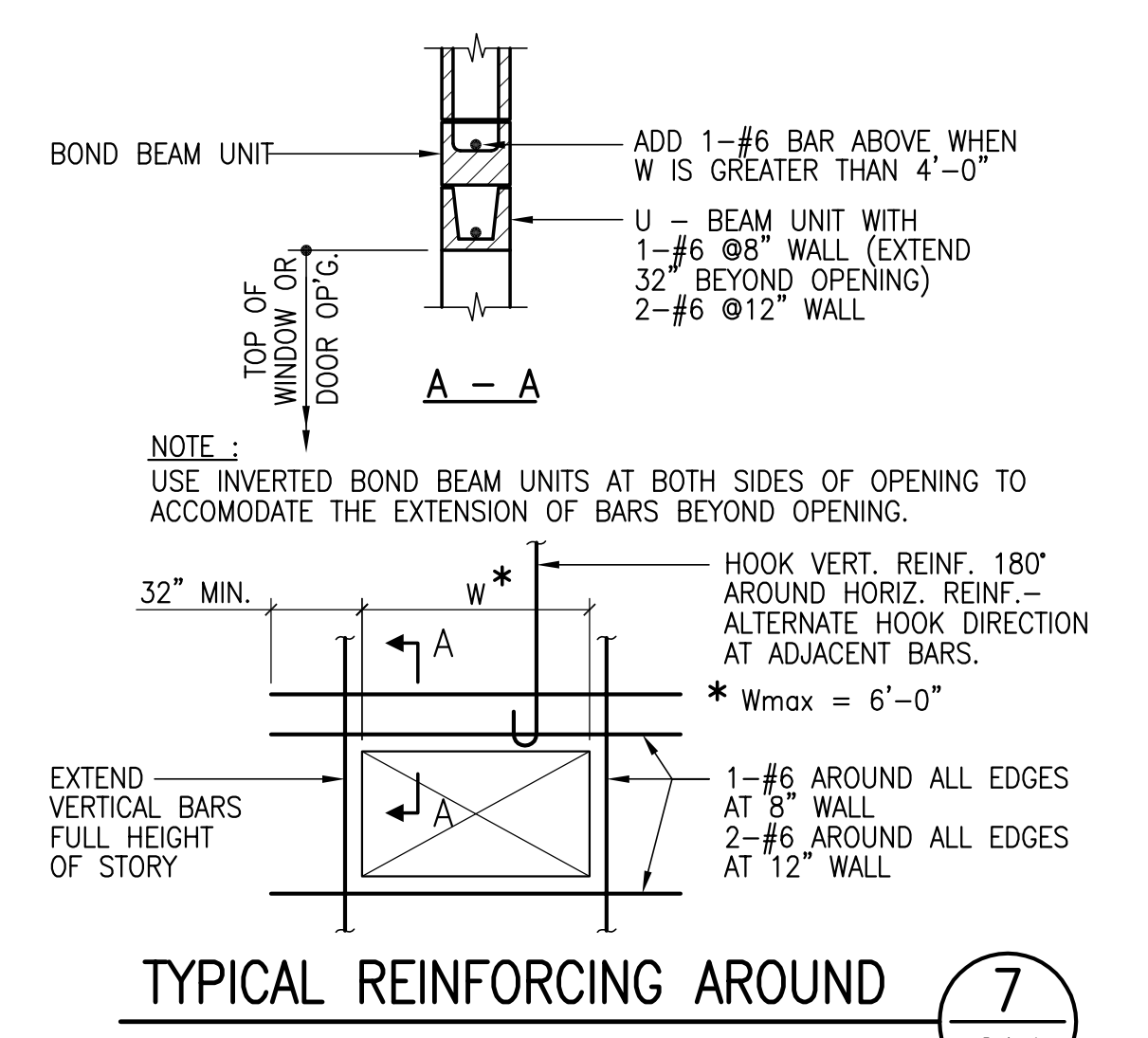
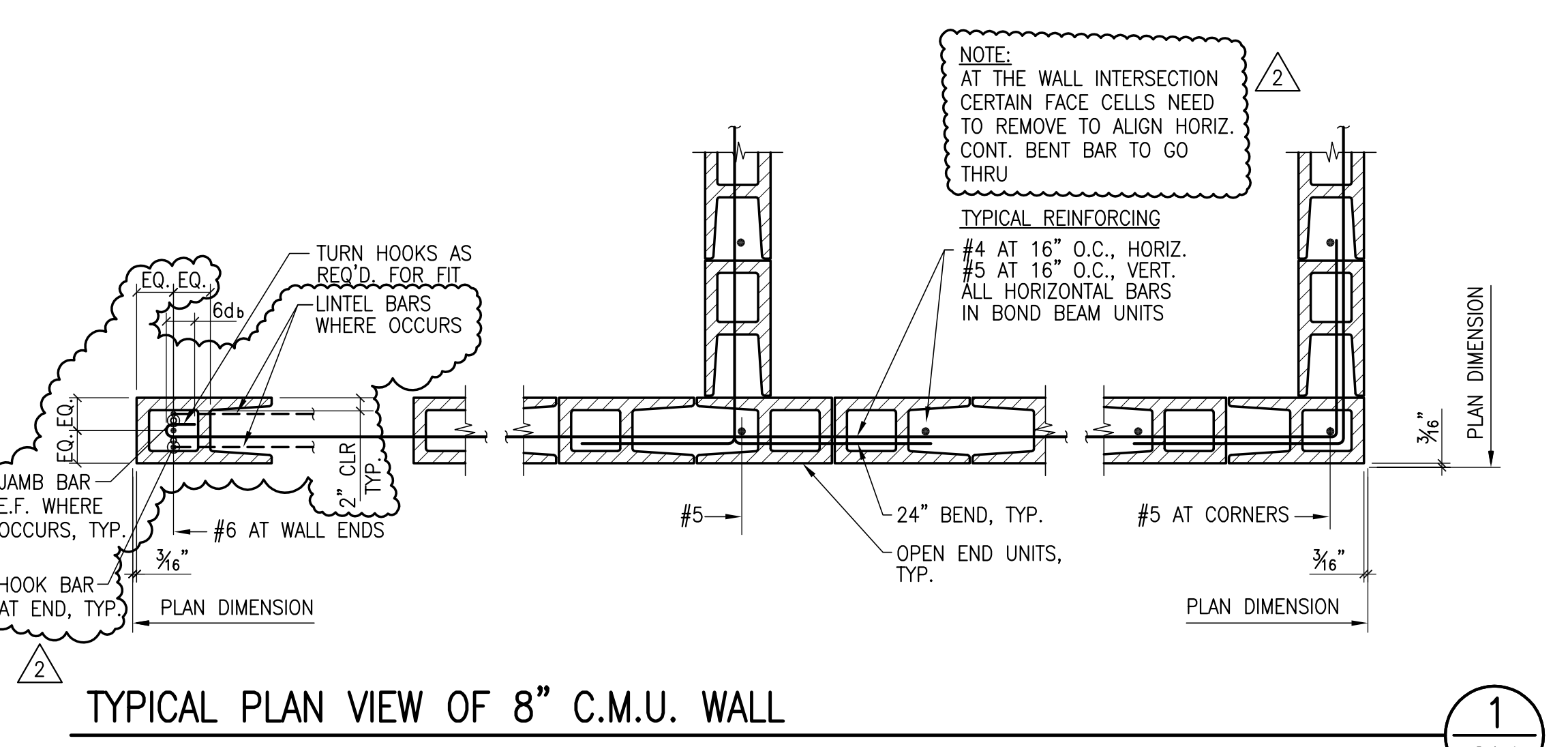


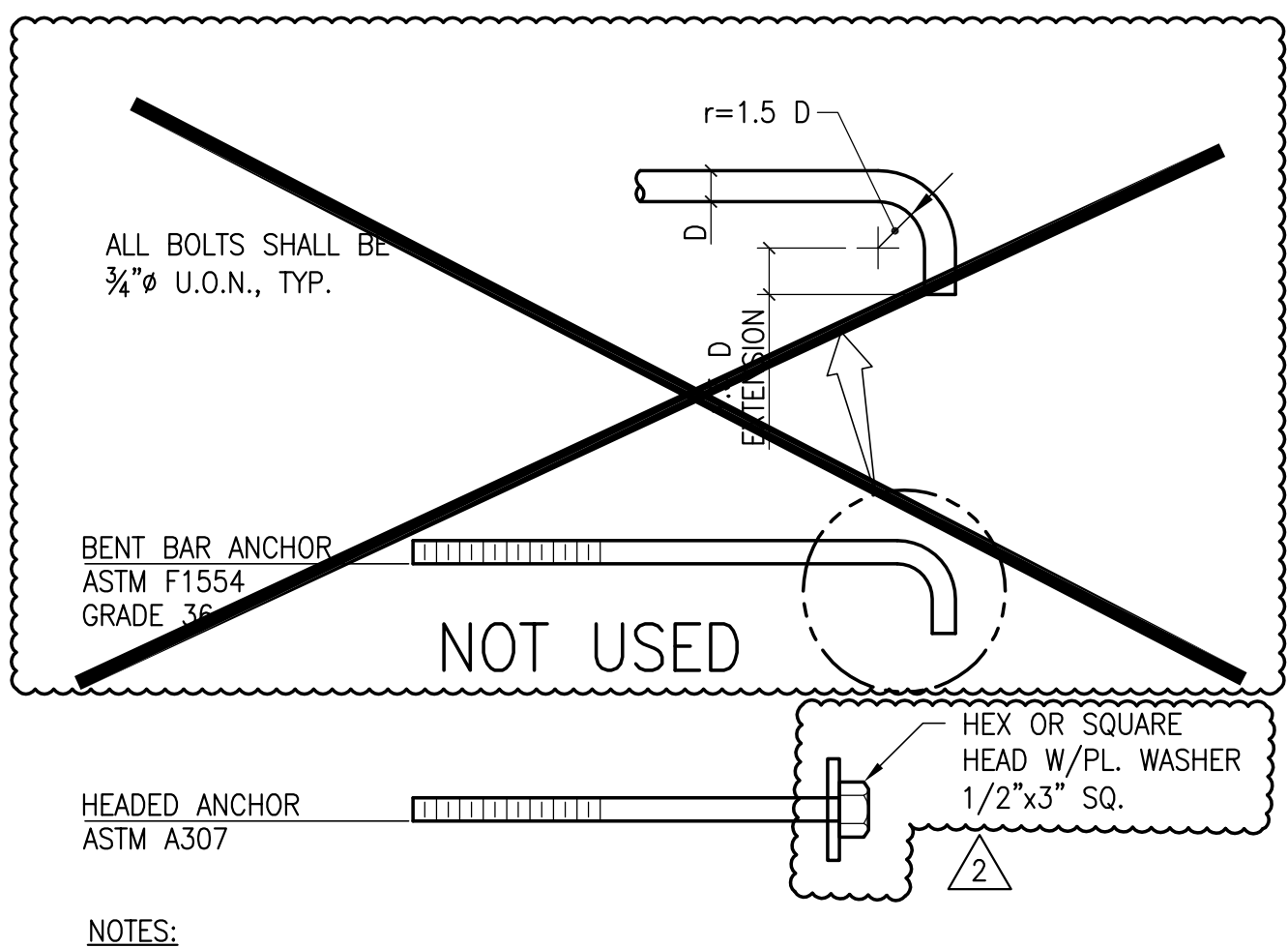
TYPICAL W BEAM TO C.M.U. WALL CONNECTION **10** S4.1



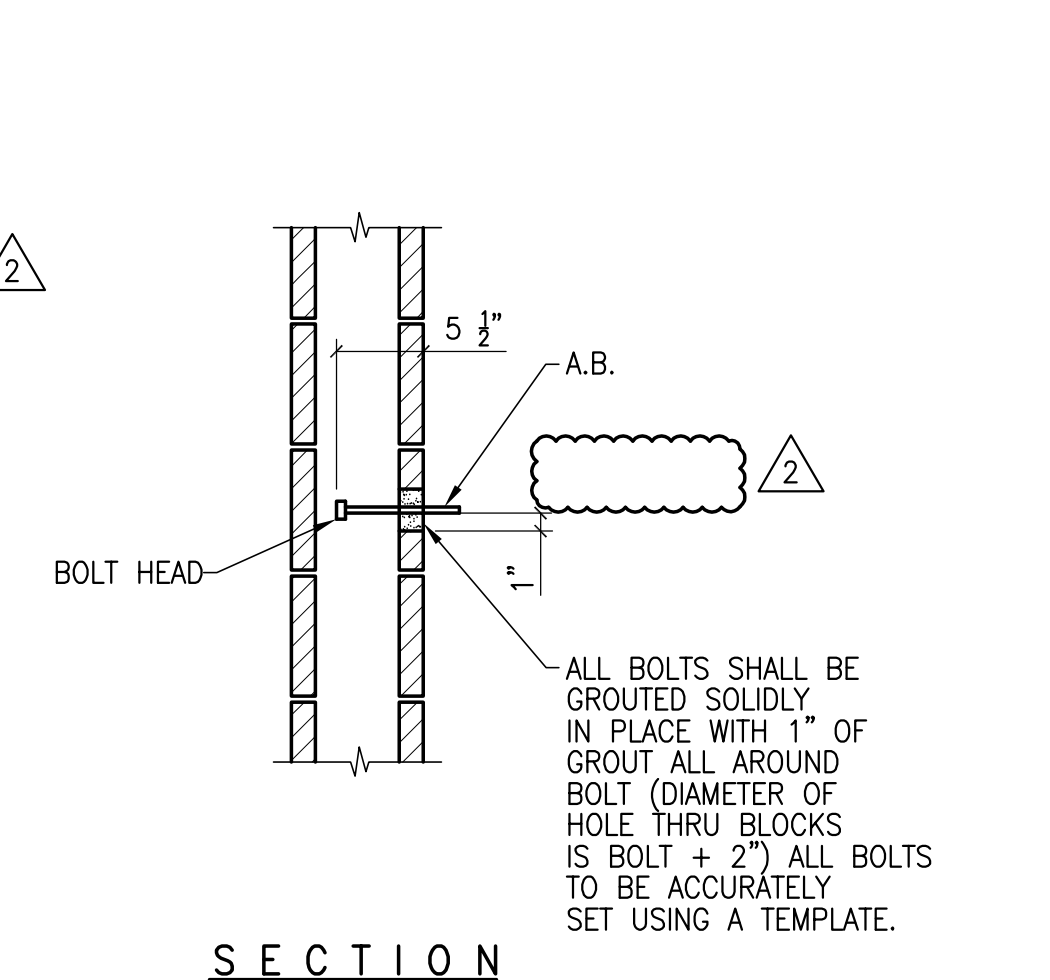
TYPICAL REINFORCING AROUND OPENING IN C.M.U. WALL **7** S4.1



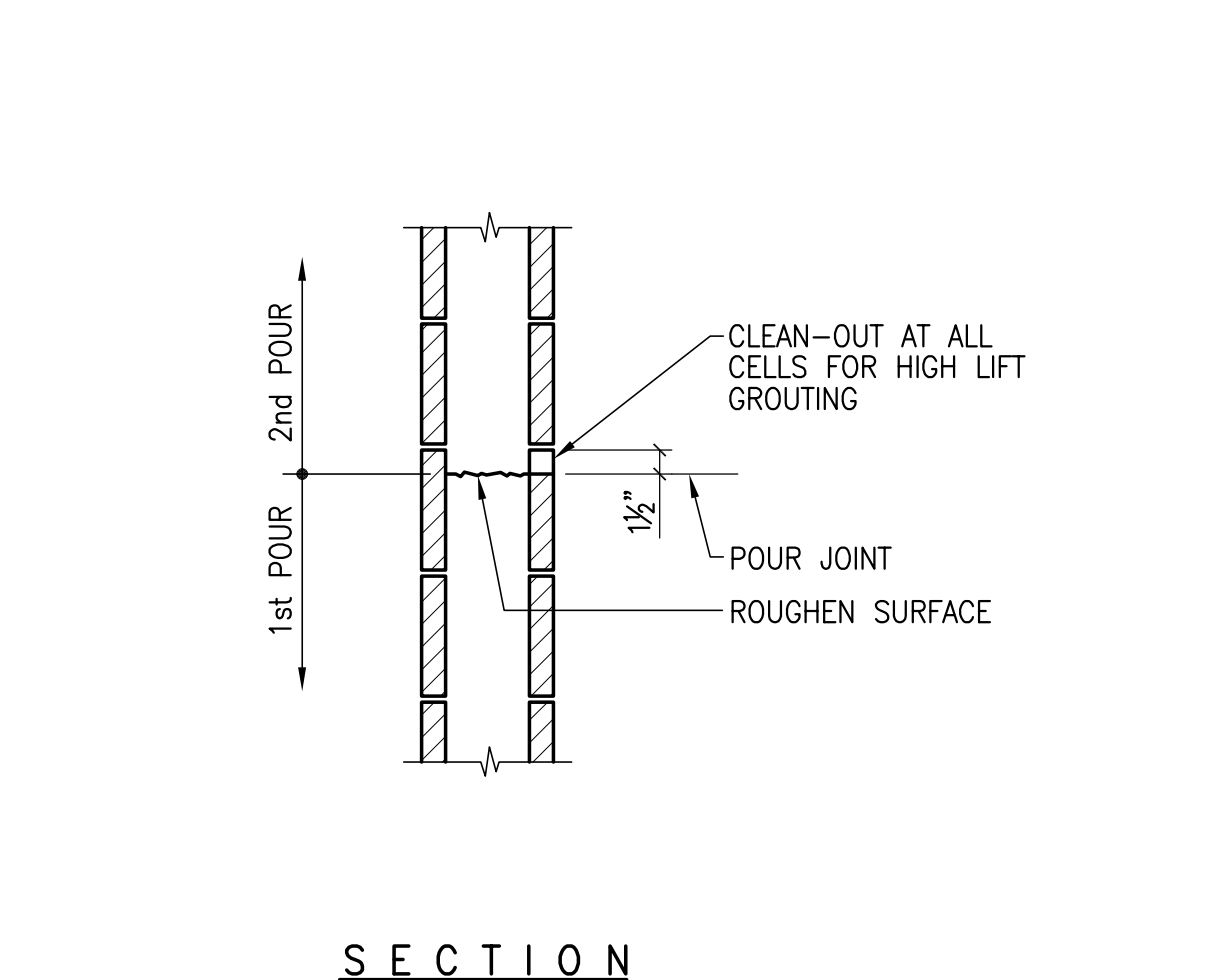
TYPICAL PLAN VIEW OF 8" C.M.U. WALL **1** S4.1



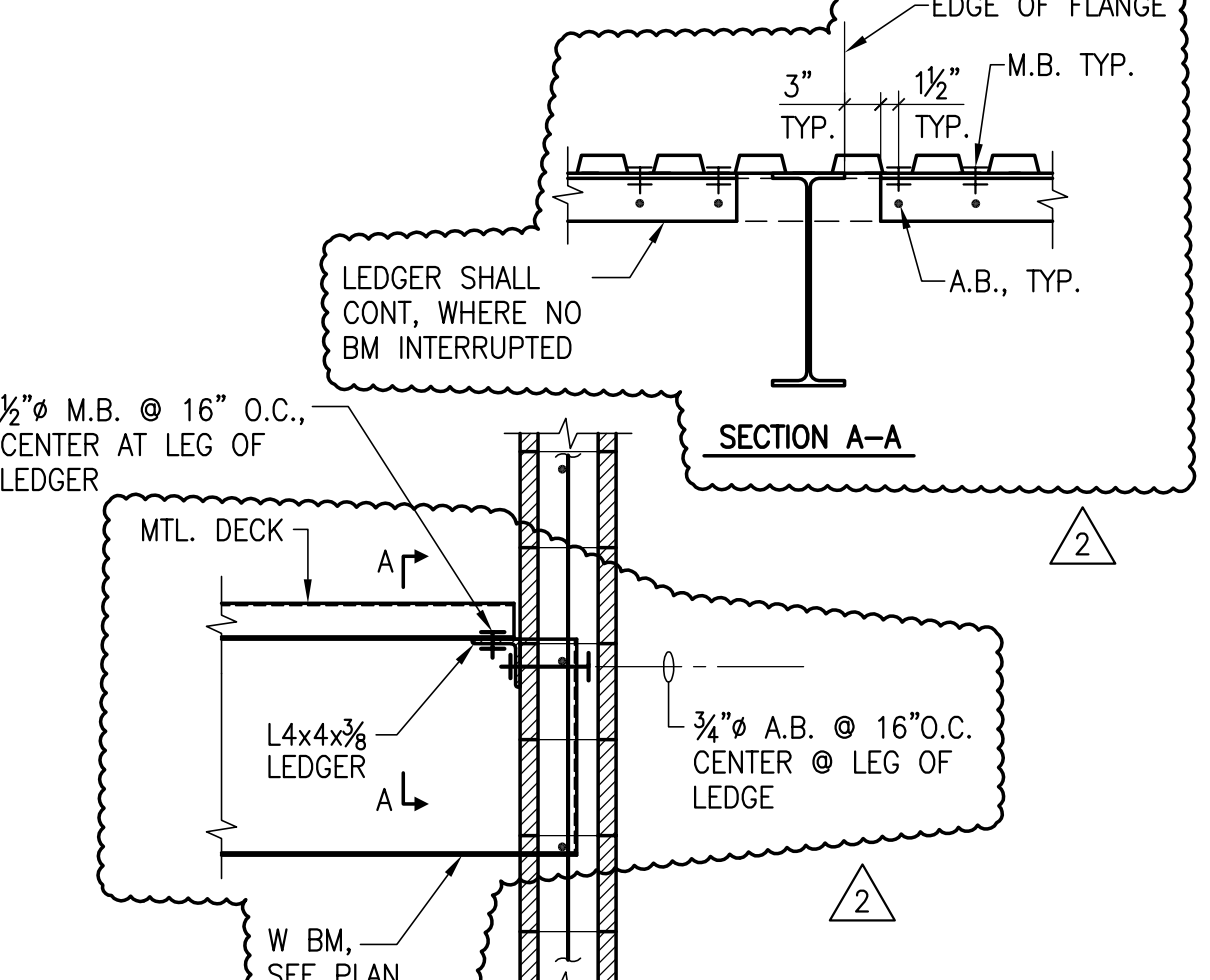
TYP. ANCHOR BOLTS **14** S4.1



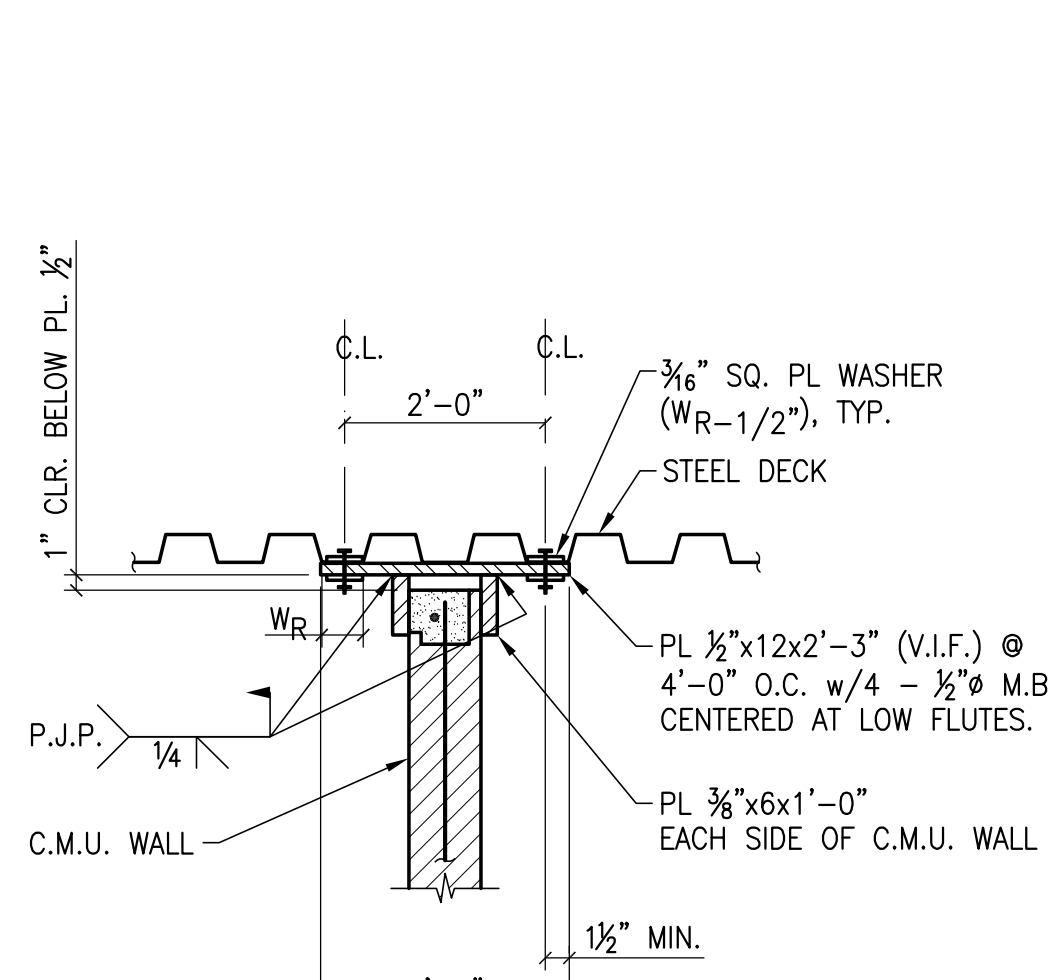
TYP. BOLT IN C.M.U. WALL **11** S4.1



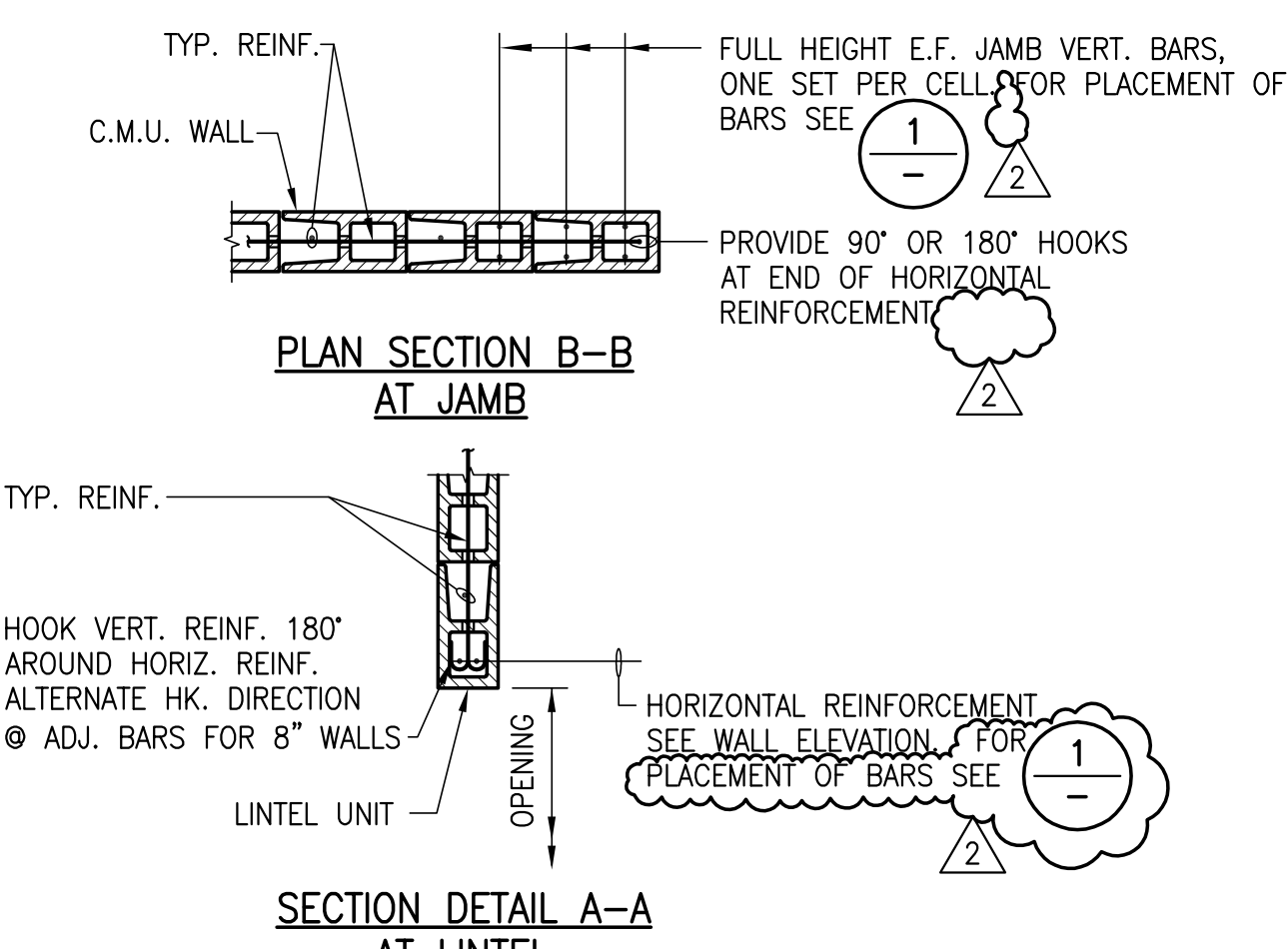
TYP. HORIZONTAL CONSTRUCTION JOINT IN C.M.U. WALL **8** S4.1



LEDGER AT LOAD-BEARING C.M.U. WALL **5** S4.1

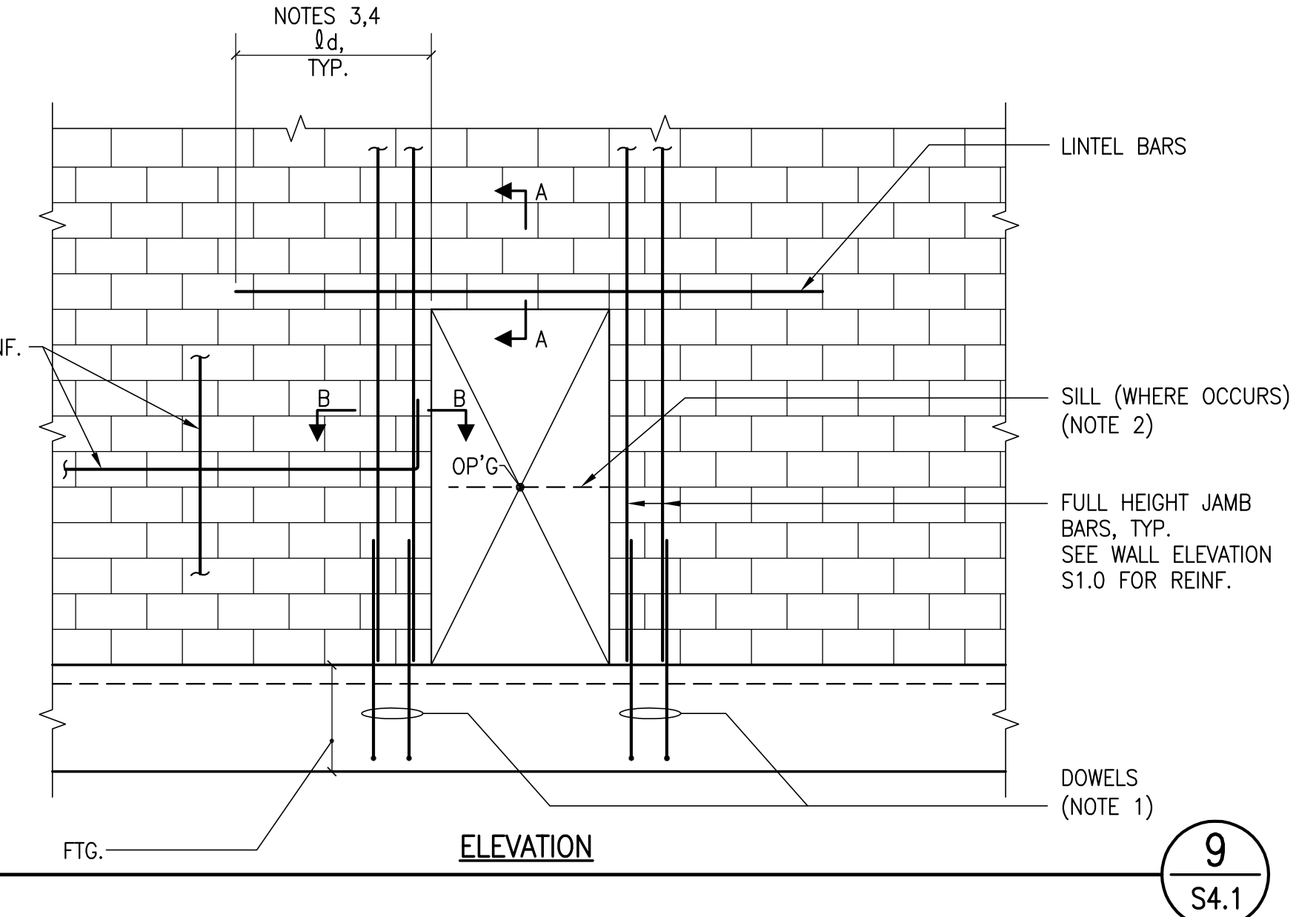


8" C.M.U. NON-LOAD BEARING WALL UNDER METAL DECK **2** S4.1

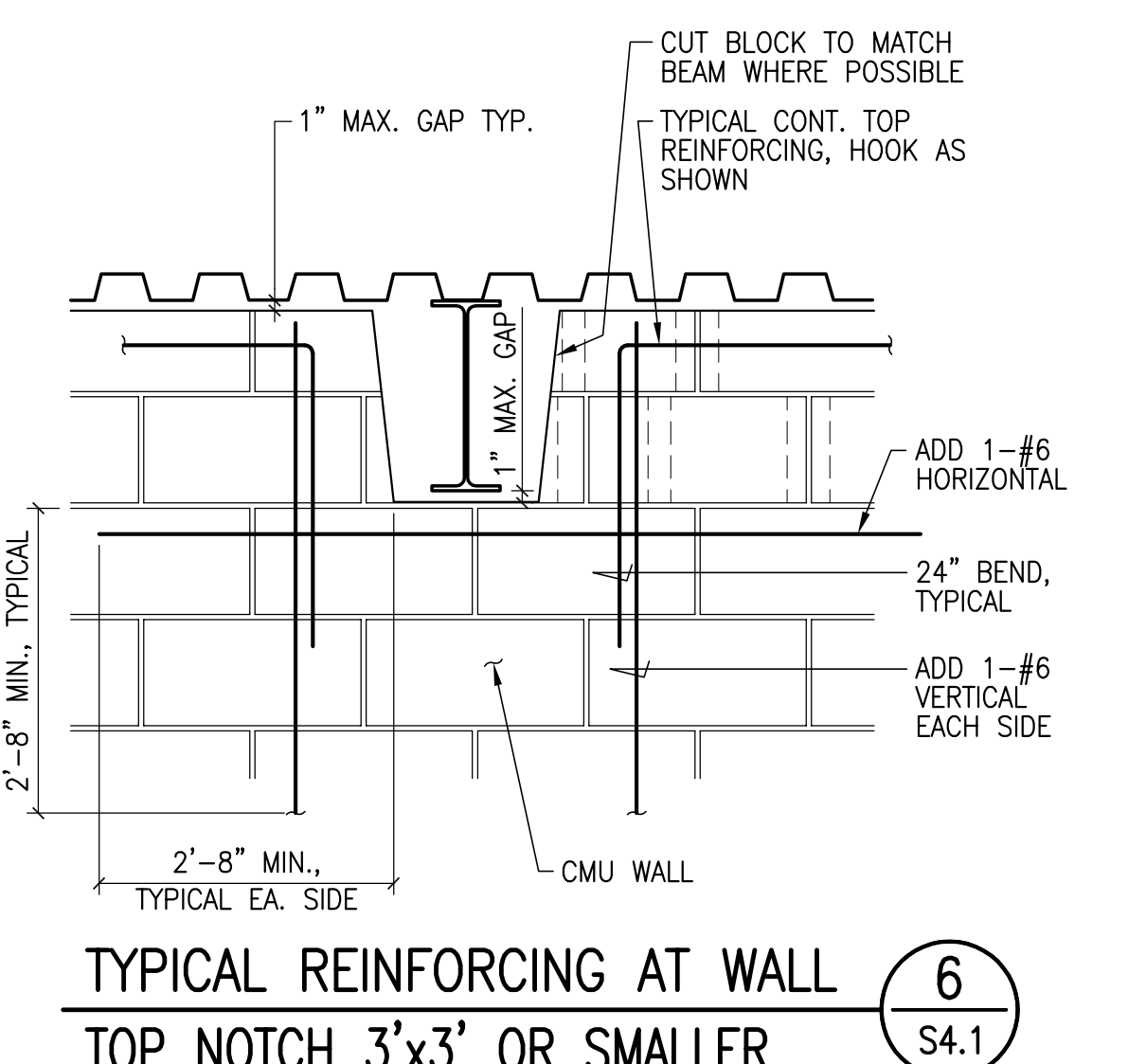


TYP. C.M.U. WALL OPENING REINFORCEMENT **1** S4.1

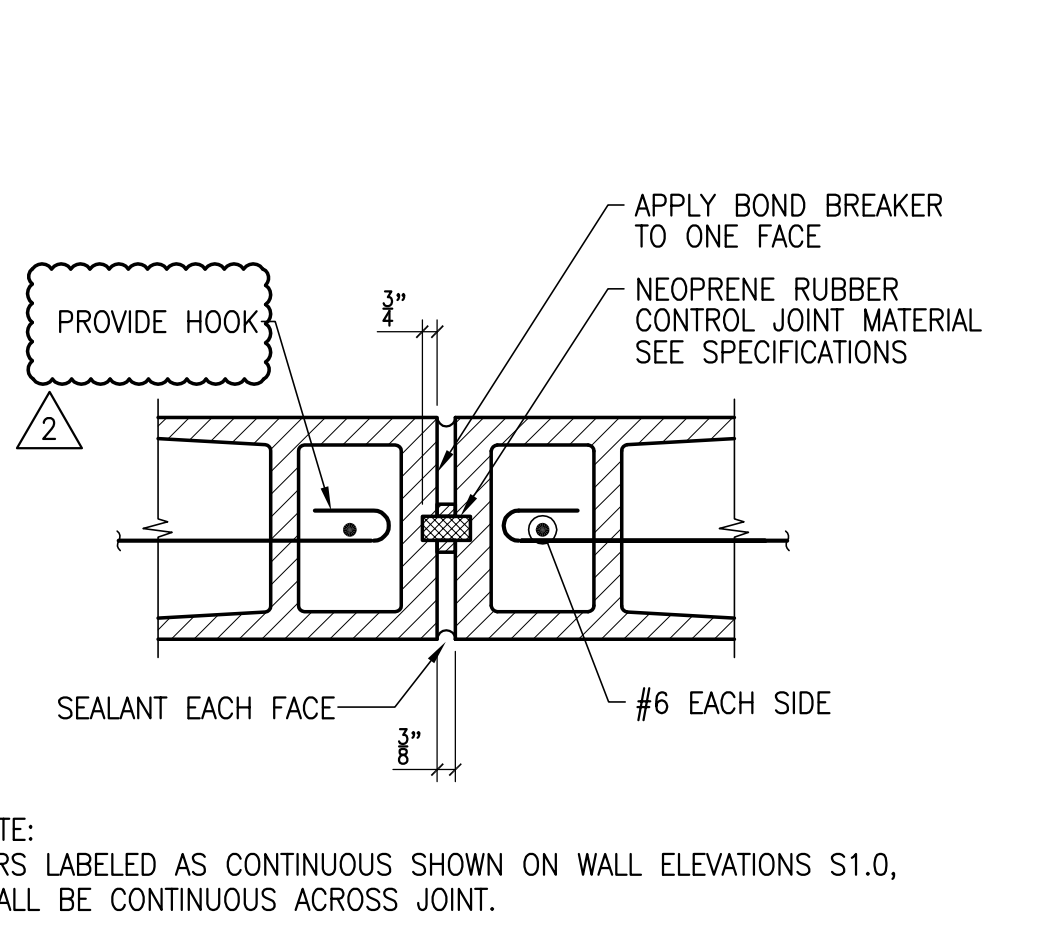
NOTES:
 1. PROVIDE MATCHING DOWEL FOR EACH E.F. JAMB BAR.
 2. WHERE SILL OCCURS, PROVIDE REINF. TO MATCH LINTEL.
 3. PROVIDE CONTINUOUS LINTEL REINF. BETWEEN OPENINGS SPACED LESS THAN 8'-0" APART.
 4. WHERE OPENINGS OCCUR NEAR CORNERS, PROVIDE 90° HOOK AND 48 BAR DIA. EXTENSION OF LINTEL BARS INTO PERPENDICULAR WALL.



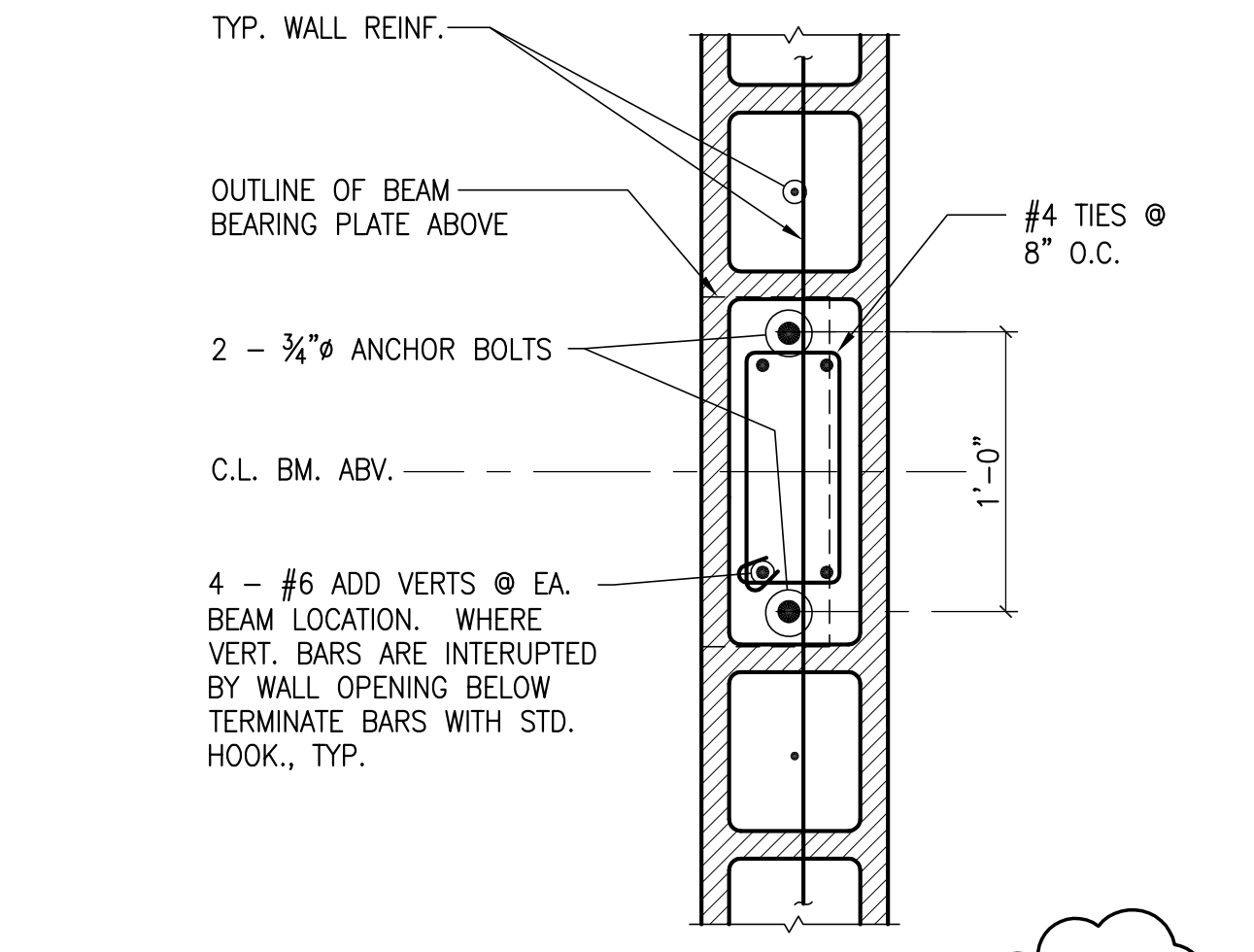
ELEVATION **9** S4.1



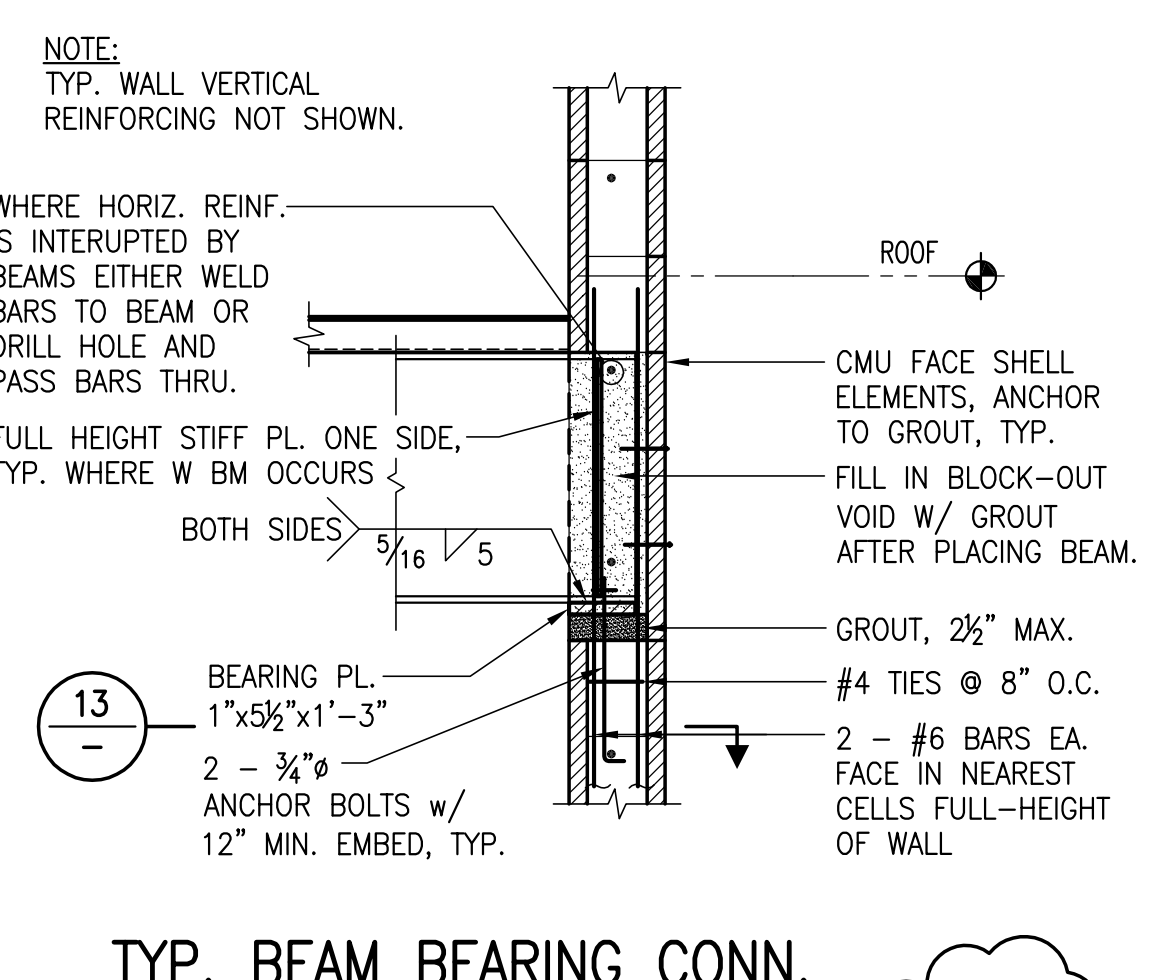
TYPICAL REINFORCING AT WALL TOP NOTCH 3'x3' OR SMALLER **6** S4.1



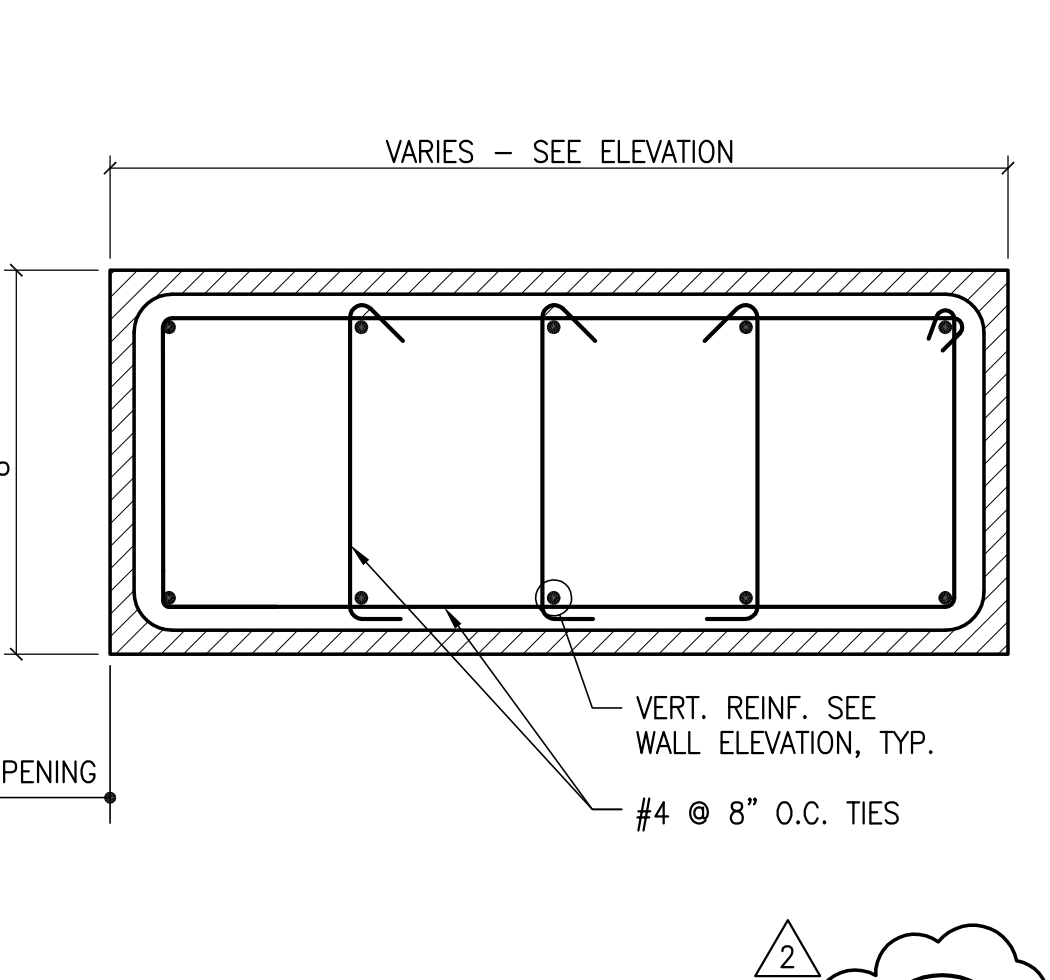
TYPICAL C.M.U. WALL CONTROL JOINT AT 8" WALL **3** S4.1



PILASTER DETAIL **13** S4.1



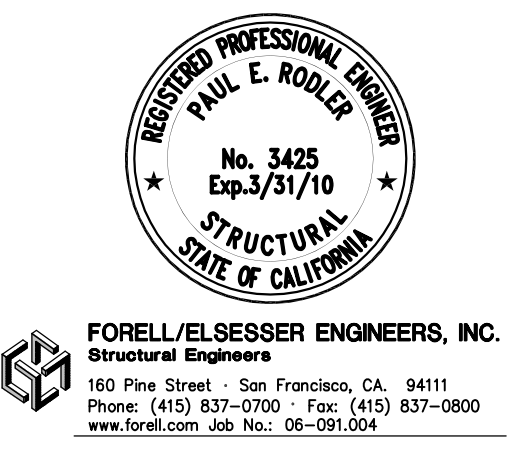
TYP. BEAM BEARING CONN. AT C.M.U. WALL **12** S4.1



SECTION **4** S4.1



McCarthy Building Companies, Inc.
 343 Sansome Street, 14th Floor
 San Francisco, California 94104
 P 415 364-1339
 F 415 397-5999



FORELL/EISENER ENGINEERS, INC.
 Structural Engineers
 140 Pine Street, San Francisco, CA 94111
 Phone: (415) 397-2700, Fax: (415) 397-0800
 www.forell.com, Job No. 06-091-004

IDENTIFICATION STAMP
 DIV. OF THE STATE ARCHITECT
 OFFICE OF REGULATION SERVICE
 APPL. # 01-110097
 AC: FLS SS
 DATE: FILE NUMBER:

This and all other project documents and all sheets, calculations and design incorporated herein are the property of UEL, Inc. (UEL) and shall be used only for the project and site for which they were prepared. No part of this project documents shall be reproduced or transmitted in any form or by any means electronic or mechanical, including photocopying, recording, or by any information storage and retrieval system, without the prior written permission of UEL and UEL's Consultants. UEL and UEL's Consultants make no representation concerning the accuracy of documents and are not responsible for any discrepancy between project documents and the existing conditions.

© Copyright 2008

College of San Mateo
 Site Package
 San Mateo, CA

Developed for
 San Mateo County Community College District

Revision	Description	Date
001	ISSUED FOR PRICING SET	09/15/09
002	ISSUED FOR RECORD SET	09/15/09
003	PROJECT RECORD DRAWING	JUNE 2011

Revision	Description	Date
001	ISSUED FOR PRICING SET	09/15/09
002	ISSUED FOR RECORD SET	09/15/09
003	PROJECT RECORD DRAWING	JUNE 2011

Job No.	27082.30
Date	09 APRIL 2009
Drawn by	MC
Checked by	PR
Scale	AS NOTED
POOL BUILDING TYPICAL C.M.U. DETAILS	

S4.1