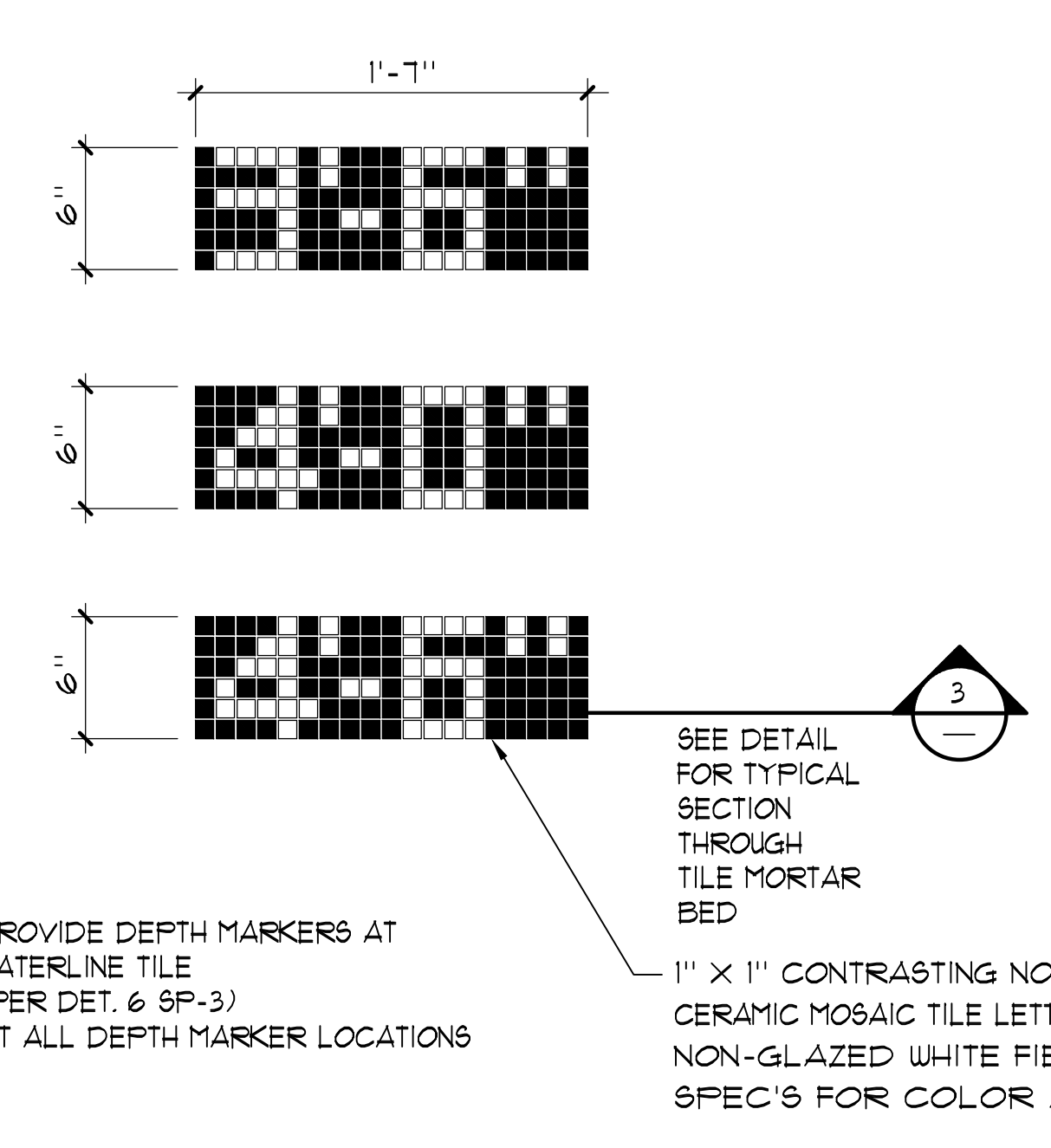


1 GRABRAIL WITH STEPS 1'-1-0"

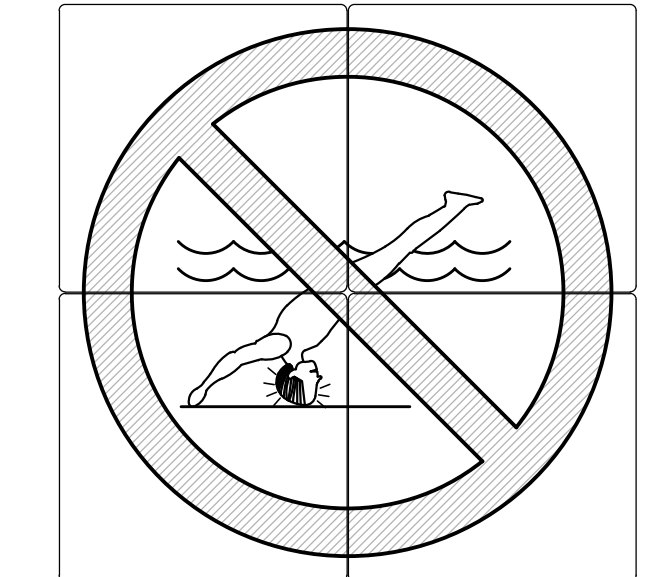


PROVIDE DEPTH MARKERS AT WATERLINE TILE (PER DET. & SP-3) AT ALL DEPTH MARKER LOCATIONS

SEE DETAIL FOR TYPICAL SECTION THROUGH TILE MORTAR BED

1" X 1" CONTRASTING NON-GLAZED CERAMIC MOSAIC TILE LETTERS ON NON-GLAZED WHITE FIELD - SEE SPEC'S FOR COLOR AND MFR

2 DEPTH MARKERS 1/2" = 1'-0"

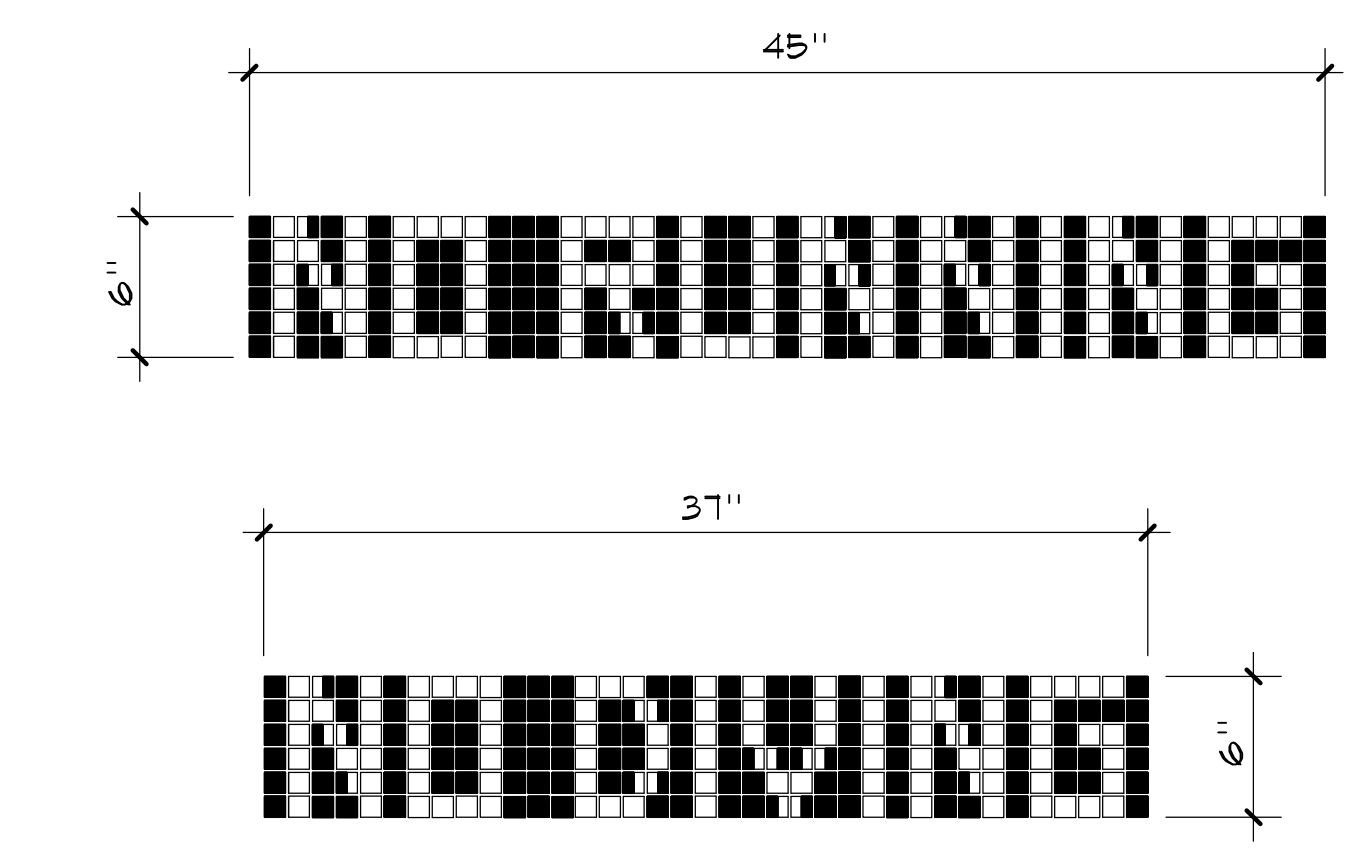


NOTE: PLACE IN DECK AT ALL 'NO DIVING' TILE MARKER LOCATIONS

- SILK SCREEN**
- 4 1/4" x 4 1/4" DOUBLE GLAZED WHITE SLIP RESISTANT TILE TYP. OF (4) PIECES OVER 1/4" MORTAR BED WITH 1/16" GROUT JOINTS. SEE PLAN FOR LOCATION.
 - 1" WIDE RED CIRCLE WITH 1" WIDE RED DIAGONAL LINE.
 - 1/2" BLUE WATER
 - 1/16" RED TICKS ABOUT THE HEAD.
 - TAN COLOR BODY WITH BLACK OUTLINE, HAIR AND TRUNKS.
 - 1/8" BLACK POOL FLOOR.

4 INTERNATIONAL 'NO DIVING' MARKER 3'-1'-0"

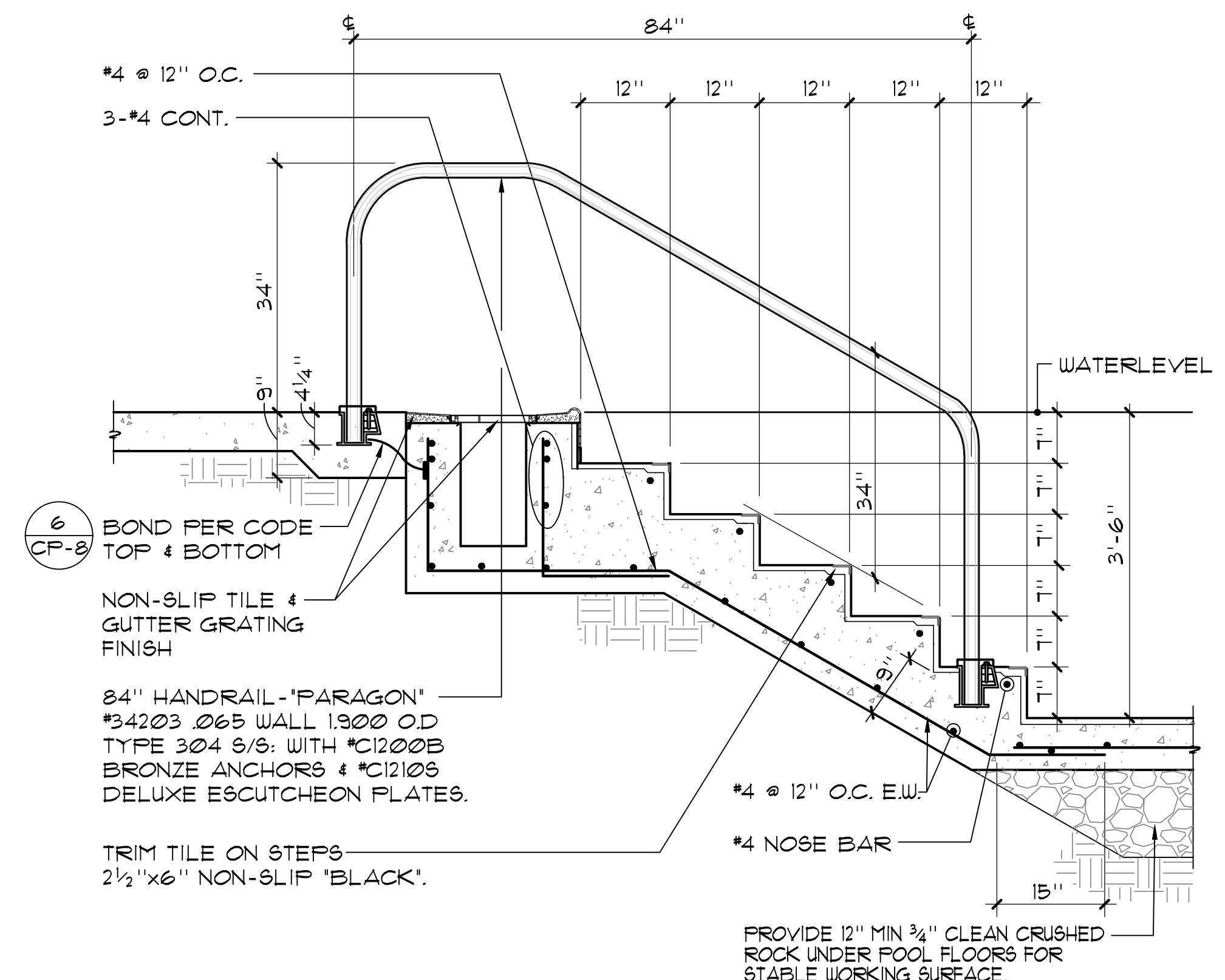
MARKERS
1/2" = 1'-0"



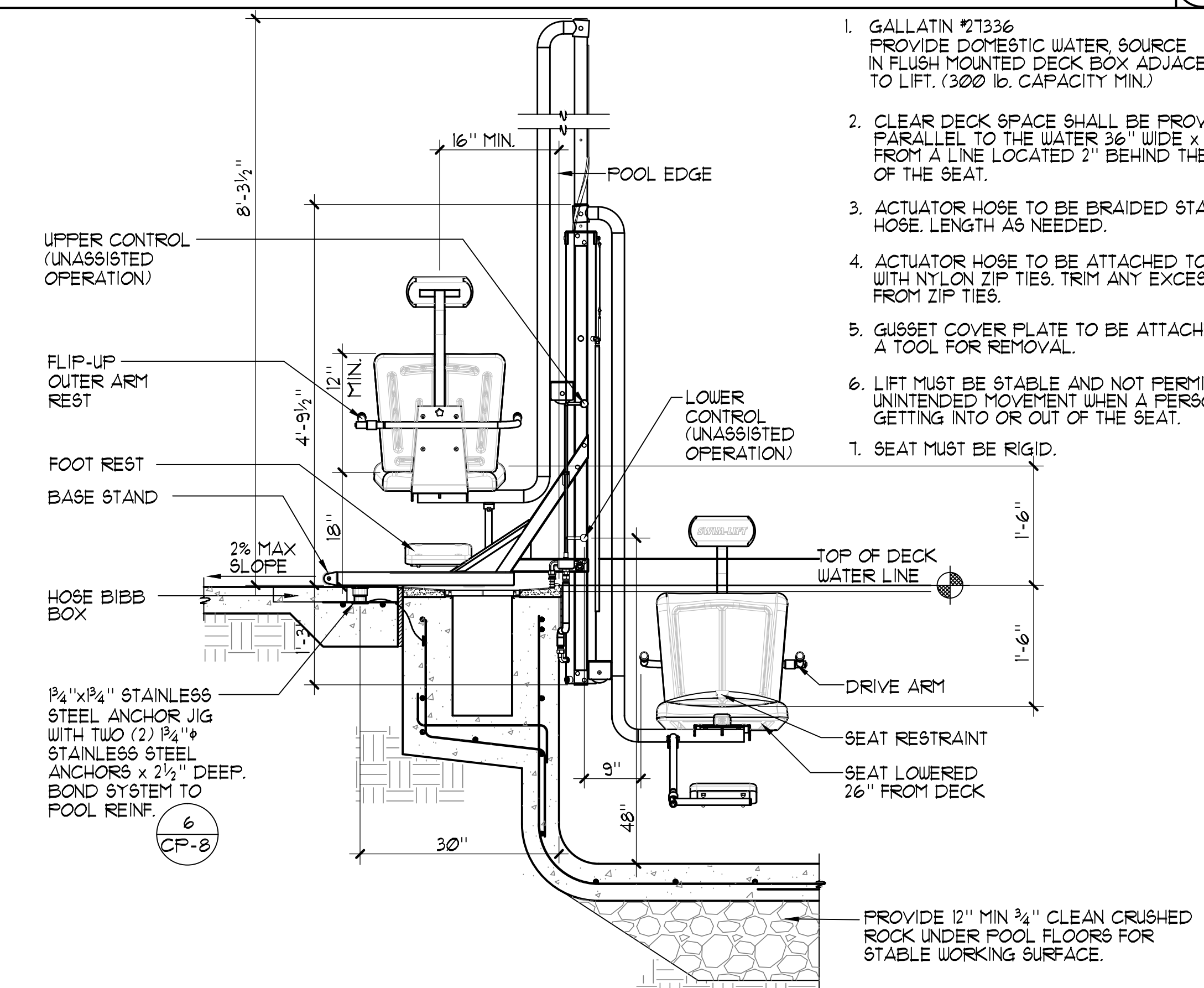
1" X 1" CONTRASTING NON-GLAZED CERAMIC MOSAIC TILE LETTERS ON NON-GLAZED TILE FIELD - SEE SPEC'S FOR COLOR AND MFR

SECTION THROUGH TILE
1/2" = 1'-0"

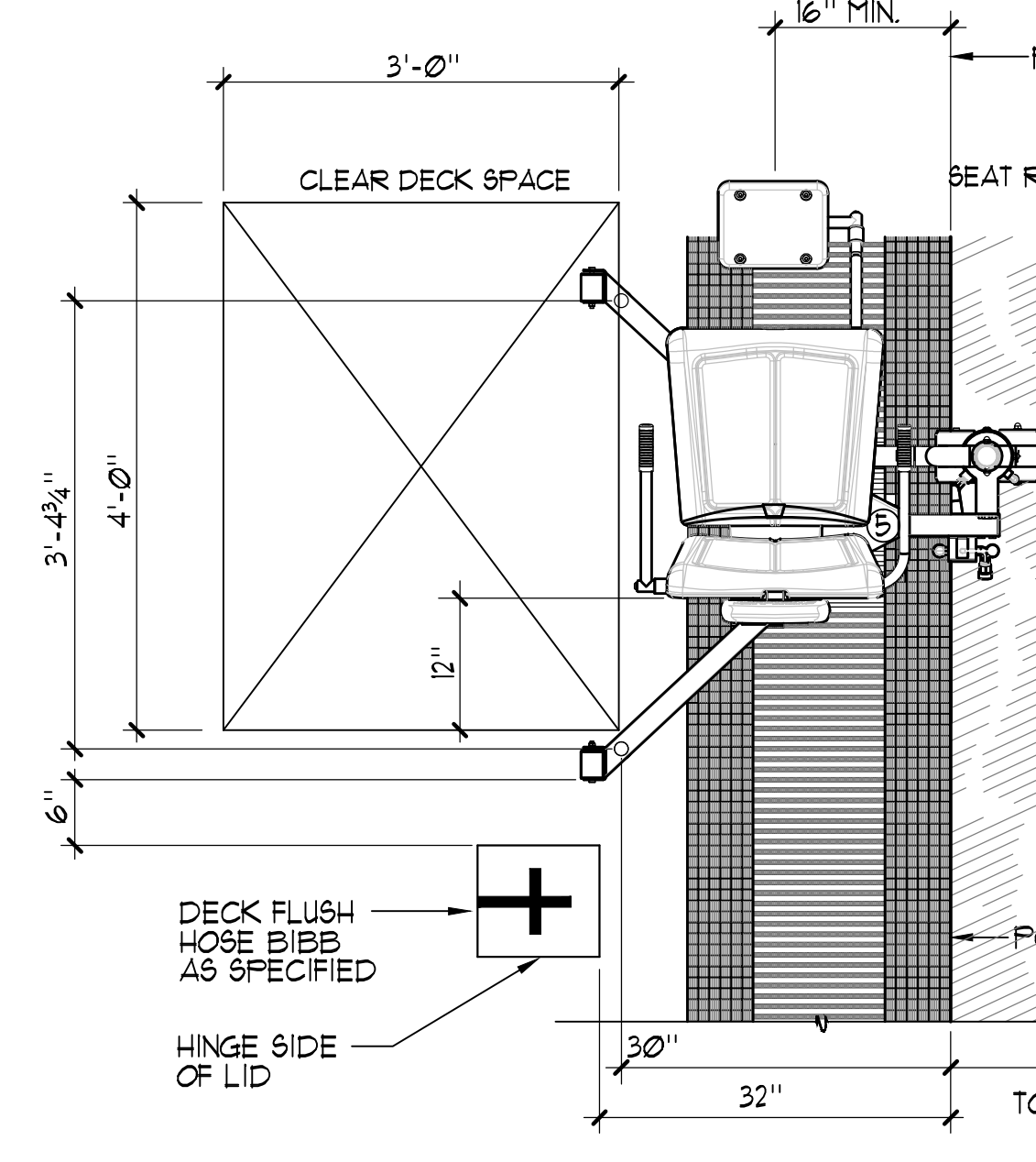
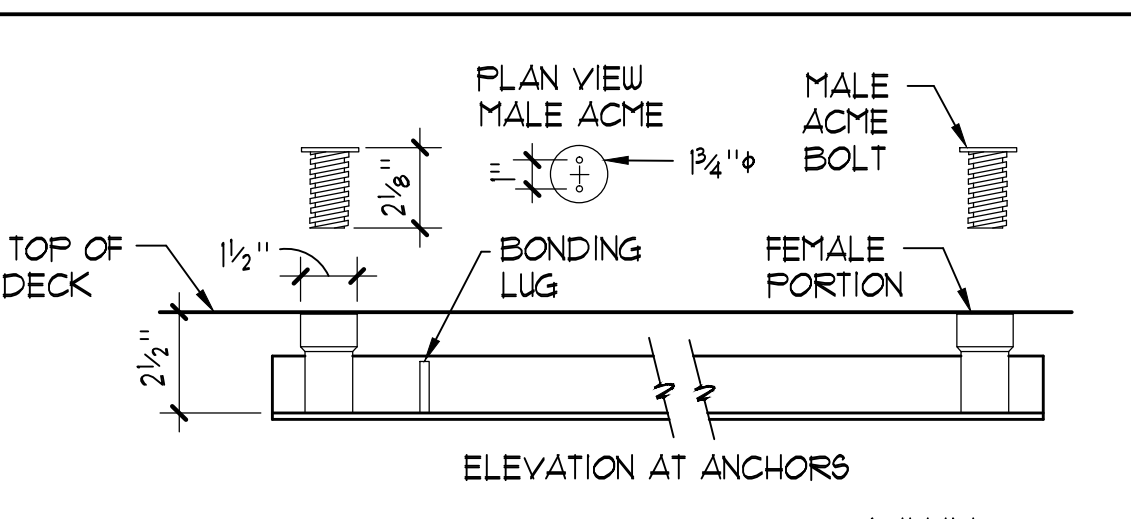
3 "NO RUNNING" / "NO DIVING" MARKERS



5 HANDRAIL DETAIL 3/4" = 1'-0"



- GALLATIN 91336 PROVIDE DOMESTIC WATER SOURCE IN FLUSH MOUNTED DECK BOX ADJACENT TO LIFT. (300 LB. CAPACITY MIN.)
- CLEAR DECK SPACE SHALL BE PROVIDED PARALLEL TO THE WATER 36" WIDE X 48" MINIMUM FROM A LINE LOCATED 2' BEHIND THE REAR EDGE OF THE SEAT.
- ACTUATOR HOSE TO BE BRAIDED STAINLESS STEEL HOSE LENGTH AS NEEDED.
- ACTUATOR HOSE TO BE ATTACHED TO LIFT FRAME WITH NYLON ZIP TIES. TRIM ANY EXCESS LENGTH FROM ZIP TIES.
- GUSSET COVER PLATE TO BE ATTACHED REQUIRING A TOOL FOR REMOVAL.
- LIFT MUST BE STABLE AND NOT PERMIT UNINTENDED MOVEMENT WHEN A PERSON IS GETTING INTO OR OUT OF THE SEAT.
- SEAT MUST BE RIGID.



6 DISABLED LIFT 3/4" = 1'-0"

Date	Revision	Description

Reviewer	Description	Date

Job No.	27082.30
Date	09 APRIL 2009
Drawn by	NFC
Checked by	SJF
Scale	AS NOTED