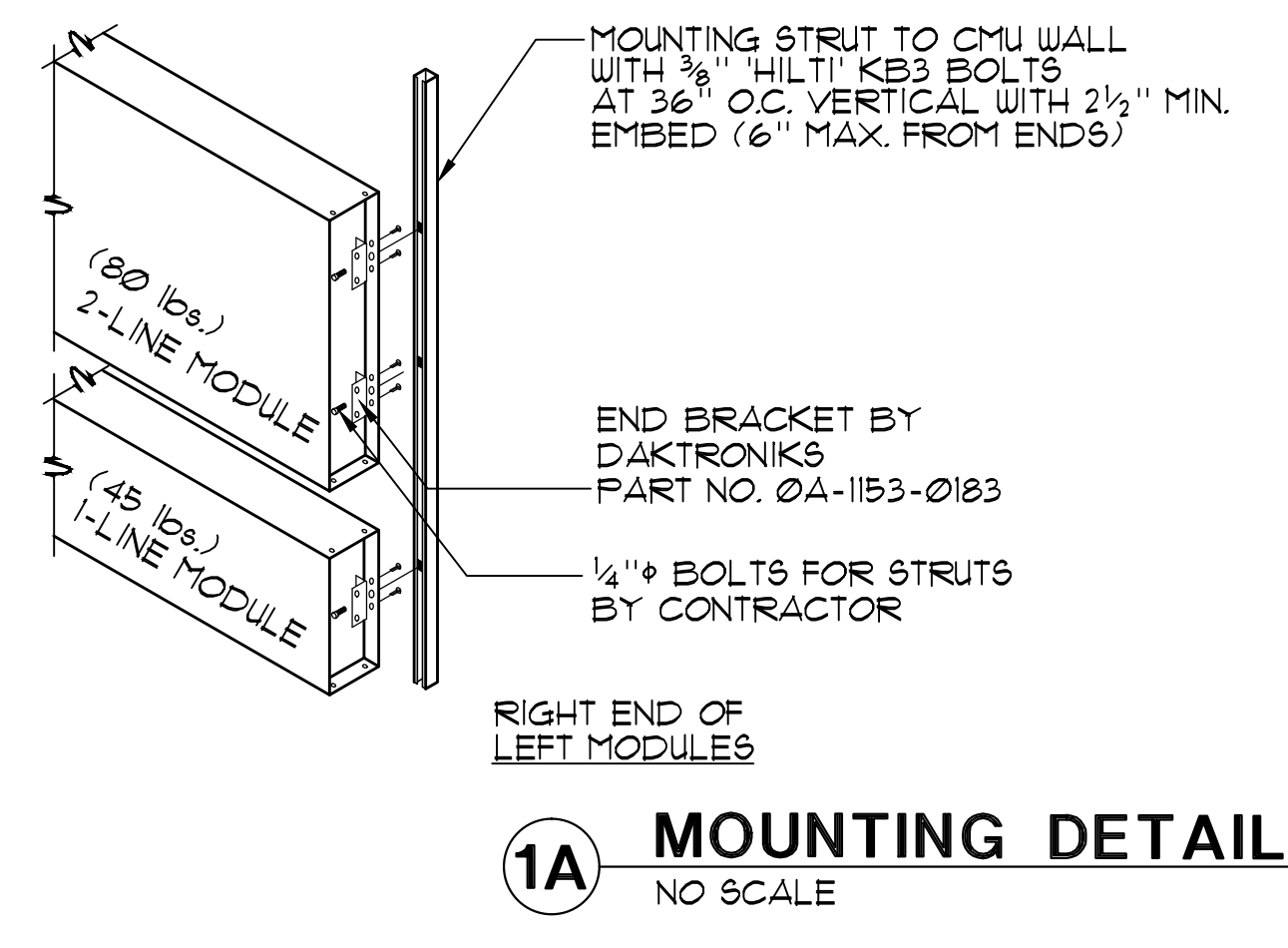
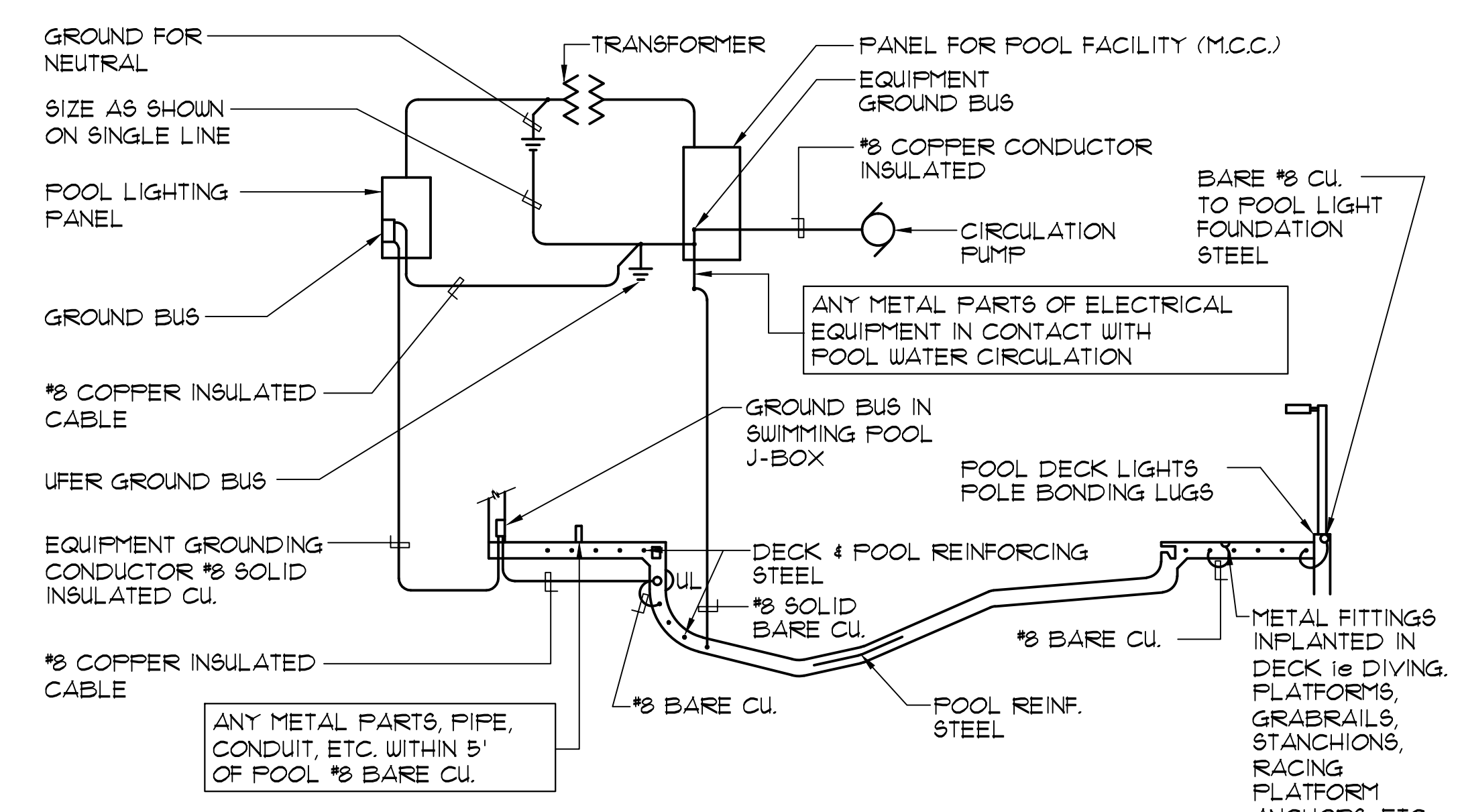


- SPECIFICATIONS:**
- LED SCOREBOARD:**
- DIGITS:
 - DIGITS ARE 10" HIGH, 1 LED SEGMENTS EACH
 - COLONS AND DECIMALS ARE VINYL
 - CAPTIONS:
 - ALL CAPTIONS ARE 5" HIGH, VINYL
 - IDENTIFICATION DISPLAY:**
 - LETTERS ARE 12" HIGH, VINYL
 - DISPLAY FACE IS FINISHED ALUMINUM
- GENERAL DISPLAY:**
- SINGLE FACE
 - ALL ALUMINUM CONSTRUCTION
 - DISPLAY FINISH TO BE SPECIFIED
 - DIMENSIONS ARE SUBJECT TO CHANGE DUE TO DETAILED DESIGN CONSIDERATIONS; ONLY APPROVED SHOP DRAWINGS SHOULD BE USED FOR CONSTRUCTION PURPOSES
 - OUTDOOR MODELS MUST BE EARTH GROUND/NUMBER 4 LENGTHS OF RODS TO MEET LOCAL NATIONAL ELECTRIC CODE
- MAXIMUM POWER CONSUMPTION:**
- 100 WATTS
 - 120V AC, 20 AMP CIRCUIT REQUIRED
- TOTAL SYSTEM WEIGHT:**
- APPROXIMATELY 500 LBS

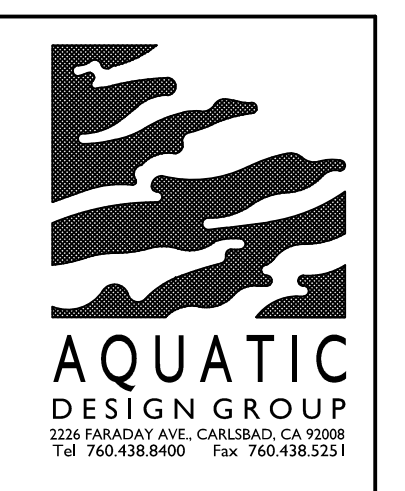


1 SCOREBOARD DETAILS AS NOTED

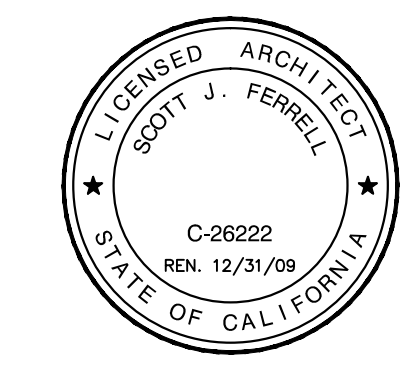


- NOTE:**
1. STRUCTURAL STEEL IN POOL DECK AND POOL SHALL BE BONDED TOGETHER (STEEL TIE-WIRES ARE APPROVED FOR BONDING STRUCTURAL ELEMENTS).
 2. BONDING CONNECTOR TO COMMON GRID. (POOL STEEL MAY BE USED FOR THAT PURPOSE) SHALL BE MADE BY PRESSURE CONNECTORS OR CLAMPS OF BRASS, COPPER, OR COPPER ALLOY.
 3. ALL GROUND BUSES SHALL BE SIZED FOR CONNECTION TO AWG SIZE 8 WIRE PROVIDING ONE SPARE TERMINAL.
 4. GROUND AND BOND IN ACCORDANCE WITH ARTICLE 680 OF THE NATIONAL ELECTRICAL CODE. IS. LADDERS, FENCING, POLE LIGHTS, DIVING & STARTING STANCHIONS, HANDICAP HOIST ETC.

2 TYPICAL POOL BONDING AND GROUND DETAIL NO SCALE



McCarthy Building Companies, Inc.
343 Sansome Street, 14th Floor
San Francisco, California 94104
P 415 | 364-1339
F 415 | 397-5999



IDENTIFICATION STAMP
DIV. OF THE STATE ARCHITECT
OFFICE OF REGULATION SERVICE
APPL. #: 01-110097
AC: FLS SS
DATE:
FILE NUMBER: 41-C1

This and all other project documents and all data, including any design incorporated herein are the property of LPA. LPA and its consultants shall not be held responsible for any project or program that is not approved by the regulatory agency. LPA and its consultants shall not be held responsible for any project or program that is not approved by the regulatory agency. LPA and its consultants shall not be held responsible for any project or program that is not approved by the regulatory agency.

Project documents describe design intent of work and are not a representation of as-built or existing conditions. LPA and its consultants make no representation concerning the accuracy of documents and are not responsible for any discrepancies between project documents and the existing conditions.

© Copyright 2008

College of San Mateo
Site Package
San Mateo, CA
Developed for
San Mateo County Community College District

Revision	Description	Date
01	PROJECT RECORD DRAWING	JUNE 2011
02	PROJECT RECORD DRAWING	JUNE 2011
03	PROJECT RECORD DRAWING	JUNE 2011
04	PROJECT RECORD DRAWING	JUNE 2011
05	PROJECT RECORD DRAWING	JUNE 2011
06	PROJECT RECORD DRAWING	JUNE 2011
07	PROJECT RECORD DRAWING	JUNE 2011
08	PROJECT RECORD DRAWING	JUNE 2011
09	PROJECT RECORD DRAWING	JUNE 2011
10	PROJECT RECORD DRAWING	JUNE 2011
11	PROJECT RECORD DRAWING	JUNE 2011
12	PROJECT RECORD DRAWING	JUNE 2011
13	PROJECT RECORD DRAWING	JUNE 2011
14	PROJECT RECORD DRAWING	JUNE 2011
15	PROJECT RECORD DRAWING	JUNE 2011
16	PROJECT RECORD DRAWING	JUNE 2011
17	PROJECT RECORD DRAWING	JUNE 2011
18	PROJECT RECORD DRAWING	JUNE 2011
19	PROJECT RECORD DRAWING	JUNE 2011
20	PROJECT RECORD DRAWING	JUNE 2011
21	PROJECT RECORD DRAWING	JUNE 2011
22	PROJECT RECORD DRAWING	JUNE 2011
23	PROJECT RECORD DRAWING	JUNE 2011
24	PROJECT RECORD DRAWING	JUNE 2011
25	PROJECT RECORD DRAWING	JUNE 2011
26	PROJECT RECORD DRAWING	JUNE 2011
27	PROJECT RECORD DRAWING	JUNE 2011
28	PROJECT RECORD DRAWING	JUNE 2011
29	PROJECT RECORD DRAWING	JUNE 2011
30	PROJECT RECORD DRAWING	JUNE 2011
31	PROJECT RECORD DRAWING	JUNE 2011
32	PROJECT RECORD DRAWING	JUNE 2011
33	PROJECT RECORD DRAWING	JUNE 2011
34	PROJECT RECORD DRAWING	JUNE 2011
35	PROJECT RECORD DRAWING	JUNE 2011
36	PROJECT RECORD DRAWING	JUNE 2011
37	PROJECT RECORD DRAWING	JUNE 2011
38	PROJECT RECORD DRAWING	JUNE 2011
39	PROJECT RECORD DRAWING	JUNE 2011
40	PROJECT RECORD DRAWING	JUNE 2011
41	PROJECT RECORD DRAWING	JUNE 2011
42	PROJECT RECORD DRAWING	JUNE 2011
43	PROJECT RECORD DRAWING	JUNE 2011
44	PROJECT RECORD DRAWING	JUNE 2011
45	PROJECT RECORD DRAWING	JUNE 2011
46	PROJECT RECORD DRAWING	JUNE 2011
47	PROJECT RECORD DRAWING	JUNE 2011
48	PROJECT RECORD DRAWING	JUNE 2011
49	PROJECT RECORD DRAWING	JUNE 2011
50	PROJECT RECORD DRAWING	JUNE 2011

Job No. 27062.30
Date 09 APRIL 2009
Drawn by NFC
Checked by SJF
Scale AS NOTED

DETAILS
CP-9