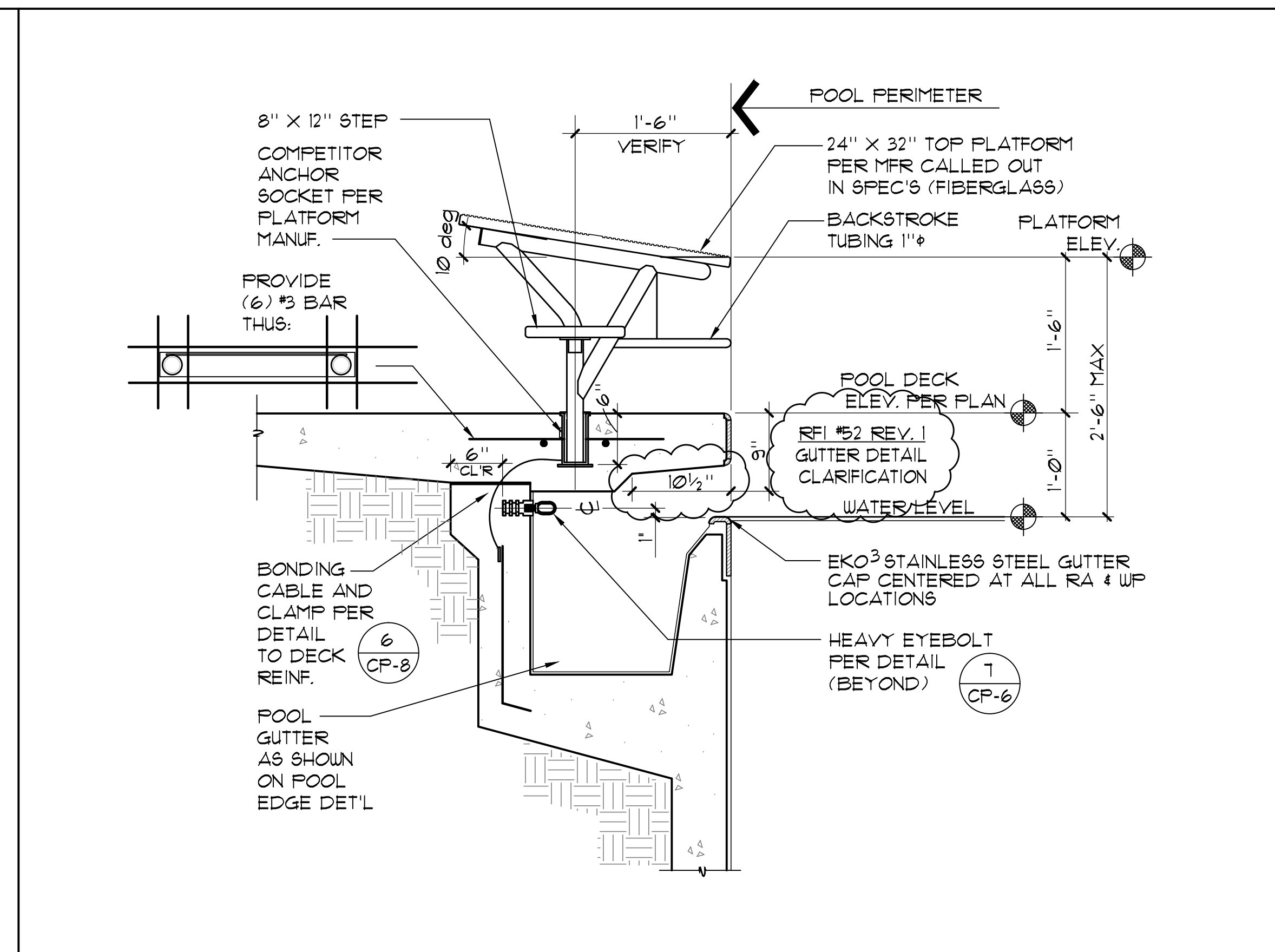
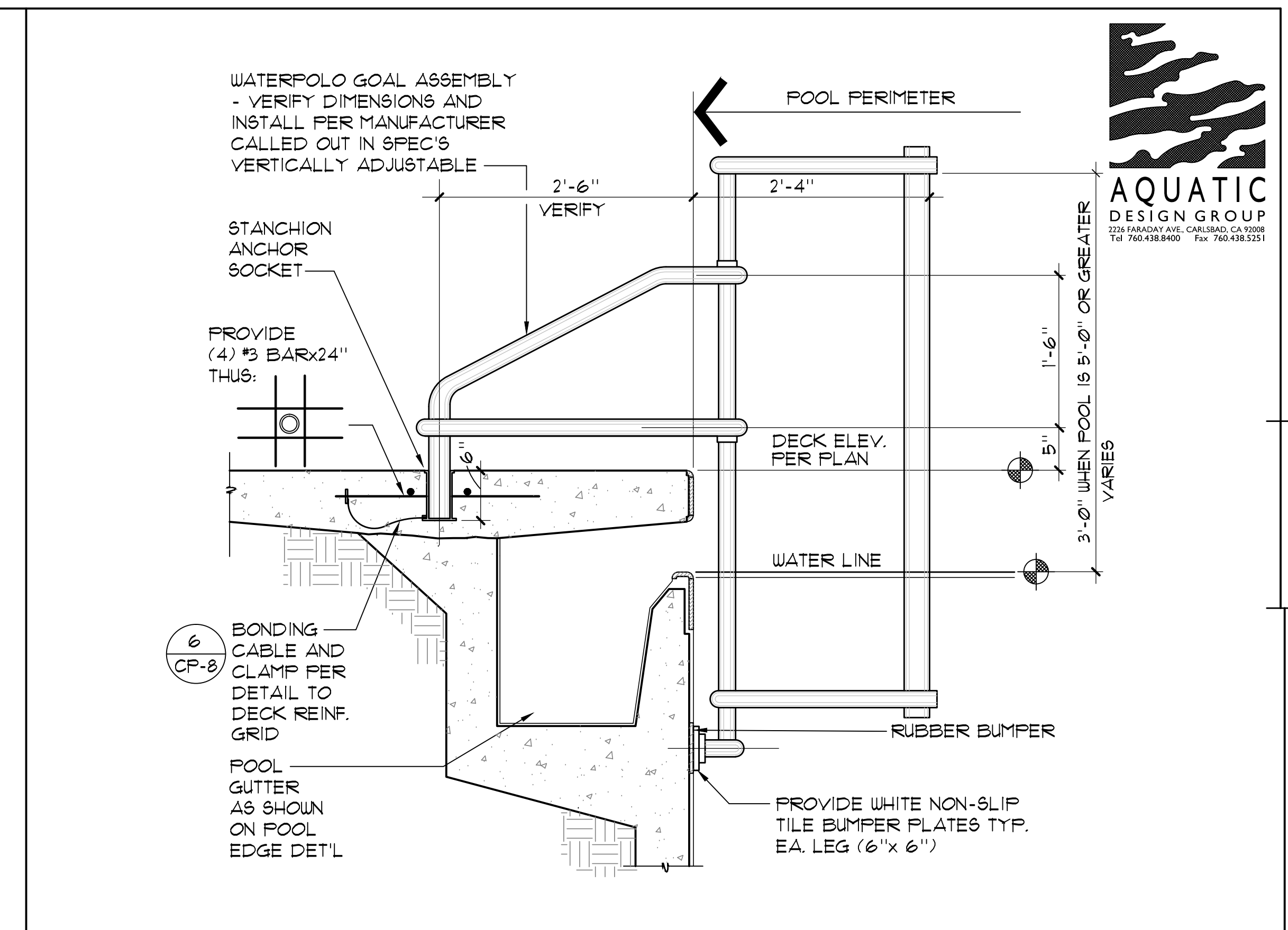


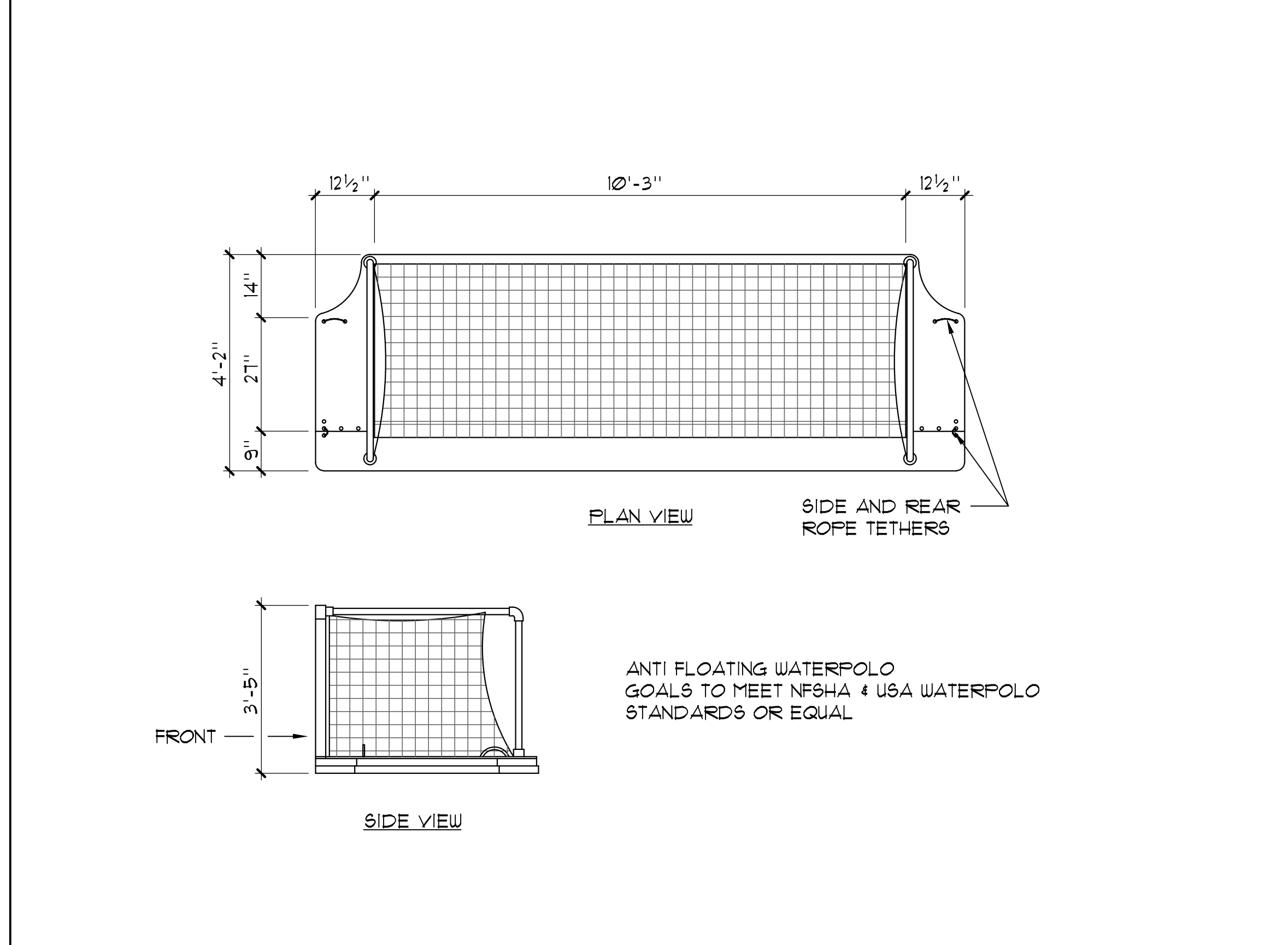
1 POOL LADDER 1"=1'-0"



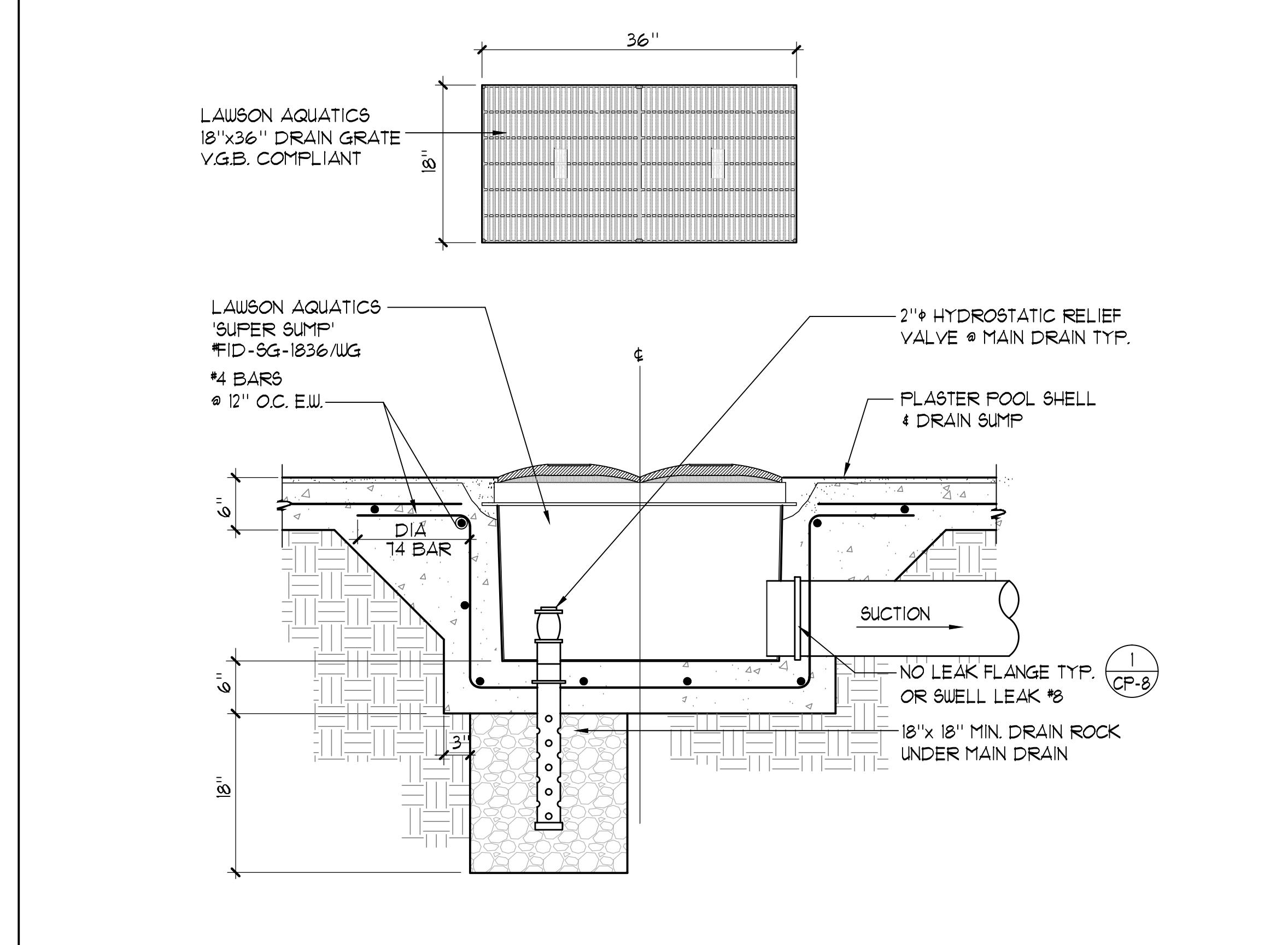
2 RACING PLATFORM 1"=1'-0"



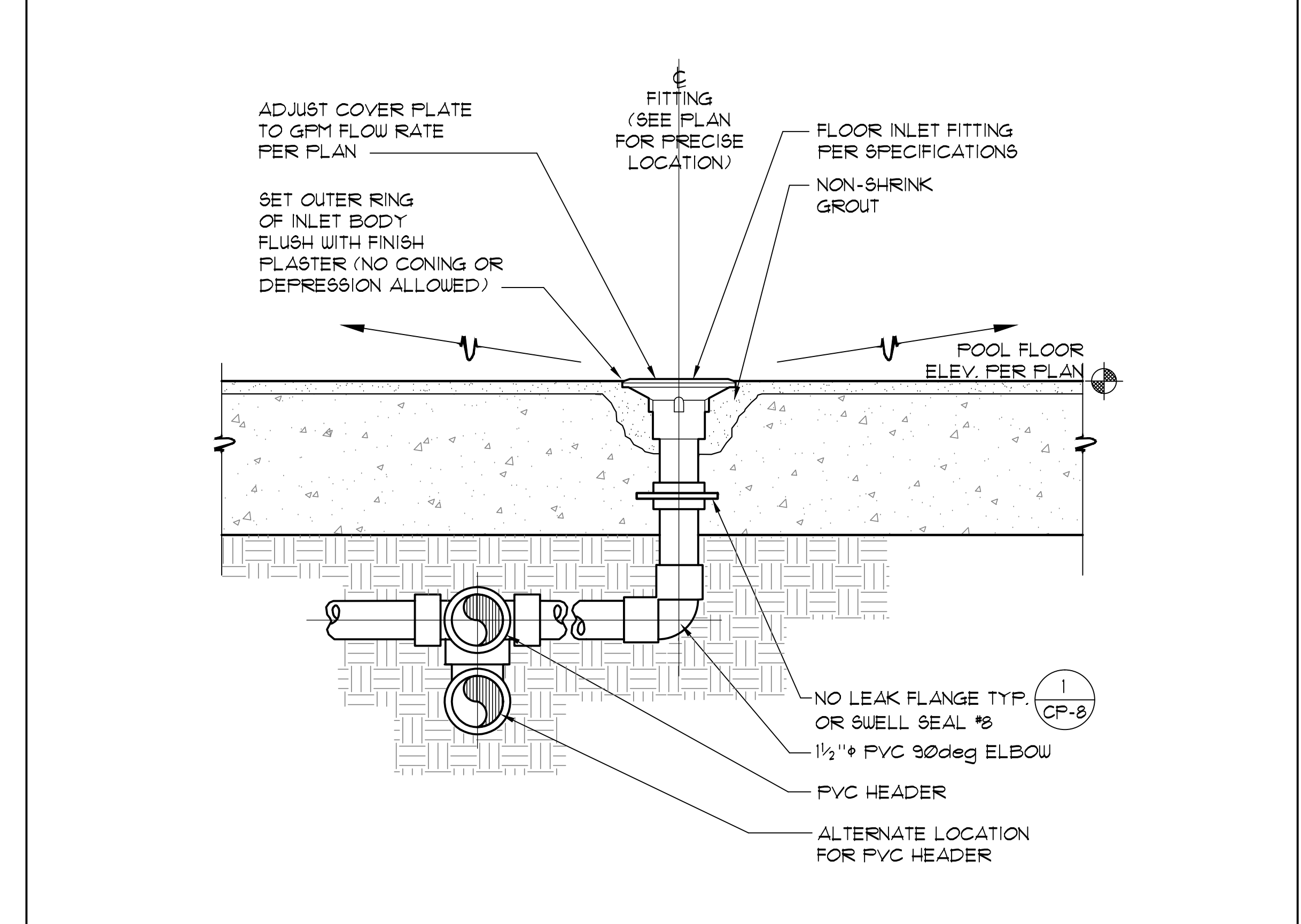
3 WATERPOLO GOAL 1"=1'-0"



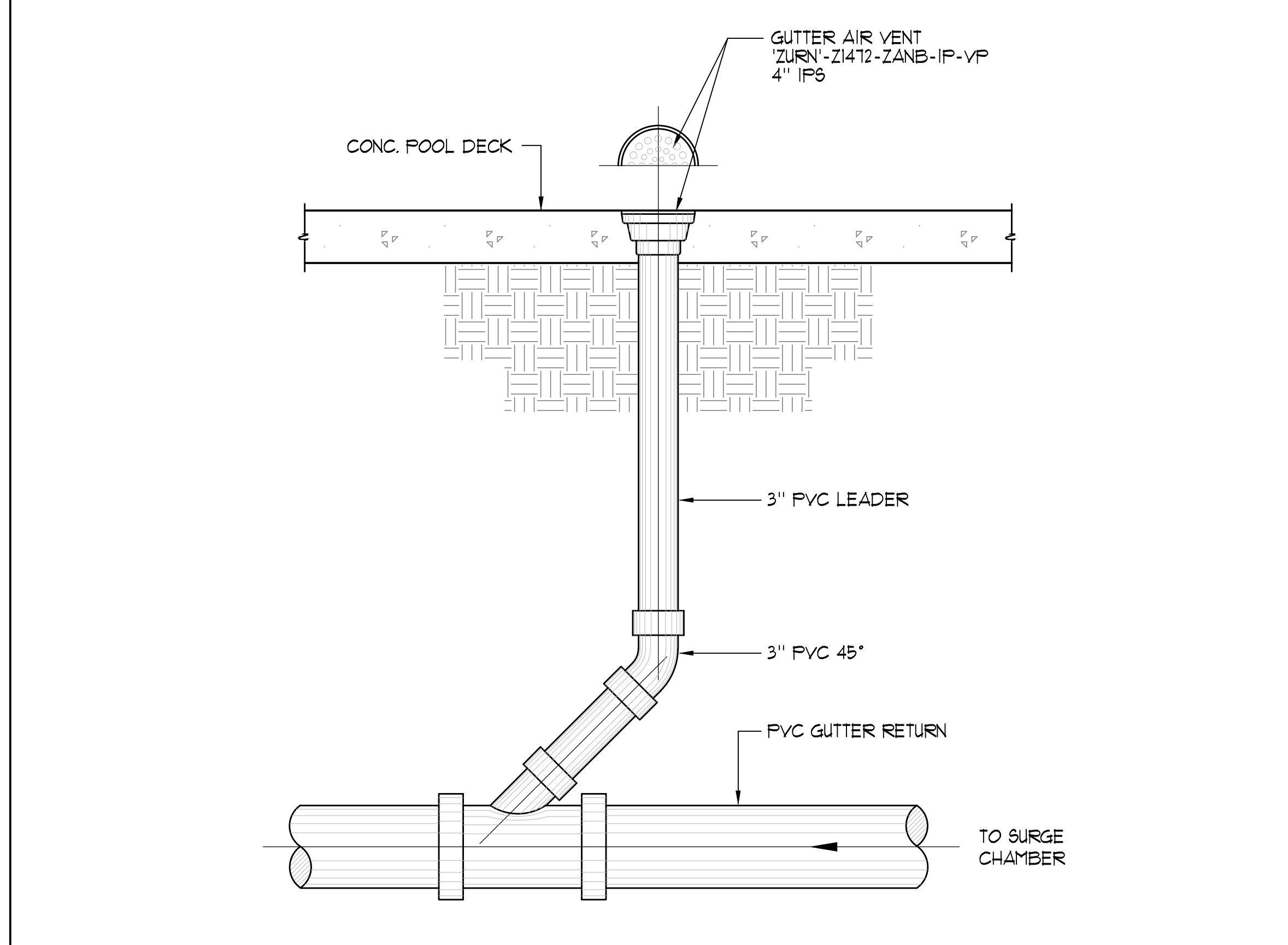
4 FLOATING WATER POLO GOALS 1/2"=1'-0"



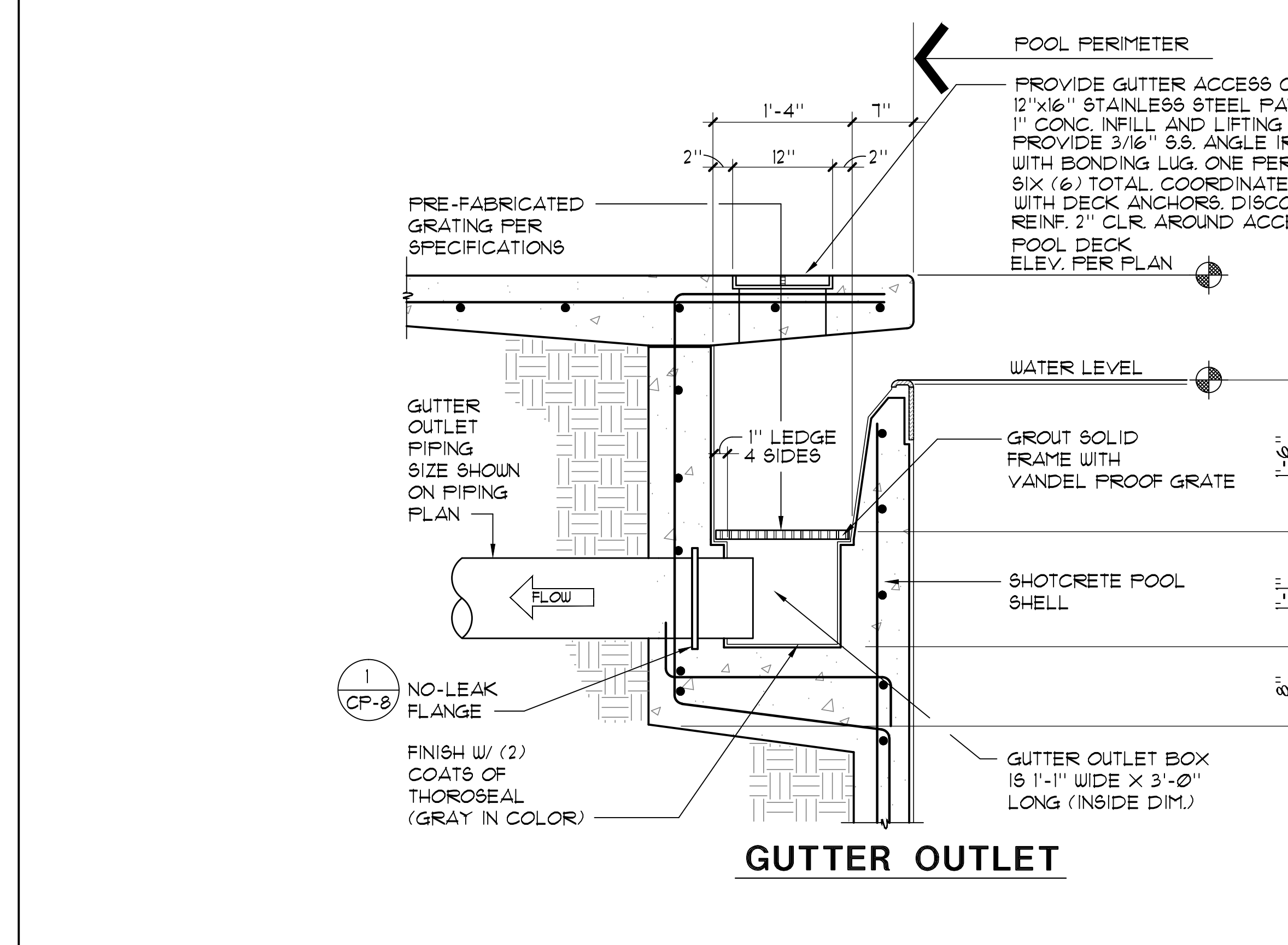
5 MAIN DRAIN 1"=1'-0"



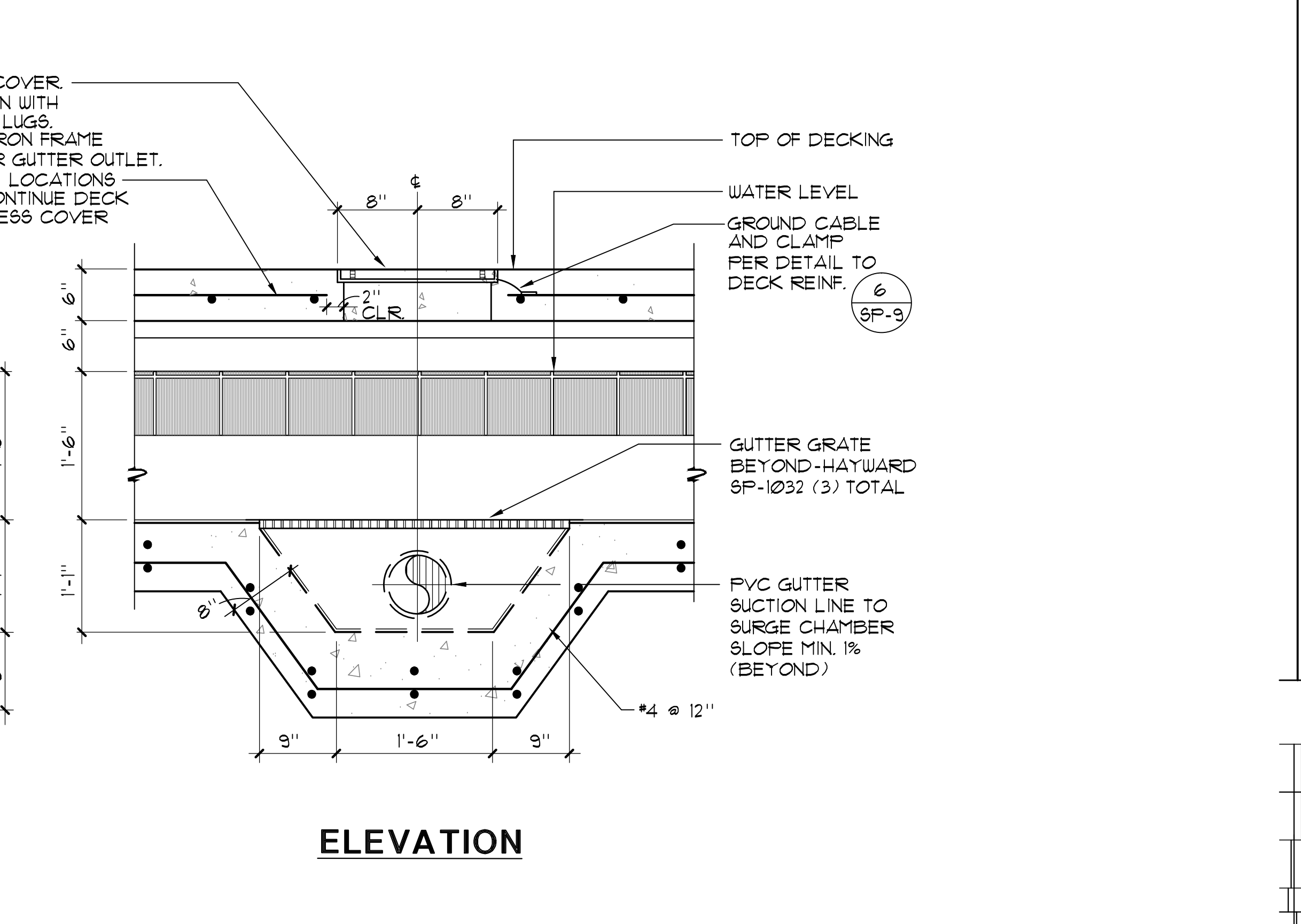
6 FLOOR INLET 3"=1'-0"



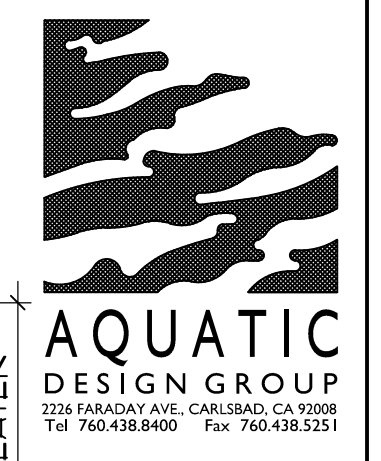
7 AIR VENT 1"=1'-0"



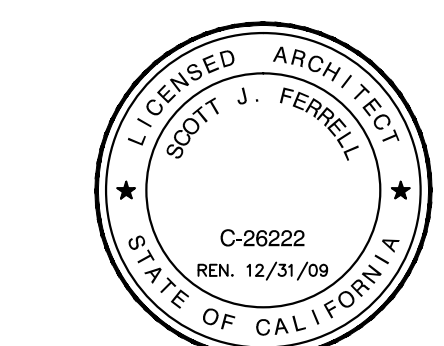
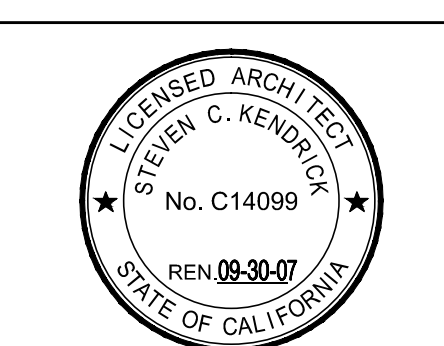
8 GUTTER OUTLET 1"=1'-0"



ELEVATION



McCarthy Building Companies,
343 Sansome Street, 14th Floor
San Francisco, California 94104
P 415 364-1339
F 415 397-5999



IDENTIFICATION STAMP
DIV. OF THE STATE ARCHITECT
OFFICE OF REGULATION SERVICE
APPL. #: 01-110097
AC: _____ FLS: _____ SS: _____
DATE: _____
FILE NUMBER: 41-C1

The end of other project documents and all data, conditions and design incorporated herein are deemed to be part of this project documents on the registered property of LPA, Inc. (LPA) and covered by copyright used in whole or in part for any project or purpose without the written consent of the registered owner. LPA and LPA's Consultants make no representation concerning the accuracy of documents one are not responsible for any discrepancies between project documents and the existing conditions.
© Copyright 2008

College of San Mateo
Site Package
San Mateo, CA
Developed for
San Mateo County Community College District

Date	Revision	Description
19 SEPT 2008	1	DSB SUBMITTAL
09 APRIL 2009	2	DSB FINAL
09 APRIL 2009	3	PROJECT RECORD DRAWING
JUNE 2011	4	

Job No.	2708230
Date	09 APRIL 2009
Drawn by	NFC
Checked by	SJF
Scale	AS NOTED

DETAILS
CP-7