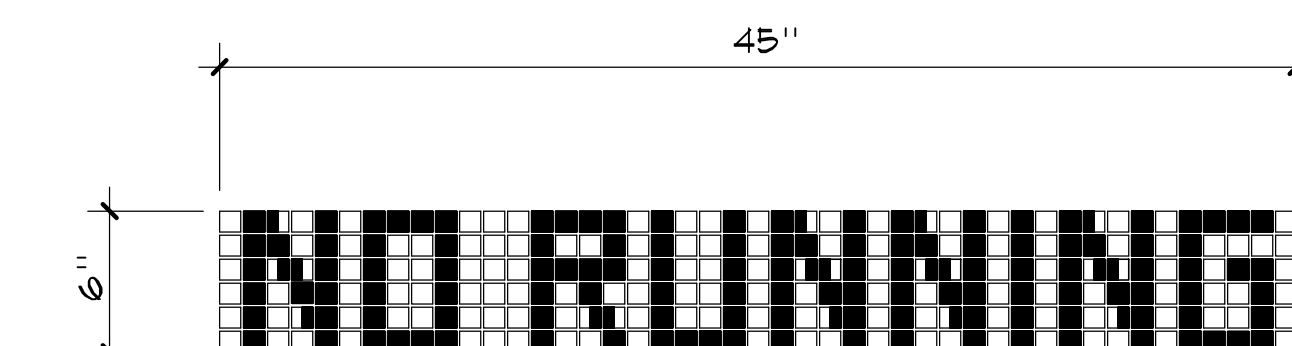


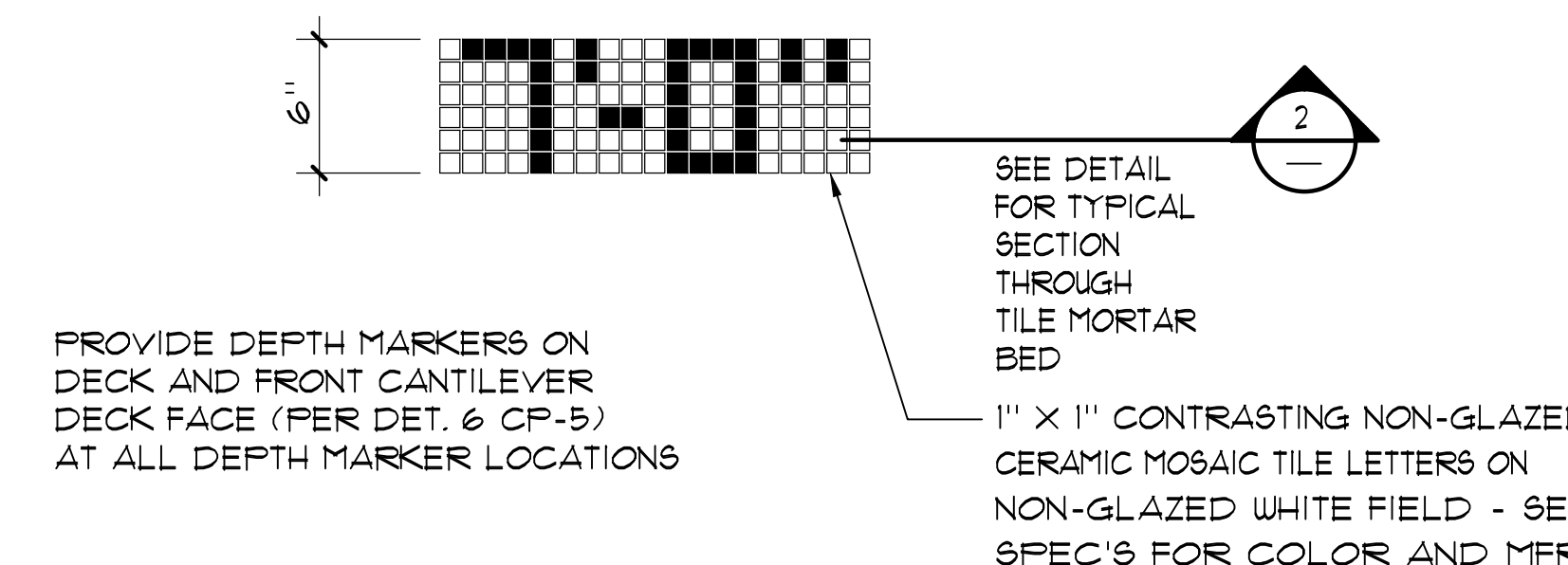
PLAN VIEW

MARKER
1/2" = 1'-0"

1" x 1" CONTRASTING NON-GLAZED CERAMIC MOSAIC TILE LETTERS ON NON-GLAZED TILE FIELD - SEE SPEC'S FOR COLOR AND MFR



SECTION THROUGH TILE
1/2" = 1'-0"



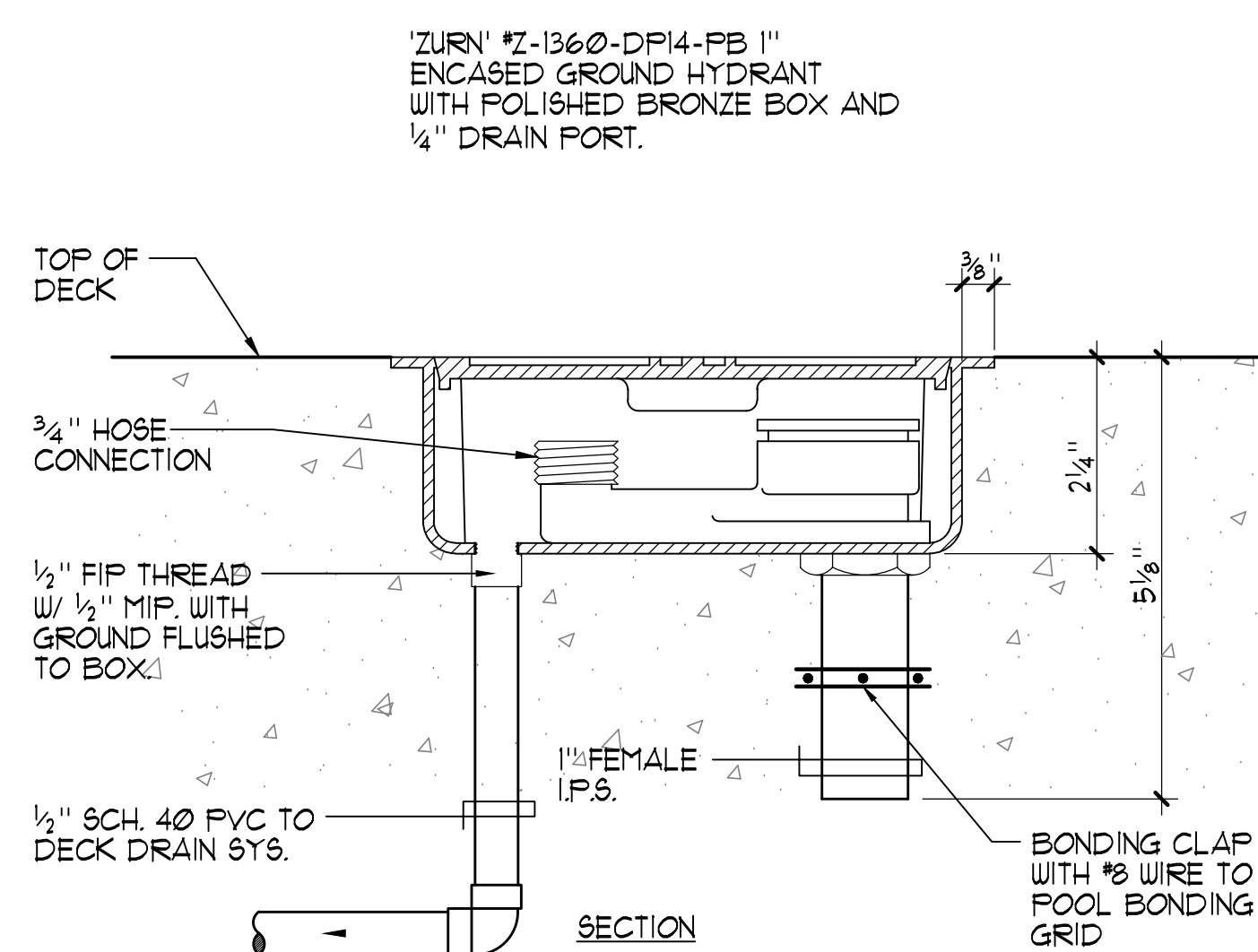
PROVIDE DEPTH MARKERS ON DECK AND FRONT CANTILEVER DECK FACE (PER DET. 6 CP-5) AT ALL DEPTH MARKER LOCATIONS

SEE DETAIL FOR TYPICAL SECTION THROUGH TILE MORTAR BED
1" x 1" CONTRASTING NON-GLAZED CERAMIC MOSAIC TILE LETTERS ON NON-GLAZED WHITE FIELD - SEE SPEC'S FOR COLOR AND MFR

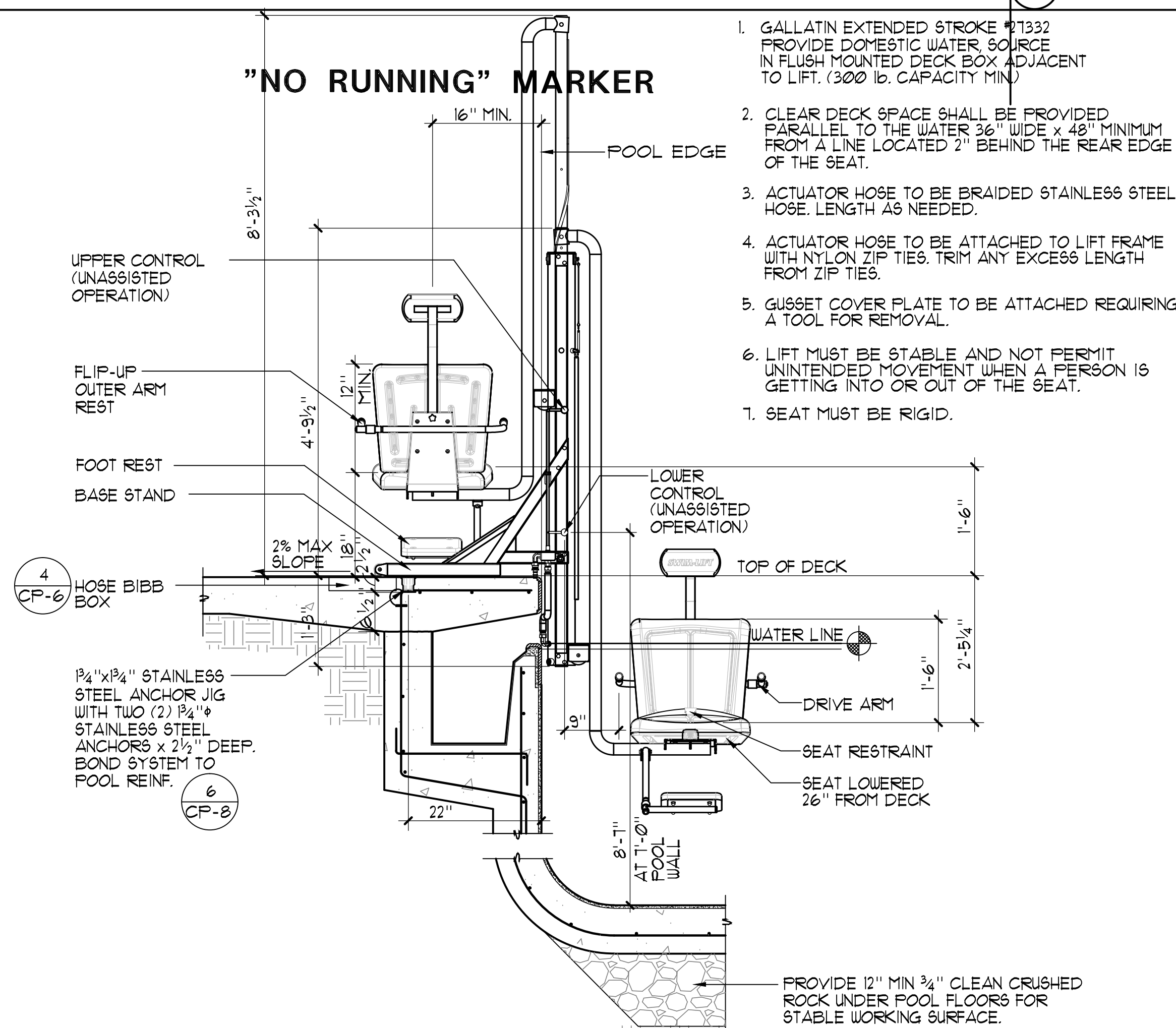
1 RACING LANE LINE 1/2" = 1'-0"

2 "NO RUNNING" MARKER 1/2" = 1'-0"

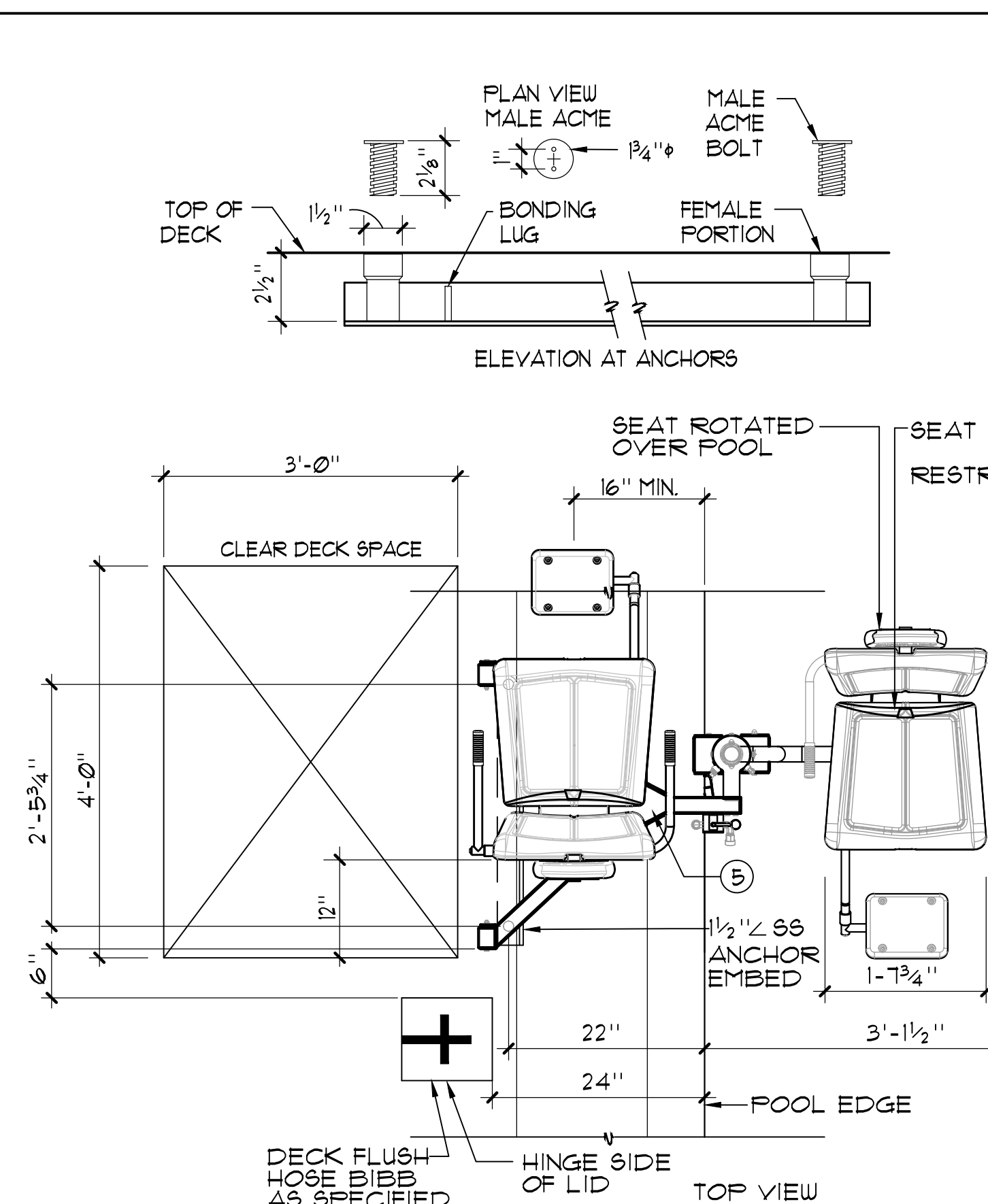
3 DEPTH MARKERS 1/2" = 1'-0"



'ZURN' #Z-1360-DF14-PB 1" ENCASED GROUND HYDRANT WITH POLISHED BRONZE BOX AND 1/4" DRAIN PORT.

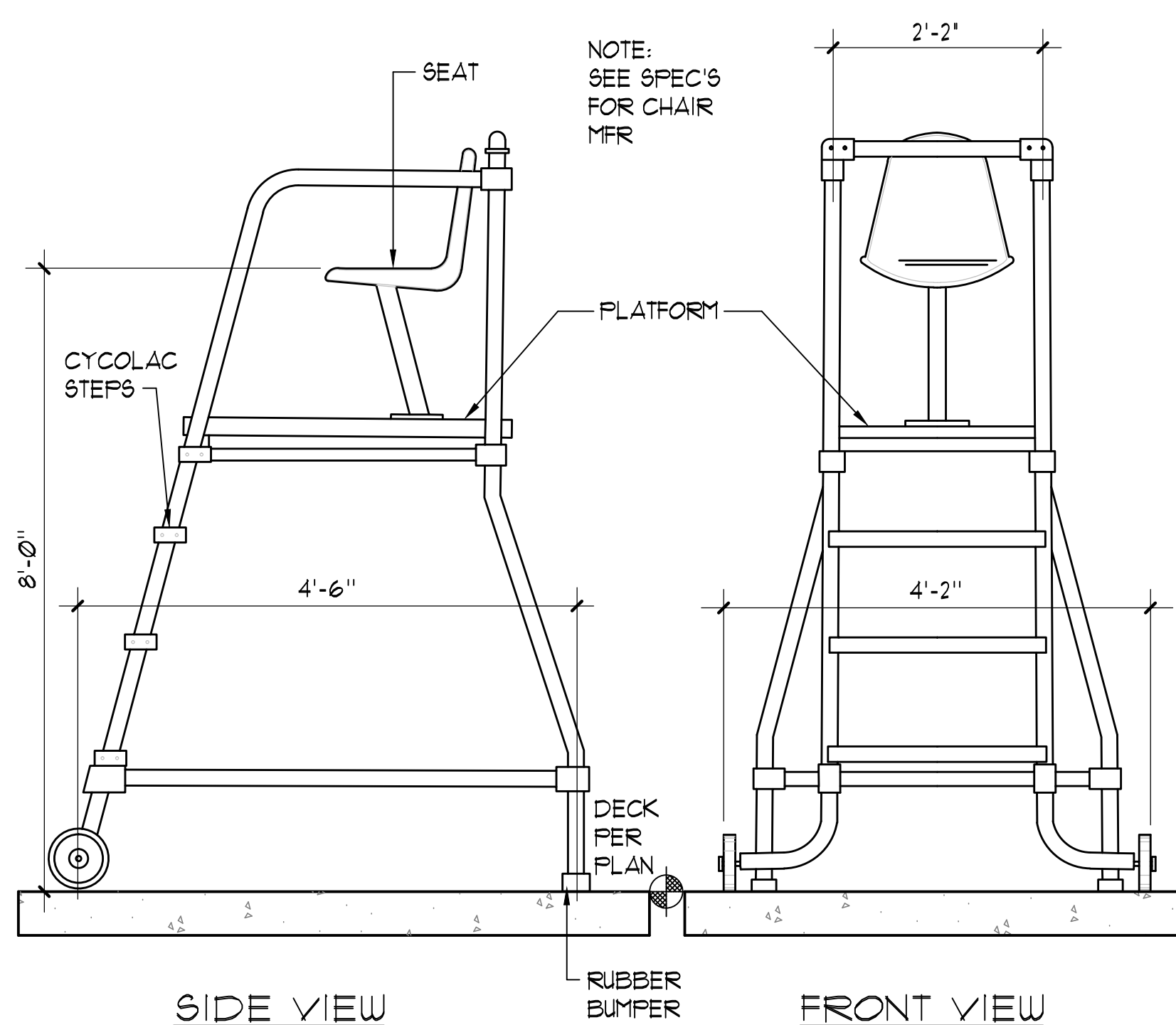


- GALLATIN EXTENDED STROKE #1332 PROVIDE DOMESTIC WATER SOURCE IN FLUSH MOUNTED DECK BOX ADJACENT TO LIFT. (300 LB. CAPACITY MIN)
- CLEAR DECK SPACE SHALL BE PROVIDED PARALLEL TO THE WATER 36" WIDE x 48" MINIMUM FROM A LINE LOCATED 2' BEHIND THE REAR EDGE OF THE SEAT.
- ACTUATOR HOSE TO BE BRAIDED STAINLESS STEEL HOSE. LENGTH AS NEEDED.
- ACTUATOR HOSE TO BE ATTACHED TO LIFT FRAME WITH NYLON ZIP TIES. TRIM ANY EXCESS LENGTH FROM ZIP TIES.
- GUSSET COVER PLATE TO BE ATTACHED REQUIRING A TOOL FOR REMOVAL.
- LIFT MUST BE STABLE AND NOT PERMIT UNINTENDED MOVEMENT WHEN A PERSON IS GETTING INTO OR OUT OF THE SEAT.
- SEAT MUST BE RIGID.



4 HOSE BIBB NO SCALE

5 DISABLED LIFT 3/4" = 1'-0"

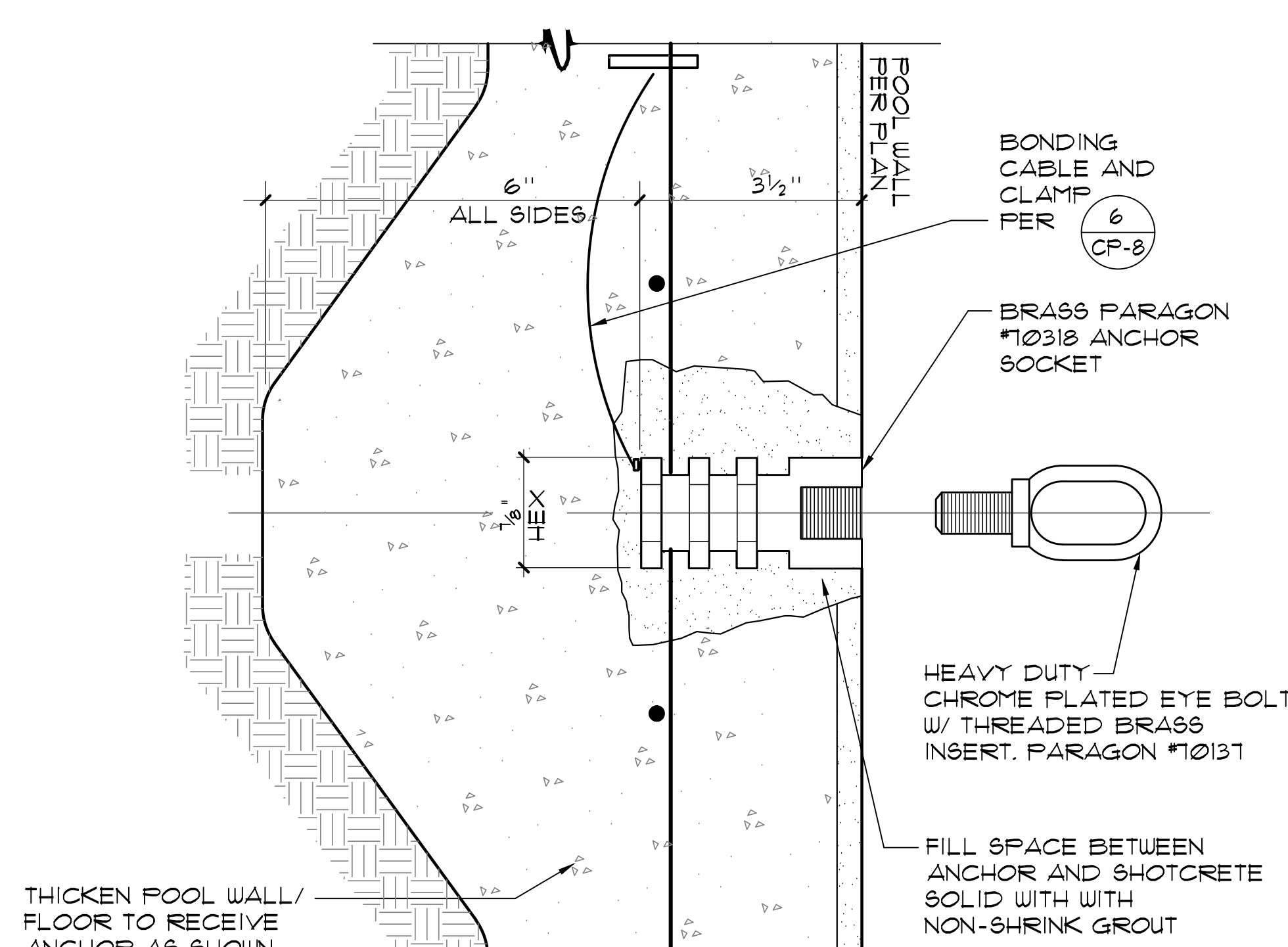


NOTE: SEE SPEC'S FOR CHAIR MFR

SIDE VIEW

FRONT VIEW

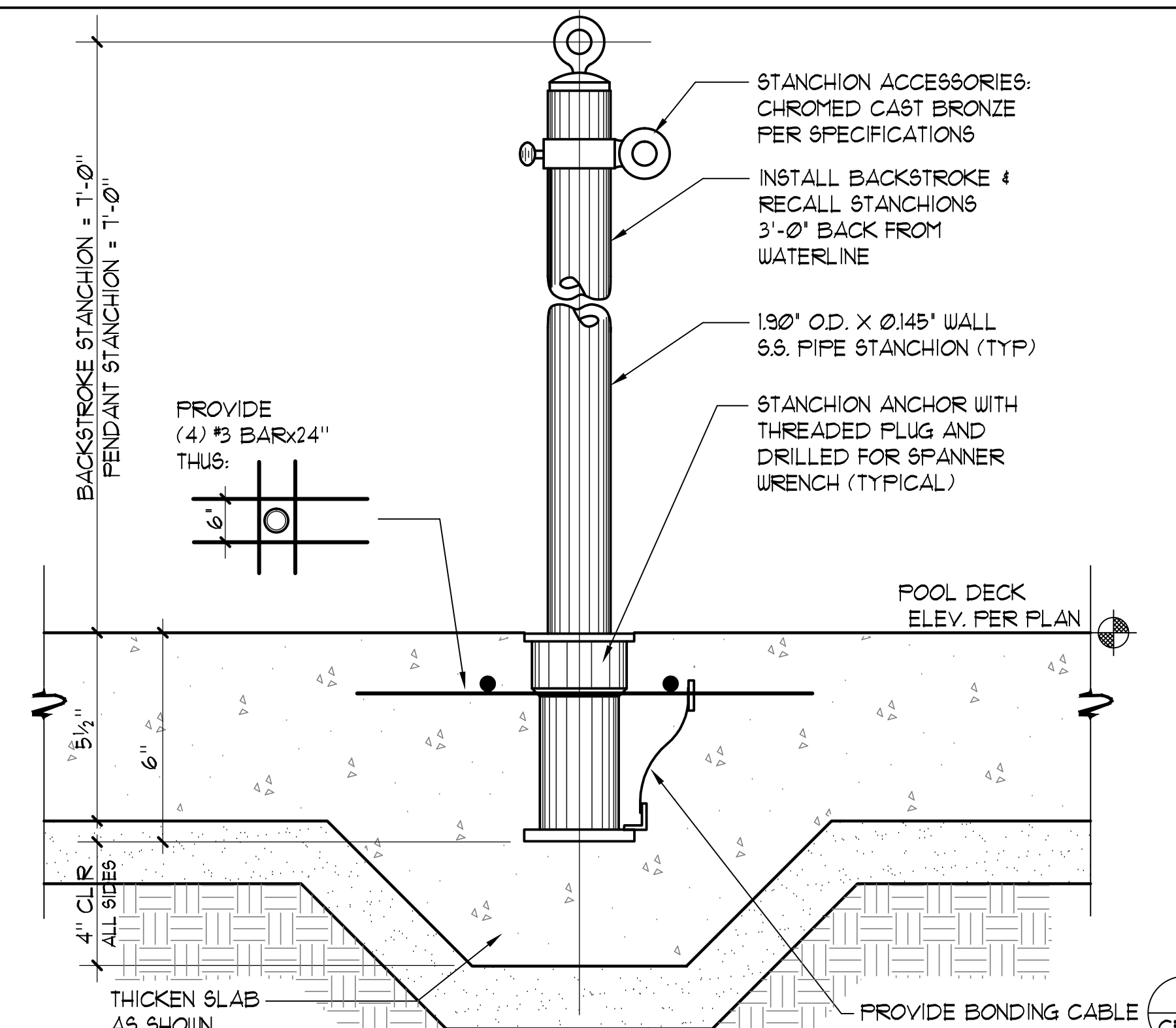
6 MOVEABLE LIFEGUARD CHAIR NO SCALE



THICKEN POOL WALL/FLOOR TO RECEIVE ANCHOR AS SHOWN

FILL SPACE BETWEEN ANCHOR AND SHOTCRETE SOLID WITH WITH NON-SHRINK GROUT

7 HEAVY EYEBOLT ANCHOR 1/2" = 1"



PROVIDE (4) #3 BARx24" THIS:

THICKEN SLAB AS SHOWN

PROVIDE BONDING CABLE TO DECK REINF. GRID

8 STANCHION POST/ANCHOR 3/4" = 1'-0"

Date:	
Revision:	Description:

Revised:	Quantity:	Date:
CSK SUBMITTAL	13	SEPT 2008
CSK PLAN	09	APRIL 2009
PROJECT RECORD DRAWING	JUNE	2011

Job No.	27062.30
Date	09 APRIL 2009
Drawn by	MFC
Checked by	SJF
Scale	AS NOTED

DETAILS
CP-6