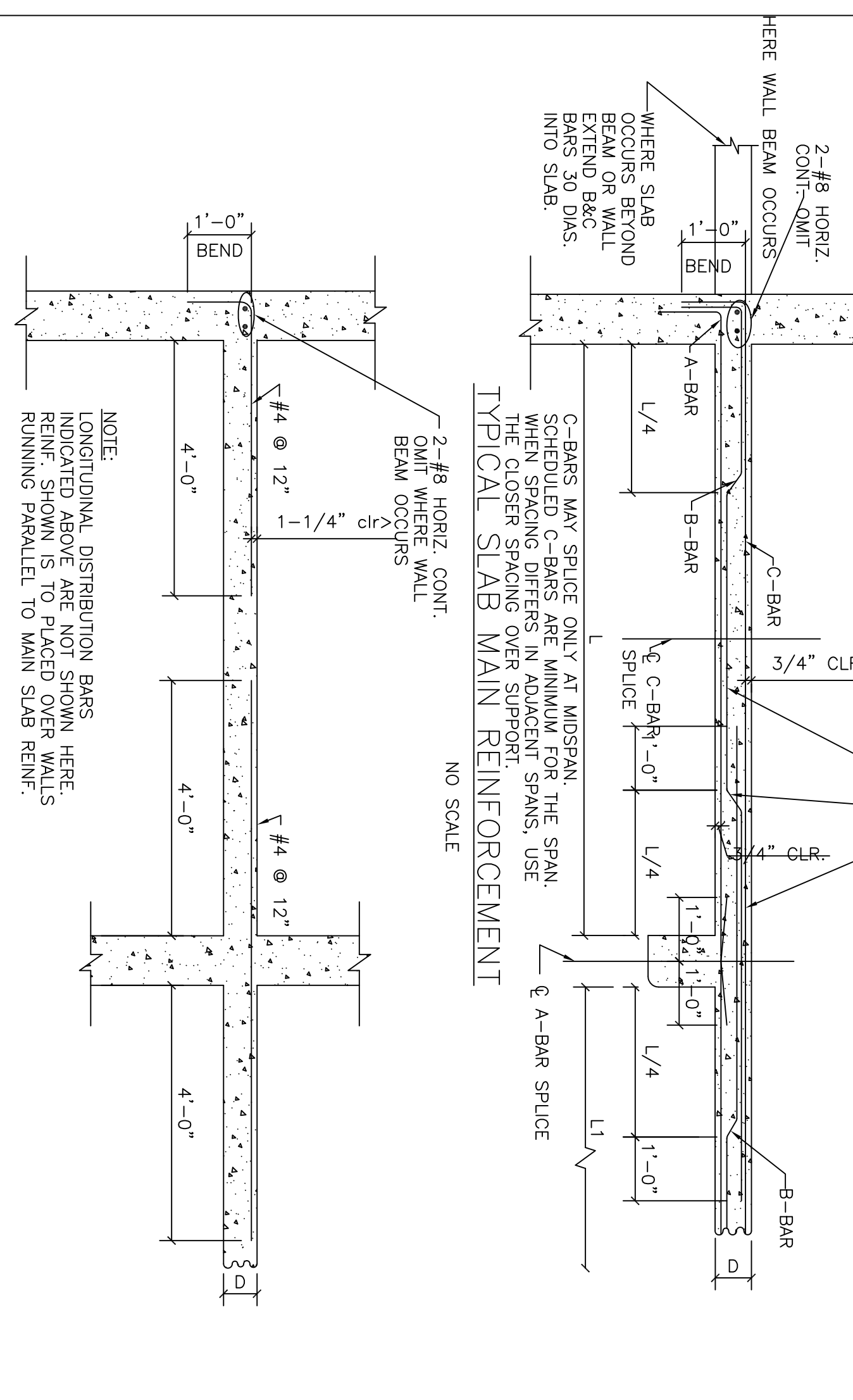


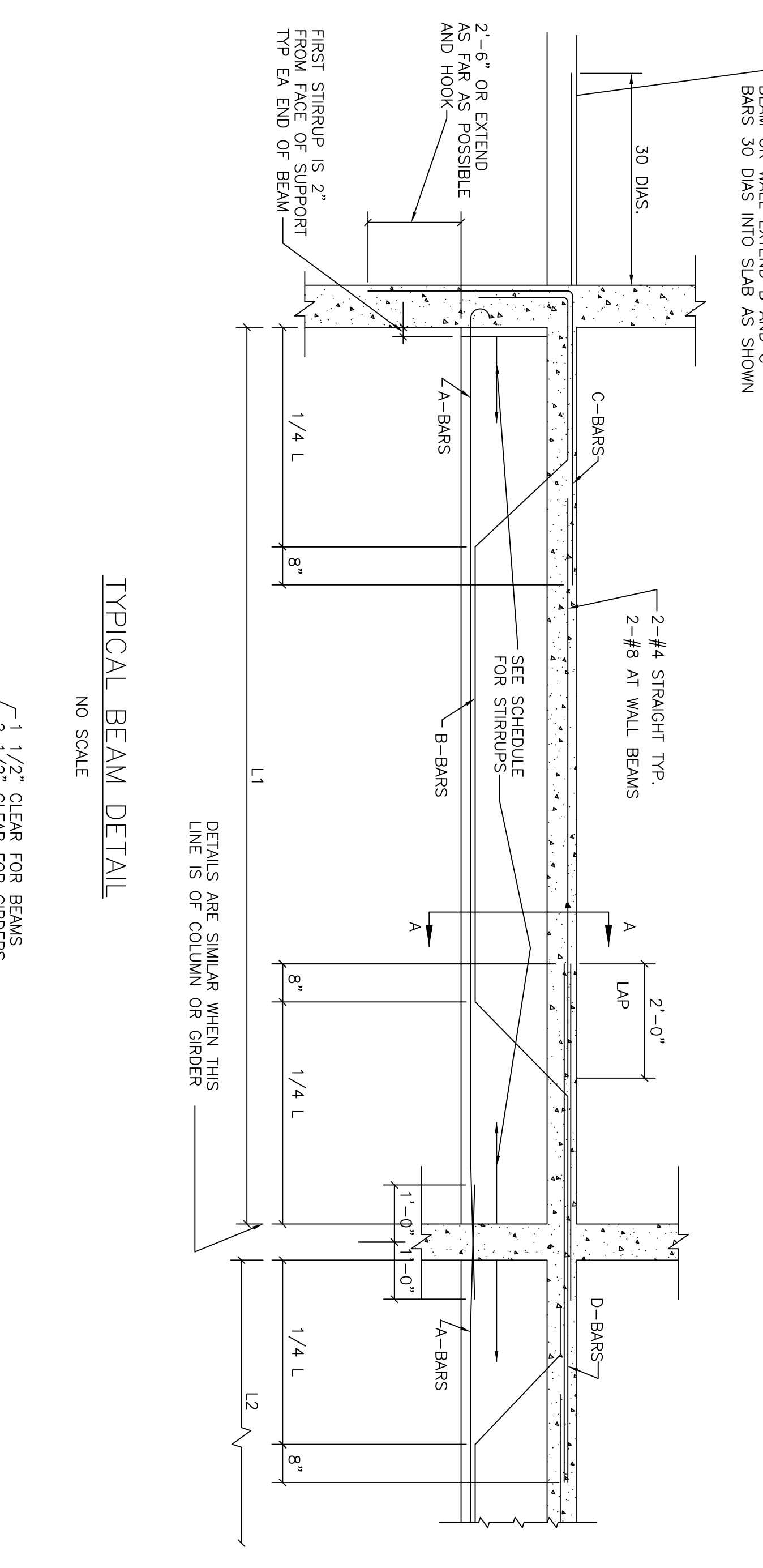
ALL LONGITUDINAL DISTRIBUTION BARS IN ONE-WAY SLABS AS SHOWN, BUT SHALL NOT BE SPACED AT A GREATER DISTANCE THAN 18" IN ANY CASE.



TYPICAL SLAB REINF. NORMAL TO MAIN REINF.

SLAB SCHEDULE

SLAB LOCATION	NO. BARS	SIZE	SPACING	REMARKS
WINGS 151	50	#4	10"	
WINGS 251	50	#4	10"	
WINGS 252	100	#4	5"	
WINGS 253	50	#4	10"	DEPRESSED SLAB - SEE SECTION F-52 & F-54
OFFICE BLDG. R23	20	#4	18"	
OFFICE BLDG. R24	20	#4	18"	



TYPICAL BEAM DETAIL

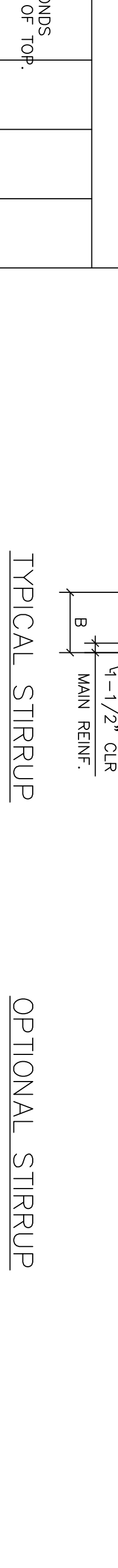
NOTE: LONGITUDINAL DISTRIBUTION BARS IN ONE-WAY SLABS AS SHOWN, BUT SHALL NOT BE SPACED AT A GREATER DISTANCE THAN 18" IN ANY CASE.

NOTE: LONGITUDINAL DISTRIBUTION BARS IN ONE-WAY SLABS AS SHOWN, BUT SHALL NOT BE SPACED AT A GREATER DISTANCE THAN 18" IN ANY CASE.

NOTE: LONGITUDINAL DISTRIBUTION BARS IN ONE-WAY SLABS AS SHOWN, BUT SHALL NOT BE SPACED AT A GREATER DISTANCE THAN 18" IN ANY CASE.

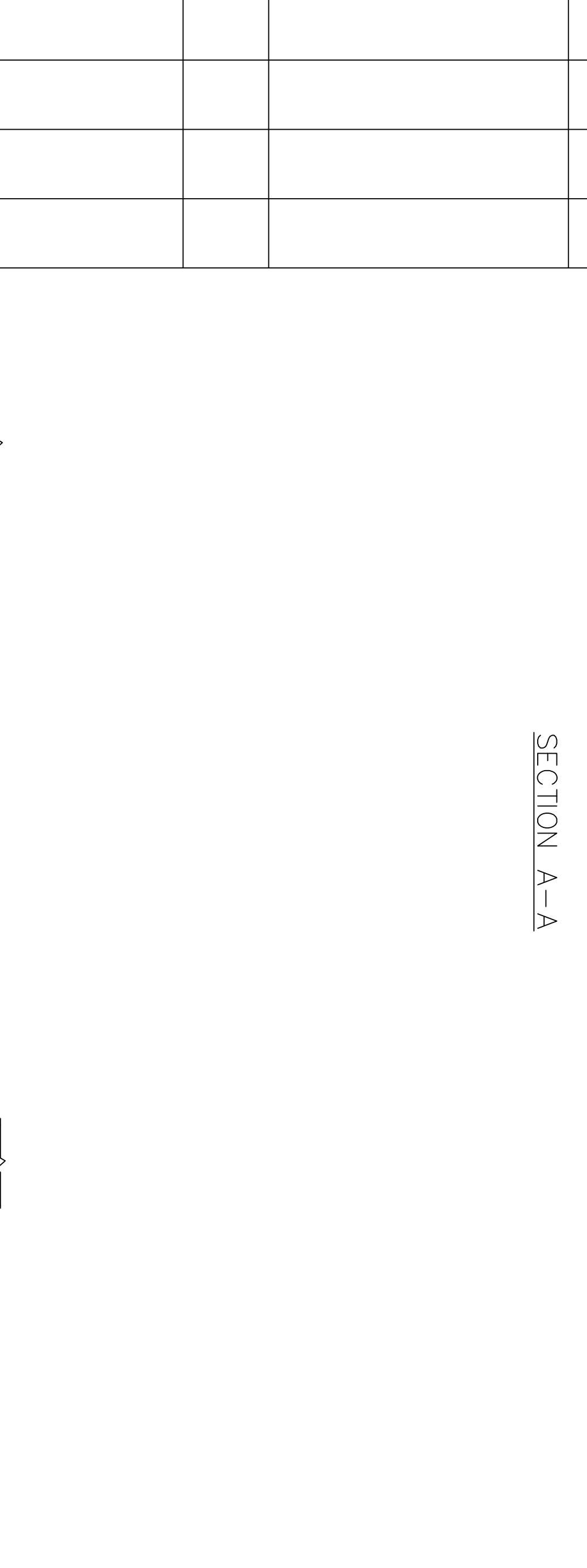
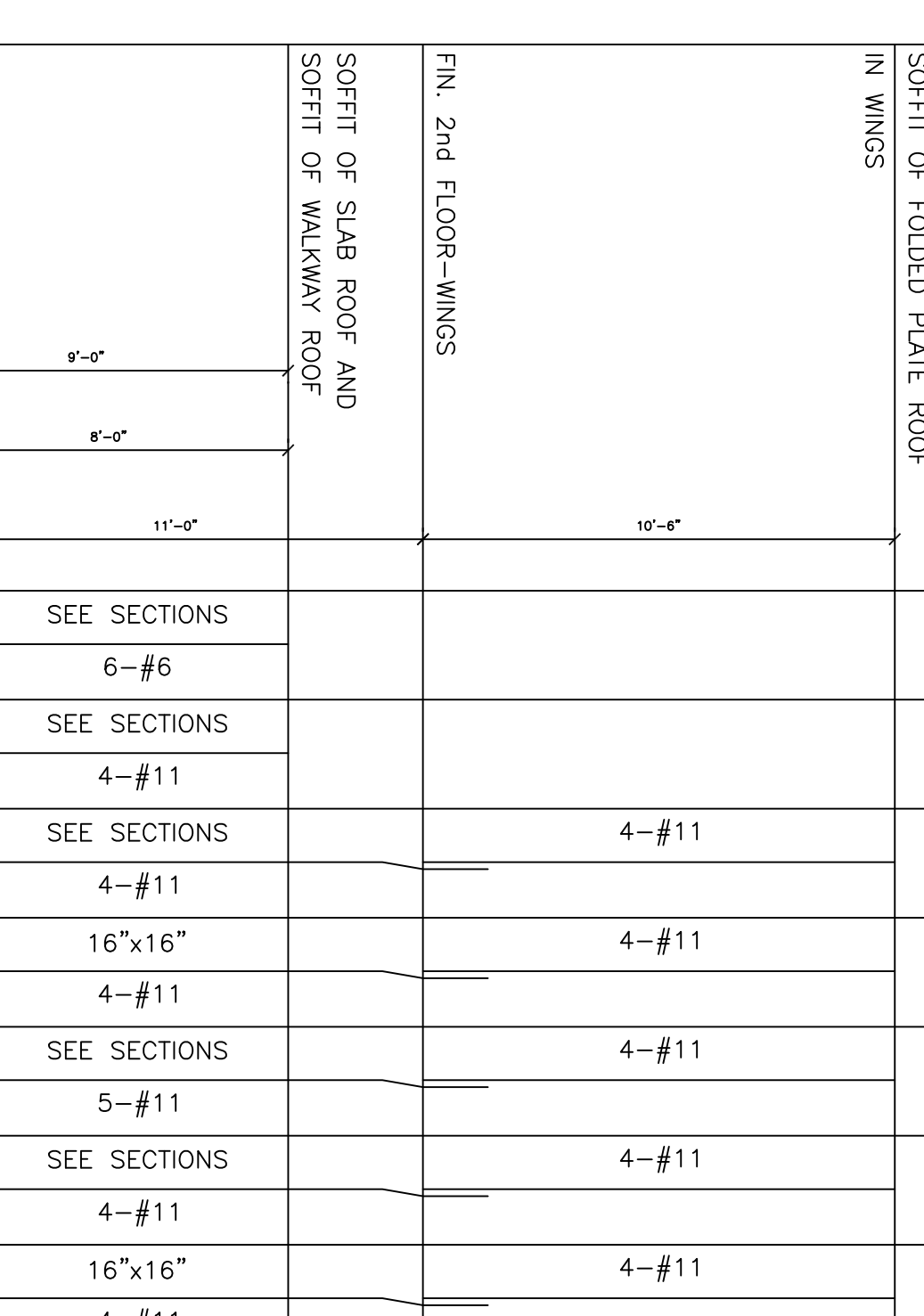
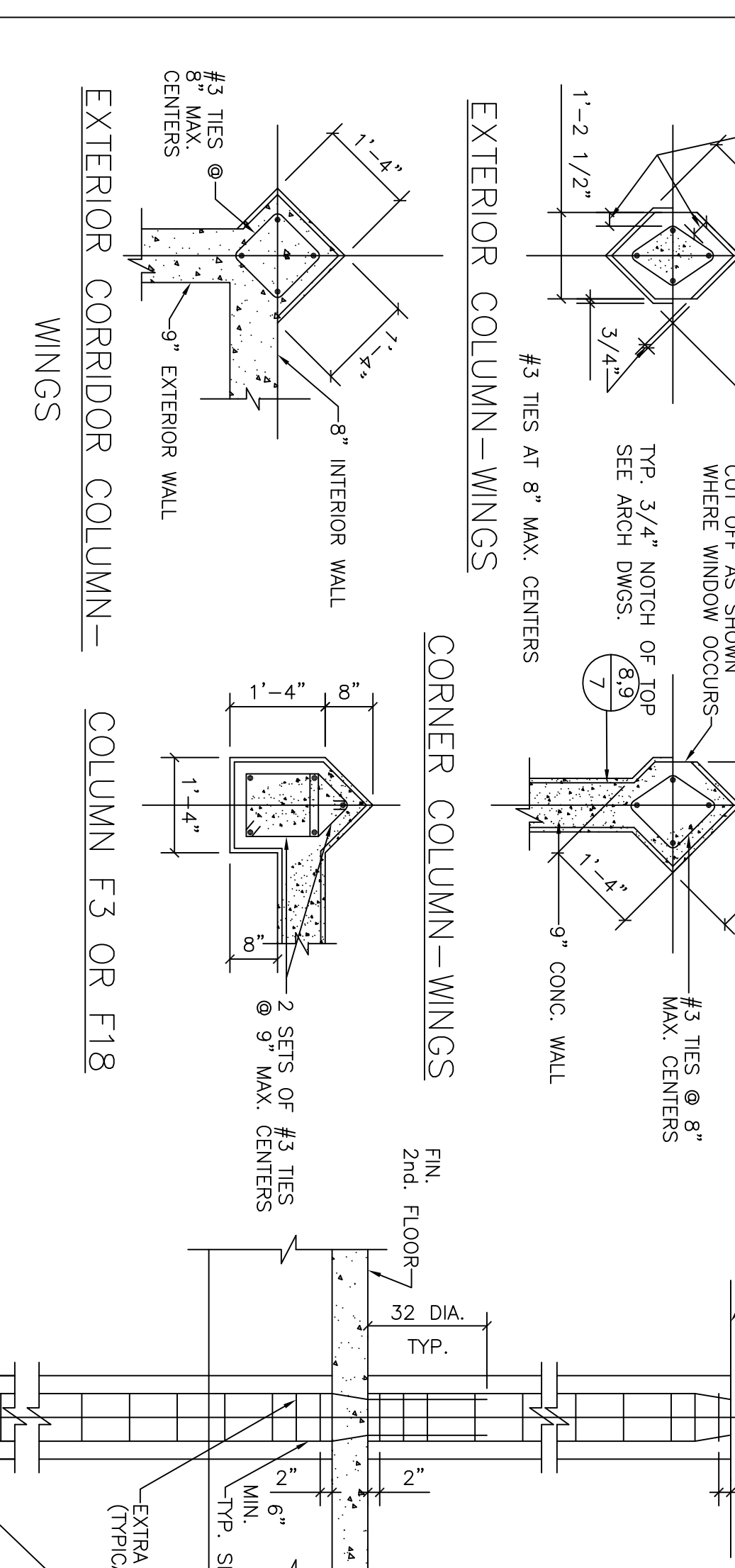
COLUMN SCHEDULE

LOCATION	NO. BARS	SIZE	SPACING	REMARKS
FIN. 2ND FLOOR-WINGS	4	#11	16"	
SOFT OF SLAB ROOF AND SOFT OF WALKWAY ROOF	4	#11	16"	
FIN. 1ST FLOOR-WINGS	4	#11	16"	
SOFT OF SLAB ROOF AND SOFT OF WALKWAY ROOF	4	#11	16"	



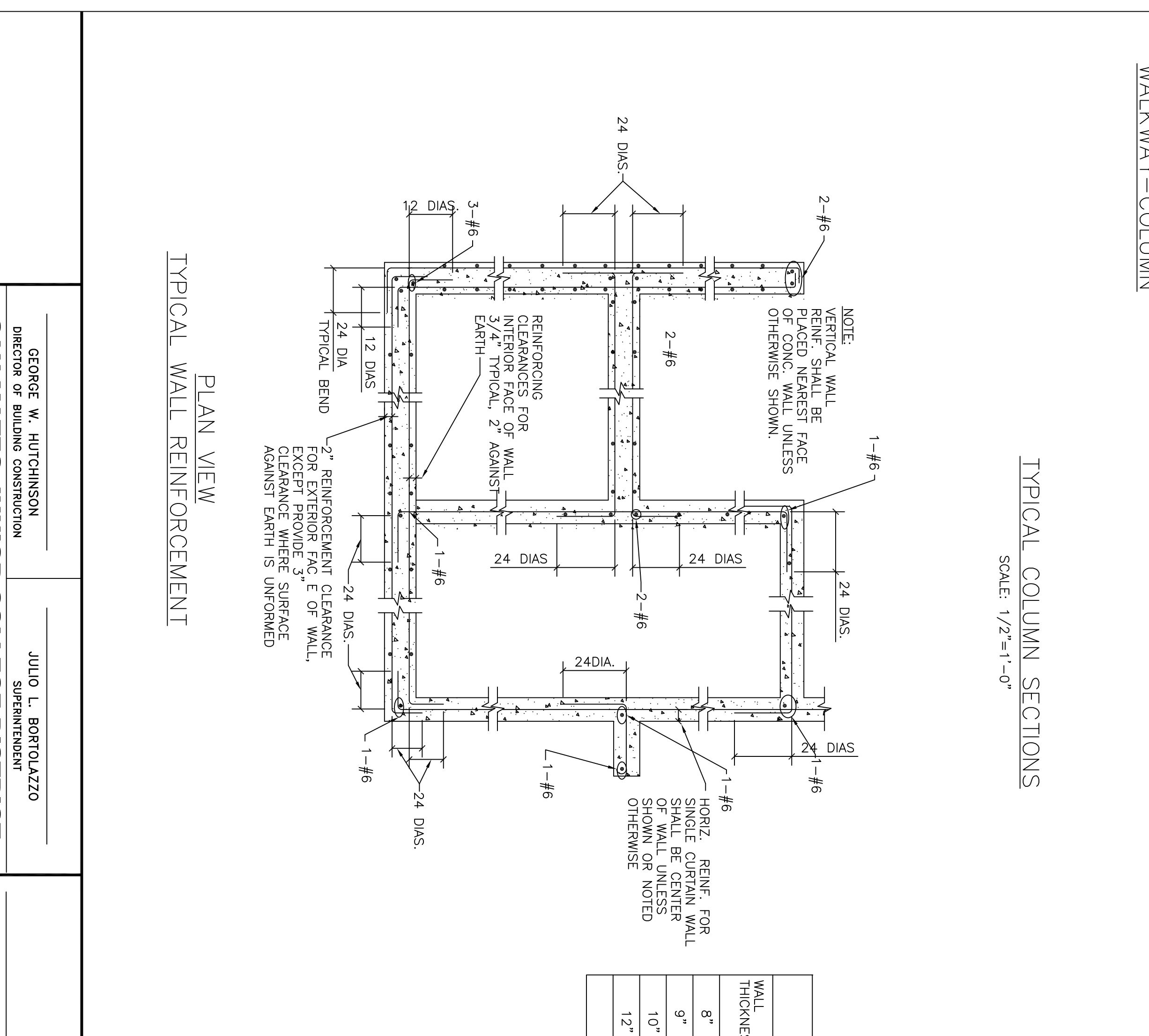
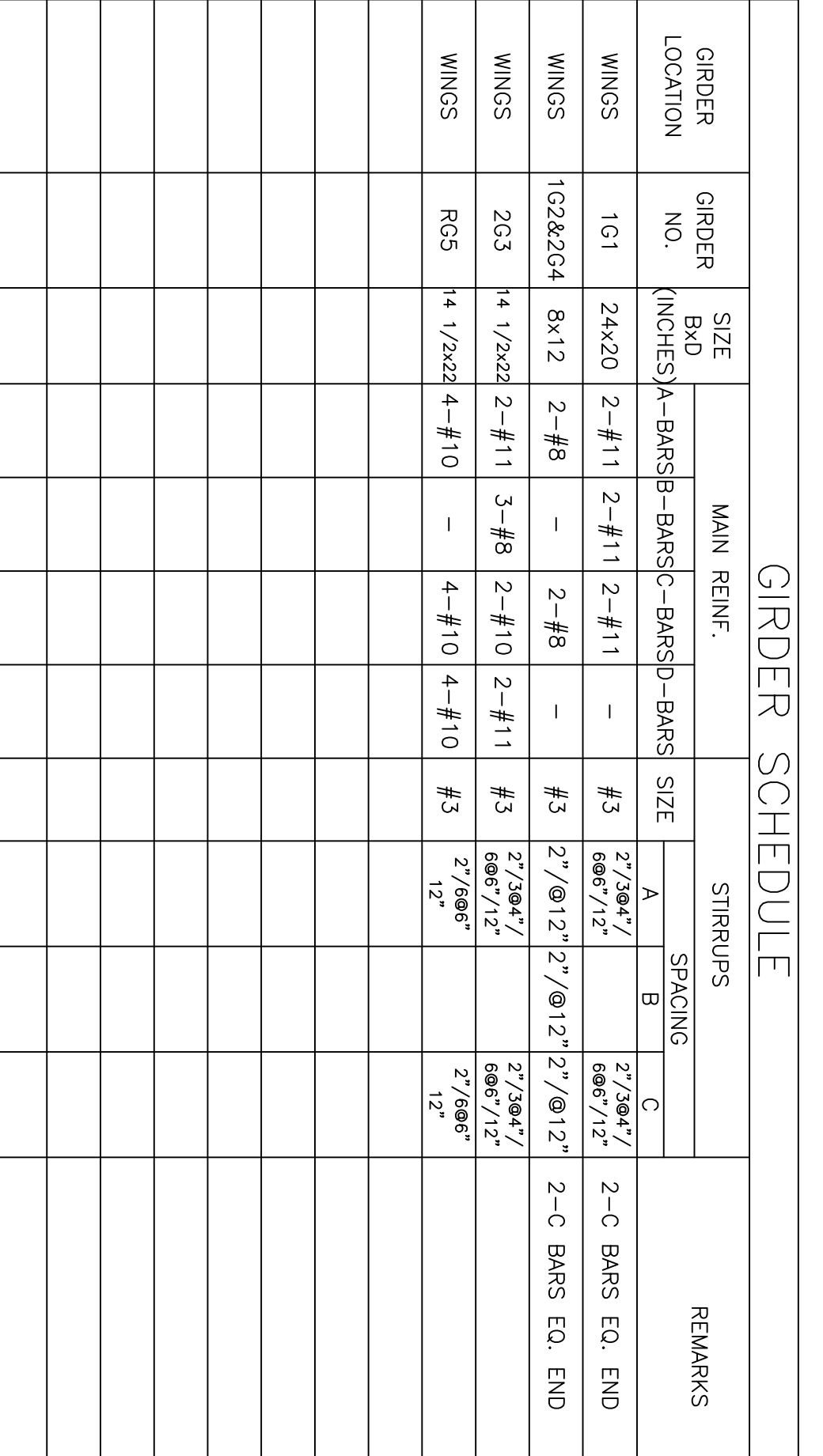
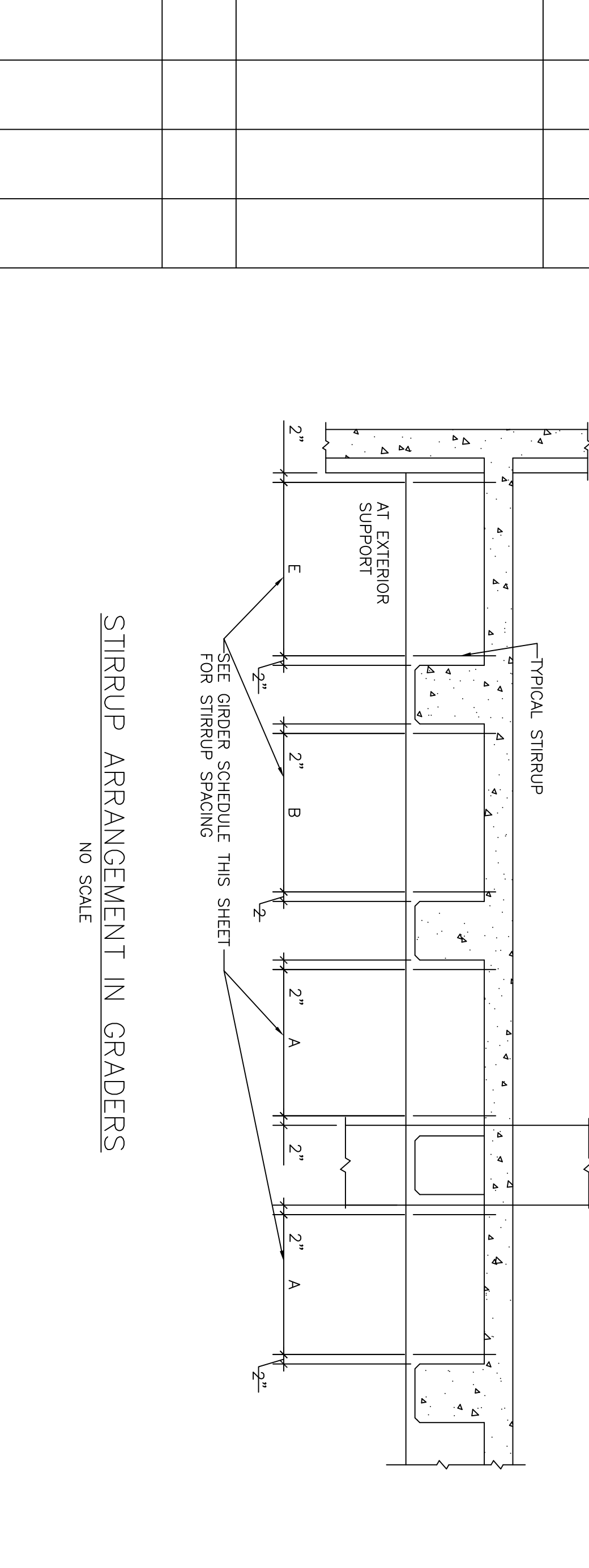
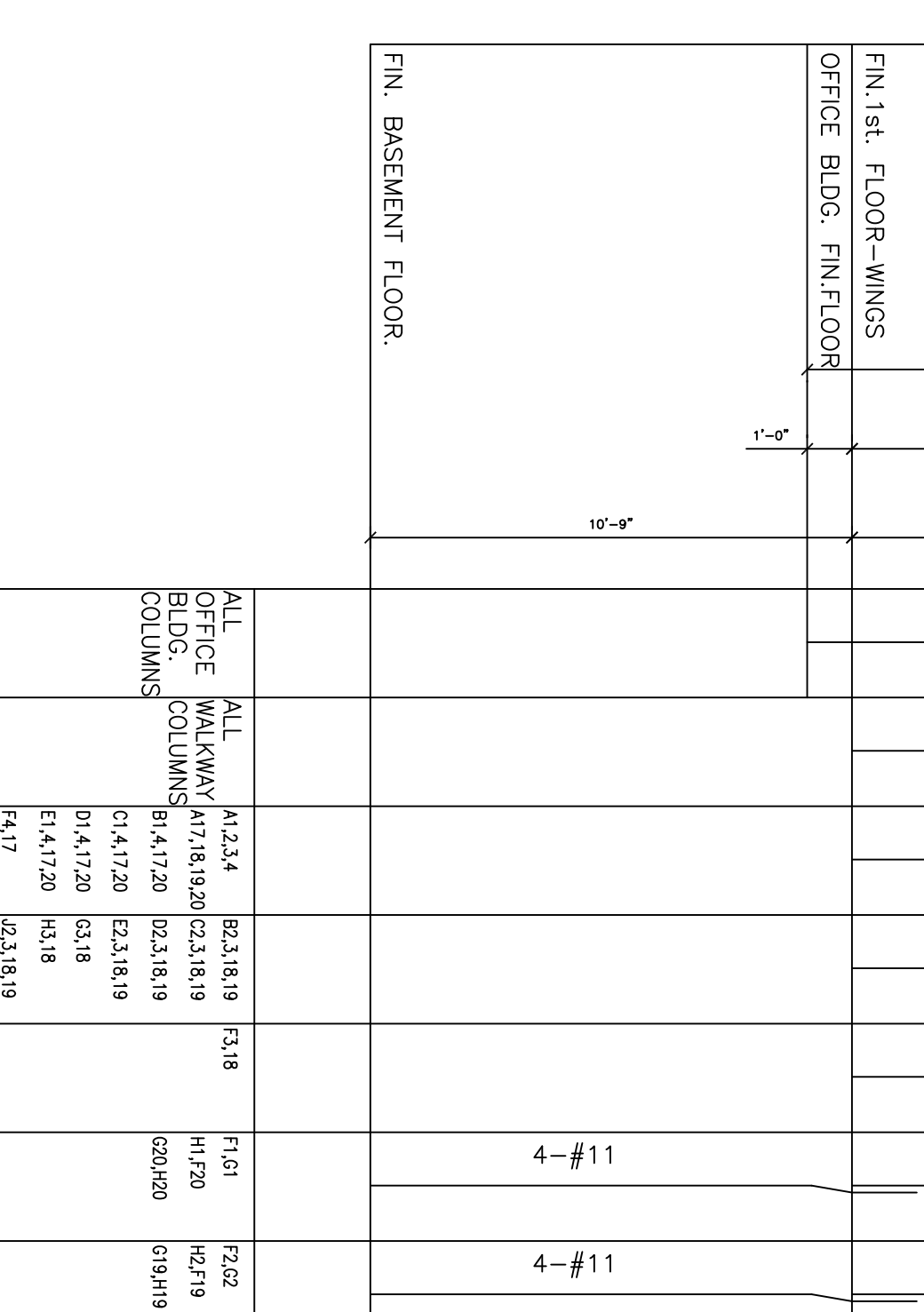
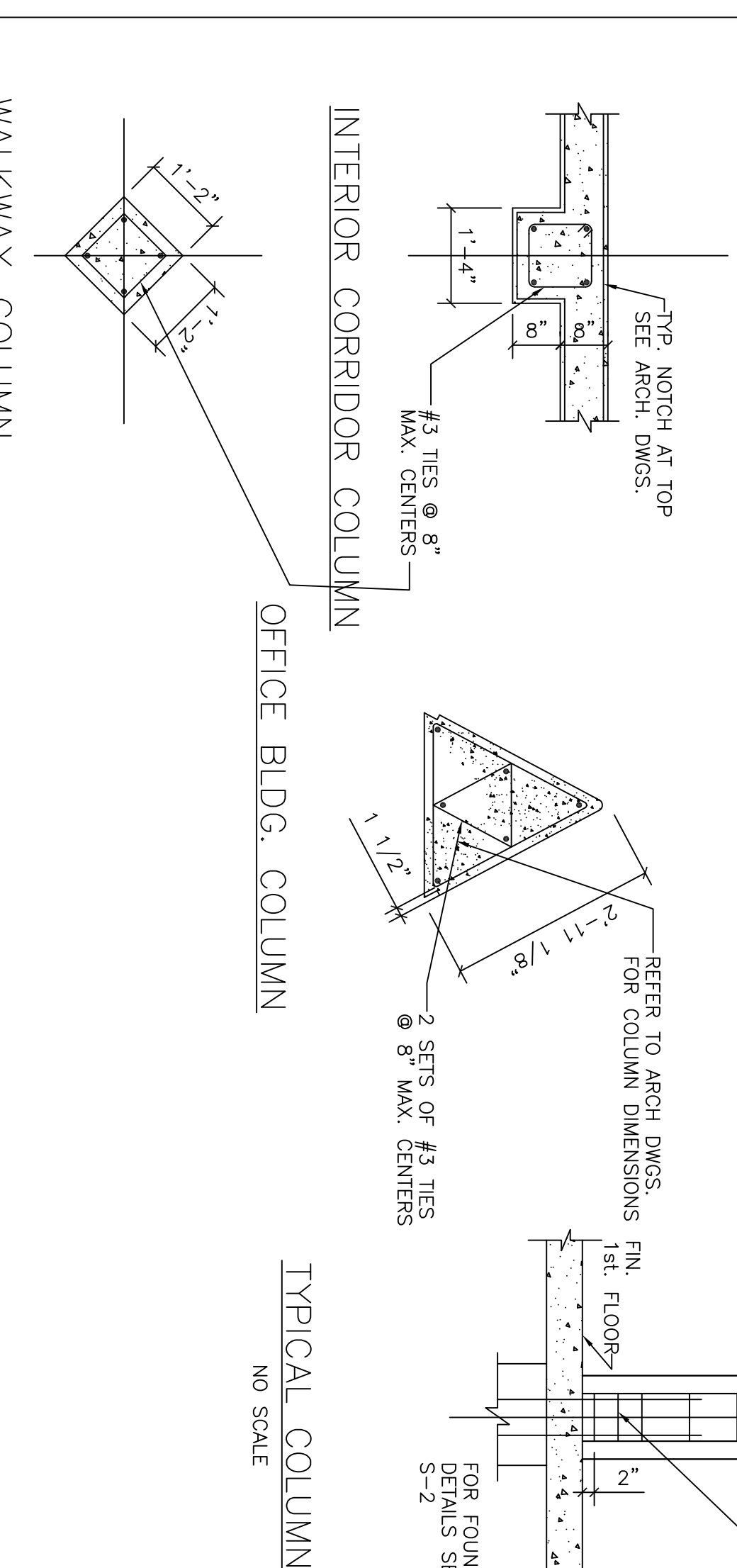
TYPICAL STRIPUP SECTION A-A

NOTE: LONGITUDINAL DISTRIBUTION BARS IN ONE-WAY SLABS AS SHOWN, BUT SHALL NOT BE SPACED AT A GREATER DISTANCE THAN 18" IN ANY CASE.



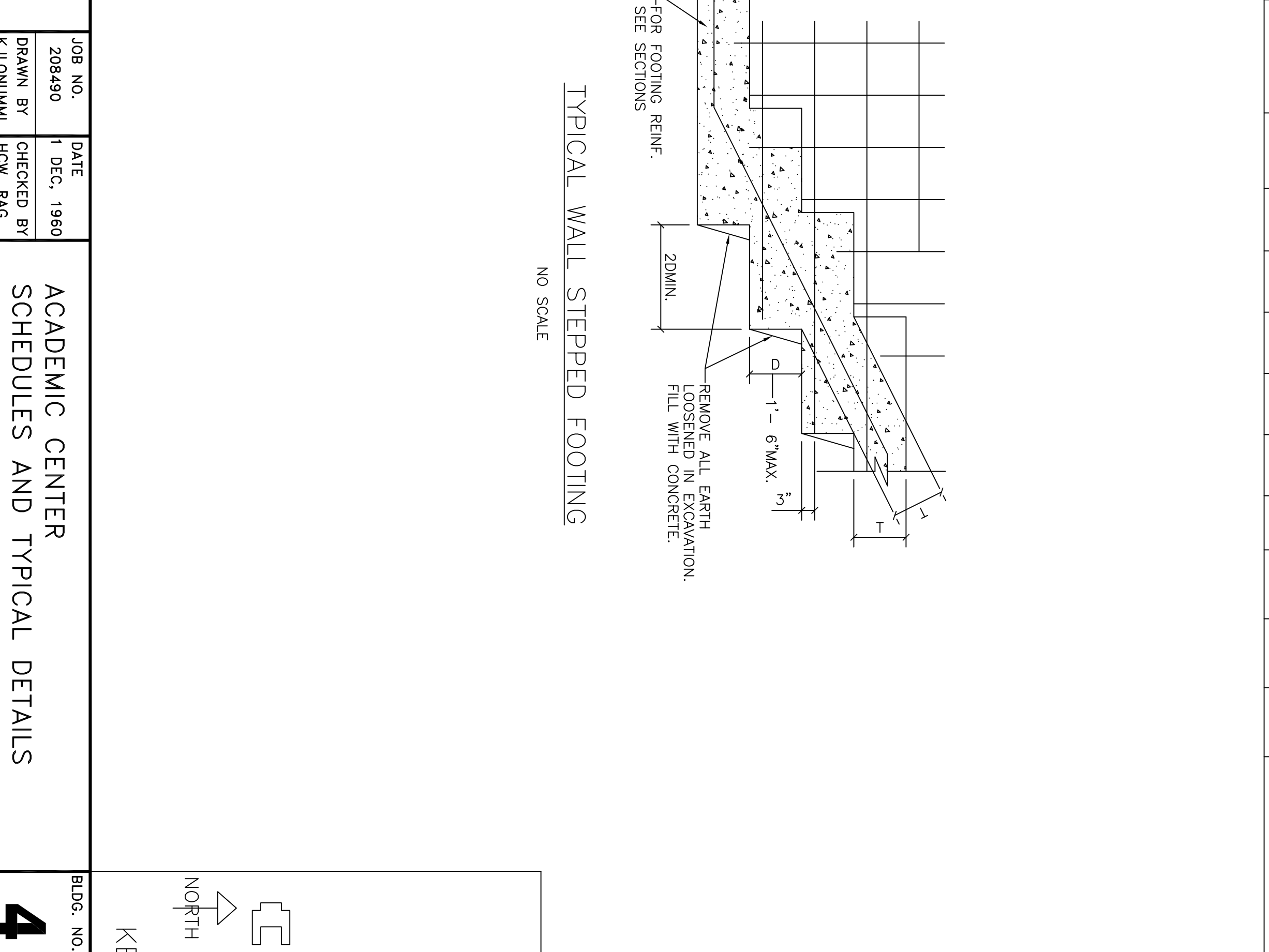
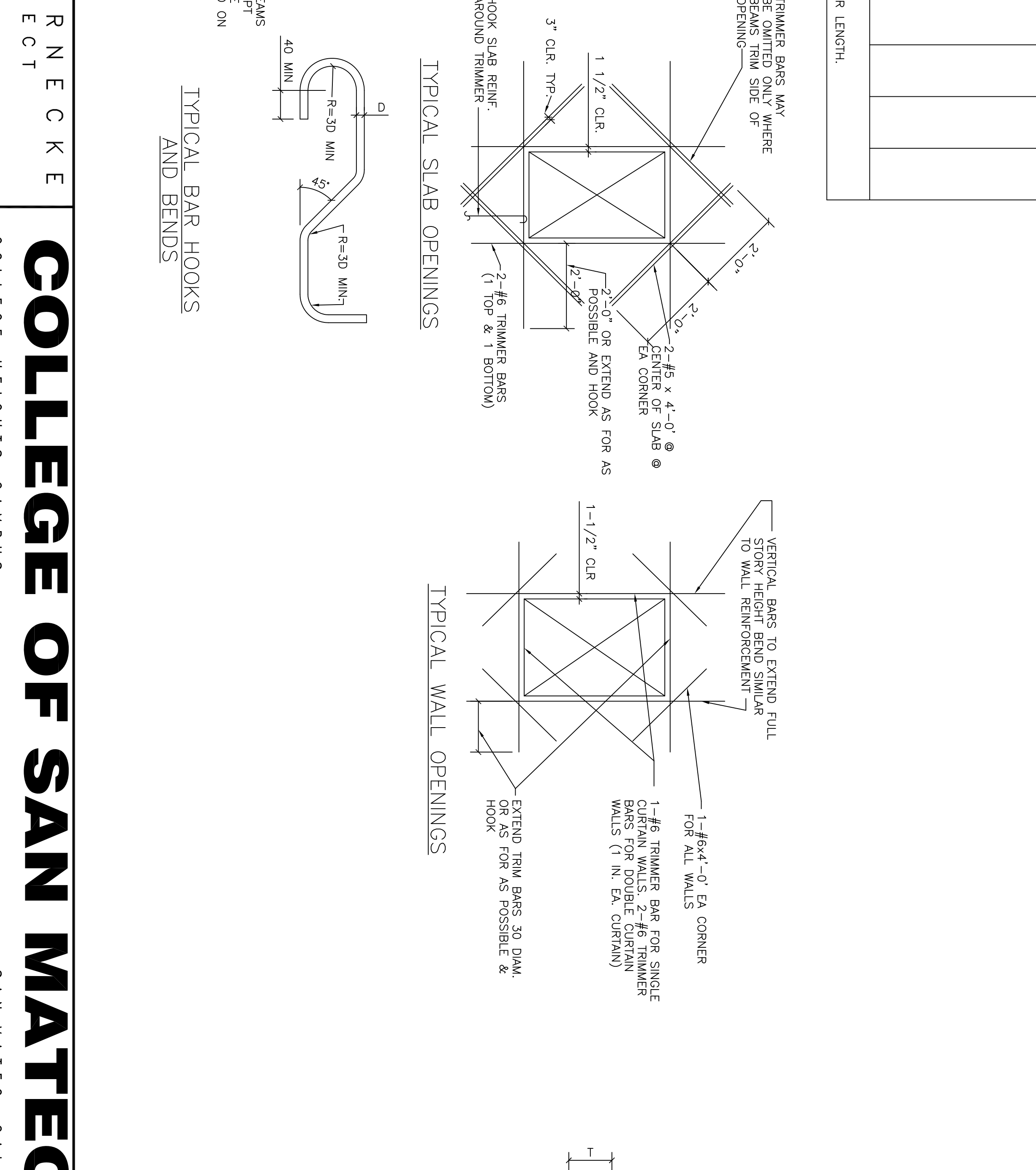
GIRDER SCHEDULE

GIRDER LOCATION	SIZE (INCHES)	MAIN REINF.	STIRRUPS	REMARKS
WINGS 101	24x20	2-#11 2-#11	#3 2'7"/2'7"	2-C BARS EQ. END
WINGS 102&104	8x12	2-#8 - 2-#8	#3 2'7"/2'7"	2-C BARS EQ. END
WINGS 203	14 1/2x24	2-#11 3-#8 2-#10 2-#11	#3 2'7"/2'7"	
WINGS R03	14 1/2x24	4-#10 4-#10	#3 2'7"/2'7"	



WALL REINFORCEMENT

WALL THICKNESS	HORIZONTAL	VERTICAL	REMARKS
8"	#4	#4	DOUBLE CURTAIN
10"	#4	#4	DOUBLE CURTAIN
12"	#4	#4	DOUBLE CURTAIN



JOHN A. BLUM & ASSOC. ENGINEERS
STRUCTURAL ENGINEERS
1111 CALIFORNIA STREET, SUITE 200
SAN FRANCISCO, CALIF. 94109

JOHN L. BERTOLAZZO
ARCHITECT
1111 NEW MONTGOMERY ST., SAN FRANCISCO, CALIF. 94109

JOHN A. BLUM & ASSOC. ENGINEERS
STRUCTURAL ENGINEERS
1111 CALIFORNIA STREET, SUITE 200
SAN FRANCISCO, CALIF. 94109

JOHN A. BLUM & ASSOC. ENGINEERS
STRUCTURAL ENGINEERS
1111 CALIFORNIA STREET, SUITE 200
SAN FRANCISCO, CALIF. 94109

JOHN A. BLUM & ASSOC. ENGINEERS
STRUCTURAL ENGINEERS
1111 CALIFORNIA STREET, SUITE 200
SAN FRANCISCO, CALIF. 94109

JOHN A. BLUM & ASSOC. ENGINEERS
STRUCTURAL ENGINEERS
1111 CALIFORNIA STREET, SUITE 200
SAN FRANCISCO, CALIF. 94109

JOHN A. BLUM & ASSOC. ENGINEERS
STRUCTURAL ENGINEERS
1111 CALIFORNIA STREET, SUITE 200
SAN FRANCISCO, CALIF. 94109

JOHN A. BLUM & ASSOC. ENGINEERS
STRUCTURAL ENGINEERS
1111 CALIFORNIA STREET, SUITE 200
SAN FRANCISCO, CALIF. 94109

JOHN A. BLUM & ASSOC. ENGINEERS
STRUCTURAL ENGINEERS
1111 CALIFORNIA STREET, SUITE 200
SAN FRANCISCO, CALIF. 94109

JOHN A. BLUM & ASSOC. ENGINEERS
STRUCTURAL ENGINEERS
1111 CALIFORNIA STREET, SUITE 200
SAN FRANCISCO, CALIF. 94109