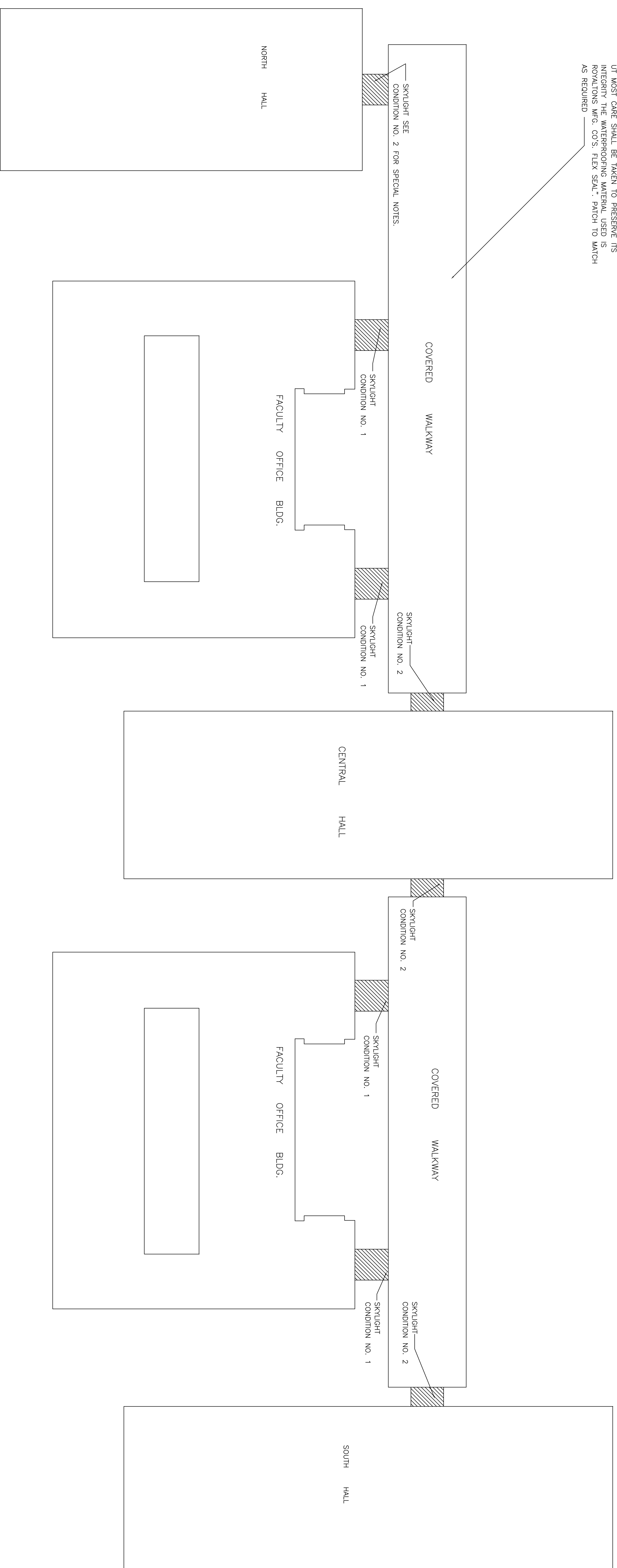
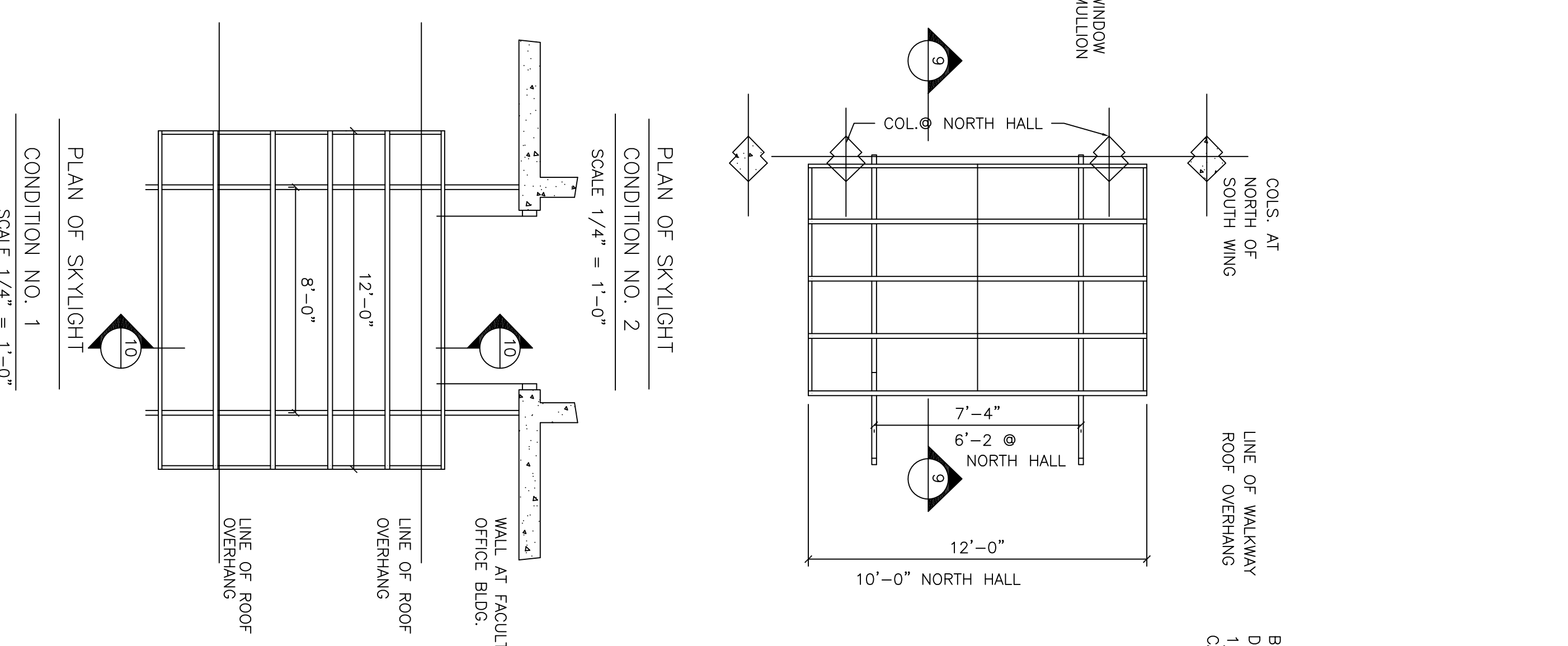


NOTE:
WATER PROOFING ON OF THIS WALKWAY IS FRAGILE.
UT MOST CARE SHALL BE TAKEN TO PRESERVE ITS
PROPERTIES. REPAIRS AND PATCHES TO MATCH
AS REQUIRED.

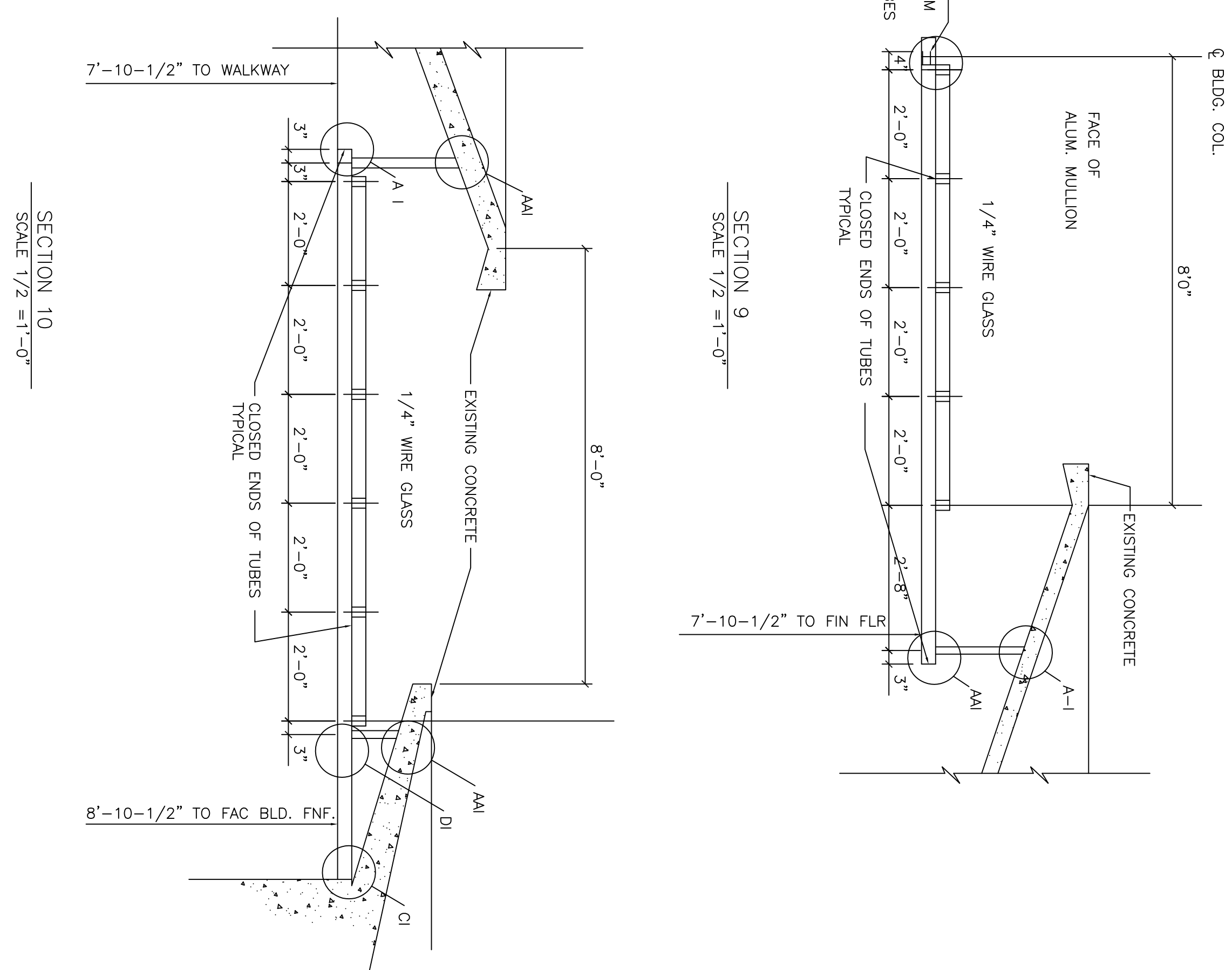


SKYLIGHT LOCATION PLAN
SCALE 1" = 20'-0"



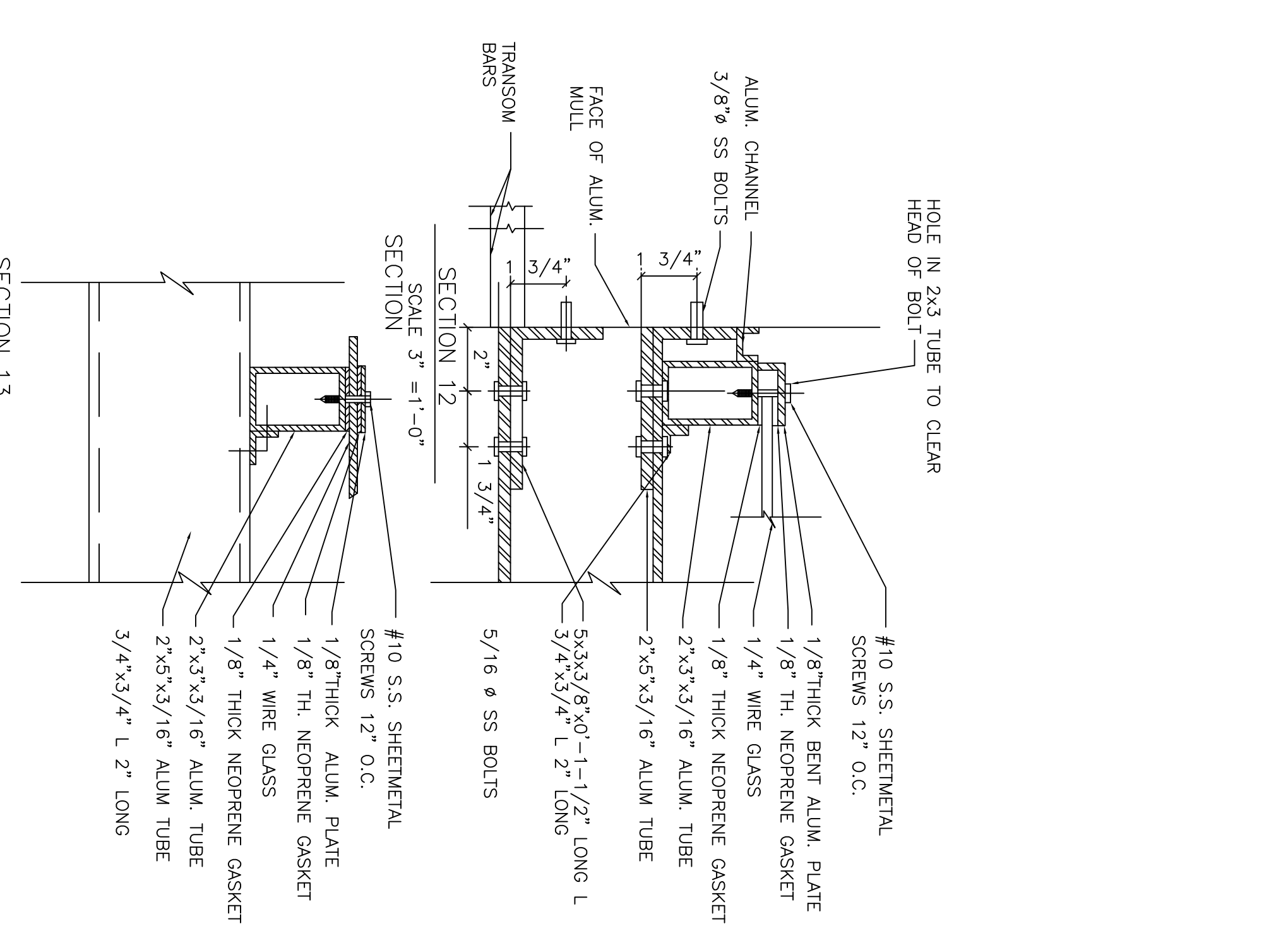
PLAN OF SKYLIGHT
CONDITION NO. 2
SCALE 1/4" = 1'-0"

PLAN OF SKYLIGHT
CONDITION NO. 1
SCALE 1/2" = 1'-0"



SECTION 9
SCALE 1/2" = 1'-0"

SECTION 10
SCALE 1/2" = 1'-0"

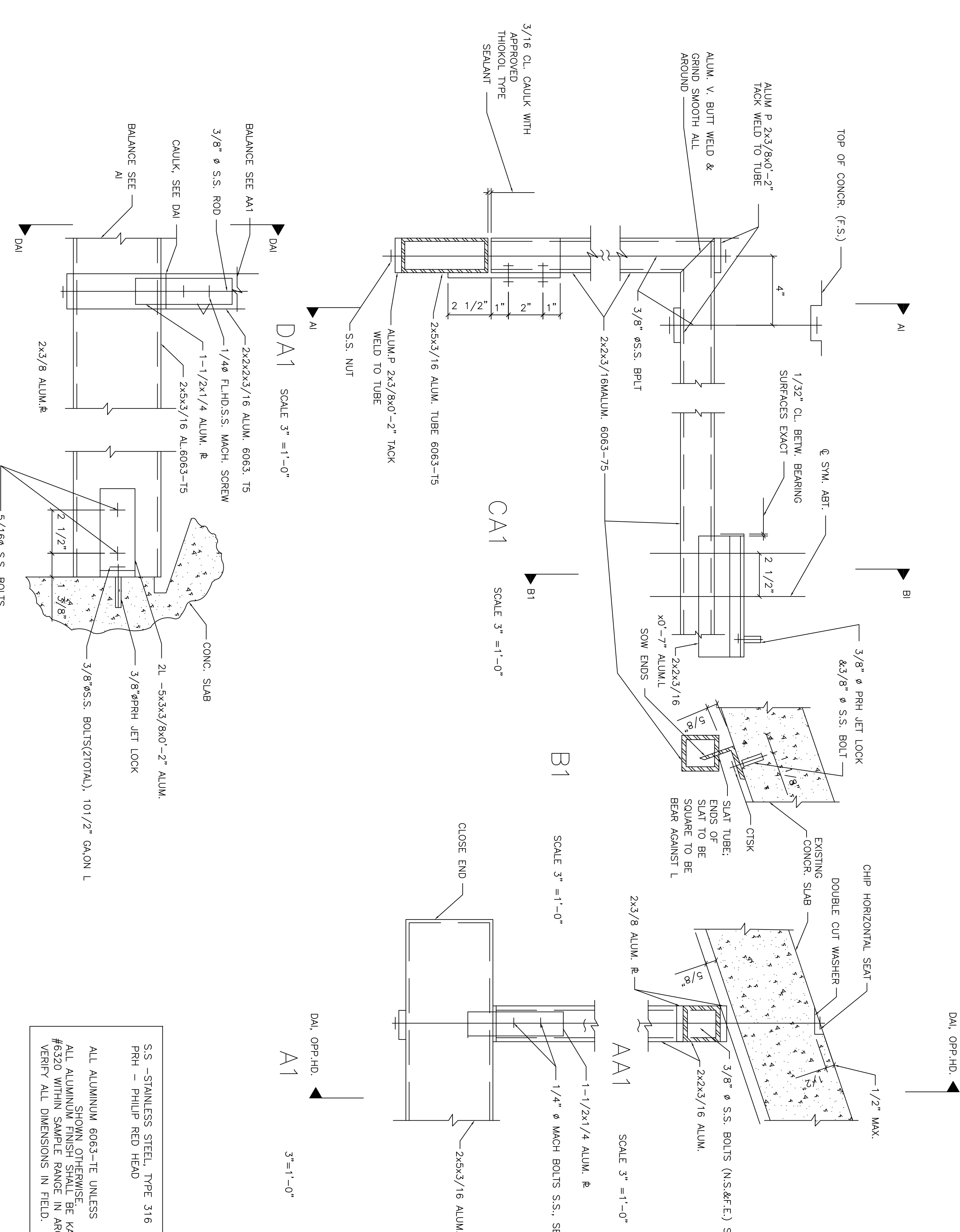


SECTION 11
SCALE 3/8" = 1'-0"

SECTION 12
SCALE 3/8" = 1'-0"

SECTION 13
SCALE 3/8" = 1'-0"

SECTION 14
SCALE FULL



SECTION A1
SCALE 3" = 1'-0"

SECTION B1
SCALE 3" = 1'-0"

SECTION CA1
SCALE 3" = 1'-0"

SECTION D1
SCALE 3" = 1'-0"

SECTION C1
SCALE 3" = 1'-0"

S.S. - STAINLESS STEEL, TYPE 316
PHH - PHENOLIC RED HEAD
ALL ALUMINUM 6063-T5 UNLESS
SPECIFIED OTHERWISE BY MATERIAL
#6320 WITHIN SAMPLE RANGE IN ARCHITECT'S OFFICE
VERIFY ALL DIMENSIONS IN FIELD.