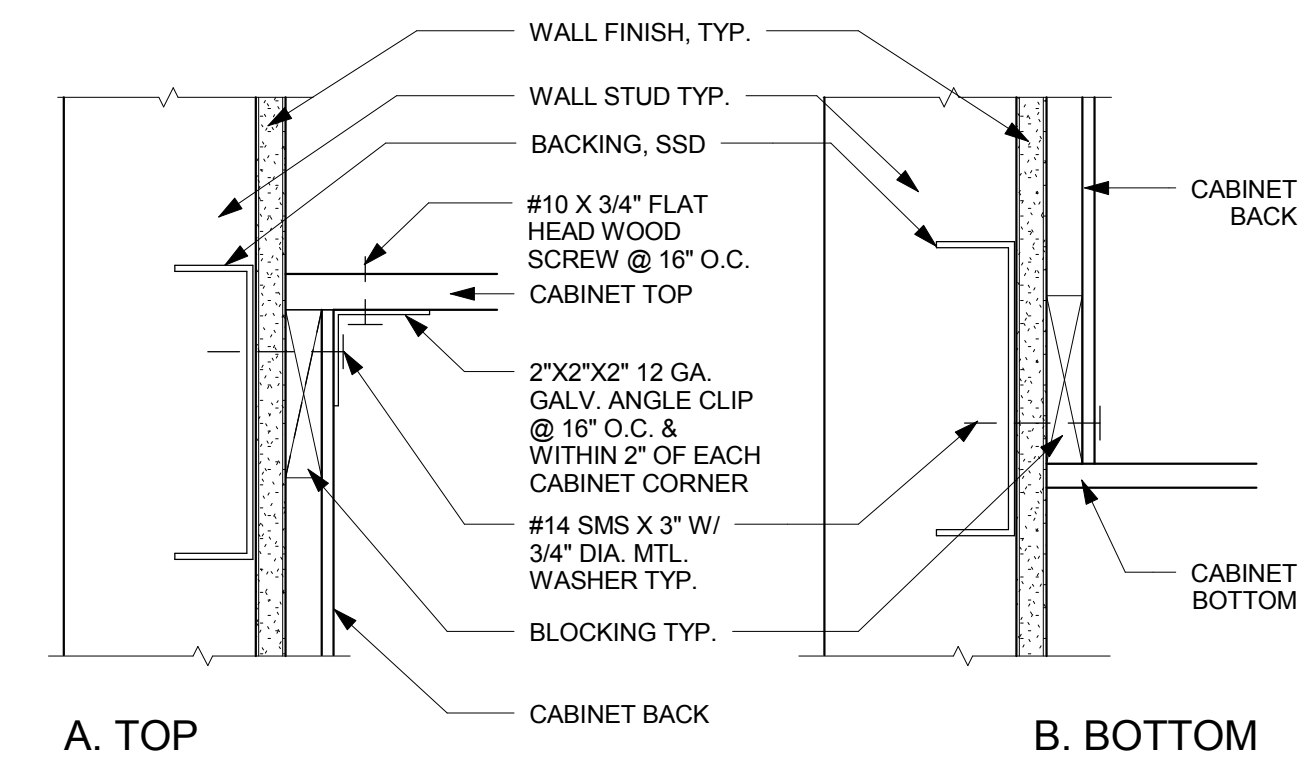
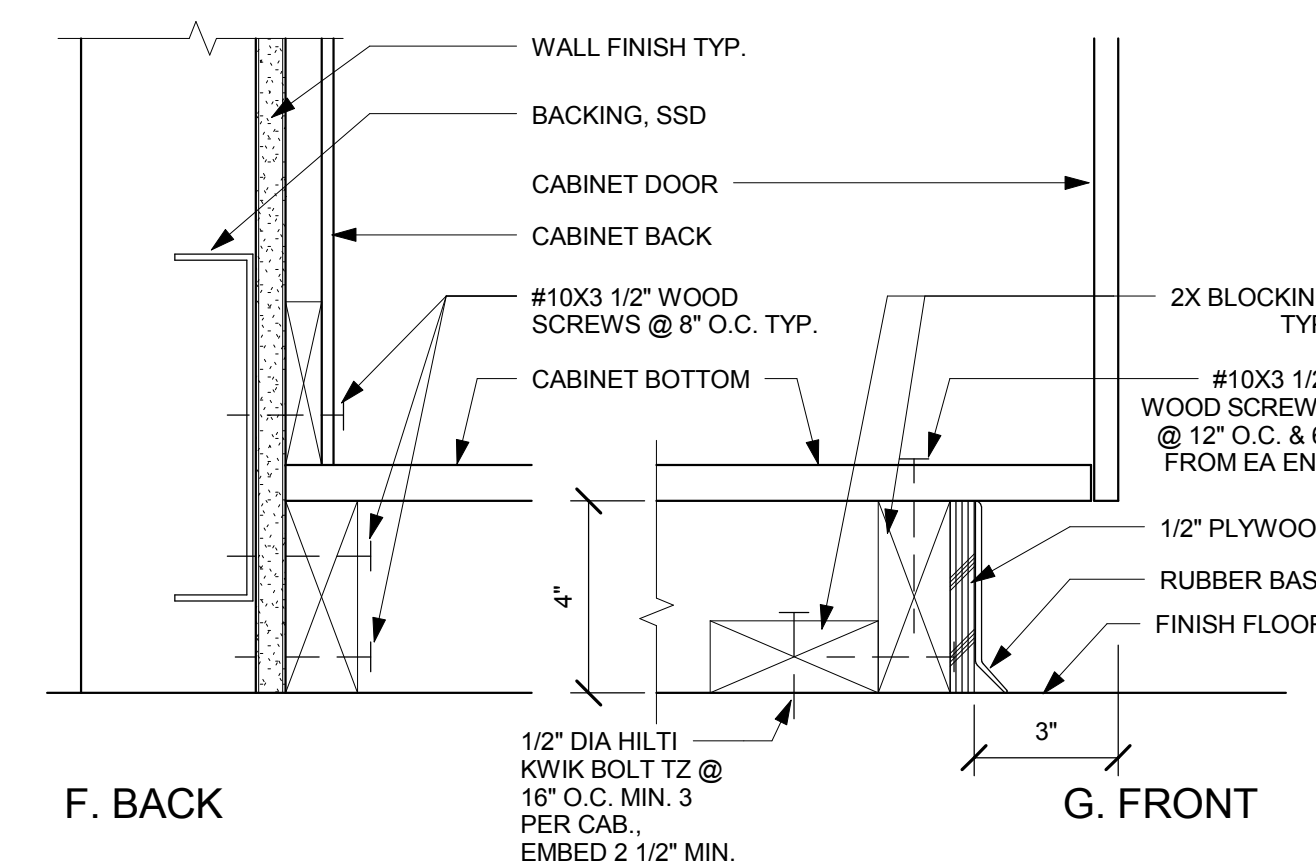
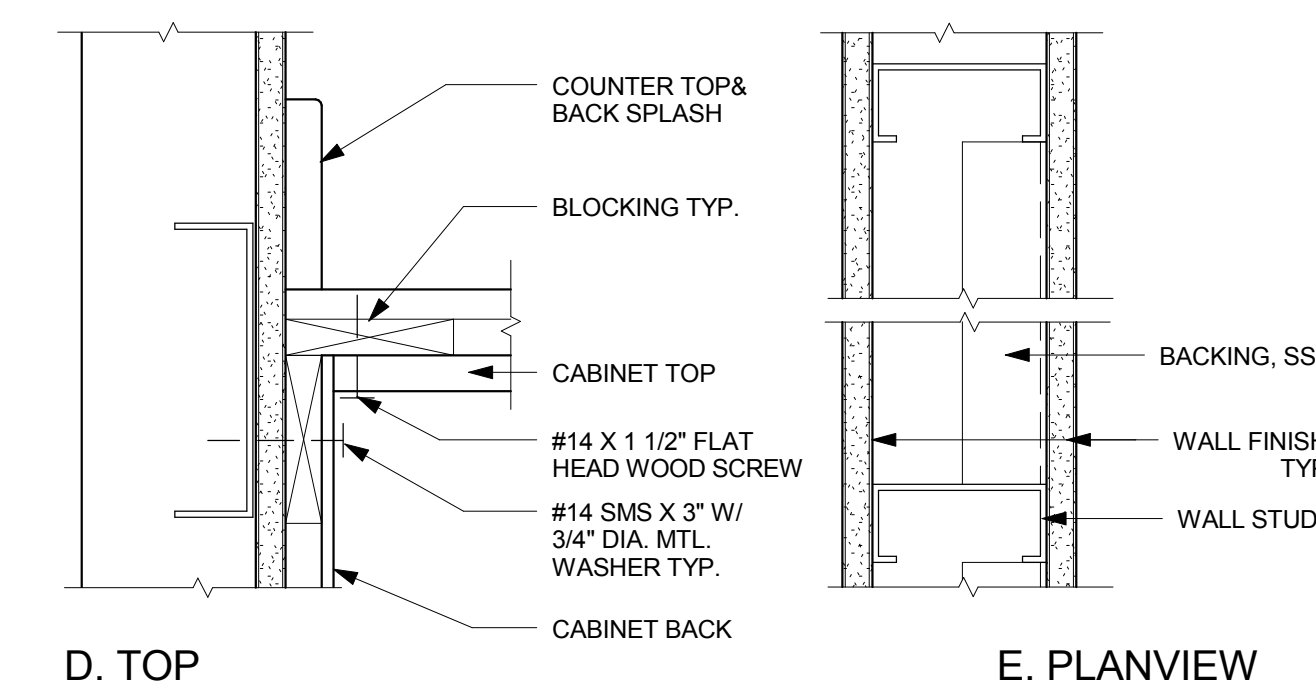


2 EPOXY RESIN COUNTERTOP
3" = 1'-0"



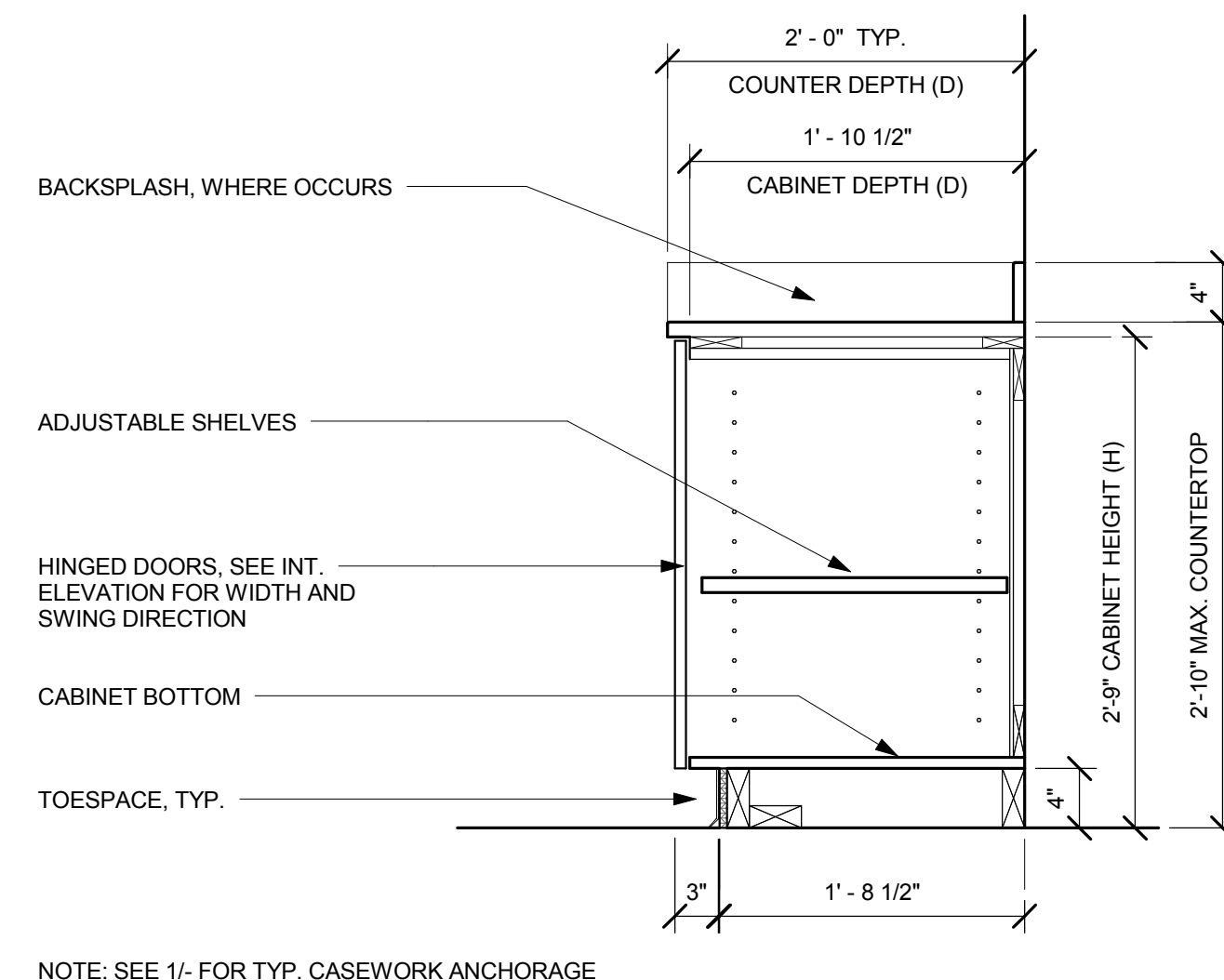
WALL CABINET ANCHORAGE

C. NOT USED

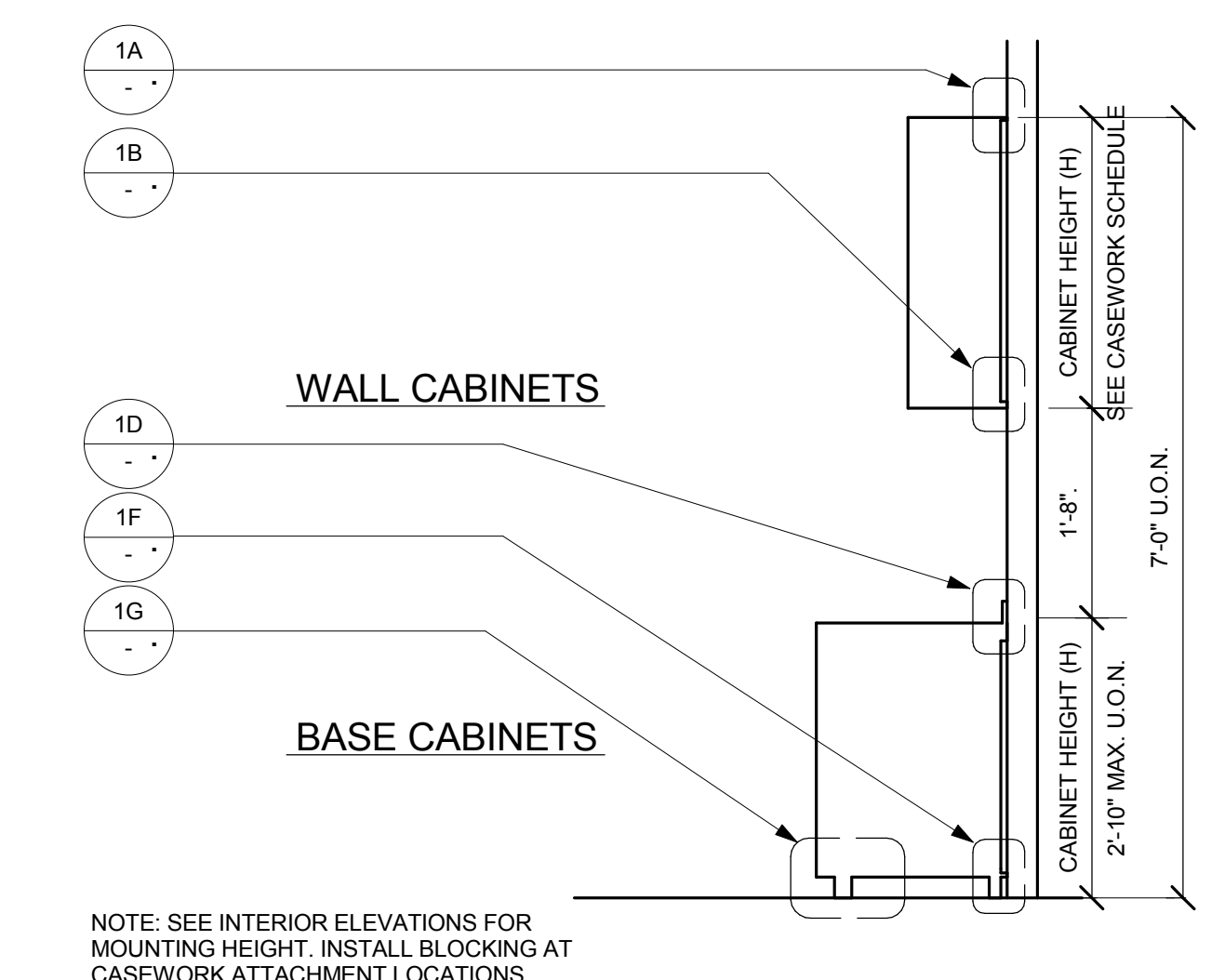


BASE CABINET ANCHORAGE

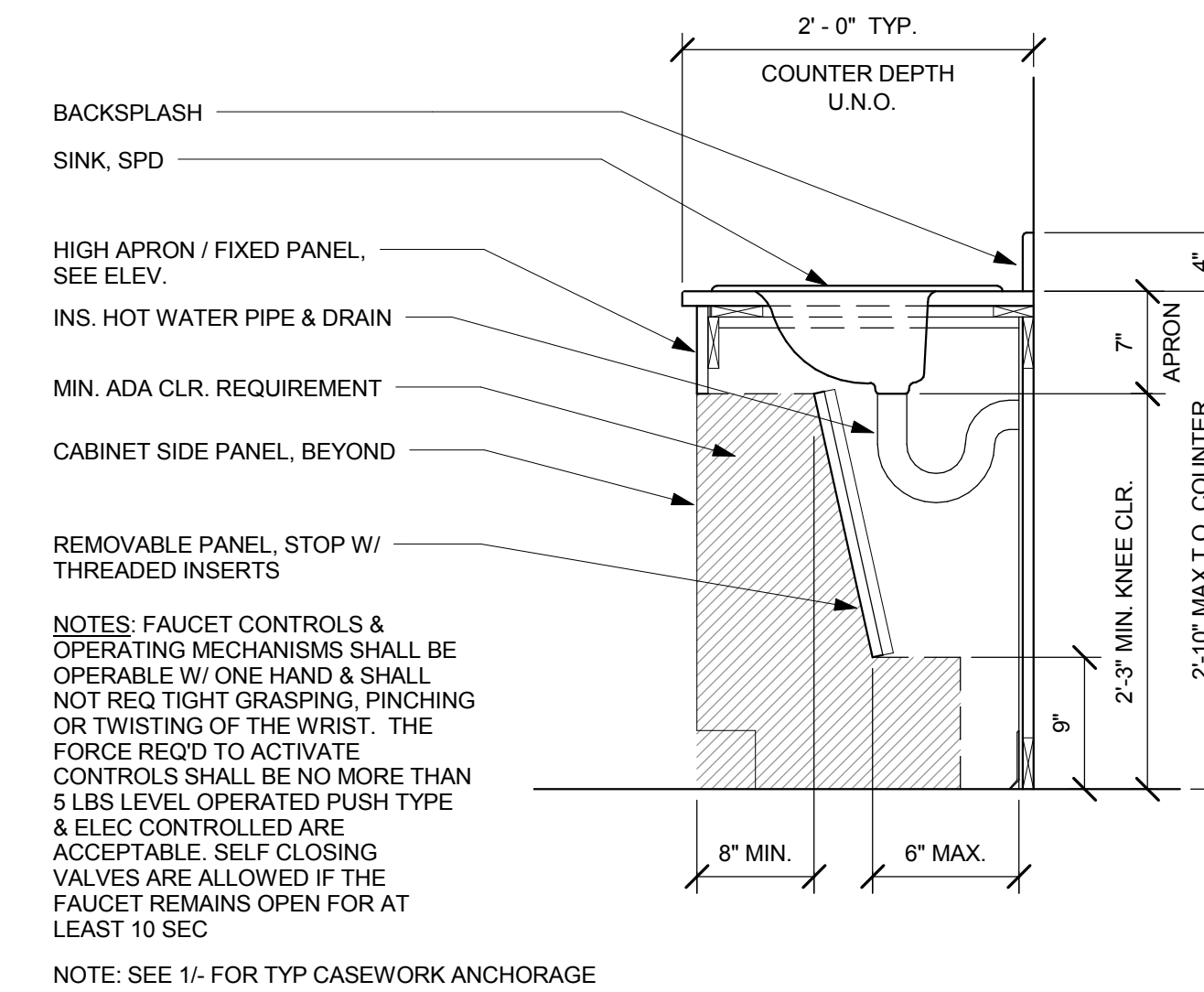
1 TYP. CABINET ANCHORAGE
3" = 1'-0"



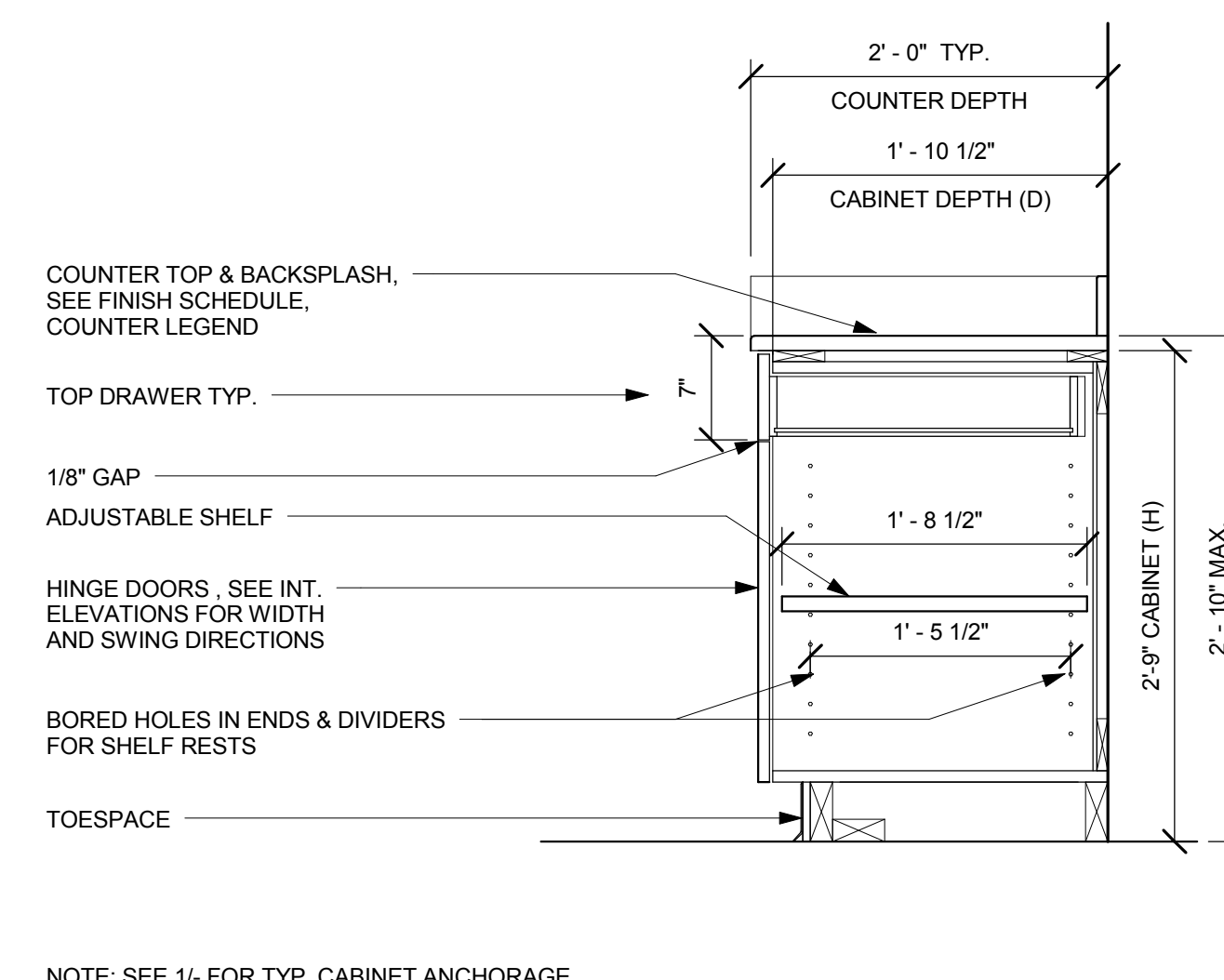
5 TYP. HINGED DOOR BASE CAB.
1" = 1'-0"



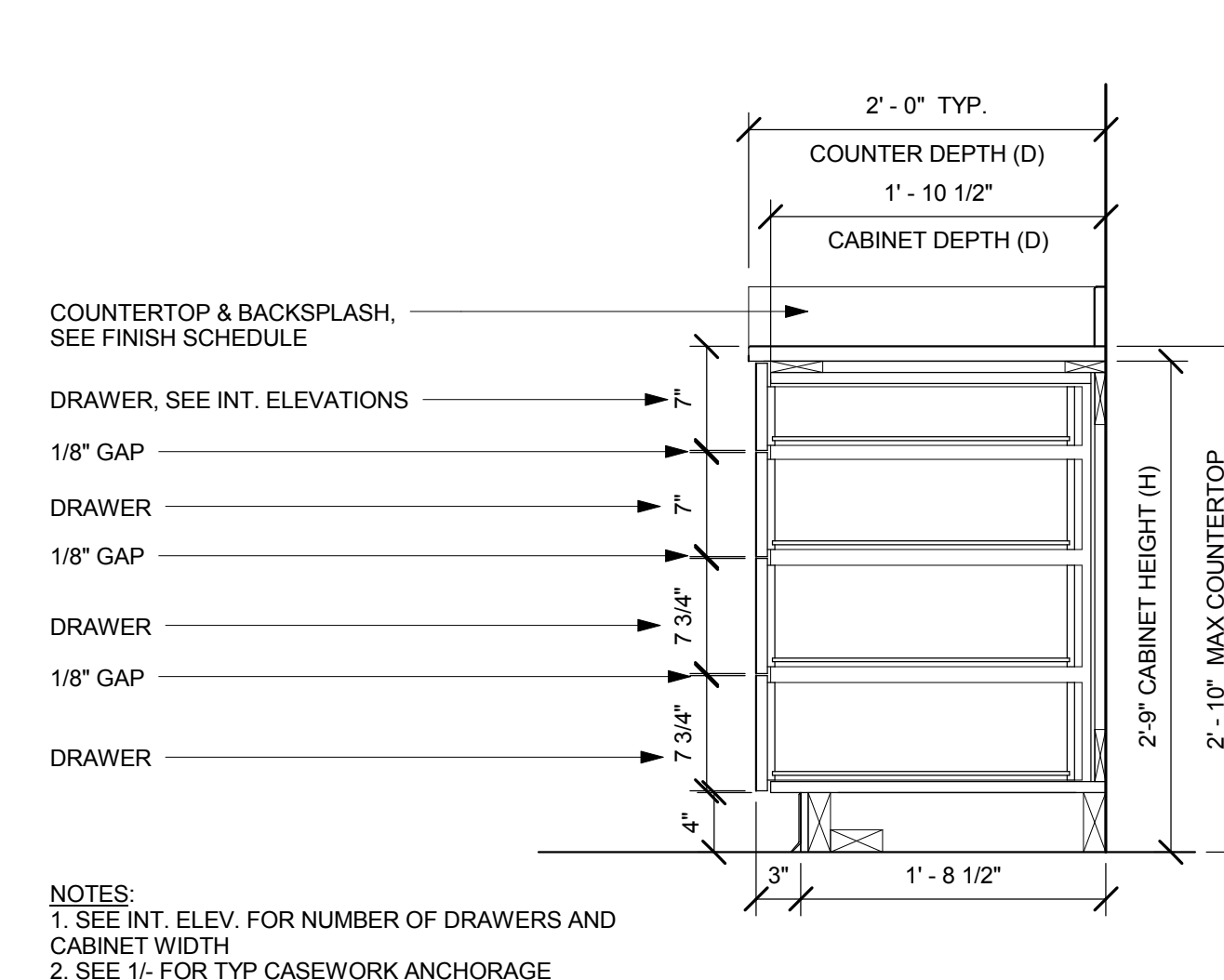
4 CASEWORK ATTACHMENT DIAGRAM
1 1/2" = 1'-0"



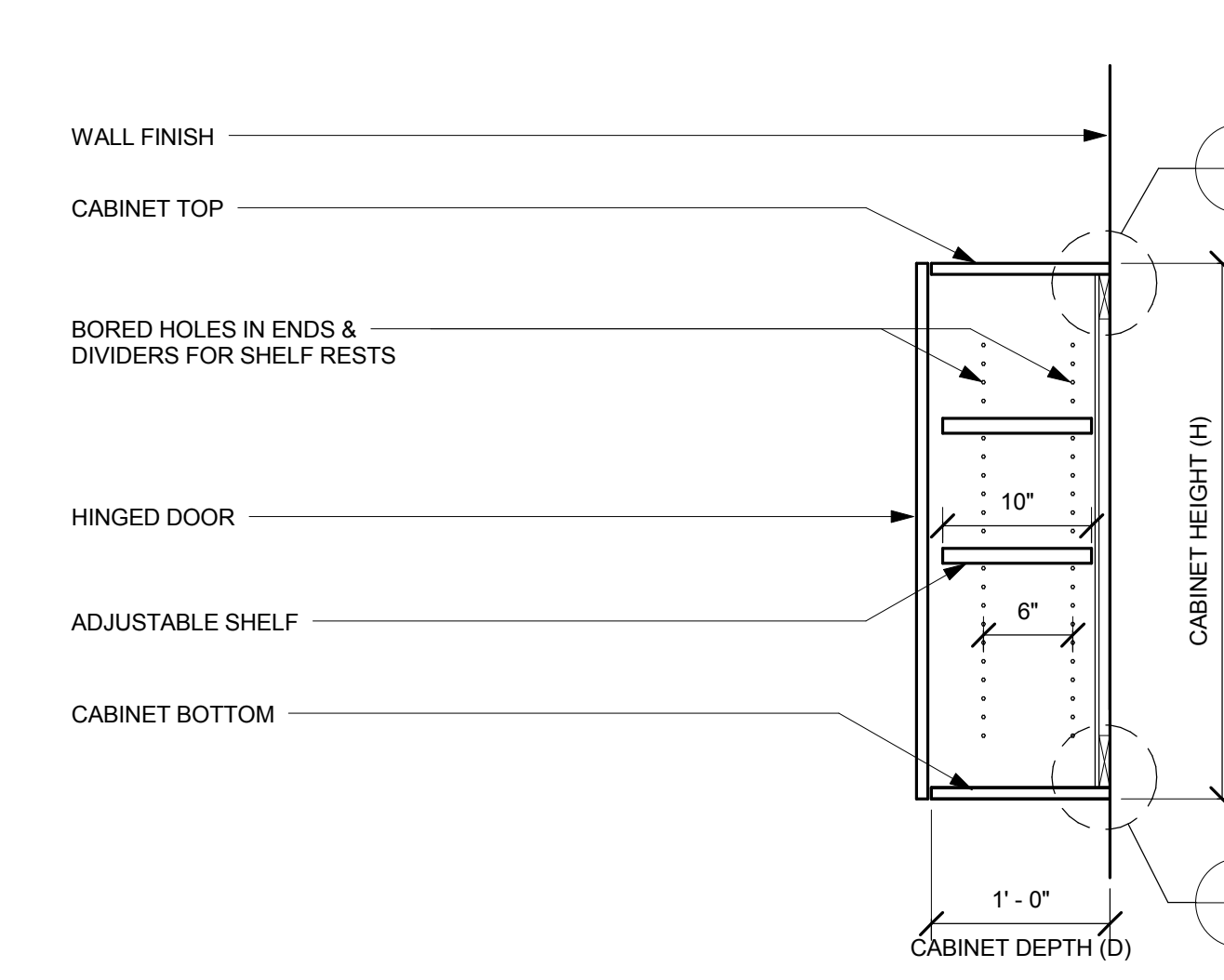
10 BASE CABINET W/ ADA SINK
1" = 1'-0"



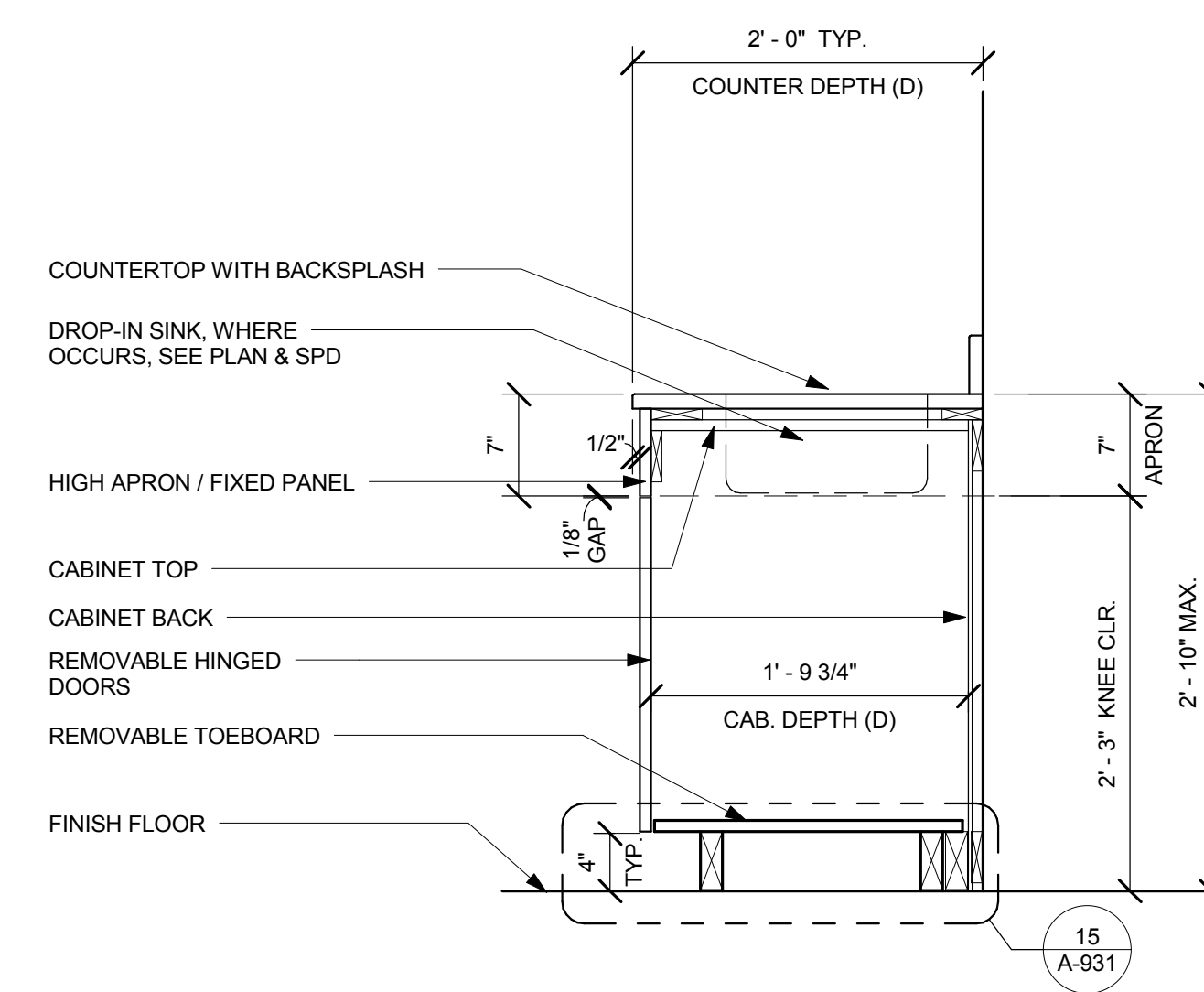
9 BASE CABINET W/ ONE DRAWER
1" = 1'-0"



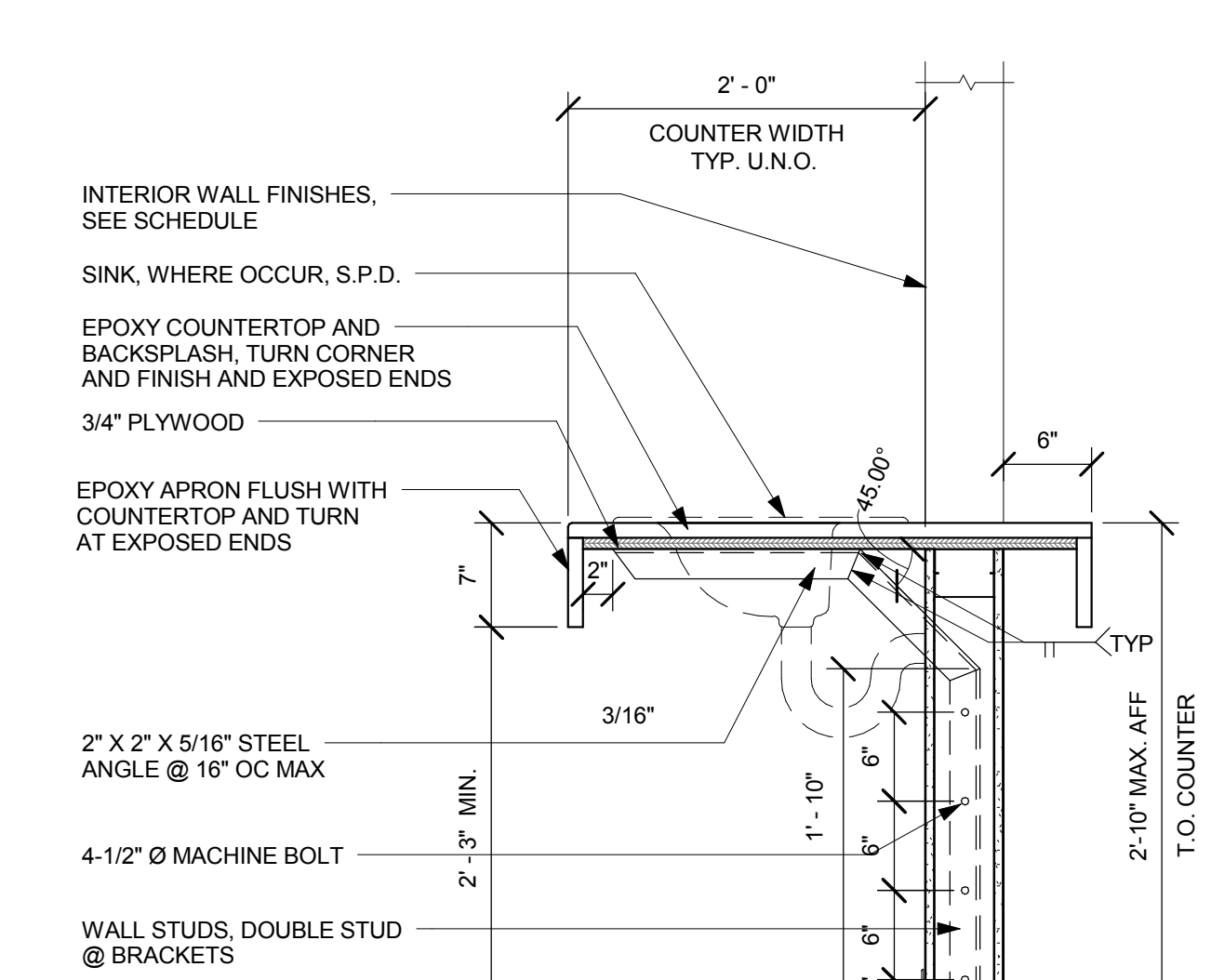
8 BASE CAB. W/ MULTIPLE DRAWERS
1" = 1'-0"



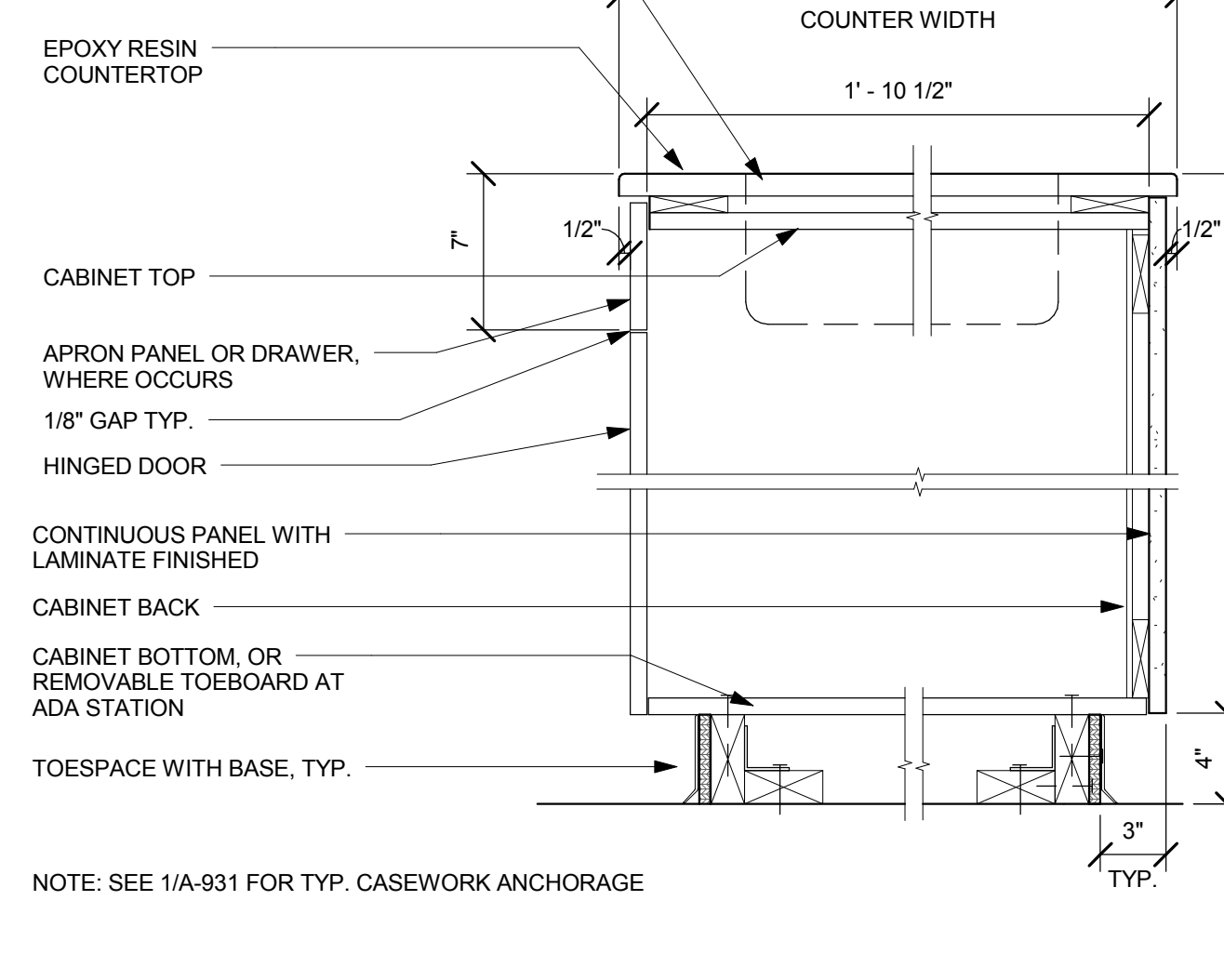
7 TYP. WALL MOUNTED CABINET
1" = 1'-0"



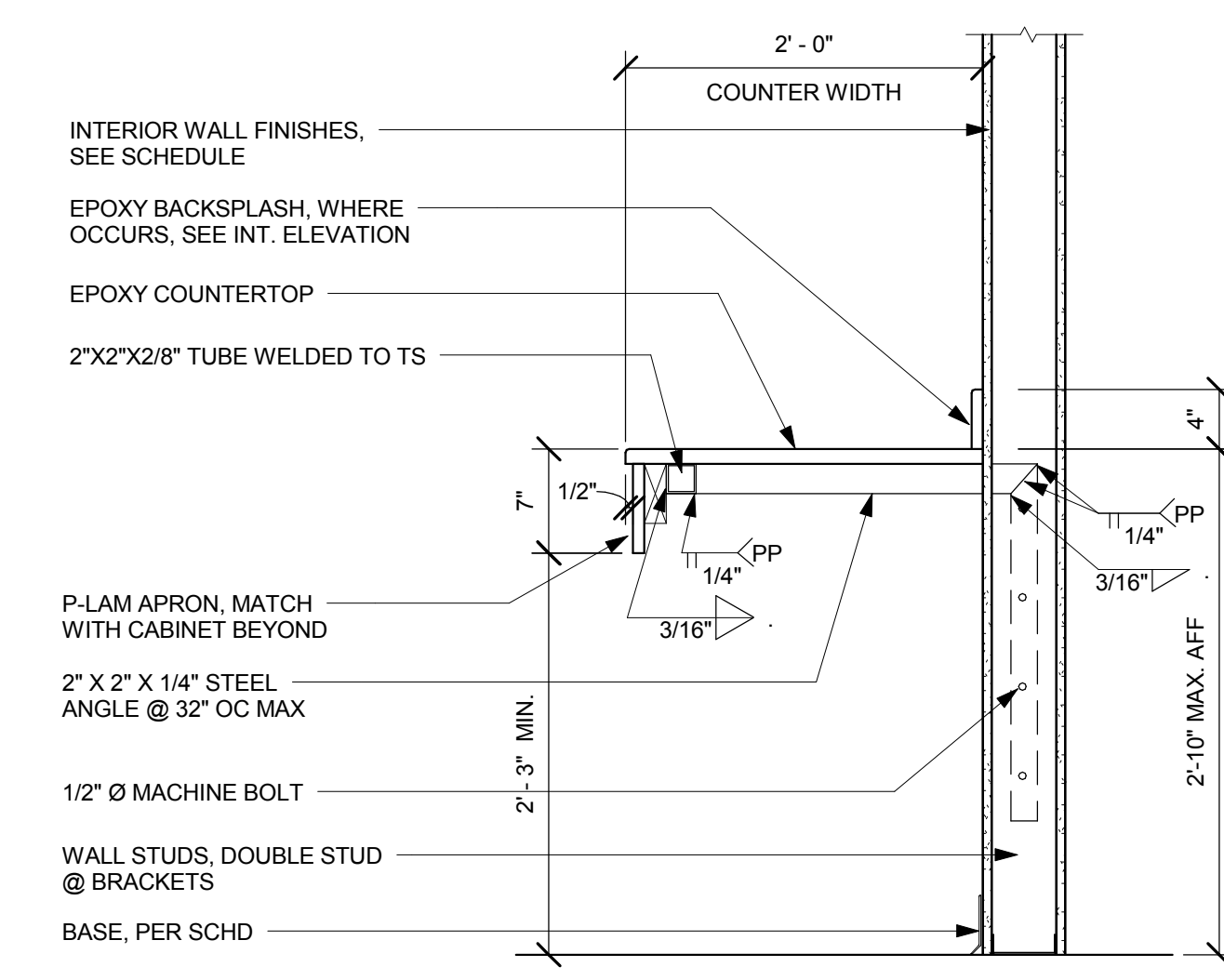
14 TYP. BASE CABINET W/ ADA SINK
1" = 1'-0"



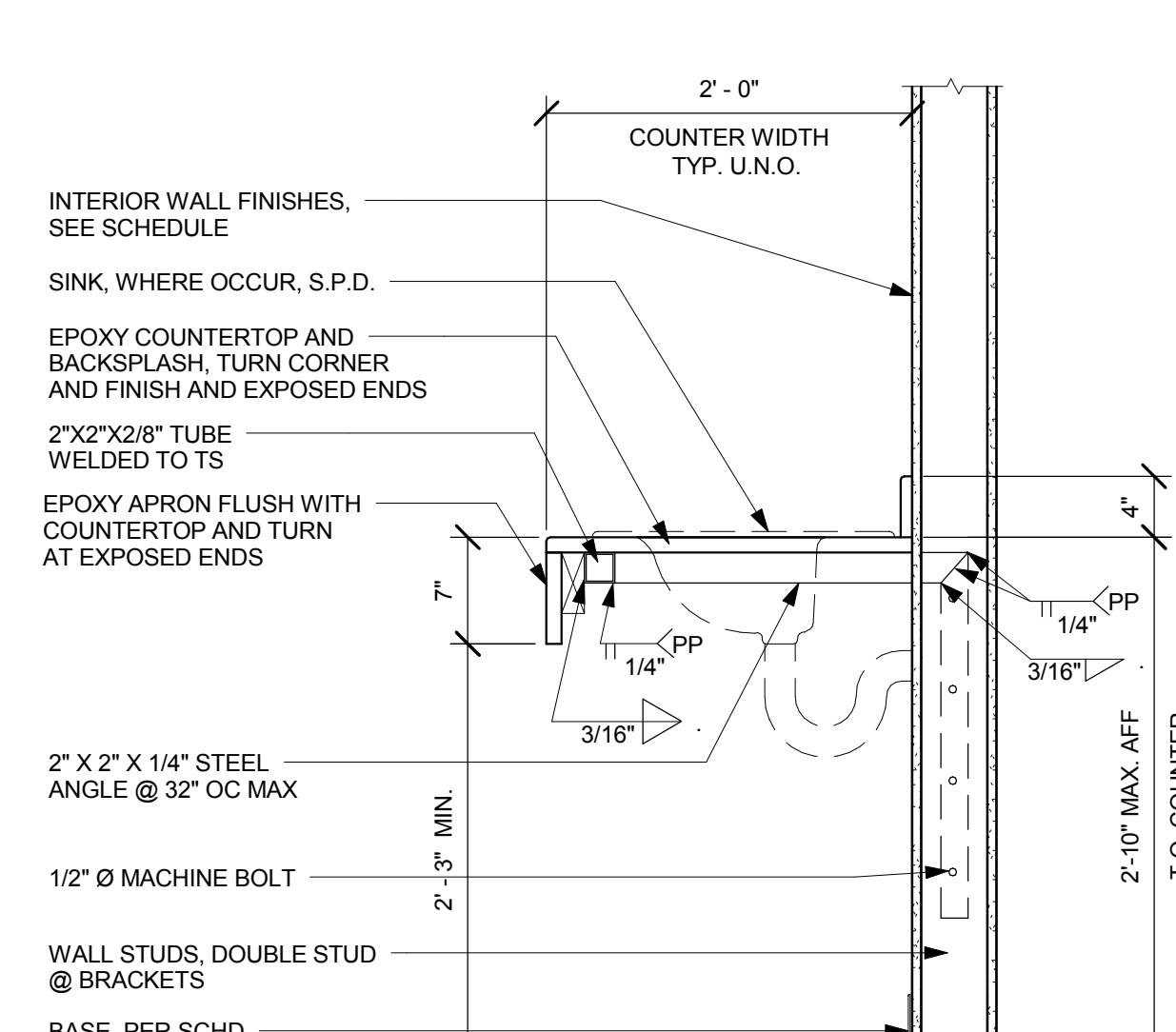
13 PASS THRU COUNTER SUPPORT
1" = 1'-0"



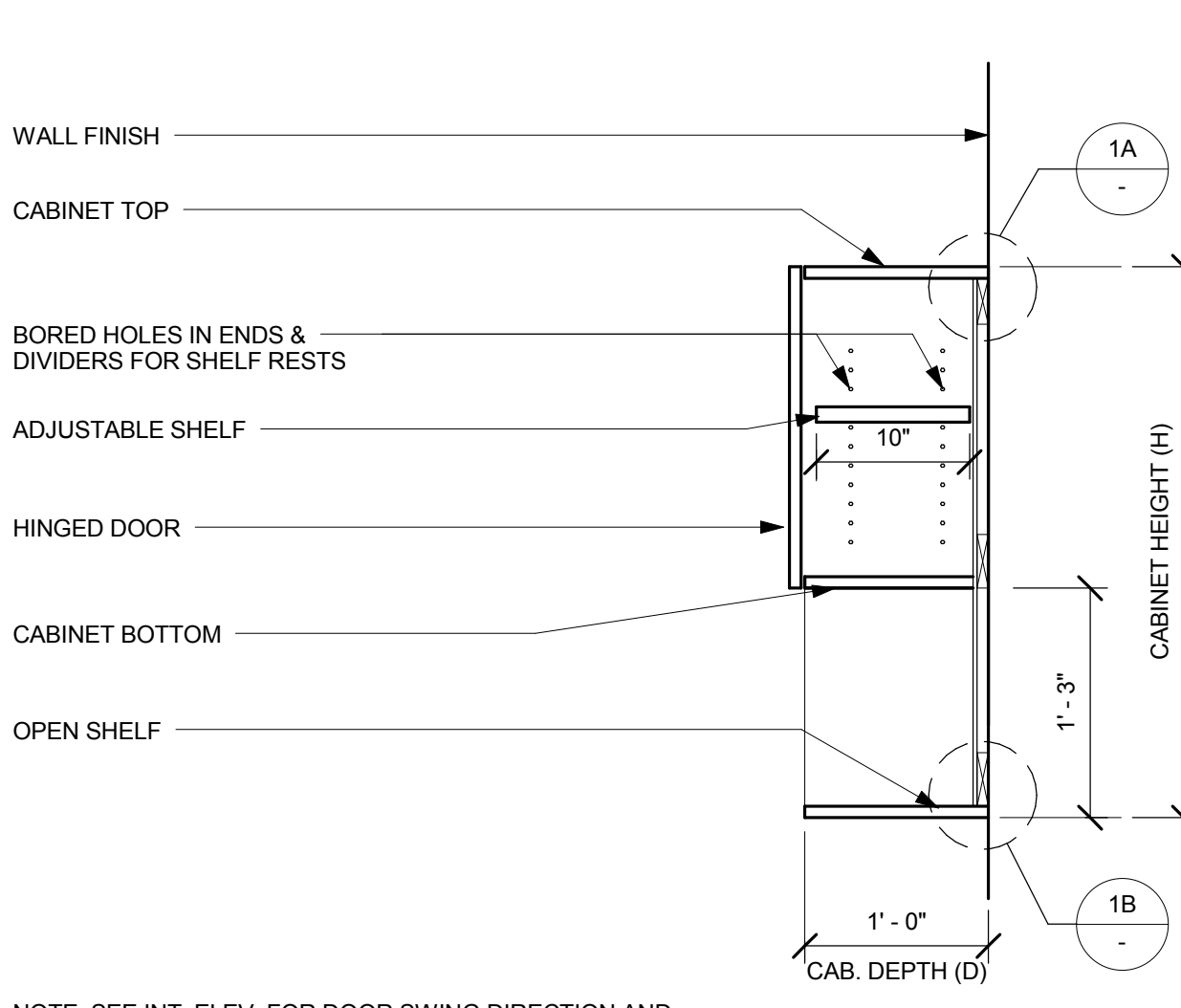
12 ISLAND TABLE TYP.
1 1/2" = 1'-0"



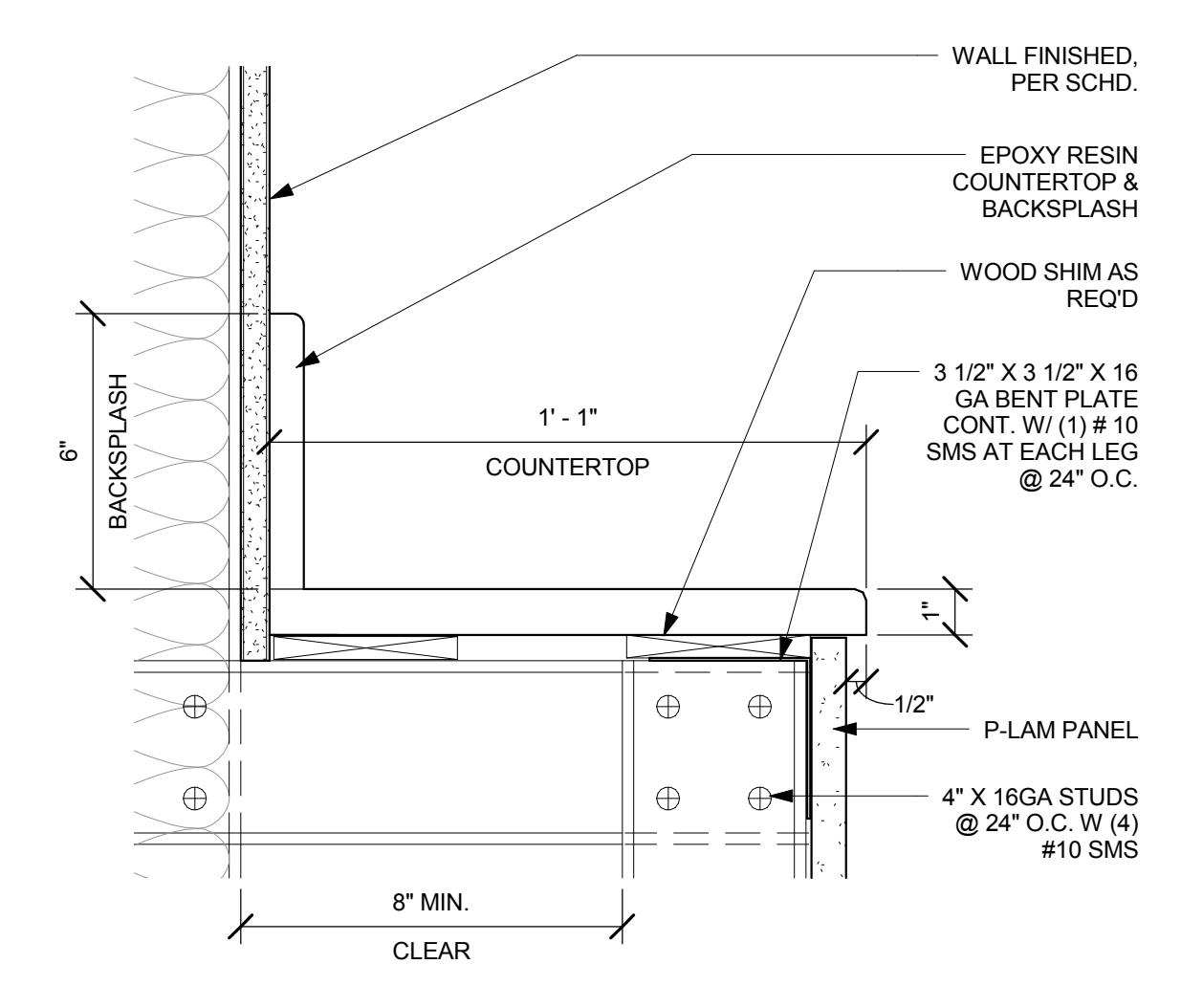
11 BUILT-IN COUNTER SUPPORT
1" = 1'-0"



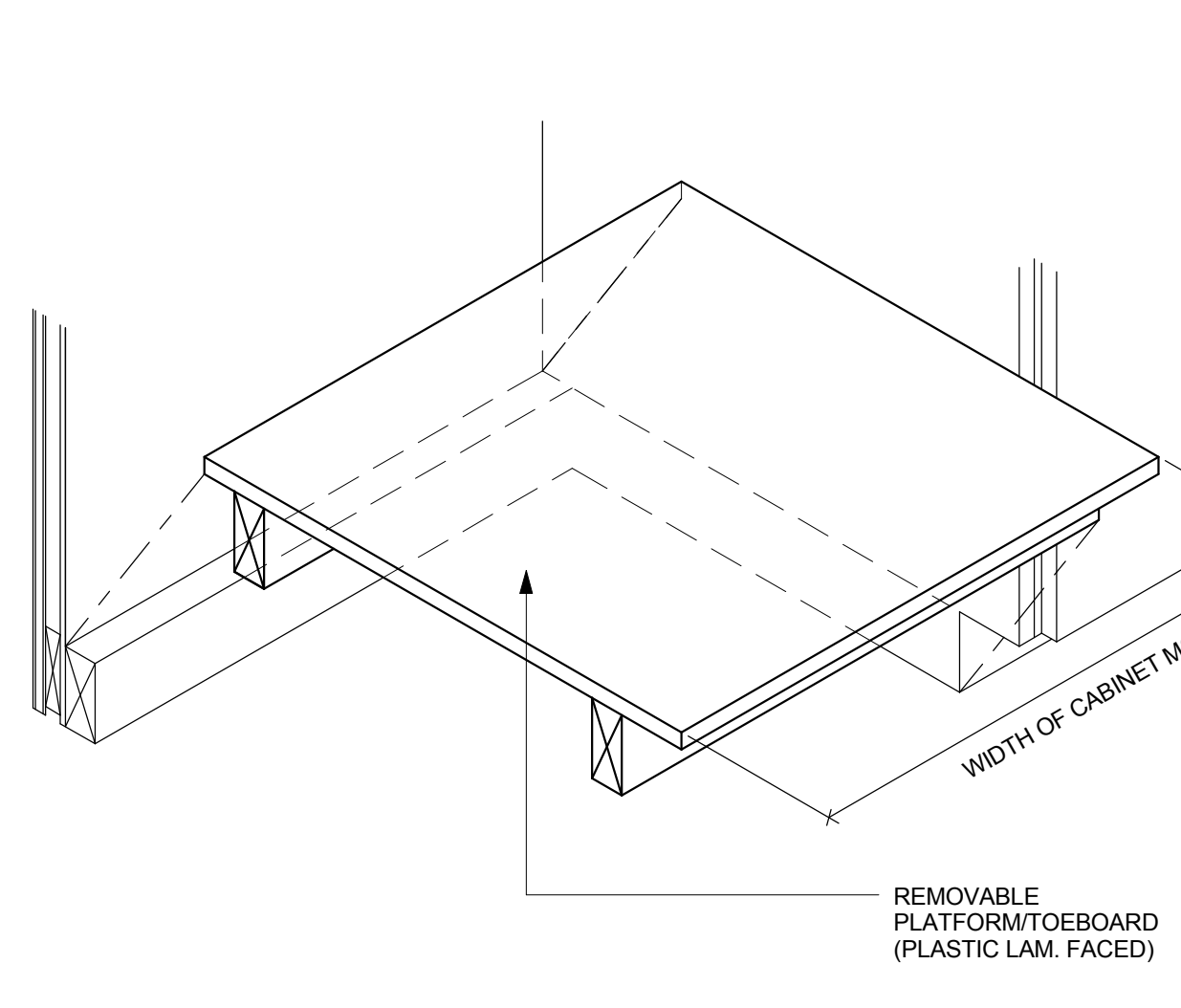
18 LAVATORY COUNTER SUPPORT
1" = 1'-0"



17 WALL MOUNTED W/ OPEN SHELF
1" = 1'-0"



16 HAIR WASH AREA - COUNTERTOP
3" = 1'-0"



15 REMOVABLE TOEBOARD
1 1/2" = 1'-0"