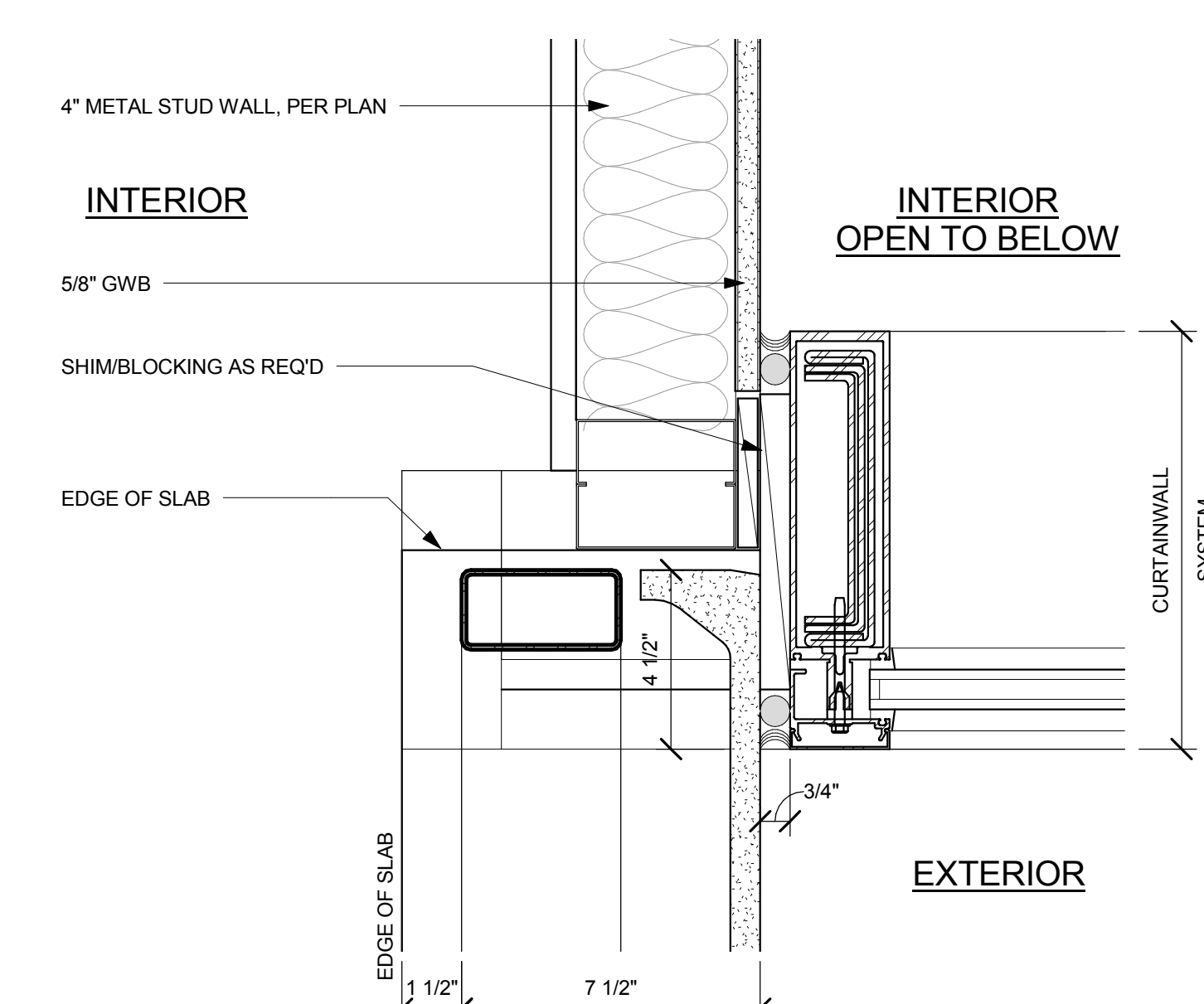
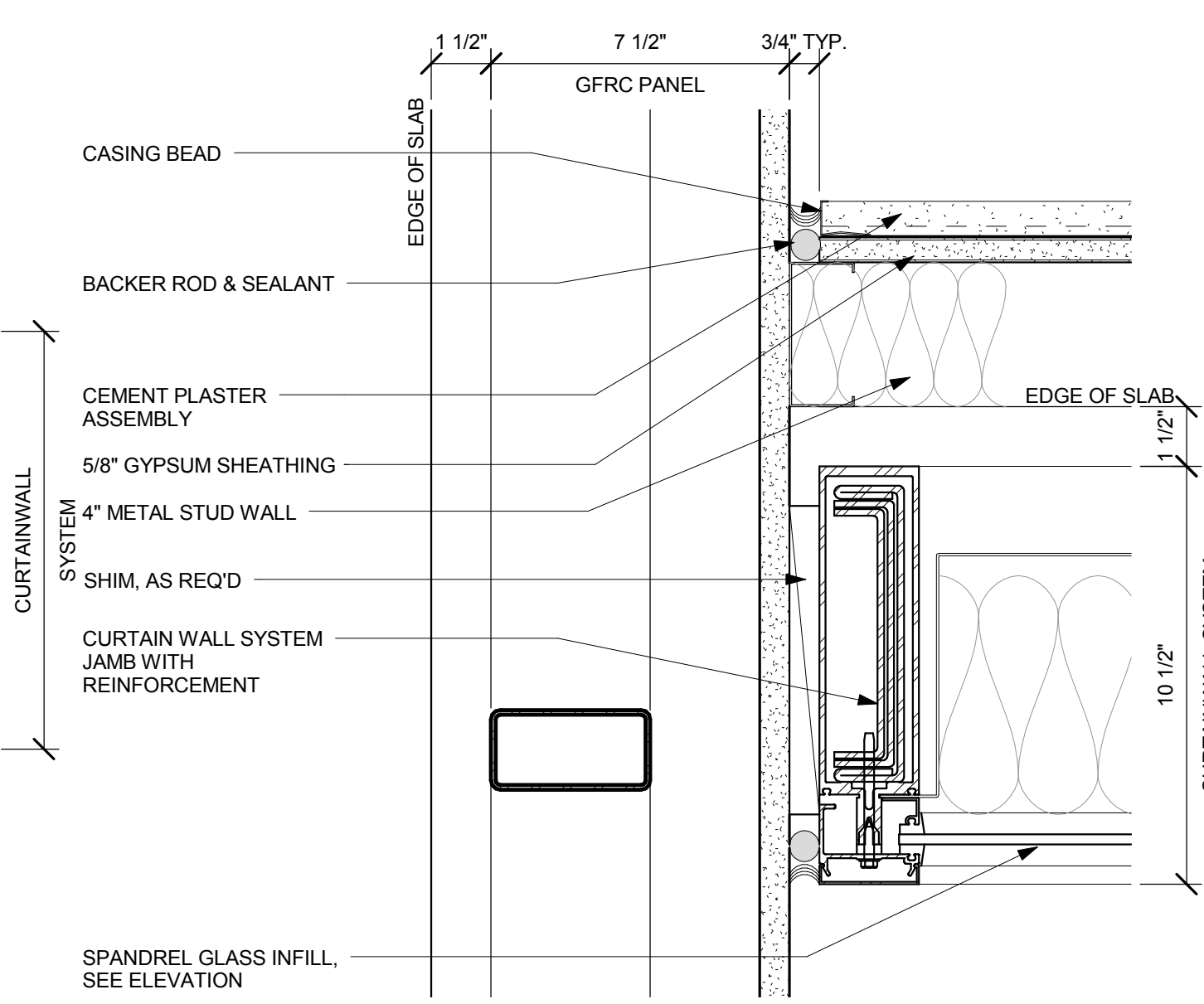


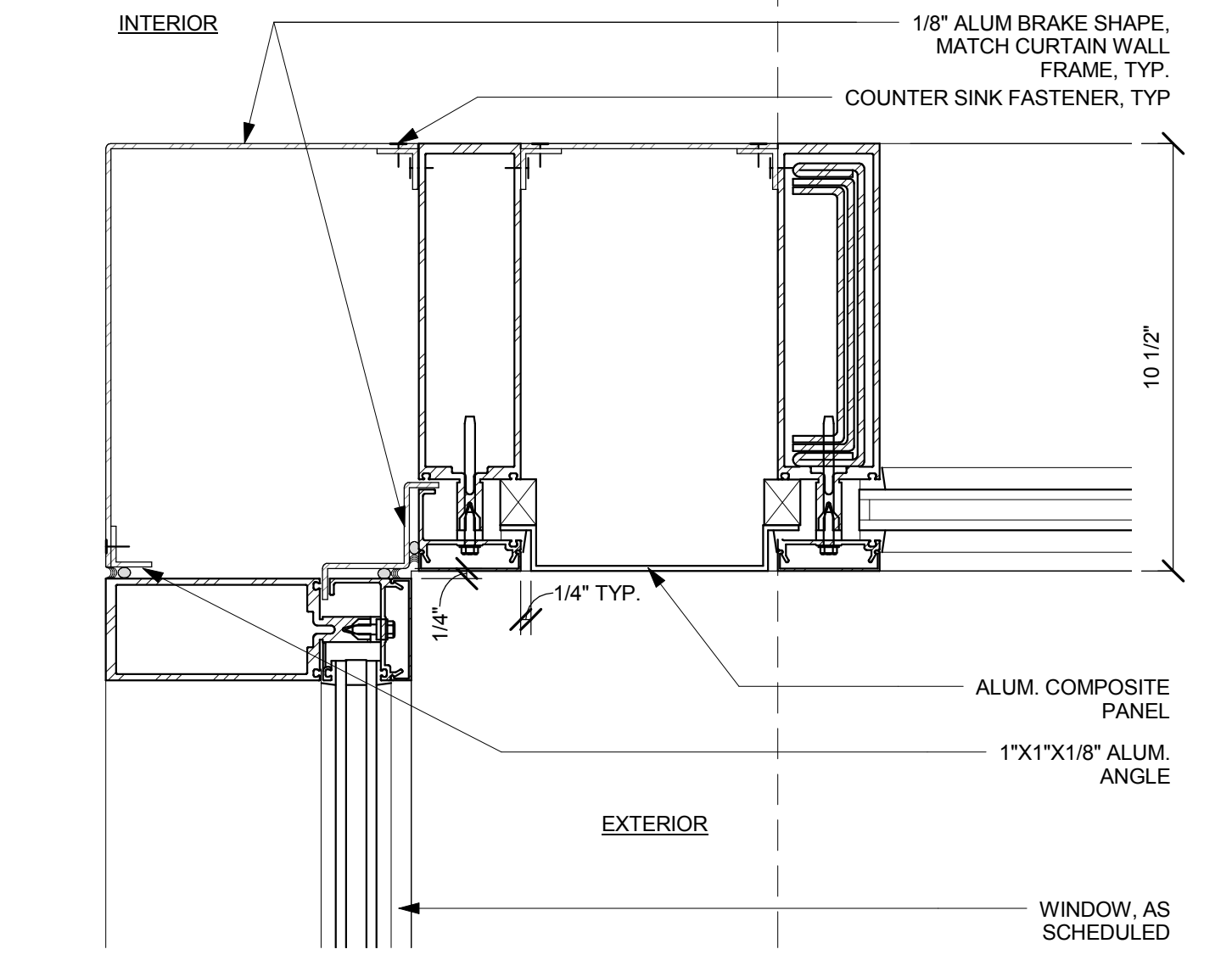
16 CURTAIN WALL CORNER - ST06
3" = 1'-0"



12 CURTAIN WALL - JAMB - AT ST06
3" = 1'-0"



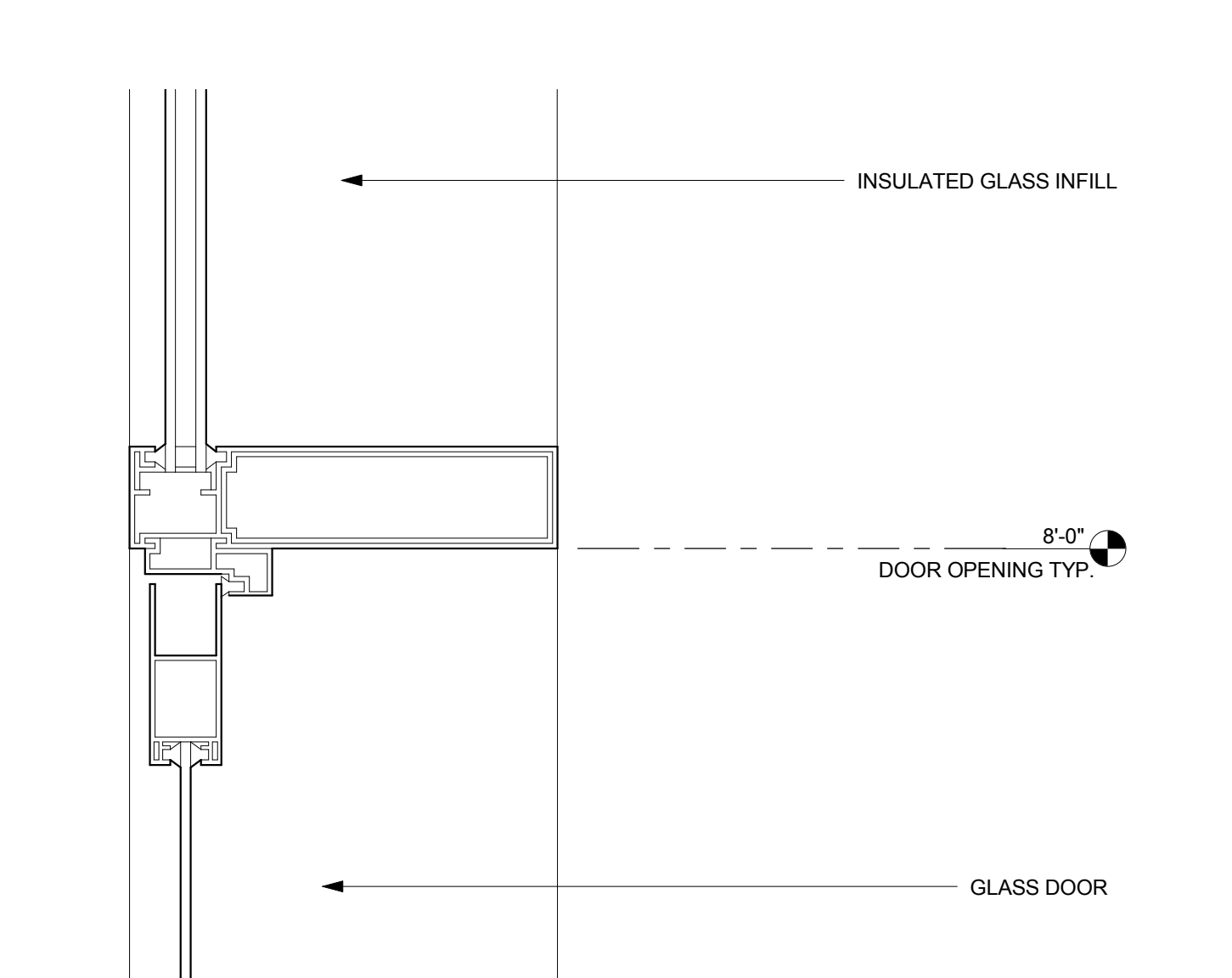
10 CURTAINWALL JAMB - LEVEL 2
3" = 1'-0"



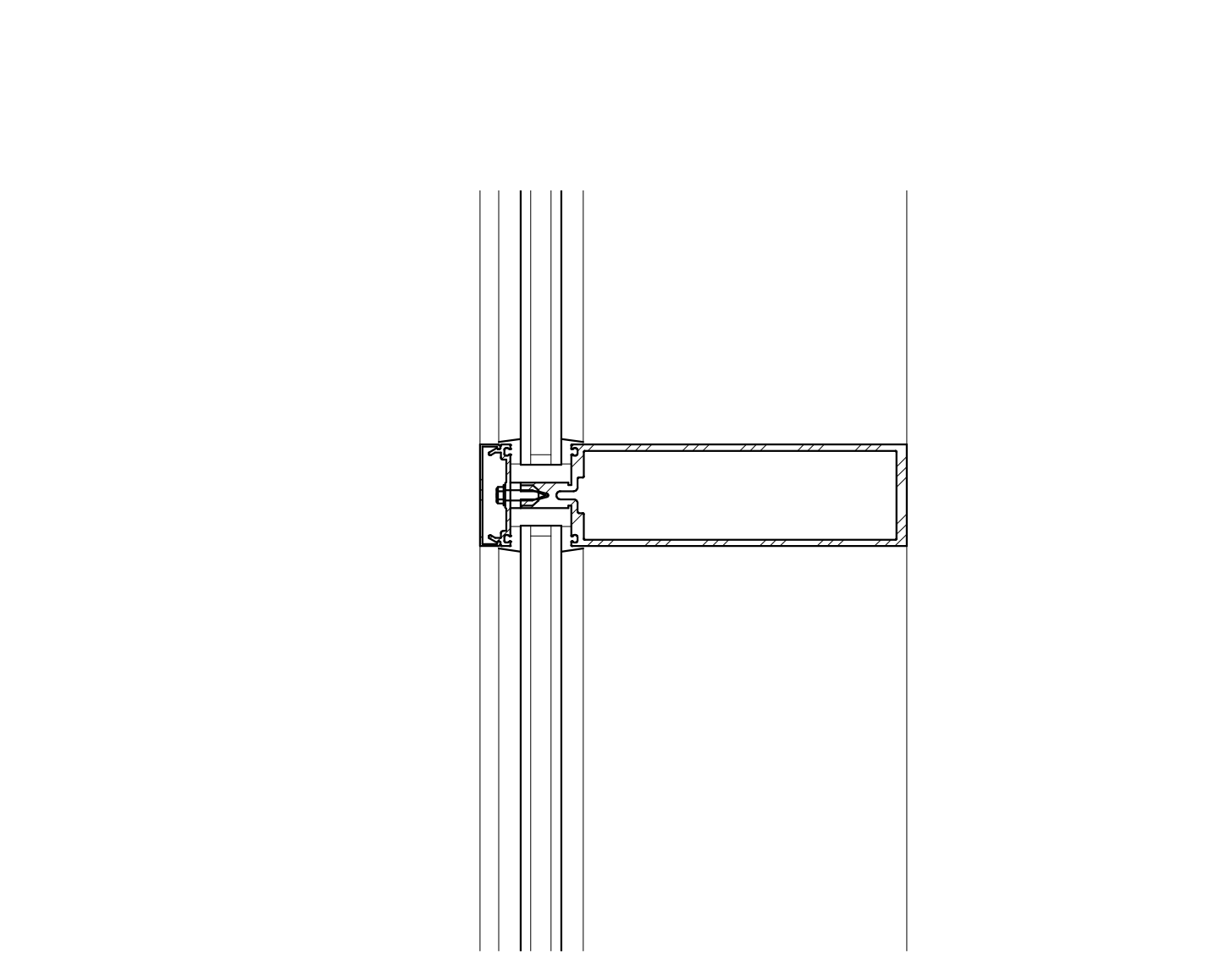
11 CURTAINWALL JAMB - LEVEL 3
3" = 1'-0"



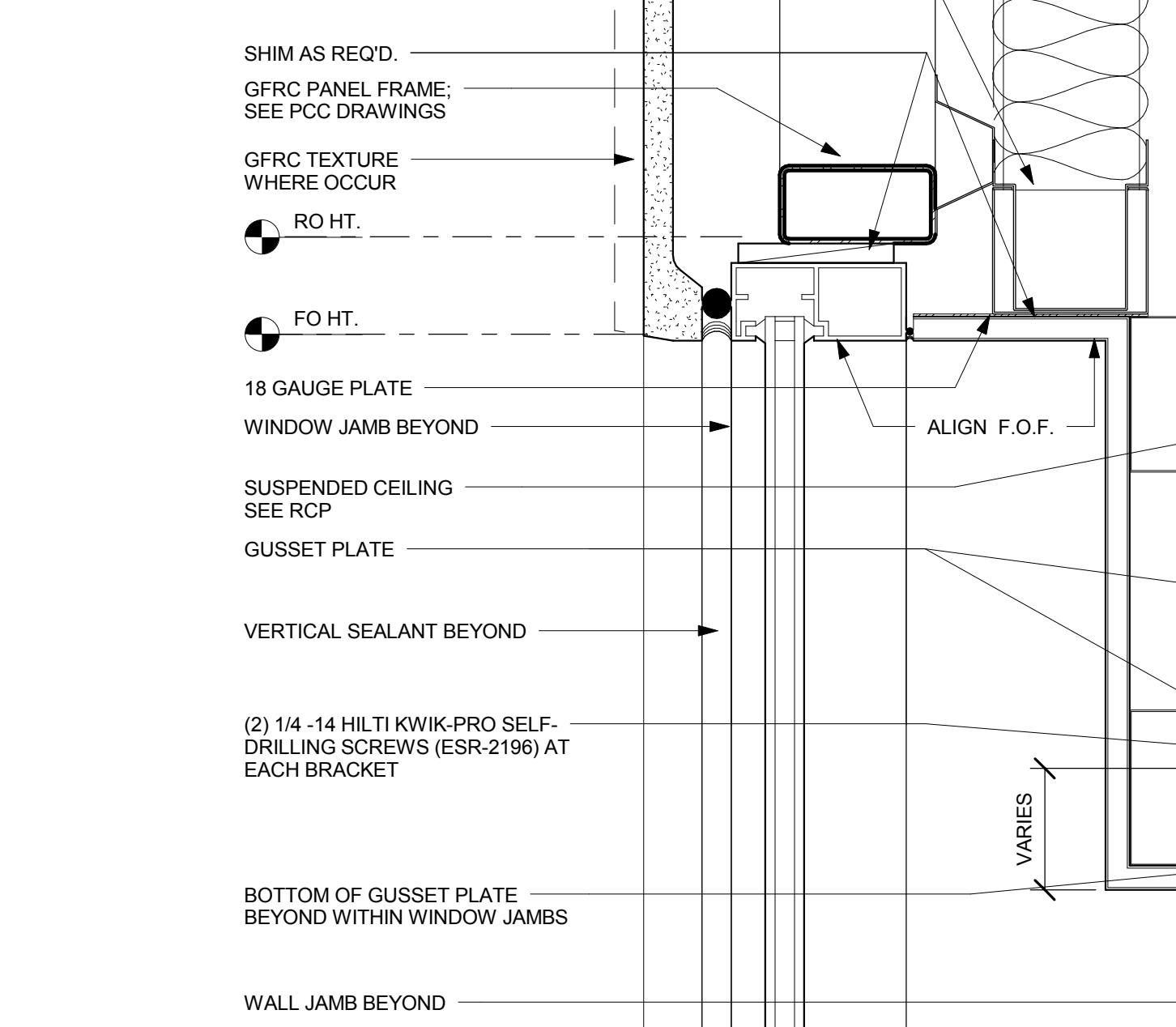
7 CURTAIN WALL - AT PARAPET
3" = 1'-0"



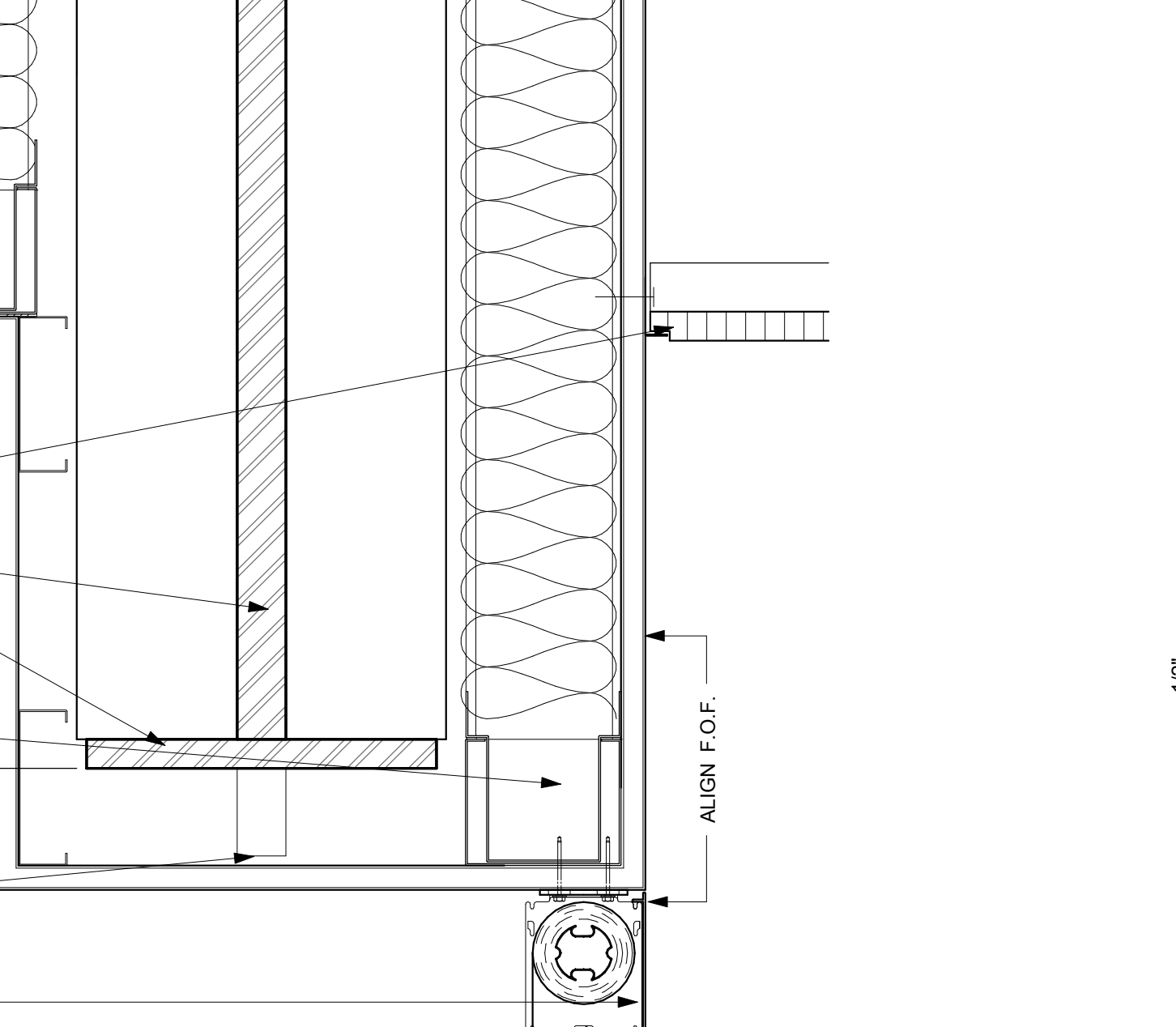
3 CURTAIN WALL - SPANDREL TRANSOM
3" = 1'-0"



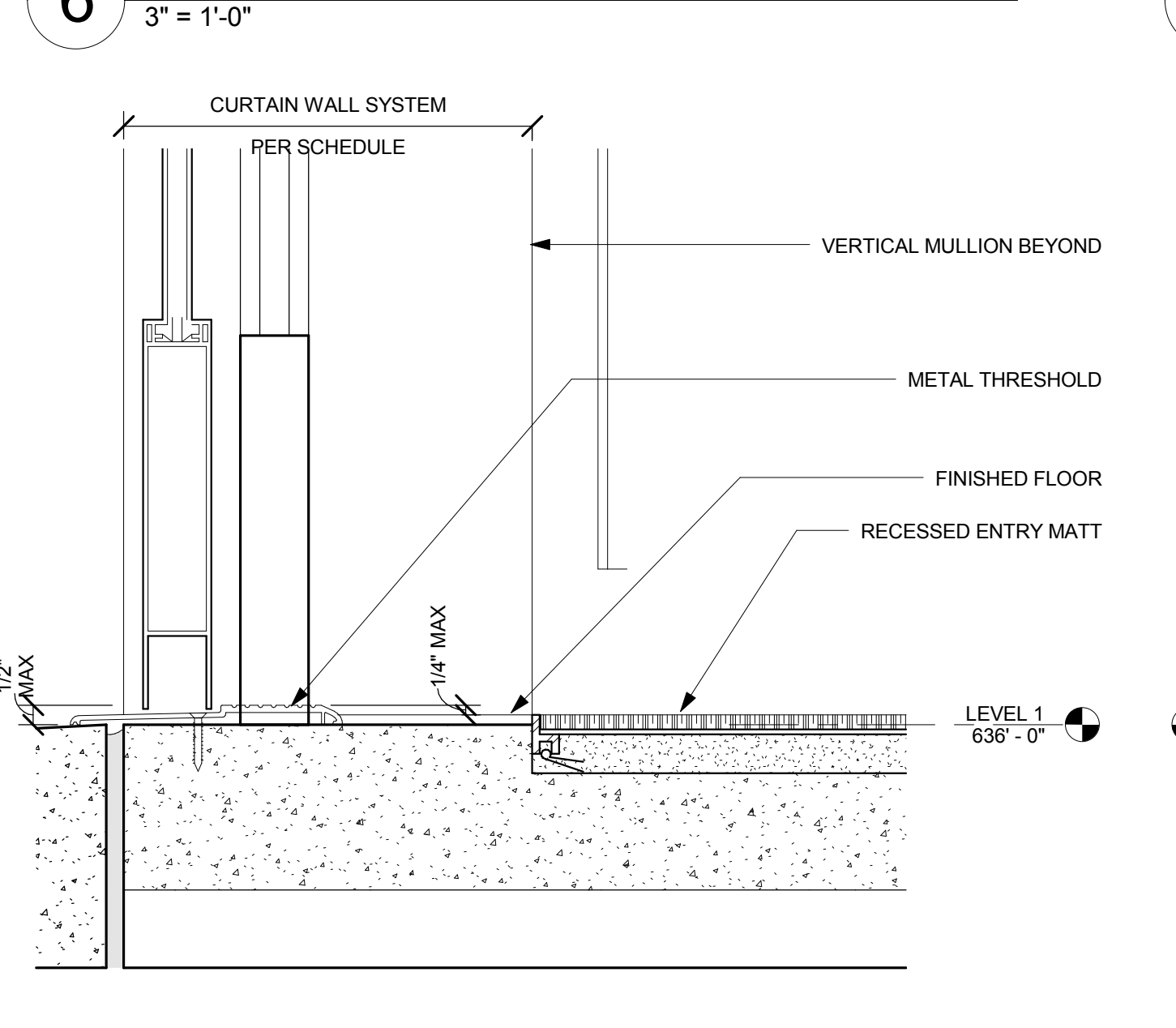
9 CURTAINWALL CORNER - LEVEL 1
3" = 1'-0"



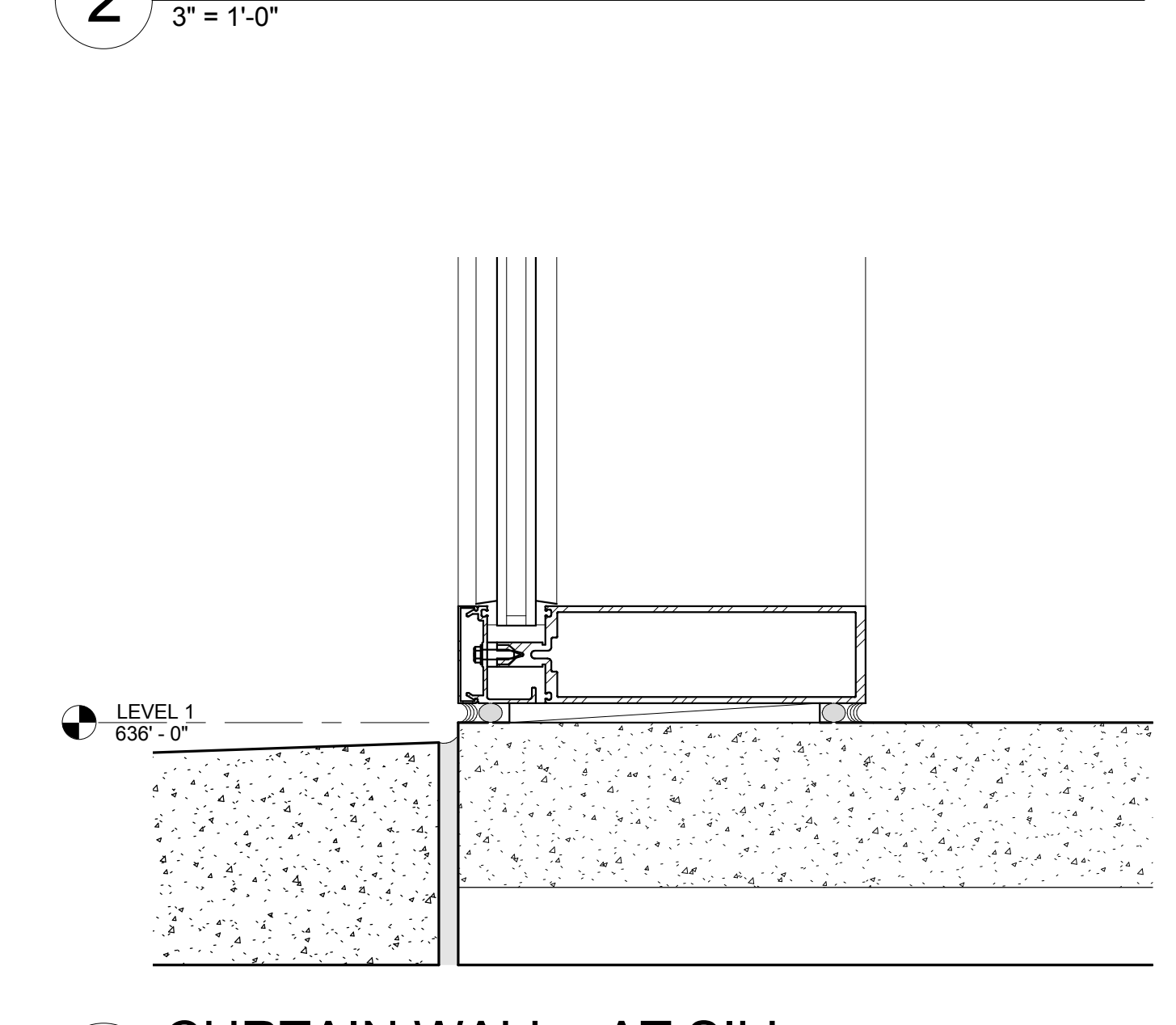
6 CURTAIN WALL - AT DOOR HEAD
3" = 1'-0"



6 CURTAIN WALL - AT DOOR HEAD
3" = 1'-0"



2 CURTAIN WALL - INTERM. TRANSOM
3" = 1'-0"



8 WINDOW SOFFIT AT GUSSET PLATES, TYP.
3" = 1'-0"



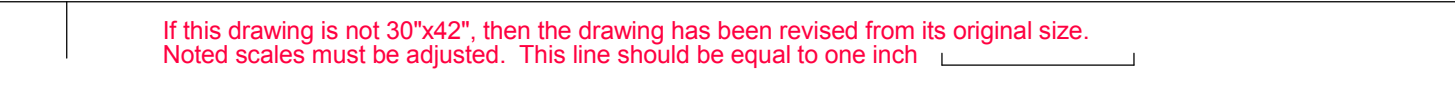
5 CURTAIN WALL AT THRESHOLD
3" = 1'-0"



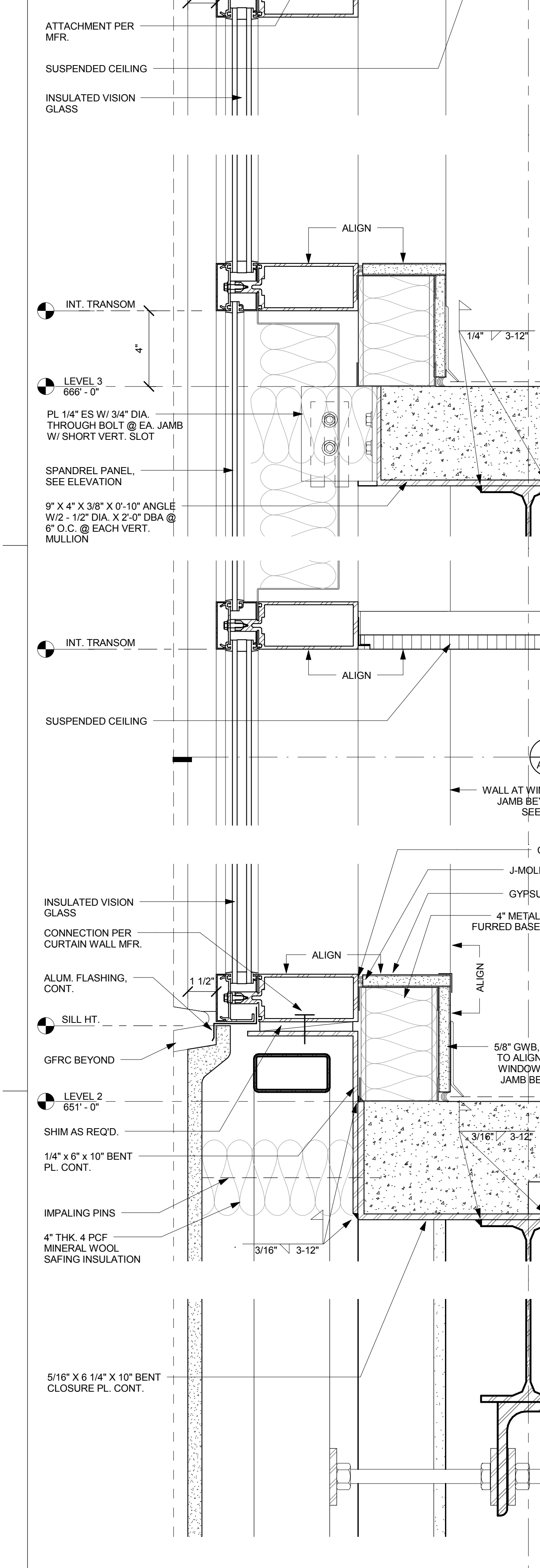
5 CURTAIN WALL AT THRESHOLD
3" = 1'-0"



1 CURTAIN WALL - AT SILL
3" = 1'-0"



17 CURTAIN WALL SECTION - AT ST06
3" = 1'-0"



17 CURTAIN WALL SECTION - AT ST06
3" = 1'-0"



All drawings and written material appearing herein constitute original and unpublished work of the Architect/Engineer and may not be duplicated, used or disclosed without consent of Architect/Engineer. If this drawing is not 30"x42", then the drawing has been revised from its original size. Noted scales must be adjusted. This line should be equal to one inch.