

**GENERAL NOTES**

1. REFER TO ROOM FINISH SCHEDULE (SHT AI-101, 102 AND 103) AND FINISH SCHEDULE 09020 FOR ADDITIONAL NOTES AND INFORMATION
2. PROVIDE BLOCKING AT ALL CASEWORK, GRAB BARS AND ACCESSORIES
3. ALL CABINETS & DRAWERS TO BE LOCKABLE, TYP. ON ALL INTERIOR.
4. SEE SHEET AI-101-103 FOR FINISH SCHEDULE
5. SEE SHEET A-701 FOR DOOR SCHEDULE
6. SEE SHEET A-741-744 FOR WINDOW SCHEDULE
7. SEE SHEET AC-201-203 FOR REFLECTED CEILING PLAN
8. ALL COUNTER, SINKS HAVE PAPER TOWEL DISPENSER AND SOAP DISPENSER
9. SEE 1/A-900 TYPICAL WALL MOUNTED FIXTURE GROUPINGS
10. SEE 10/A-914 FOR TILE AT TYP. SHOWER FLOOR. SEE 11/A-914 FOR TYP. TILE FLOOR - MORTAR BED

**KEY NOTES - INTERIOR ELEVATION**

- PL-1 SEE FINISH SCHEDULE FOR FINISHES SECTION 09020
- 1 GYPSUM BOARD SOFFIT. SEE DETAIL 9/A-911
  - 2 SUSP. ACOUSTICAL CEILING. SEE DETAIL 1/A-920
  - 3 WASHER/DRYER, OFOI
  - 4 DOOR, PER SCHEDULE
  - 5 WINDOW, PER SCHEDULE
  - 6 SOAP DISPENSER, OFOI
  - 7 ELEVATOR DOOR
  - 8 FIRE HORN/STROBE.
  - 9 STRUCTURAL STEEL BRACING, SSD.
  - 10 BASE. SEE FINISH SCHEDULE
  - 11 CASEWORK, SEE FINISH SCHEDULE AND CASEWORK DETAILS
  - 12 COUNTER TOP WITH BACKSPLASH
  - 13 COUNTER TOP WITHOUT BACKSPLASH
  - 14 MARKER BOARD, SEE DETAIL 16/A-900
  - 15 CORNER GUARD, SEE DETAIL 7/A-913
  - 16 CHEMICAL AUTO DILUTION SYSTEM, OFOI
  - 17 MIRROR
  - 18 STAIR
  - 19 LIGHTING, SEE ELECTRICAL DRAWING
  - 20 HANDRAIL
  - 21 GUARDRAIL. 42" MIN. A.F.F.
  - 22 SINK. SEE PLUMBING DRAWING
  - 23 WALL MOUNT RACK FOR MOPS, BROOM, ETC
  - 24 RECEPTION DESK
  - 25 UTILITY SHELF W/ MOP/BROOM HOLDERS & RAG HOOKS
  - 26 APPLIANCE BY OWNER, OFOI
  - 27 VENTILATION HOOD (SEE MECH. DWG.) - WALL MOUNTED
  - 28 ADA SHOWER, SEE 17/A-900
  - 29 RECESSED FIRE EXTINGUISHER CABINET, F.E. WITH CURRENT TAG, SEE DETAIL 8/A-900
  - 30 PARTIAL HEIGHT WALL.
  - 31 ADA LOCKER @ 48" MAX. A.F.F. WITH SHELVES @ 15" AND PROVIDE U-SHAPED LATCH, SEE 14/A-900
  - 32 LOCKER, SEE DETAIL 15/A-900 FOR ANCHORAGE
  - 33 WALL PAINTED GYPSUM, PER FINISH SCHEDULE, TYP.
  - 34 BEYOND EXTERIOR CURTAIN WALL
  - 35 RECESSED PRODUCT DISPLAY SHELF
  - 36 LOCKER ROOM BENCH, OFOI
  - 37 SIGNAGE LETTERS
  - 38 ACCENT WALL TILE, SEE FINISH SCHEDULE 09020
  - 39 TACK BOARD AT SIDE WALL IN CLASSROOM TYP., OFOI
  - 40 WALL MOUNTED FLAT DISPLAY, OFOI
  - 41 INTERIOR ALUMINUM FRAMED STOREFRONT
  - 42 LCD SCREEN, OFOI
  - 43 PROJECT SCREEN, SEE T.A.D.
  - 44 WAINGSOT
  - 45 CHAIR RAIL
  - 46 VENDING MACHINE, OFOI
  - 47 WALL-MOUNTED WARMING UNIT, OFOI
  - 48 REFRIGERATOR, OFOI
  - 49 FIRE HOSE VALVE CABINET, SEE 1 & 2/A-913
  - 50 LAUNDRY SINK, S.P.D.
  - 51 4'X8' FRP @ SINK
  - 52 PAPER TOWEL DISPENSER, OFOI
  - 53 CUSTODIAN'S IN-BOX, CLIP BOARD AND EMERGENCY RESPONSE INFORMATION, OFOI
  - 54 FIRE PLACE
  - 55 ENTERTAINMENT EQUIP. CABINET
  - 56 SAUNA
  - 57 SEISMIC JOINT COVER, WHERE OCCURS, SEE A-853
  - 58 OUTLET/DATA/PHONE JACK FOR COMPUTER INSIDE/BEHIND CABINET, S.E.D.
  - 59 WALL MOUNTED SHELVES
  - 60 ADJUSTABLE SHELVING
  - 61 SMALL TOOL AND BRUSH ORGANIZER, OFOI
  - 62 WALL TILE, SEE FINISH SCHEDULE DETAIL 9/A-902
  - 63 CLOCK, S.E.D.
  - 64 COURTESY PHONE
  - 65 FIRE ANNIKIATOR, SEE F.A. DRAWING
  - 66 EMERGENCY EVACUATION PLAN
  - 67 PENCIL SHARPENER NEAR DOOR @ EACH CLASSROOM
  - 68 HAIR LAB STATION. SEE 1/A-930 FOR DETAILS
  - 69 SIGNAGE, SEE SHEET A-901 FOR DETAILS
  - 70 4'X8' ACOUSTIC WALL PANELS
  - 71 HAIR WASH SINK, S.P.D.
  - 72 ALUMINUM FASCIA MATCH ADJACENT WINDOW FRAME FINISH

NO. ISSUES/REVISIONS DATE

**PROJECT RECORD SET**

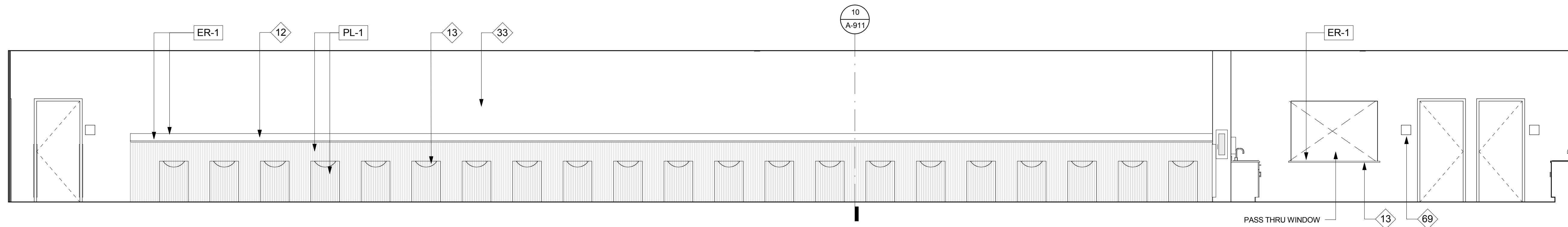
**BUILDING 4  
SKYLINE COLLEGE**

SAN MATEO COUNTY  
COMMUNITY COLLEGE  
DISTRICT

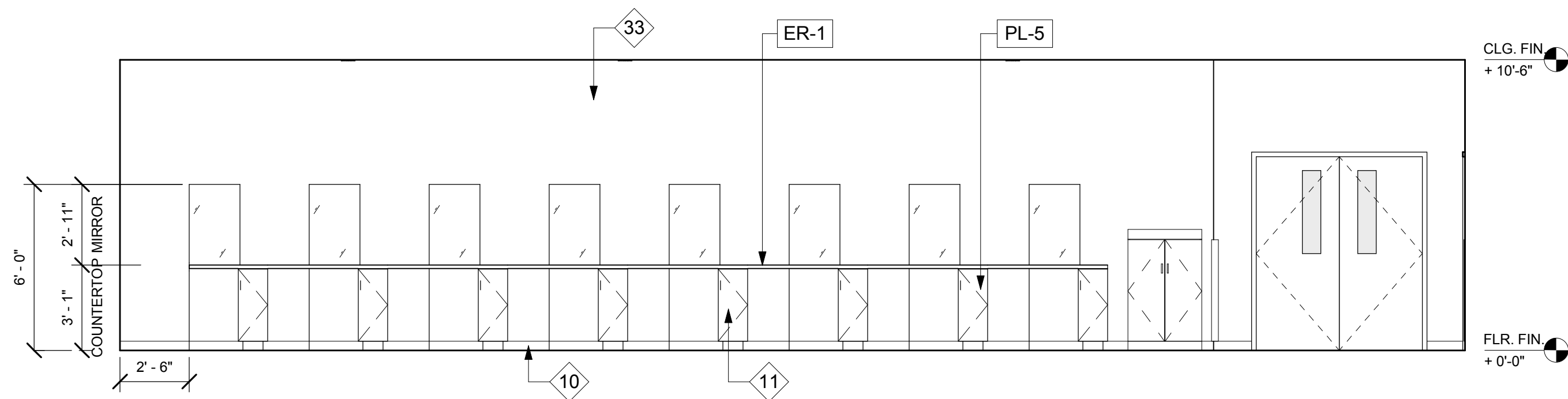
**CIP2 DESIGN-BUILD  
PROJECT  
BUILDING 4**

PROJECT NO.: 07012.00 DRAWN BY: BC  
DATE: 05/06/08 CHECKED BY: LG  
SCALE: 1/4" = 1'-0"

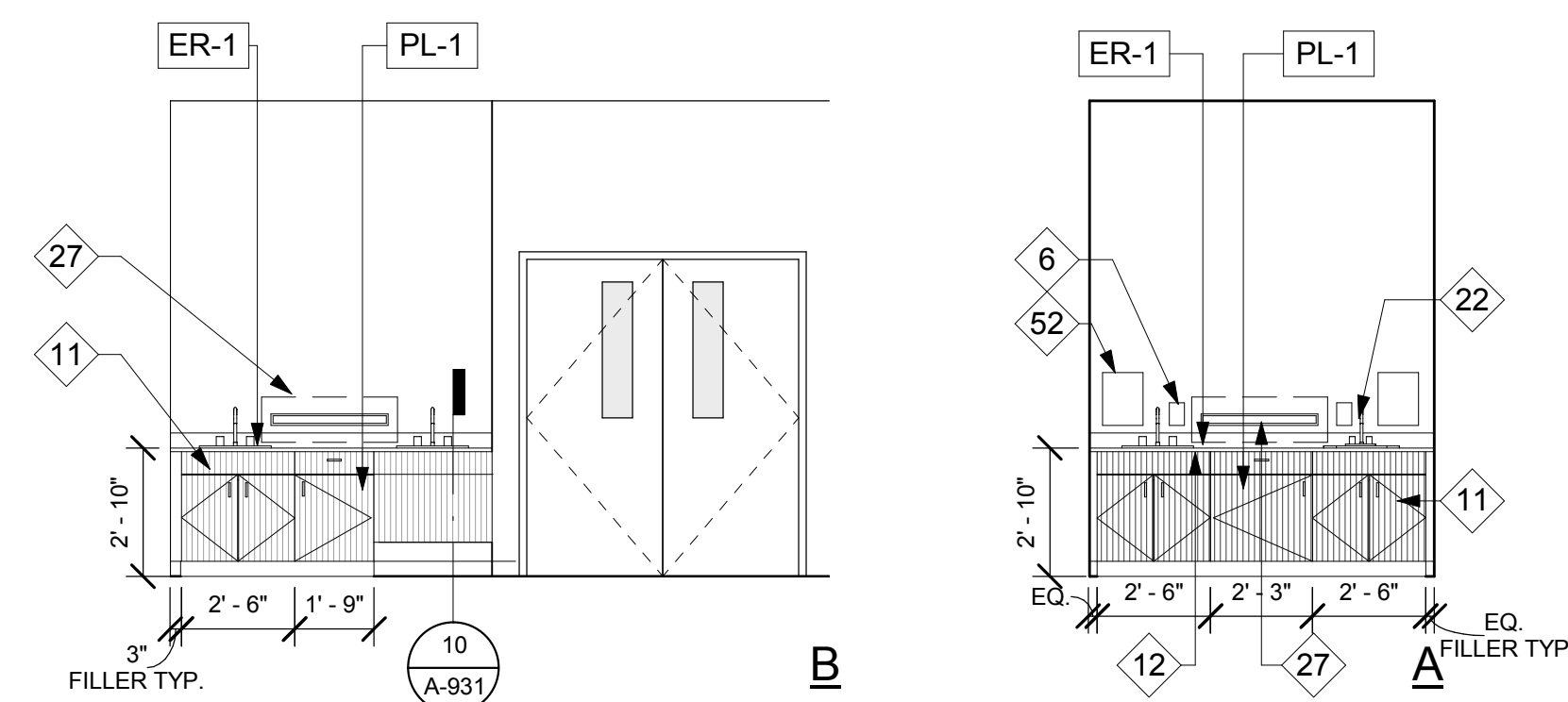
**SHEET TITLE:  
INTERIOR  
ELEVATIONS**



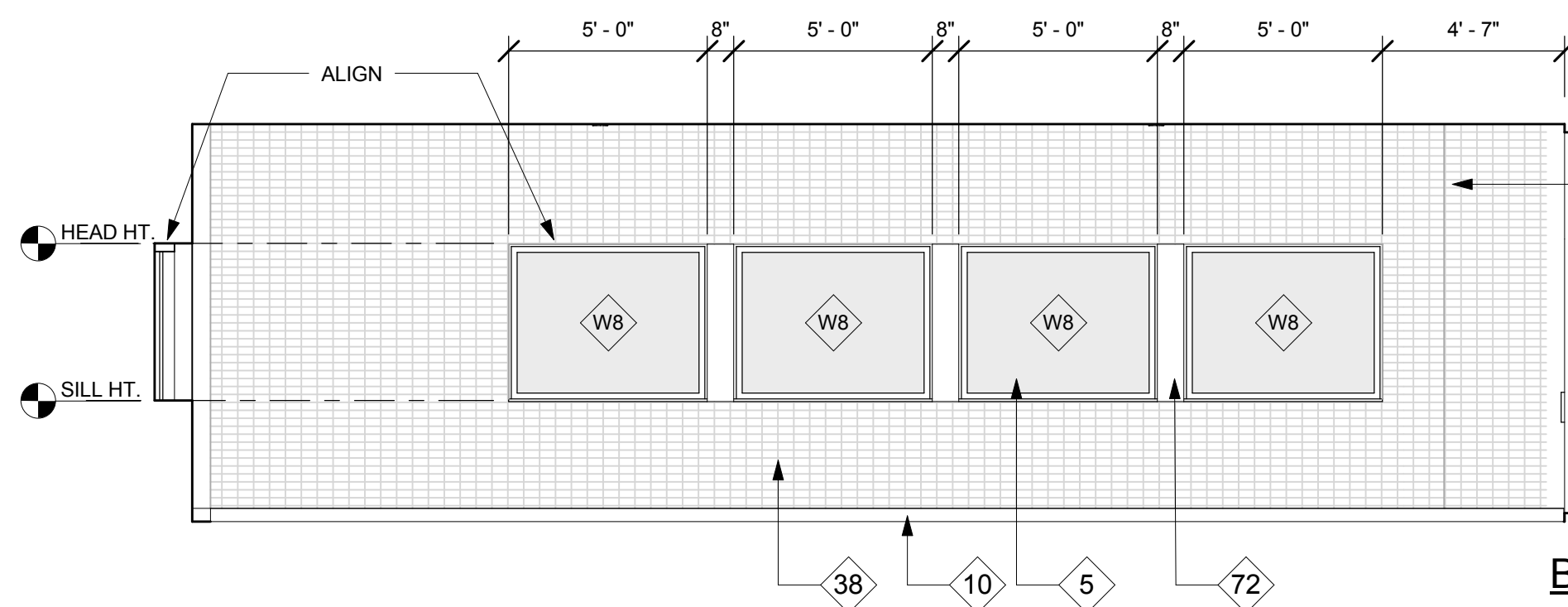
**11 4-230 HAIR LAB - HAIR SINK**  
1/4" = 1'-0"



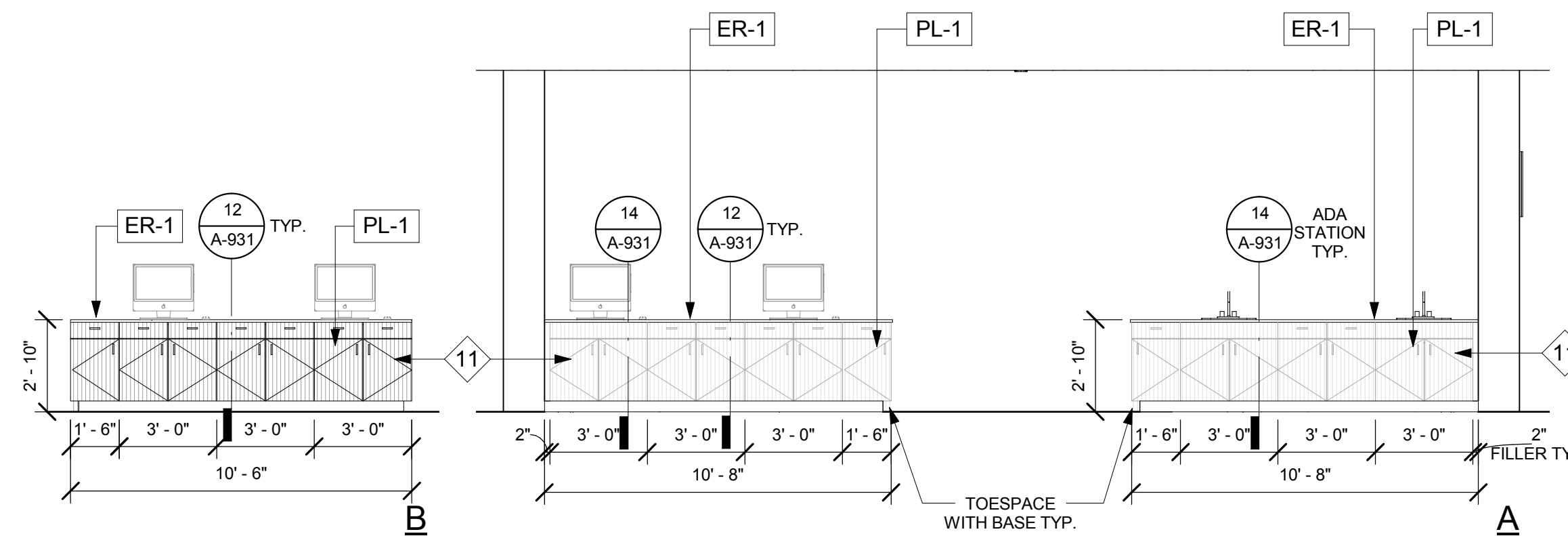
**10 4-230 HAIR LAB FRESHMEN**  
1/4" = 1'-0"



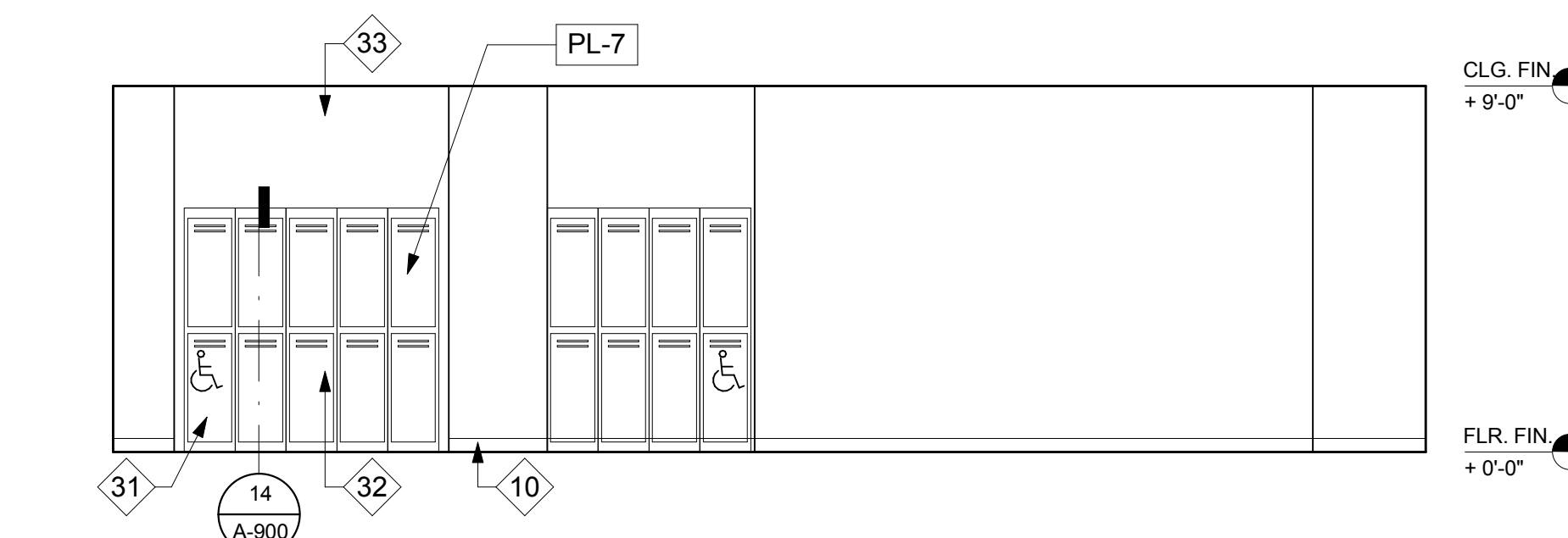
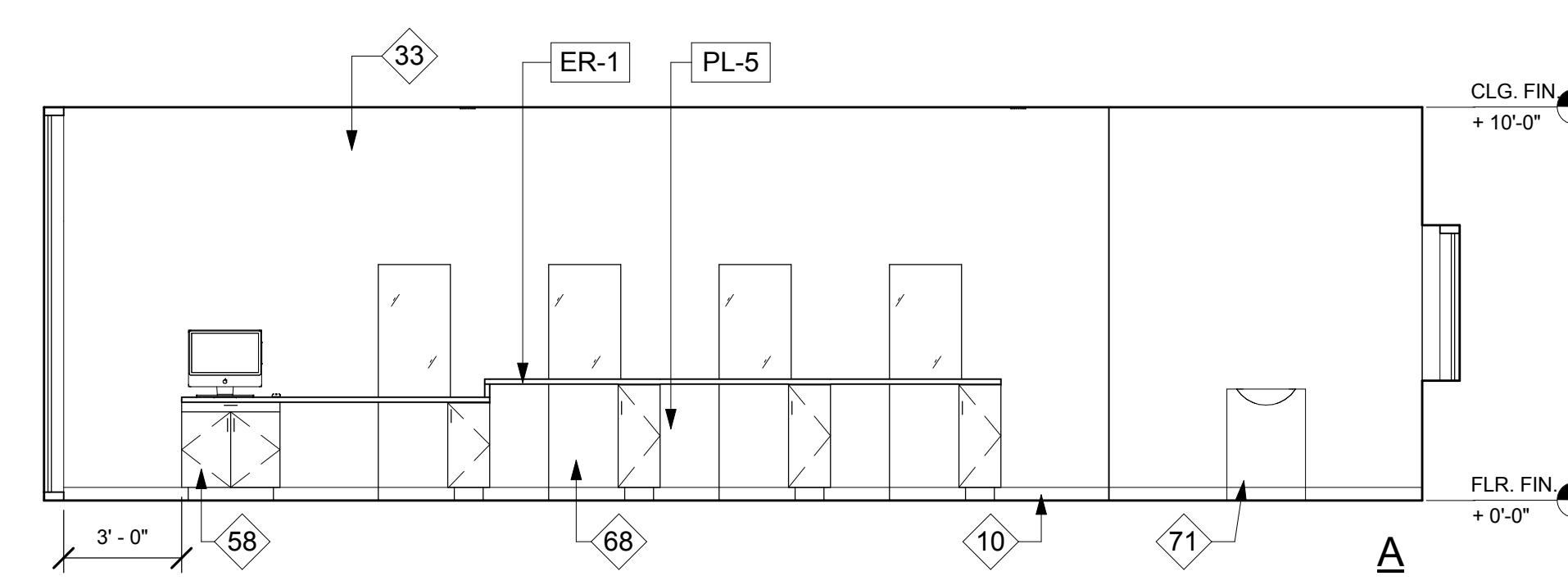
**8 4-230 HAIR LAB**  
1/4" = 1'-0"



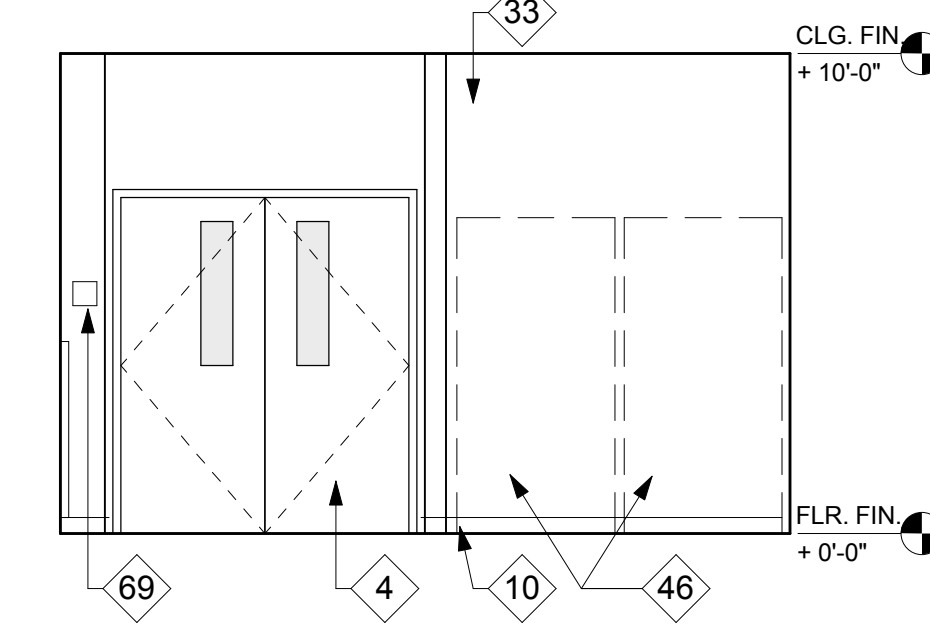
**7 4-206 SALON**  
1/4" = 1'-0"



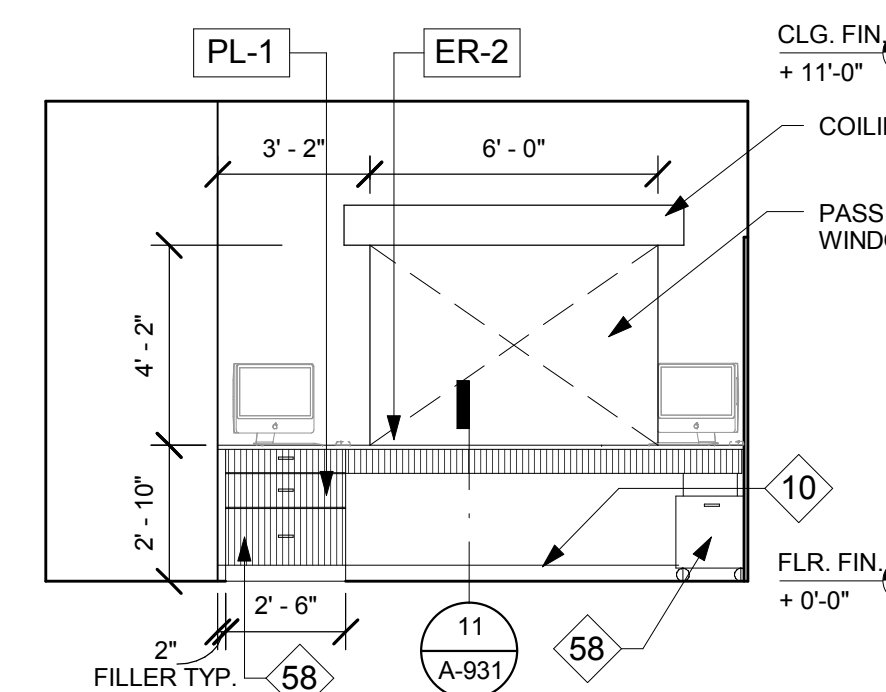
**9 4-230 HAIR LAB - ISLAND TABLES**  
1/4" = 1'-0"



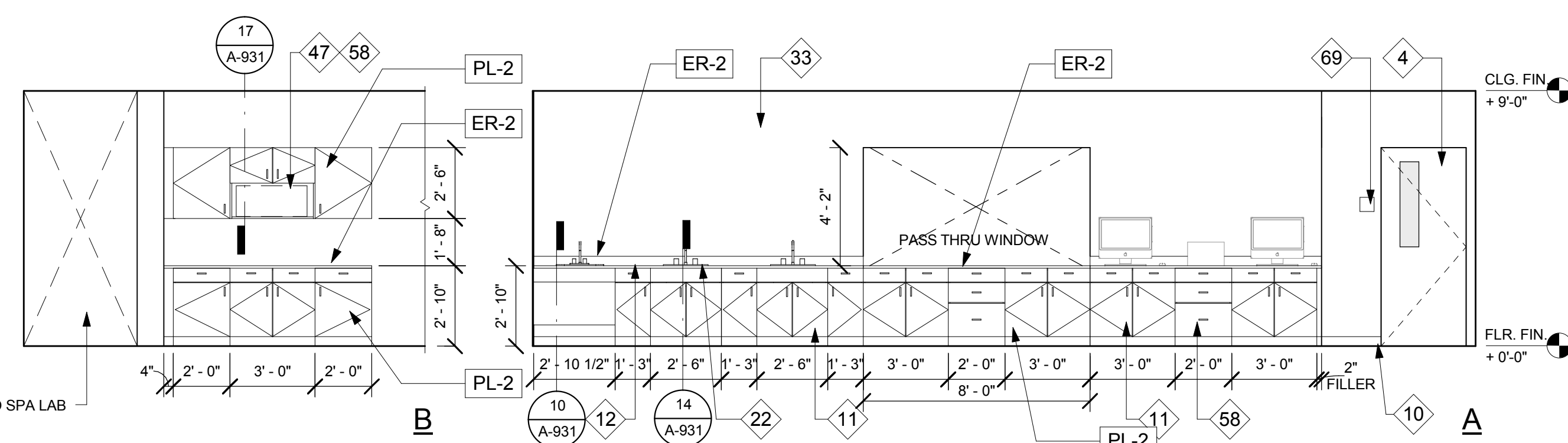
**6 4-140 STUDENT RESOURCES**  
1/4" = 1'-0"



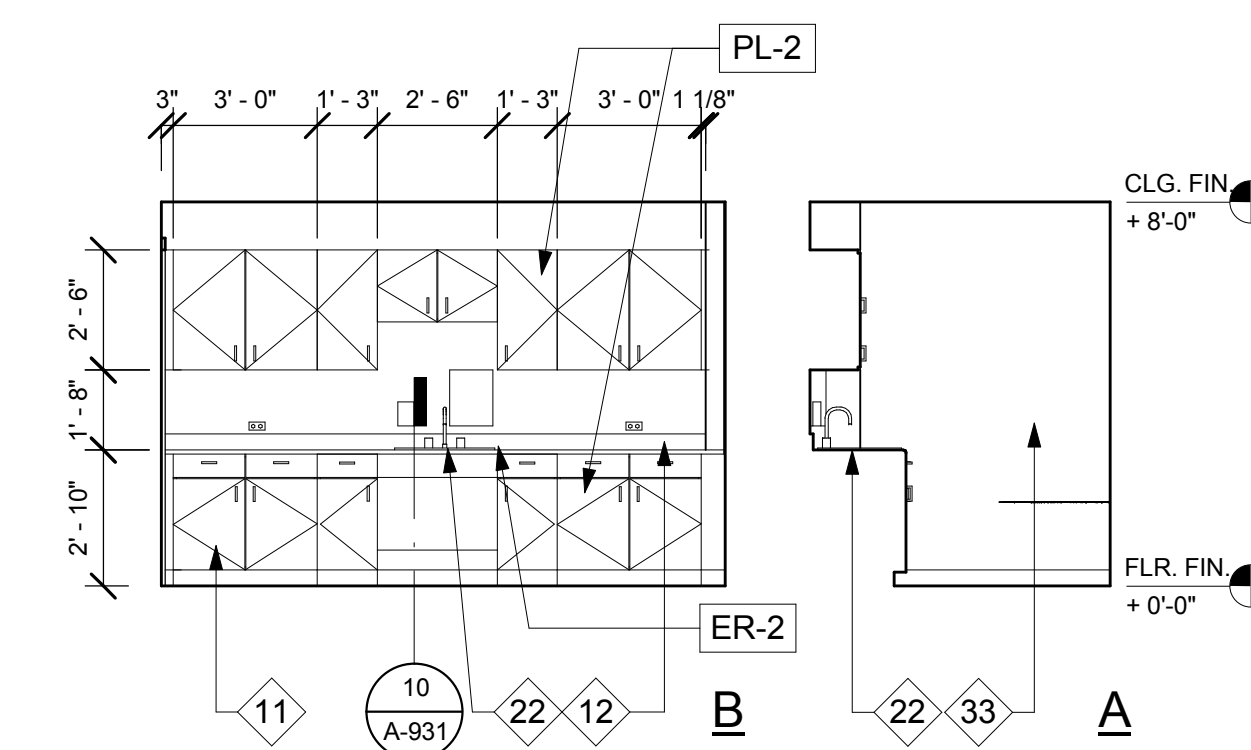
**5 4-193 VENDING MACHINE**  
1/4" = 1'-0"



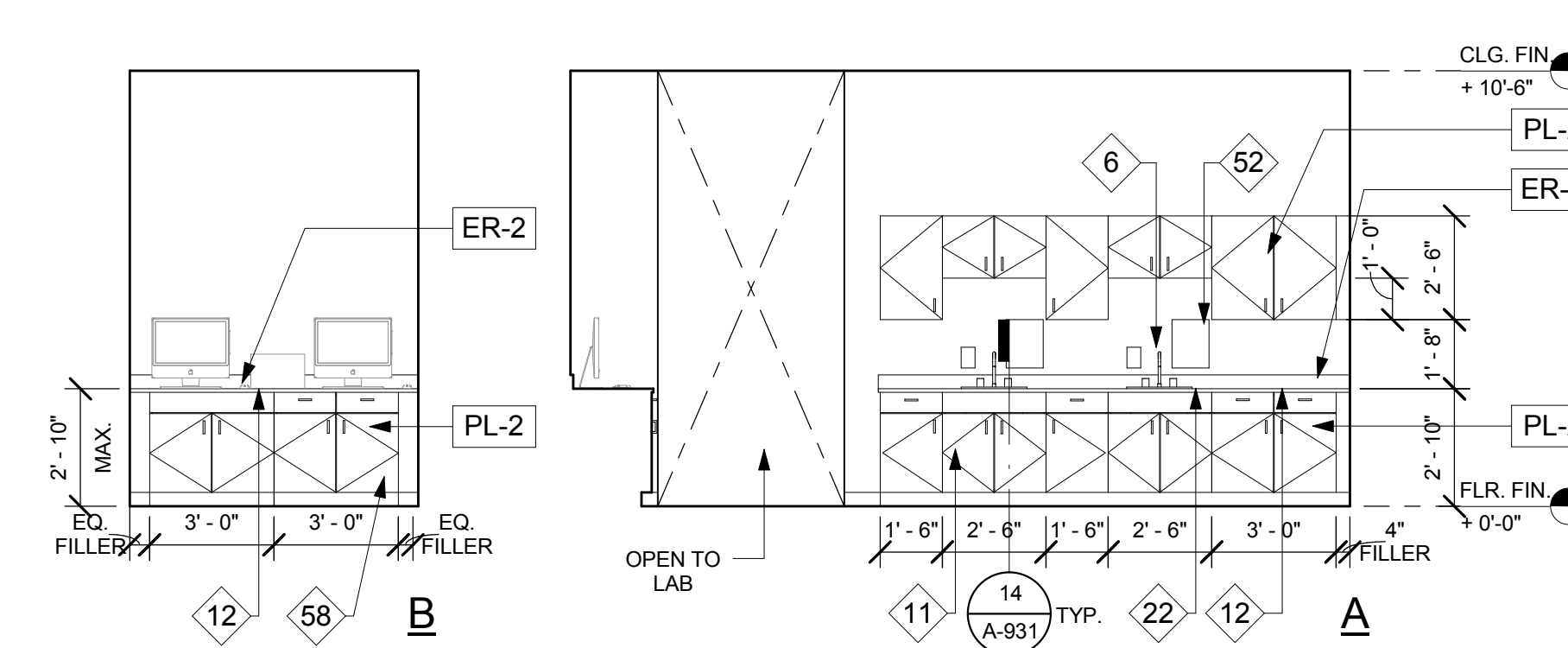
**4 4-230A RECEPTION DESK**  
1/4" = 1'-0"



**3 4-122 SPA LAB**  
1/4" = 1'-0"



**2 4-120A DISPENSARY**  
1/4" = 1'-0"



**1 4-120 EST LAB SINK**  
1/4" = 1'-0"