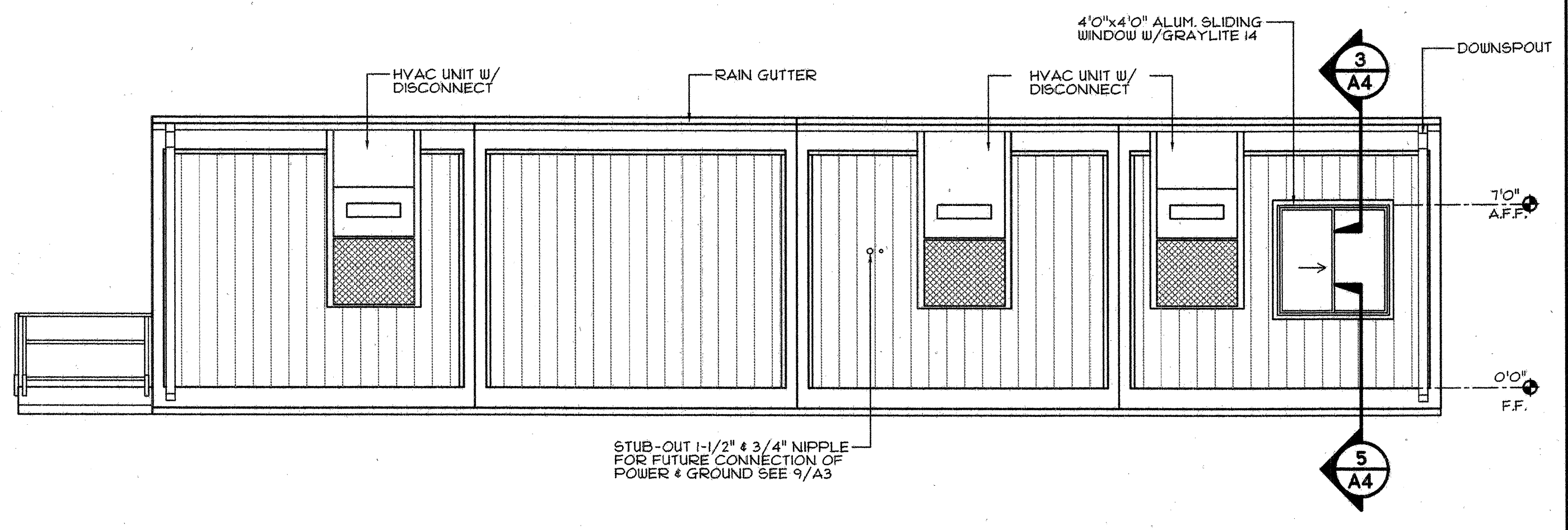
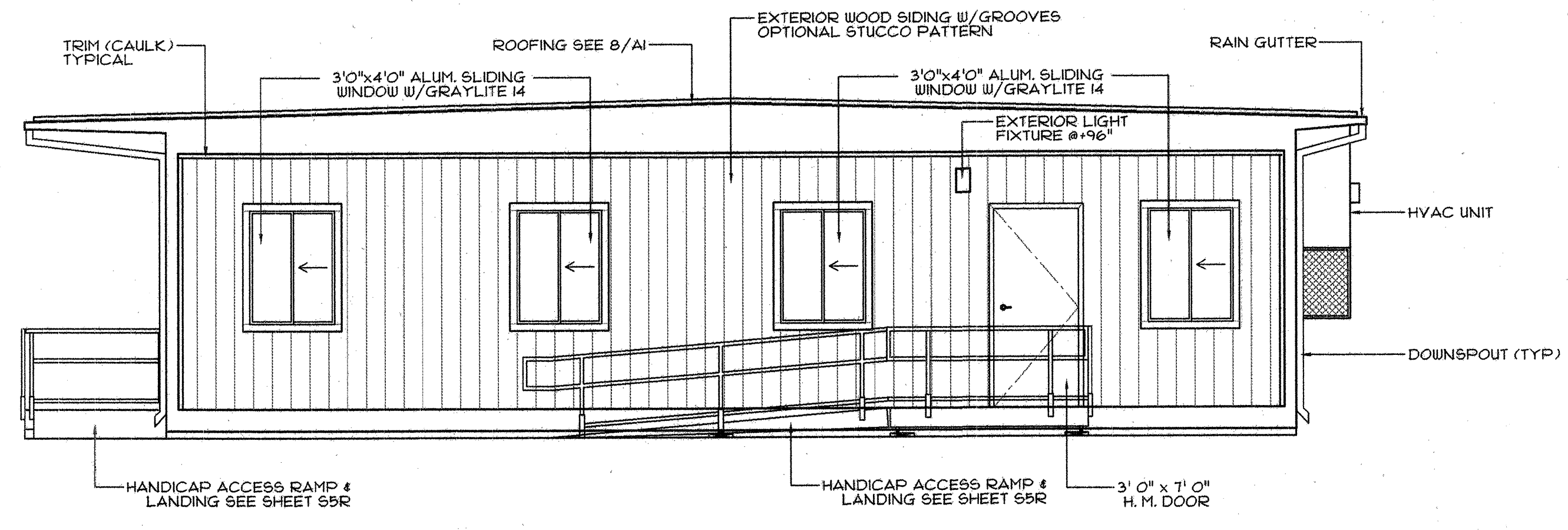


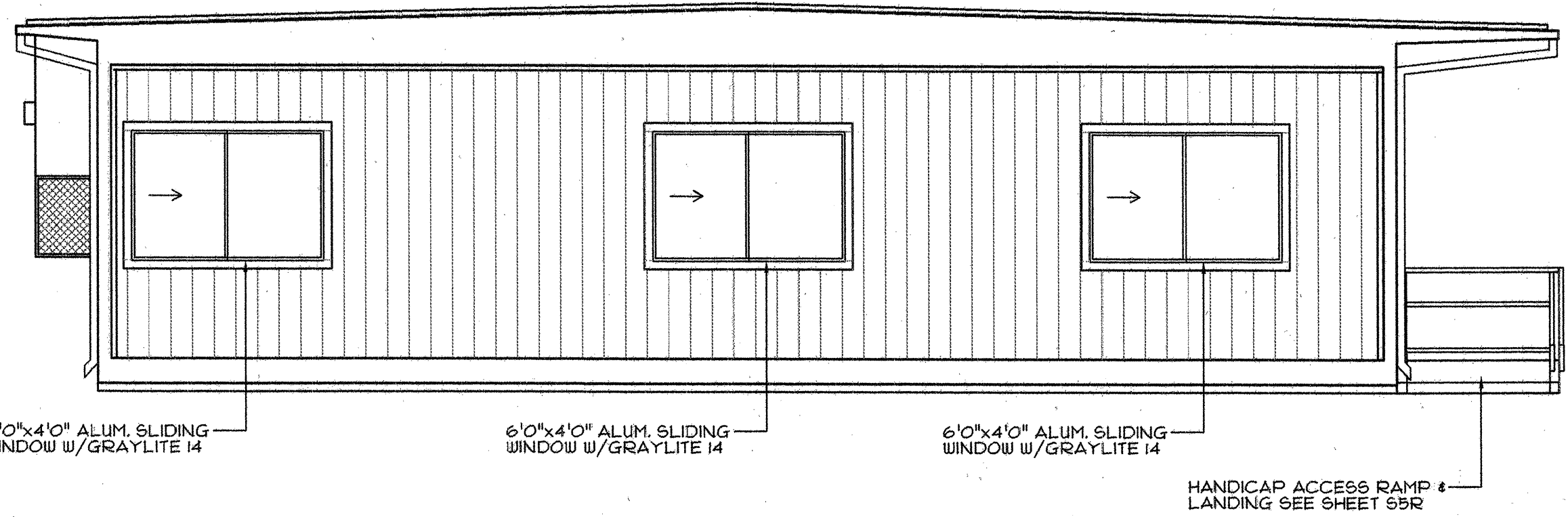
1 END WALL EXTERIOR ELEVATION
SCALE: 1/4"=1'-0"



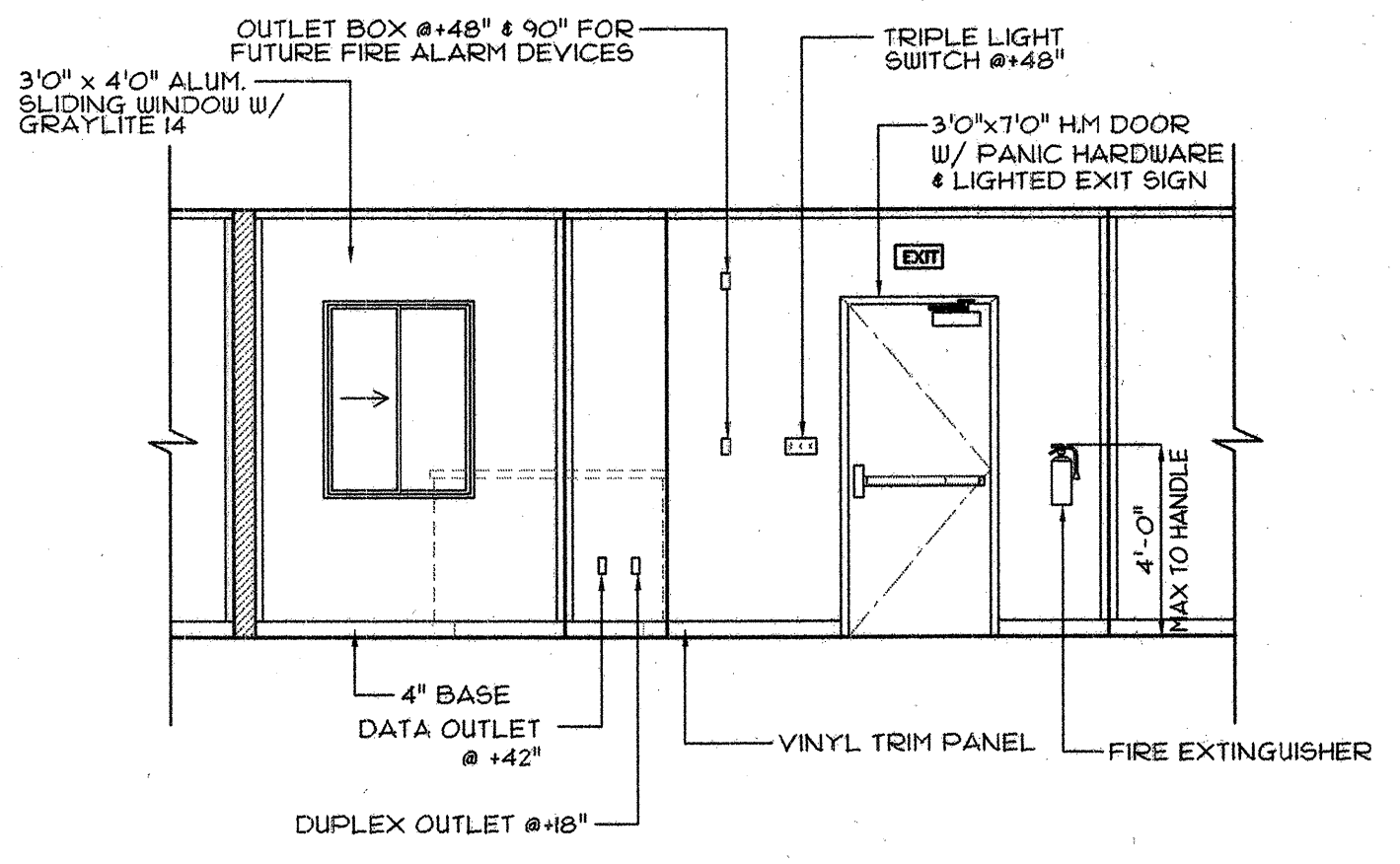
2 END WALL EXTERIOR ELEVATION
SCALE: 1/4"=1'-0"



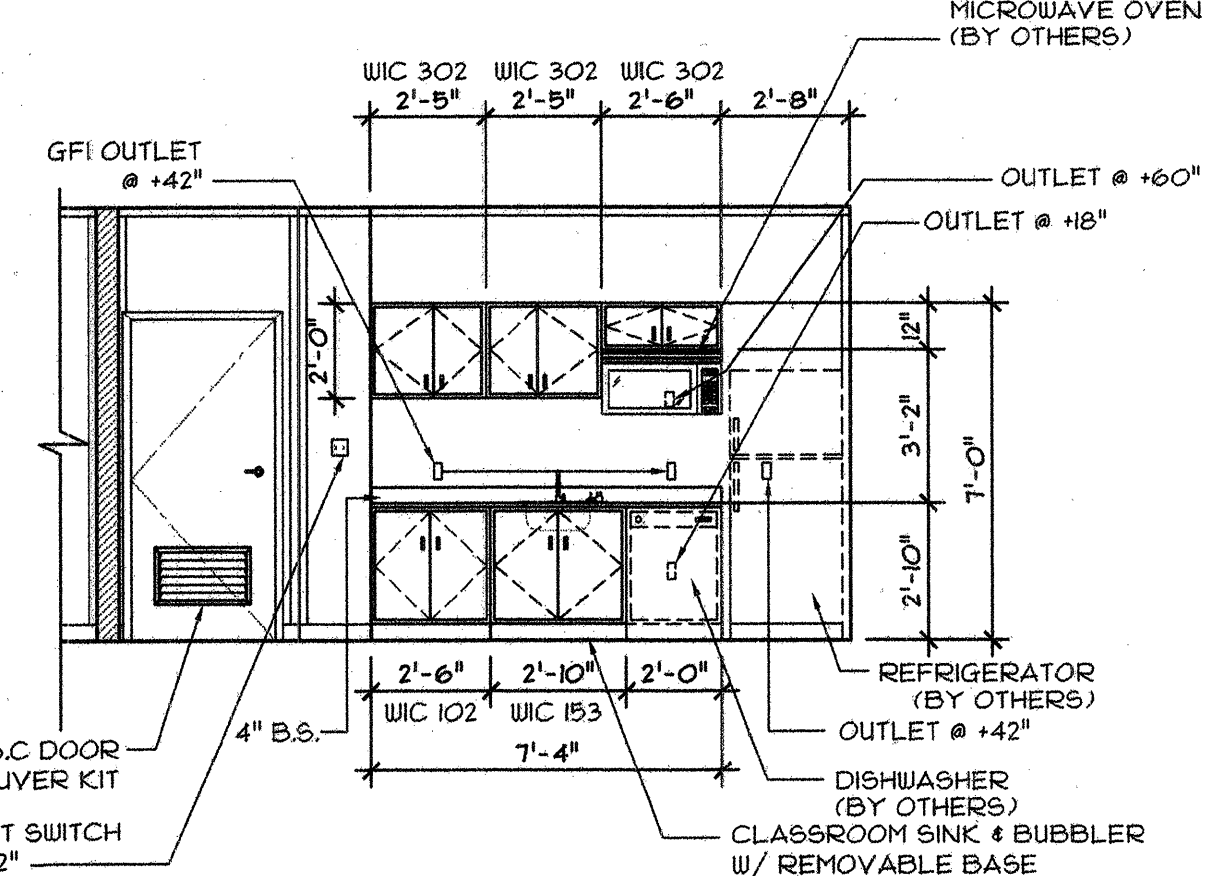
3 SIDE WALL EXTERIOR ELEVATION
SCALE: 1/4"=1'-0"



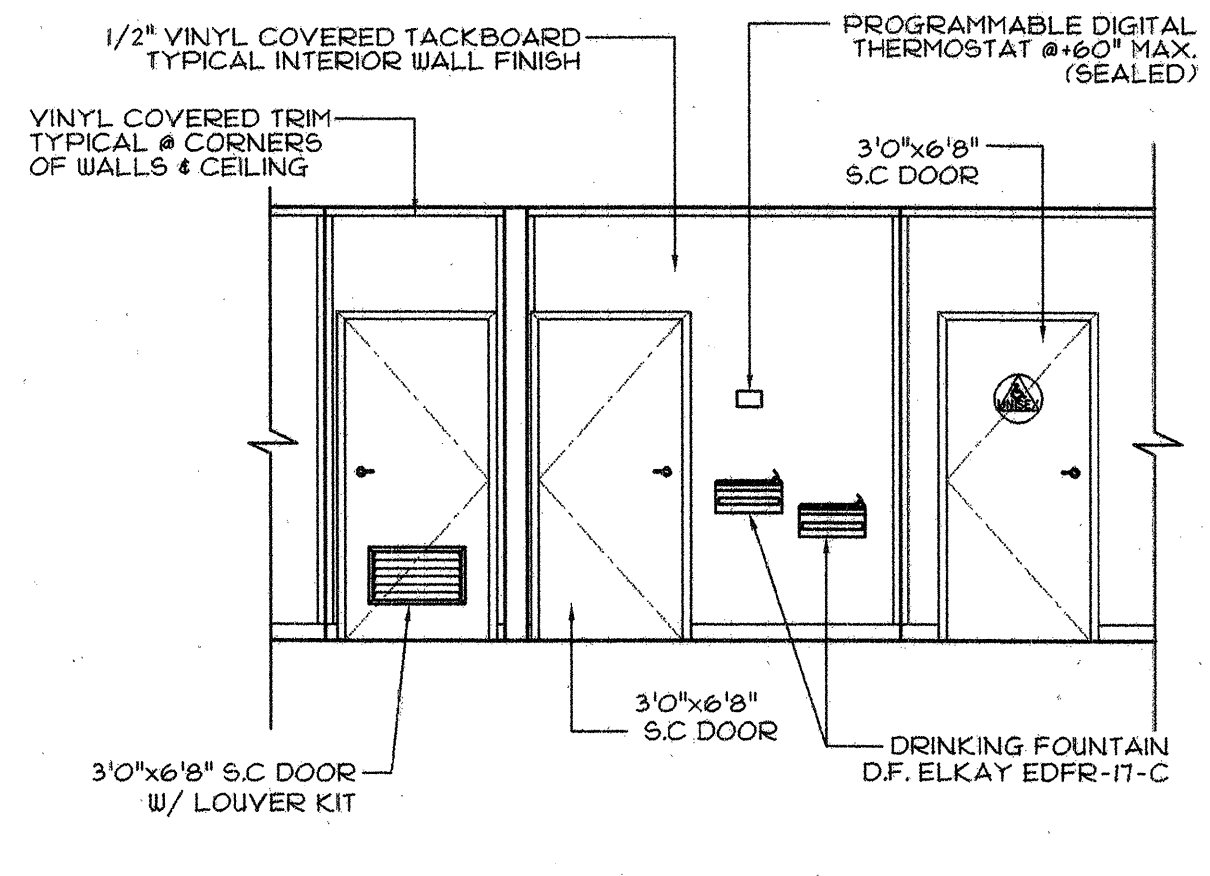
4 SIDE WALL EXTERIOR ELEVATION
SCALE: 1/4"=1'-0"



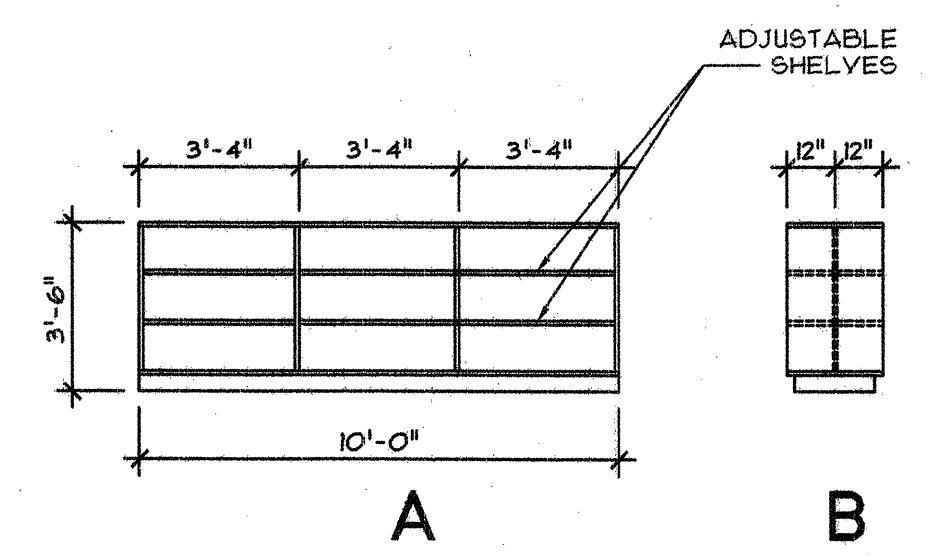
5 END WALL INTERIOR ELEVATION
SCALE: 1/4"=1'-0"



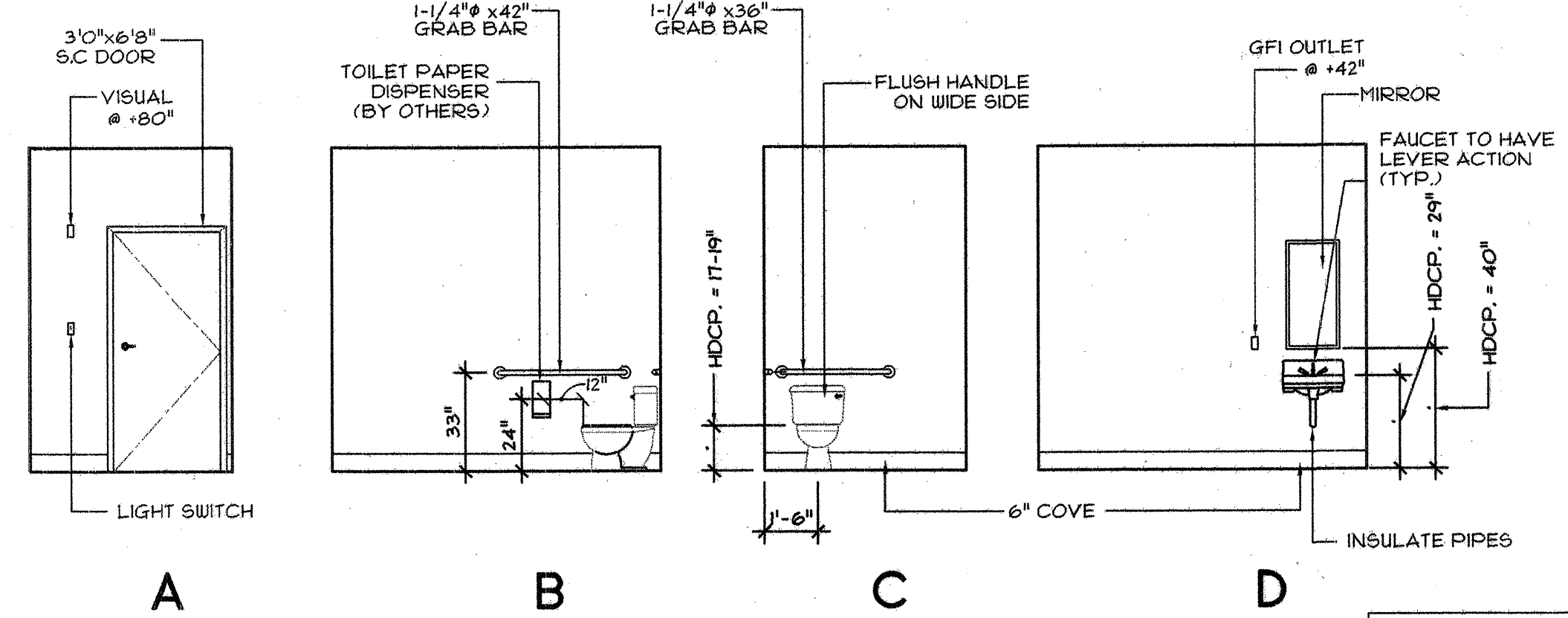
6 BREAK ROOM ELEVATION
SCALE: 1/4"=1'-0"



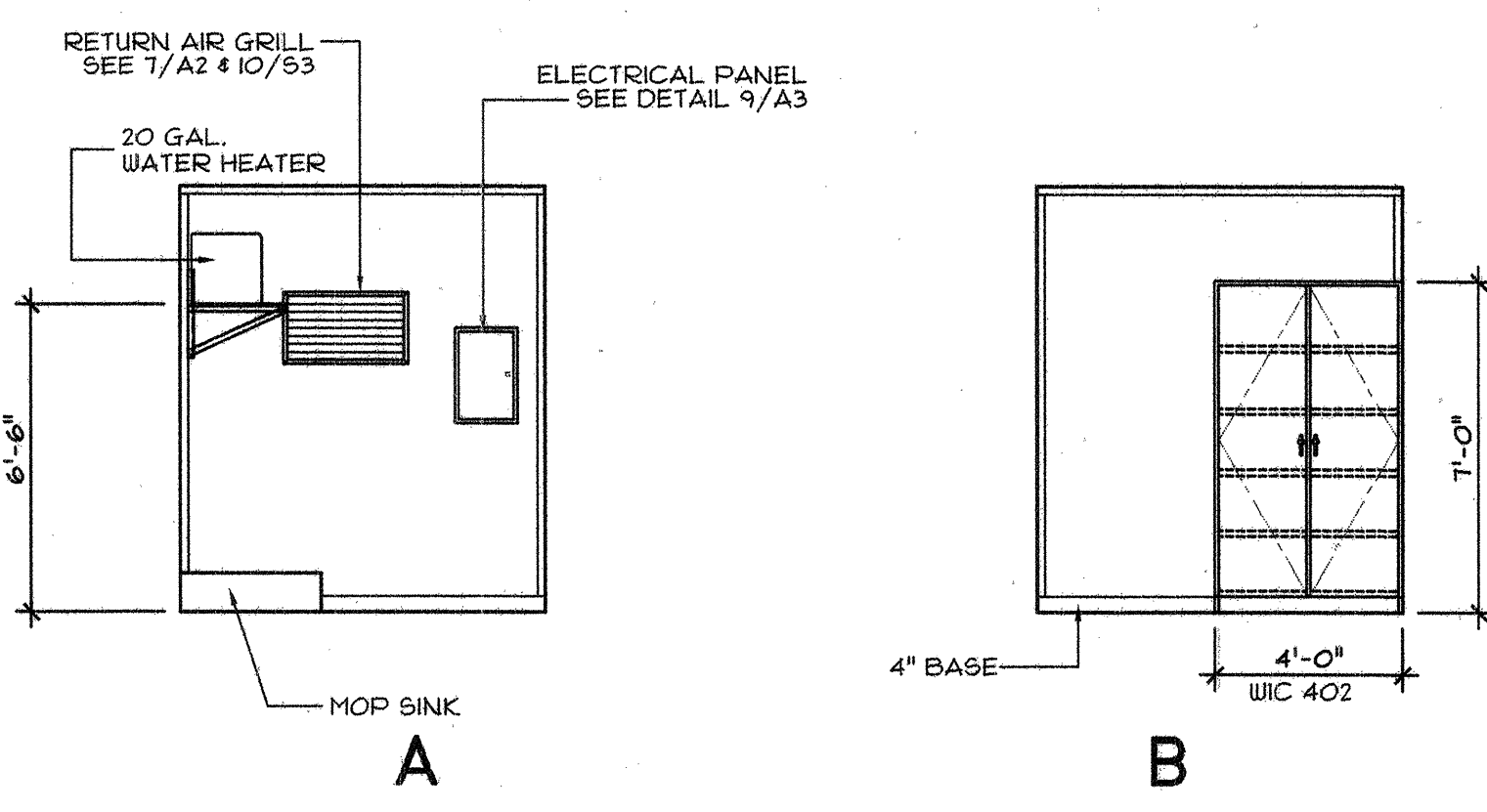
7 DRINKING FOUNTAIN ELEVATION
SCALE: 1/4"=1'-0"



8 DOUBLE SIDED BOOK SHELVES
SCALE: 1/4"=1'-0"



9 (TYPICAL ADULT'S) RESTROOM ELEVATION
SCALE: 1/4"=1'-0"



10 JANITOR/SUPPLY ROOM
SCALE: 1/4"=1'-0"

DIVISION OF THE STATE ARCHITECT

IDENTIFICATION STAMP
DIVISION OF THE STATE ARCHITECT

APPL01 104070
AC VS FLS SS C/PT
DATE

LICENSED ARCHITECT
GENE M. SUGIMURA
C 007104
REN. 3/10/02
STATE OF CALIFORNIA

REVISION DATE: BY:

DESIGN CRITERIA

ROOF: DEAD LOAD - 8.0 PSF
ROOF: LIVE LOAD - 20.0 PSF (SNOW)

FLOOR: DEAD LOAD - 8.0 PSF
FLOOR: LIVE LOAD - 50.0 PSF 70.0 PSF
(OPTIONAL) FLOOR: LIVE LOAD 70.0 PSF
(OPTIONAL) FLOOR: LIVE LOAD 125.0 PSF

WALLS: DEAD LOAD - 8.0 PSF
WIND: 80 MPH; EXPOSURE: C
qs=16.4 PSF; Co=1.05; Cq AS REQ.
SEISMIC: ZONE-4, R=4.5, Ss=2.8, Ns=1.5, Cs=0.44, Nc=2.0, Cc=64N.

THIS MODULAR BLDG. HAS BEEN ENGINEERED BY A REGISTERED STRUCTURAL ENGINEER AND PREVIOUSLY REVIEWED & APPROVED BY THE DIVISION OF THE STATE ARCHITECT, FIRE & LIFE SAFETY AND ACCESS COMPLIANCE SECTION

CONFIDENTIAL MATERIAL—THESE DOCUMENTS ARE THE PROPERTY OF AND ARE NOT TO BE REPRODUCED OR DISTRIBUTED WITHOUT FULL KNOWLEDGE AND WRITTEN CONSENT FROM ENVIROPLEX, INC.
© COPYRIGHT 2001 ENVIROPLEX, INC. (DRAWINGS PREPARED BY ENVIROPLEX, INC.)

11 APPROVALS

JH Lawler, Inc.
Structural Engineers
717 16th STREET, SUITE 1143
MANTENO, CA 95354
(209) 521-1143 FAX (209) 521-1108



ENVIROPLEX, INC.
4777 E. CARPENTER ROAD STOCKTON, CA. 95215
48'x40' RELOCATABLE CLASSROOMS FOR SKYLINE COLLEGE
© FACILITIES MAINTENANCE CENTER

EXTERIOR & INTERIOR ELEVATIONS

C:\p01\2001\dwg\SKYLINE COLLEGE\01-053-SKYLINE COLLEGE\11a.dwg Thu Sep 13 11:43:45 2001