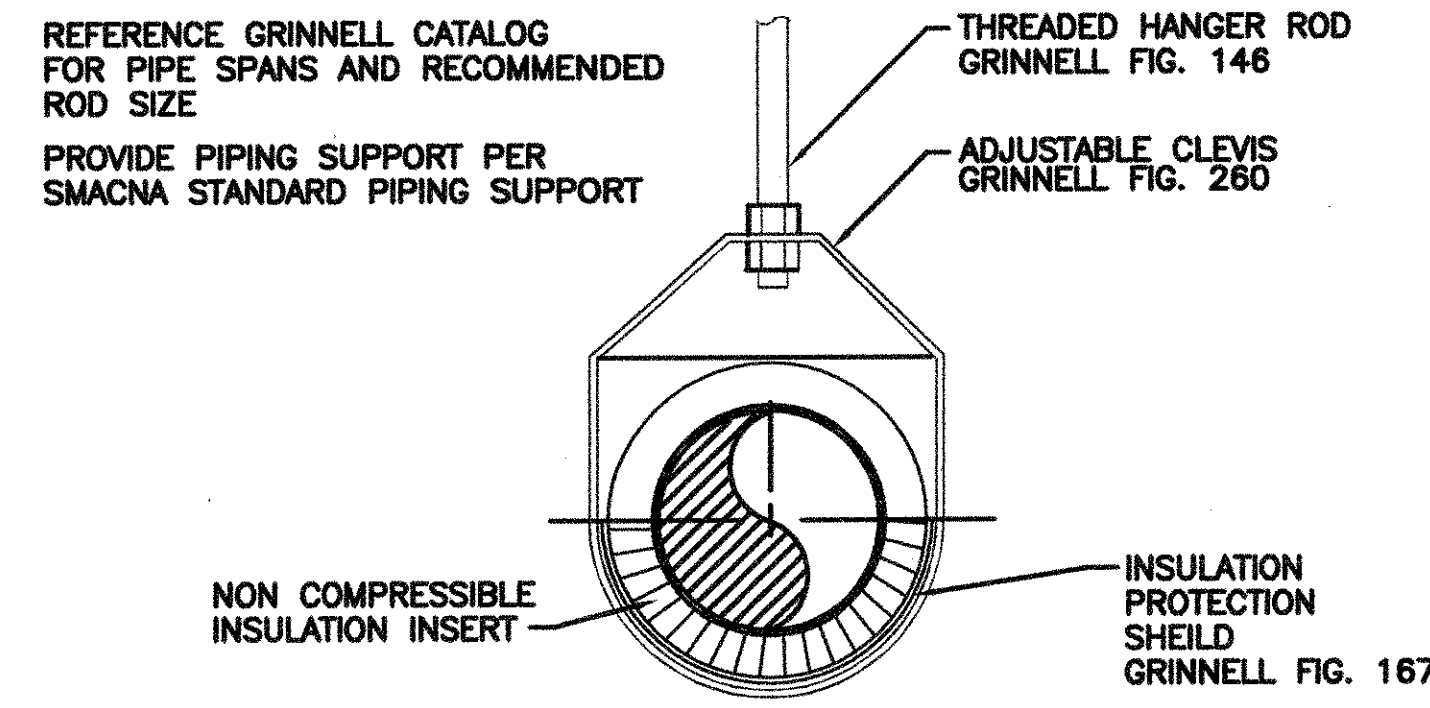
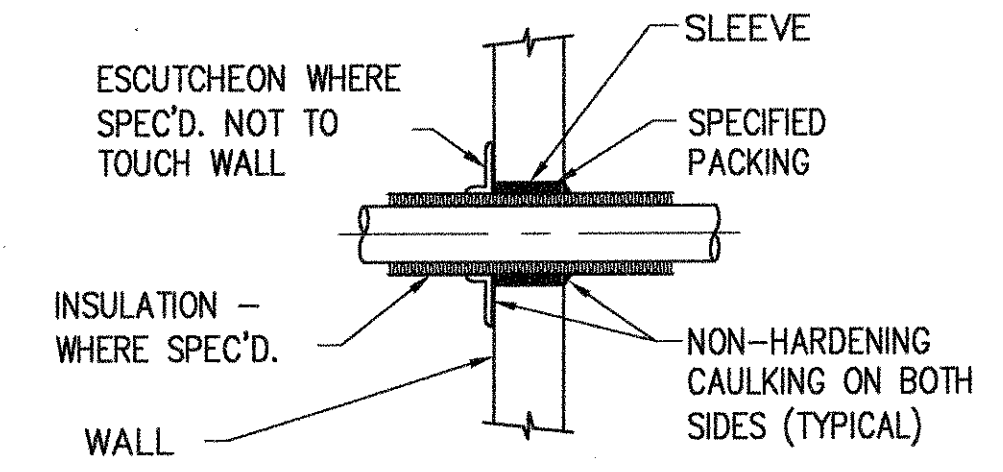


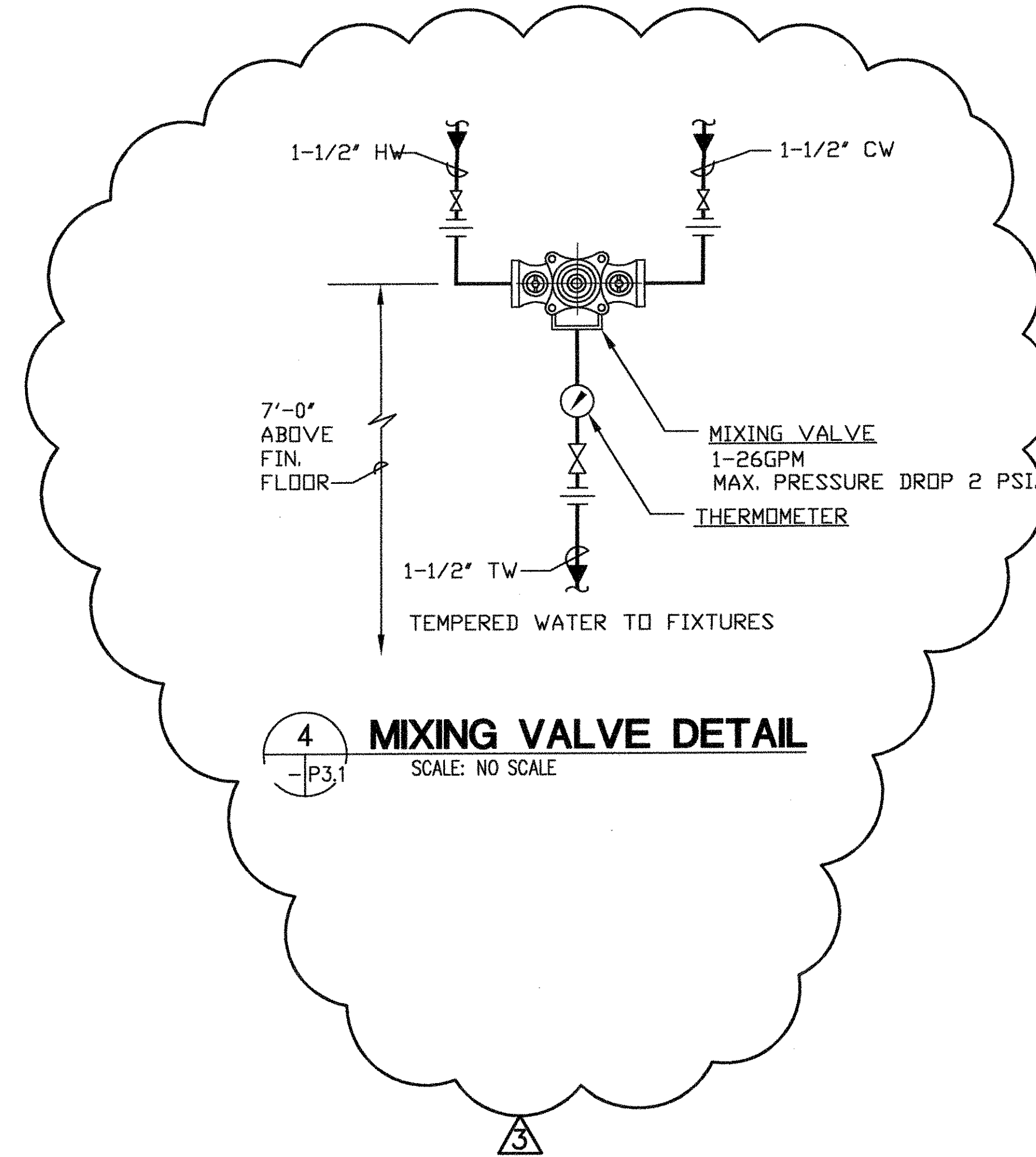
1 WATER HEATER PIPING DETAIL
SCALE: NO SCALE



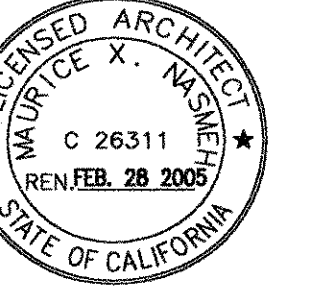
2 SINGLE INSULATED PIPE SUPPORT
SCALE: NO SCALE
NONE INSULATED PIPE SUPPORT IS SIMILAR



3 PIPE THRU WALL DETAIL
SCALE: NO SCALE



4 MIXING VALVE DETAIL
SCALE: NO SCALE



IDENTIFICATION STAMP
PROJECT
OFFICE OF REGULATION SERVICES
FILE NO. _____
APP. NO. _____
DATE _____
Division of the State Architect
Regional Office
835 Clay St., Suite 1701
Oakland, CA 94612

DETAILS
PACIFIC HEIGHTS MIDDLE SCHOOL
SKYLINE COLLEGE SWING SPACE
PERMIT PACKAGE #3
SKYLINE COLLEGE
3300 COLLEGE DRIVE
SAN BRUNO, CA 94066

REVISIONS
NO. ITEM DATE

3 Miscellaneous
Changes 7/01/04

CLIENT APPROVAL:
DRAWN BY: **MM**
CHECKED BY: **IR**
JOB NO: 2145.002 DATE: 13 FEB 2004