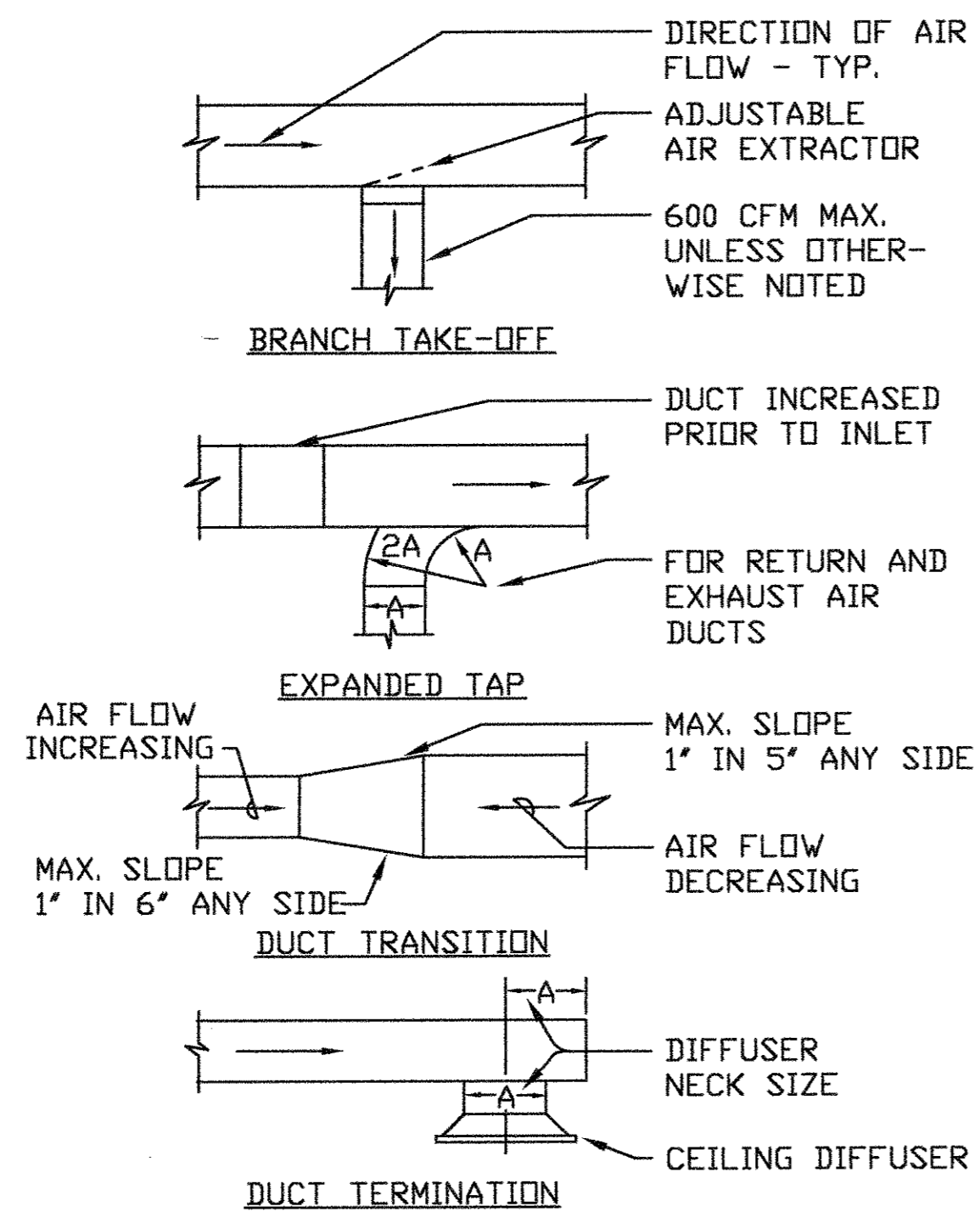
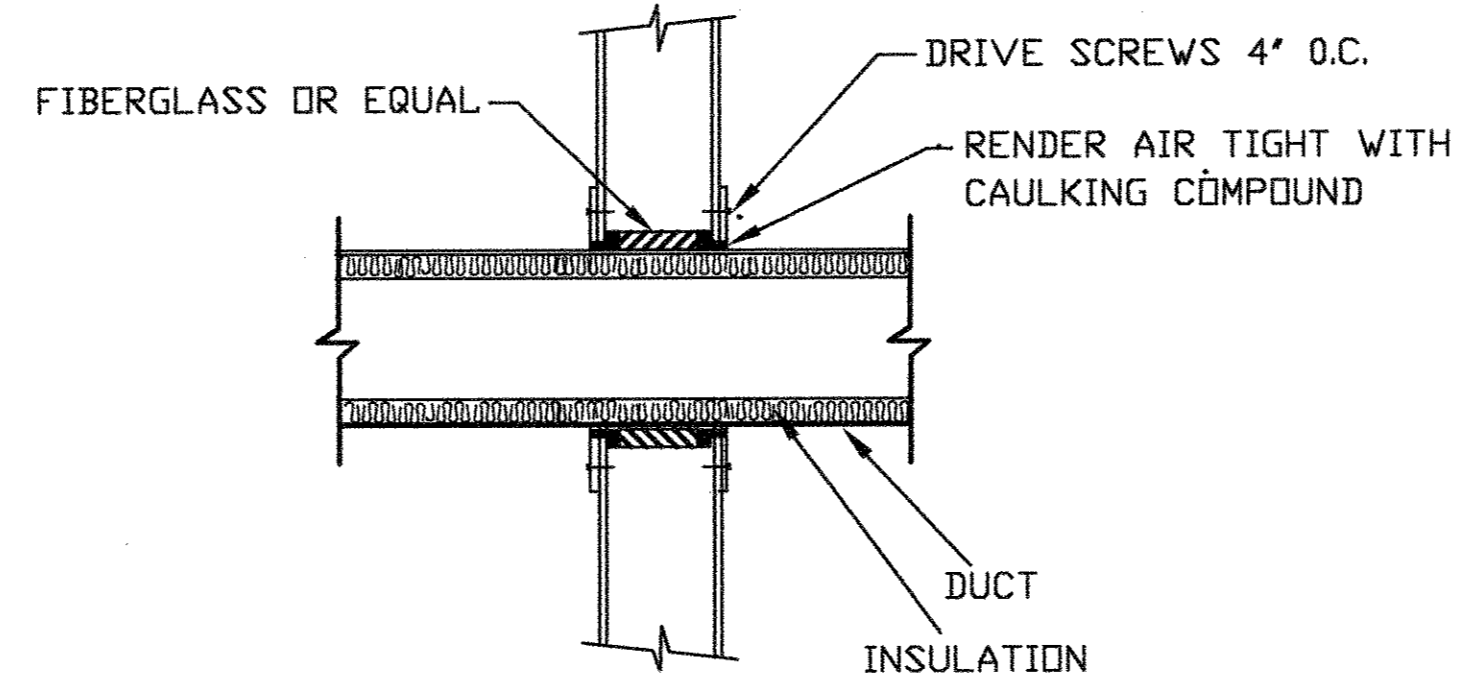


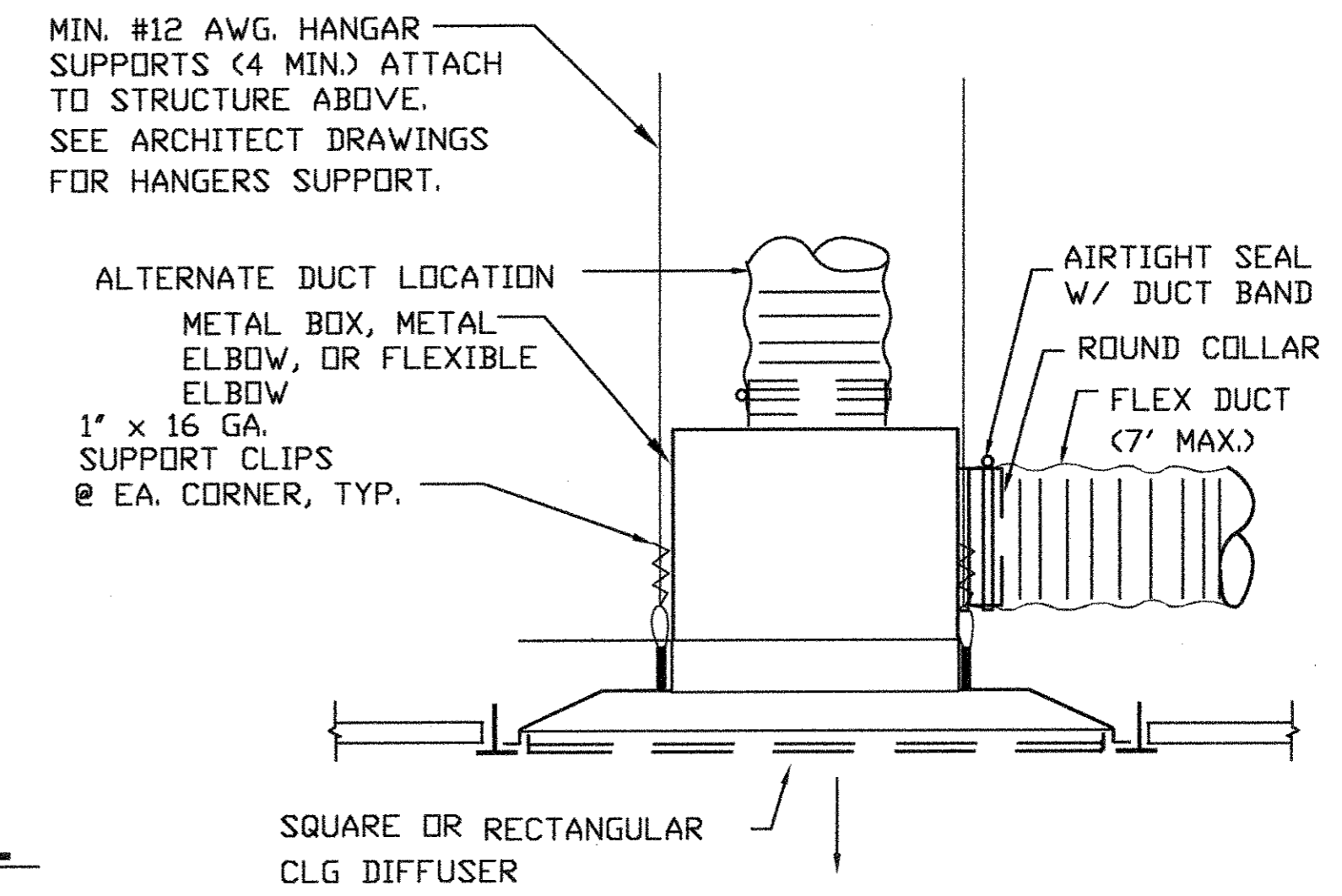
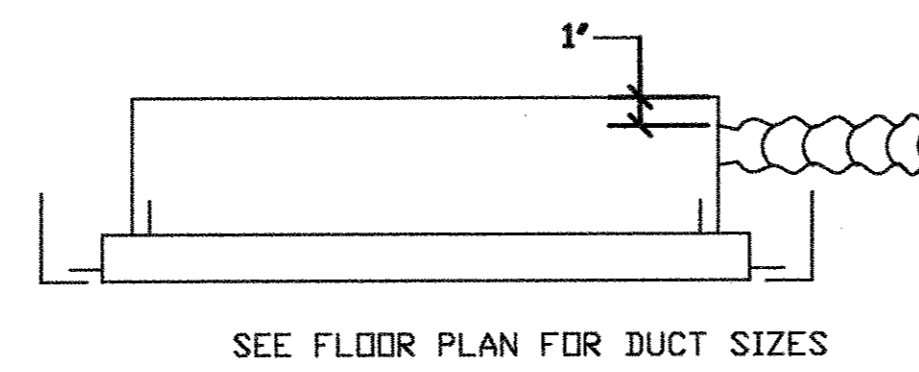
1 **TYPICAL RECTANGULAR DUCT FITTING DETAIL**
SCALE: NO SCALE



2 **SQUARE NECK RETURN GRILLE DUCT CONNECTION DETAIL**
SCALE: NO SCALE

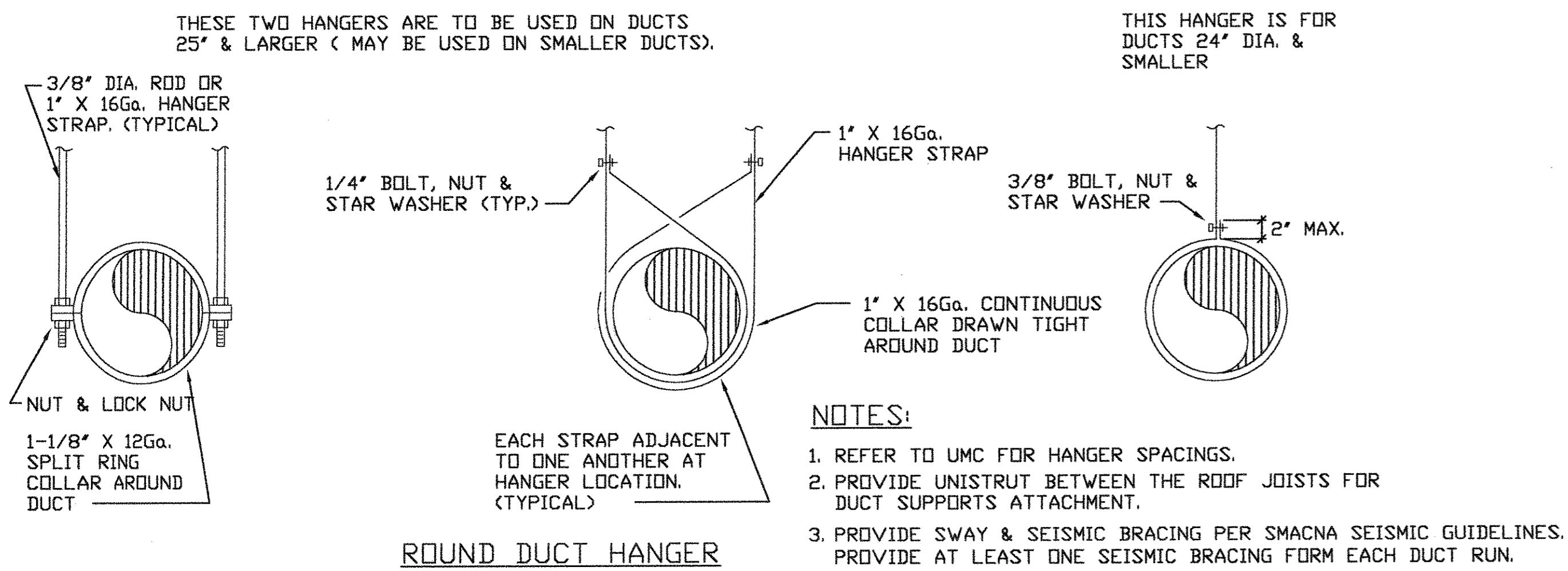


3 **DUCT THRU STUD WALL, CONCRETE WALL AND FLOOR DETAIL**
SCALE: NO SCALE

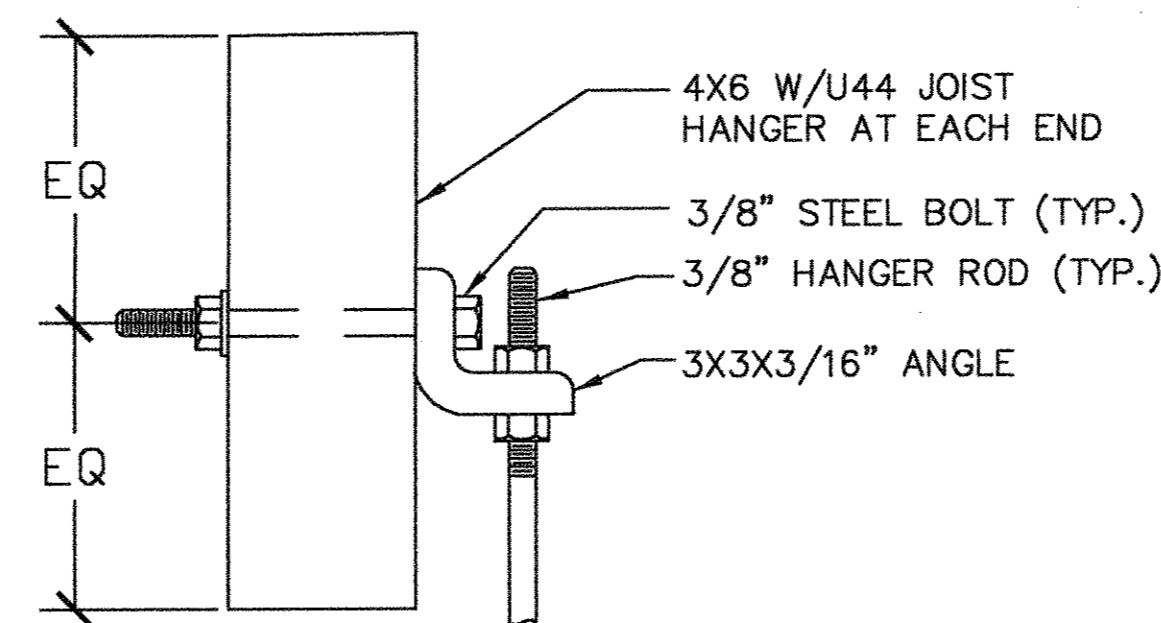


- NOTES:
1. INSTALL CEILING RETURN GRILLES SIMILAR
2. ATTACH FLEX DUCT TO COLLAR W/ STAINLESS STEEL DRAW BAND AND TAPE OVER THE DRAW BAND. (TYP.)
3. PROVIDE VOLUME DAMPER ON BRANCH DUCT TO DIFFUSER AS FAR AS POSSIBLE IN ADDITION TO DIFFUSER'S DAMPER
4. PLENUM ATTACHMENTS AND HANGERS DETAIL ARE SIMILAR TO DETAIL

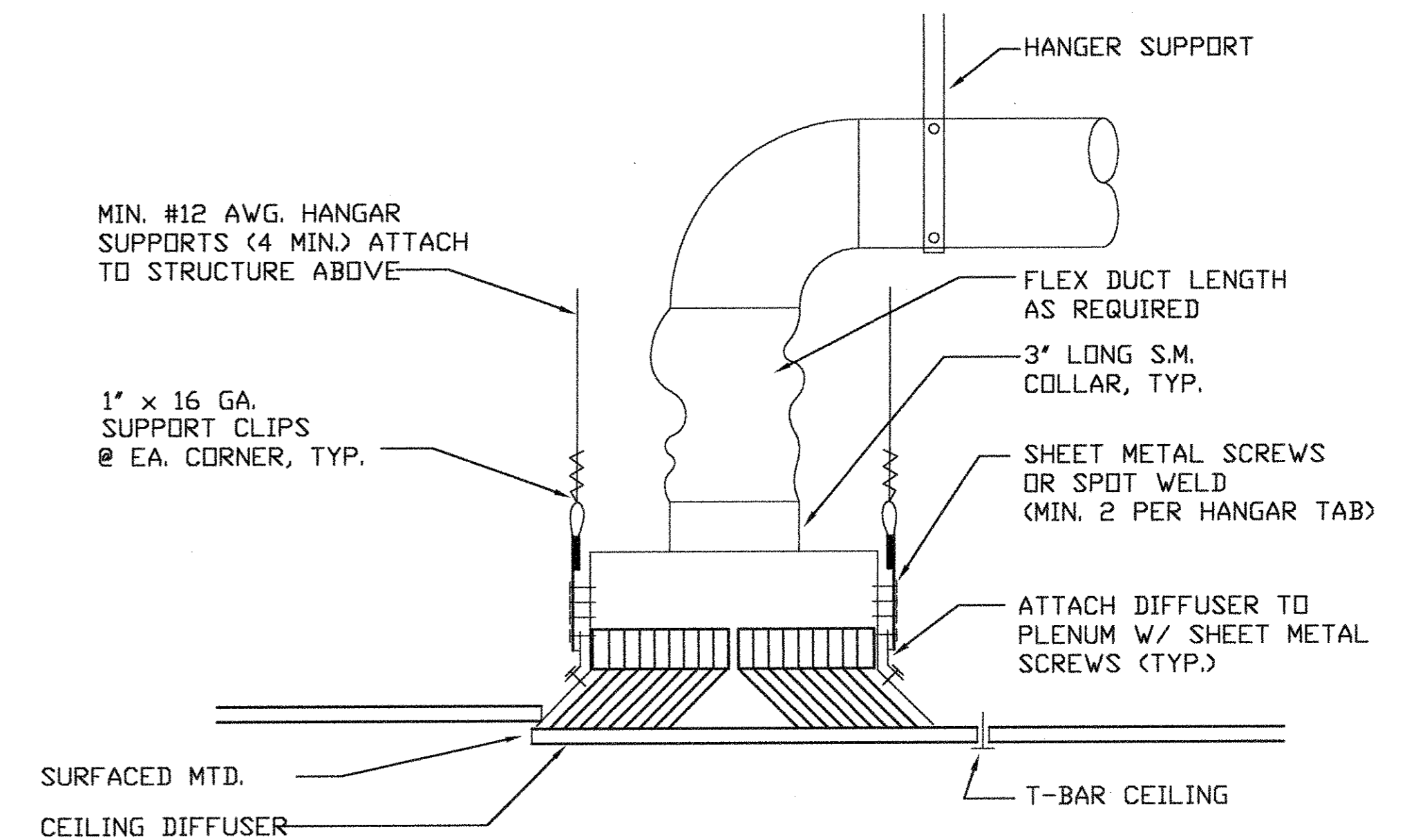
4 **FLEXIBLE DUCT TO CEILING DIFFUSER**
SCALE: NO SCALE



ROUND DUCT HANGER

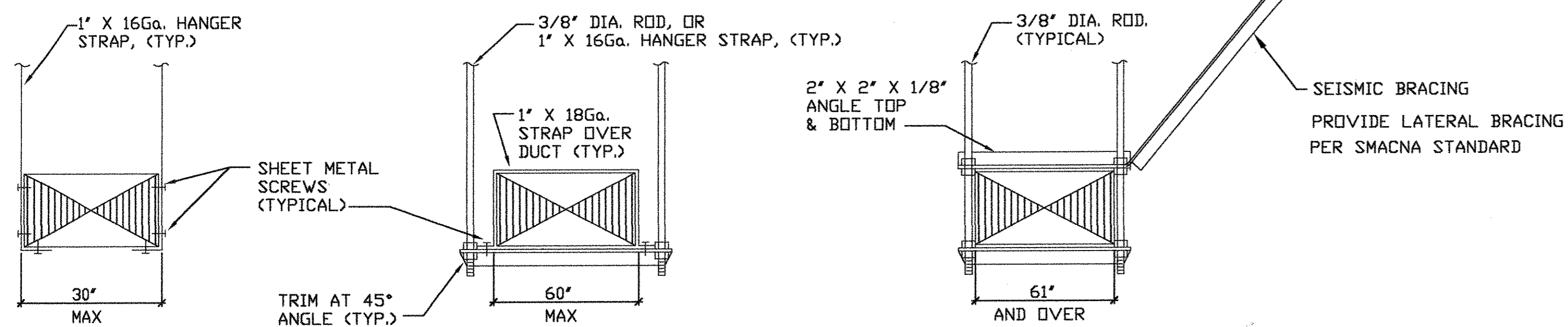


6 **HANGER ROD DETAIL**
SCALE: NO SCALE

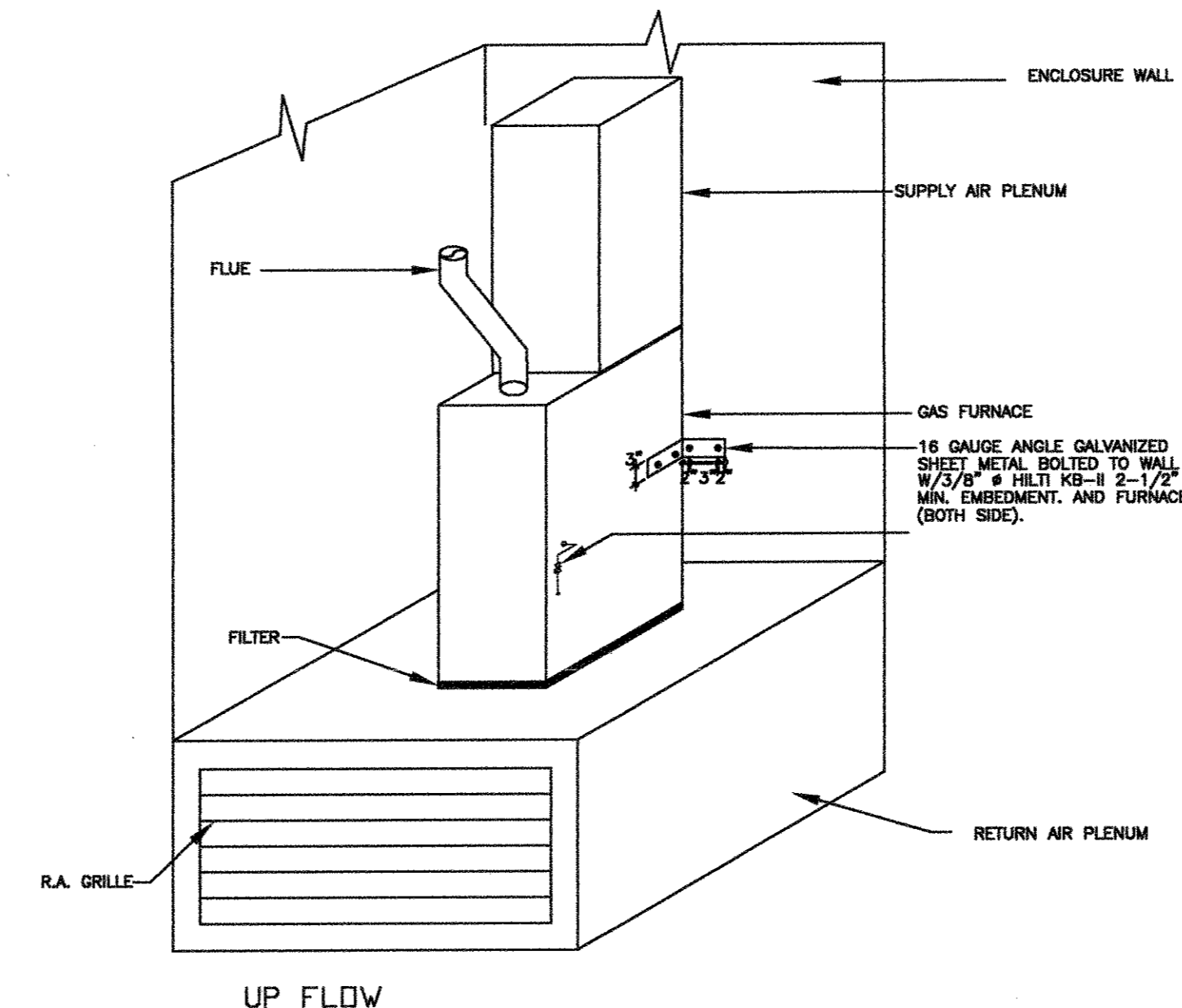


- NOTES:
1. INSTALL CEILING RETURN GRILLES SIMILAR
2. ATTACH FLEX DUCT TO COLLAR W/ STAINLESS STEEL DRAW BAND AND TAPE OVER THE DRAW BAND. (TYP.)
3. PROVIDE VOLUME DAMPER ON BRANCH DUCT TO DIFFUSER AS FAR AS POSSIBLE IN ADDITION TO DIFFUSER'S DAMPER

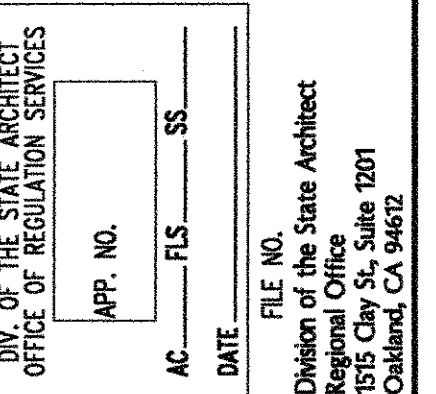
7 **TYP. CEILING SUPPLY DIFFUSER INSTALLATION**
SCALE: NO SCALE



5 **DUCT HANGER DETAILS**
SCALE: NTS



8 **FURNACE INSTALLATION DETAIL**
SCALE: NO SCALE



DETAILS
PACIFIC HEIGHTS MIDDLE SCHOOL
SKYLINE COLLEGE SWING SPACE
PERMIT PACKAGE #3
SKYLINE COLLEGE
3300 COLLEGE DRIVE
SAN BRUNO, CA 94066

REVISIONS		
NO.	ITEM	DATE

CLIENT APPROVAL:	
DRAWN BY: MN	CHECKED BY: RR
JOB NO: 2145,002	DATE: 13 FEB 2004