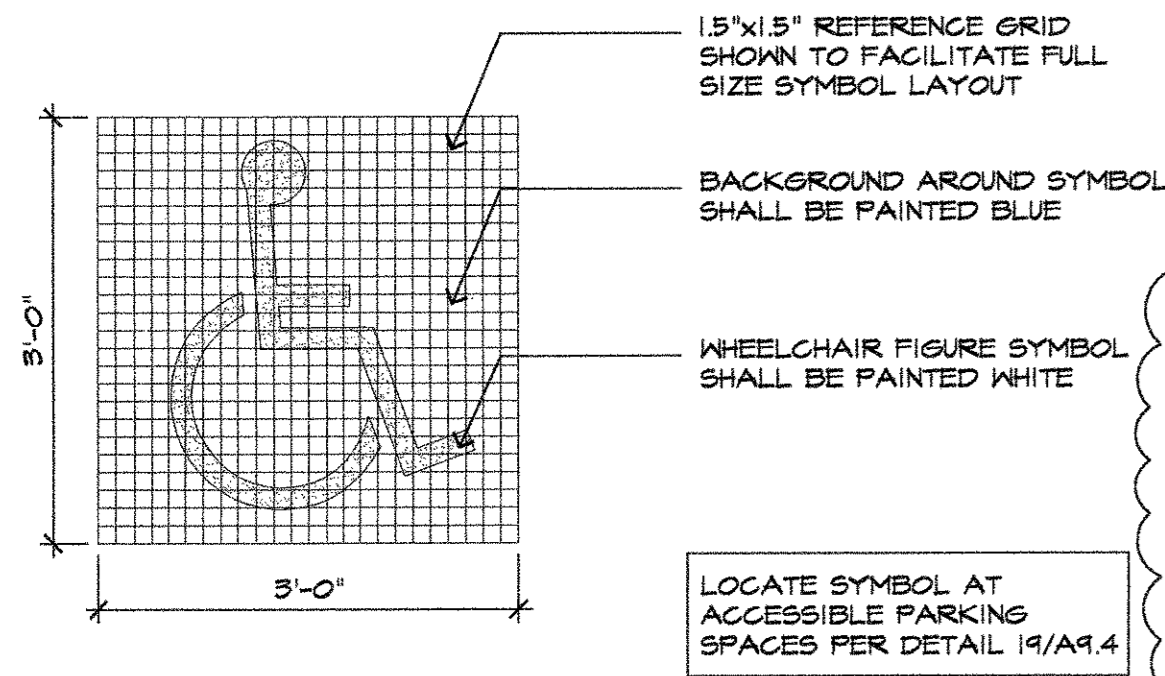
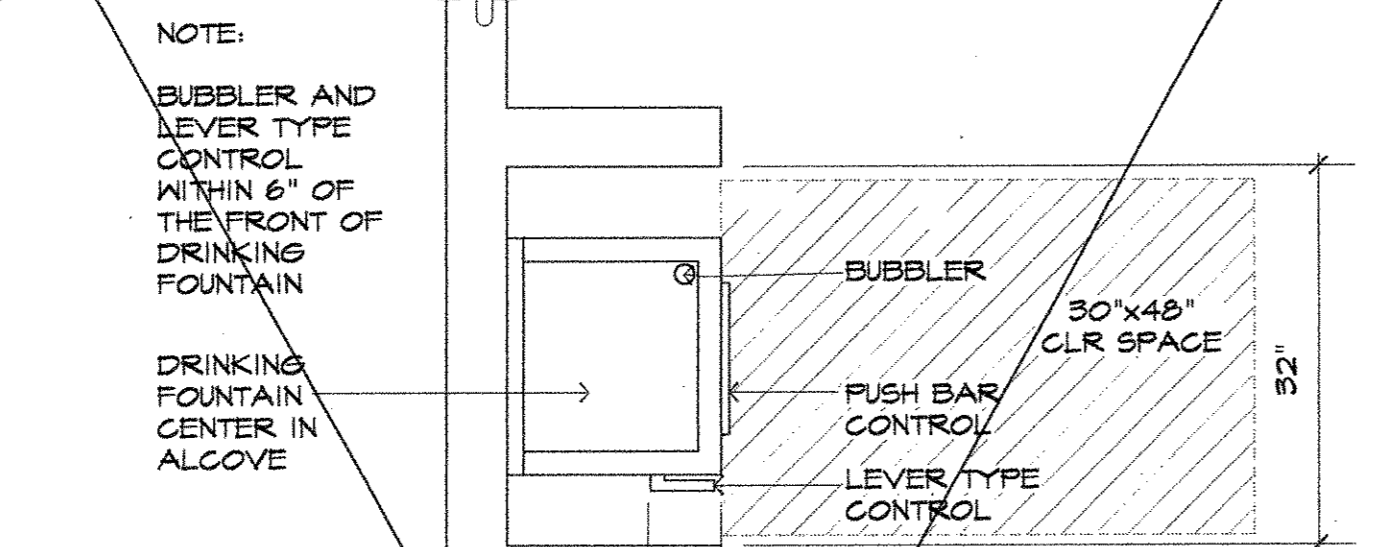


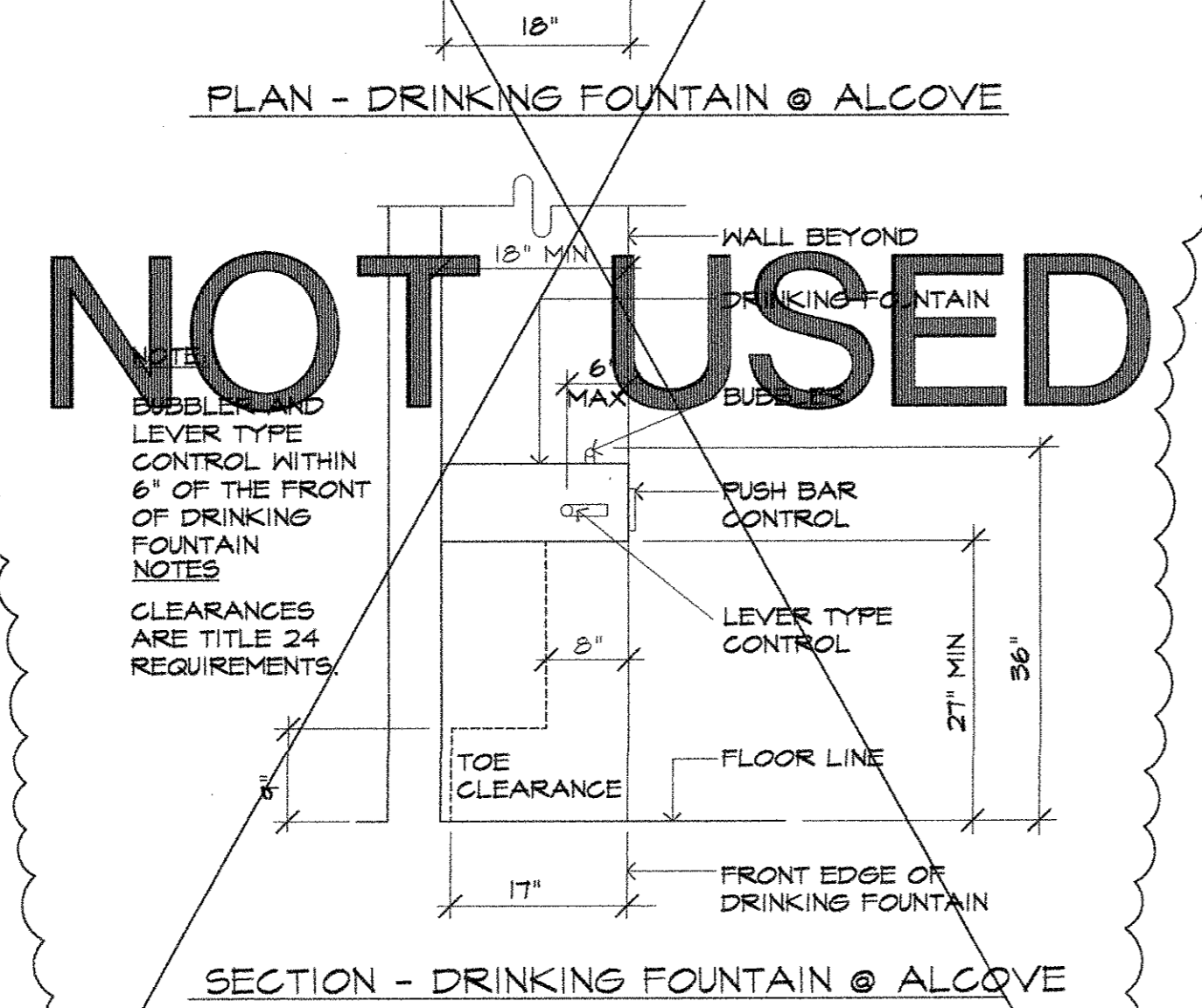
PA 2163.002 (PERMIT PKG 3) CAD (SETS) (02/20/04)



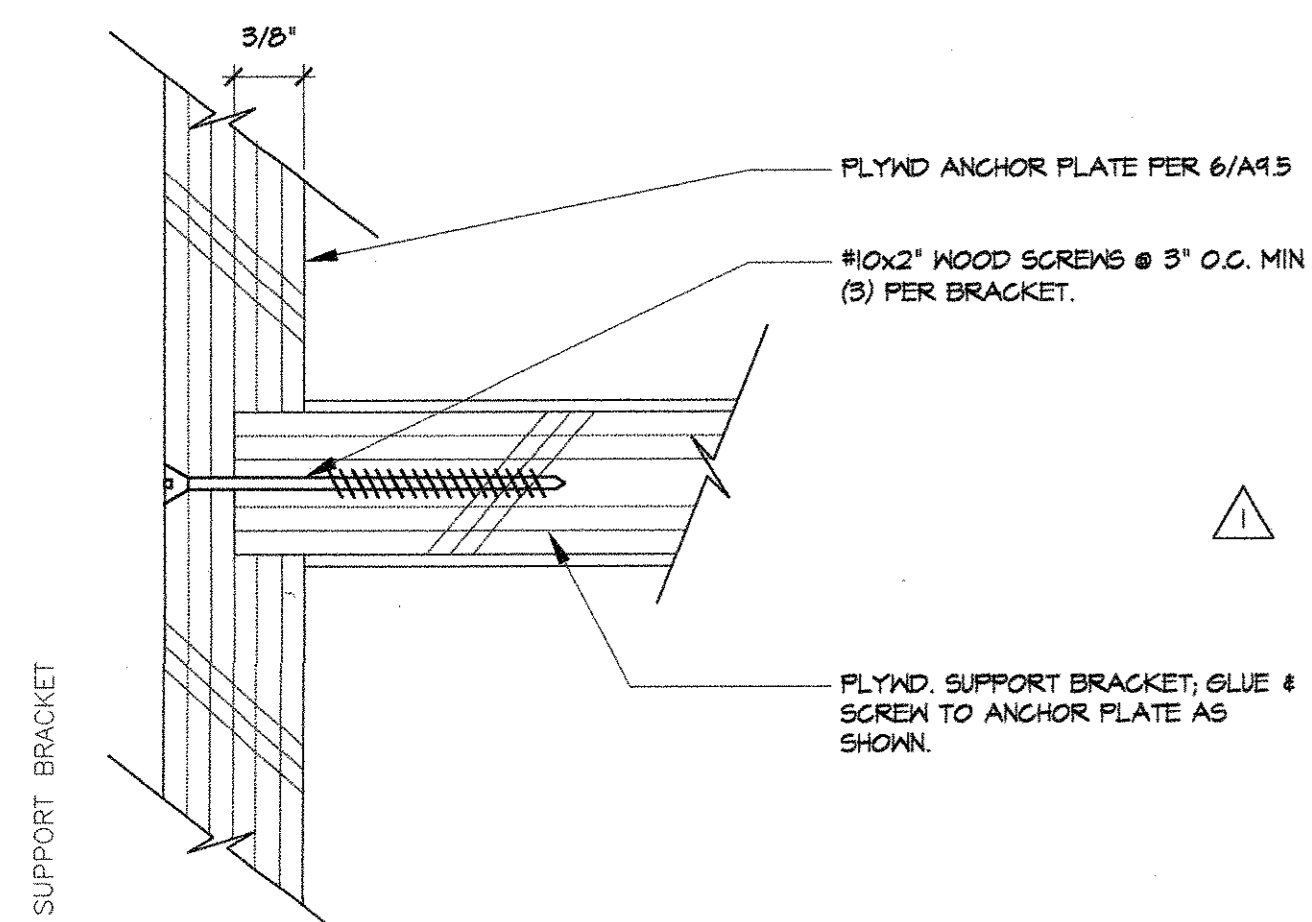
17 ACCESSIBILITY SYMBOL AT PARKING SPACE 3/4"=1'-0"



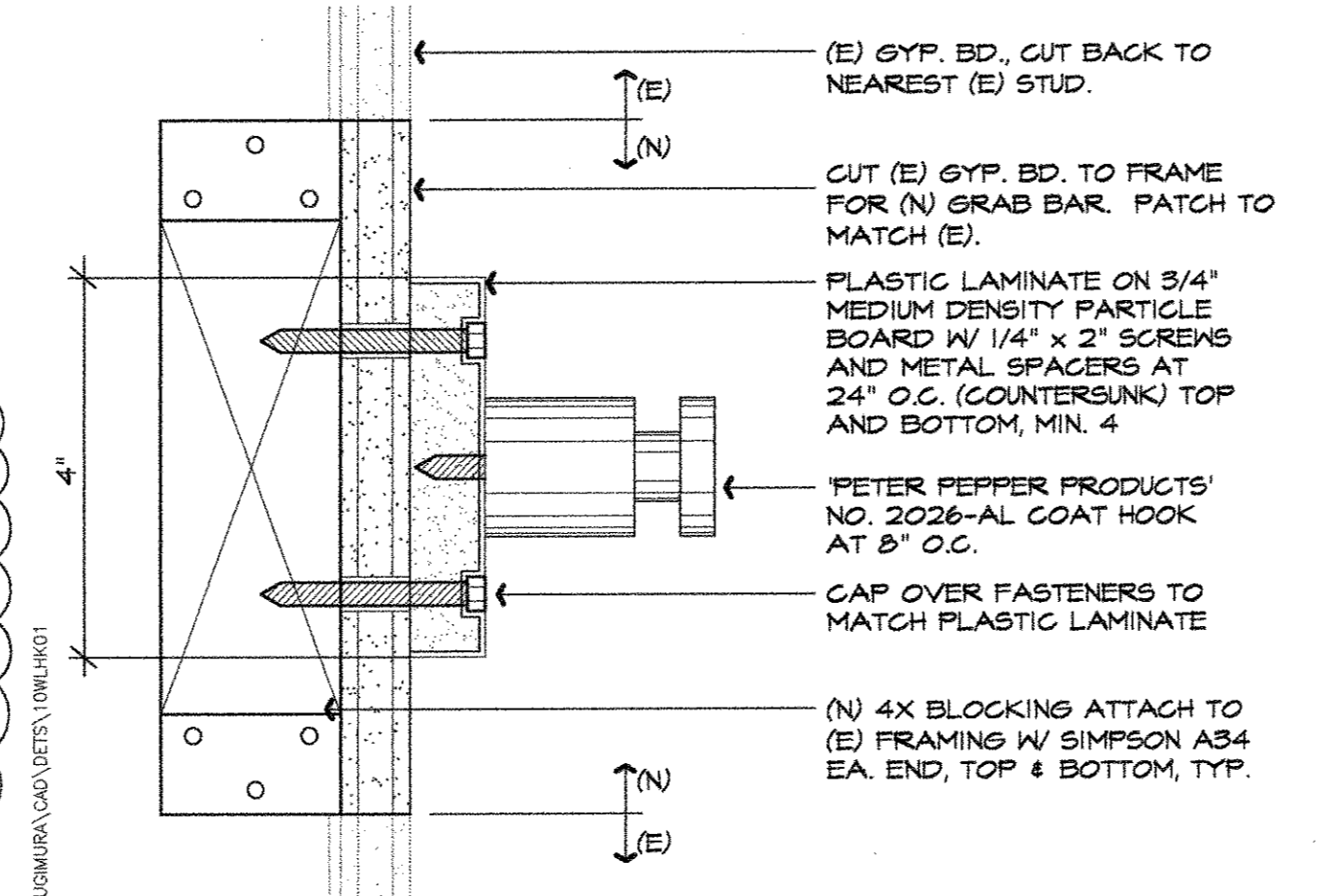
14 ACCESSIBLE DRINKING FOUNTAIN



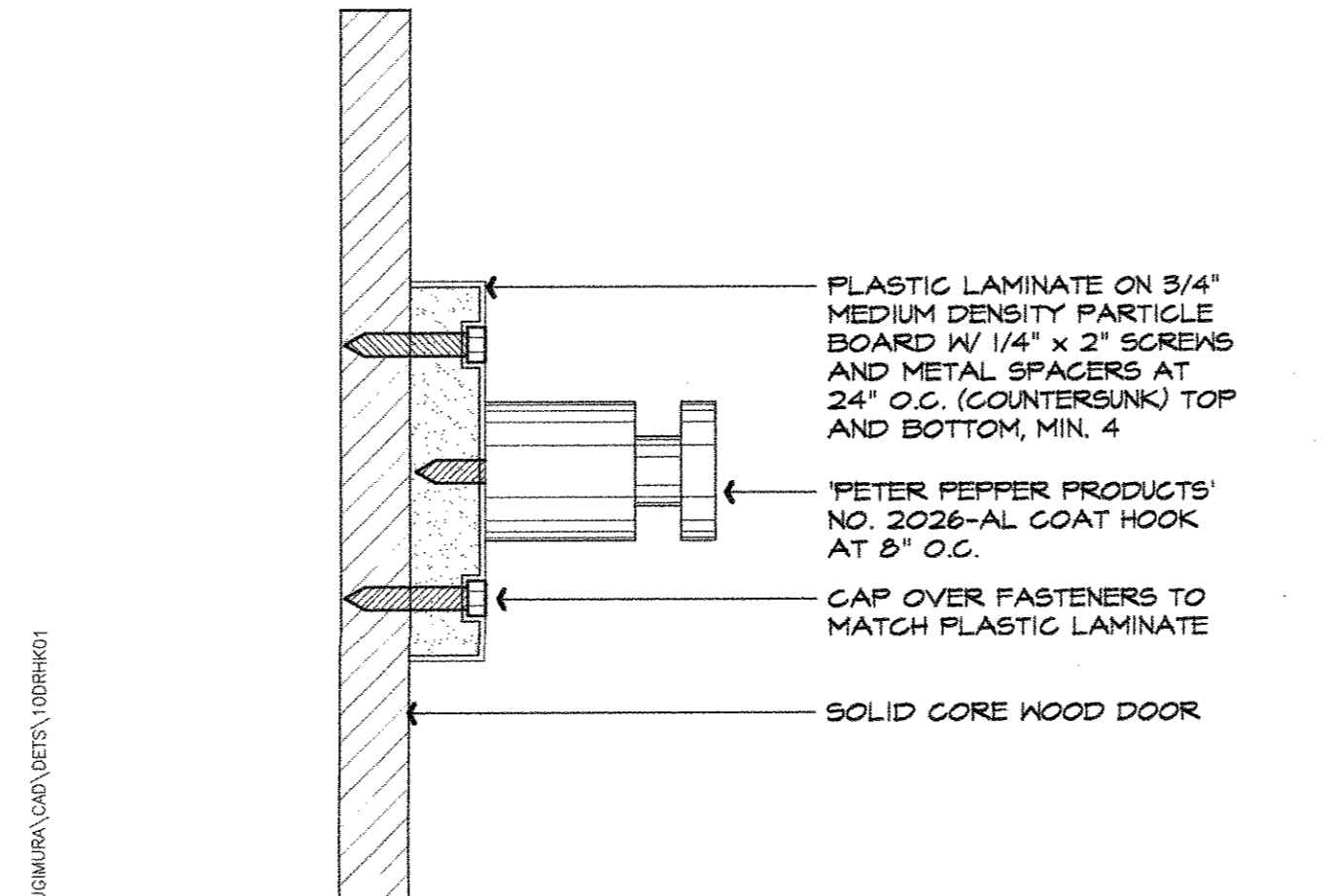
SECTION - DRINKING FOUNTAIN @ ALCOVE



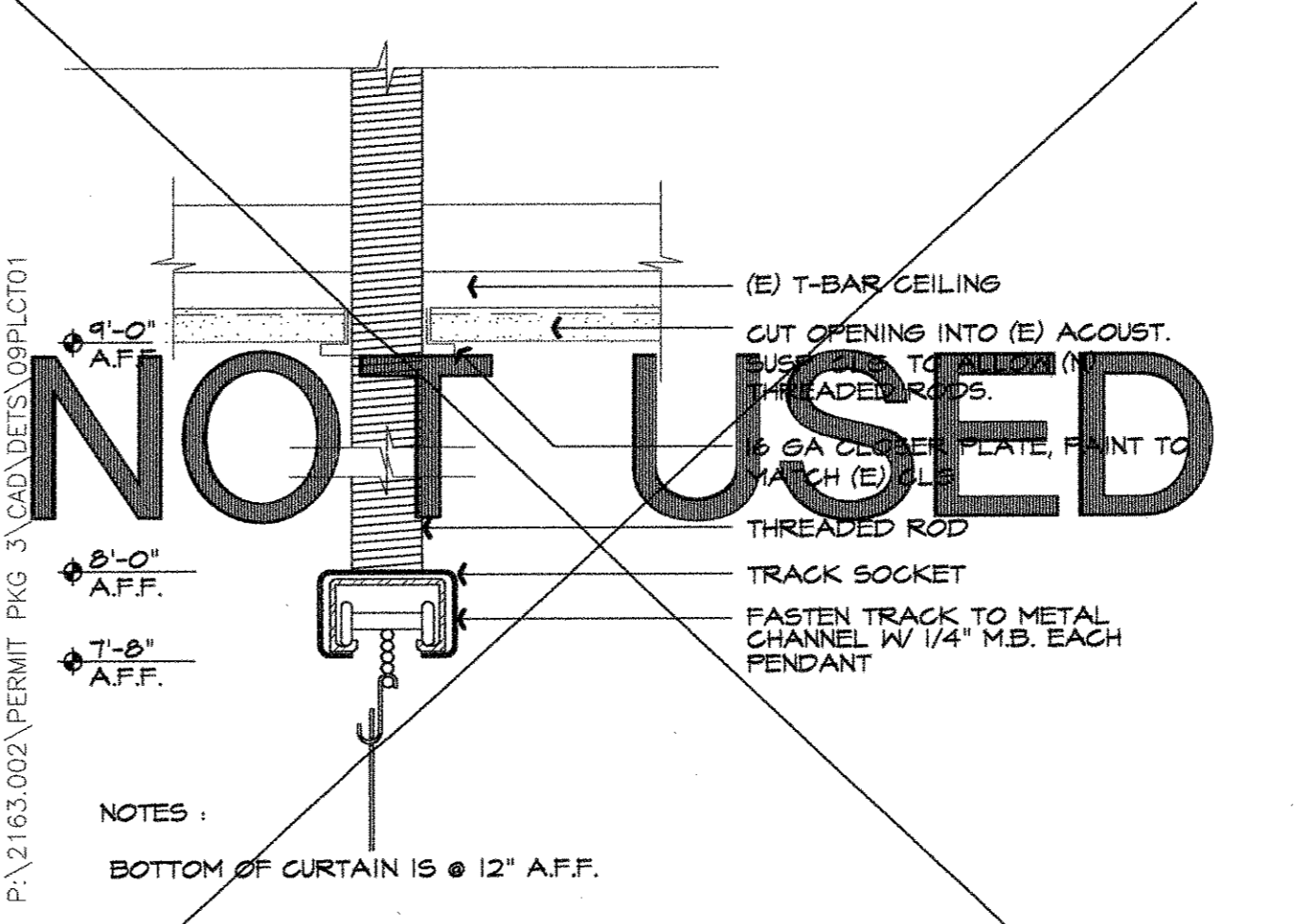
18 SUPPORT BRACKET @ OPEN COUNTER/ SHELF 1"=1'-0"



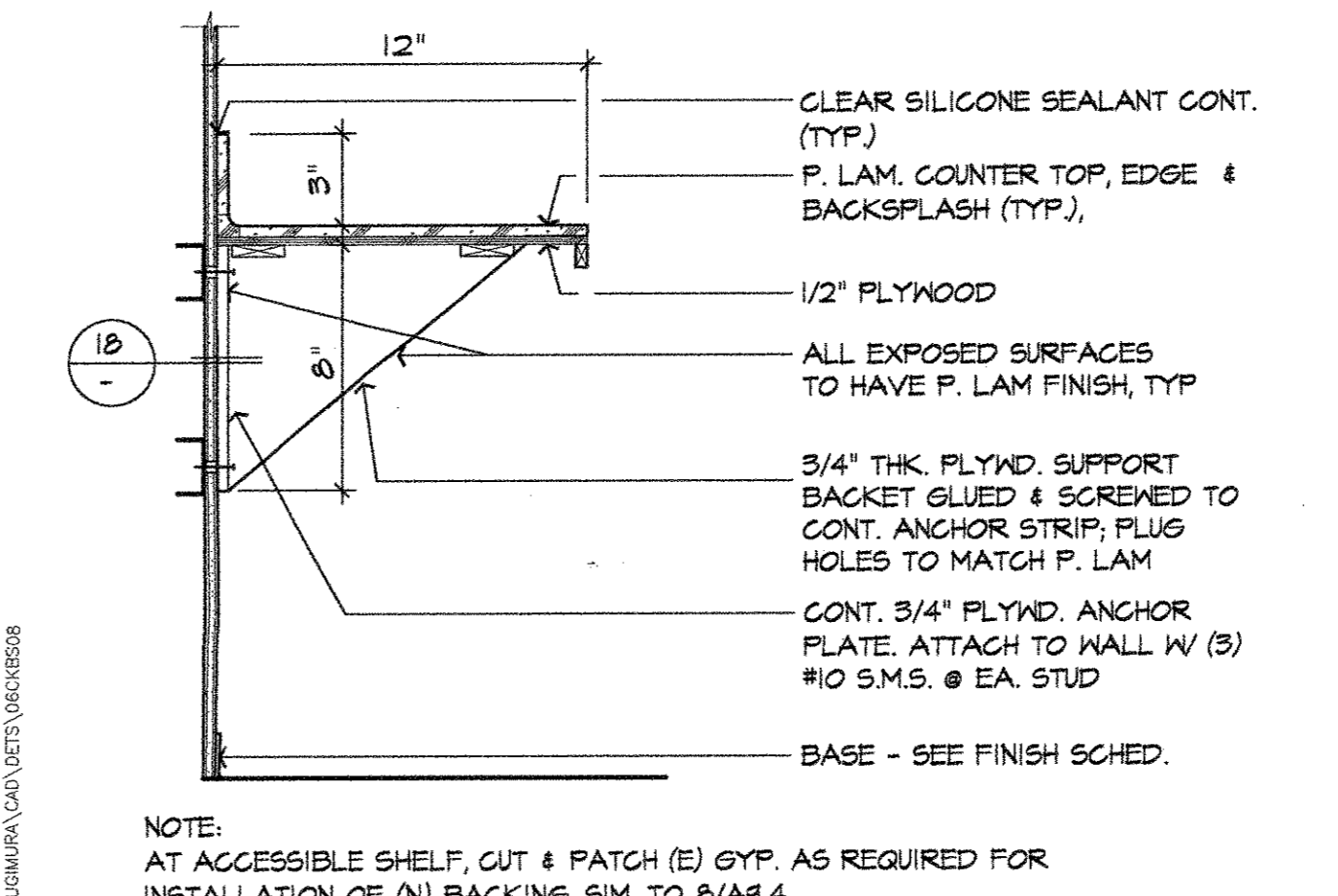
9 COAT HOOK ATTACHMENT @ (E) WALL NOTE: REF TO 20/A9.5 FOR MTD HEIGHT 1/2



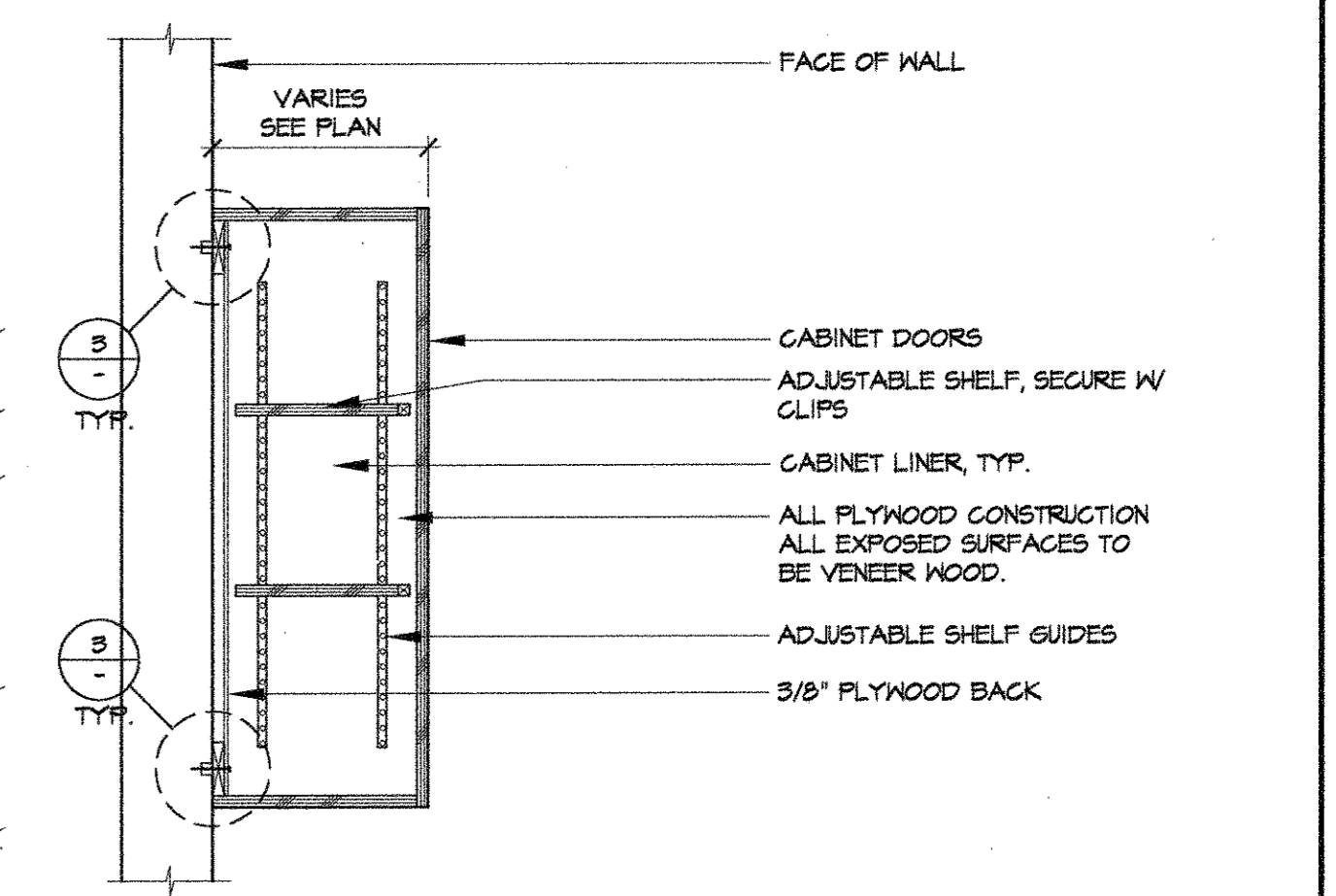
10 COAT HOOK ATTACHMENT @ DOOR NOTE: REF TO 20/A9.5 FOR MTD HEIGHT 1/2



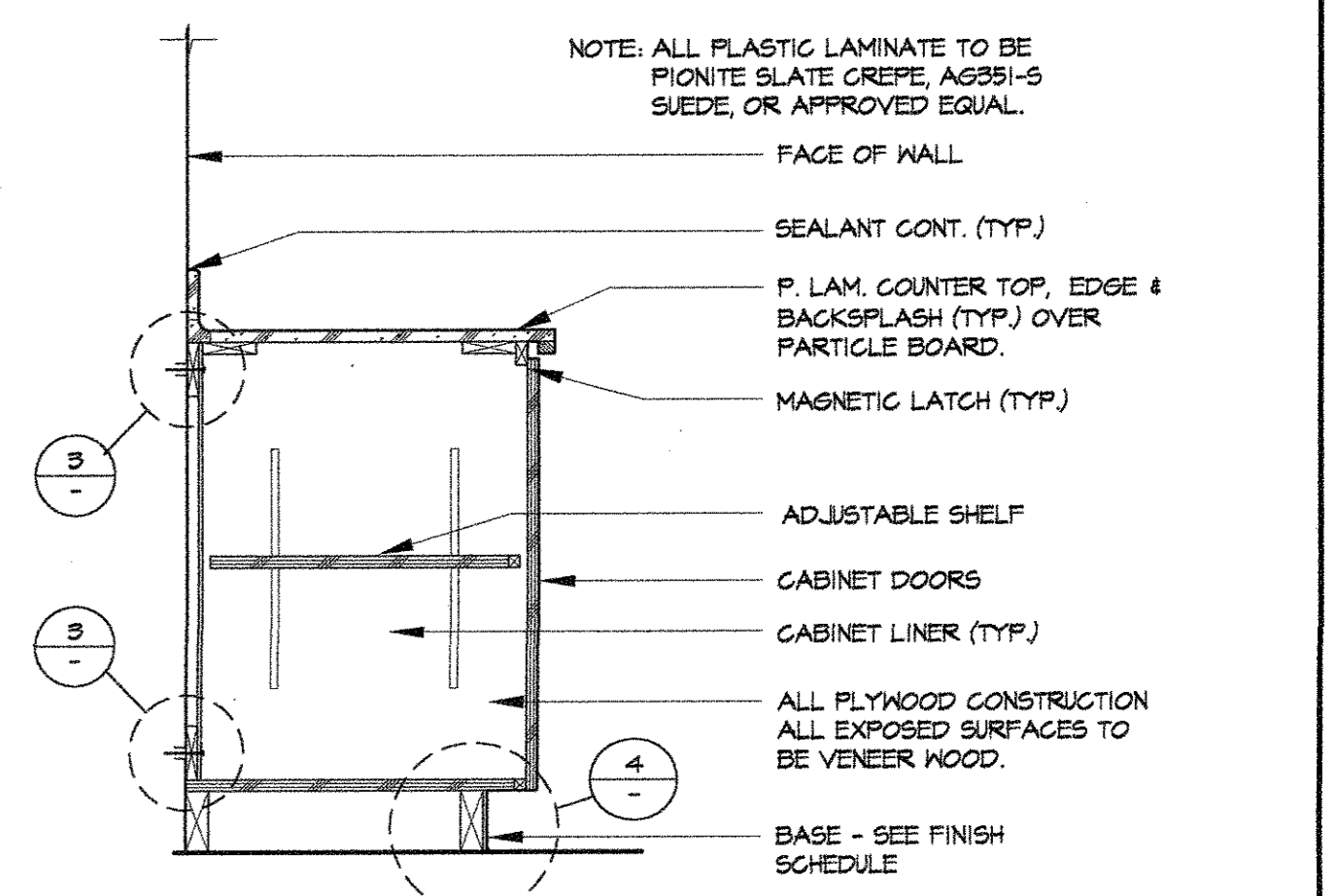
5 SUSPENDED CURTAIN TRACK 3"=1'-0"



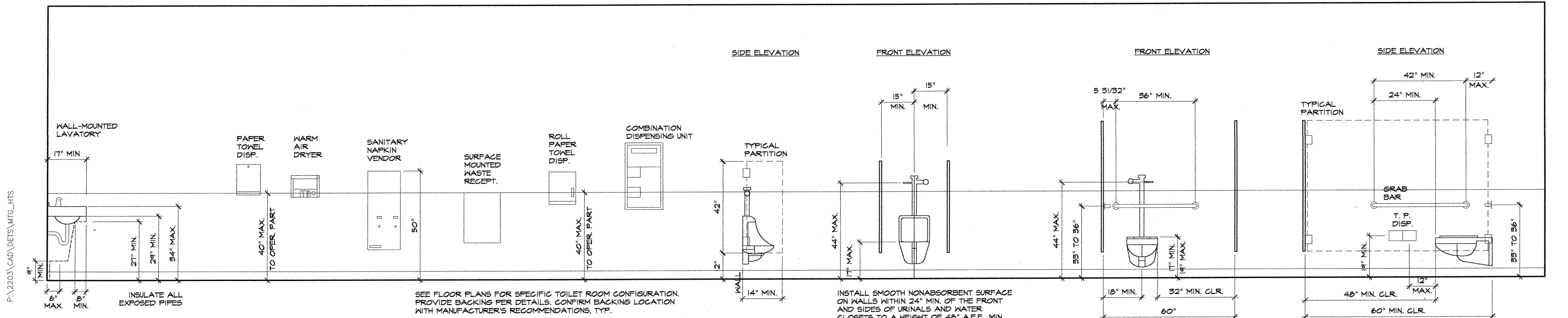
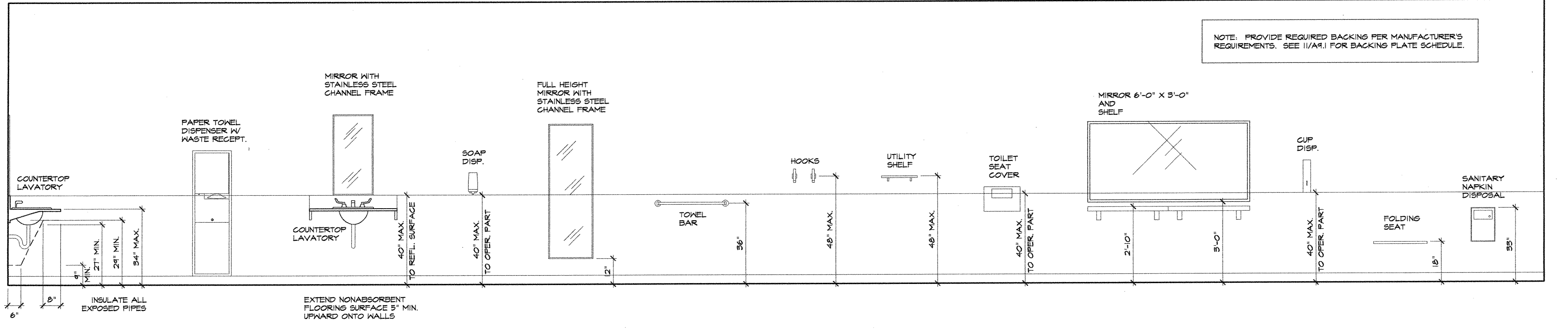
6 TYPICAL OPEN COUNTER/SHELF 2"=1'-0"



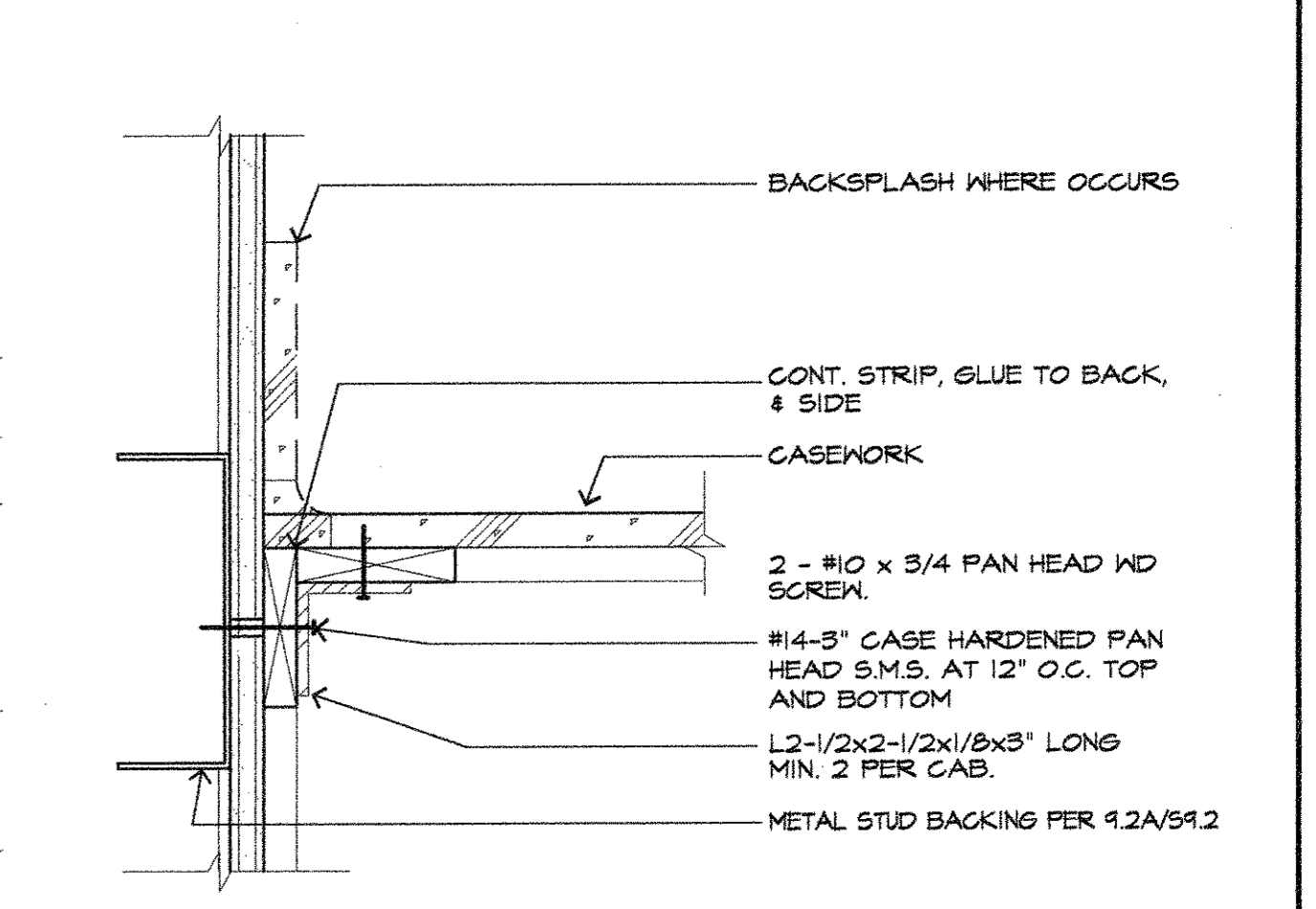
1 UPPER CABINET 1"=1'-0"



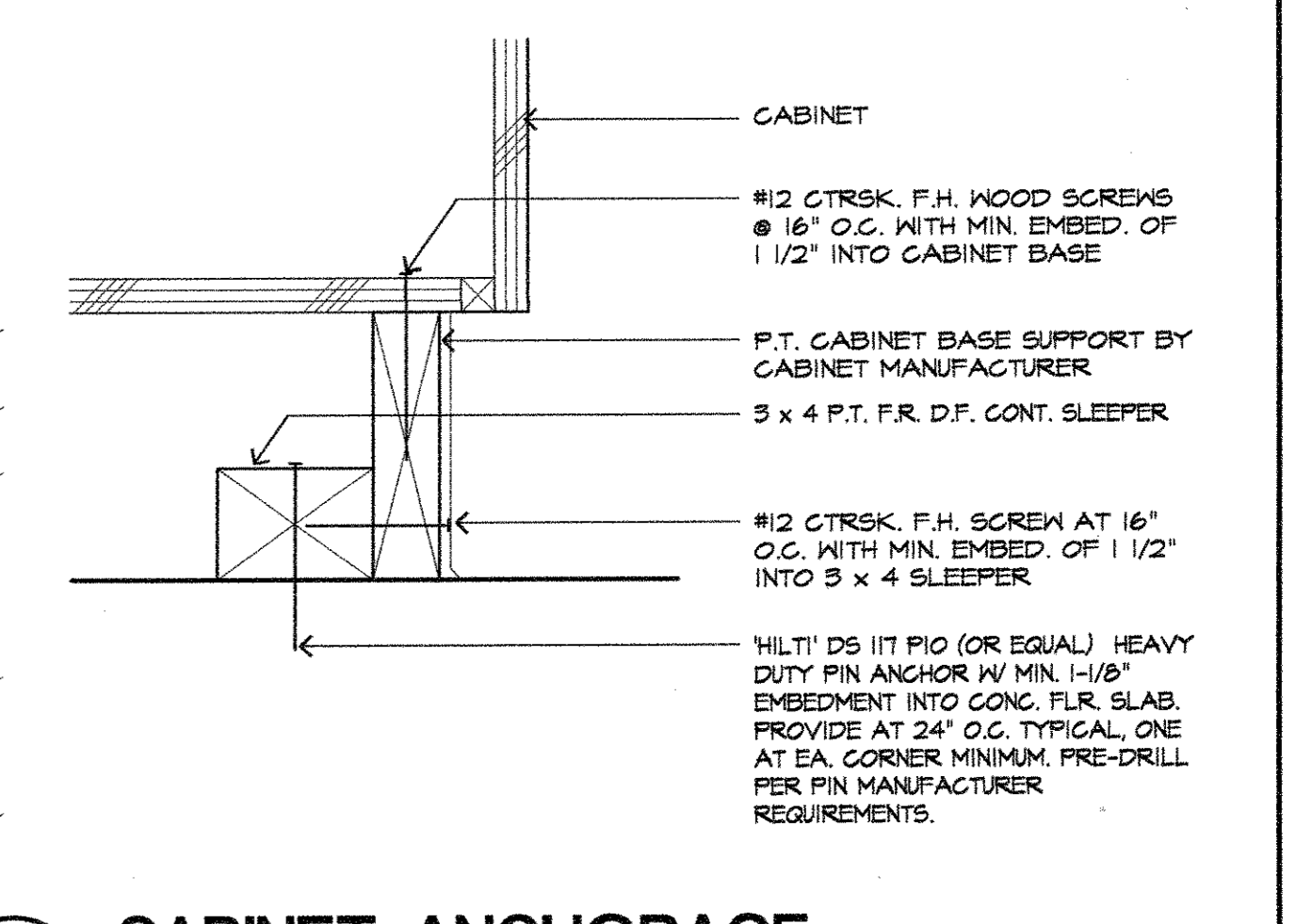
2 TYPICAL BASE CABINET 1"=1'-0"



20 REST ROOM MOUNTING HEIGHTS BARRIER FREE 1/2"=1'-0"



3 TYPICAL CASEWORK FASTENING 3"=1'-0"



4 CABINET ANCHORAGE 3"=1'-0"

Sugimura & Associates Architects



REGISTRATION STAMP OFFICE OF REGULATION SERVICES

SKYLINE COLLEGE SWING SPACE PERMIT PACKAGE #3

Table with 3 columns: NO., ITEM, DATE. Includes DSA BACKCHECK and CONSTRUCTION ISSUE.

CLIENT APPROVAL: DRAWN BY: CHECKED BY: JOB NO: DATE: