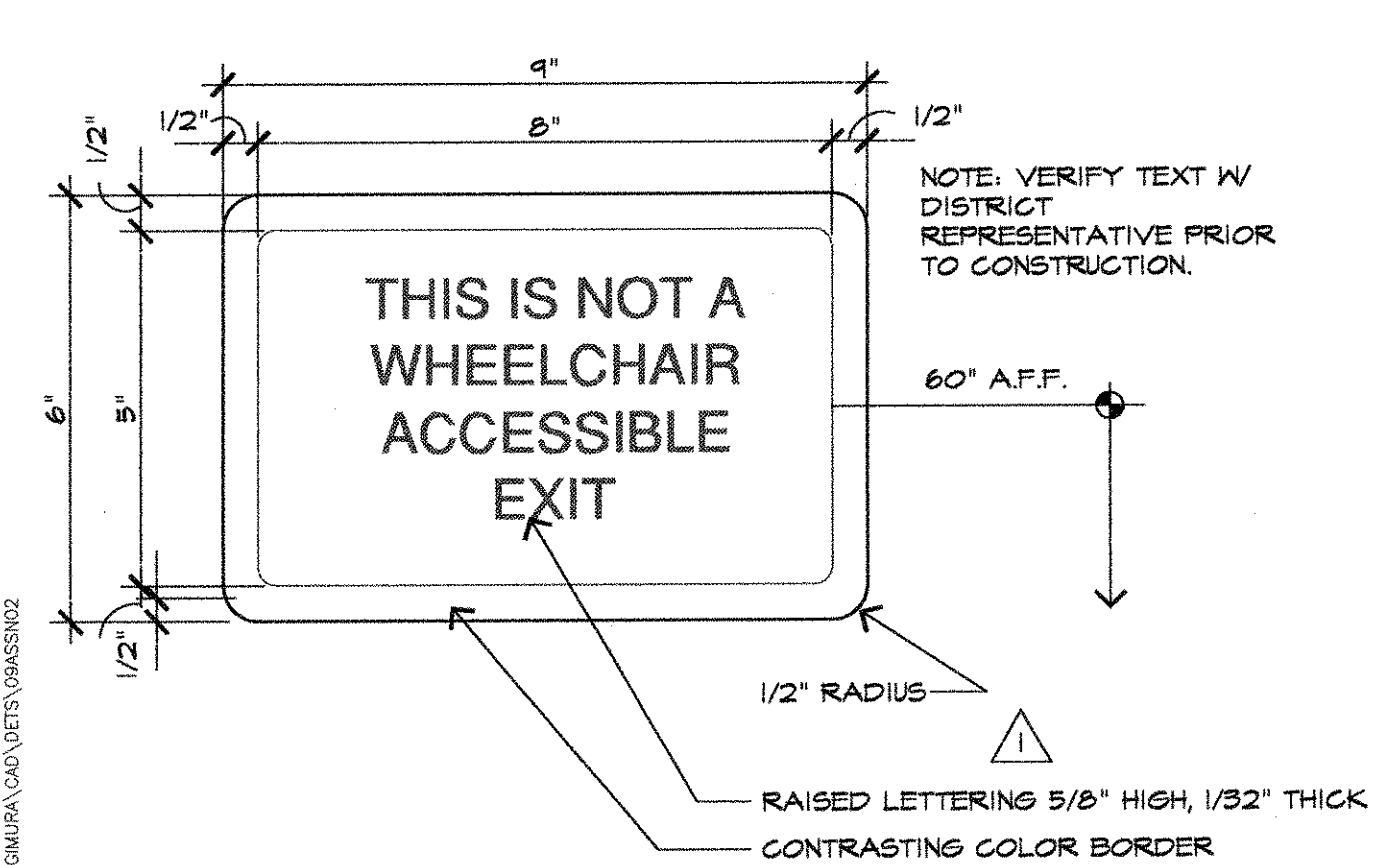
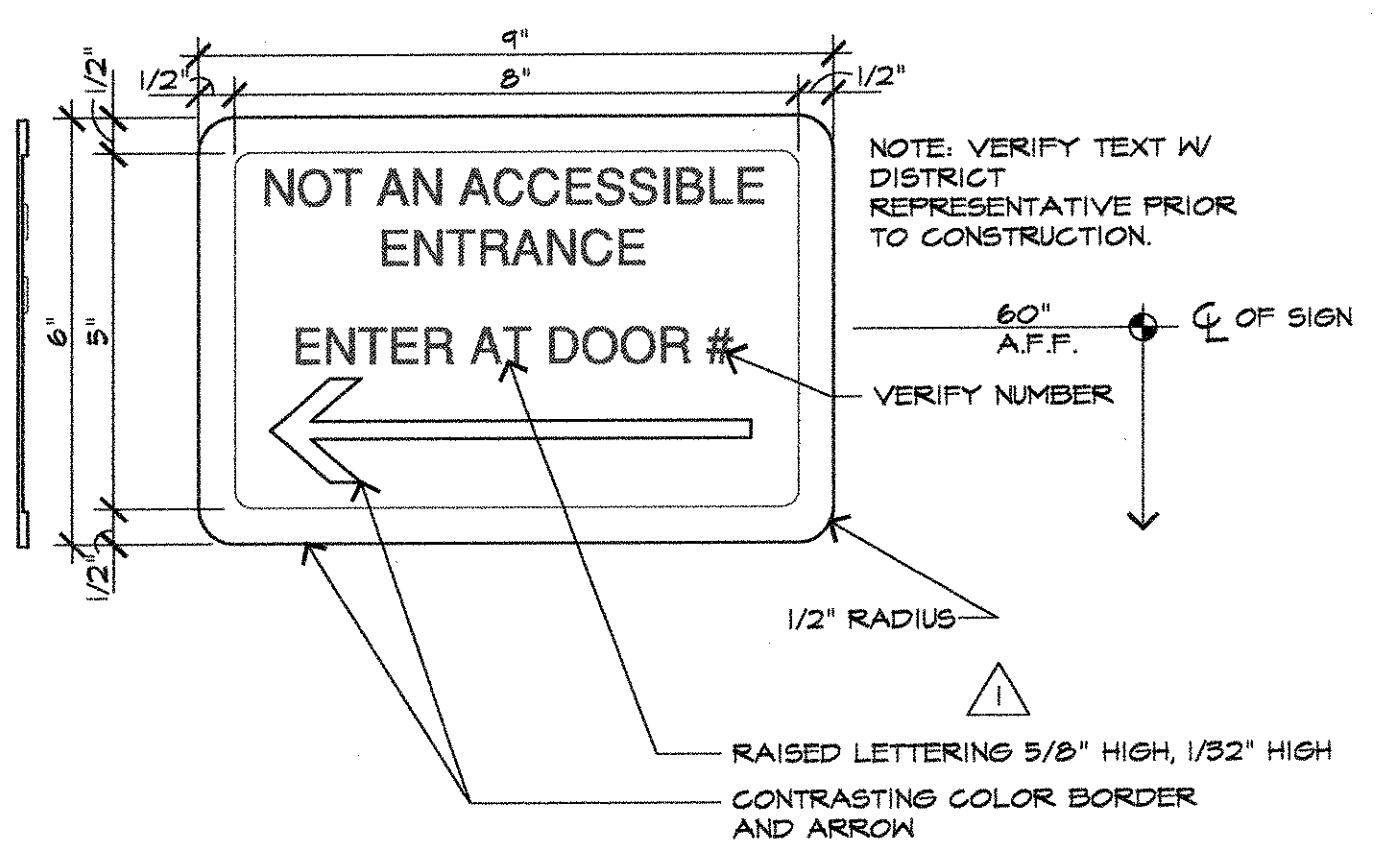


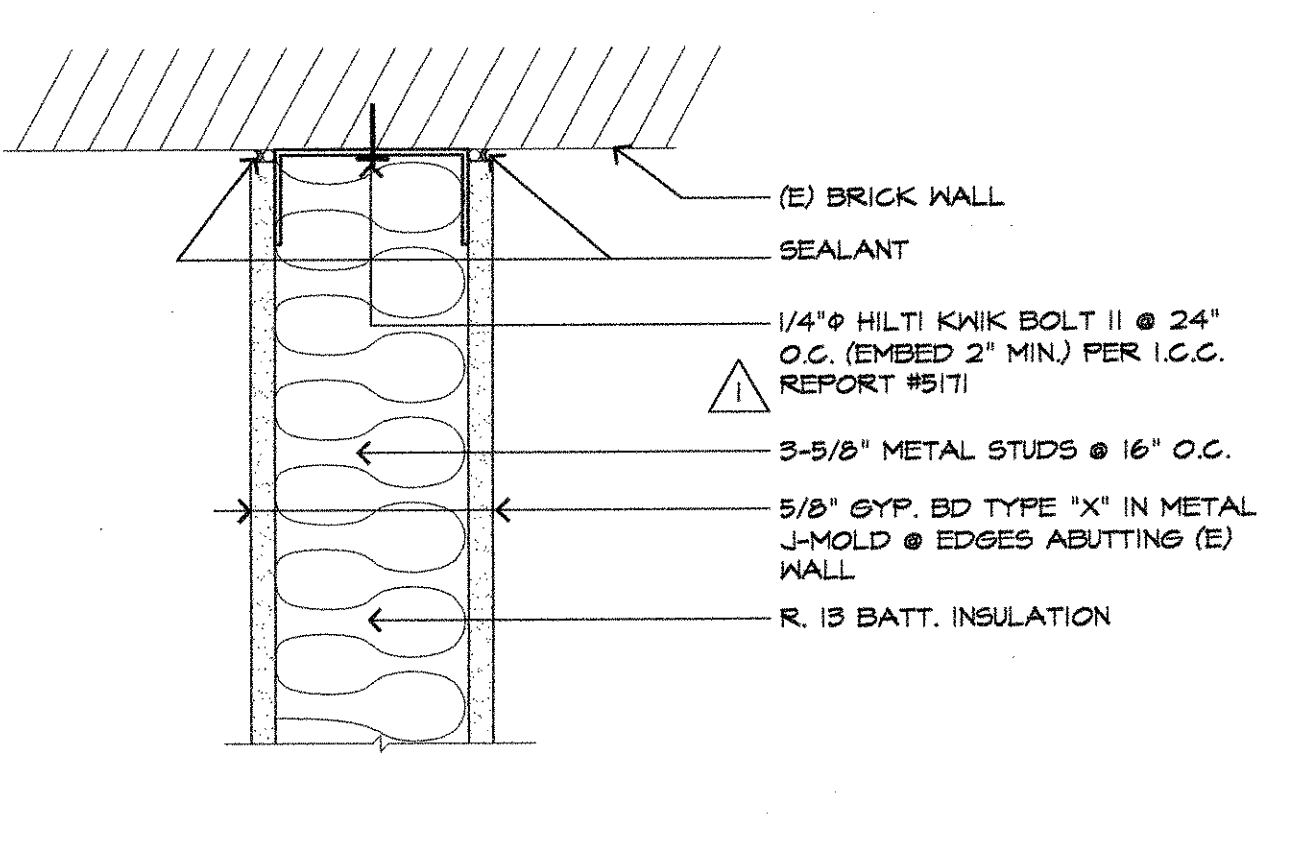
17 SIGNAGE LOCATION N.T.S.



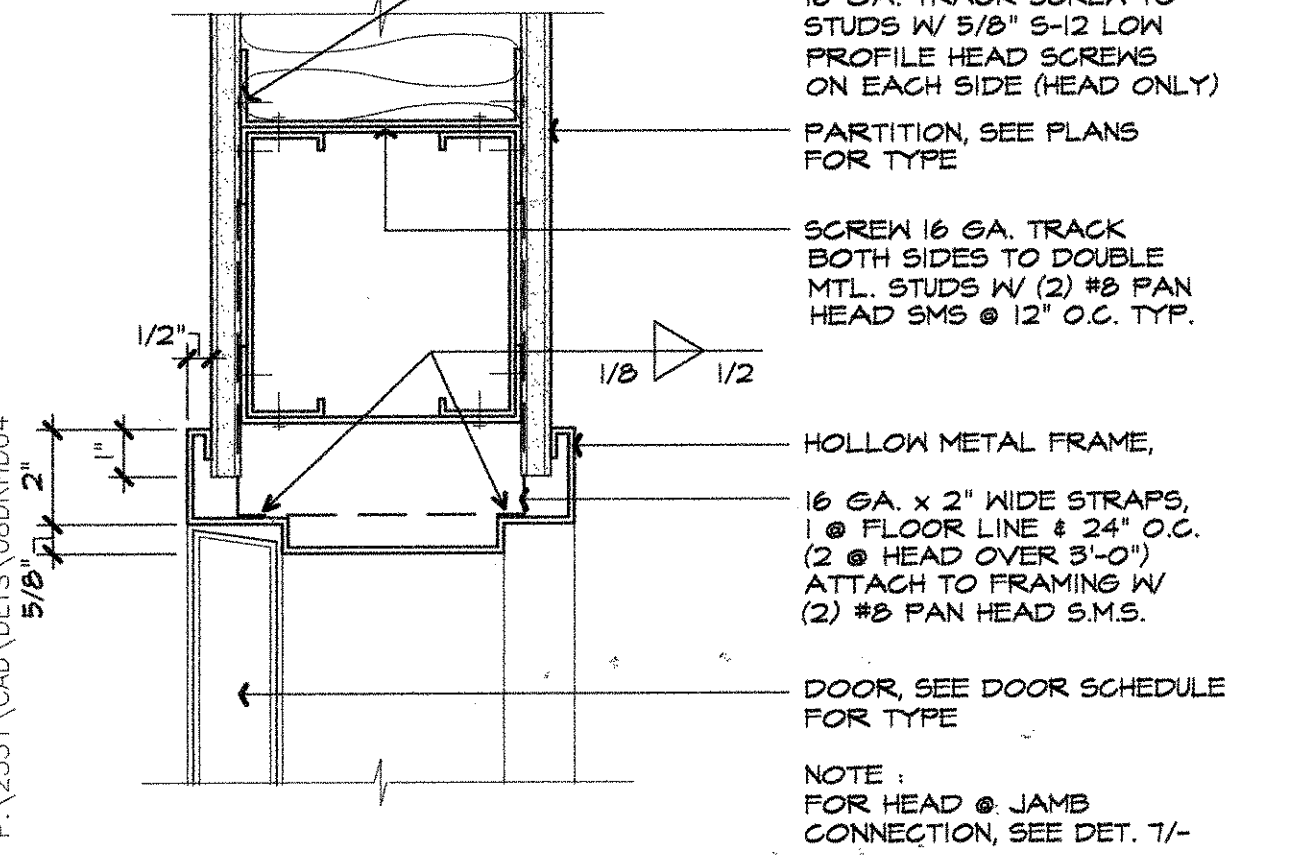
13 ACCESSIBILITY SIGNAGE N.T.S.



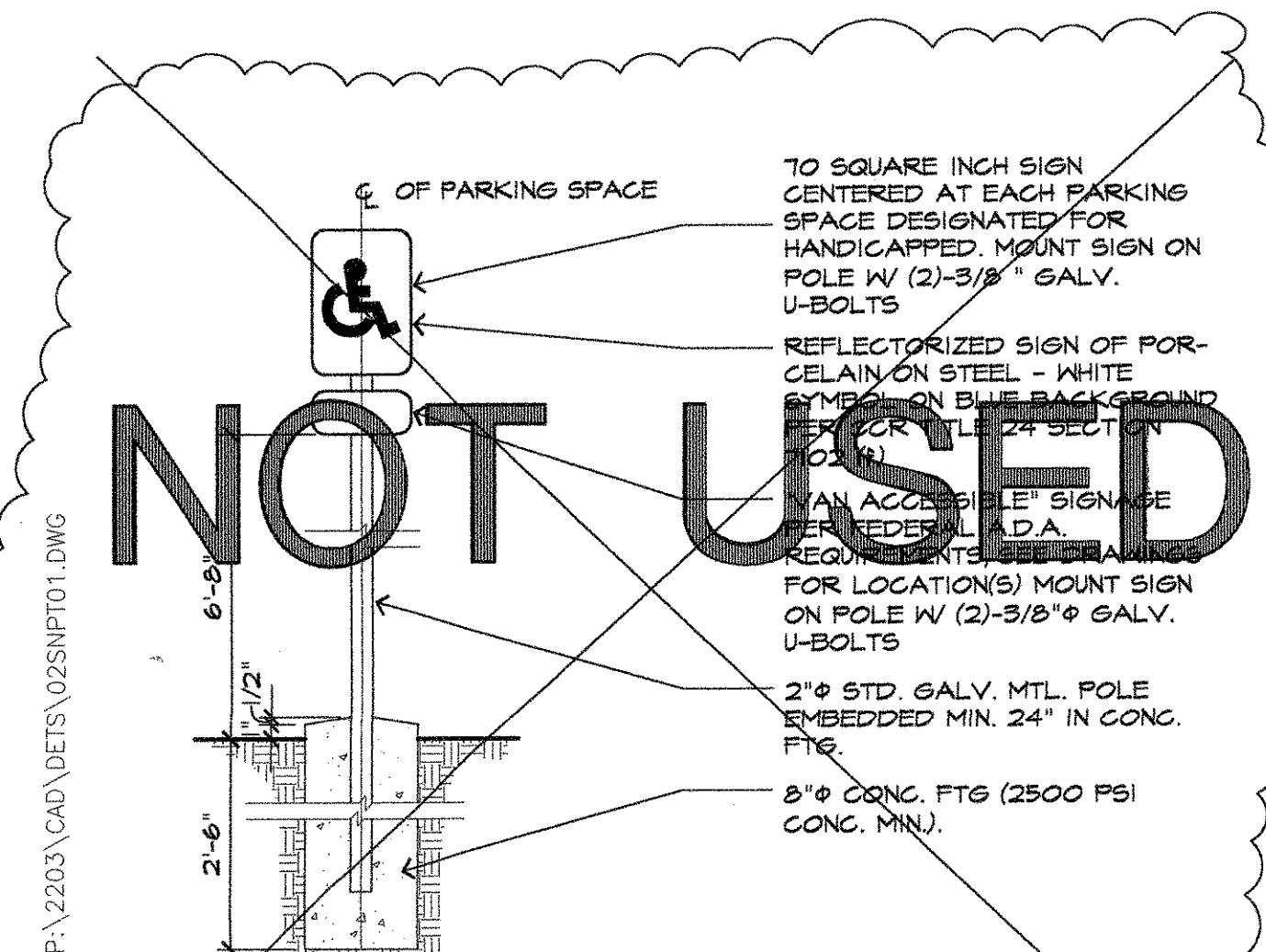
9 DIRECTIONAL SIGN N.T.S.



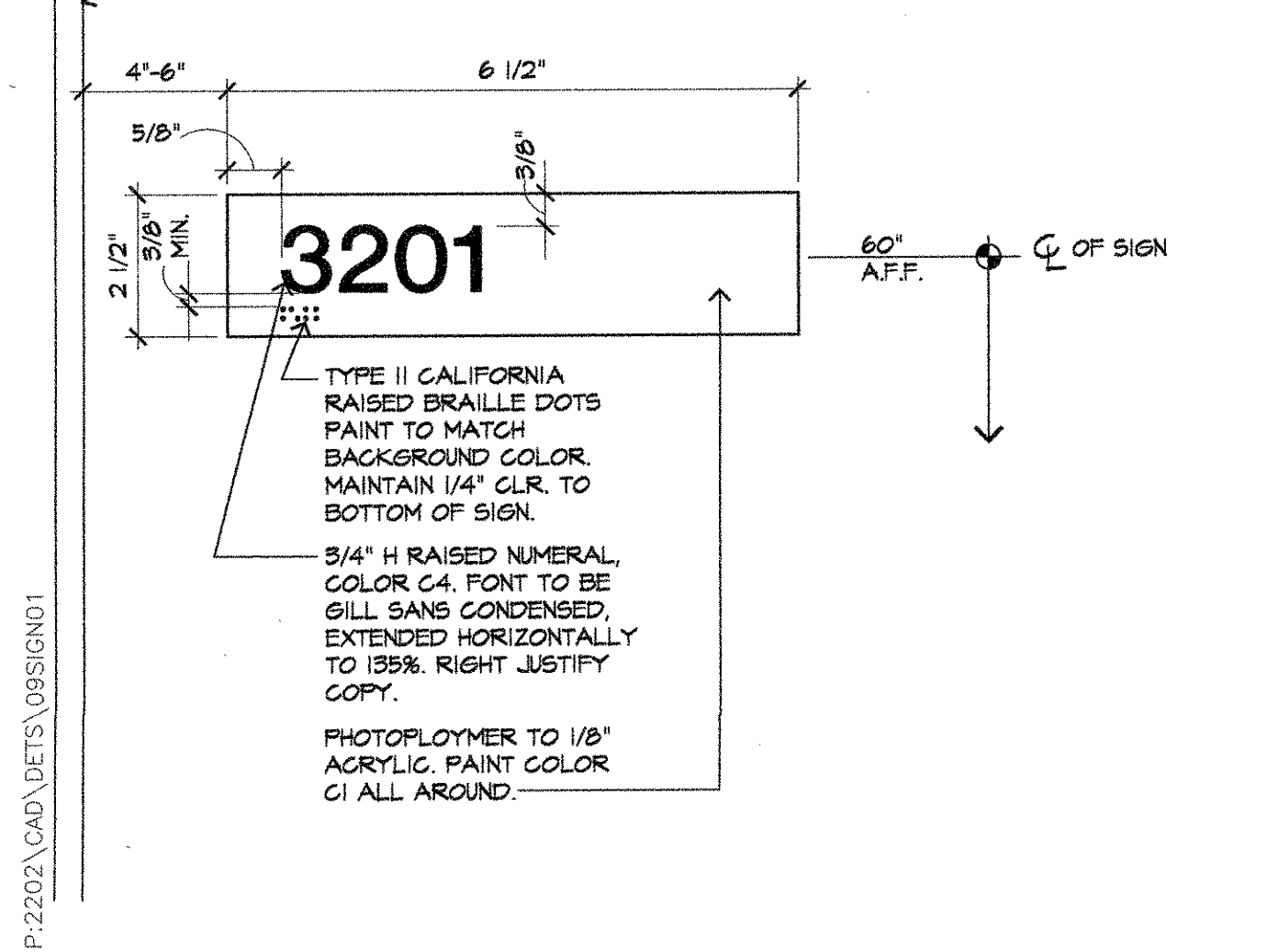
5 PARTITION @ (E) BRICK WALL 3\"/>



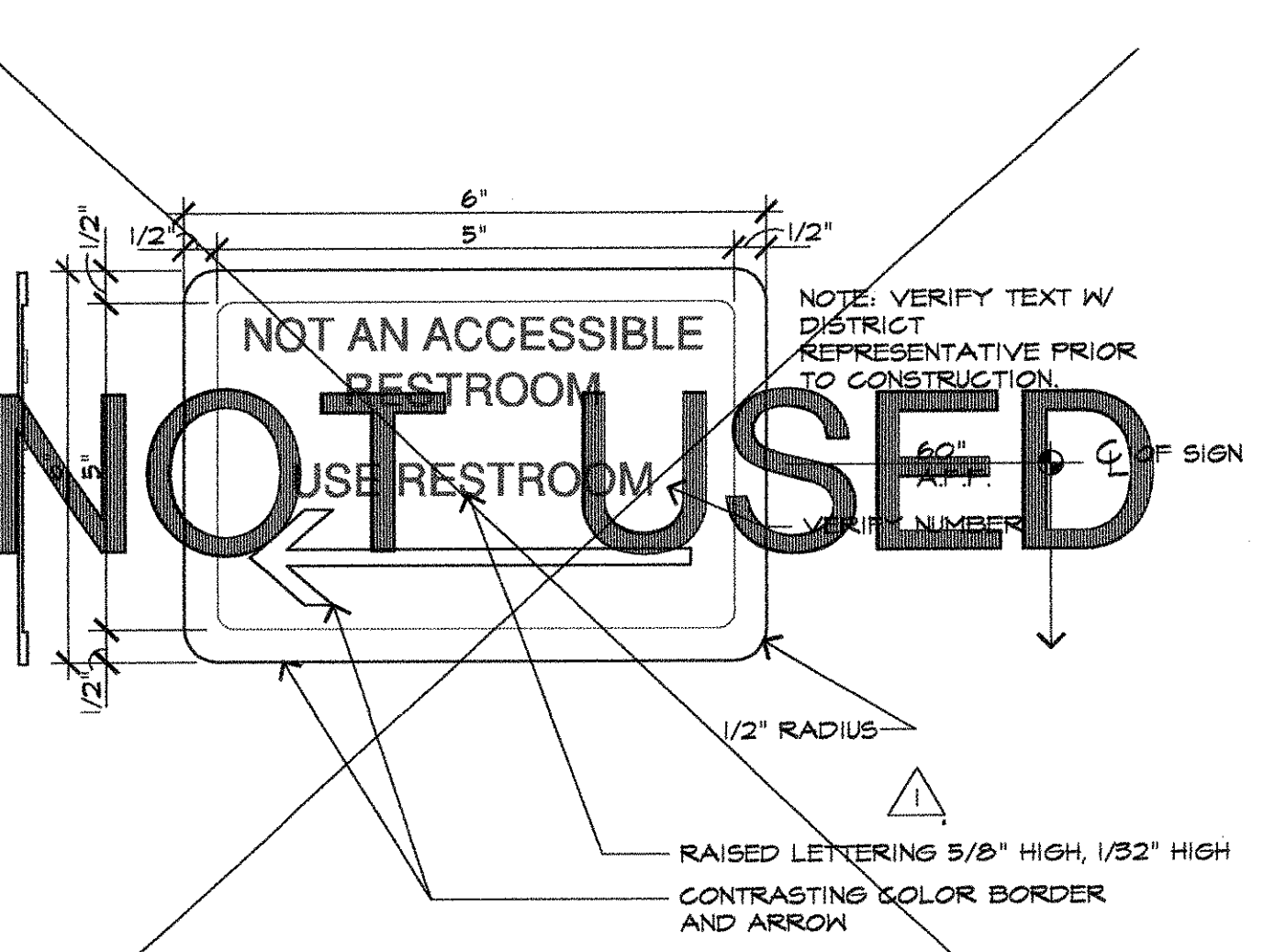
1 TYPICAL DOOR HEAD (JAMB SIMILAR) 3\"/>



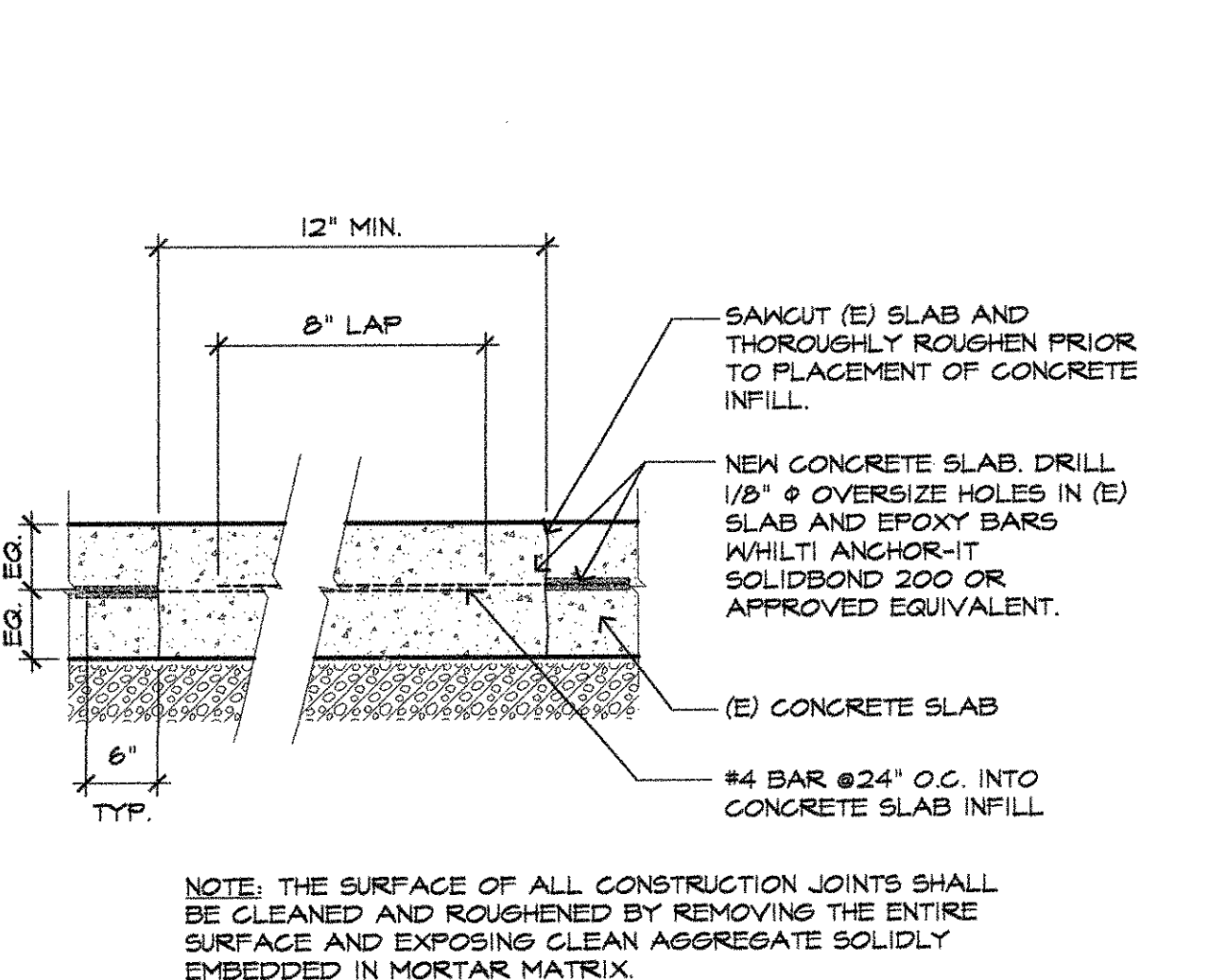
18 ACCESSIBILITY SIGN ACCESSIBLE PARKING STALL 1\"/>



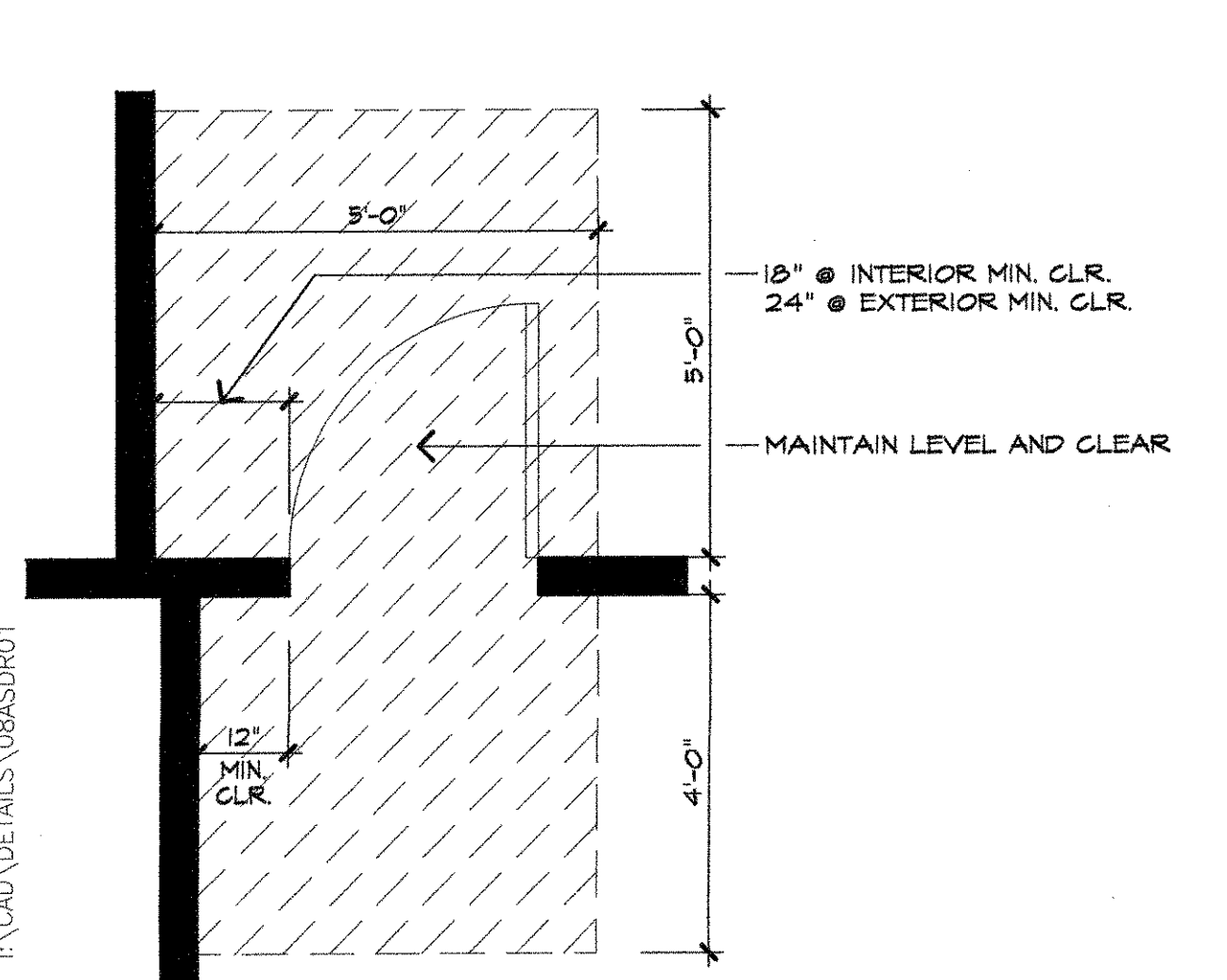
14 ROOM I.D. SIGNAGE N.T.S.



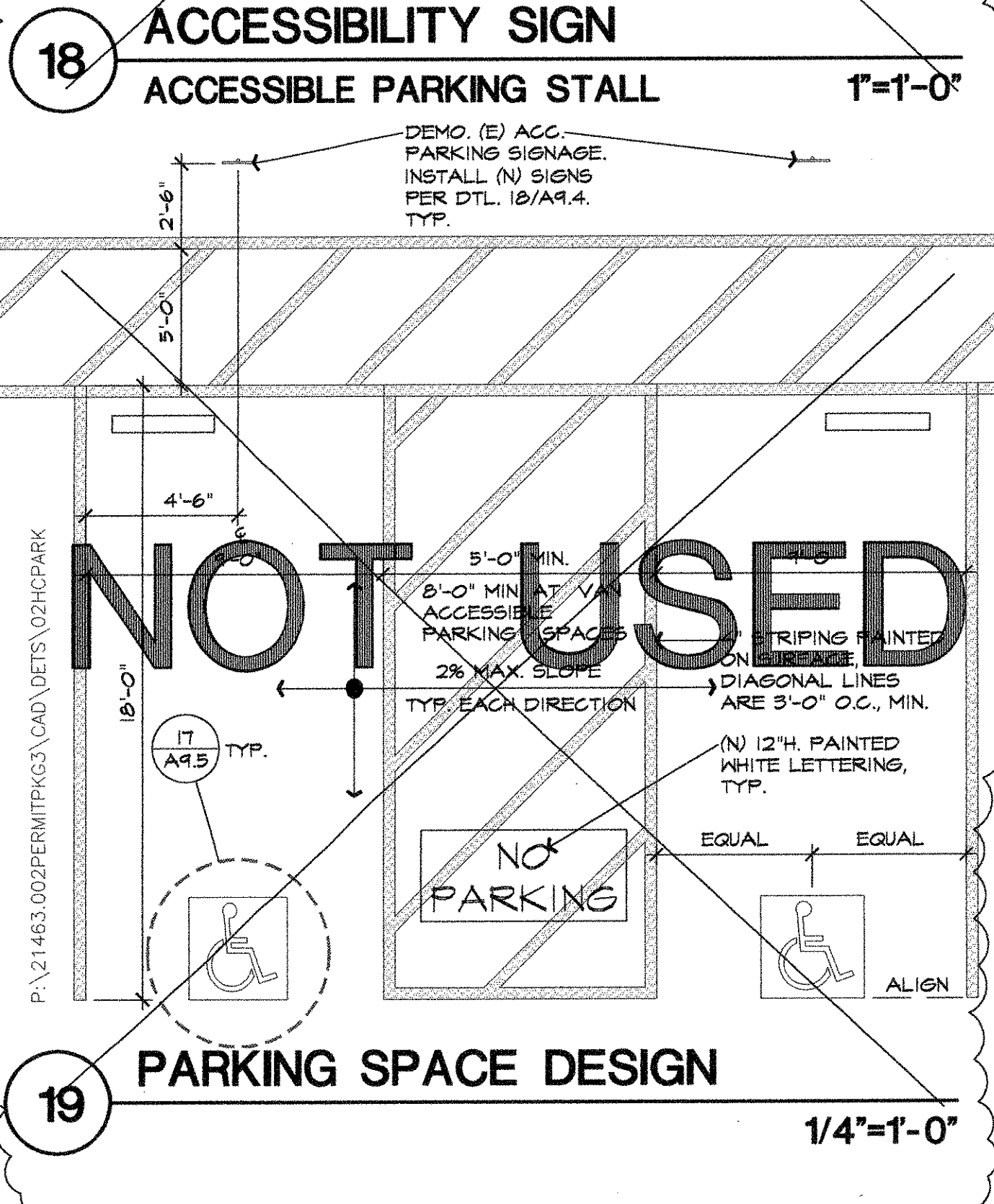
10 DIRECTIONAL SIGN N.T.S.



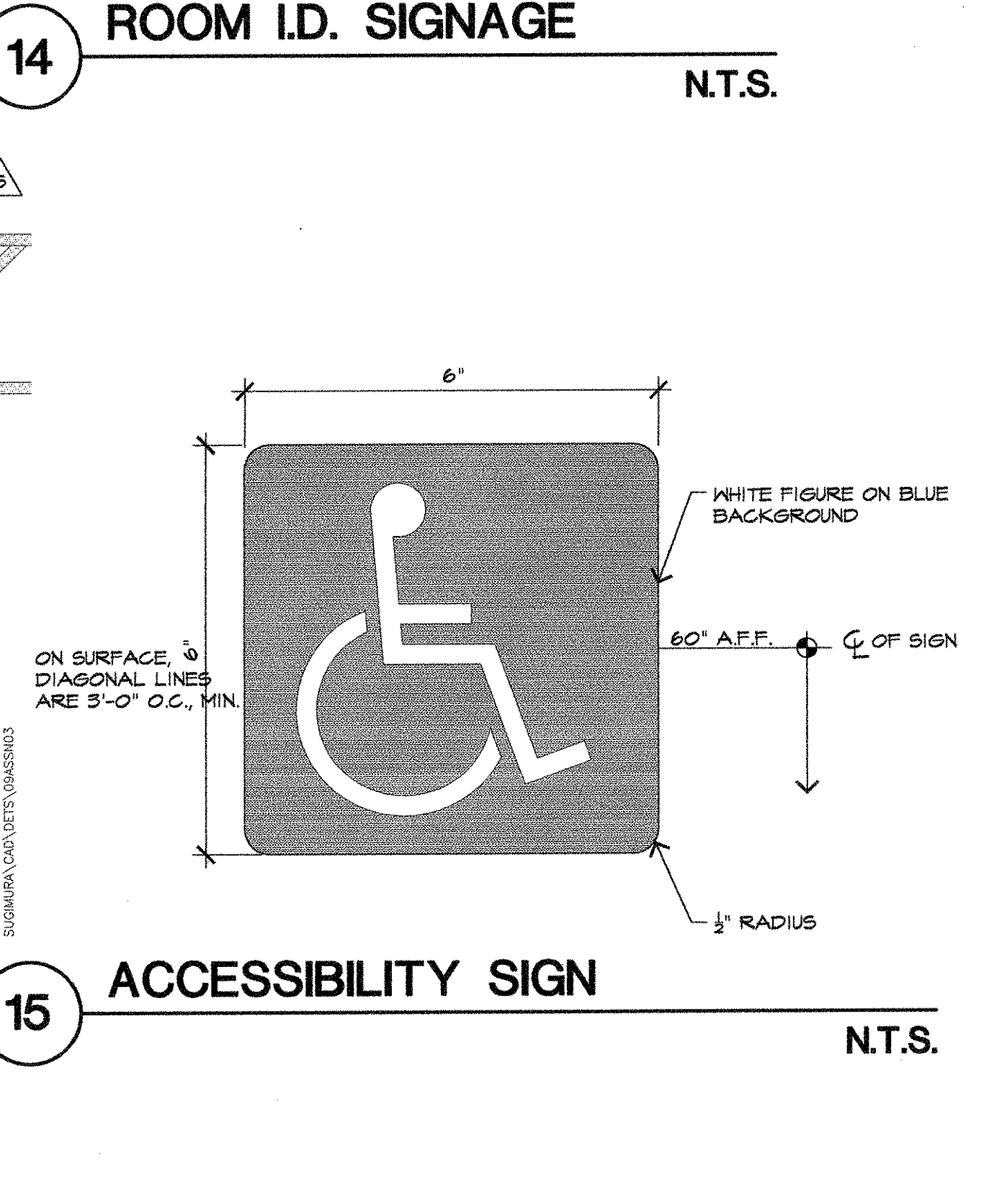
6 CONCRETE INFILL N.T.S.



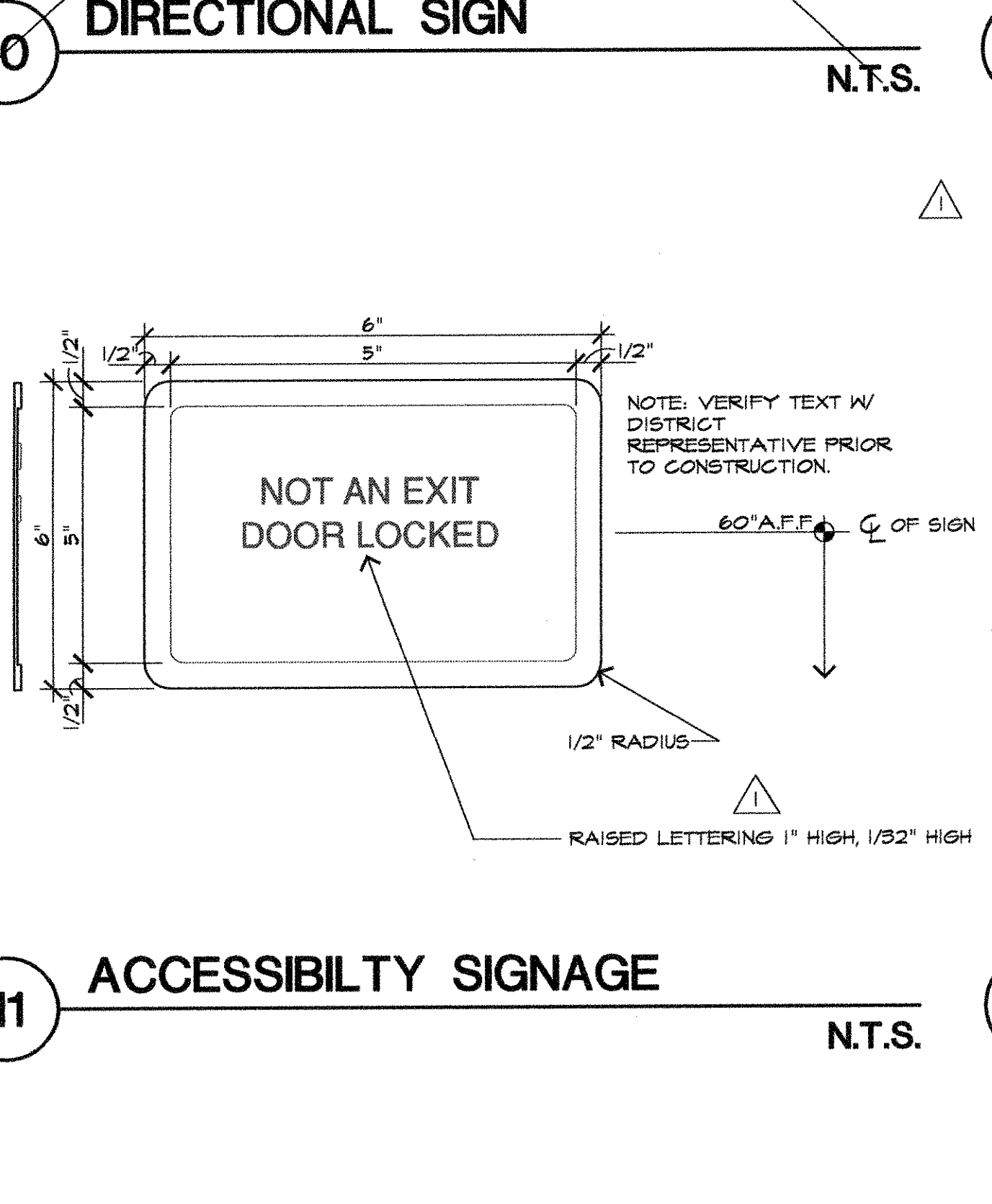
2 TYPICAL DOOR CLEARANCE 1/2\"/>



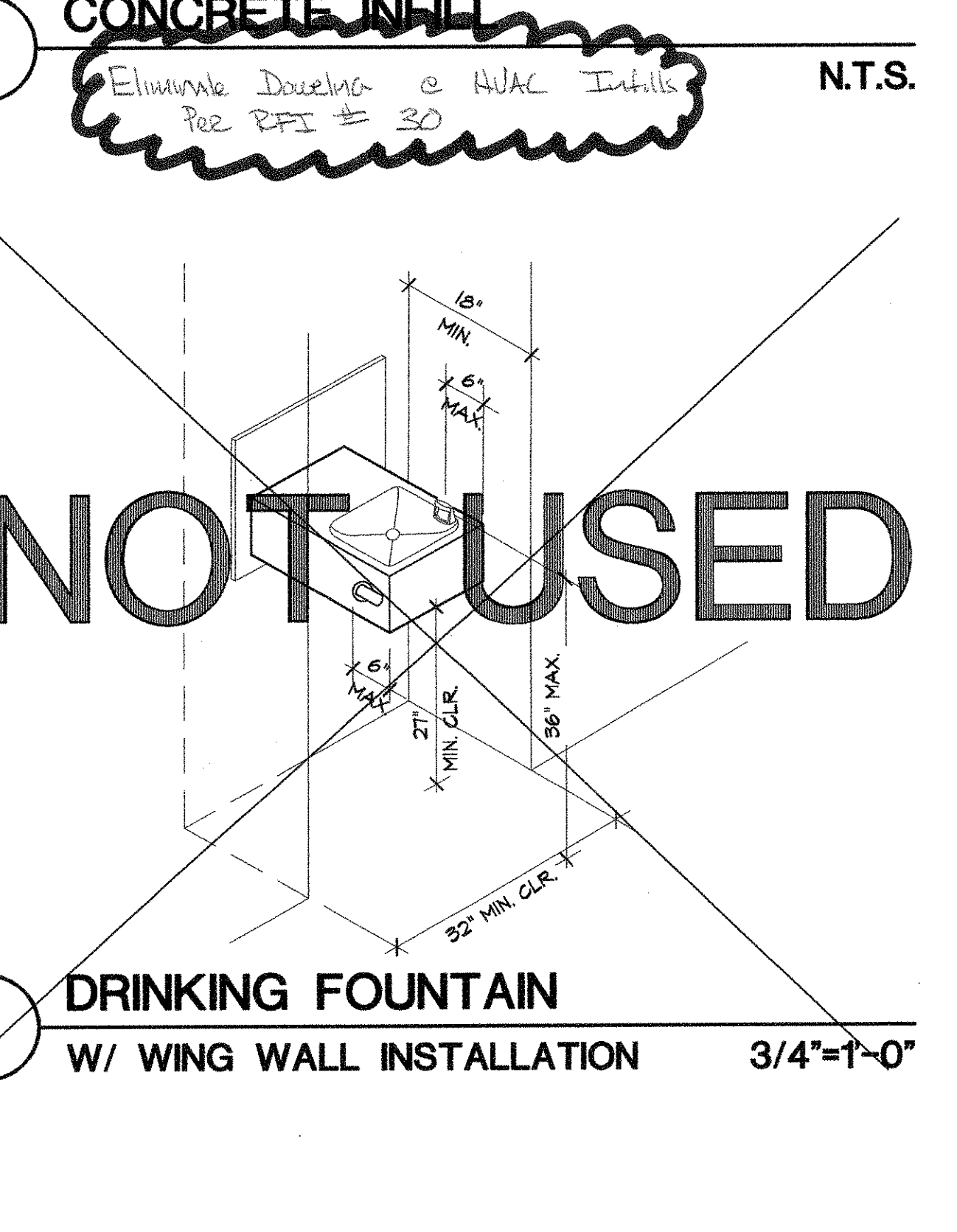
19 PARKING SPACE DESIGN 1/4\"/>



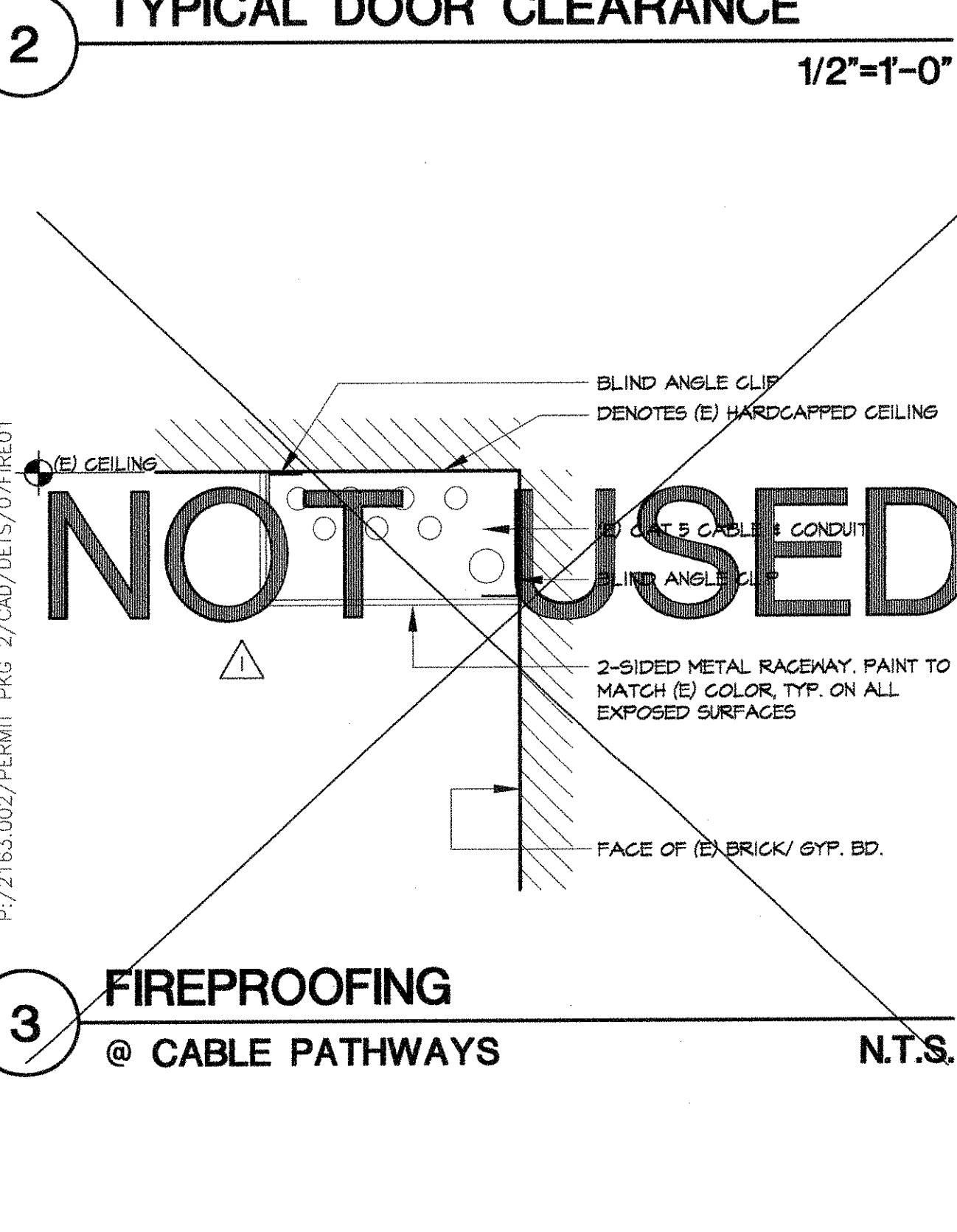
15 ACCESSIBILITY SIGN N.T.S.



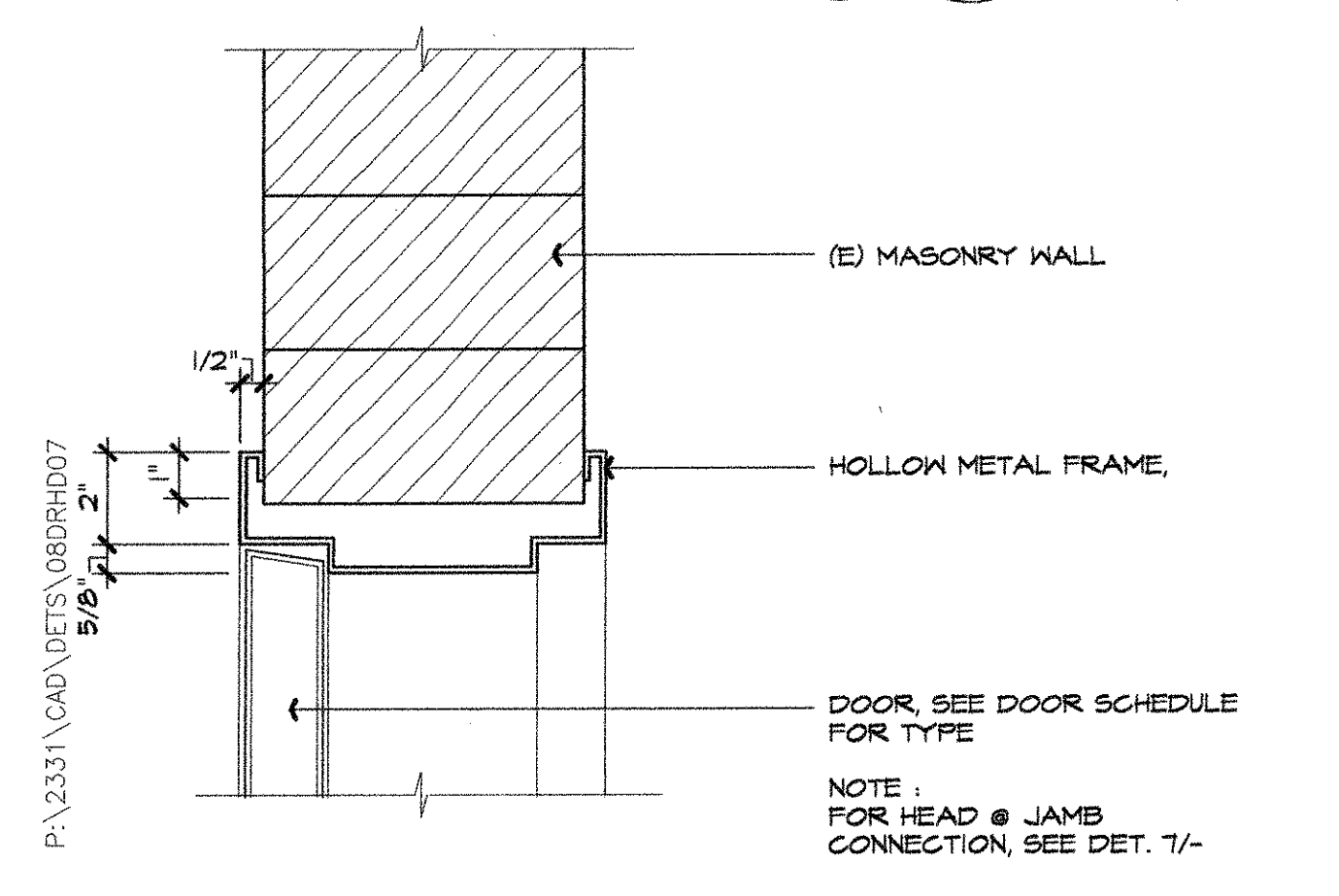
11 ACCESSIBILITY SIGNAGE N.T.S.



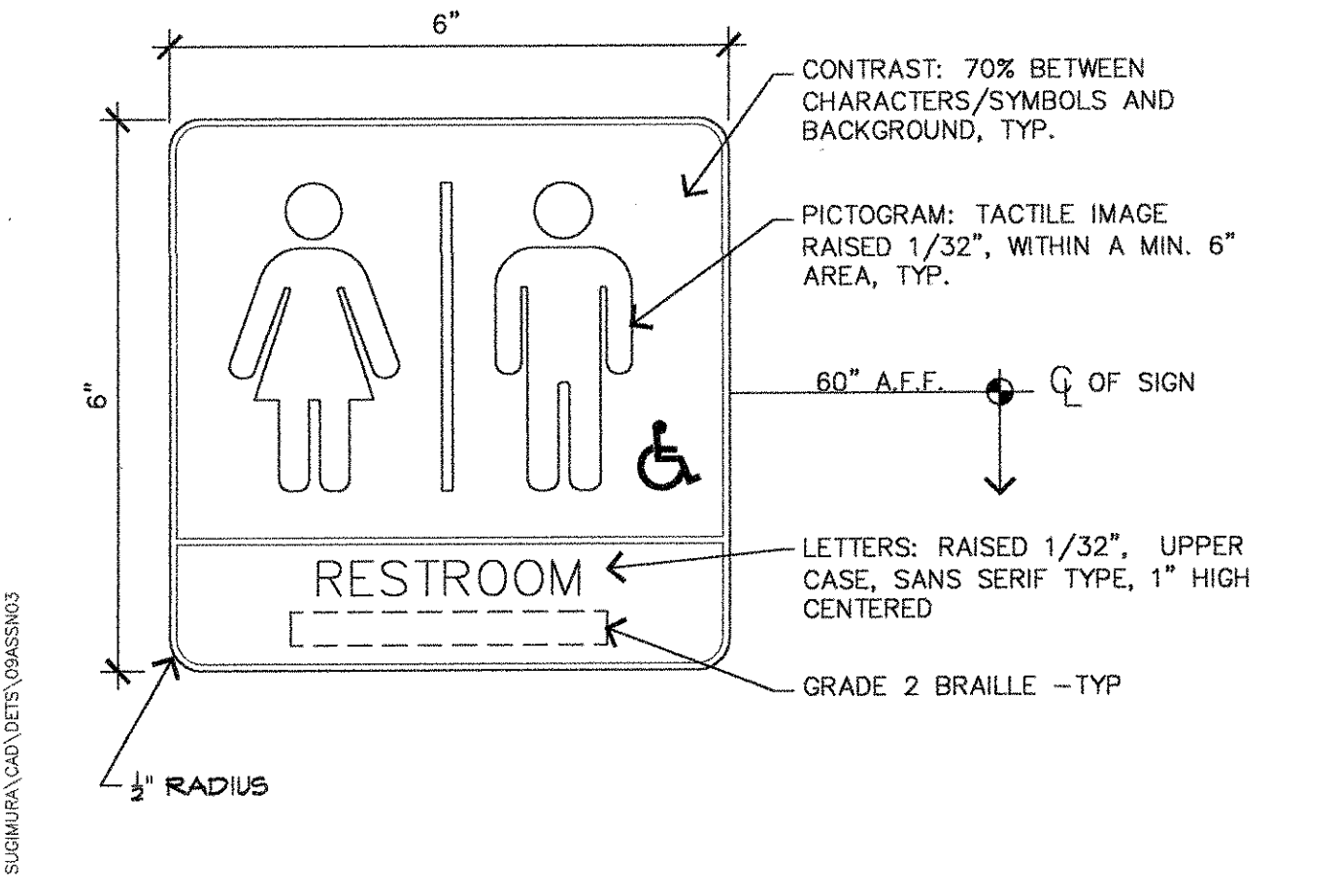
7 DRINKING FOUNTAIN W/ WING WALL INSTALLATION 3/4\"/>



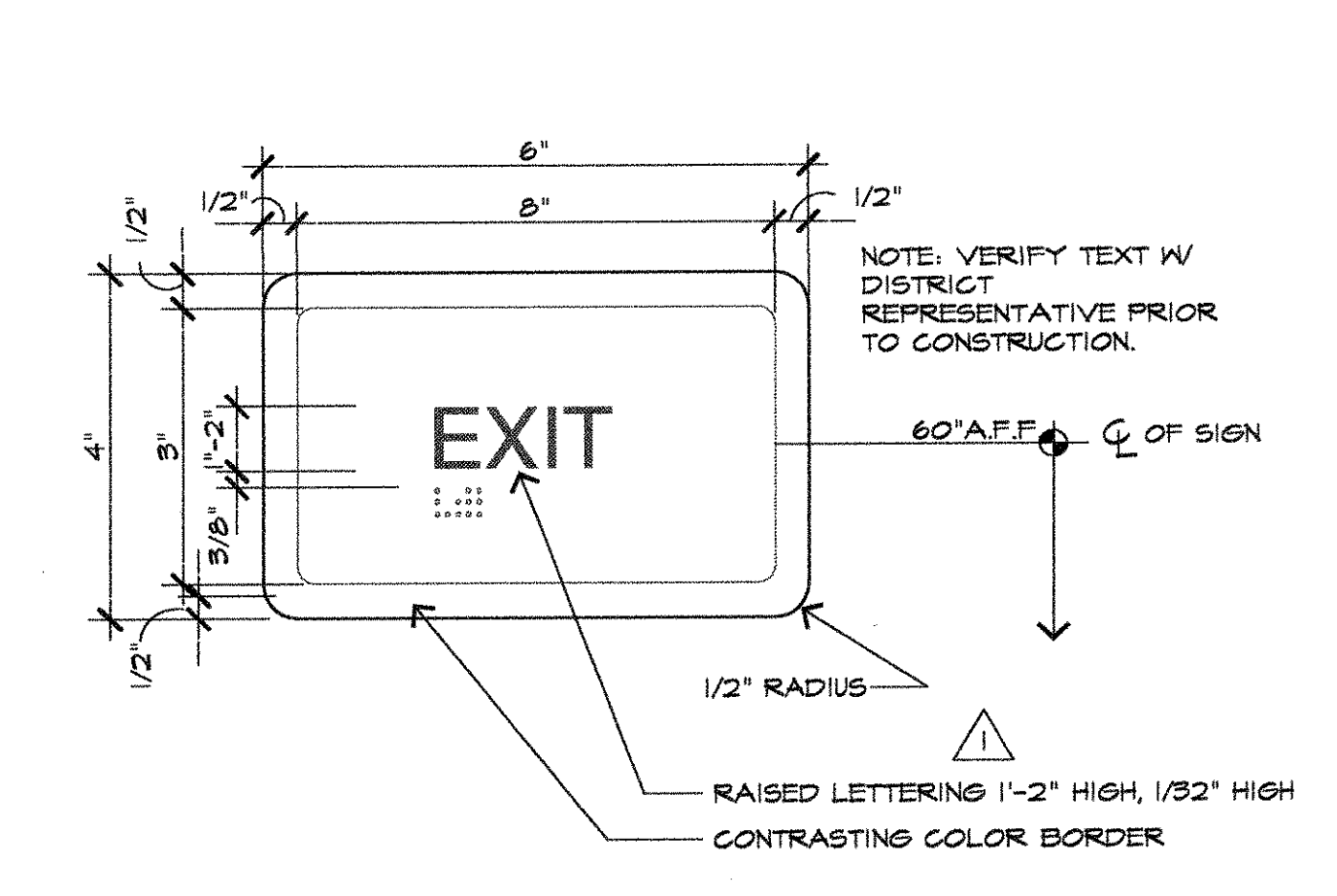
3 FIREPROOFING @ CABLE PATHWAYS N.T.S.



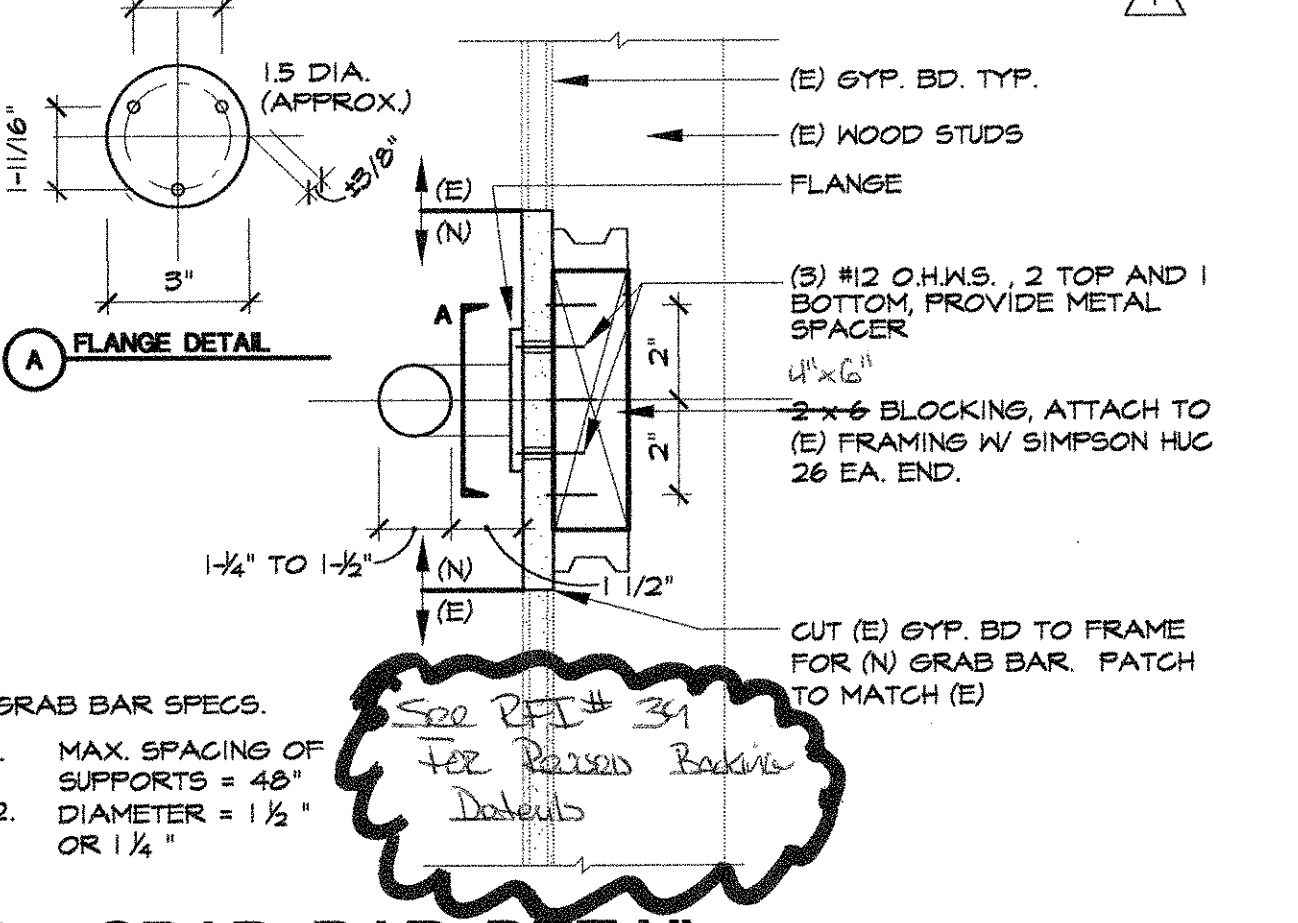
20 TYPICAL DOOR HEAD @ MASONRY WALL (JAMB SIMILAR) 3\"/>



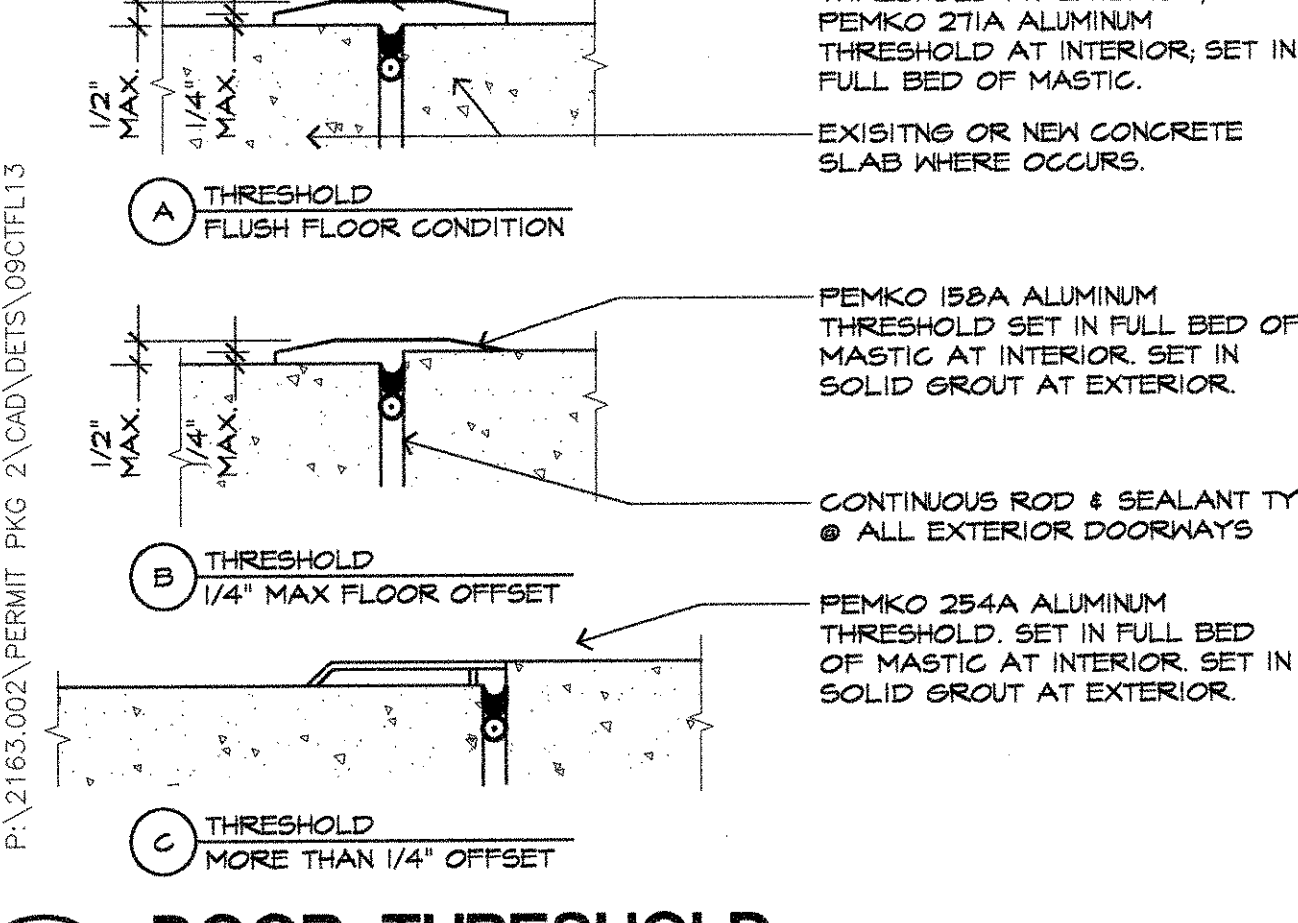
16 SINGLE COMPARTMENT SIGNAGE N.T.S.



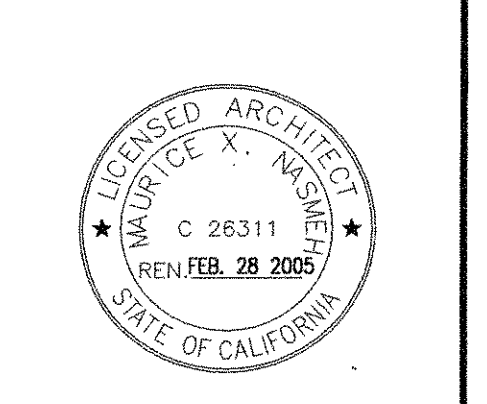
12 TACTILE EXIT SIGN N.T.S.



8 GRAB BAR DETAIL 3\"/>



4 DOOR THRESHOLD 3\"/>



REGULATORY STAMP  
 OFFICE OF REGULATION SERVICES  
 APP. NO. \_\_\_\_\_  
 AC \_\_\_\_\_  
 DATE \_\_\_\_\_  
 Division of the State Architect  
 Regional Office  
 855 Clay St., Suite 1001  
 Oakland, CA 94612

DETAILS  
 SKYLINE COLLEGE SWING SPACE  
 PERMIT PACKAGE #3  
 SKYLINE COLLEGE DRIVE  
 SAN BRUNO, CA 94086

NO.	ITEM	DATE
1	DSA BACKCHECK	5/28/04
2	CONSTRUCTION ISSUE	6/10/04
3	CONFORM SET	9/10/04

CLIENT APPROVAL:  
 DRAWN BY: KH  
 CHECKED BY:  
 JOB NO: 2145.002 DATE: 13 FEB 2004