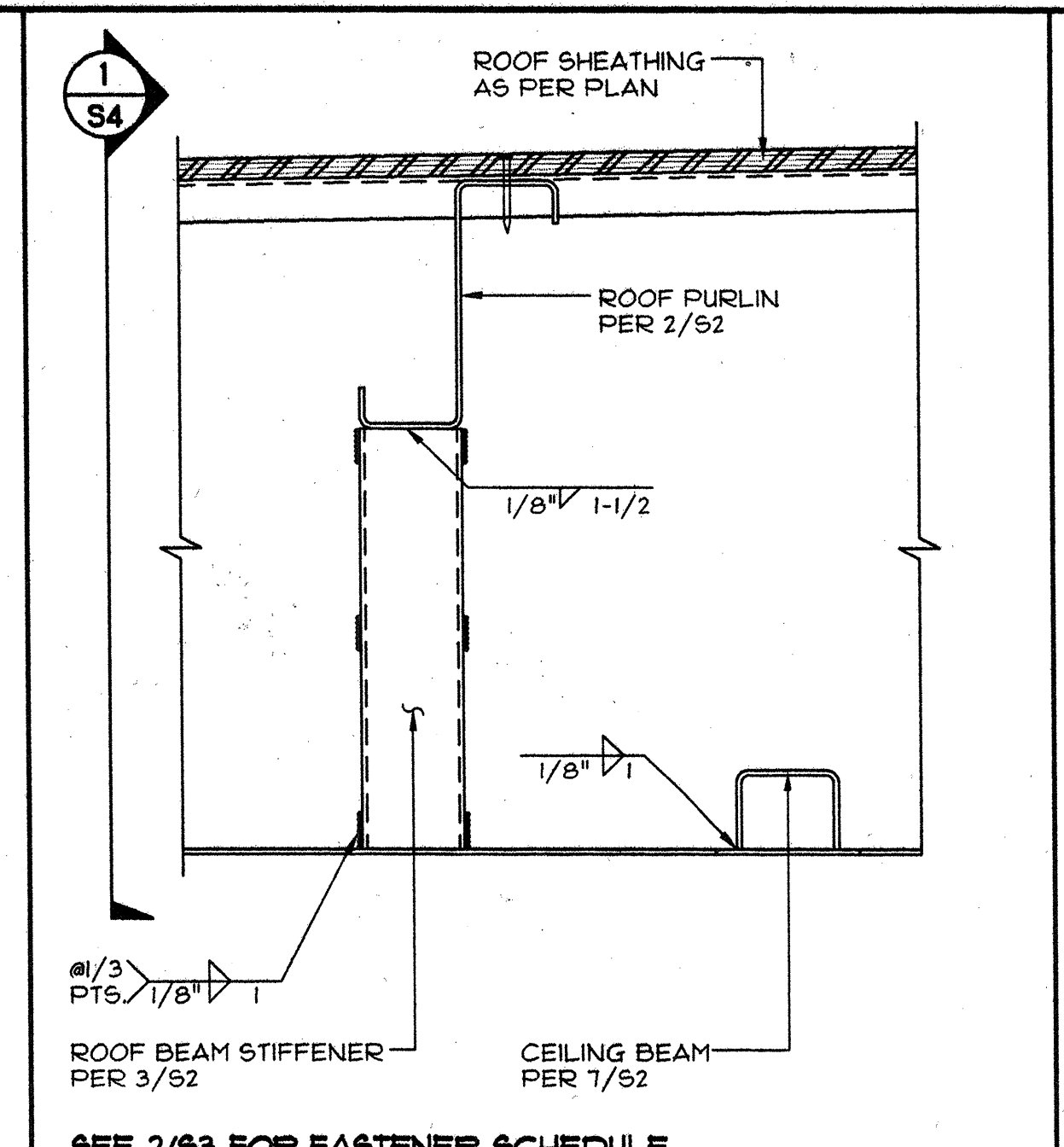
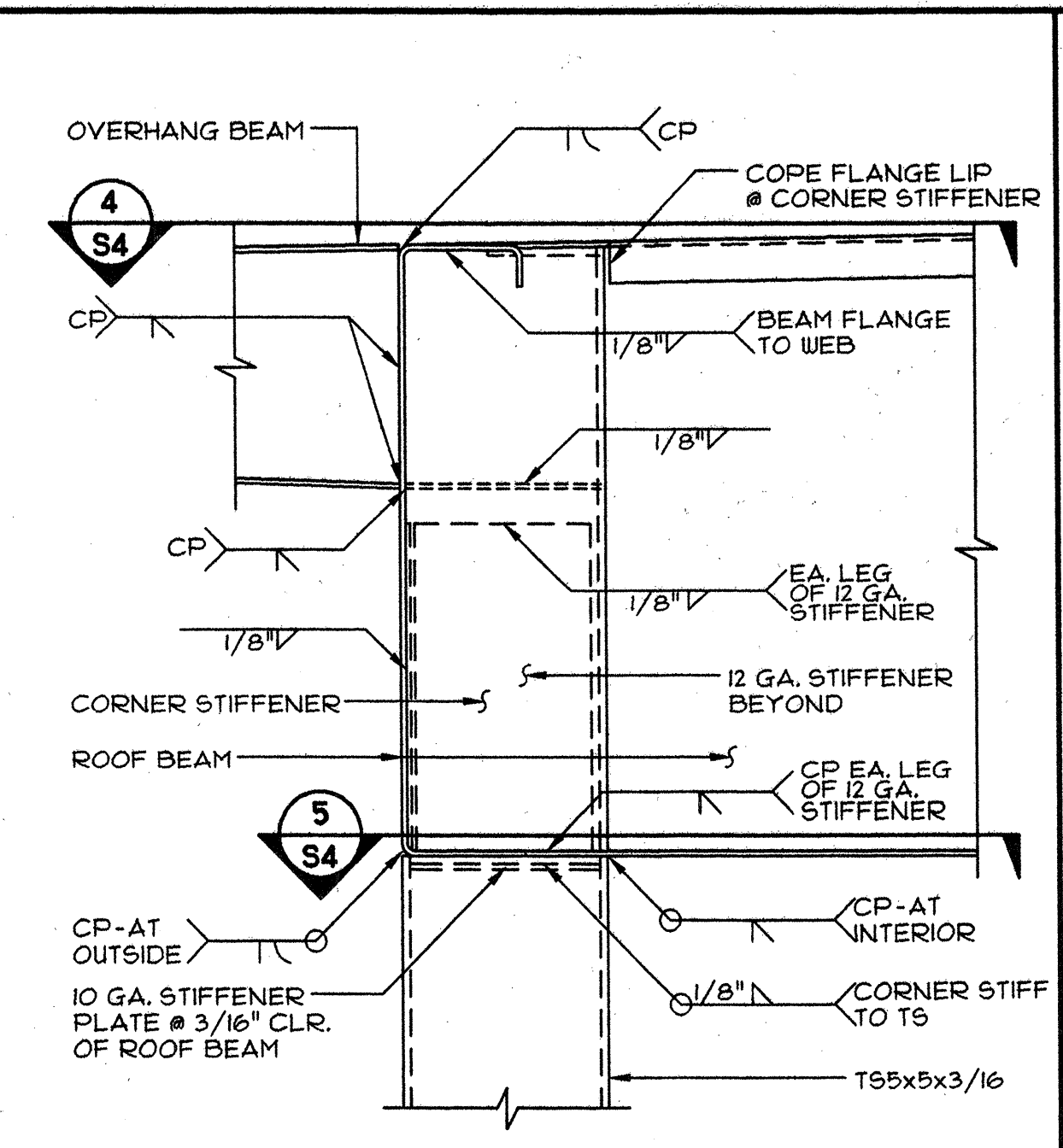


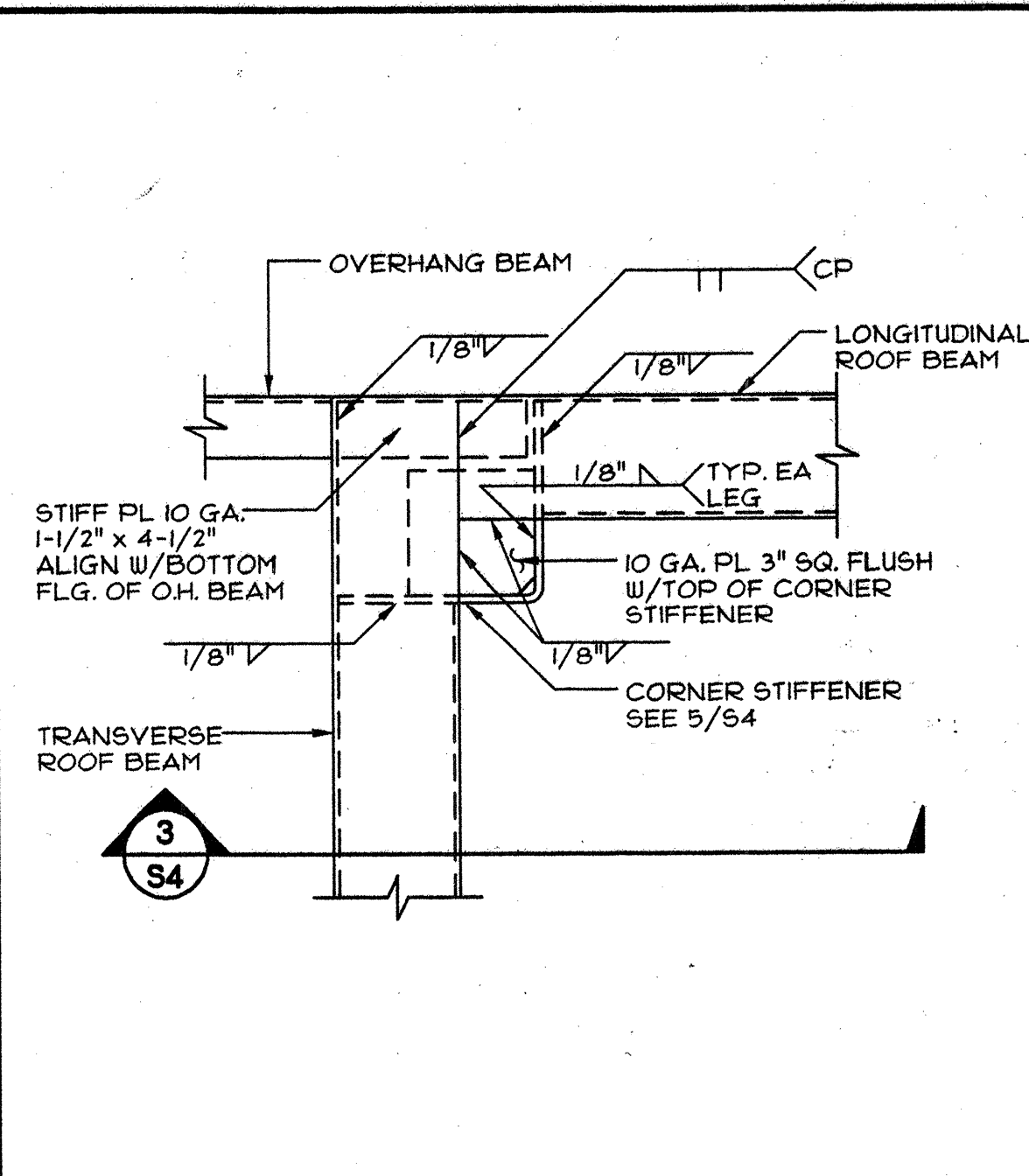
1 ROOF BEAM SECTION @ PURLIN
SCALE: 3/4"=1'-0"



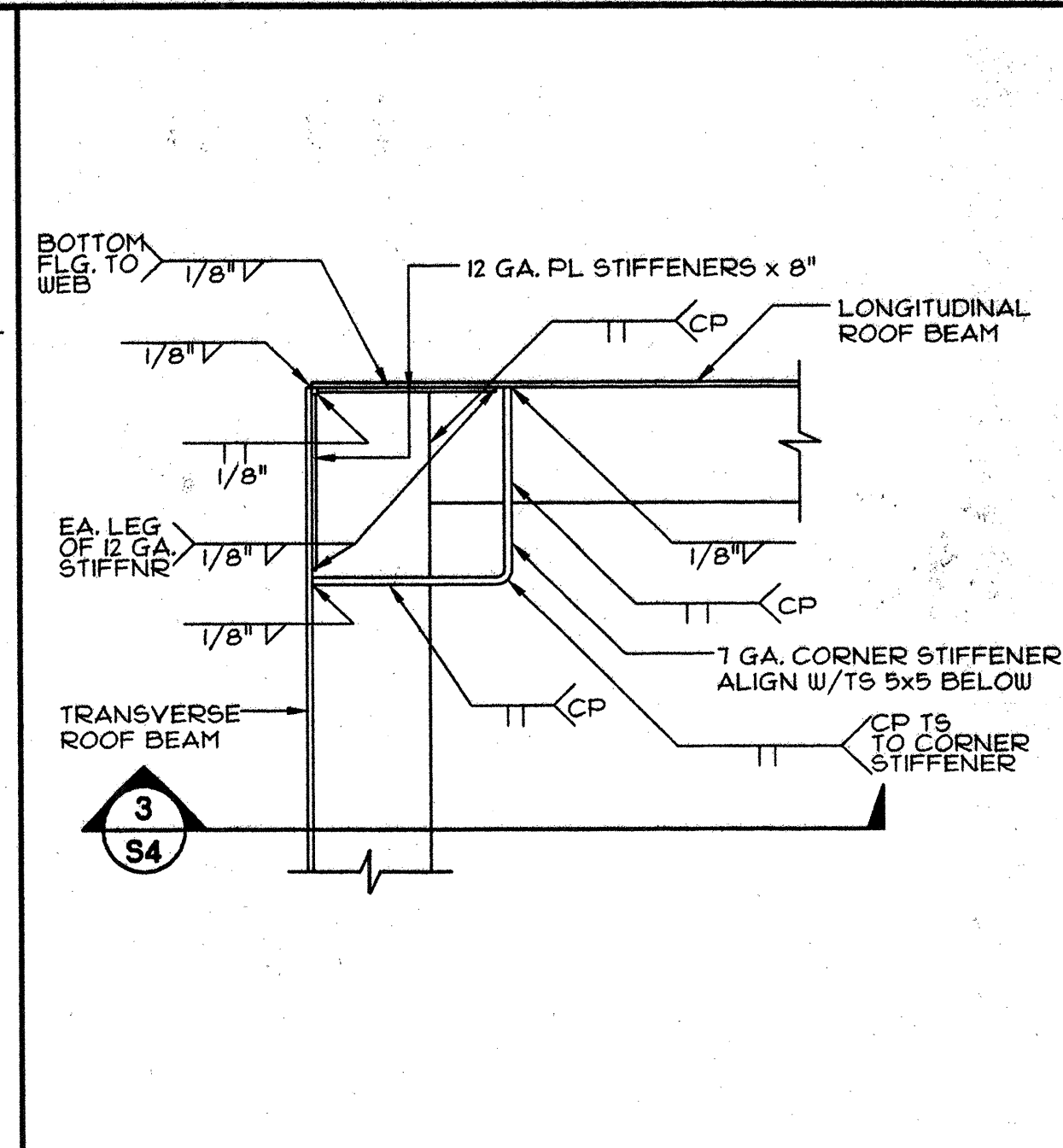
2 PURLIN TO STIFFENER AT BEAM
SCALE: 3/4"=1'-0"



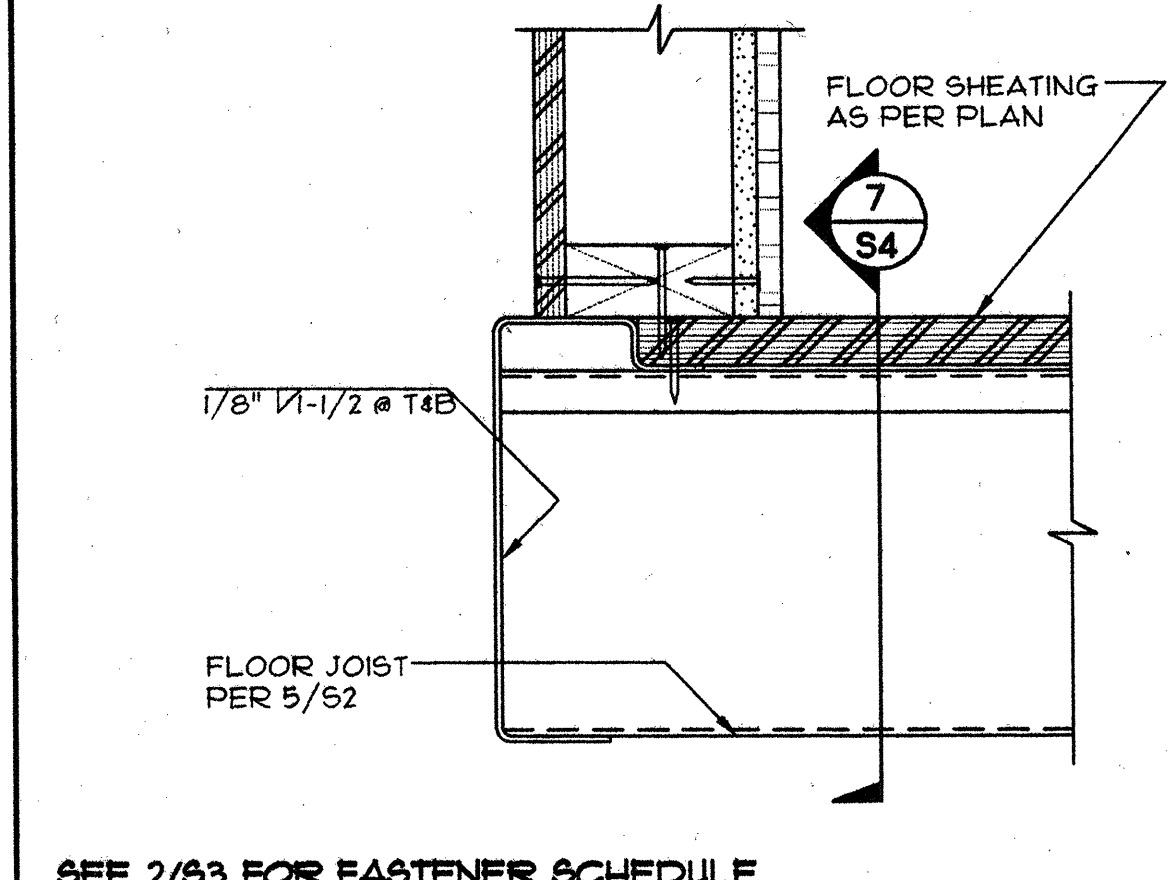
3 ROOF BEAM SECTION @ CORNER
SCALE: 3/4"=1'-0"



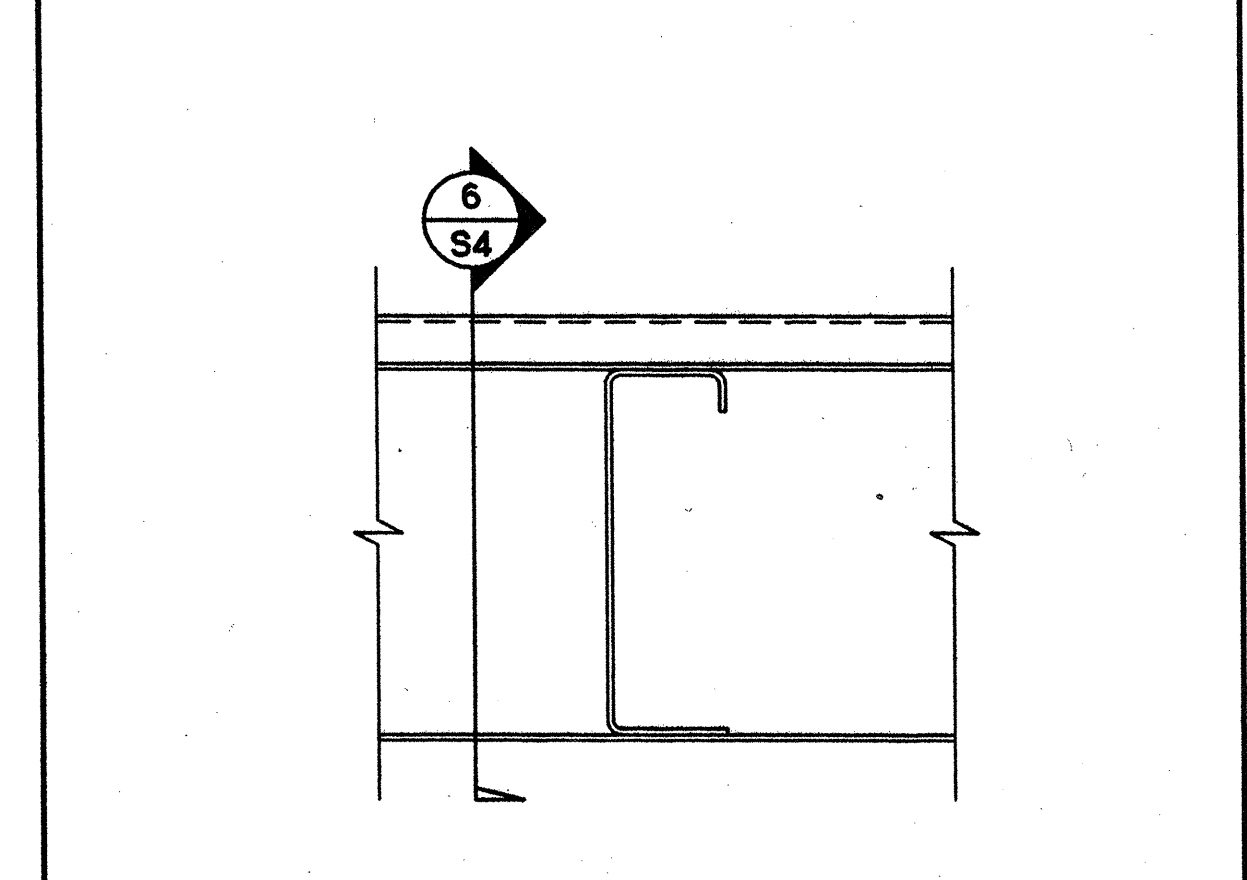
4 ROOF BEAM TOP FLANGE
SCALE: 3/4"=1'-0"



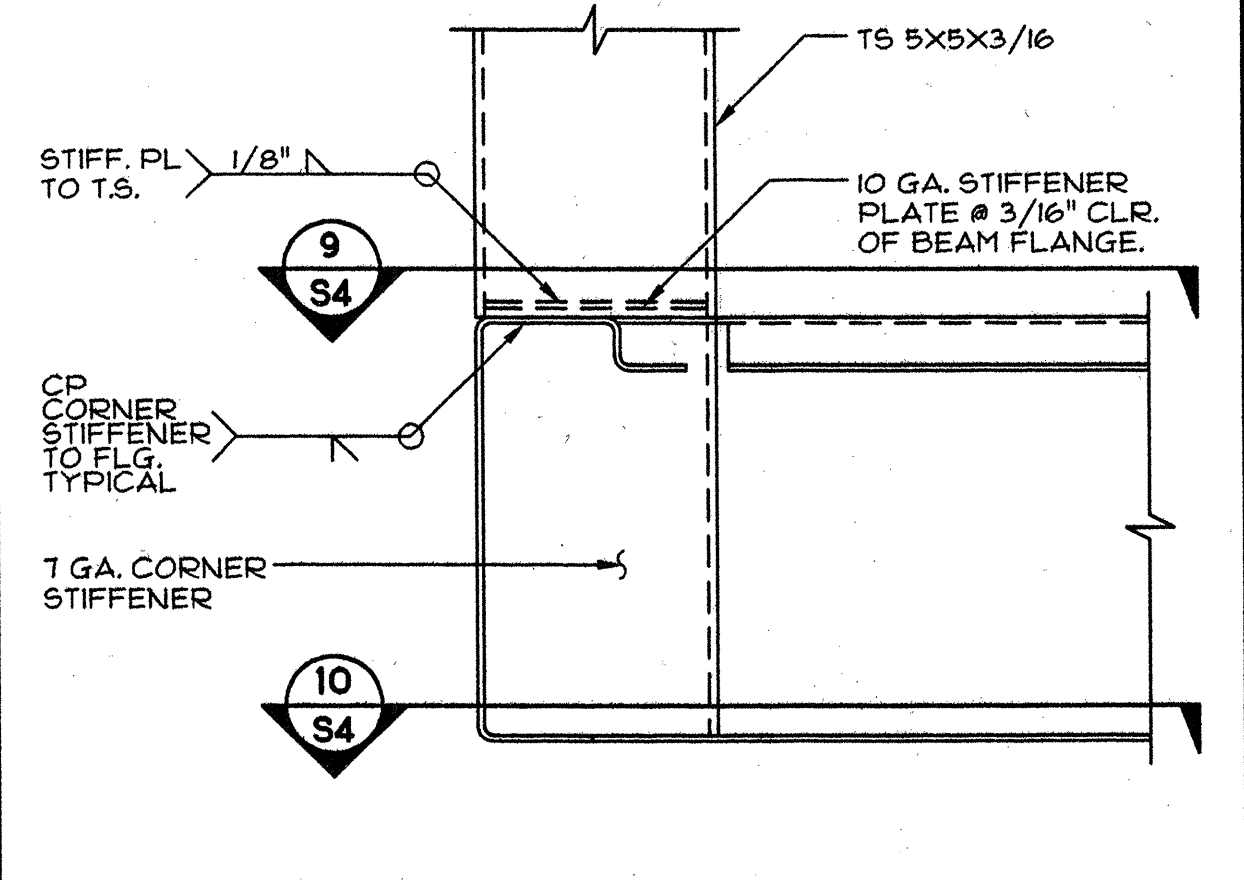
5 ROOF BEAM BOTTOM FLANGE
SCALE: 3/4"=1'-0"



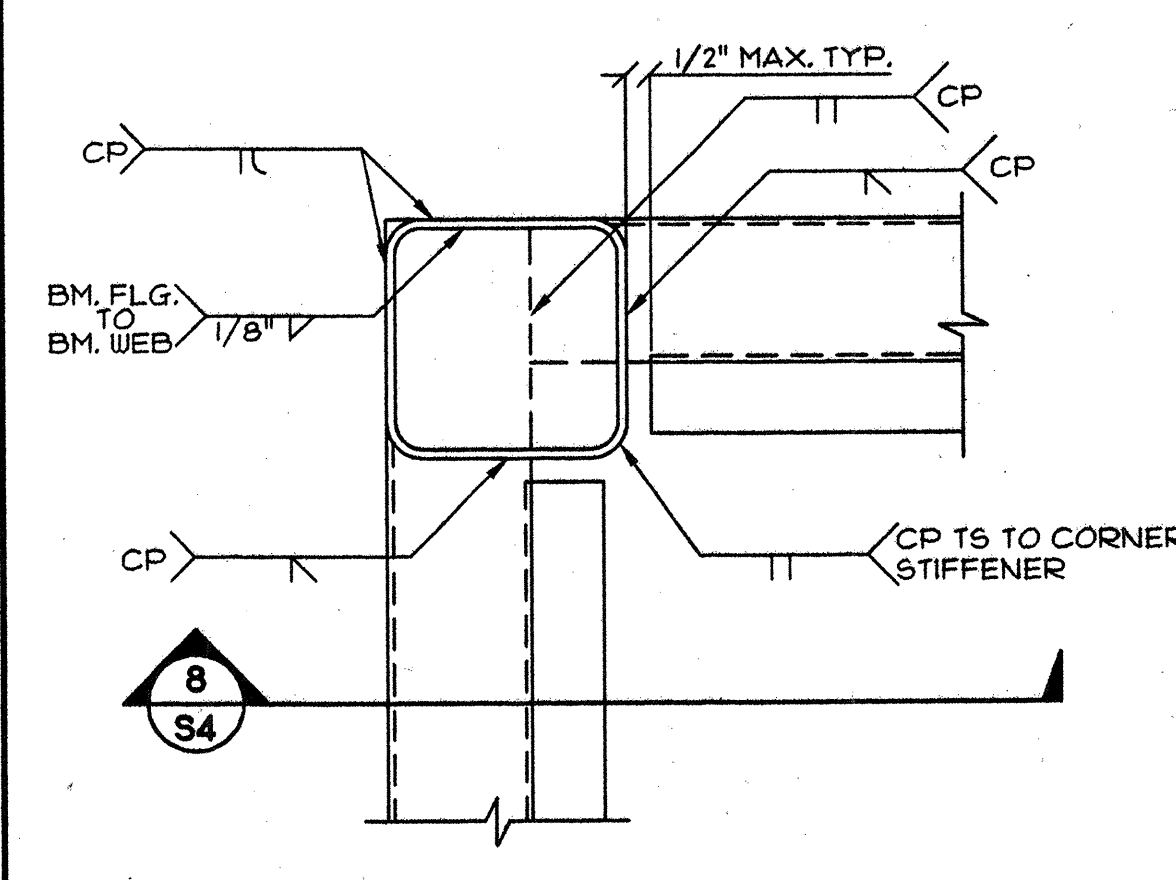
6 FLOOR BEAM @ JOIST CONNECTION
SCALE: 3/4"=1'-0"



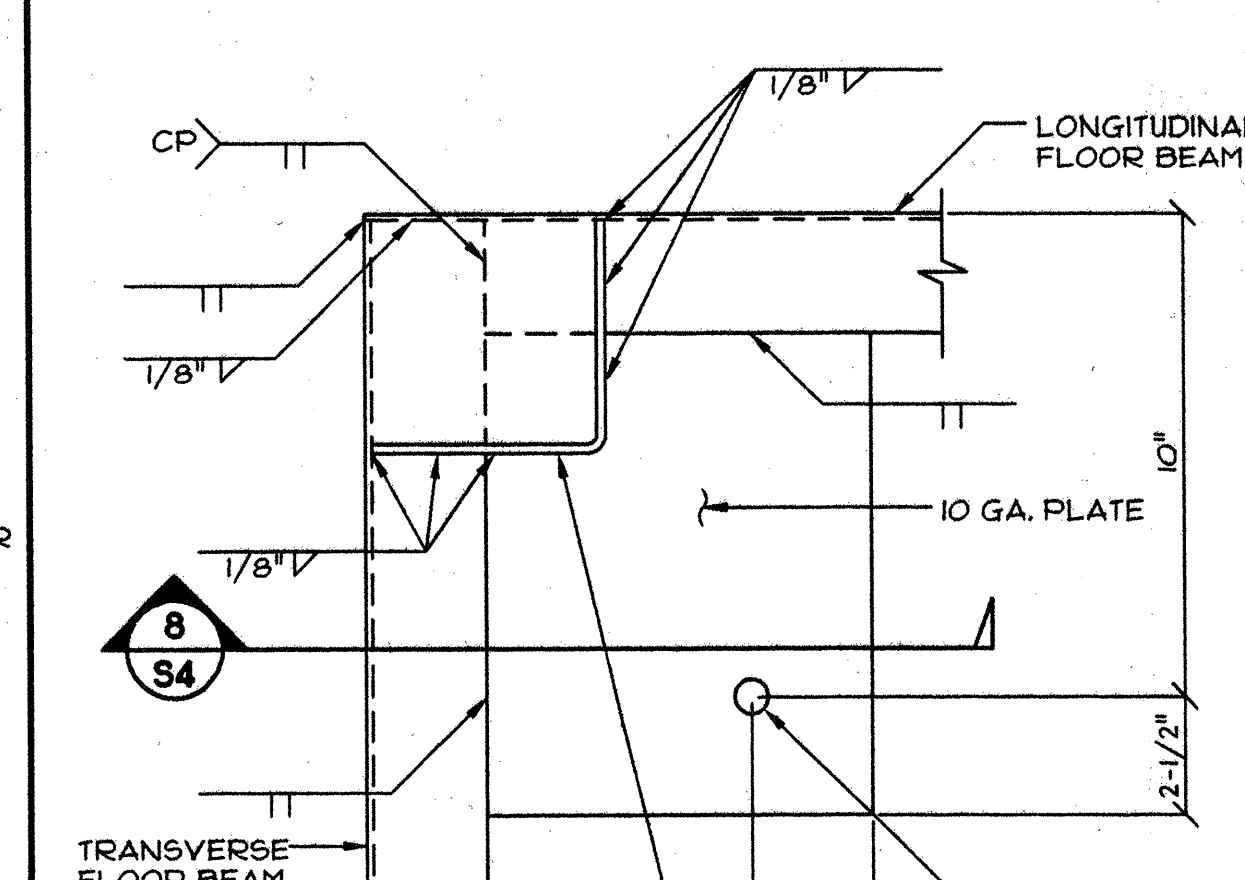
7 JOIST TO BEAM CONNECTION
SCALE: 3/4"=1'-0"



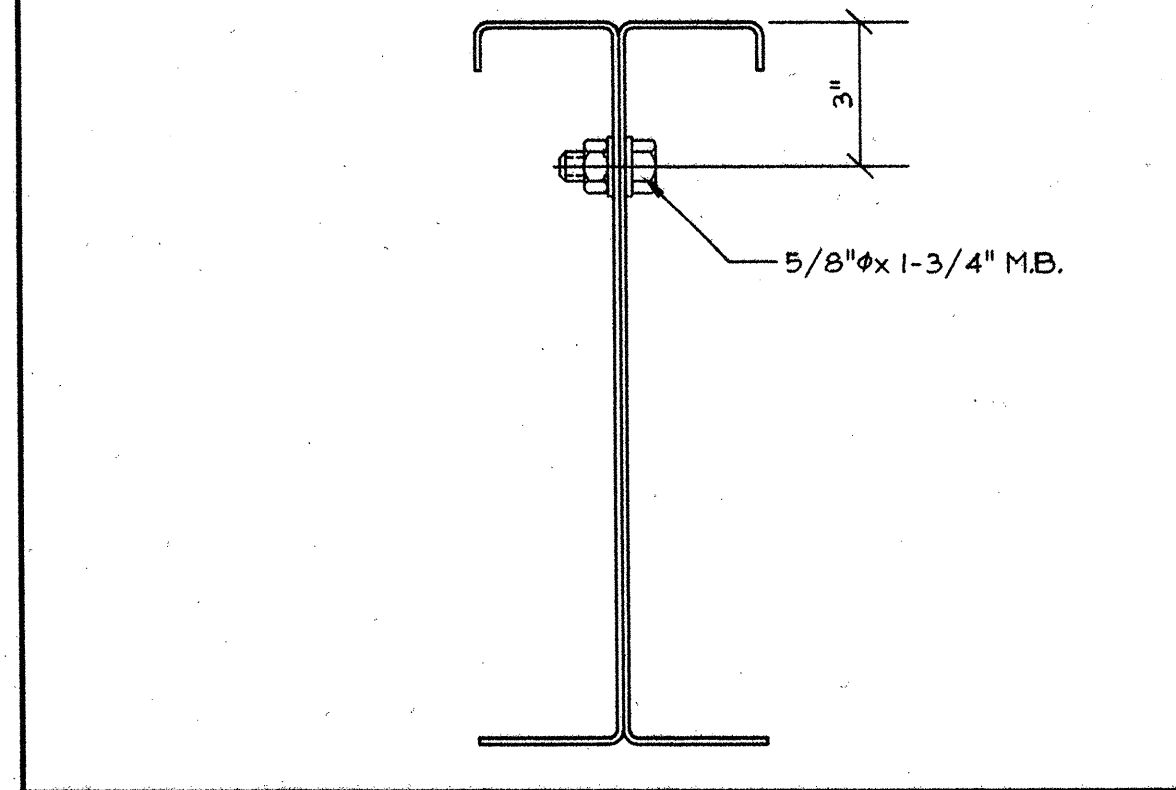
8 FLOOR BEAM SECTION @ CORNER
SCALE: 3/4"=1'-0"



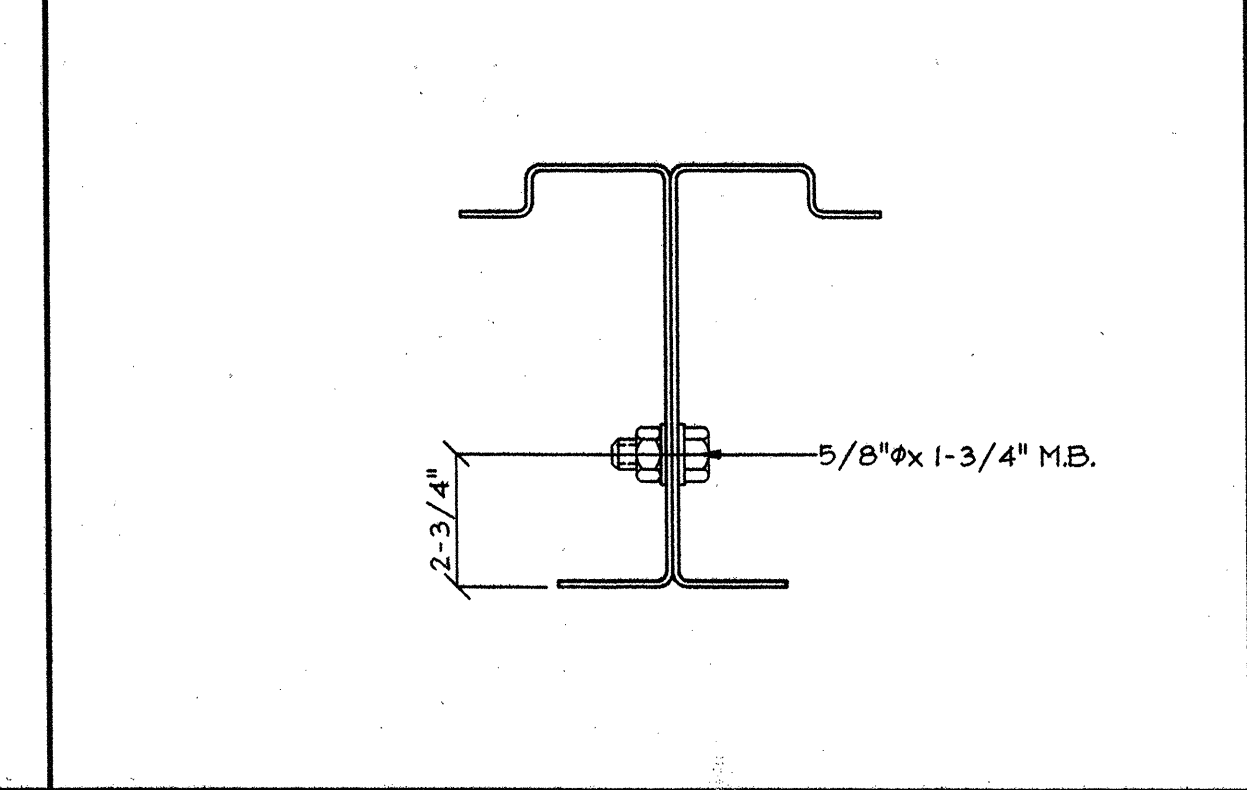
9 FLOOR BEAM TOP FLANGE
SCALE: 3/4"=1'-0"



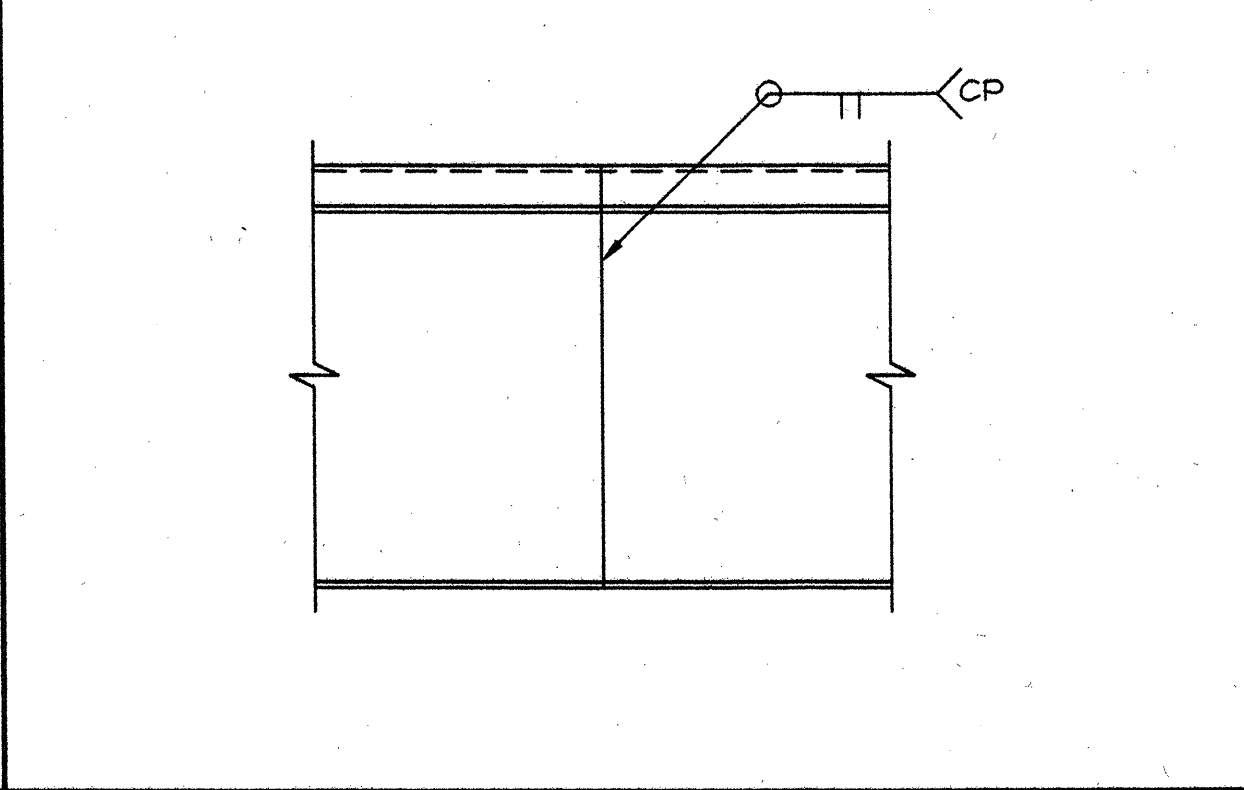
10 FLOOR BEAM BOTTOM FLANGE
SCALE: 3/4"=1'-0"



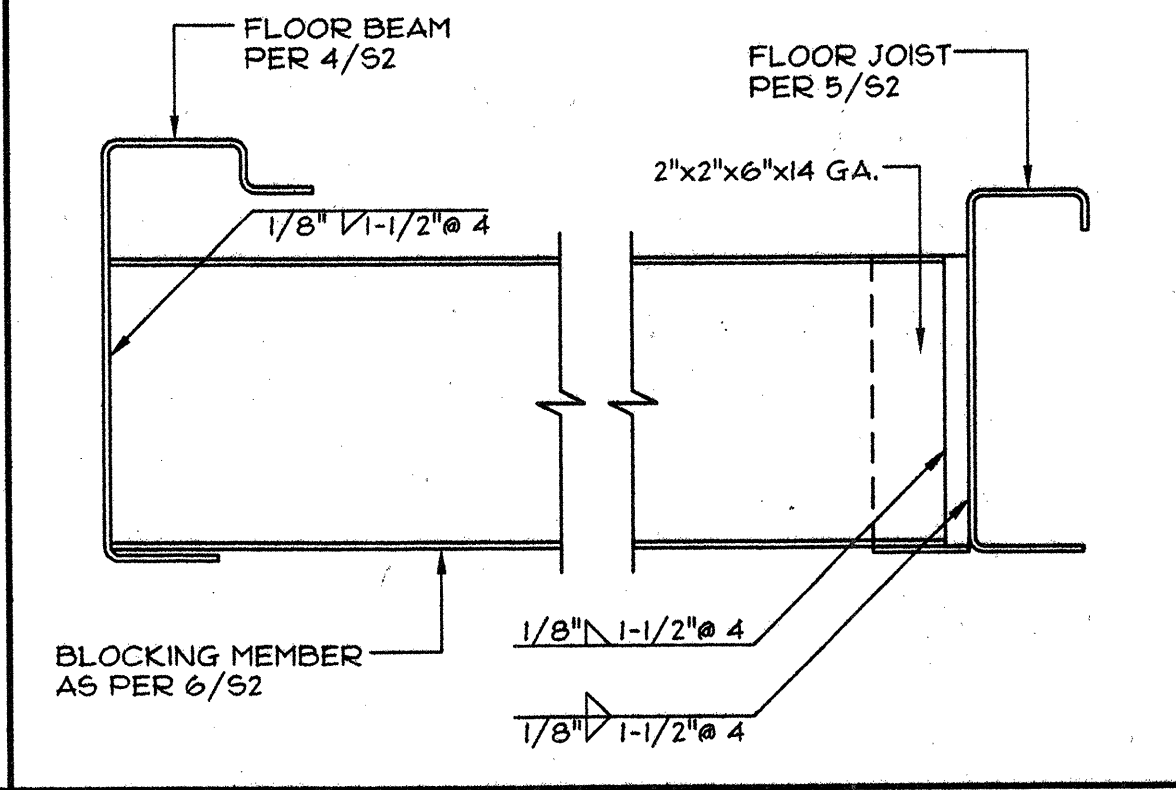
11 ROOF BEAM CONNECTION @ MOD LINE
SCALE: 3/4"=1'-0"



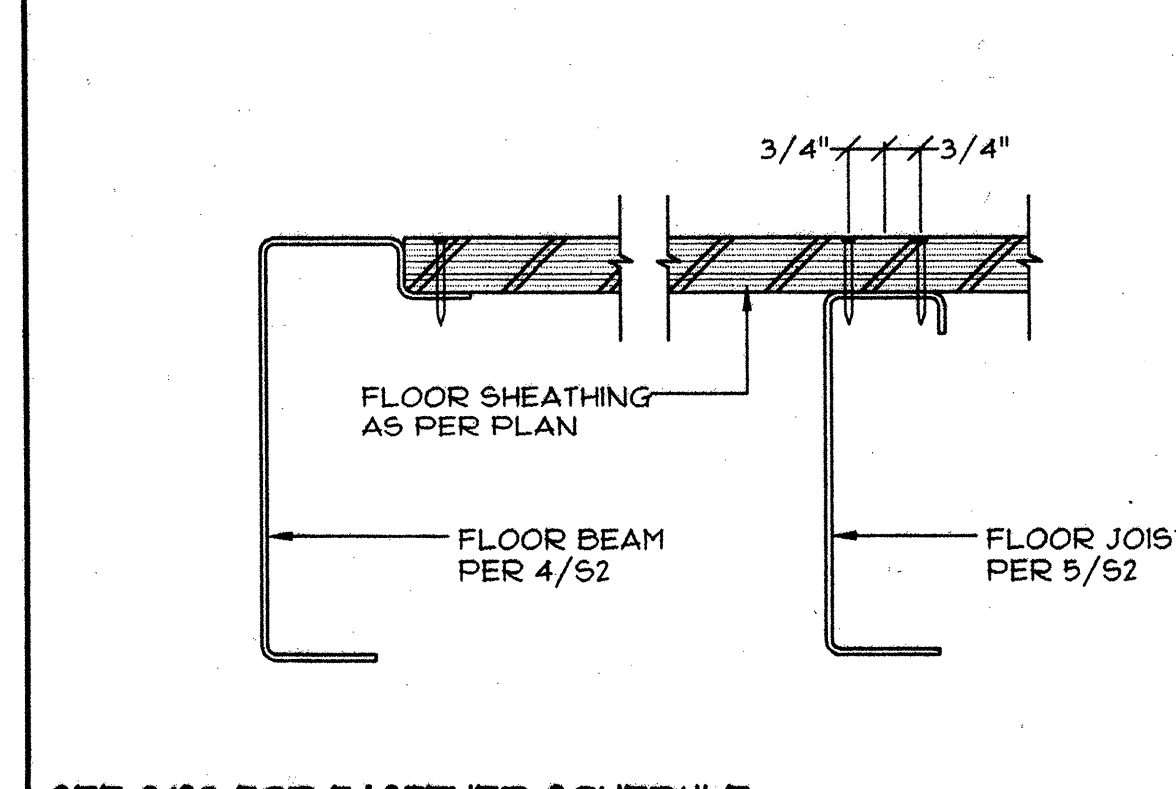
12 FLR BEAM CONNECTION @ MOD LINE
SCALE: 3/4"=1'-0"



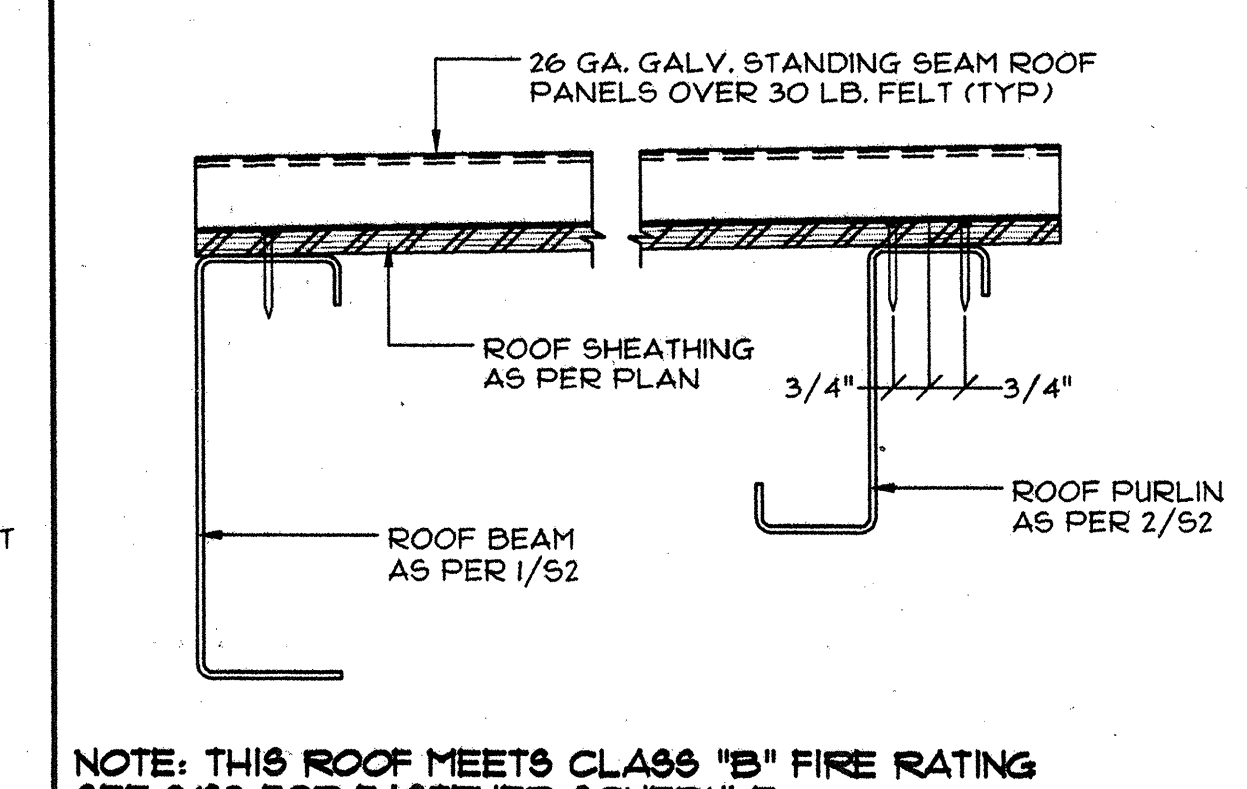
13 BEAM SPLICE DETAIL
SCALE: 3/4"=1'-0"



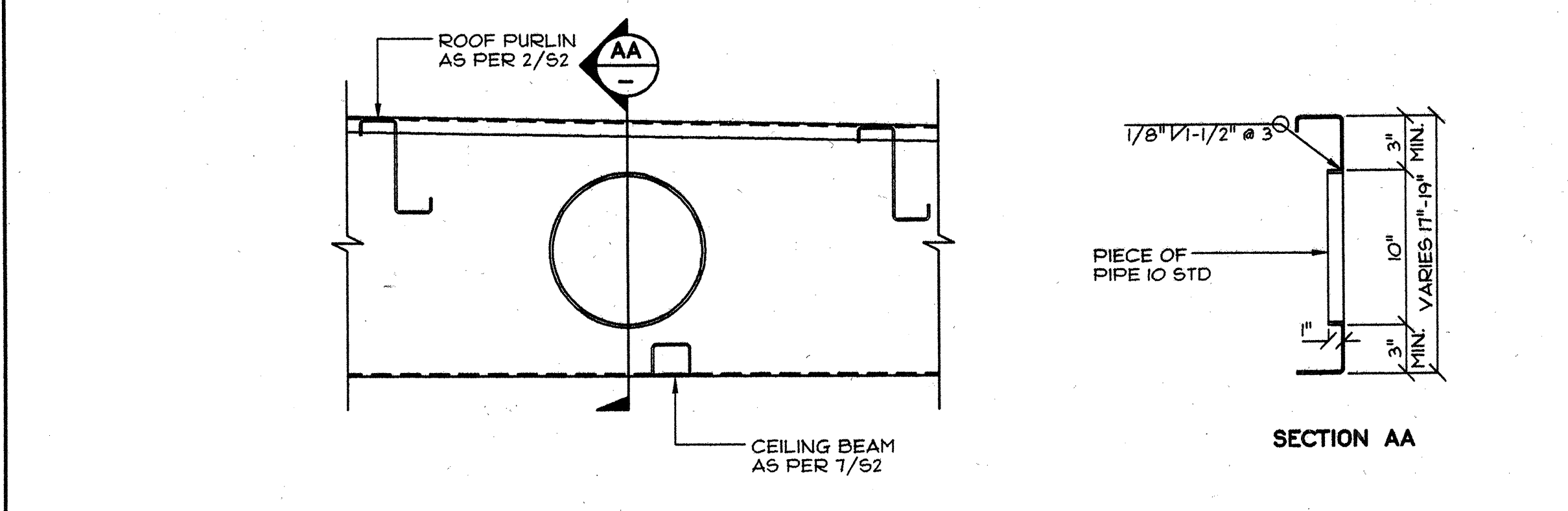
14 BLOCKING MEMBER CONNECTION
SCALE: 3/4"=1'-0"



15 FLOOR SHEATHING ATTACHMENT
SCALE: 3/4"=1'-0"



16 ROOF SHEATHING ATTACHMENT
SCALE: 3/4"=1'-0"



17 10" ROOF BEAM PENETRATION @ MOD-LINE
SCALE: 1-1/2"=1'-0"

18 APPROVALS

PC

IDENTIFICATION STAMP
DIVISION OF THE STATE ARCHITECT
02-101236

AC: P.S. SS/20
DATE: 11/19/99

DESIGN CRITERIA
ROOF: DEAD LOAD - 8.0 PSF
ROOF: LIVE LOAD - 20.0 PSF (SNOW)
FLOOR: DEAD LOAD - 8.0 PSF
FLOOR: LIVE LOAD - 50.0 PSF
(OPTIONAL) FLOOR: LIVE LOAD - 70.0 PSF
(OPTIONAL) FLOOR: LIVE LOAD - 125.0 PSF
WALLS: DEAD LOAD - 8.0 PSF
WIND: 80 MPH; EXPOSURE: C
q_s=16.4 PSF; C_e=1.06; C_d AS REQ.
SEISMIC: ZONE 4, R=4.5, I_m=2.8, N_e=1.5, C_s=0.44, N₂=2.0, C_m=0.64

CONFIDENTIAL MATERIAL - THESE DOCUMENTS ARE THE PROPERTY OF AND ARE NOT TO BE REPRODUCED OR DISTRIBUTED WITHOUT FULL KNOWLEDGE AND WRITTEN CONSENT FROM ENVIROPLEX, INC.
© COPYRIGHT 1999 ENVIROPLEX, INC. (ALL DRAWINGS PREPARED BY ENVIROPLEX, INC.)

18 APPROVALS

JH Lawder, Inc.
Structural Engineers
717 6th Street
Modesto, CA 95354
(209) 521-1145 FAX (209) 521-1186

PROFESSIONAL ENGINEER
JOHN H. LAWDER
No. 33310
Exp. 3-31-01
STRUCTURAL
STATE OF CALIFORNIA

ENVIROPLEX, INC.
4777 E. CARPENTER ROAD STOCKTON, CA. 95215

CONNECTION DETAILS

REVISION DATE: BY:

DATE:

THIS MODULAR BLDG. HAS BEEN ENGINEERED BY A REGISTERED STRUCTURAL ENGINEER AND PREVIOUSLY REVIEWED & APPROVED BY THE DIVISION OF THE STATE ARCHITECT, FIRE & LIFE SAFETY AND ACCESS COMPLIANCE SECTION

94