

1 24' x 40' "50 P.S.F." WOOD FOUNDATION PLAN SCALE: 1/4"=1'-0"

4 PERIMETER PIER STACKING DETAIL SCALE: 1-1/2"=1'-0"

5 INTERIOR PIER STACKING DETAIL SCALE: 1-1/2"=1'-0"

1. BOTTOM LAYER OF PIERS SHALL BE PRESSURE TREATED HEM FIR NO. 3 OR BETTER. FOUNDATION GRADE WOOD IN CONTACT WITH SOIL SHALL BE PRESERVATIVE TREATED & SHALL BE STAMPED "FOR GROUND CONTACT". PRESERVATIVE TREATED MATERIAL SHALL BE VERIFIED BY A CERTIFICATE OF TREATMENT STATING "THE MATERIAL IN THIS UNIT WAS TREATED PER UNIFORM BUILDING CODE, SECTION 2303A.3". EACH PIECE PRESSURE TREATED MATERIAL SHALL BE STAMPED WITH THE APPROPRIATE STAMP.

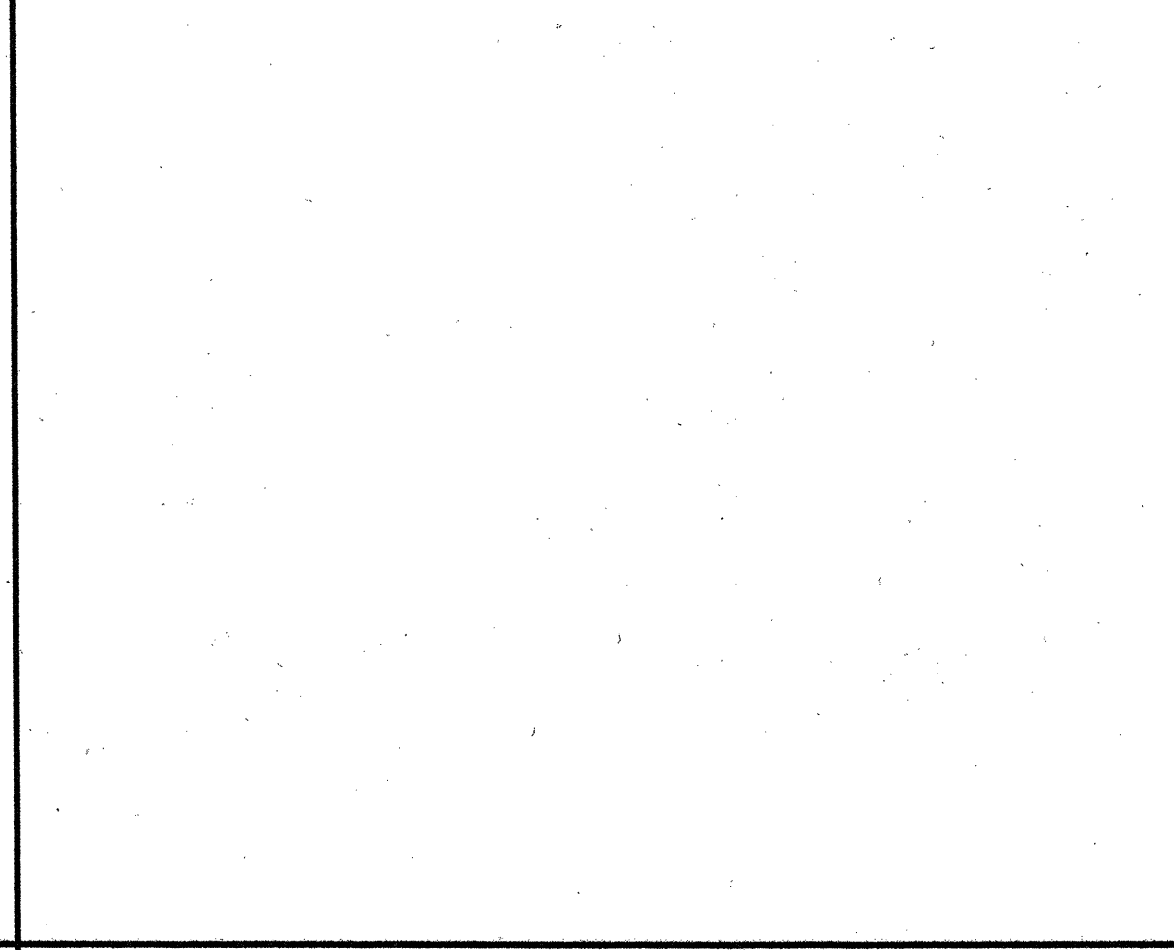
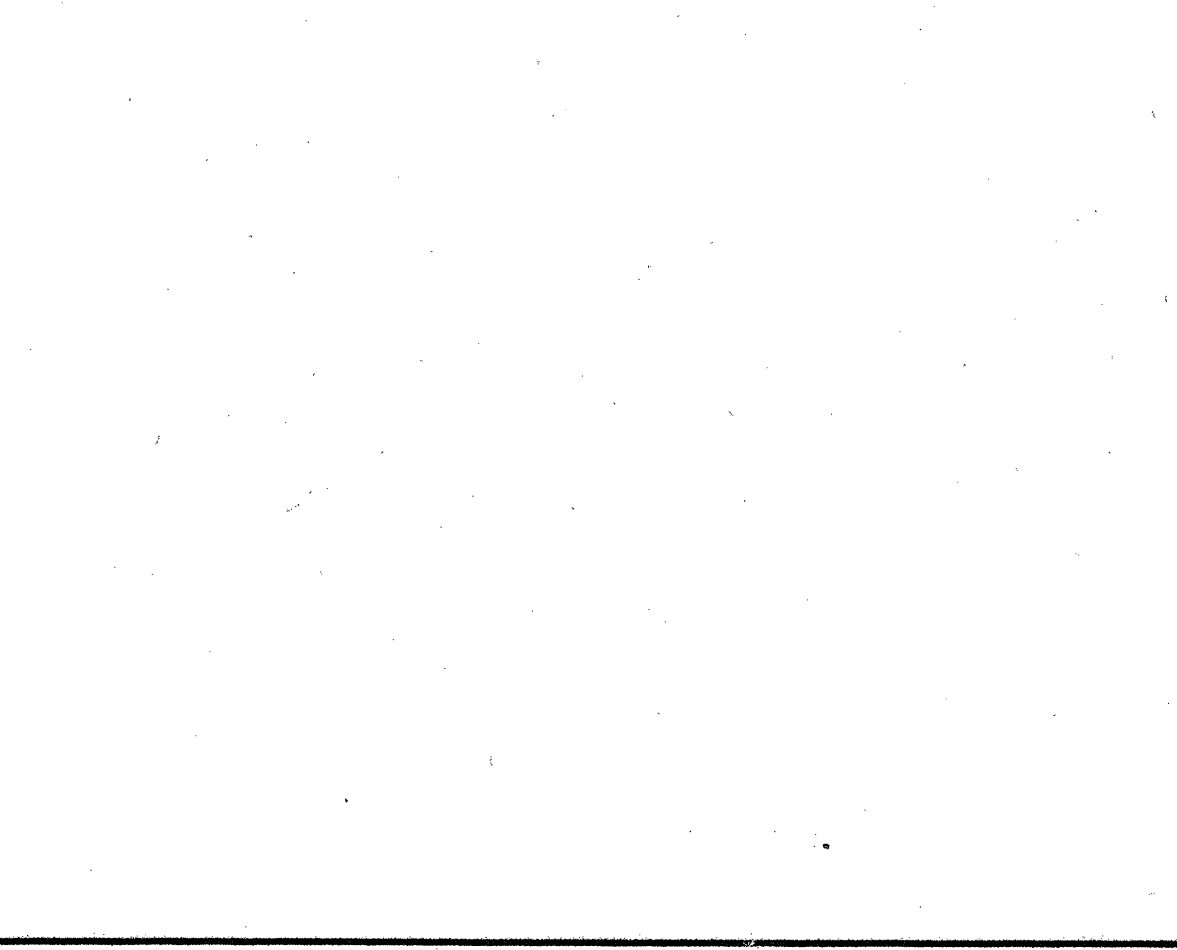
2. ALL NAILS SHALL BE CORROSIVE RESISTANT NAILS IN ACCORDANCE WITH SECTION 2318A.3.4 C.B.C. HDG W/MIN 10 @/ SQ. FT. ZINC

3. SHIM PIERS AS REQUIRED WITH APA RATED PLYWOOD MADE WITH EXTERIOR GLUE. SHIMS SHALL BE CONTINUOUS ACROSS LENGTH OF PIERS AS FIELD CONDITIONS ALLOW. PLYWOOD SHIMS SHALL NOT BE IN DIRECT CONTACT WITH THE SOIL.

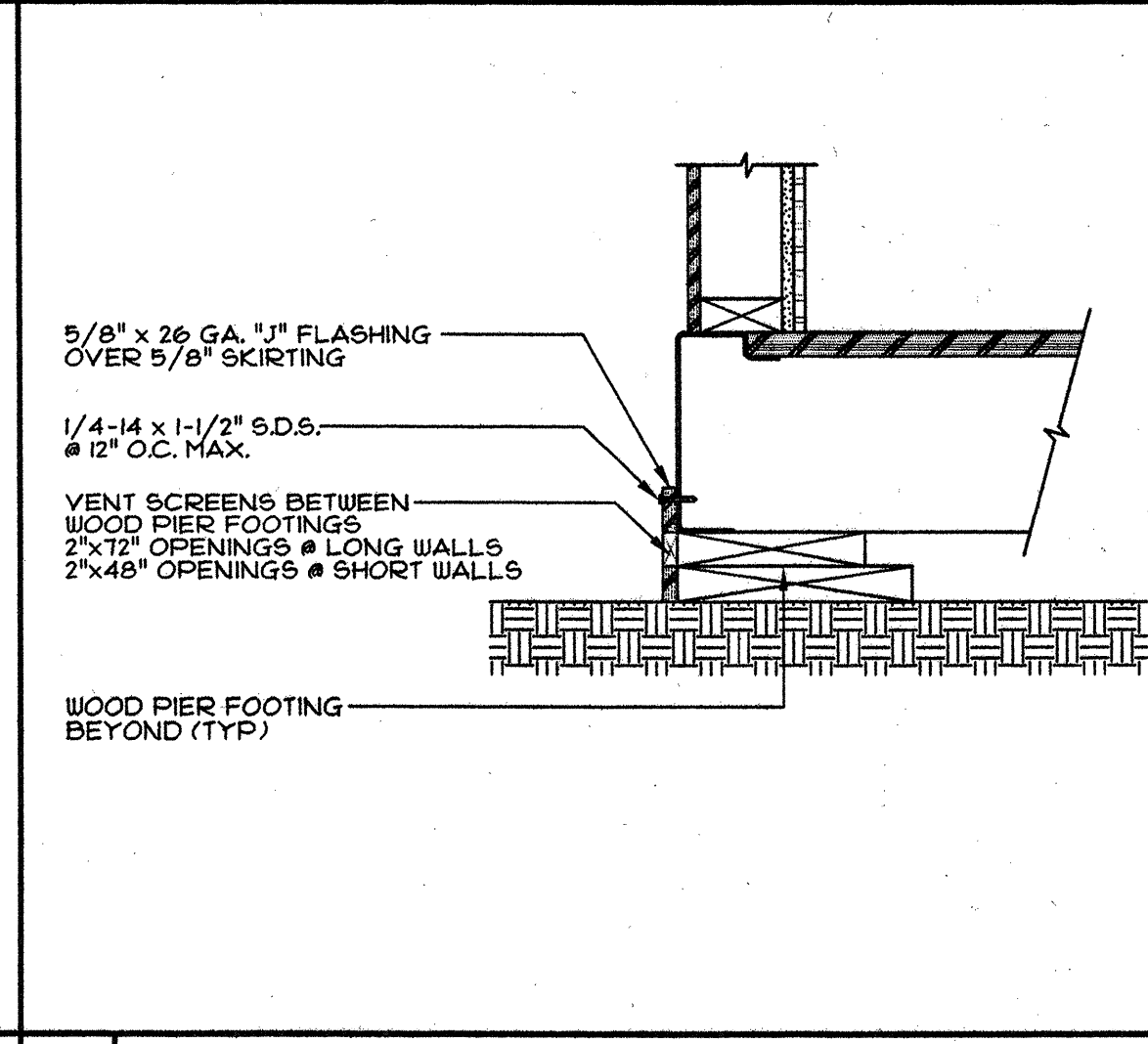
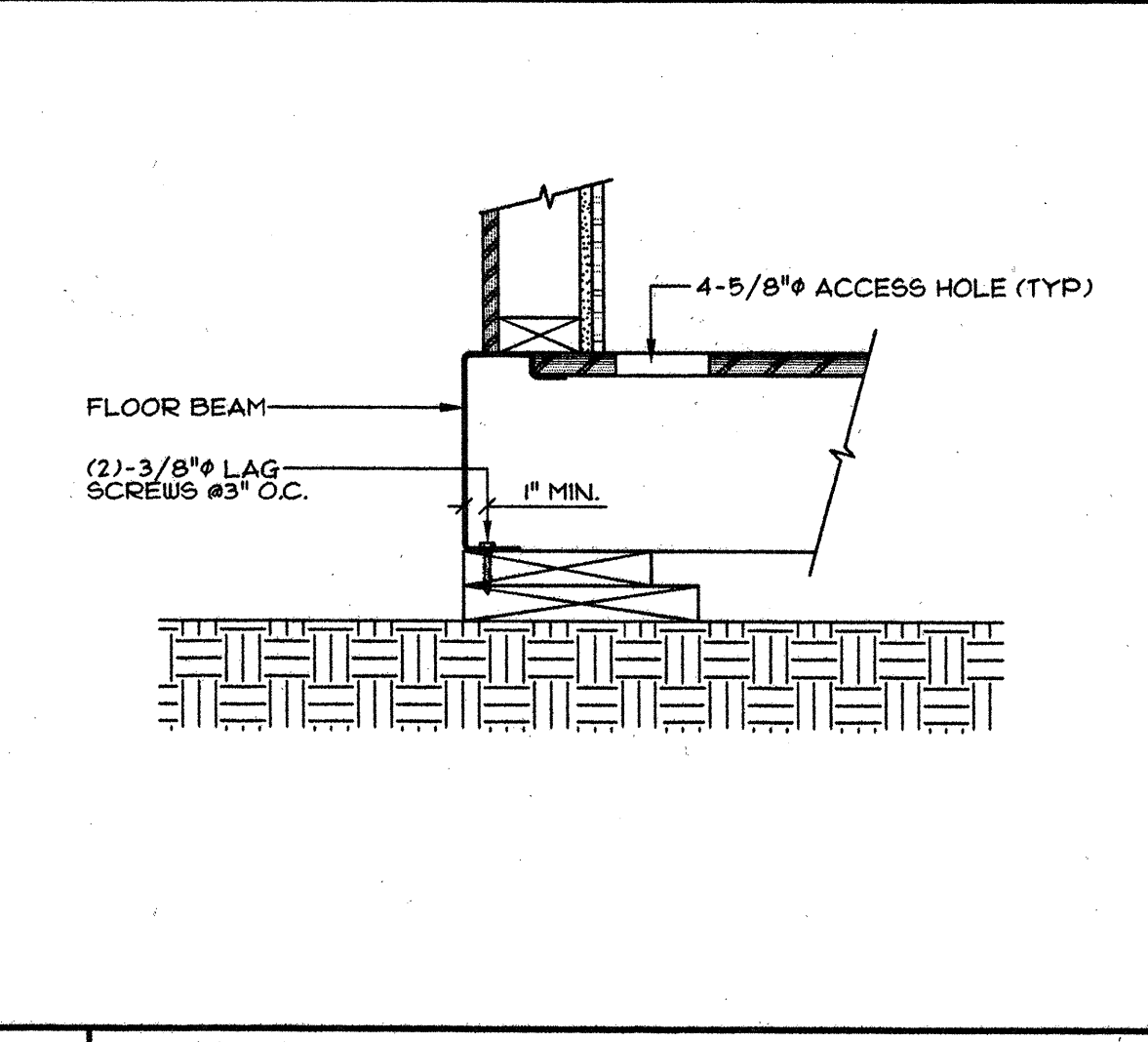
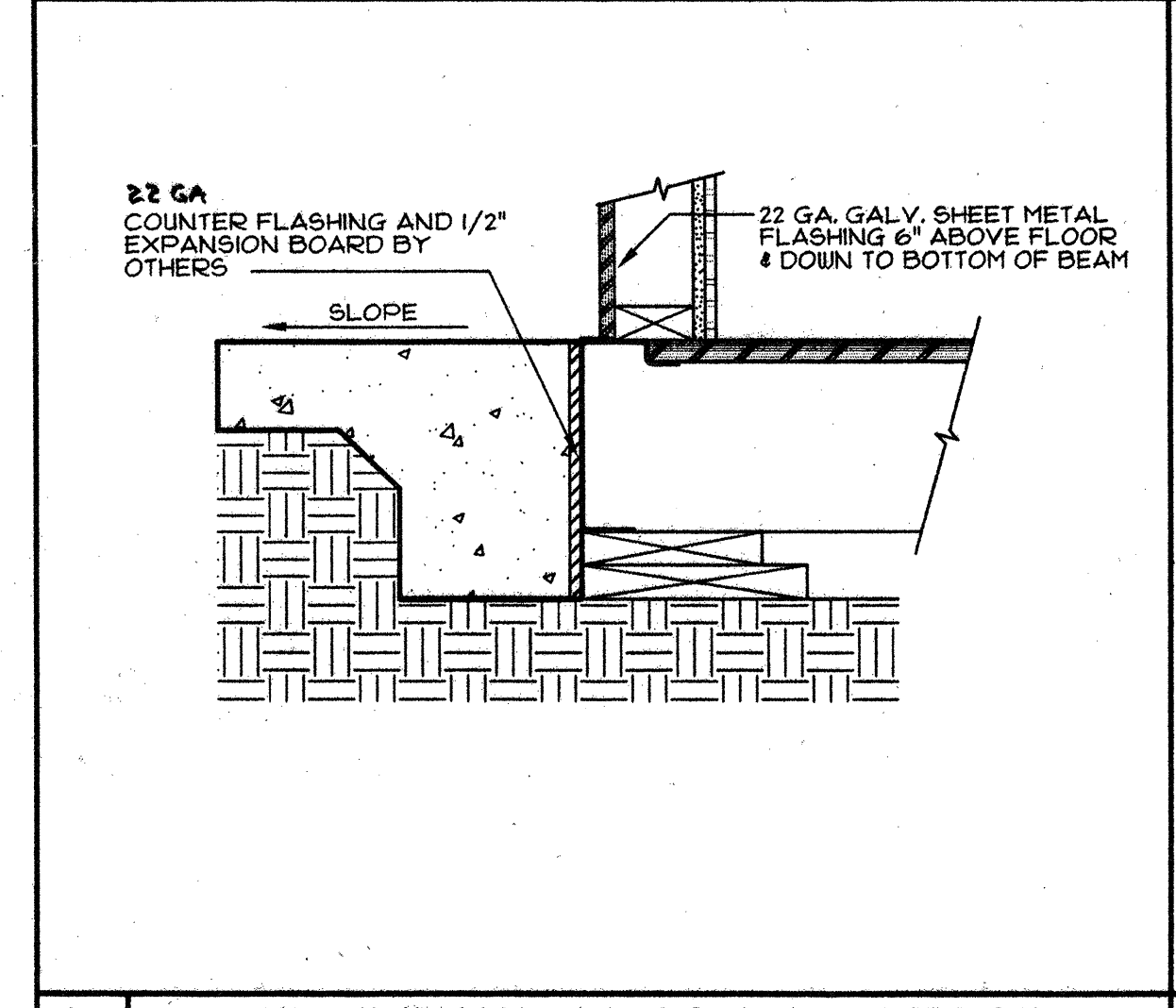
4. SOIL BEARING PRESSURE IS ASSUMED AT 1000 P.S.F.

5. FOUNDATION SHOWN ON (2) LAYERS OF WOOD. ANY ADDITIONAL LAYERS OF WOOD ARE TO BE STACKED AS PER STACKING DETAILS 4/SIW50, 5/SIW50 & 6/SIW50

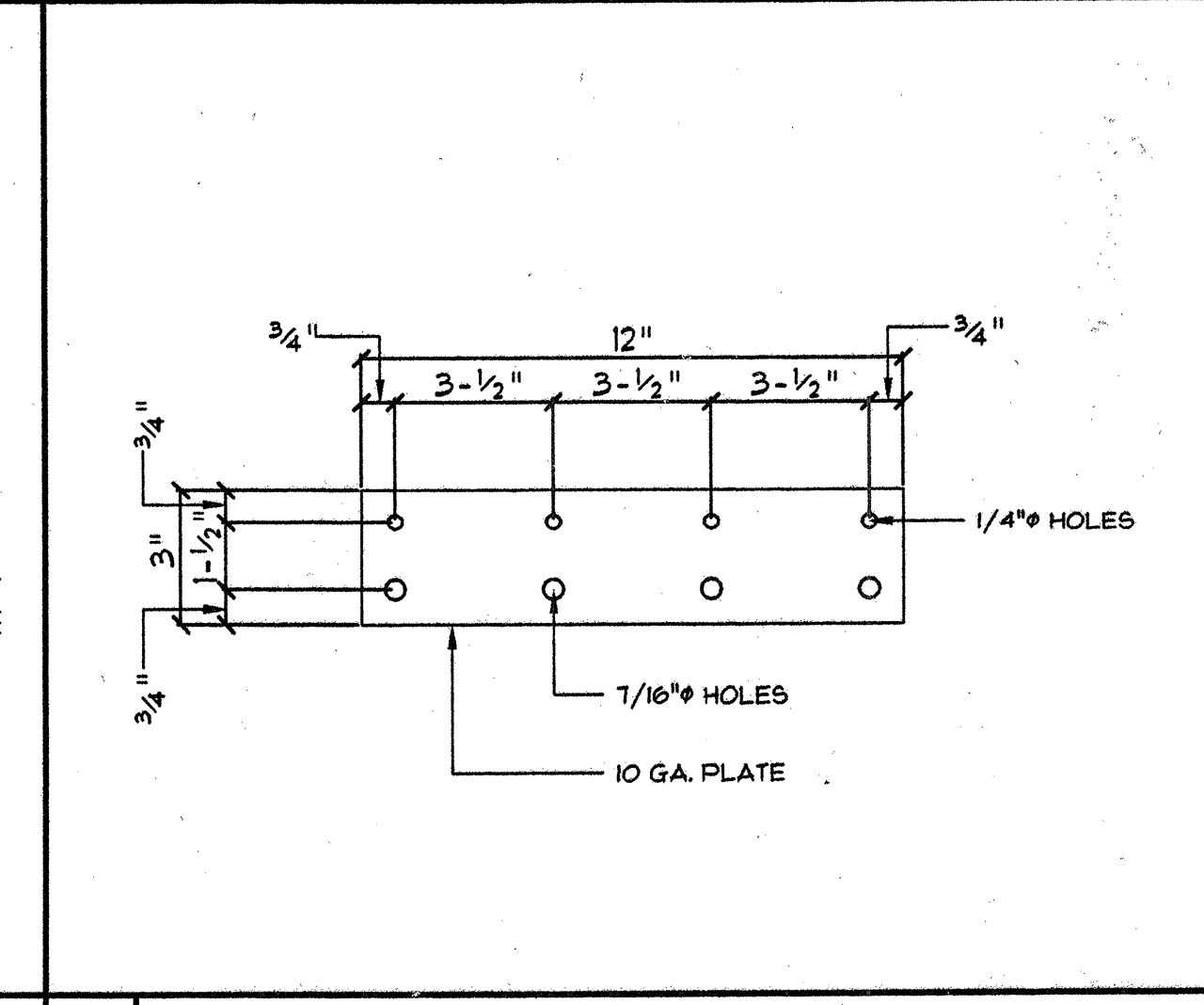
6. VENTILATION TO MEET REQUIREMENTS PER IR 16-1. PROVIDE MIN. 6.4 SQ. FT. OF VENT SPACE. (PROVIDE 2" MIN. CLR.)



WOOD NOTES



6 INTERNAILING OF WOOD PIERS SCALE: 1-1/2"=1'-0"



11 APPROVAL

DIVISION OF THE STATE ARCHITECT

001485  
104085  
DATE: 11/17/01

PC  
IDENTIFICATION STAMP  
DIVISION OF THE STATE ARCHITECT  
02-101236  
AC: PLS SS  
DATE: 11/17/01

DESIGN CRITERIA  
ROOF: DEAD LOAD - 8.0 PSF  
ROOF: LIVE LOAD - 20.0 PSF (SNOW)  
FLOOR: DEAD LOAD - 8.0 PSF  
FLOOR: LIVE LOAD - 50.0 PSF  
(OPTIONAL) FLOOR: LIVE LOAD - 70.0 PSF  
(OPTIONAL) FLOOR: LIVE LOAD - 120.0 PSF  
WALLS: DEAD LOAD - 8.0 PSF  
WIND: 80 MPH; EXPOSURE: C  
qs=16.4 PSF; Ce=1.06; Cq AS REQ.  
SEISMIC: ZONE 4, R=1.5, Ss=2.8As=1.5Cs=0.44Ns=2.0Cs=64N.

CONFIDENTIAL MATERIAL - THESE DOCUMENTS ARE THE PROPERTY OF AND ARE NOT TO BE REPRODUCED OR DISTRIBUTED WITHOUT FULL KNOWLEDGE AND WRITTEN CONSENT FROM ENVIROPLEX, INC. © COPYRIGHT 1999 ENVIROPLEX, INC. (ALL DRAWINGS PREPARED BY ENVIROPLEX, INC.)

JH Lawder, Inc. Structural Engineers  
717 6TH STREET STOCKTON, CA 95204  
(209) 921-1143 FAX (209) 921-1186

PROFESSIONAL ENGINEER  
JH LAWDER  
NO. 52310  
EXP. 3-31-01  
STATE OF CALIFORNIA

ENVIROPLEX, INC.  
4777 E. CARPENTER ROAD STOCKTON, CA. 95215

50 P.S.F. WOOD FOUNDATION PLAN FOOTING DETAILS - NOTES

REVISION DATE:	BY:

DATE: 11/17/01

THIS MODULAR BLDG. HAS BEEN ENGINEERED BY A REGISTERED STRUCTURAL ENGINEER & PREVIOUSLY REVIEWED & APPROVED BY THE DIVISION OF THE STATE ARCHITECT, FIRE & LIFE SAFETY AND ACCESS COMPLIANCE SECTION

SIW50