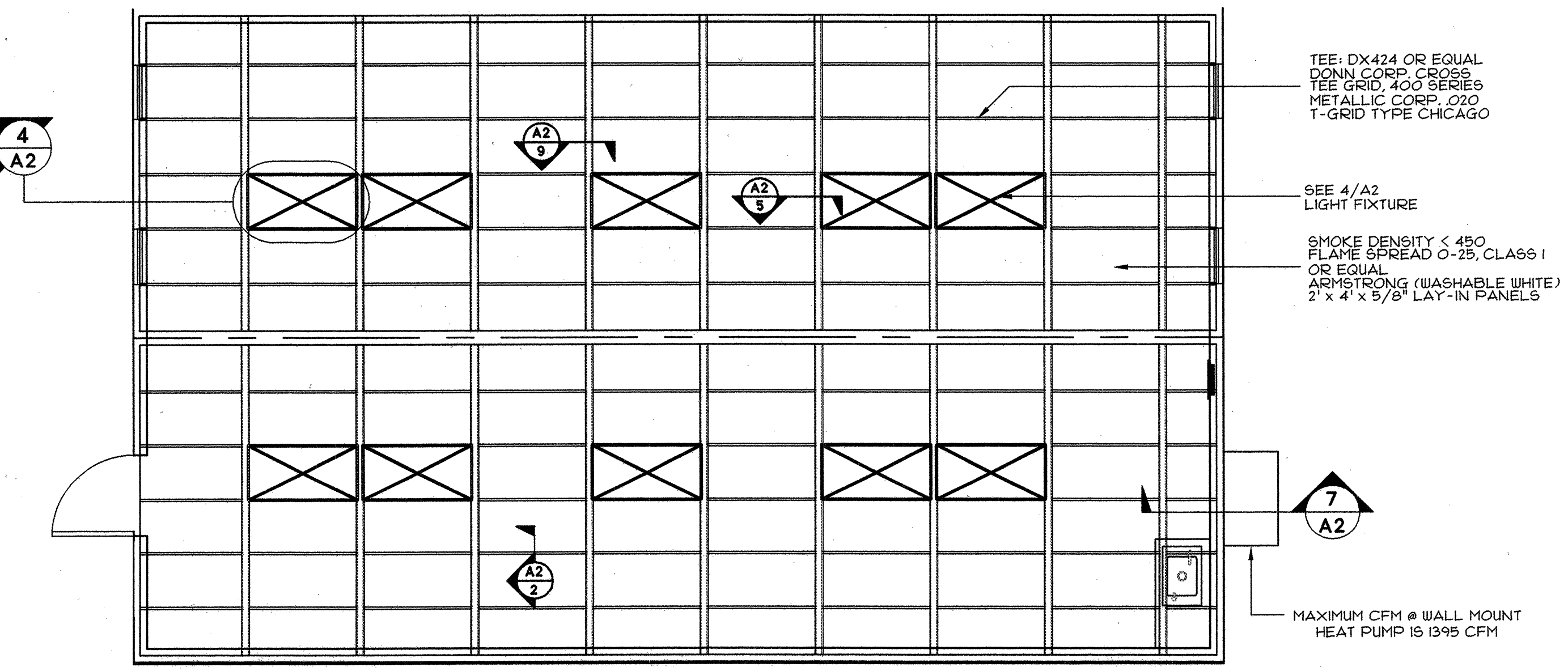


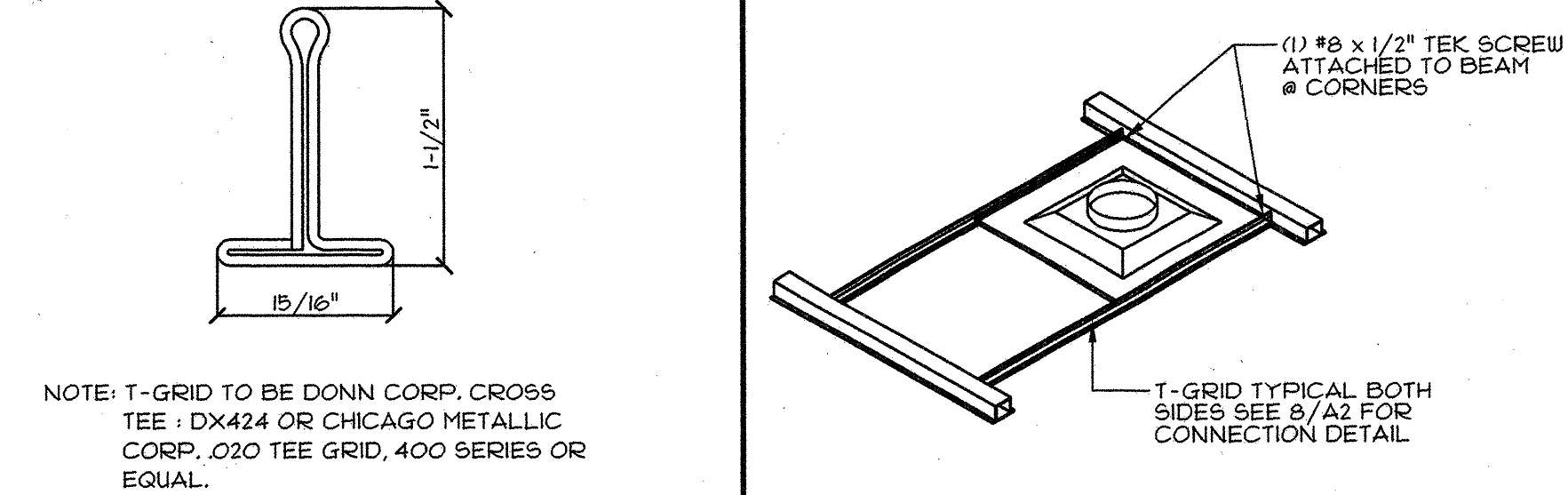
NOTE: CEILING TILE & LIGHTING SYSTEM IN THIS MODULE ARE NOT SUSPENDED. THE BUILDING HAS A FIXED CEILING AND LIGHTING FIXTURE SUPPORT SYSTEM WHICH IS MECHANICALLY FASTENED TO STEEL CEILING BEAMS.

24' x 40' MECHANICAL PLAN
SCALE: 1/4"=1'-0"

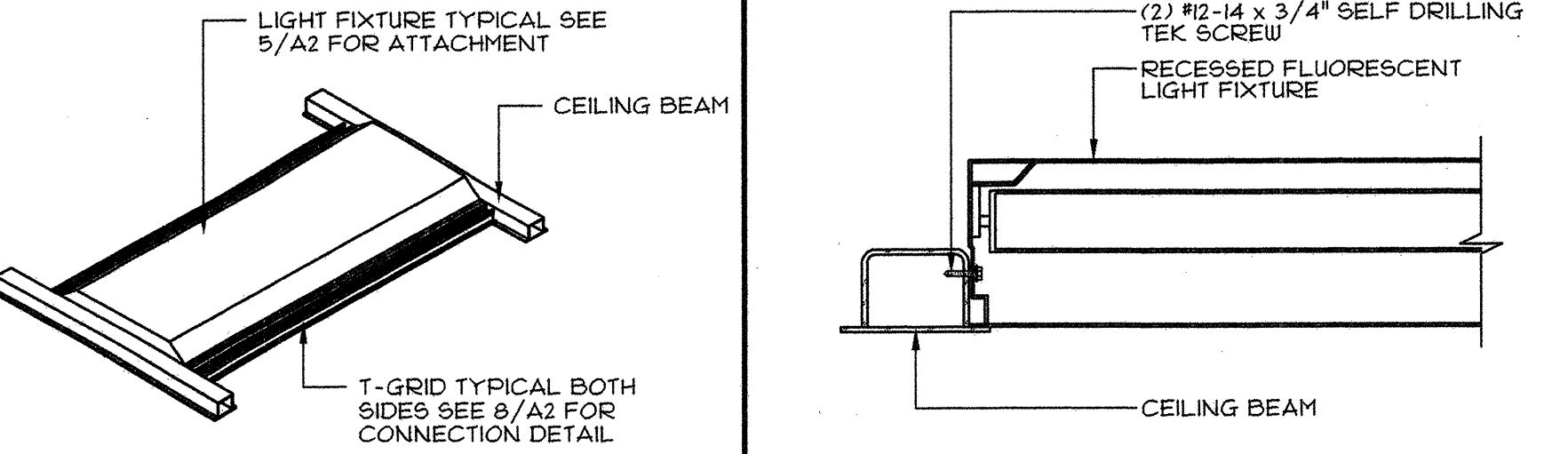


NOTE: MAXIMUM CFM @ WALL MOUNT HEAT PUMP IS 1395 CFM

24' x 40' REFLECTED CEILING PLAN
SCALE: 1/4"=1'-0"

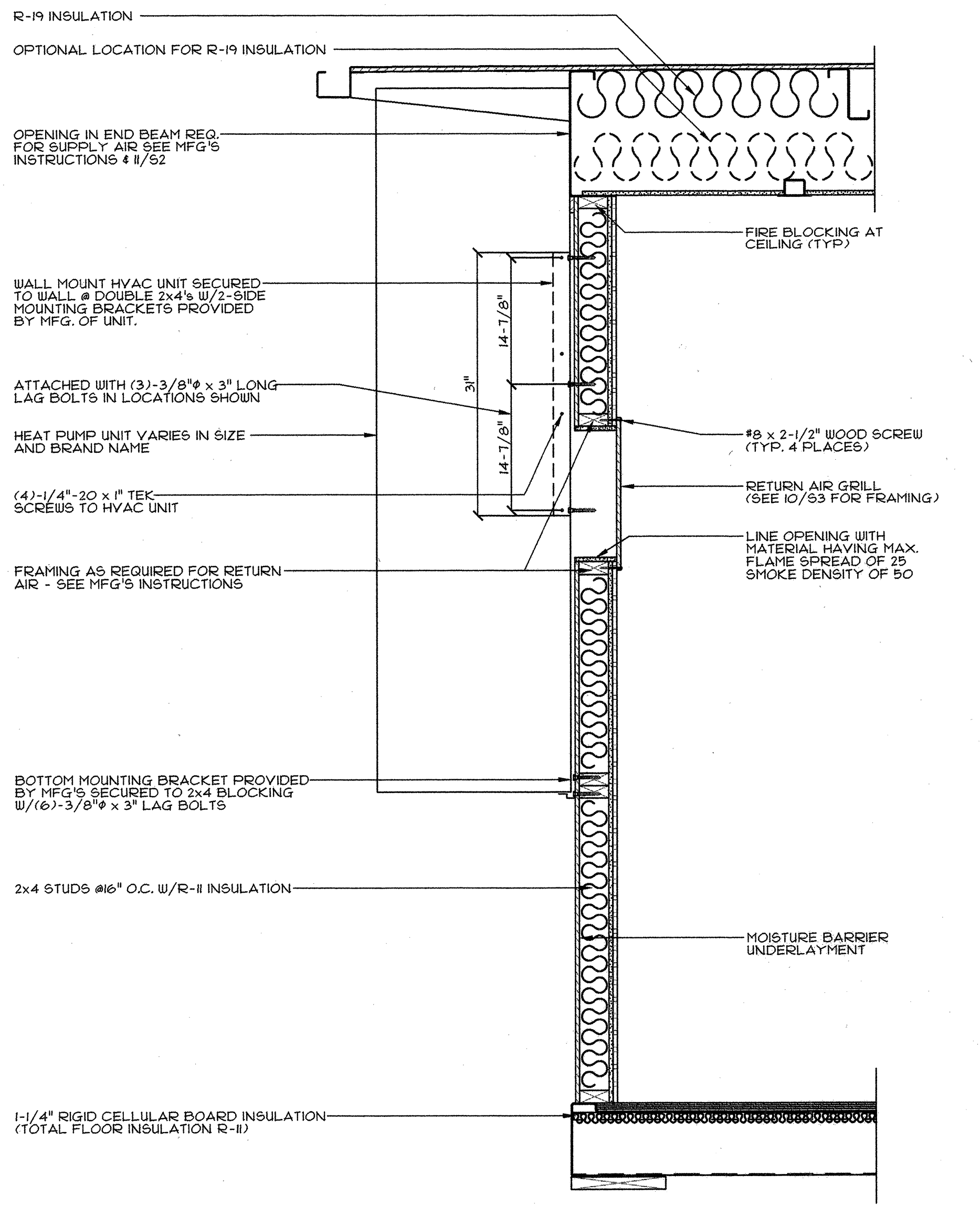


2 TYPICAL T-GRID
SCALE: FULL



3 SUPPLY AIR REGISTER
SCALE: 1/2"=1'-0"

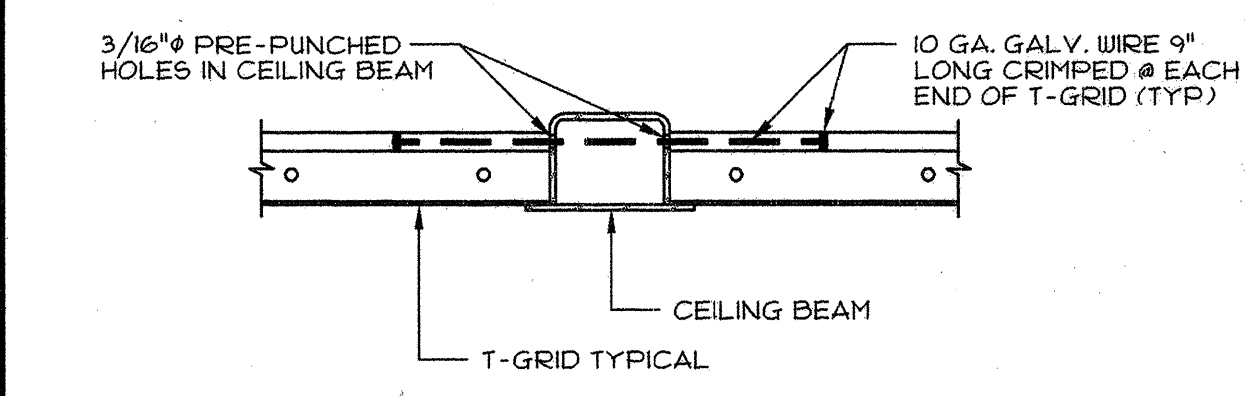
4 DROP-IN LIGHT FIXTURE SCALE: 1/2"=1'-0"
5 LIGHT FIXTURE SUPPORT SCALE: 3"=1'-0"



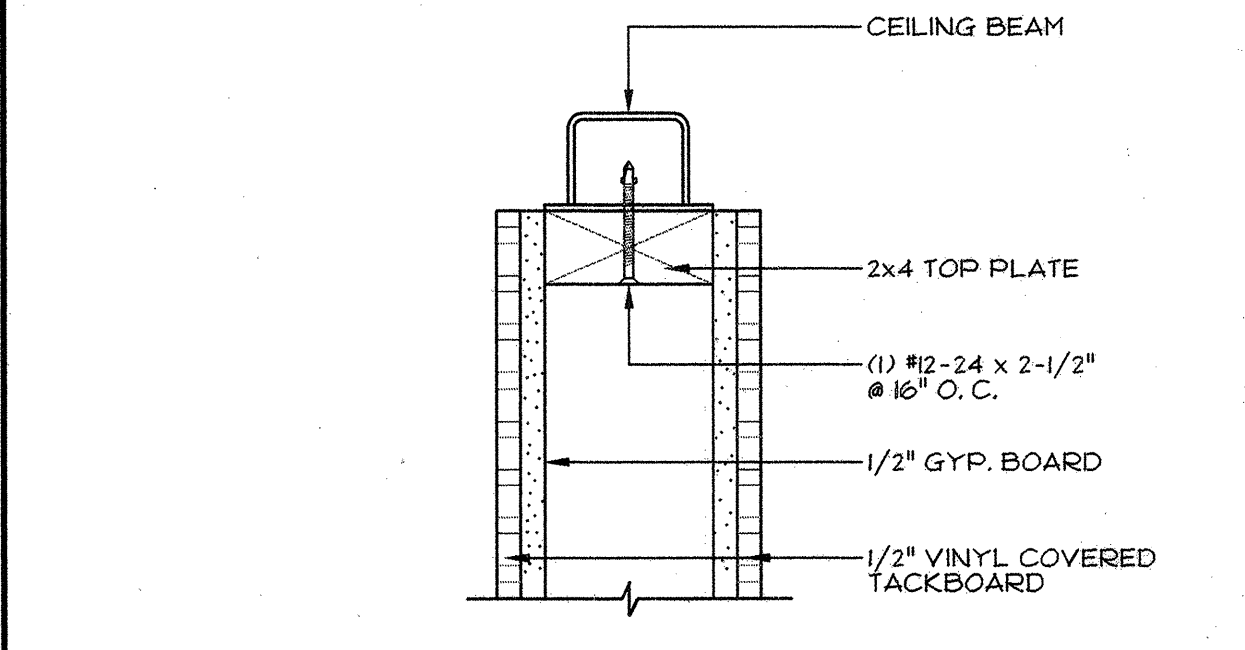
7 HVAC @ WALL SECTION
SCALE: 1"=1'-0"

1. HEAT PUMP
SINGLE PACKAGE WALL MOUNTED AIR TO AIR ELECTRIC HEAT PUMP UNIT SHALL BE RATED IN ACCORDANCE WITH ARI STANDARDS 240-T1 (U.L. LISTED). REFERENCE BRANDS: SUN HV42H-1-08-C (OR EQUAL), BARD WH421-AXXXXXB (OR EQUAL), INTERTHERM PH17B-042KB10 (OR EQUAL).
WIRING AND MNTG. INSTALLATION OF UNIT PER MANUFACTURER'S INSTRUCTIONS.
A) TWO SPEED INDOOR BLOWER MOTOR TO REDUCE INDOOR NOISE LEVEL.
B) RECIRCUIT 8 KW HEAT STRIP (HEATER CAN BE SERVICED ELECTRICALLY BY 60 AMP BREAKER, COMPRESSOR BY 90 AMP BREAKER.) MAXIMUM TOTAL AMPS: 68 @ MIN. 240 VOLTS. MINIMUM CIRCUIT CAPACITY: HEATER 50 AMPS, COMPRESSOR 33.3 AMPS.
C) LOW TEMPERATURE OUTDOOR THERMOSTAT TO ASSIST CIRCUITING DURING THE HEATING MODE.
D) COOLING: 39,406 BTU HR (95°F) HEATING 43,000 BTU HR (47°F)
E) WEIGHT: 510# MAX
AIR FILTERS:
AN APPROVED TYPE TESTED IN ACCORDANCE WITH TEST METHODS SFM-12-T1-AS SHOWN IN PART 12, TITLE 24, CALIFORNIA CODE OF REGULATIONS. PREFORMED FILTERS HAVING COMBUSTIBLE FRAMING SHALL BE TESTED AS A COMPLETE ASSEMBLY. AIR FILTERS IN ALL OCCUPANCIES SHALL BE CLASS 2 OR BETTER, AS DEFINED IN THE TEST METHOD ABOVE. AIR FILTERS SHALL BE ACCESSIBLE FOR CLEANING OR REPLACEMENT.
2. CONTROLS:
THERMOSTAT: WHITE-ROGERS IF92 DIGITAL (TAMPER PROOF). MAX +60" FROM FLOOR (+48" MAX IF NON-SEALED TYPE).
3. DUCTS: MAY BE CLASS 1" OR 10" FACTORY MADE AIR DUCTS SHALL BE APPROVED FOR THE USE INTENDED OR SHALL CONFORM TO THE REQUIREMENTS OF UMC STANDARDS NO. 6-1. EACH PORTION OF A FACTORY MADE AIR DUCT SYSTEM SHALL BE IDENTIFIED BY THE MANUFACTURER WITH A LABEL OR OTHER SUITABLE IDENTIFICATION INDICATING COMPLIANCE W/UMC STANDARD NO. 6-1 AND ITS CLASS DESIGNATION. THESE DUCTS SHALL BE INSTALLED IN ACCORDANCE WITH THE TERMS OF THEIR LISTING. INSULATION APPLIED TO THE EXTERIOR SURFACE OF DUCTS LOCATED IN BUILDING SHALL HAVE A FLAME SPREAD RATING OF NOT MORE THAN 25 AND A SMOKE-DEVELOPED RATING OF NOT MORE THAN 50 WHEN TESTED AS A COMPOSITE INSTALLATION INCLUDING INSULATION, FACING MATERIALS, TAPES AND ADHESIVE AS NORMALLY APPLIED. MATERIAL EXPOSED WITHIN DUCTS OR PLENUMS SHALL HAVE A FLAME SPREAD RATING OF NOT MORE THAN 25 AND A SMOKE DEVELOPED RATING OF NOT MORE THAN 50

8 H.V.A.C. SPECIFICATIONS



9 T-GRID CONNECTION DETAIL
SCALE: 3"=1'-0"



10 WALL ATTACHMENT DETAIL
SCALE: 3"=1'-0"

DIVISION OF THE STATE ARCHITECT OFFICE OF REGULATION SERVICES
IDENTIFICATION STAMP
DIVISION OF THE STATE ARCHITECT
APPROVAL 104083
DATE: FLS SS
BASED ON PC-02-101236
DESIGN CRITERIA
ROOF: DEAD LOAD - 8.0 PSF
ROOF: LIVE LOAD - 20.0 PSF (SNOW)
FLOOR: DEAD LOAD - 8.0 PSF
FLOOR: LIVE LOAD - 50.0 PSF
(OPTIONAL) FLOOR: LIVE LOAD - 70.0 PSF
(OPTIONAL) FLOOR: LIVE LOAD - 125.0 PSF
WALLS: DEAD LOAD - 8.0 PSF
WIND: 80 MPH; EXPOSURE: C
qs=16.4 PSF; Ce=1.06; Cq AS REQ.
SDSMC: ZONE 4R+4.5Rq=2.8Nq=15.0q=0.44Nq,N=2.0,Cq=64N,
CONFIDENTIAL MATERIAL - THESE DOCUMENTS ARE THE PROPERTY OF AND ARE NOT TO BE REPRODUCED OR DISTRIBUTED WITHOUT FULL KNOWLEDGE AND WRITTEN CONSENT FROM ENVIROPLEX, INC.
© COPYRIGHT 2001 ENVIROPLEX, INC. (DRAWINGS PREPARED BY ENVIROPLEX, INC.)

11 APPROVALS

JH Lawder, Inc.
Structural Engineers
717 18th Street, Modesto, CA 95354
(209) 521-1143 FAX (209) 521-1186

ENVIROPLEX, INC.
4777 E. CARPENTER ROAD STOCKTON, CA. 95215
SAN MATEO COMMUNITY COLLEGE
(1) 24'x40' & (1) 36'x40' CLASSROOMS

MECHANICAL & REFLECTED CEILING PLANS - HVAC @ WALL SECTION DETAILS - HVAC SPECIFICATIONS

REVISION DATE: BY:

DATE:

THIS MODULAR BLDG. HAS BEEN ENGINEERED BY A REGISTERED STRUCTURAL ENGINEER AND PREVIOUSLY REVIEWED & APPROVED BY THE DIVISION OF THE STATE ARCHITECT, FIRE & LIFE SAFETY AND ACCESS COMPLIANCE SECTION