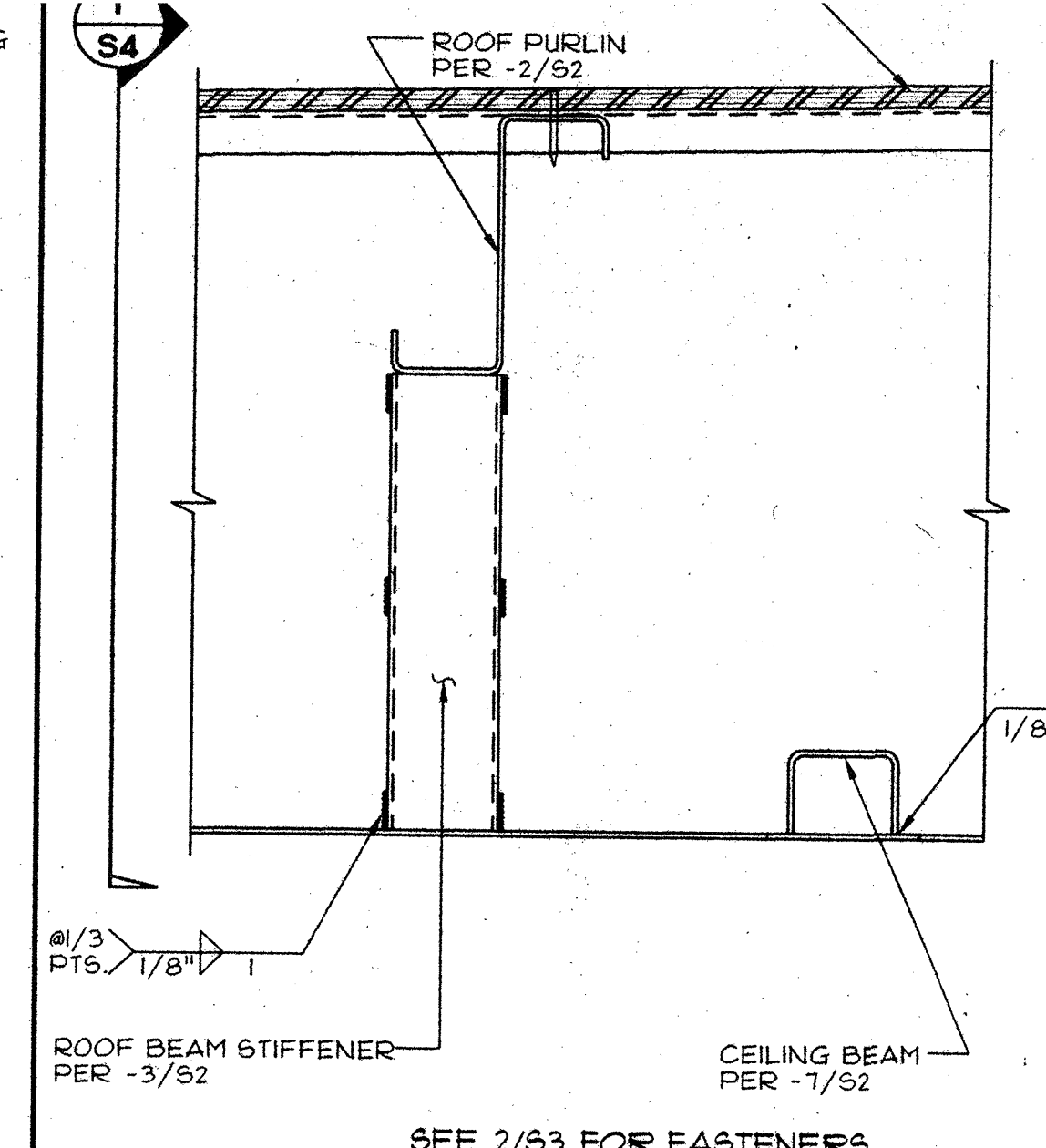
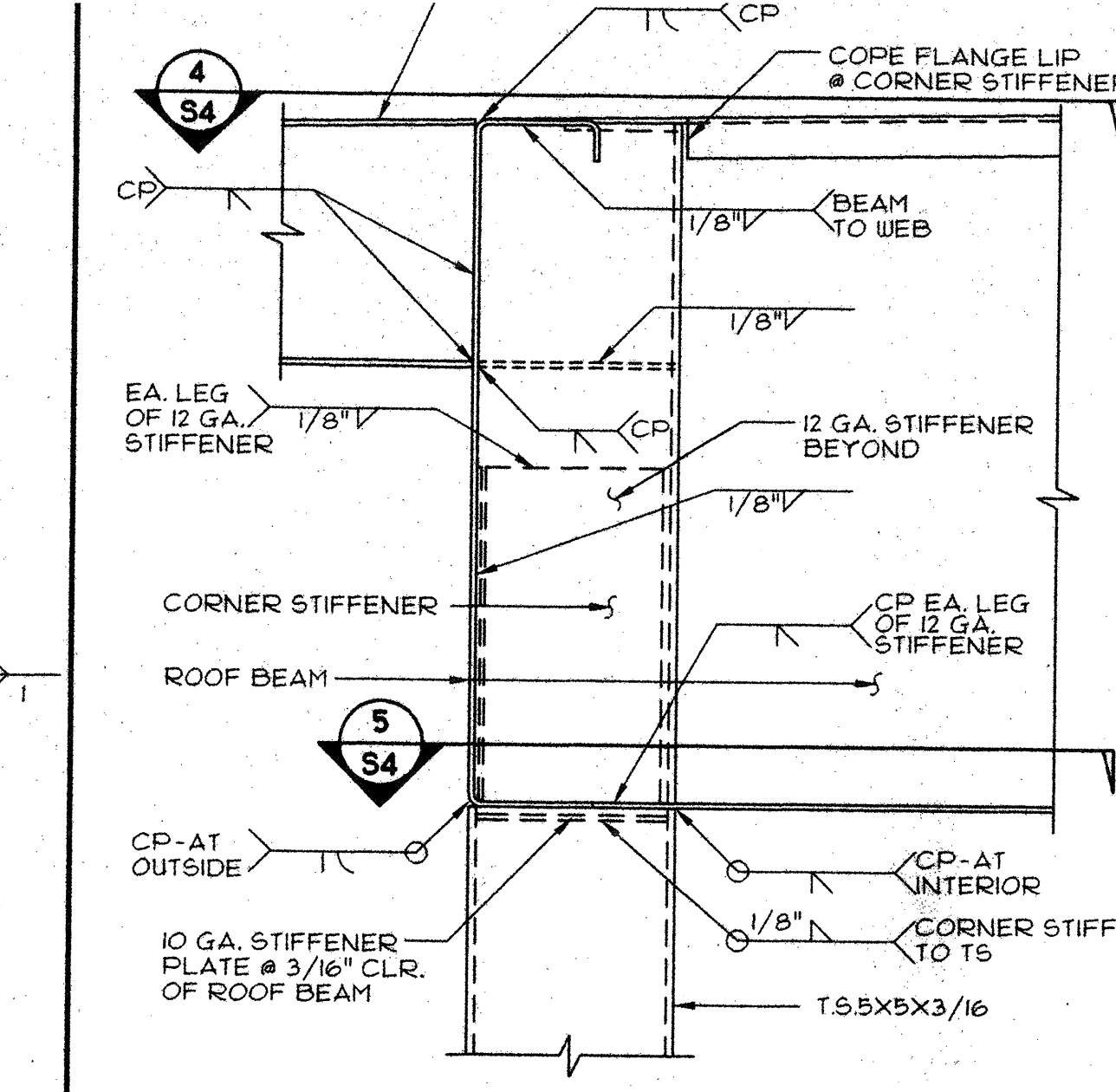


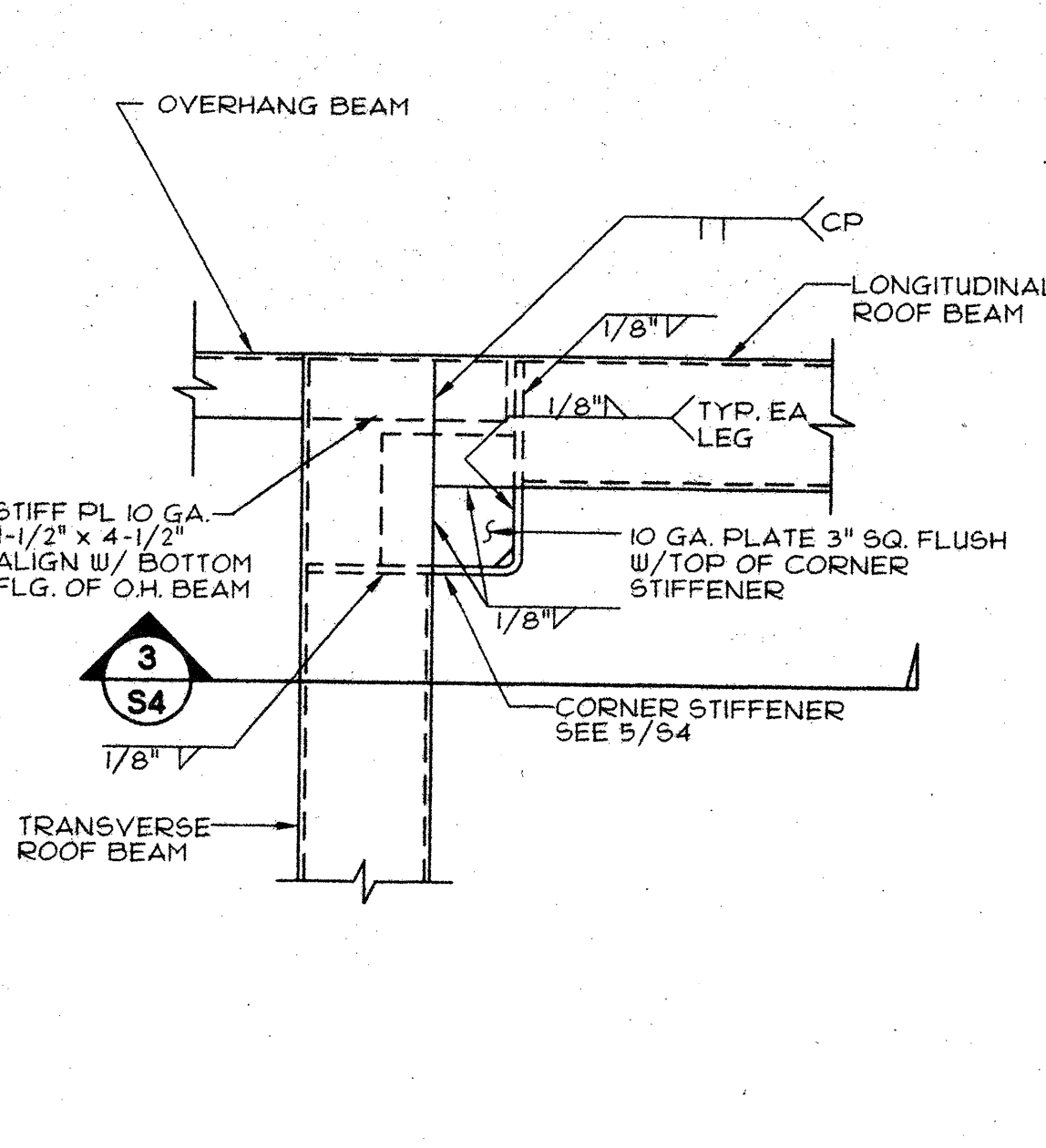
1 ROOF BEAM SECTION @ PURLIN
SCALE: 3/8"=1'-0"



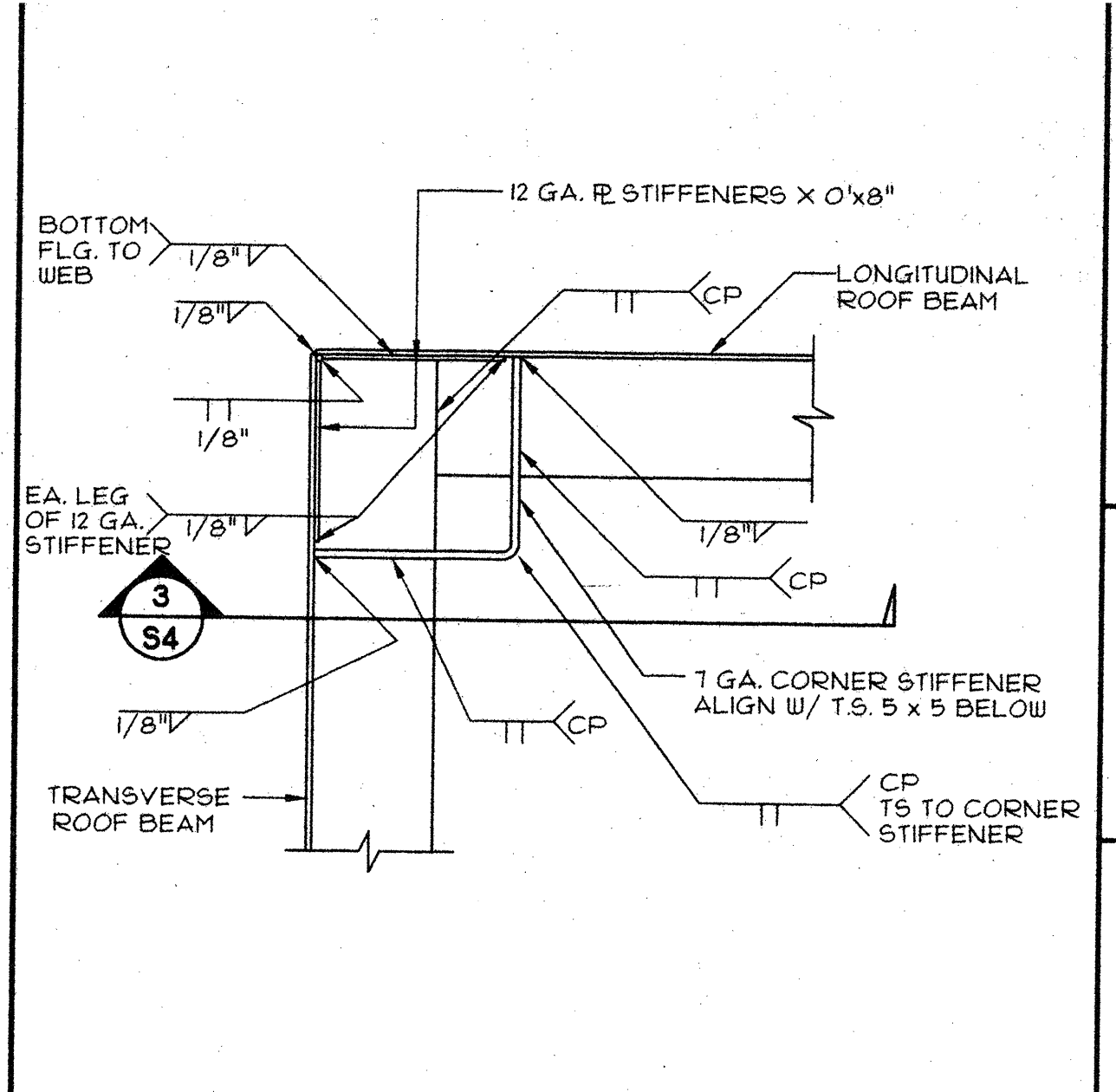
2 PURLIN TO STIFFENER AT BEAM
SCALE: 3/8"=1'-0"



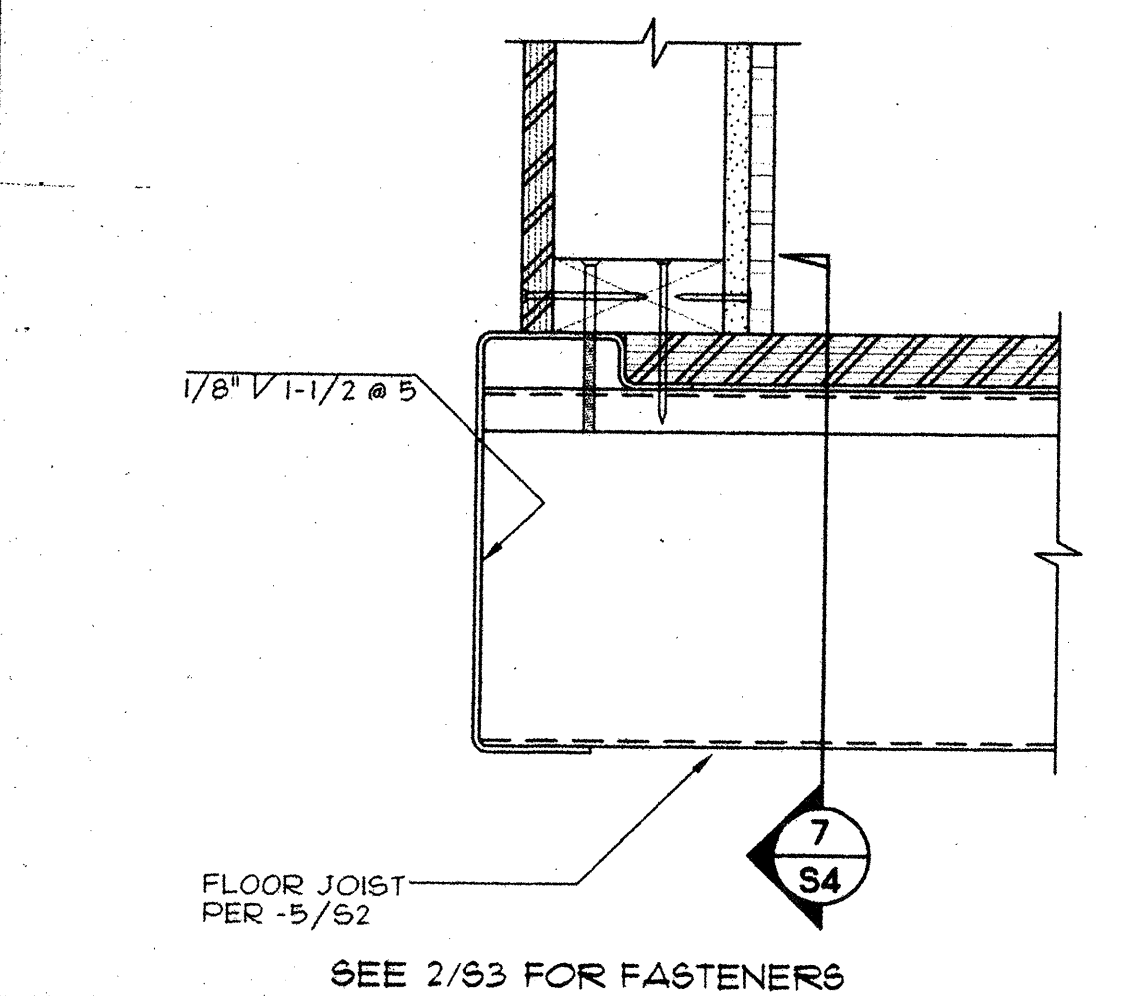
3 ROOF BEAM SECTION @ CORNER
SCALE: 3/8"=1'-0"



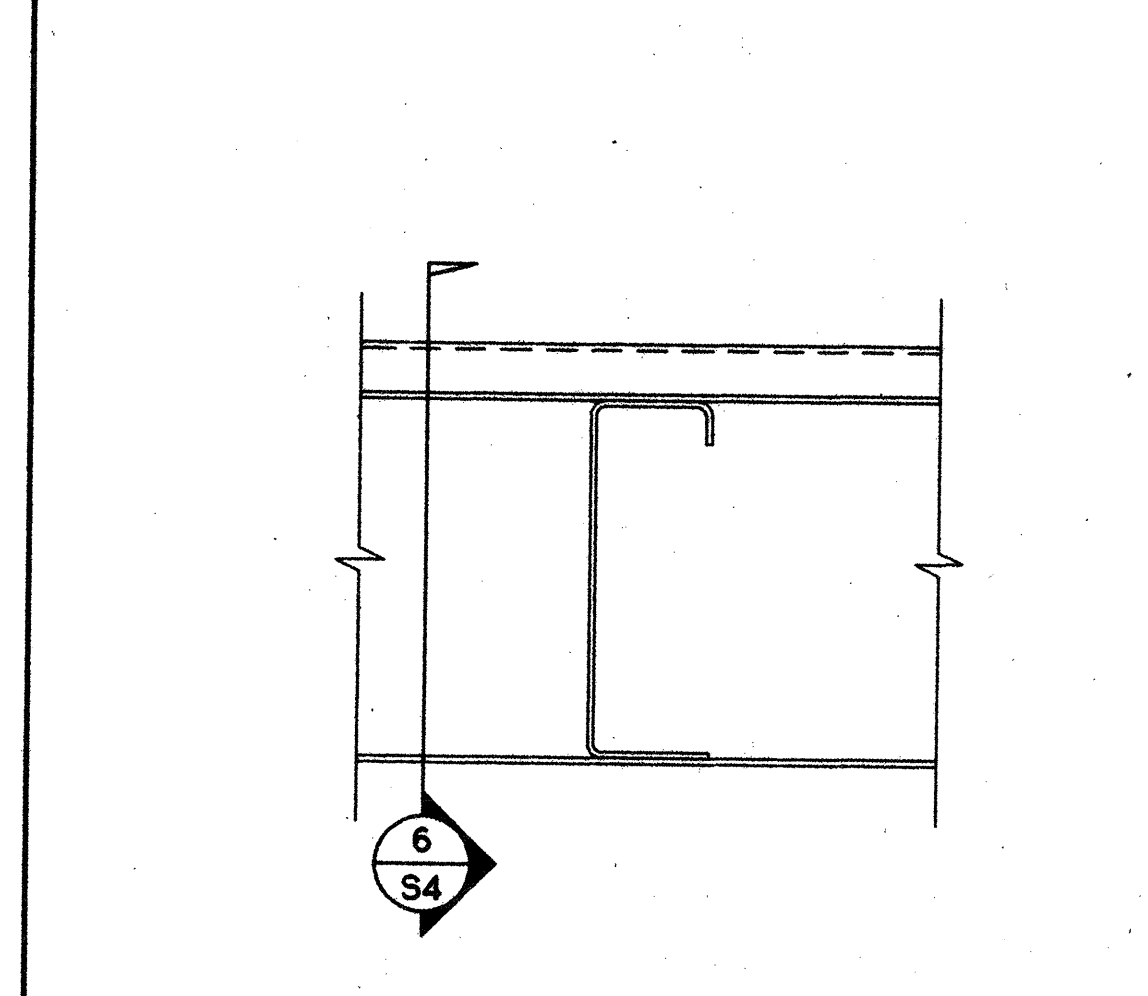
4 ROOF BEAM TOP FLANGE
SCALE: 3/8"=1'-0"



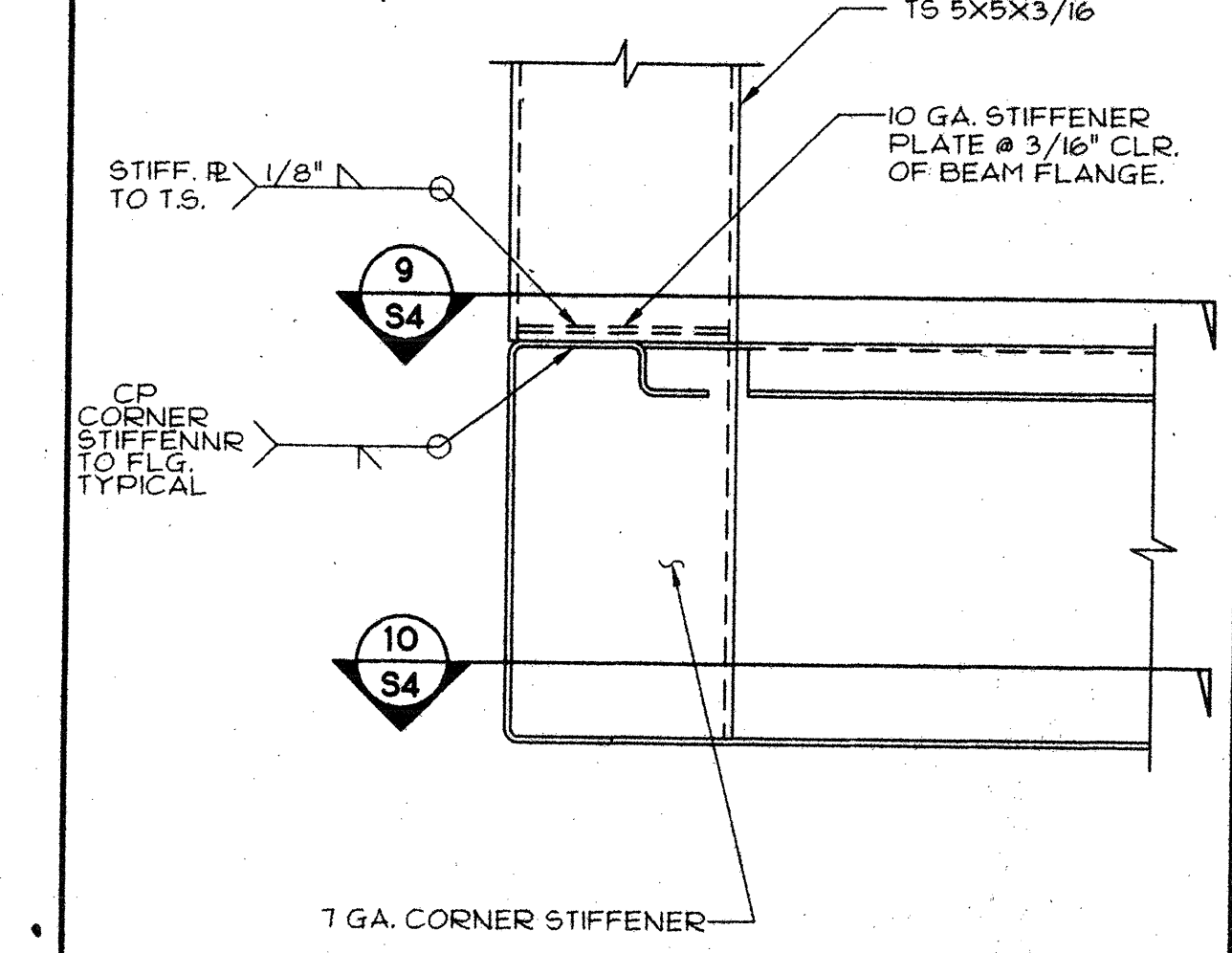
5 ROOF BEAM BOTTOM FLANGE
SCALE: 3/8"=1'-0"



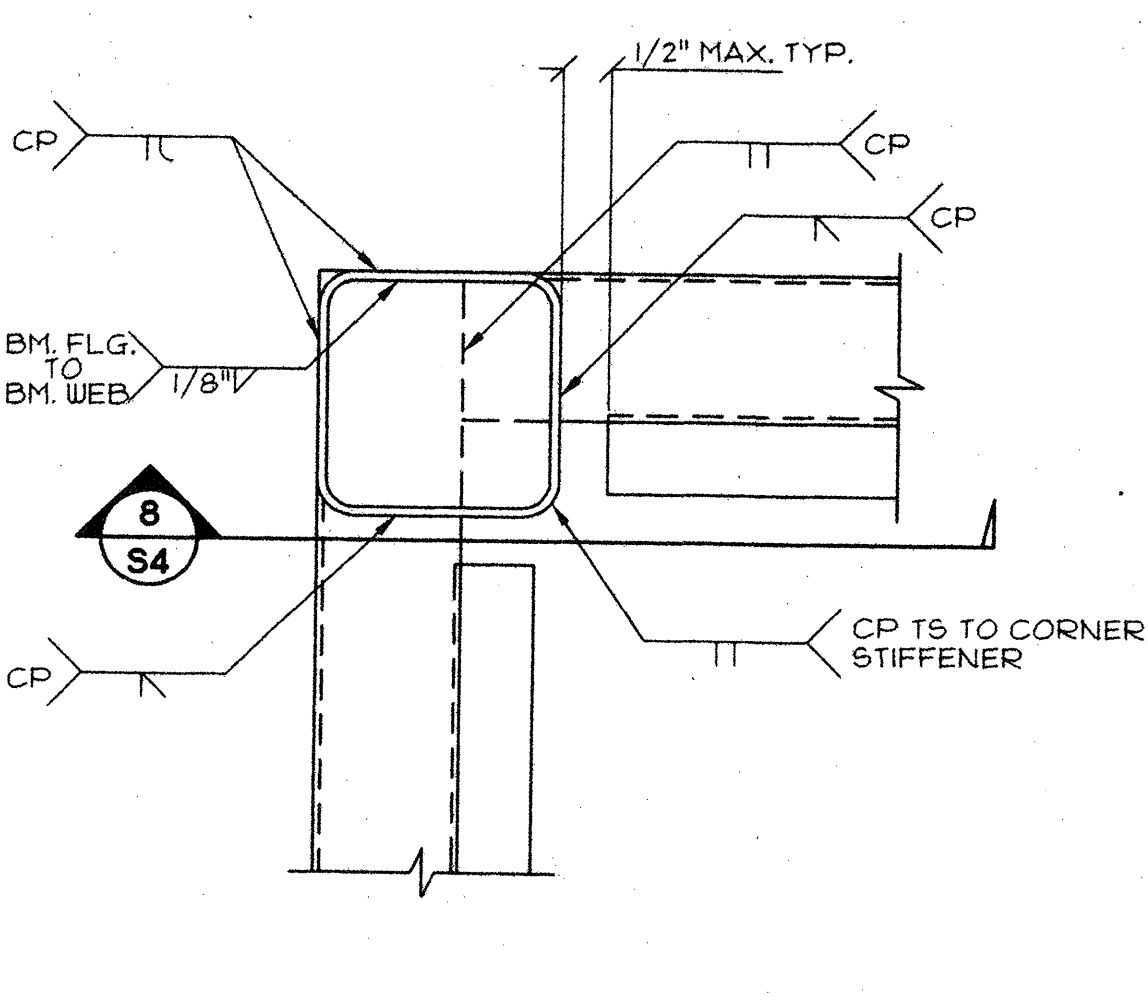
6 FLOOR BEAM-JOIST CONNECTION
SCALE: 3/8"=1'-0"



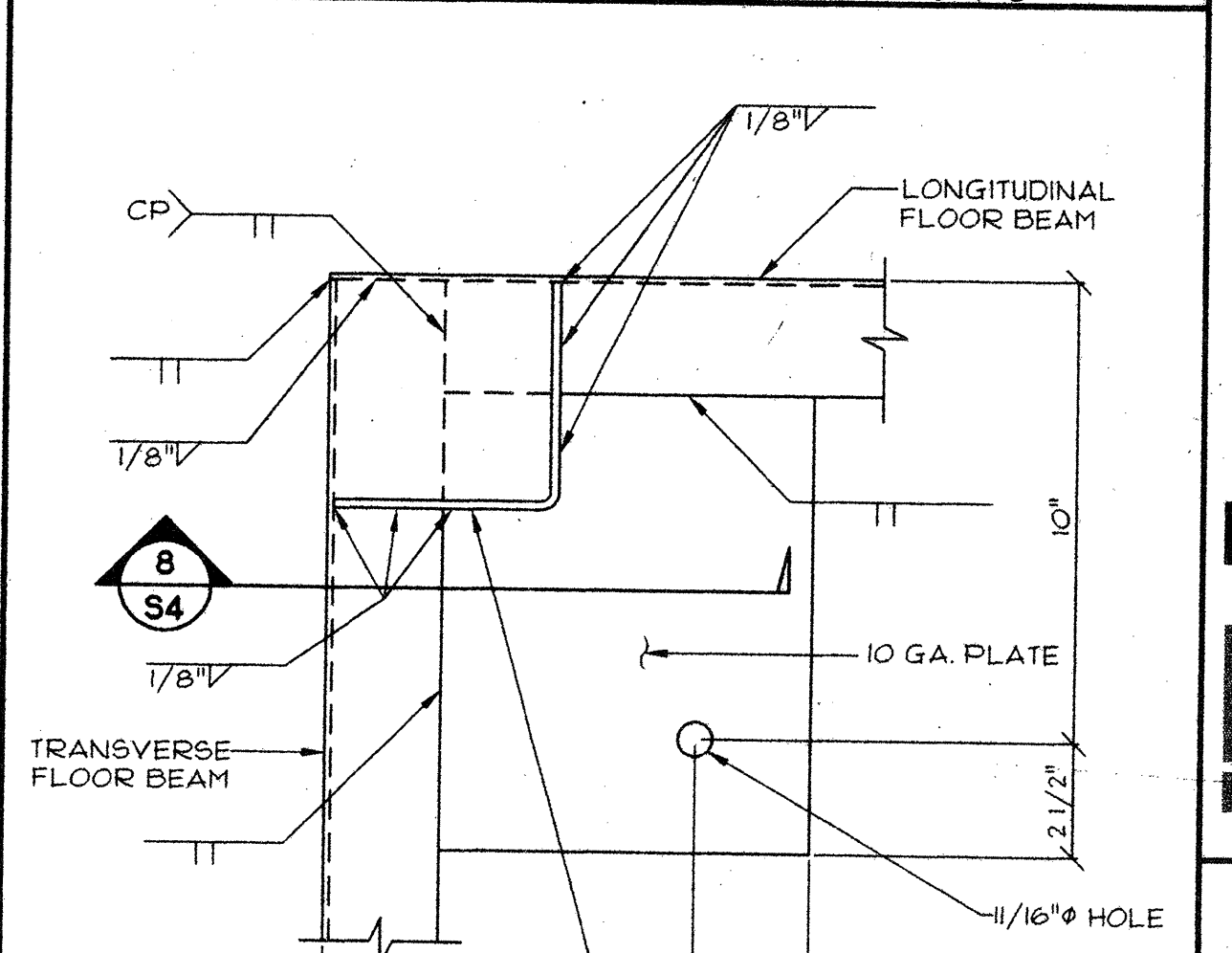
7 JOIST TO BEAM CONNECTION
SCALE: 3/8"=1'-0"



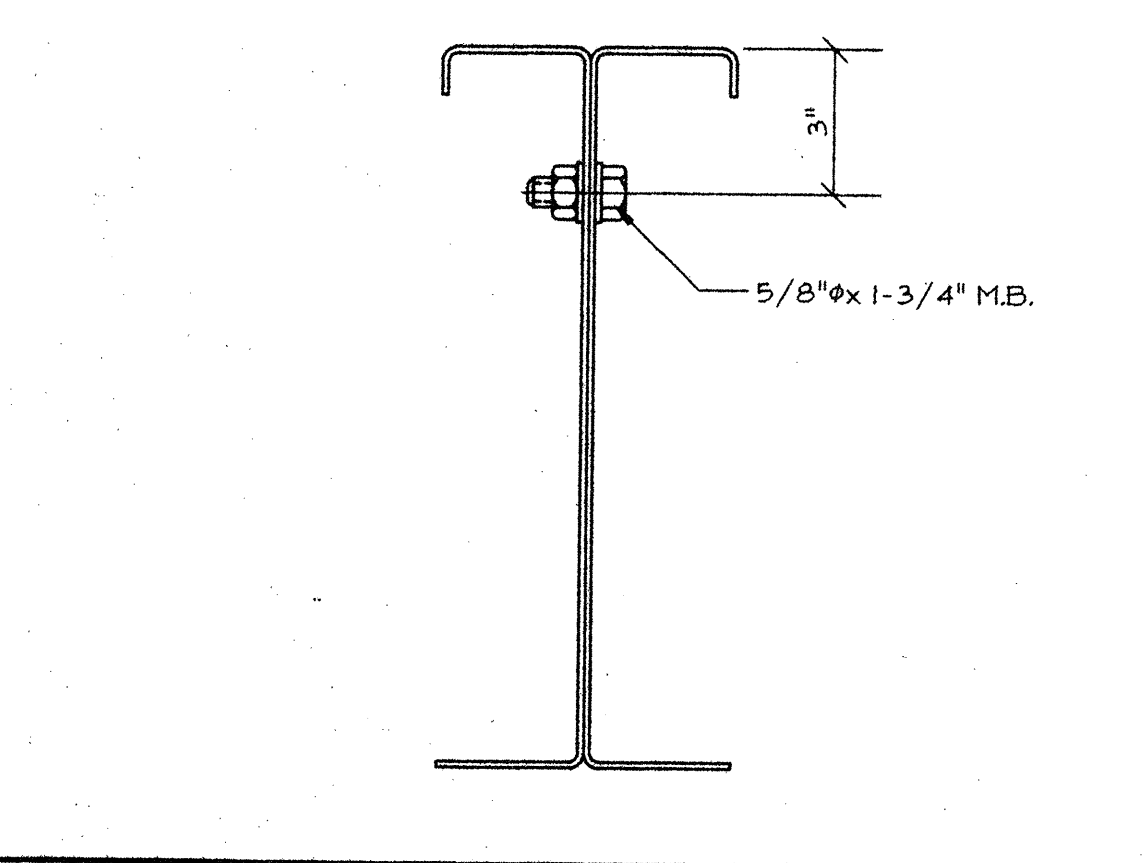
8 FLOOR BEAM SECTION @ CORNER
SCALE: 3/8"=1'-0"



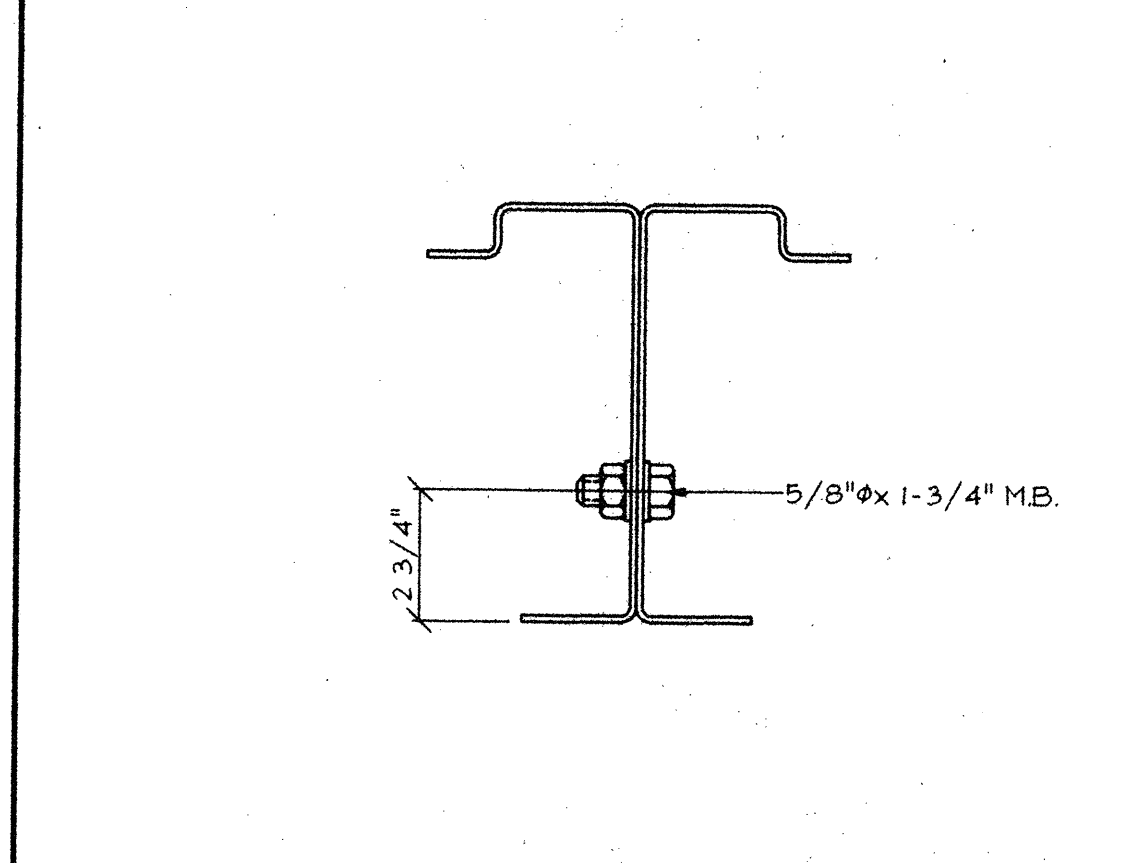
9 FLOOR BEAM TOP FLANGE
SCALE: 3/8"=1'-0"



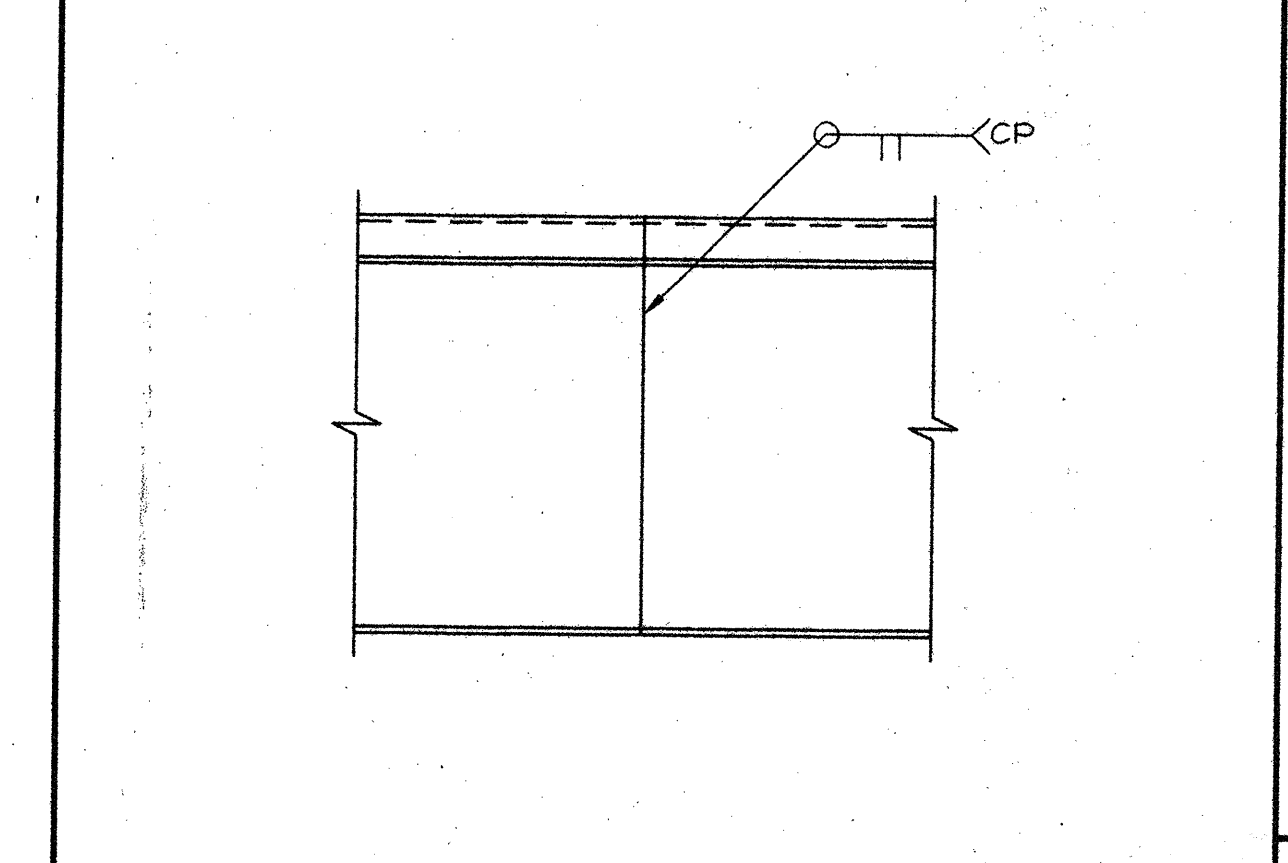
10 FLOOR BEAM BOTTOM FLANGE
SCALE: 3/8"=1'-0"



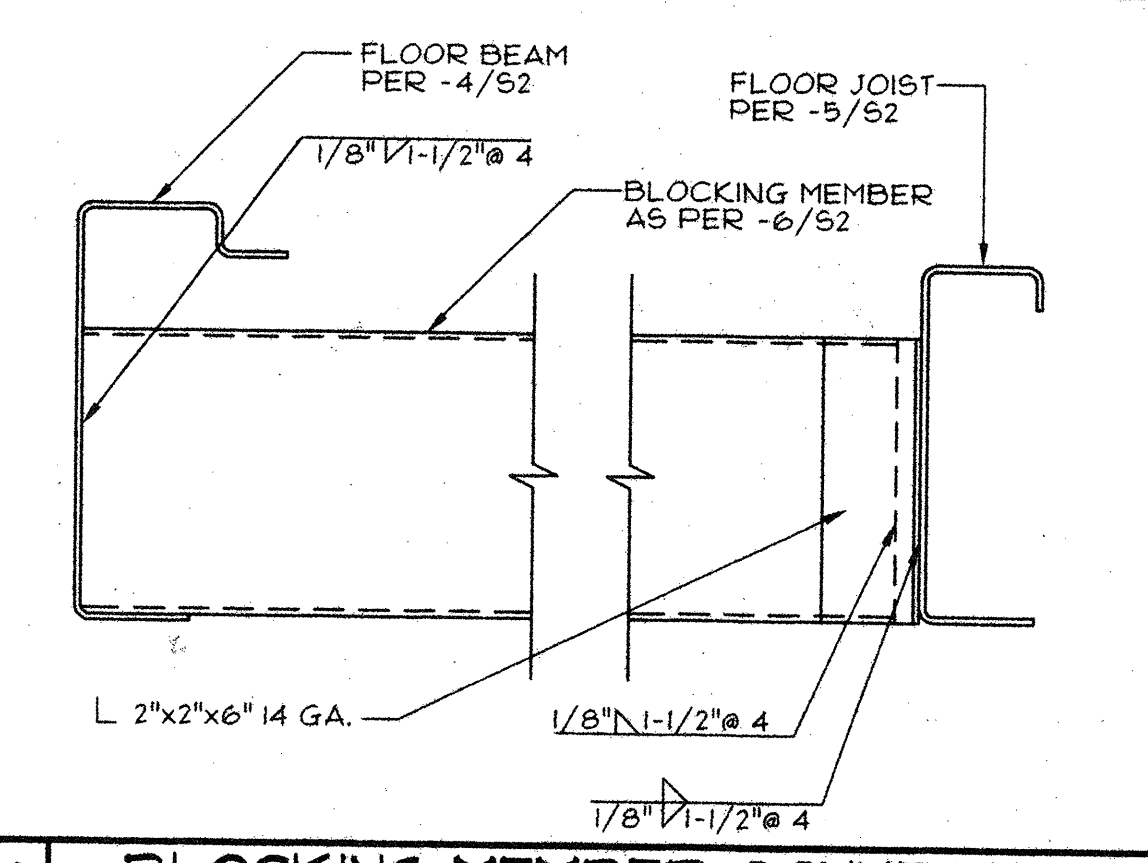
11 ROOF BEAM CONNECTION @ MOD LINE
SCALE: 3/8"=1'-0"



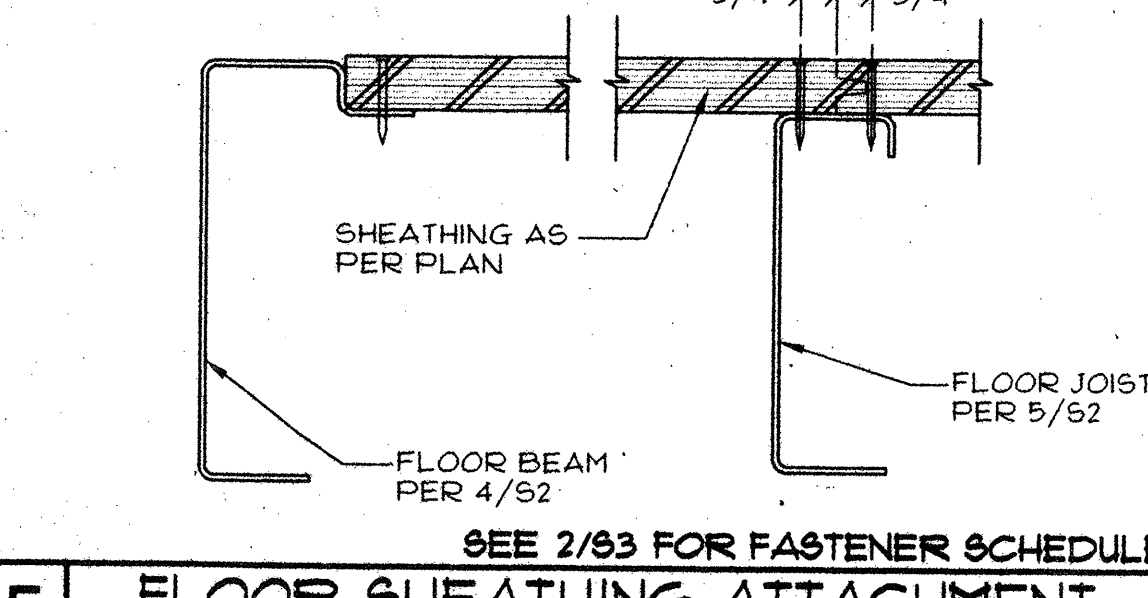
12 FLR BEAM CONNECTION @ MOD LINE
SCALE: 3/8"=1'-0"



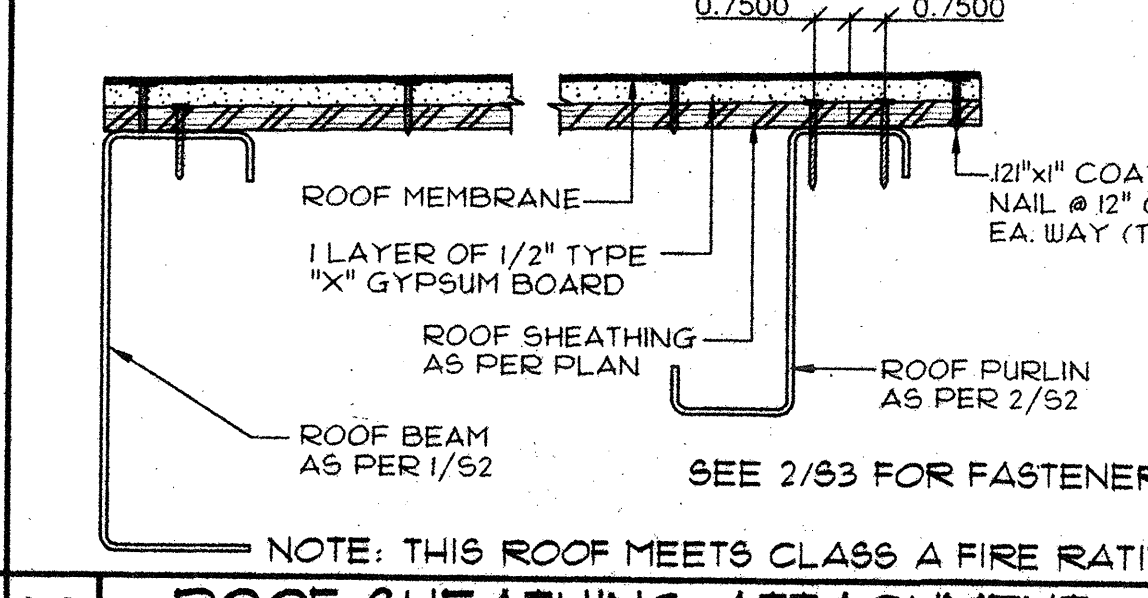
13 BEAM SPLICE DETAIL
SCALE: 3/8"=1'-0"



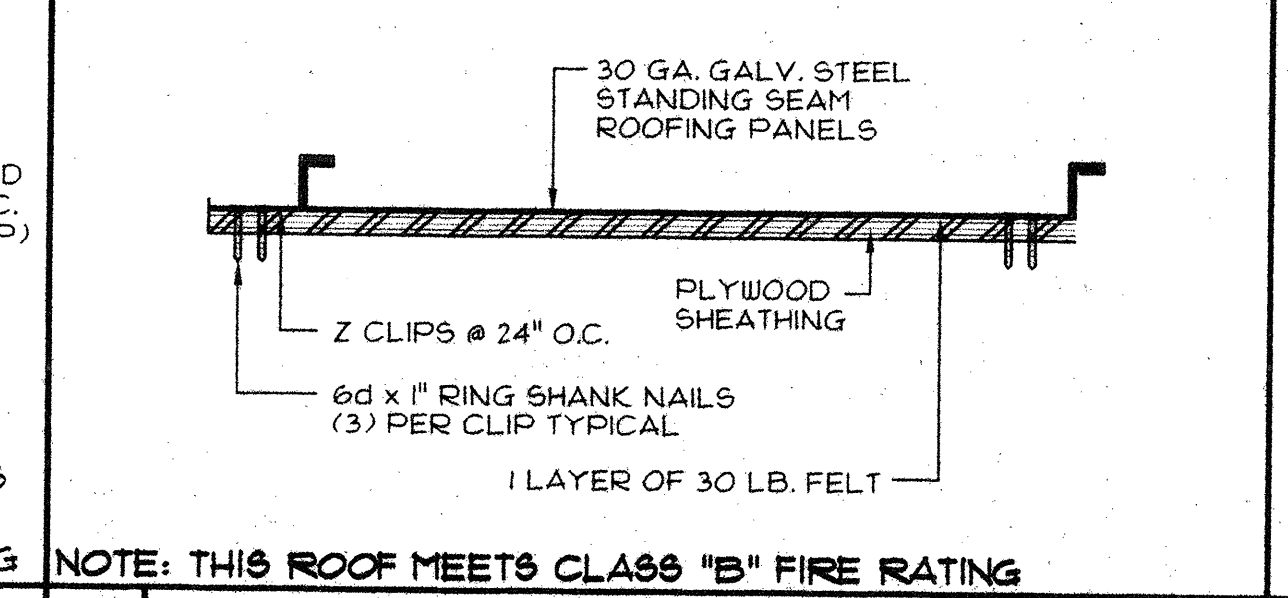
14 BLOCKING MEMBER CONNECTION
SCALE: 3/8"=1'-0"



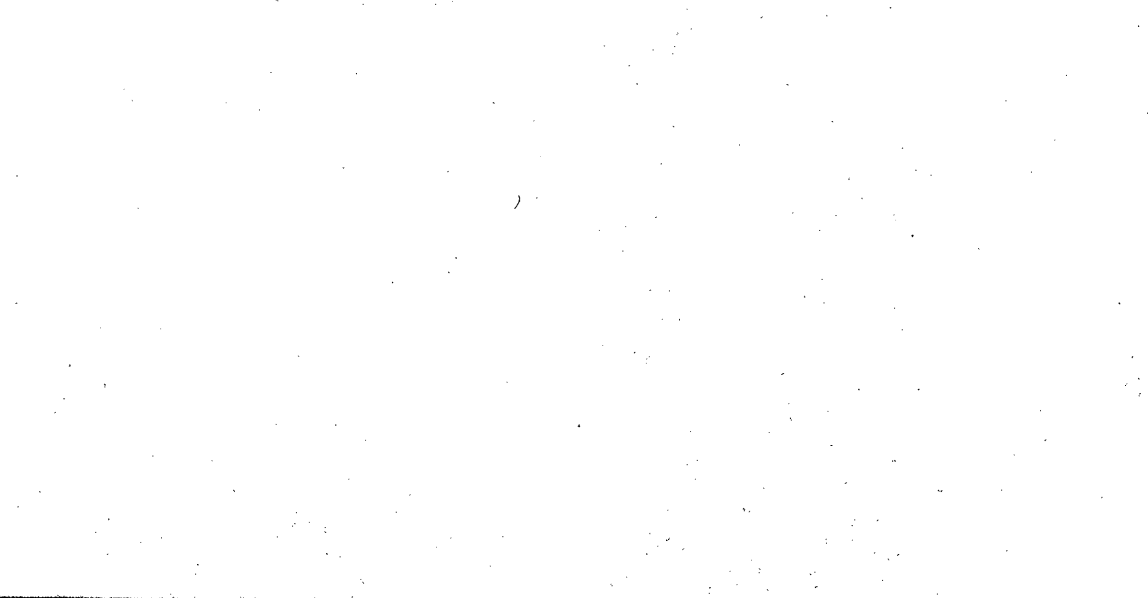
15 FLOOR SHEATHING ATTACHMENT
SCALE: 3/8"=1'-0"



16 ROOF SHEATHING ATTACHMENT
SCALE: 3/8"=1'-0"



17 METAL ROOF SYSTEM
SCALE: 3/8"=1'-0"



18 APPROVALS
SCALE: 3/8"=1'-0"

10 FLOOR BEAM BOTTOM FLANGE
SCALE: 3/8"=1'-0"

DIVISION OF THE STATE ARCHITECT OFFICE OF REGULATION SERVICES

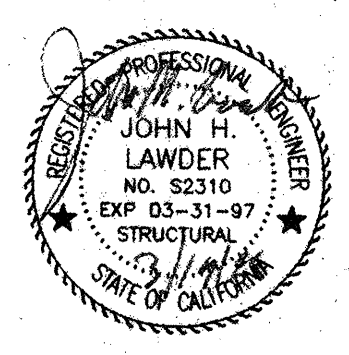
APPROVAL STAMP: PAUL J. JAMNICH, LICENSED PROFESSIONAL ARCHITECT, STATE OF CALIFORNIA, C-5310, 10.01.17

DESIGN CRITERIA:

- ROOF: DEAD LOAD - 8.0 PSF
- ROOF: LIVE LOAD - 20.0 PSF (SNOW)
- FLOOR: DEAD LOAD - 8.0 PSF
- FLOOR: LIVE LOAD - 50.0 PSF
- WALLS: DEAD LOAD - 8.0 PSF
- WIND: 80 MPH; EXP. C - 26.5 PSF (PER DSA IR 23-16)
- SEISMIC: ZONE 4, R_w=6, C=2.75

CONFIDENTIAL MATERIAL - THESE DOCUMENTS ARE THE PROPERTY OF AND ARE NOT TO BE REPRODUCED OR DISTRIBUTED WITHOUT FULL KNOWLEDGE AND WRITTEN CONSENT FROM ENVIROPLEX, INC. © COPYRIGHT 1995 ENVIROPLEX, INC. (DRAWINGS PREPARED BY ENVIROPLEX, INC.)

JH Lawder, Inc.
Structural Engineers
621 14th STREET
MORISTON, CA 95334
(909) 521-1143
(909) 521-1186



ENVIROPLEX, INC.
4777 E. CARPENTER ROAD STOCKTON, CA 95215
36'x40' RELOCATABLE CLASSROOM FOR
SKYLINE COLLEGE CHILD DEVELOPMENT CENTER

CONNECTION DETAILS

REVISION DATE:	BY:
DATE:	
THIS MODULAR BLDG. HAS BEEN ENGINEERED BY A REGISTERED STRUCTURAL ENGINEER AND PREVIOUSLY REVIEWED & APPROVED BY THE DIVISION OF THE STATE ARCHITECT, FIRE & LIFE SAFETY AND ACCESS COMPLIANCE SECTION	
DSA APPLICATION NO.	
S4	