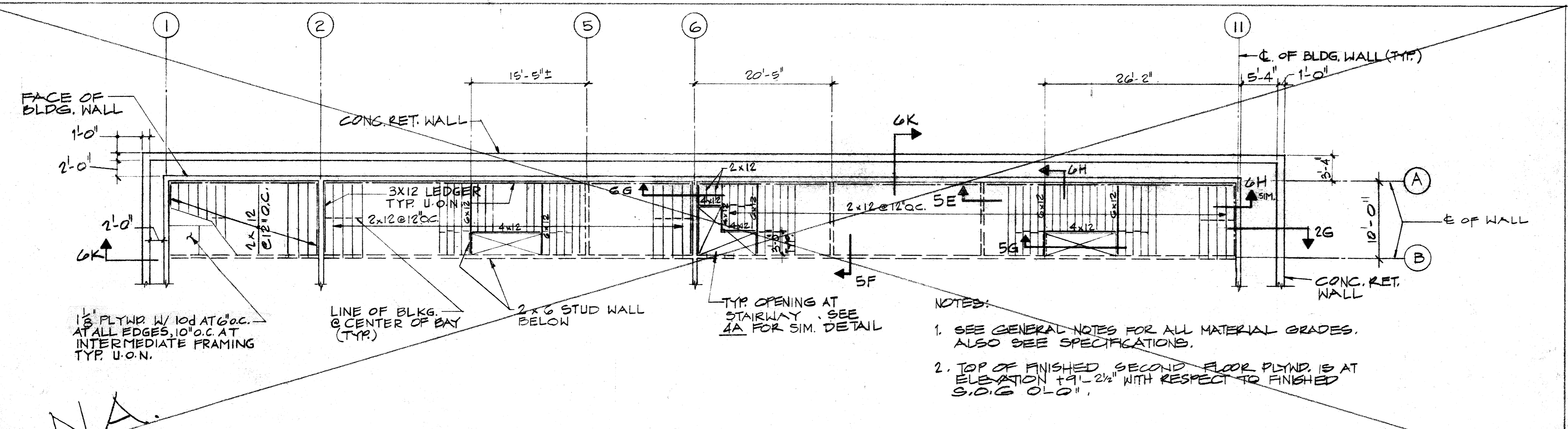


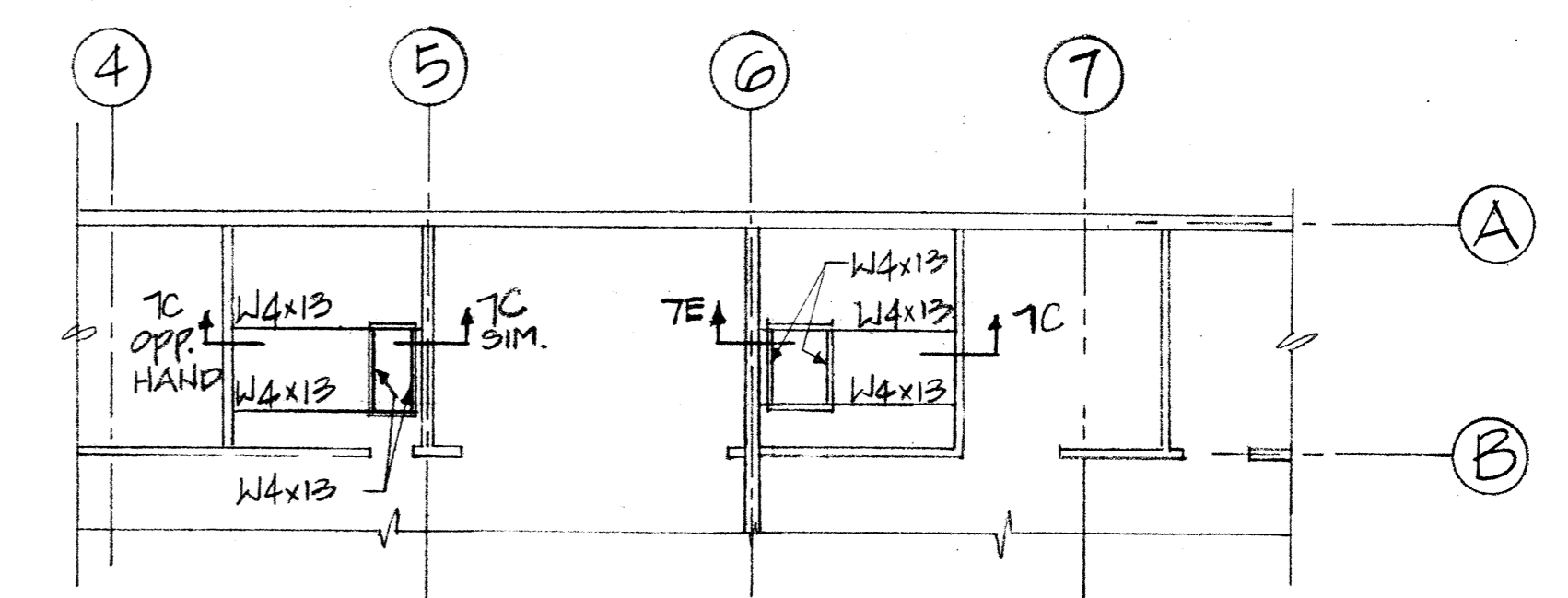
3A ROOF FRAMING PLAN 1/8" = 1'-0"



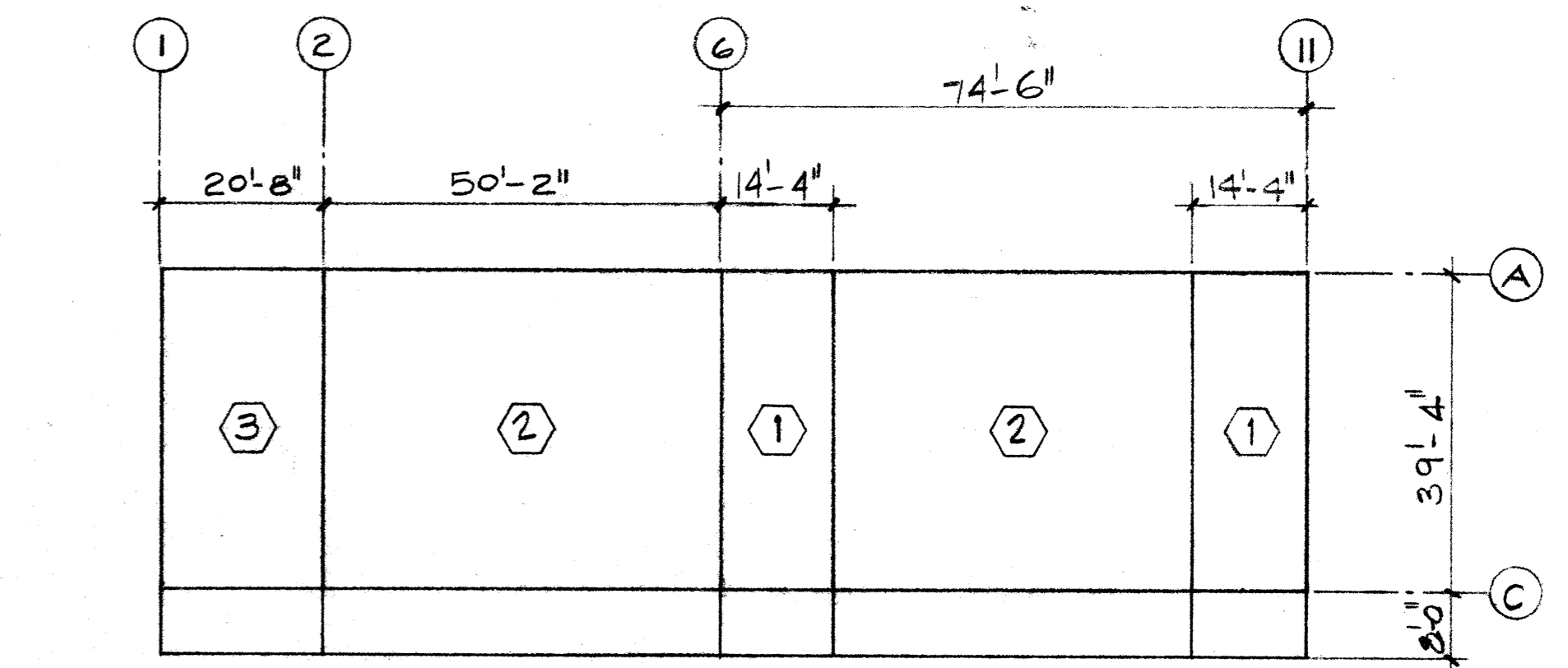
3B SECOND FLOOR FRAMING PLAN 1/8" = 1'-0"

ROOF FRAMING NOTES:

1. SEE GENERAL NOTES FOR ALL MATERIAL GRADES, ALSO SEE SPECIFICATIONS.
2. JOINTS FOR GLU-LAMS SHALL BE IN ACCORDANCE WITH UBC STANDARD (1989) 23-10 SECTION 23.1009
3. UPWARD CAMBER IN GLU-LAM IS DENOTED AS (+1/4") AND SHALL BE LOCATED AT MID-SPAN OF GLU-LAM (GLB)



MECHANICAL EQUIPMENT SUPPORT FRAMING PLAN 1/8" = 1'-0"



ROOF PLYWOOD NAILING SCHEDULE			
TYPE	BOUNDARY & CONTINUOUS PANEL EDGE	EDGES	INTERMEDIATE FRAMING
*①	10" @ 4" O.C.	10" @ 4" O.C.	10" @ 12" O.C.
②	10" @ 6" O.C.	10" @ 6" O.C.	10" @ 12" O.C.
③	10" @ 4" O.C.	10" @ 6" O.C.	10" @ 12" O.C.

NOTE: ALL FREE EDGES OF PLYND. SHEATHING SHALL BE BLOCKED
 * MIN. 3x FRAMING MEMBERS WHERE TYPE ① IS USED.

3C ROOF PLYWOOD NAILING SCHEDULE

N.A.