

OSA - STRUCTURAL SAFETY
 OVERTHECUT, INC. 5140
 Department of General Services
 Office of the State Architect
 5371
 5371

SFM-STATE FIRE MARSHALL

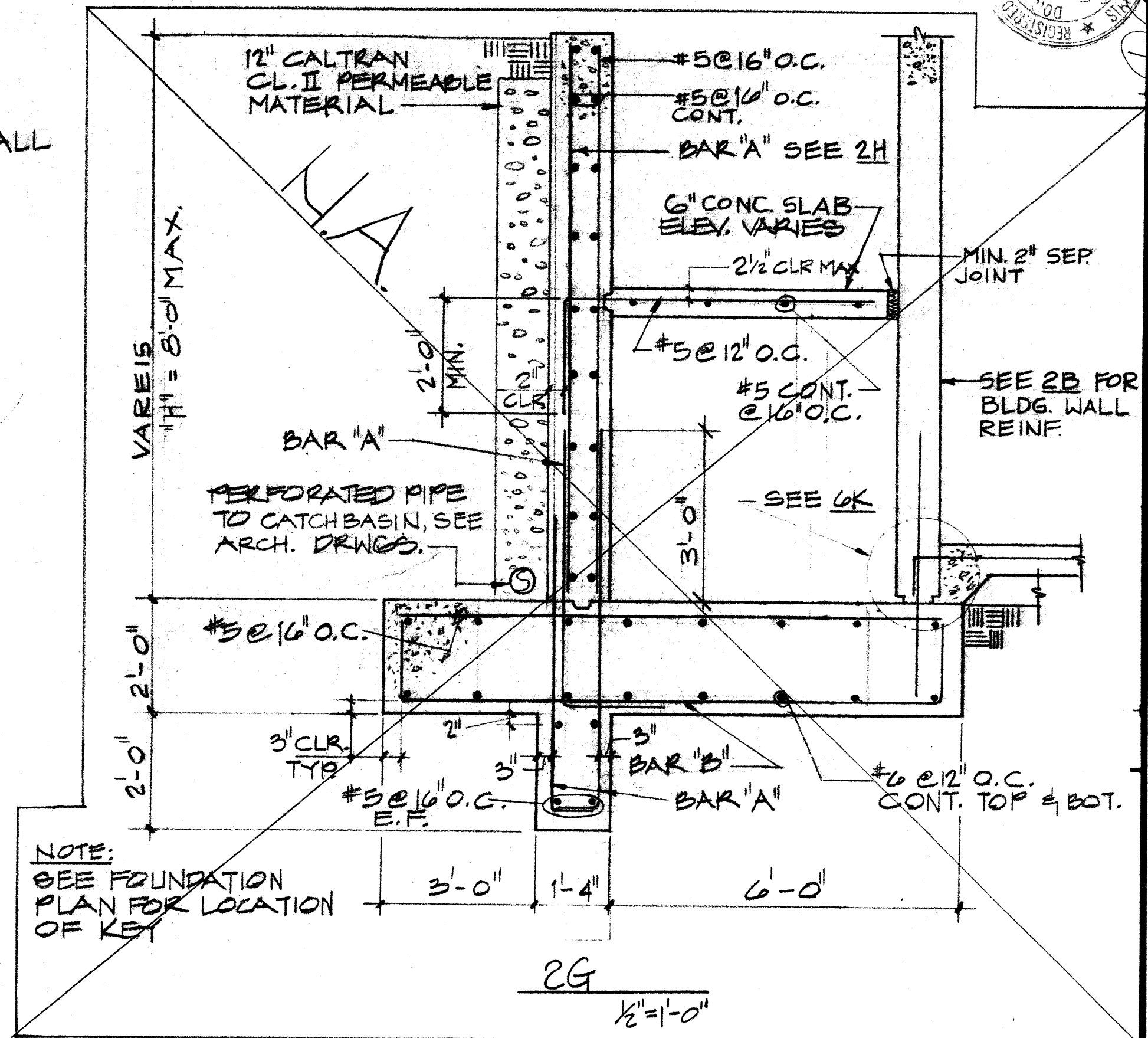
OSA - ACCESS COMPLIANCE

SHEAR WALL SCHEDULE:

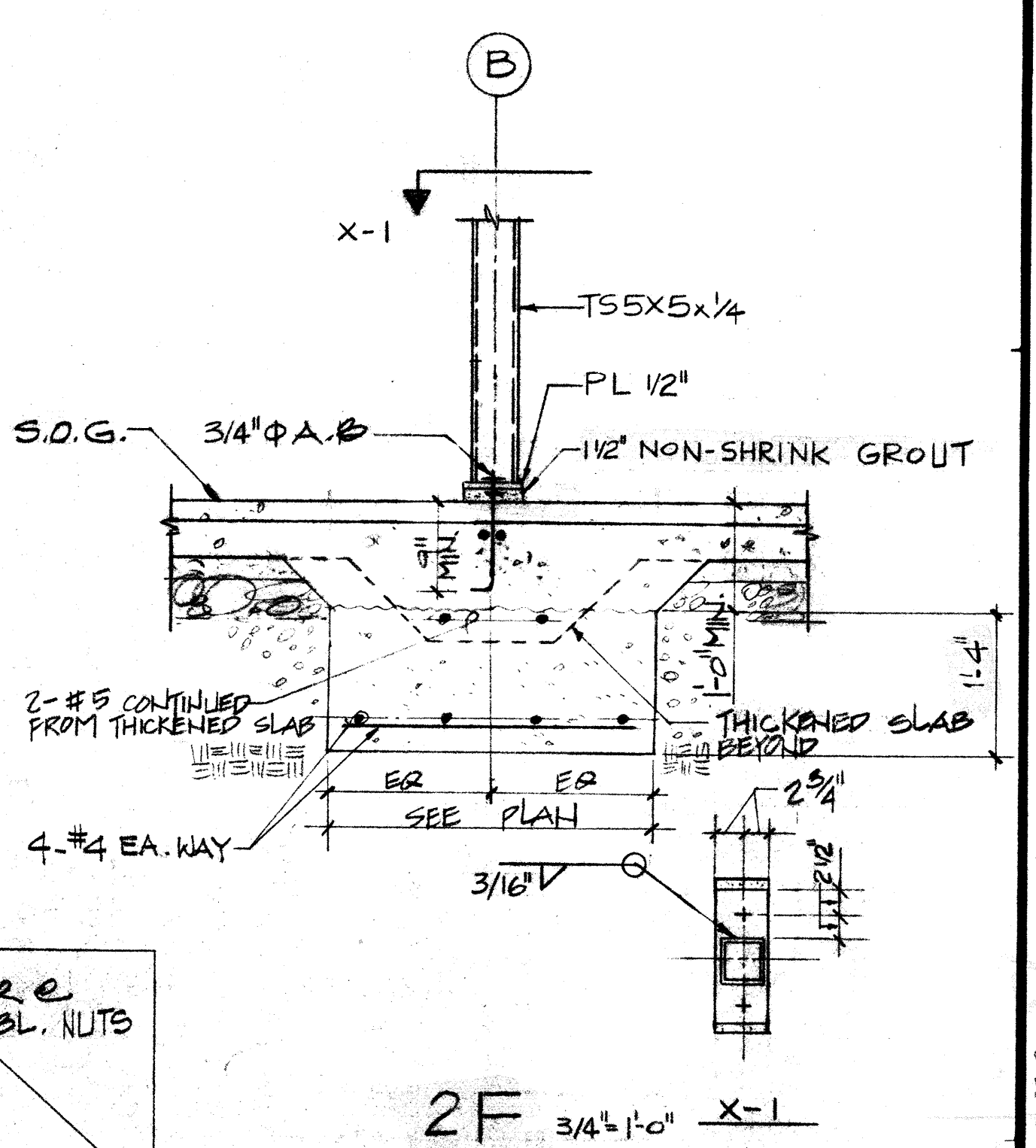
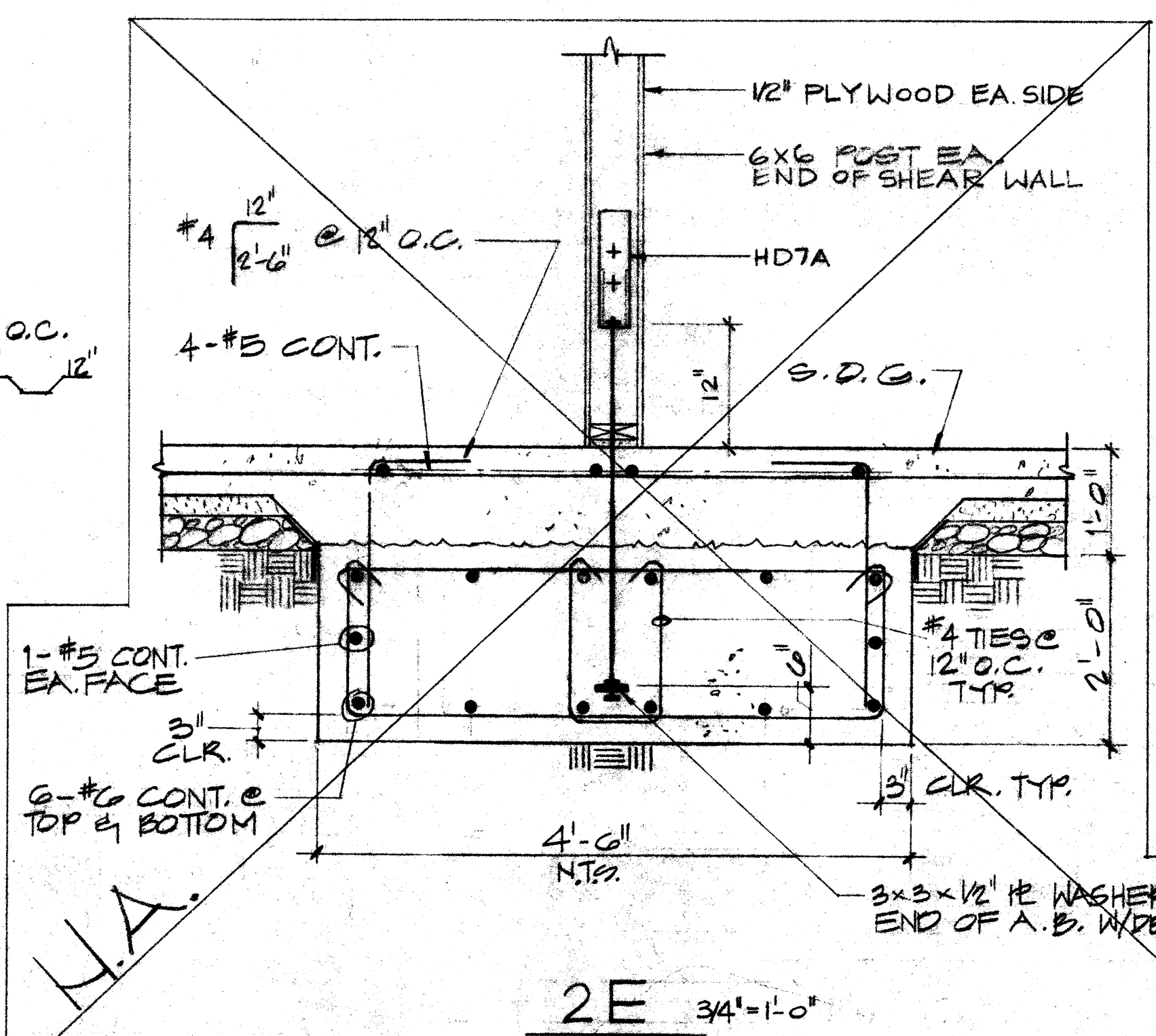
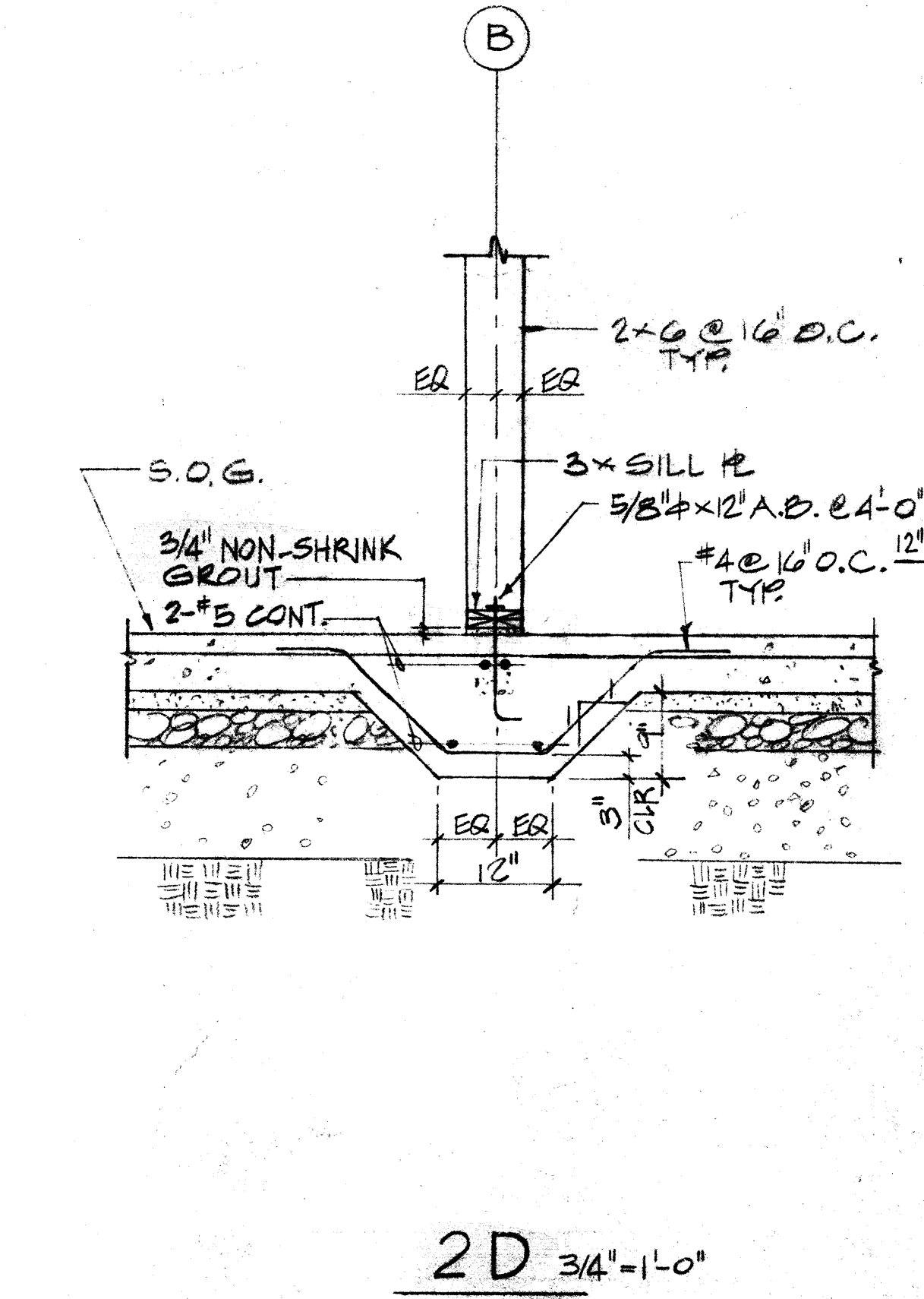
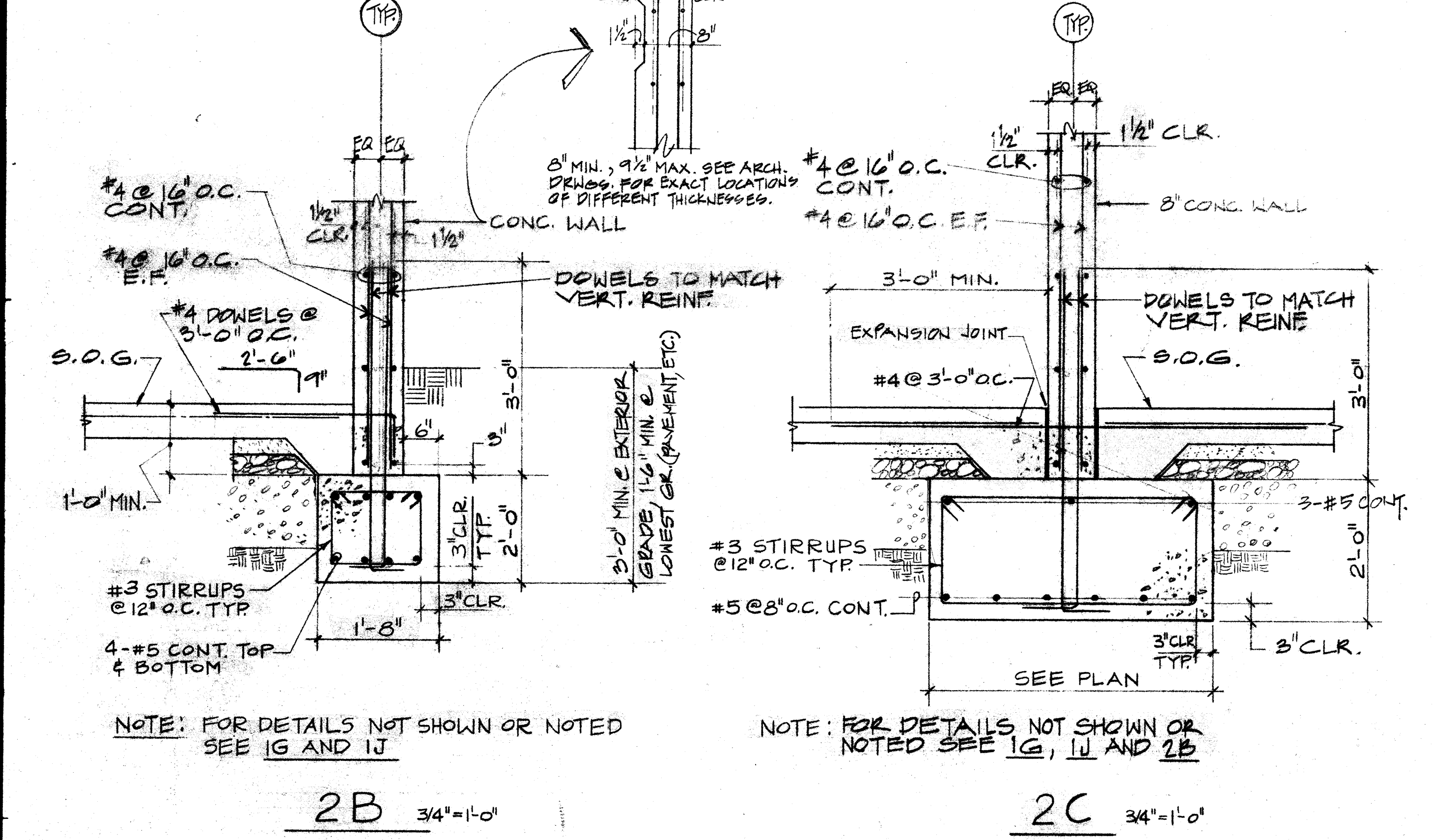
INDICATE 1/2 PLYWOOD SHEAR WALL WITH BOUNDARY NAILING AT 4" O.C. AND 12" O.C. AT INTERMEDIATE FRAMING. (ALL EDGES BLOCKED)

INDICATE 1/2 PLYWOOD SHEAR WALL WITH BOUNDARY NAILING AT 3" O.C. AND 12" O.C. AT INTERMEDIATE FRAMING. (ALL EDGES BLOCKED)

- NOTES:**
1. FINISHED ELEVATION OF TOP OF SLAB ON GRADE IS AT 0'-0" WITH RESPECT TO DATUM ELEV. OF + 0'-0"
 2. SEE ARCHITECTURAL MECH., PLUMBING AND ELEC. DRAWINGS FOR SLAB DEPRESSION, CURBS, EMBEDDED ITEMS.
 3. REBARS AT CONTINUOUS WALL FOOTING TO BE SPACED PER SEE AND BRAGG, AT 4'-0" MIN. U.O.N.
 4. SEE ARCH. DRAWINGS FOR ELEVATIONS OF SOIL TO BE SUPPORTED BY RETAINING WALLS.
 5. SEE ARCHITECTURAL DRNGS. FOR LOCATIONS OF PARTITION WALLS NOT SHOWN. SEE 4H & 4N FOR CONNECTION DETAILS OF WALL STUDS.



2A FOUNDATION PLAN 1/8" = 1'-0"



KELLER AND DASEKING ARCHITECTS
 WALTER L. KELLER A.I.A.
 WILLIAM H. DASEKING A.I.A.
 4260 EL CAMINO REAL, PALO ALTO, CALIFORNIA 94306 (415) 897-1400

KELLER AND DASEKING ARCHITECTS
 WALTER L. KELLER A.I.A.
 WILLIAM H. DASEKING A.I.A.
 825 OAK GROVE AVENUE, MENLO PARK, CA 94025 415/325-5366

AUTOMOTIVE CLASSROOM BUILDING
 TOILET ROOM RENOVATIONS
SKYLINE COLLEGE
 SAN MATEO COUNTY COMMUNITY COLLEGE DISTRICT

8906
 7-12-90
S-2