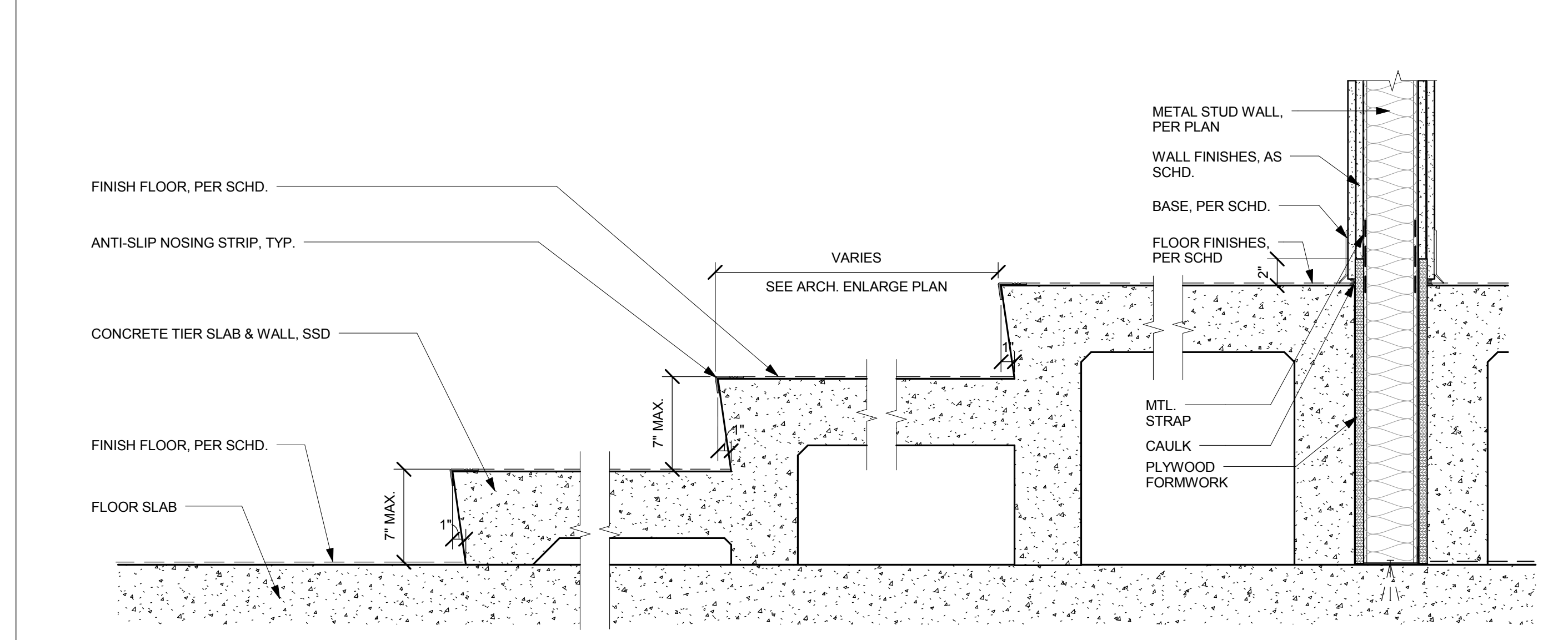
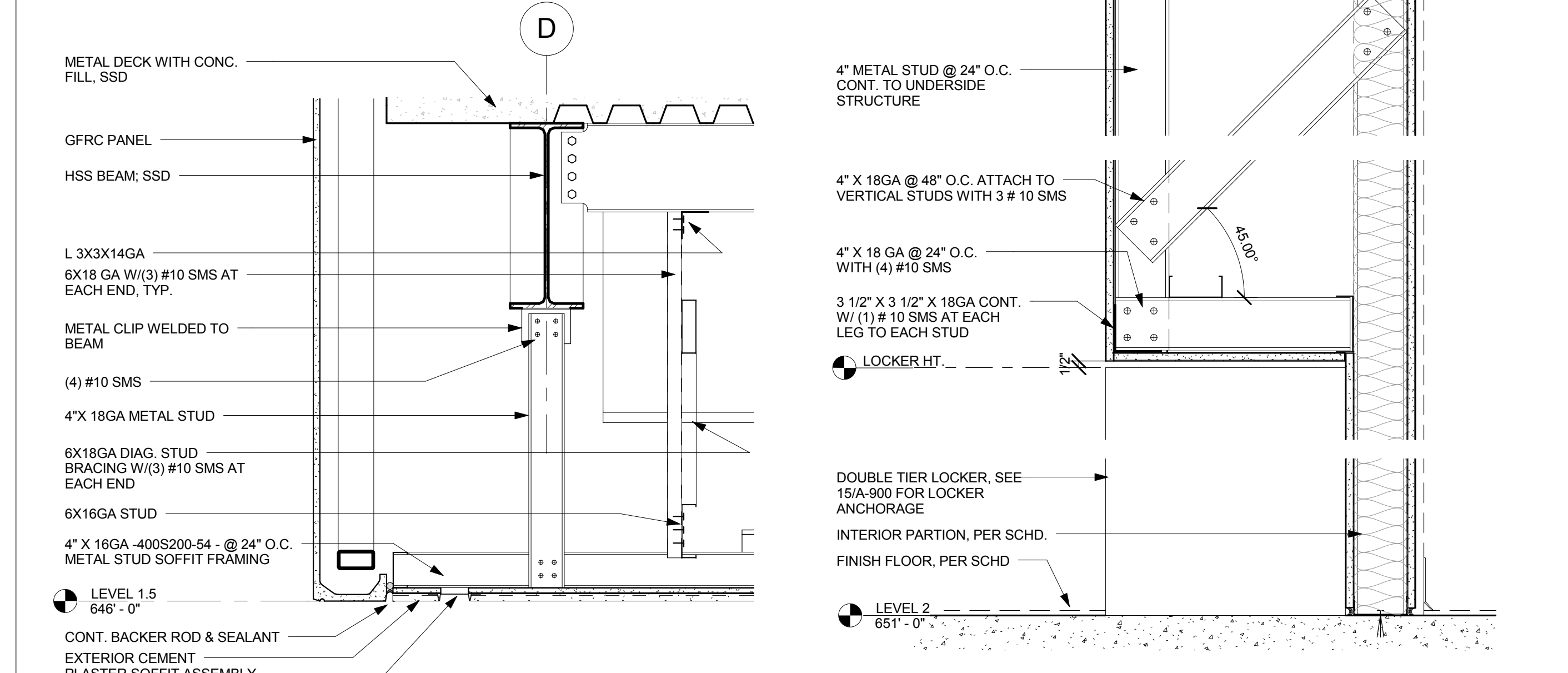


19 SOFFIT AT SOUTHWEST STAIR  
1" = 1'-0"



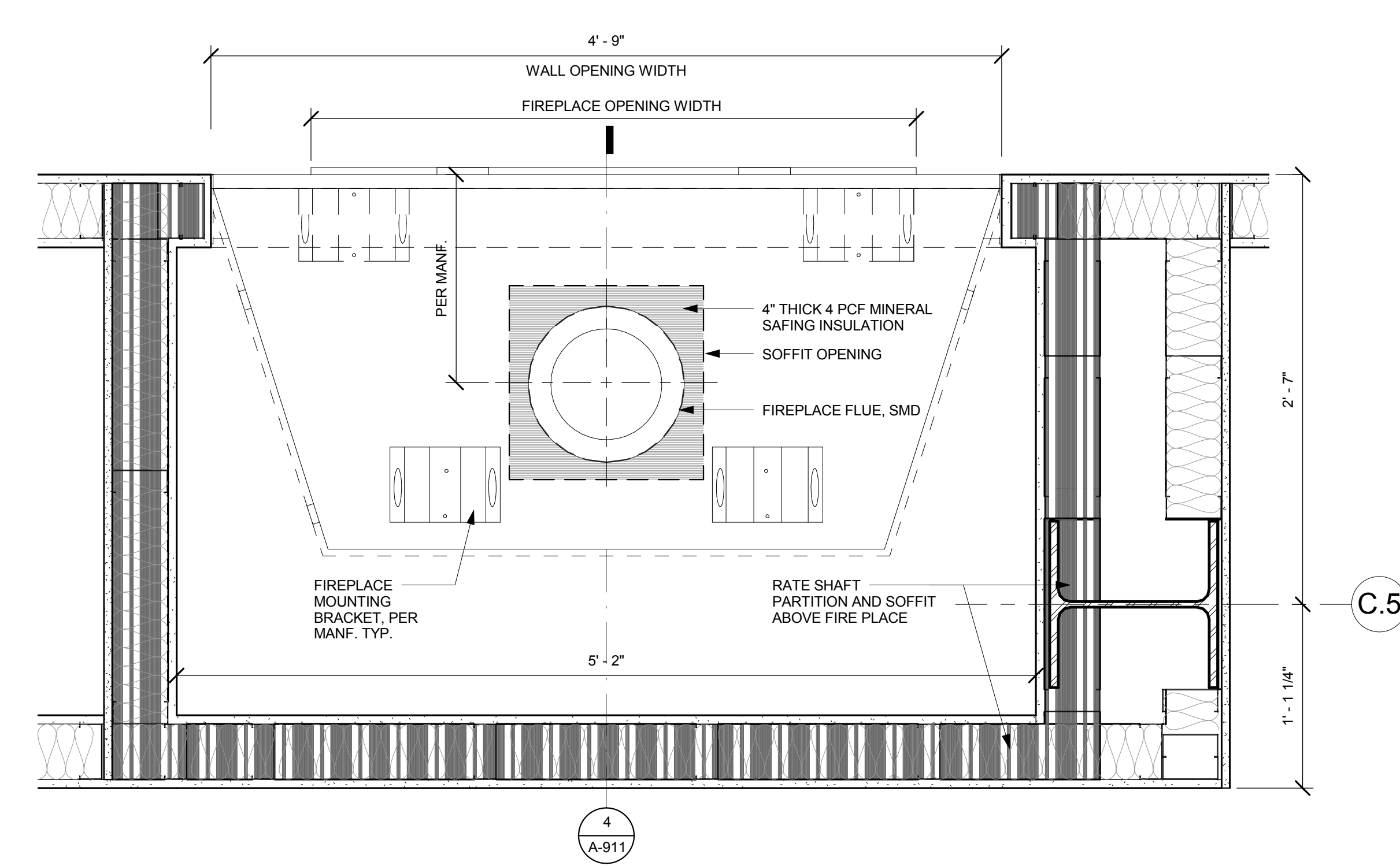
18 CONCRETE TIER SEATING  
1 1/2" = 1'-0"



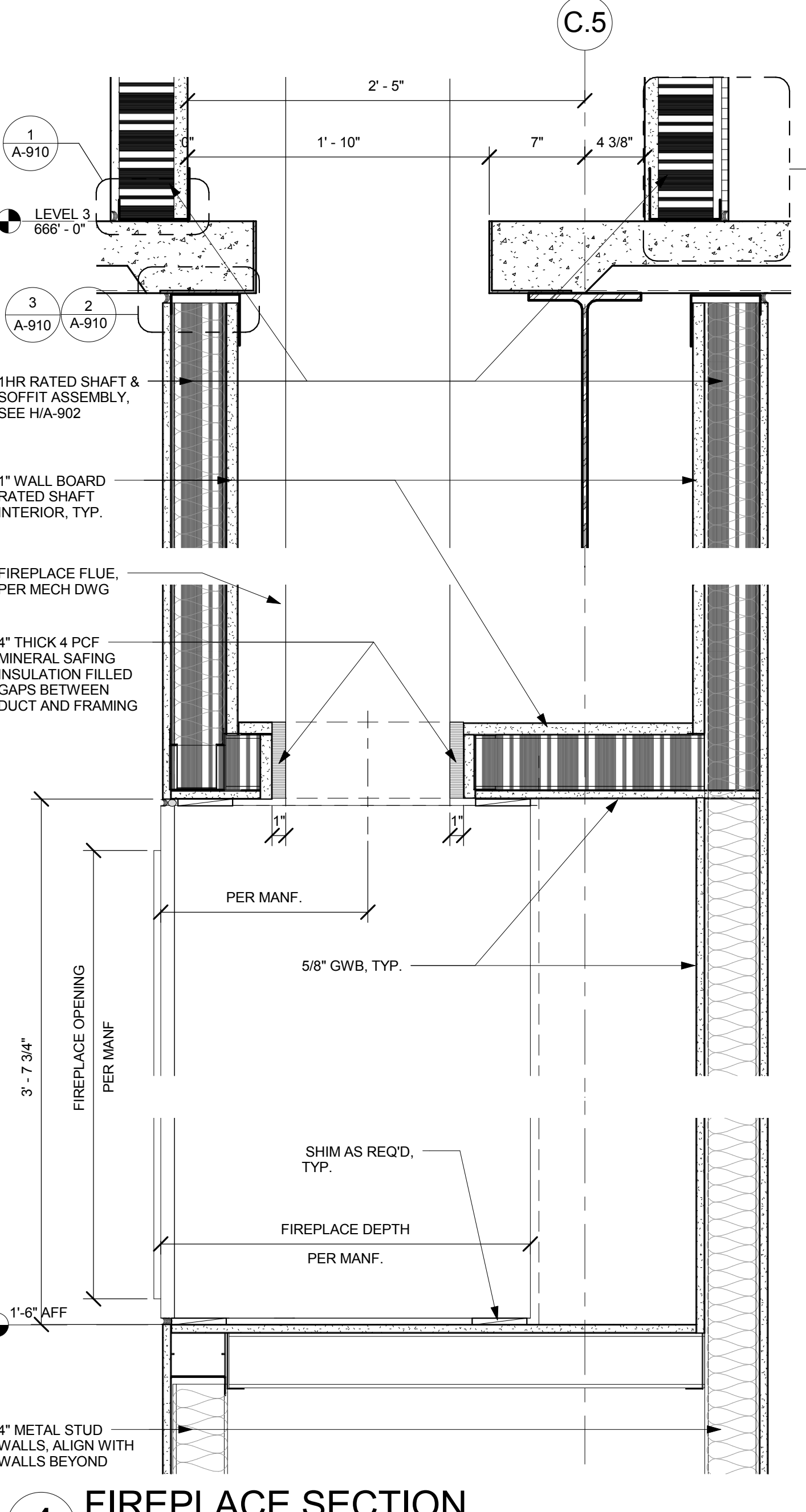
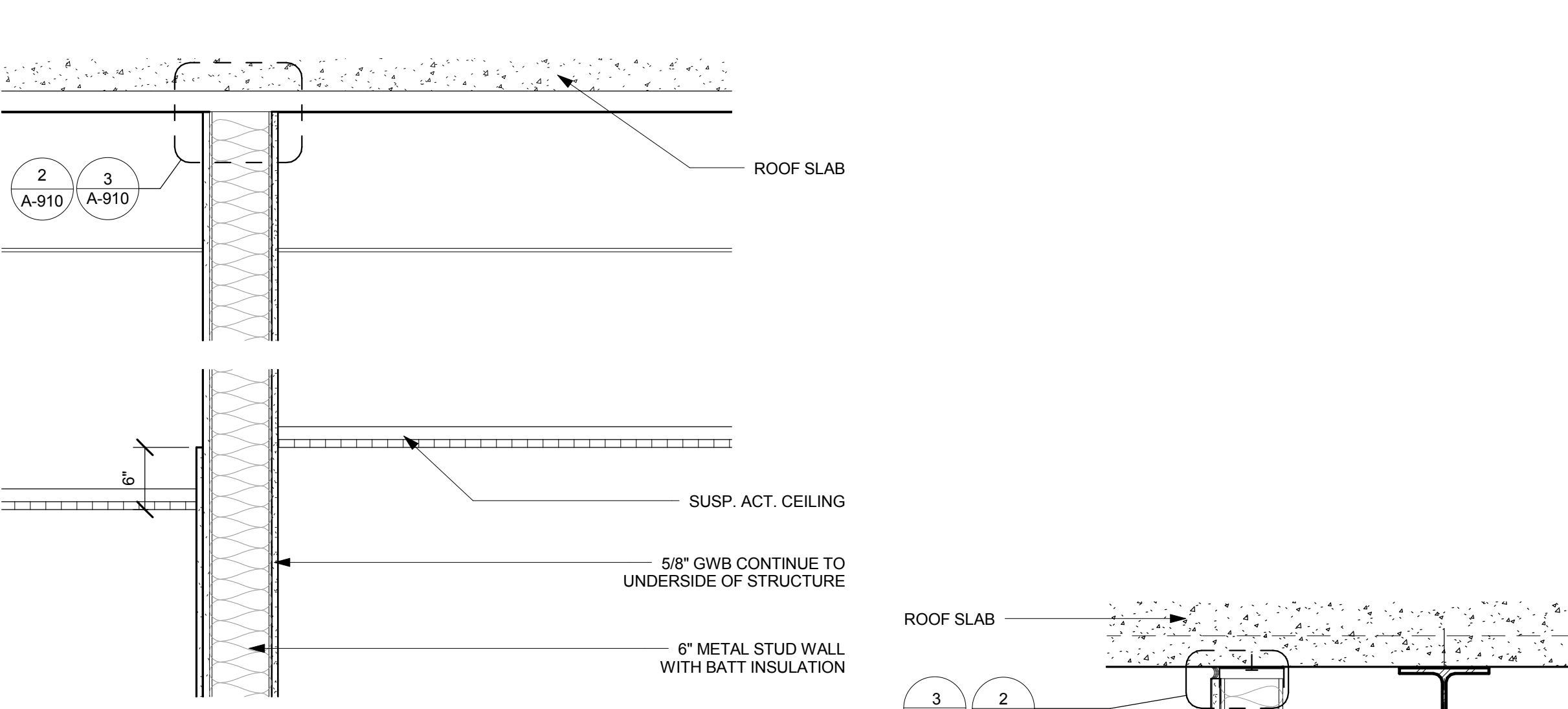
17 SOFFIT SUPPORT  
1" = 1'-0"



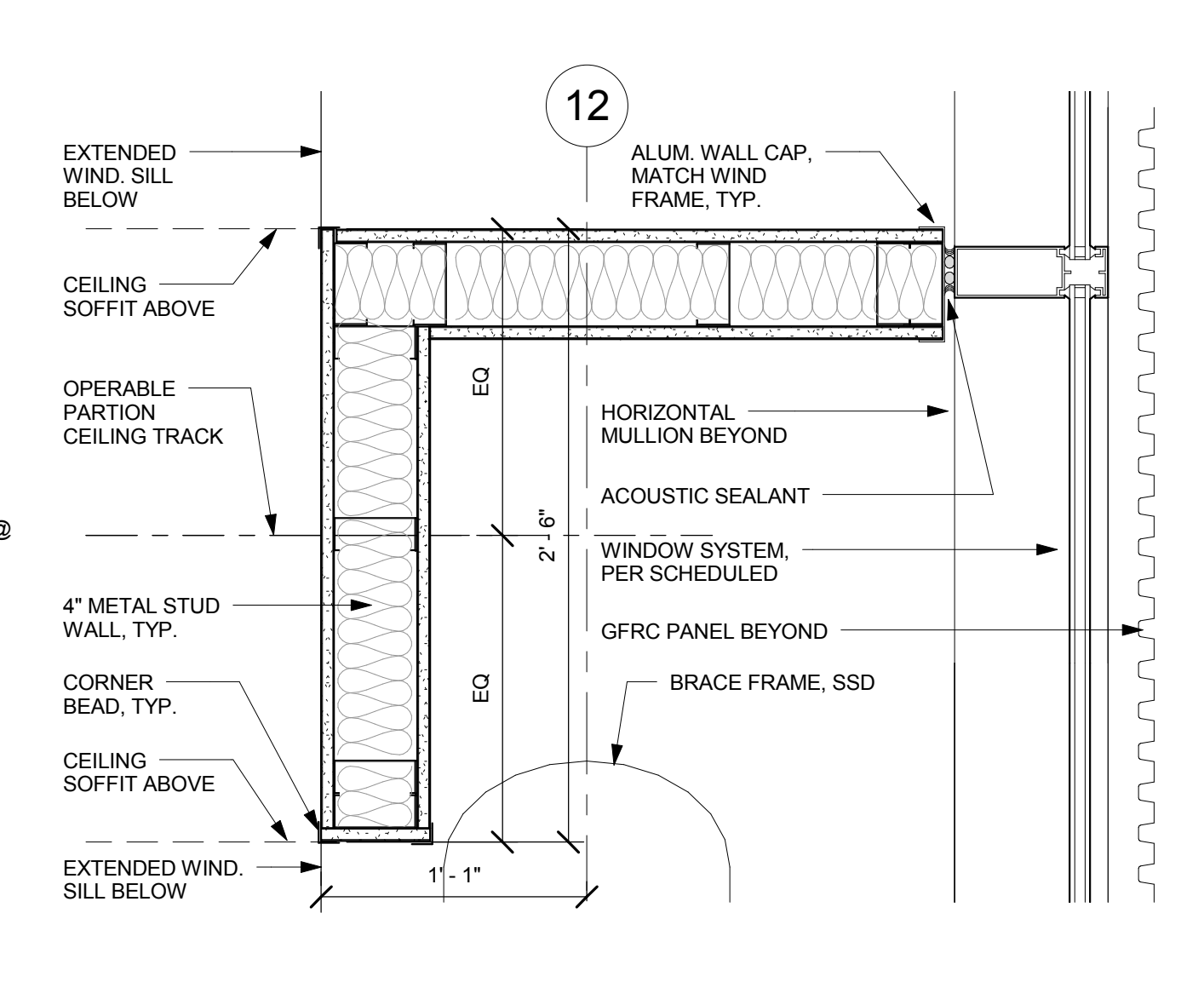
13 SOFFIT FURRING AT LOCKERS  
1 1/2" = 1'-0"



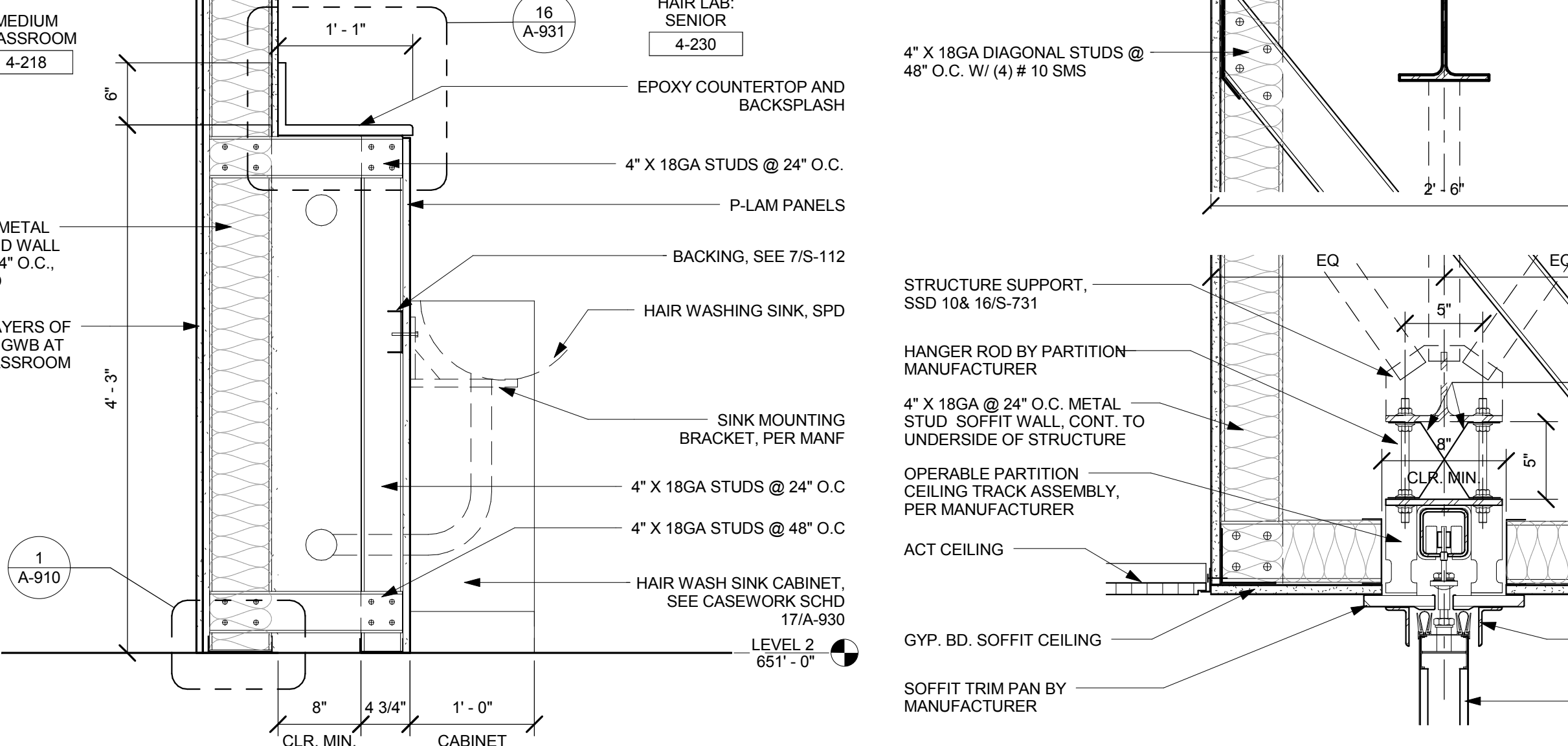
12 FIREPLACE FRAMING PLAN  
1 1/2" = 1'-0"



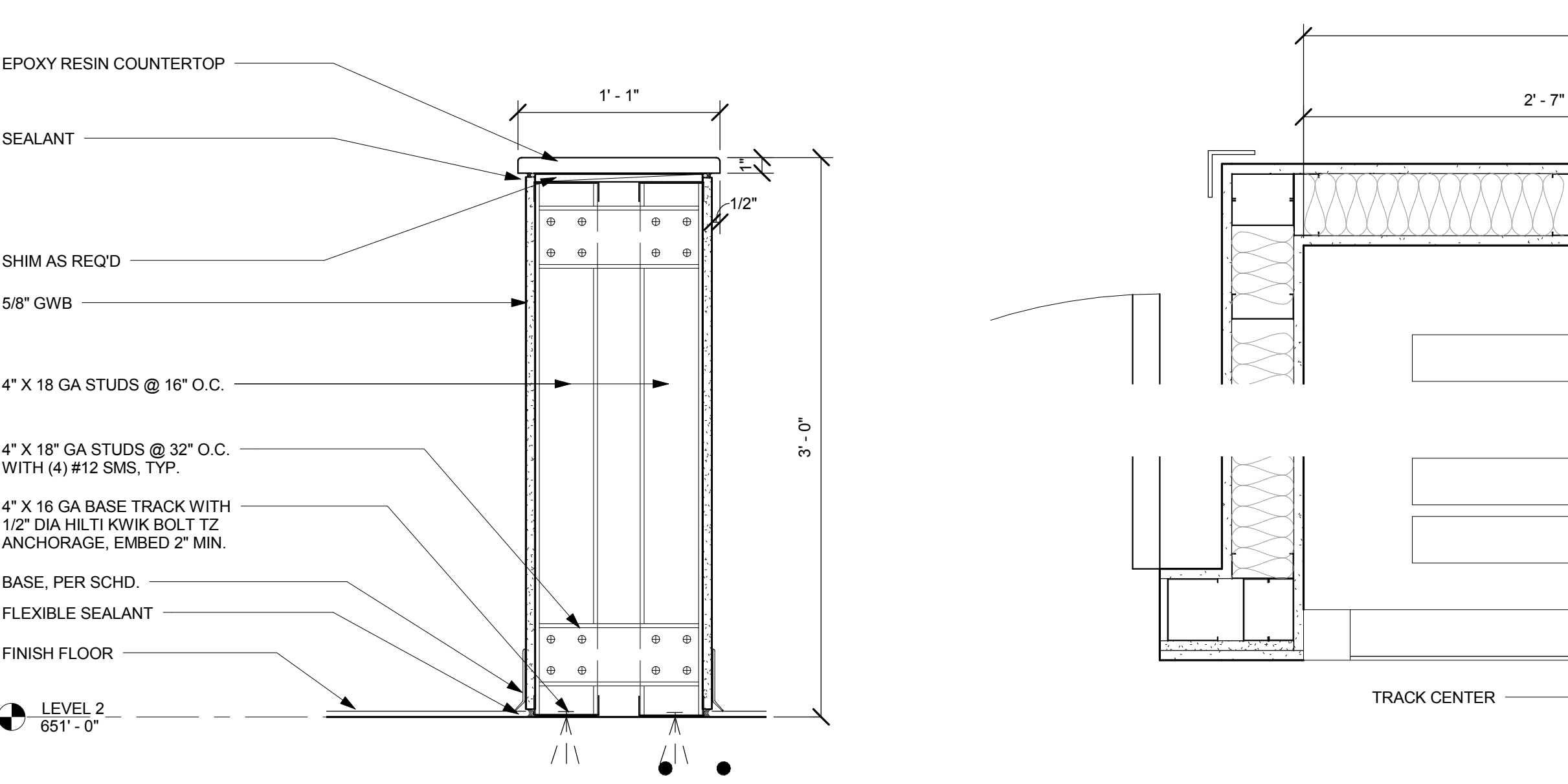
4 FIREPLACE SECTION  
1 1/2" = 1'-0"



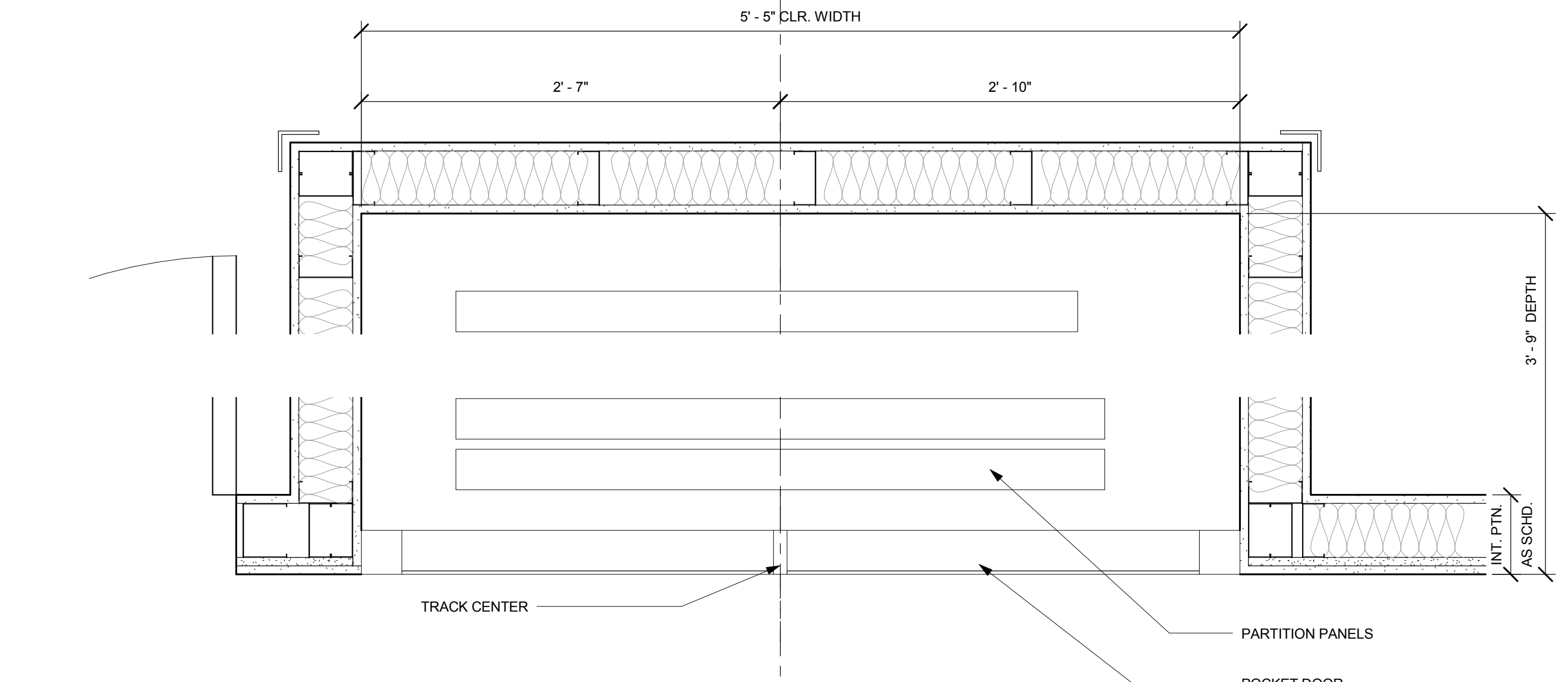
3 OPERABLE TRACK - END WALL  
1 1/2" = 1'-0"



10 PLUMBING WALL @ HAIR LAB  
1" = 1'-0"



9 PARTIAL HT. WALL - HAIR LAB  
1 1/2" = 1'-0"



5 OPERABLE PARTITION  
1 1/2" = 1'-0"

All drawings and written material appearing herein constitute original and unpublished work of the Architect/Engineer and may not be duplicated, used or disclosed without consent of Architect/Engineer.  
If this drawing is not 30"x42", then the drawing has been revised from its original size. Noted scales must be adjusted. This line should be equal to one inch.