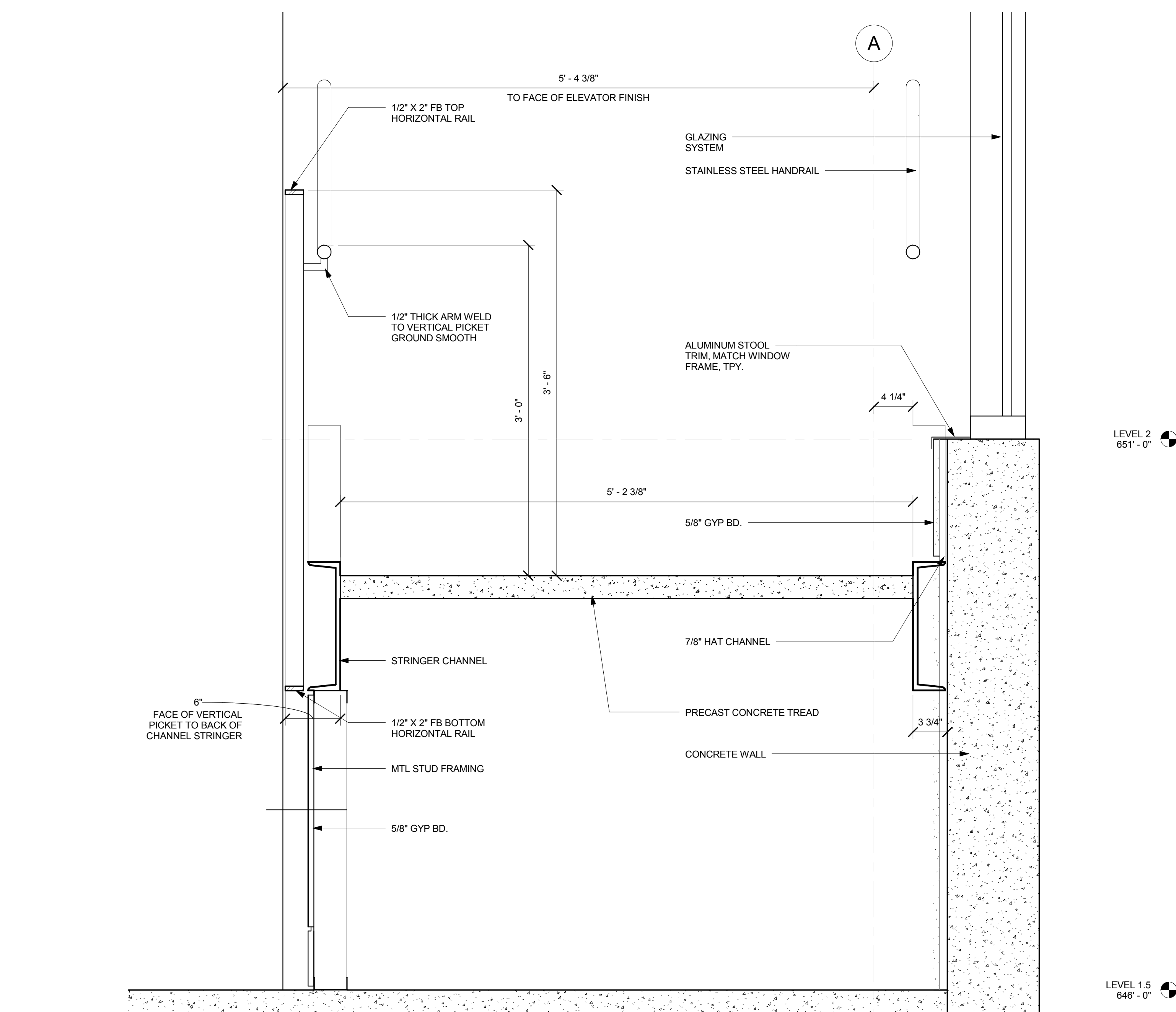
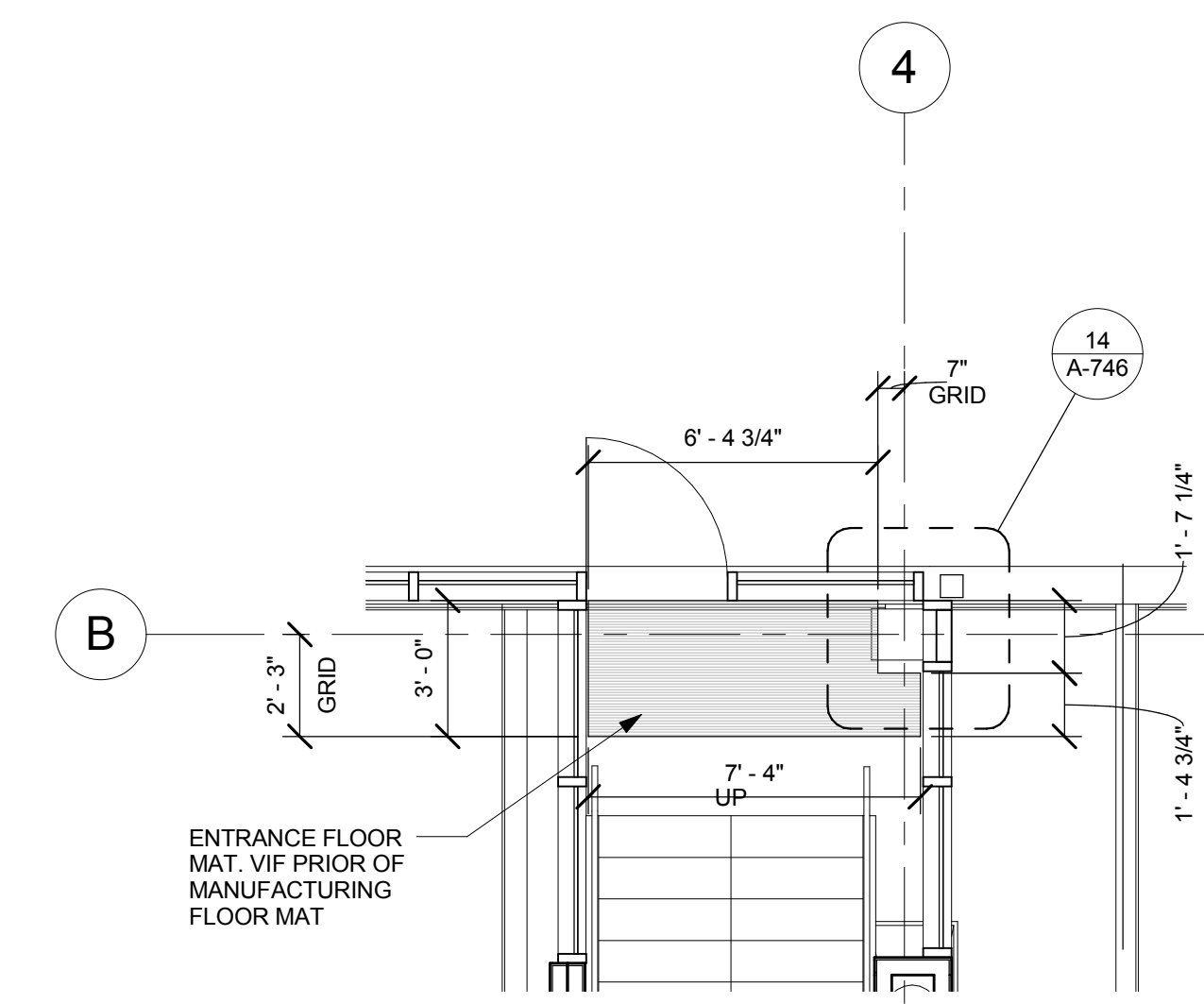


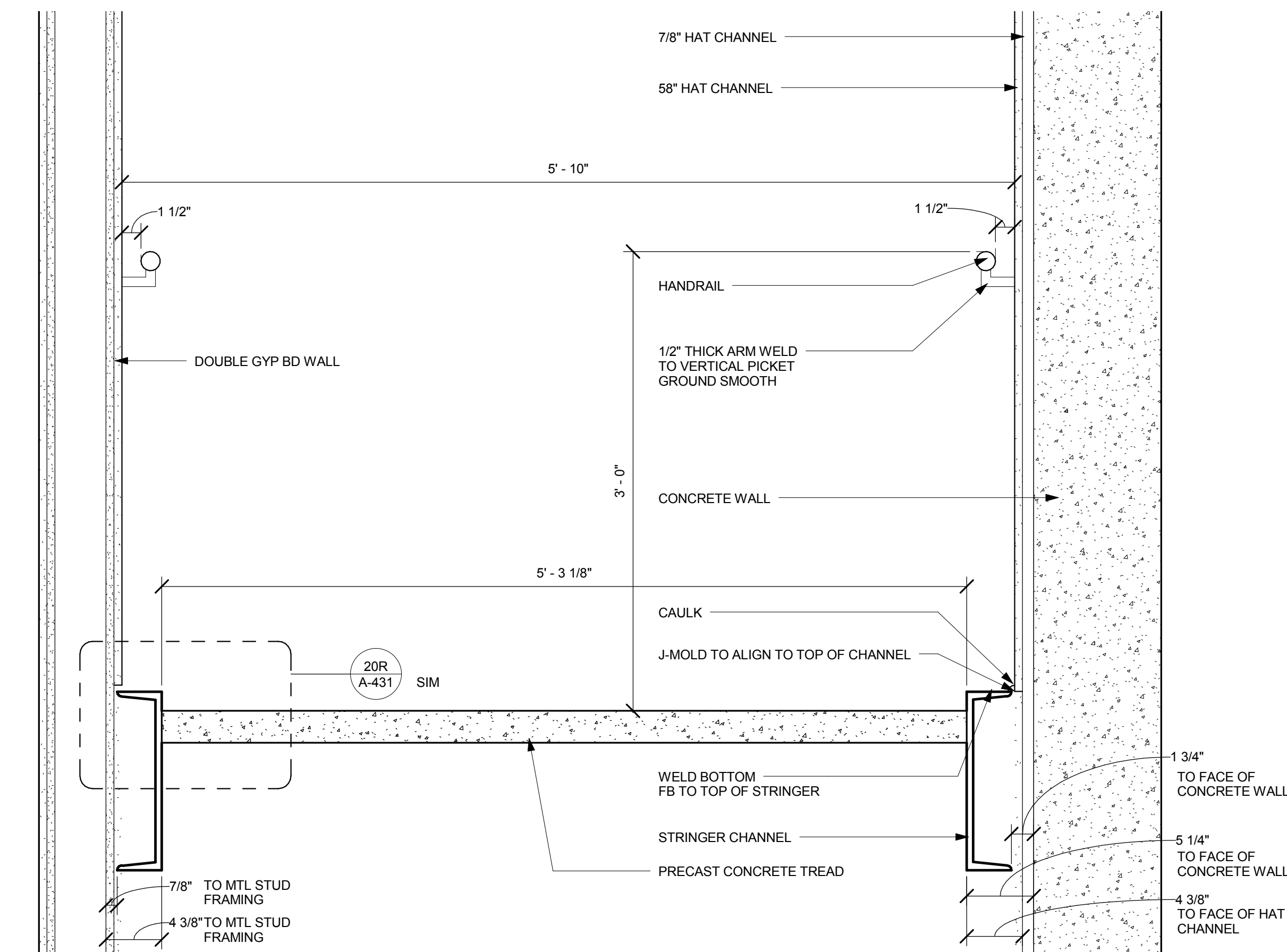
4 STAIR 05 DETAIL SECTION @ LANDING
1/2" = 1'-0"



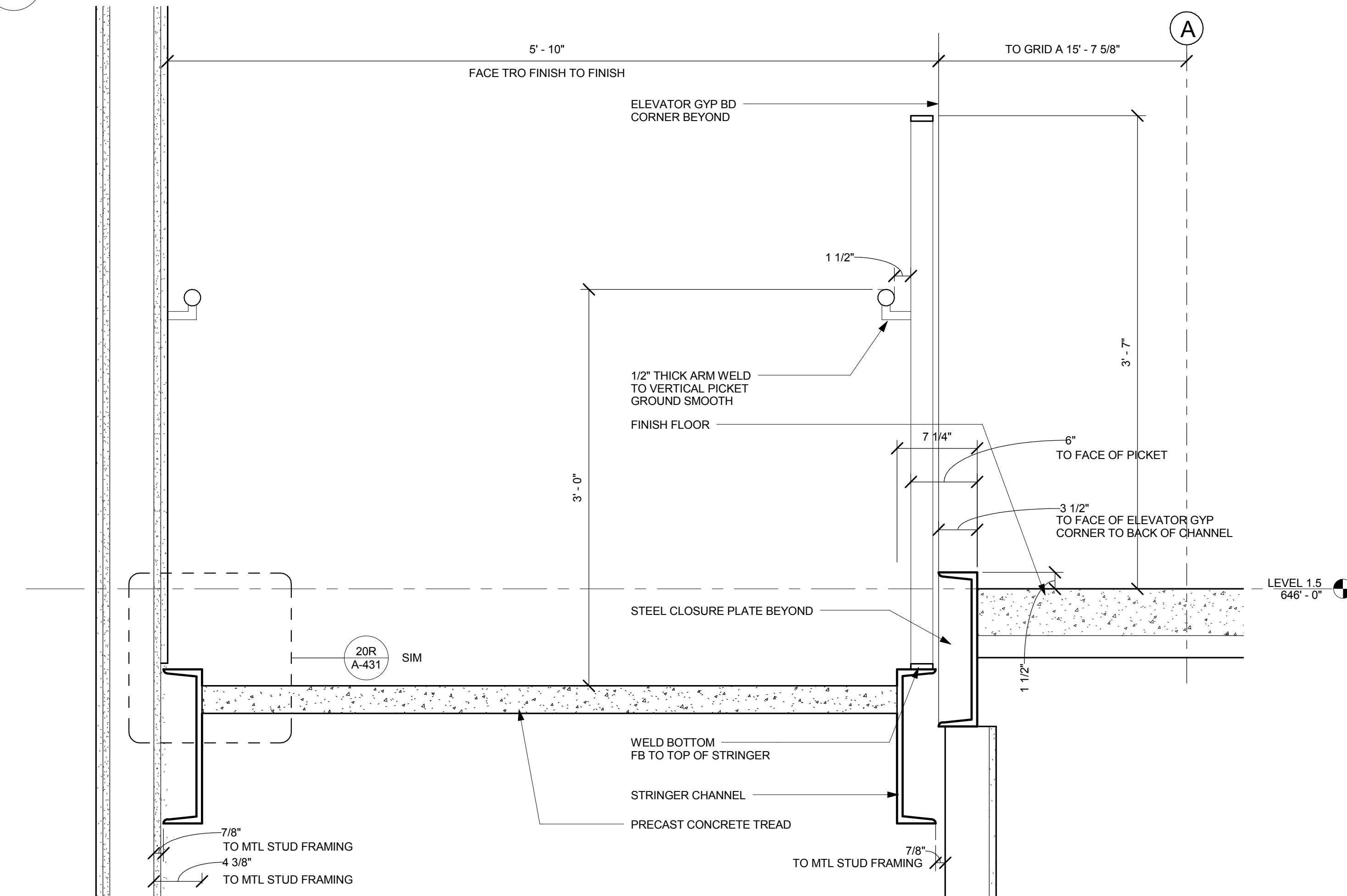
3 STAIR 01 STRINGER AT CONC. WALL
1 1/2" = 1'-0"



5 ST04 LANDING PLAN DETAIL
1/4" = 1'-0"



2 STAIR 02 STRINGER AT ELEVATOR WALL
1 1/2" = 1'-0"



1 STAIR 02 STRINGER AT 1.5 LEVEL
1 1/2" = 1'-0"