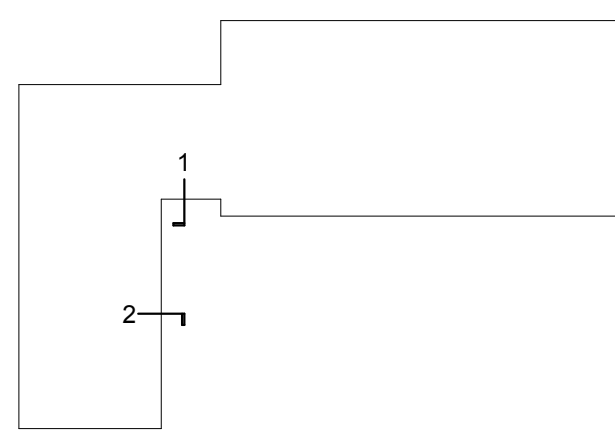


PROJECT
RECORD SET

BUILDING 4
SKYLINE COLLEGE

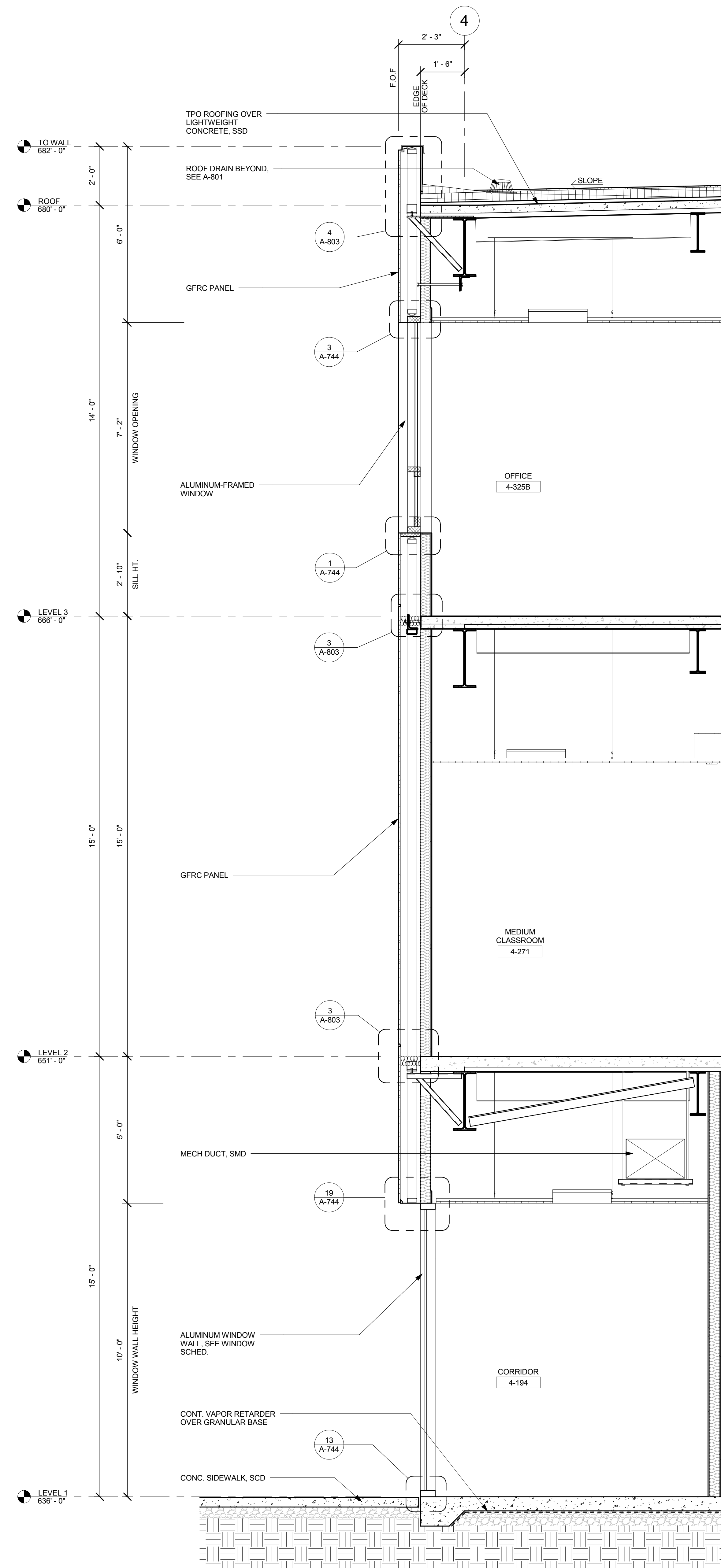
SAN MATEO COUNTY
COMMUNITY COLLEGE
DISTRICT

CIP2 DESIGN-BUILD
PROJECT
BUILDING 4

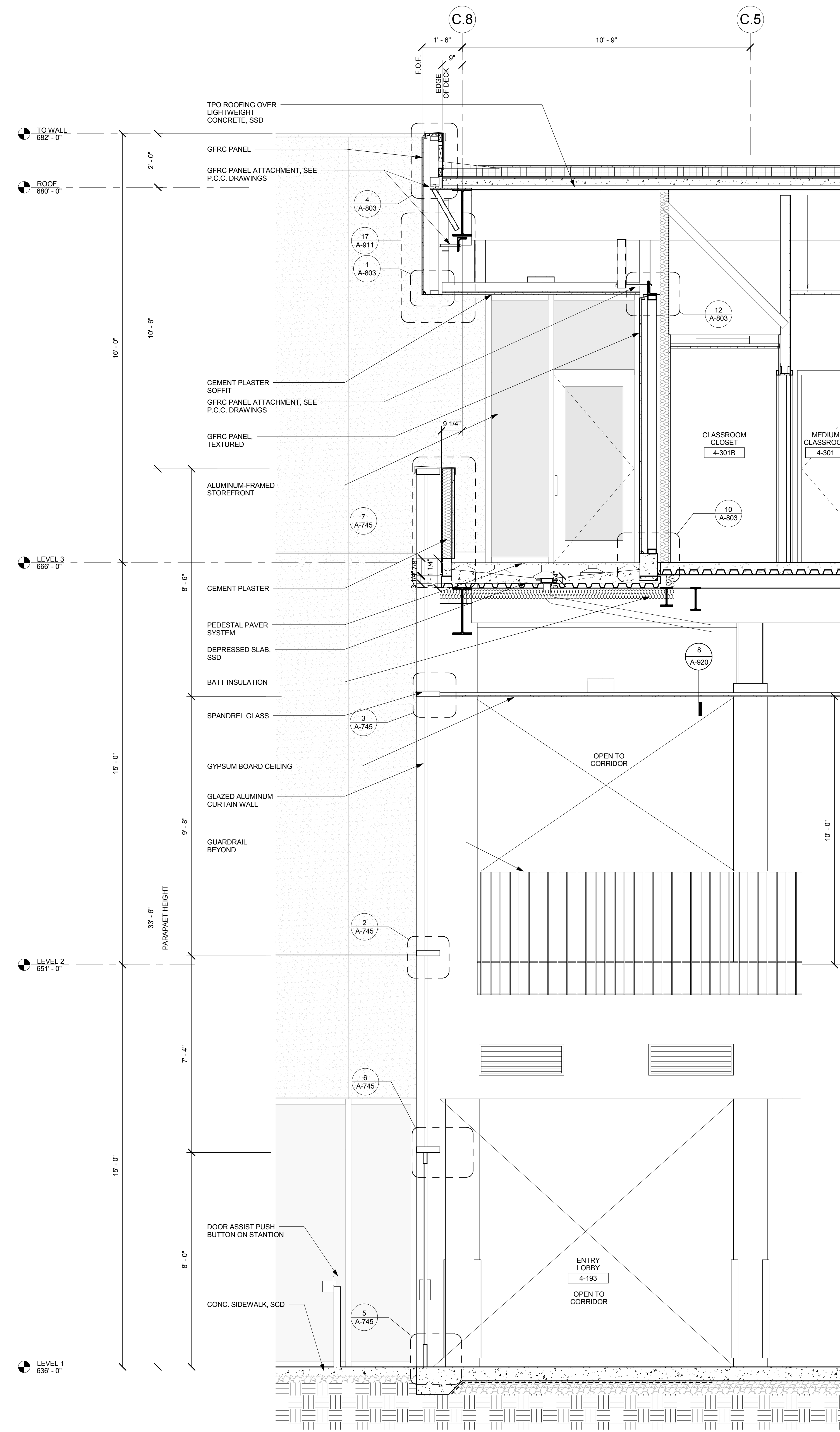


PROJECT NO.: 07012.00 DRAWN BY: MC
DATE: 05/05/08 CHECKED BY: LG
SCALE: As indicated

SHEET TITLE:
WALL SECTIONS



2 SECTION BETWEEN E/ F
1/2" = 1'-0"



1 SECTION BETWEEN 4/5
1/2" = 1'-0"