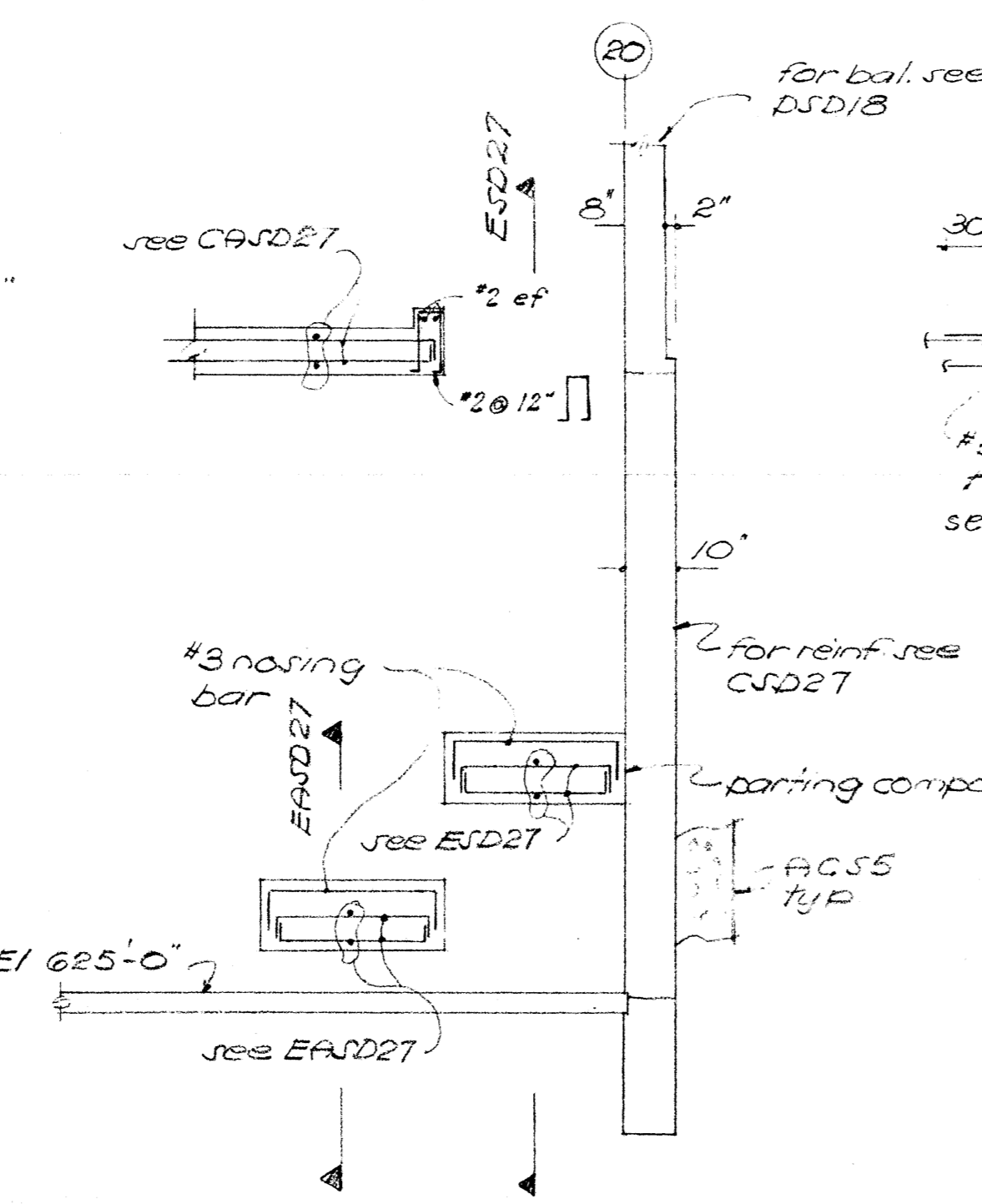
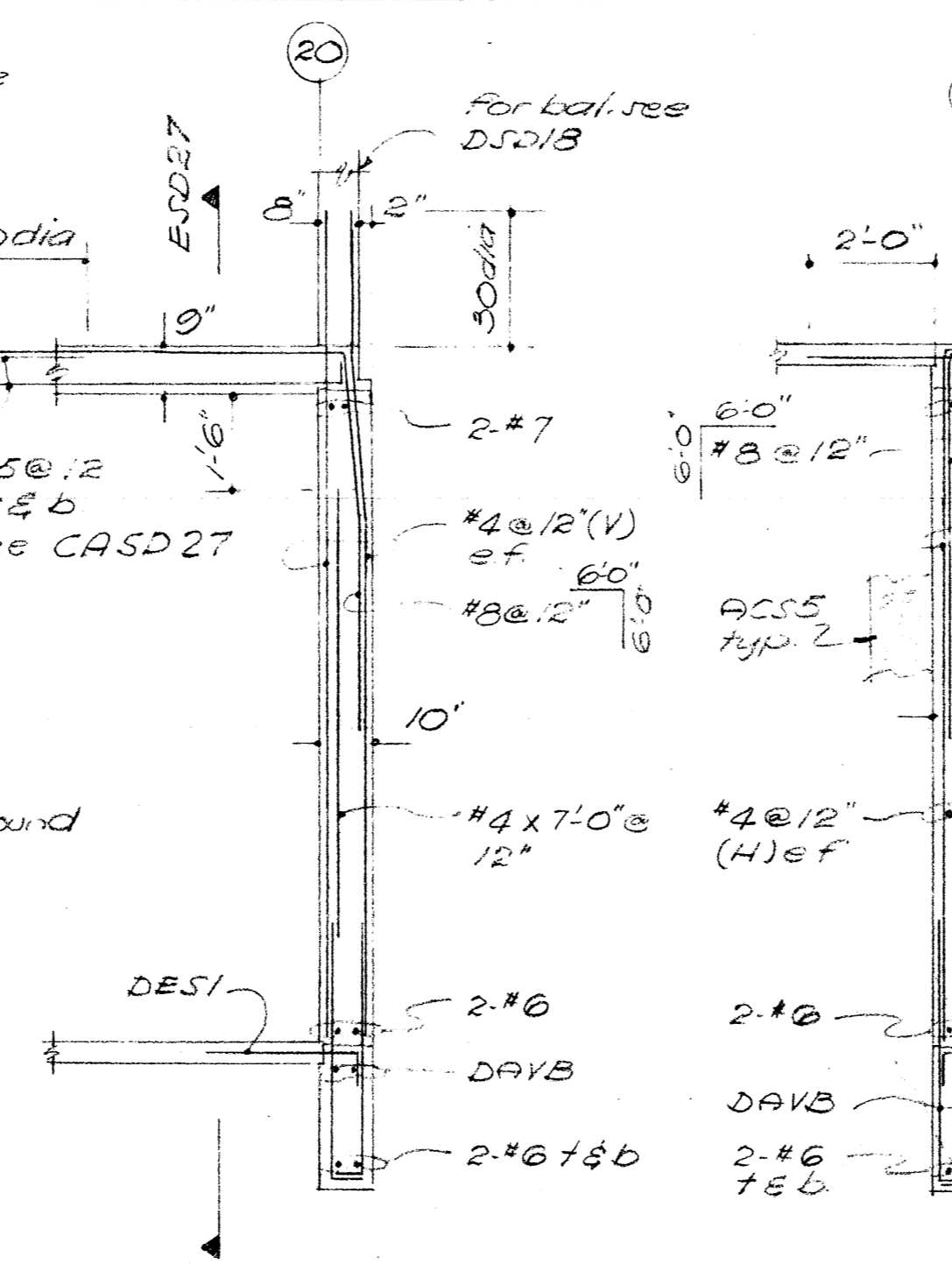


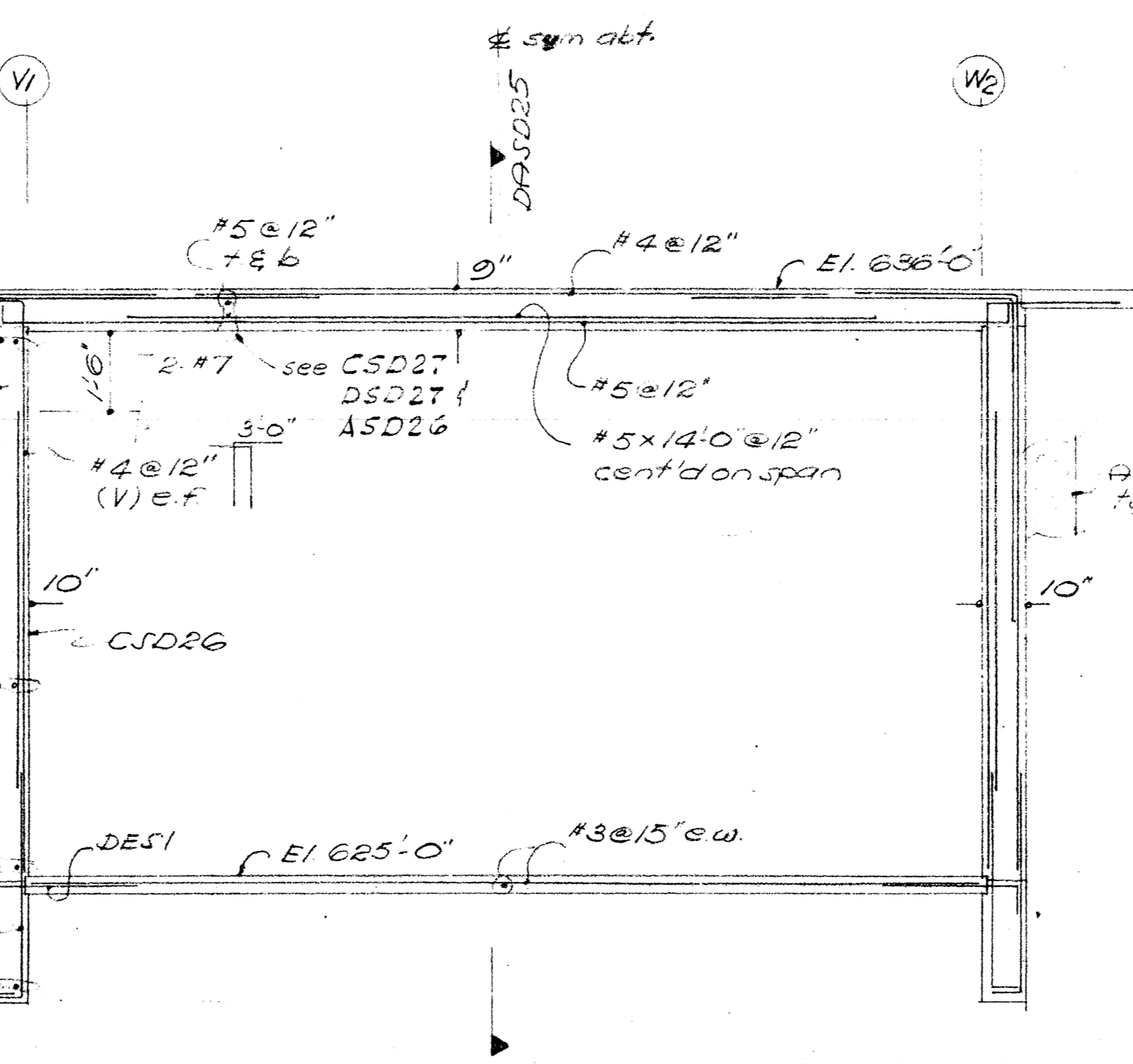
ESD27 3/4"=1'-0"



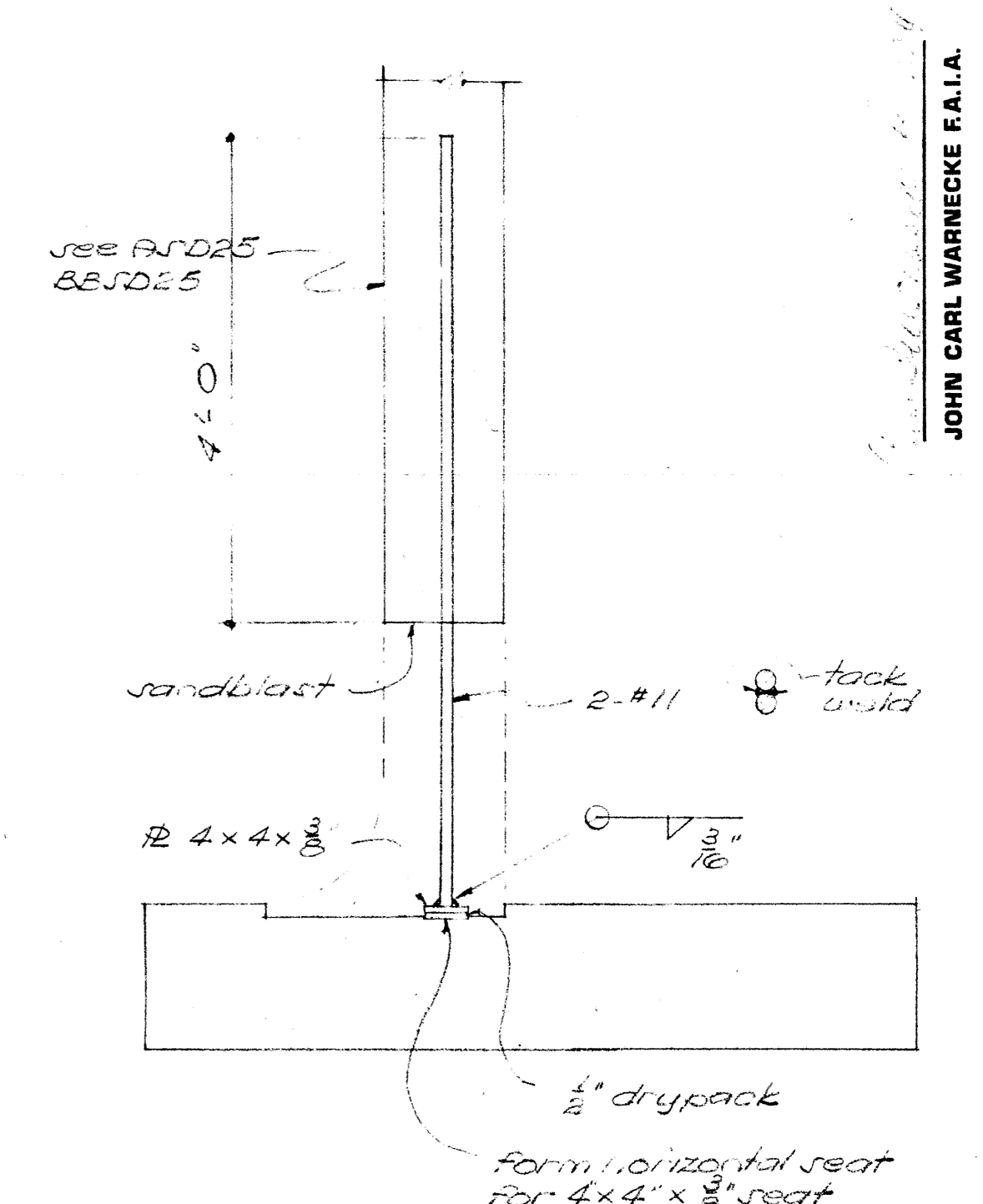
DSD27 3/4"=1'-0"



CSD27 3/4"=1'-0"

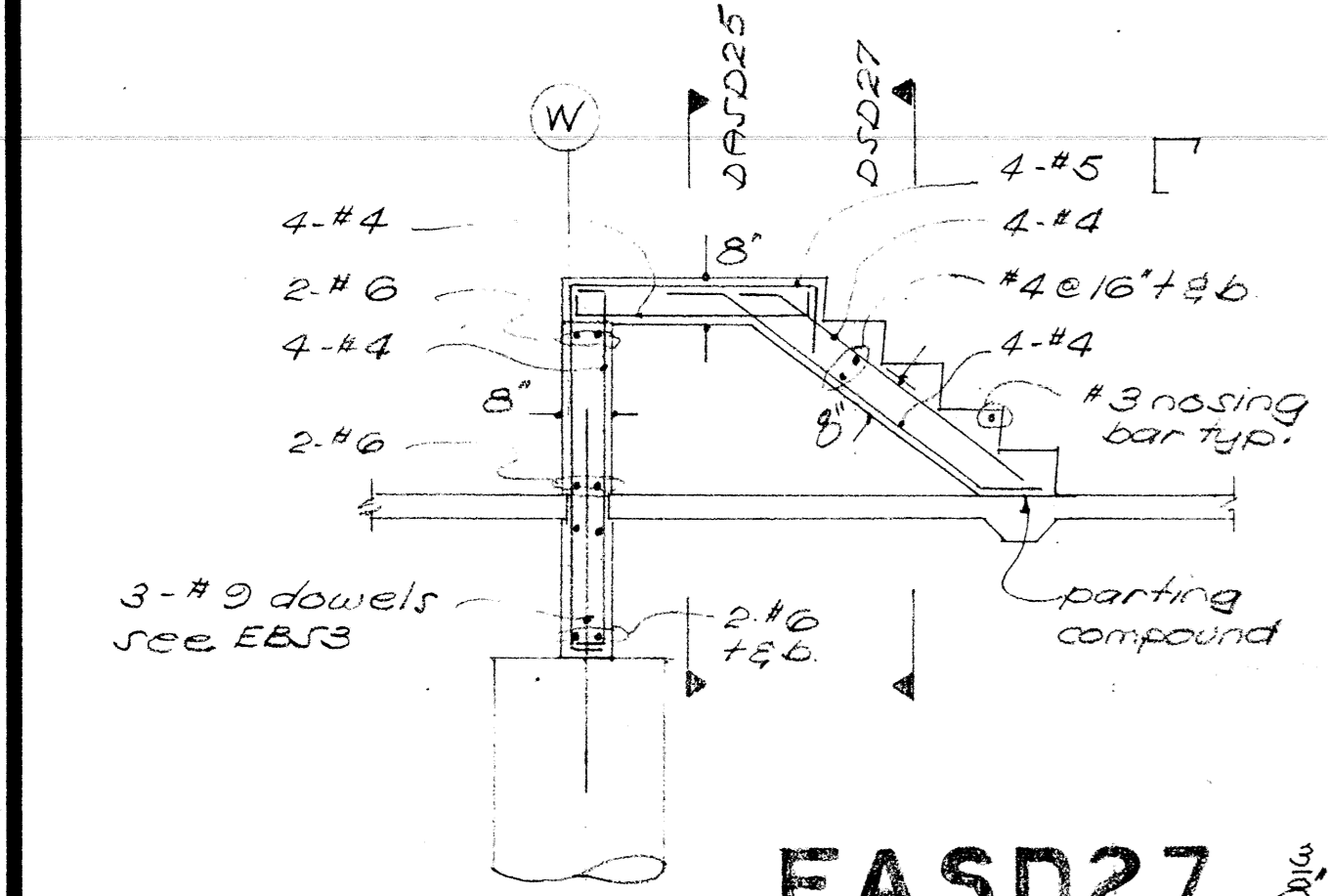


CASD27 3/4"=1'-0"

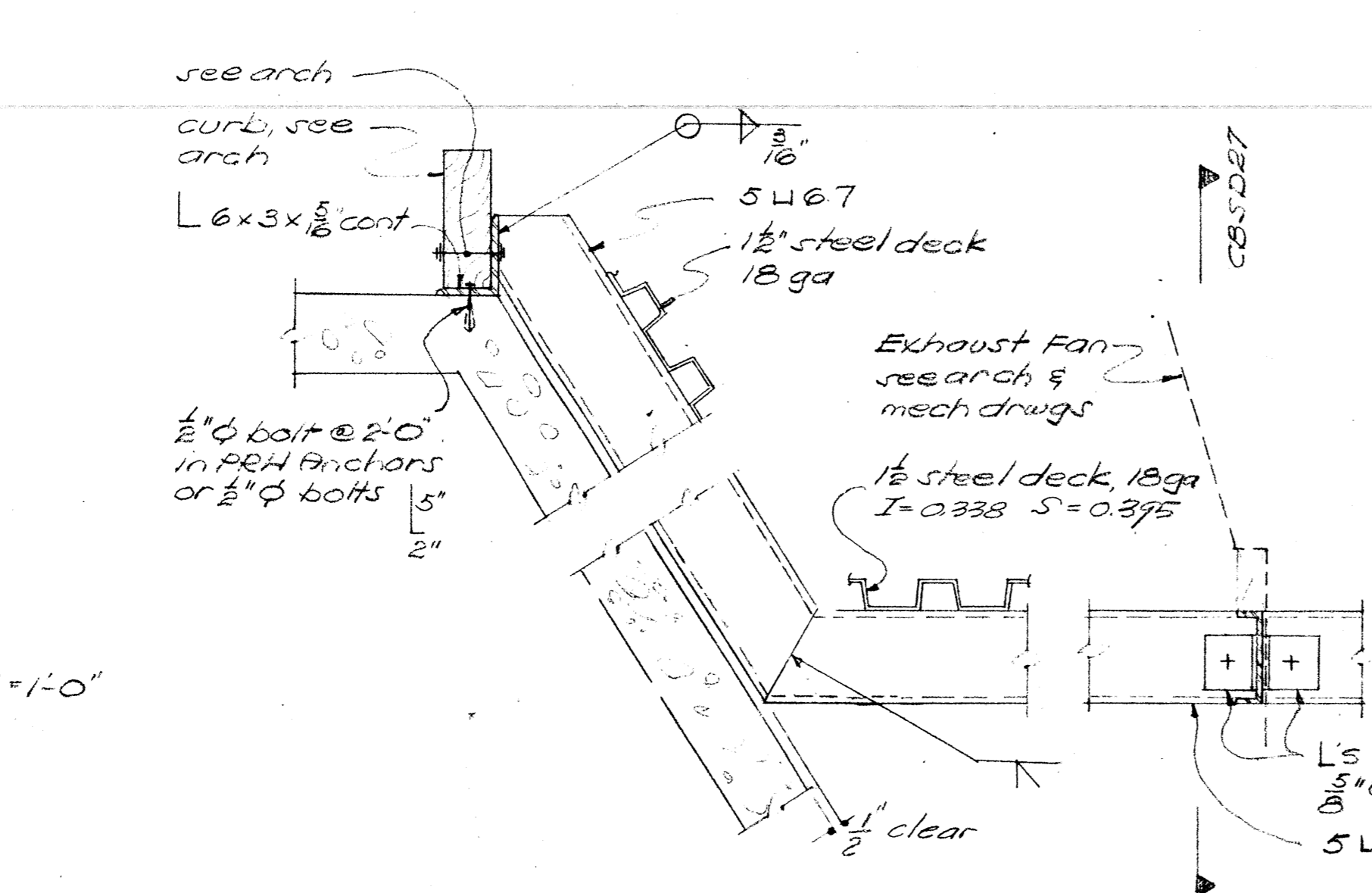


ASD27 3/4"=1'-0"

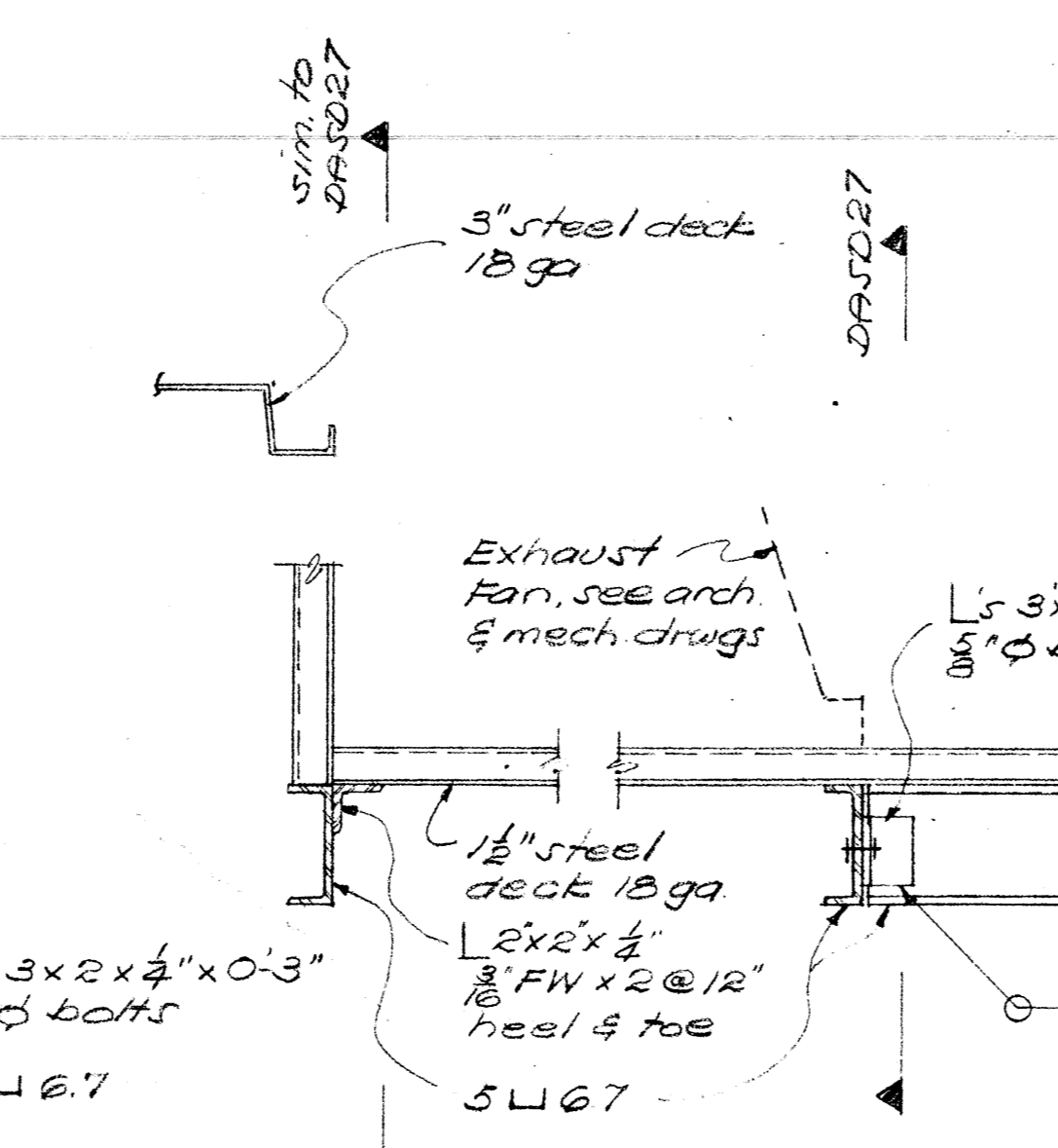
TEMPORARY SUPPORT FOR
PRECAST PANELS IN POOL



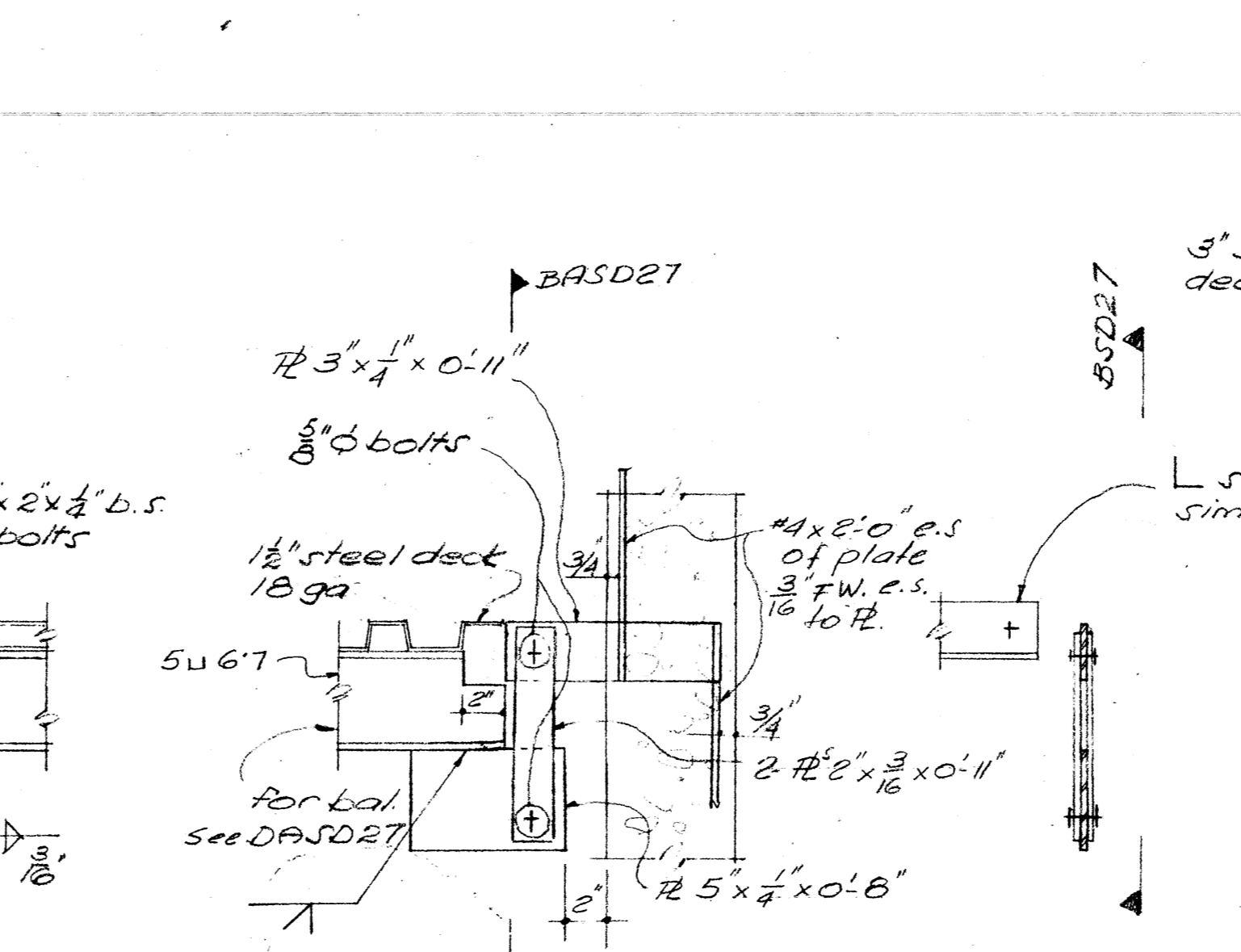
EASD27 3/4"=1'-0"



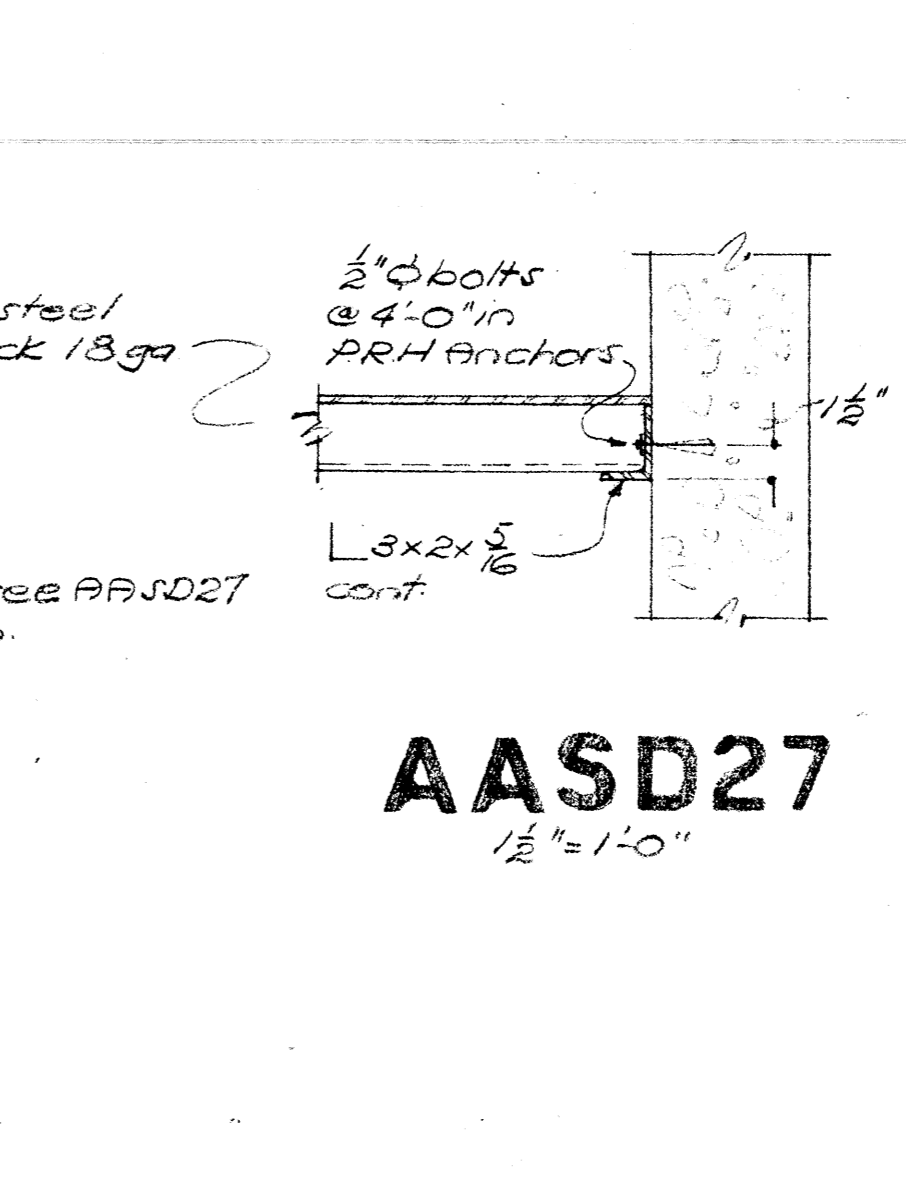
DASD27 1/2"=1'-0"



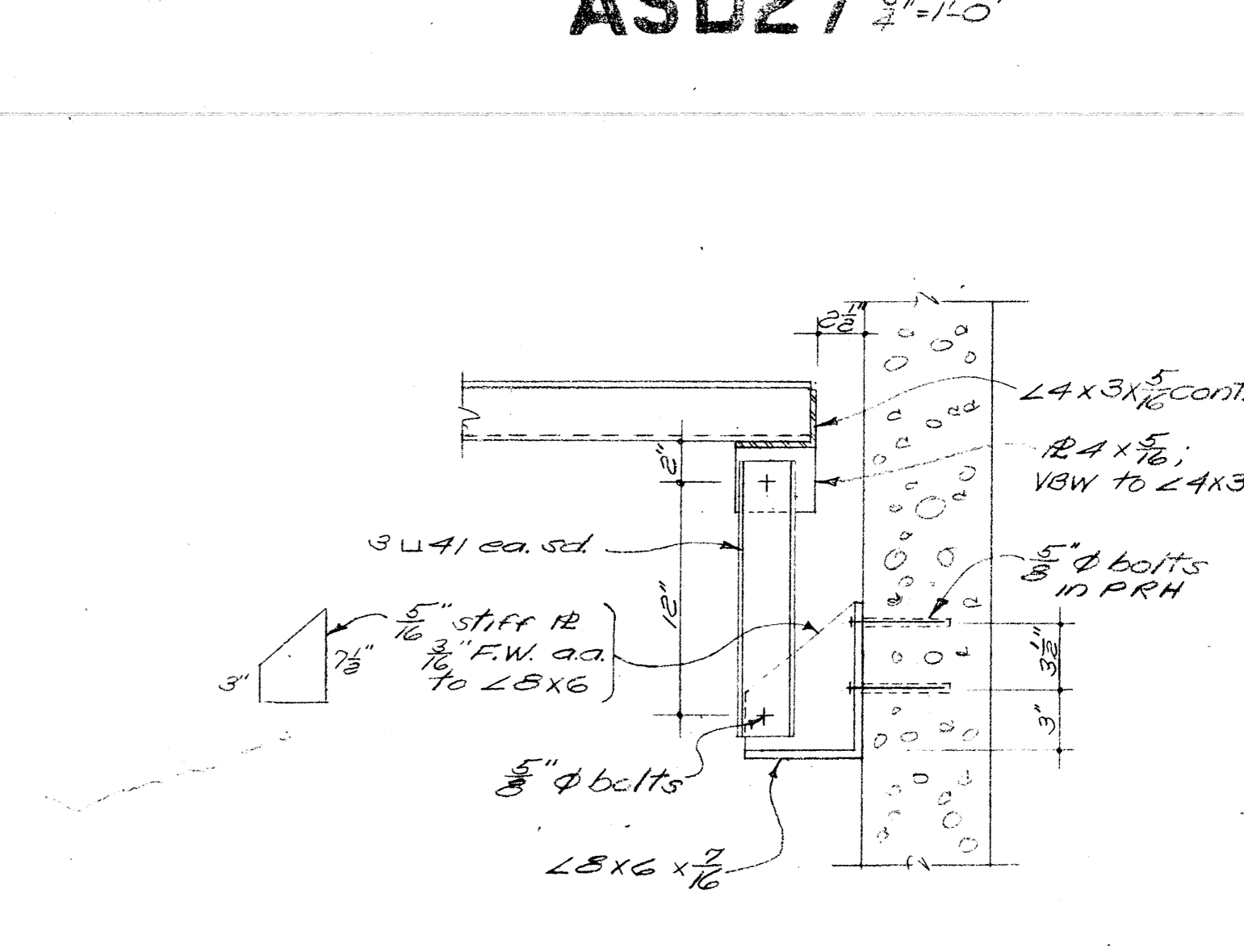
CBSD27 1/2"=1'-0"



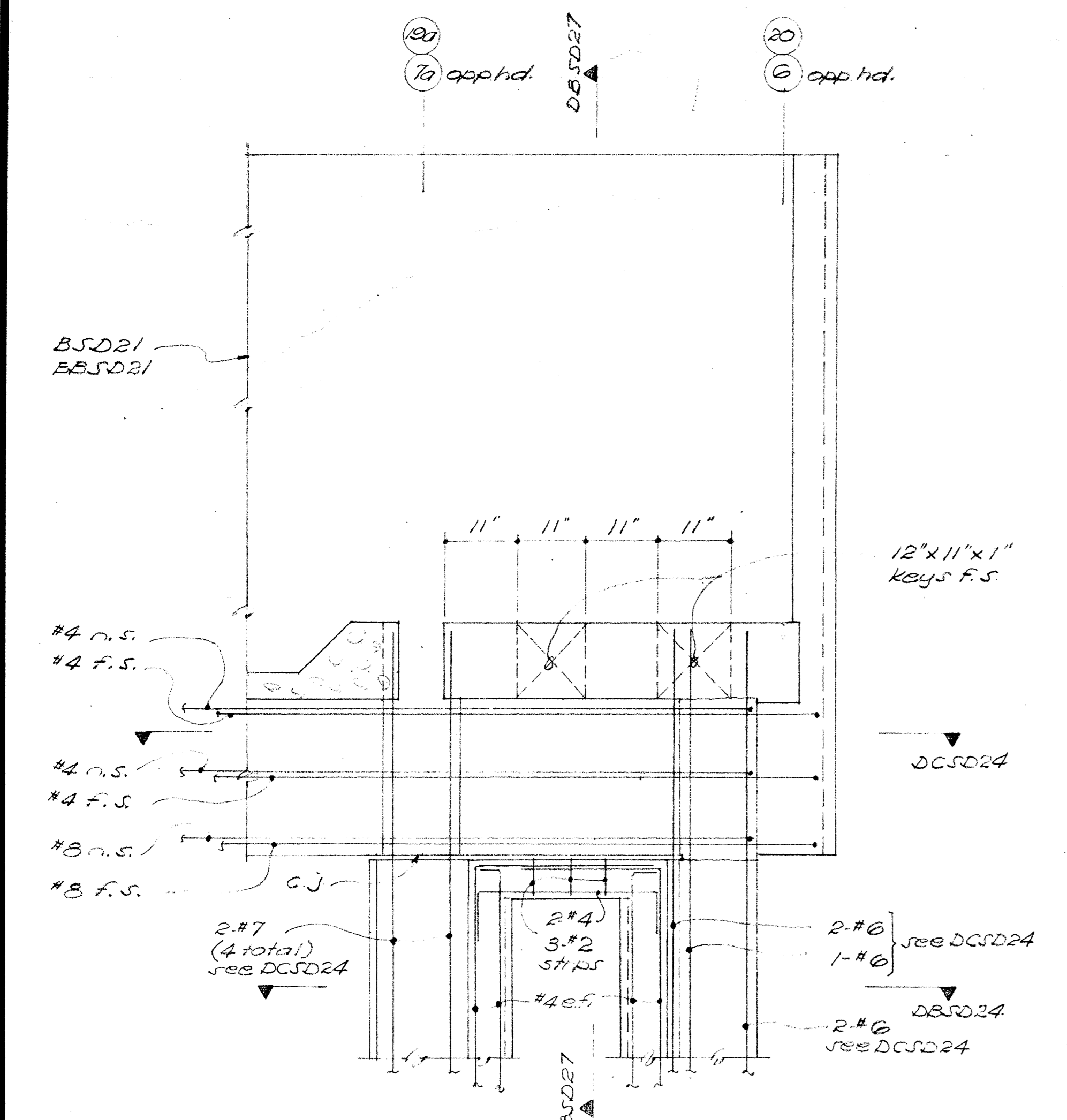
BSD27 1/2"=1'-0"



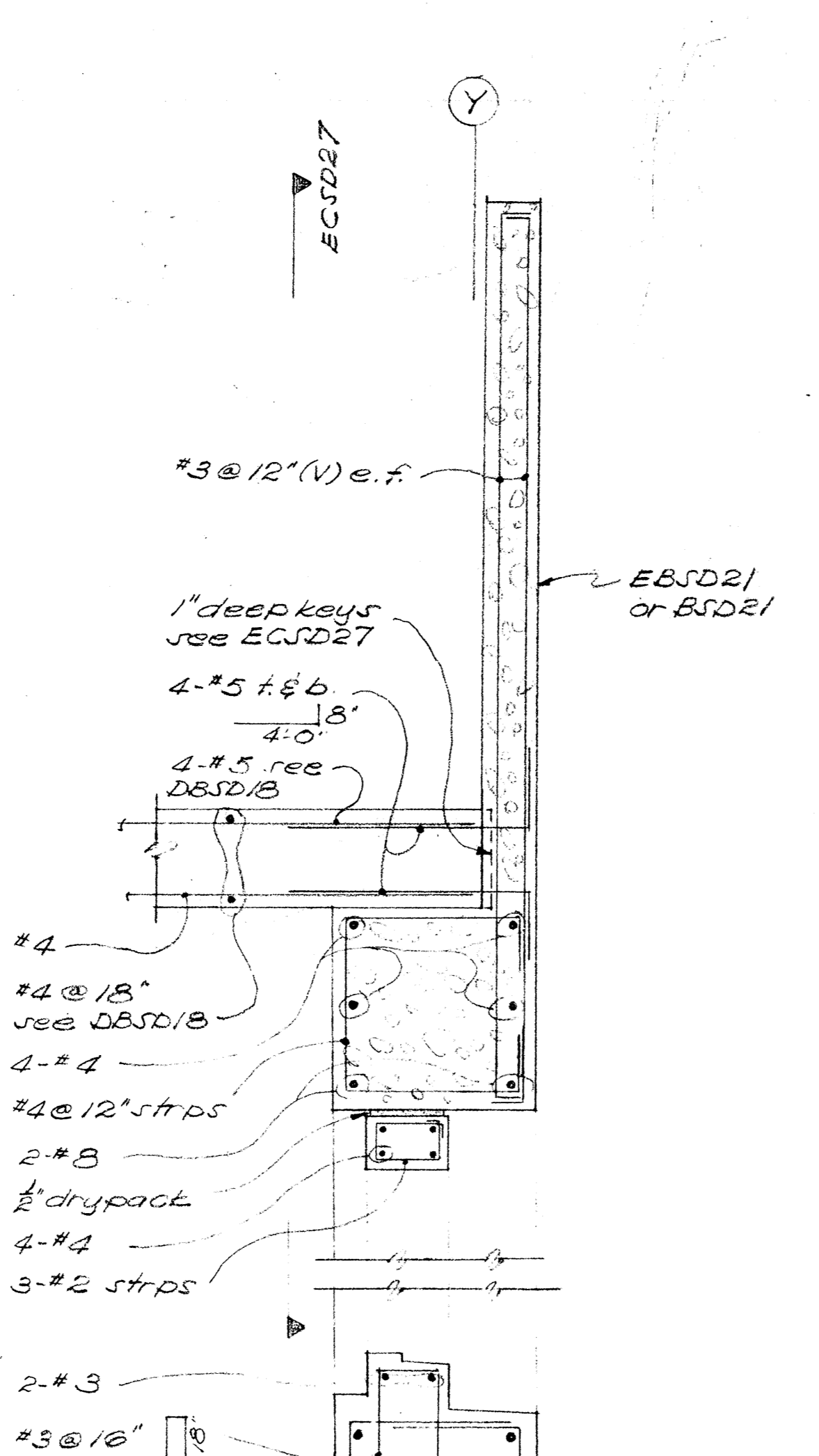
BASD27 1/2"=1'-0"



ABSD27 1/2"=1'-0"



ECSD27 3/4"=1'-0"



DBSD27 3/4"=1'-0"

JOHN CARL WARNECKE AND ASSOCIATES
ARCHITECTS AND PLANNING CONSULTANTS
61 NEW MONTGOMERY STREET SAN FRANCISCO

COLLEGE OF SAN MATEO
SAN BRUNO CALIFORNIA

COLLEGE OF SAN MATEO
SAN BRUNO CALIFORNIA

SCALE AS SHOWN	JOB NO.	D.B.	CHECK BY	DATE	NO.	REVISION DESCRIPTION	DATE APPROVED
1/4"=1'-0"	1004	PAPP					
SD27							
OF 21 SHEETS REVISION NO.							