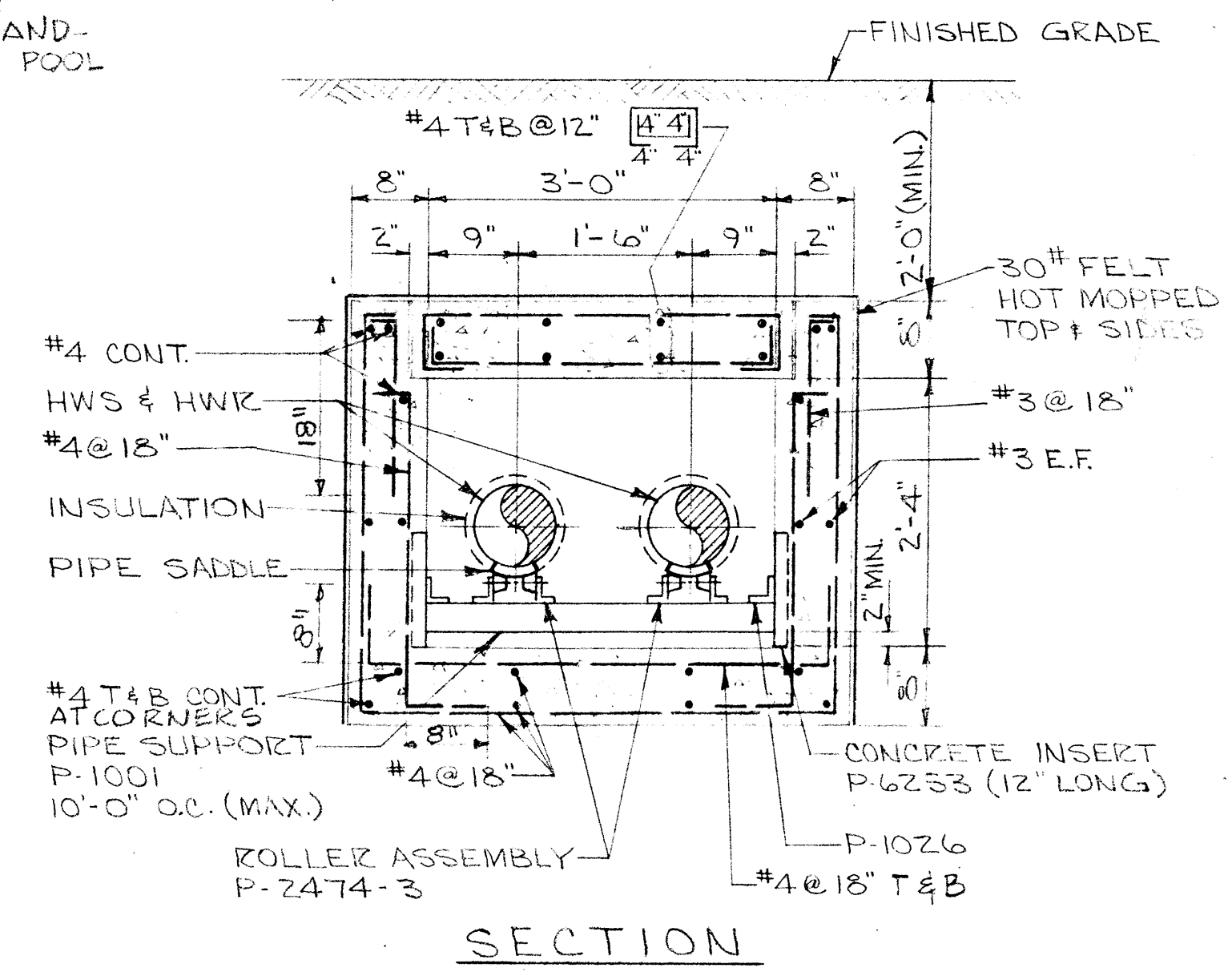


1<sup>ST</sup> LEVEL - FLOOR PLAN  
SCALE: 1/8" = 1'-0"

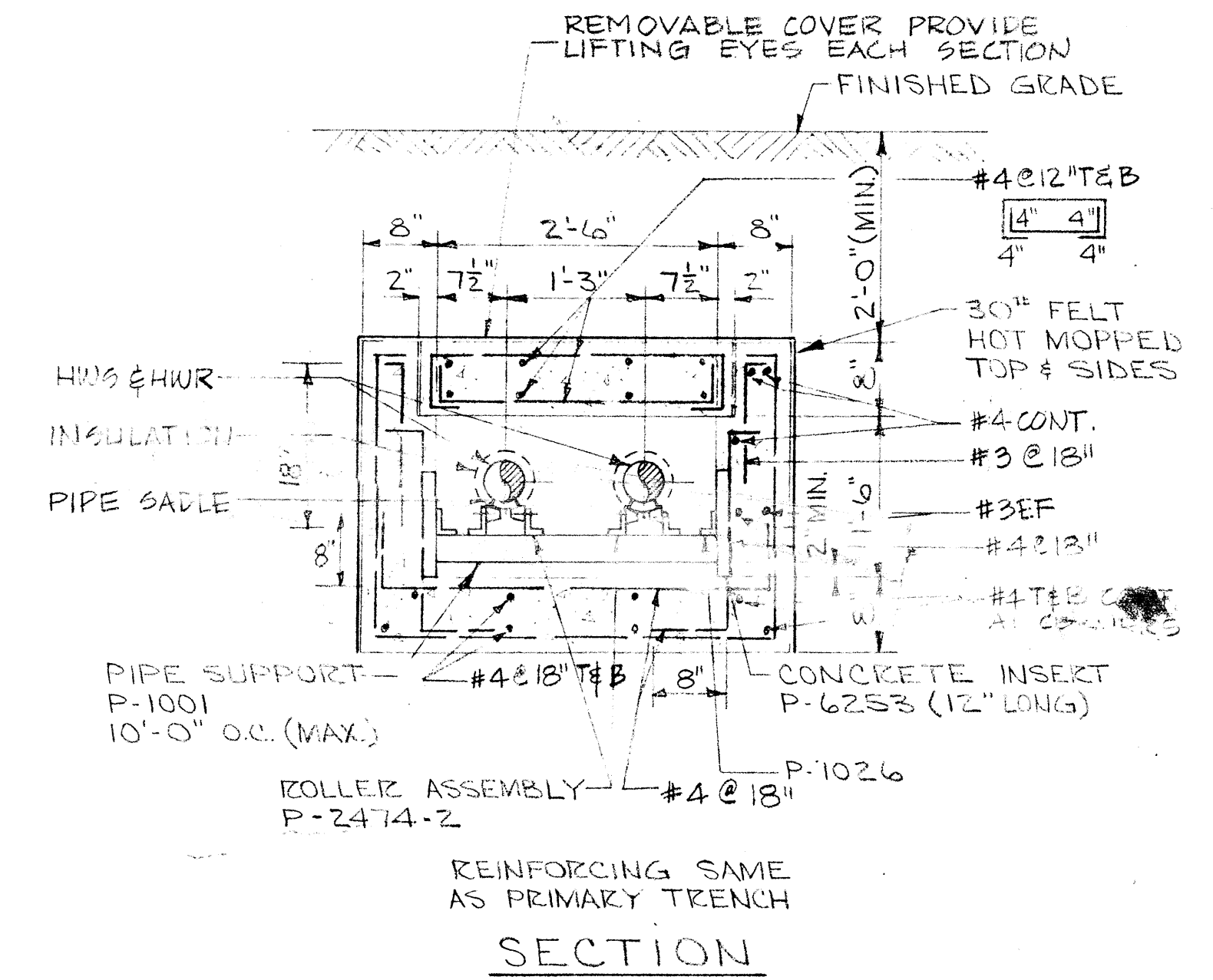
GENERAL NOTES

1. SEE ARCHITECTURAL REFLECTED CEILING PLANS FOR EXACT LOCATION OF GRILING DIFFUSERS AND REGISTERS
2. FIRE DAMPERS SHALL BE INSTALLED WHERE SHOWN AND/OR REQUIRED, AT ALL DUCT SHAFTS AND FLOOR SLAB PENETRATIONS AND IN ALL DUCTS PENETRATING WALL AND HAVING OUTLETS IN THE FOLLOWING ROOMS: ALL ROOMS ON 1<sup>ST</sup> LEVEL EXCEPT ROOMS 1, 7, 9, 12, 14 & 22; ROOMS 100A, 100B & 130. PROVIDE A.I.C.S. IN DUCTS.
3. SEE COIL SCHEDULE ON DWG. M-3 FOR PIPE SIZES OF RUNOUTS TO COILS.
4. INTERNALLY INSULATE ALL DUCTS AND PLENUMS ON UNITS HV-1D THRU HV-10D, HV-1E, EP-1D THRU EP-4D, EP-6D THRU EP-8D AND EP-1E
5. ALL DUCTWORK ON EF-5D EXHAUSTING SOUTH HALF OF 1<sup>ST</sup> LEVEL AND ALL DUCTWORK ON EF-9D THRU EF-12D SHALL BE STAINLESS STEEL.
6. HV-9D, HV-10D, EF-1D THRU EF-4D, EF-7D AND EF-8D SHALL BE SUSPENDED THRU VIBRATION ISOLATORS FROM STRUCTURAL MEMBER. SEE STRUCT. DWGS.
7. FOR DUCTS THRU ROOF OF GYMNASIUM AND MULTIPURPOSE SEE DETAIL 19 ON DWG. D-4.
8. INSTALL AIR VENTS AT HIGH POINTS OF HWS & HWK PIPING AND AT OTHER POINTS AS REQUIRED.

NOTE  
PIPING & TRENCH SHOWN THIS MANNER SHALL BE INSTALLED AS A PART OF HAND-BALL CRT. ALTERNATE IF SWIMMING POOL ALTERNATE IS NOT ACCEPTED.



SECTION 1  
PRIMARY UTILITY TRENCH  
SCALE: 3/8" = 1'-0"

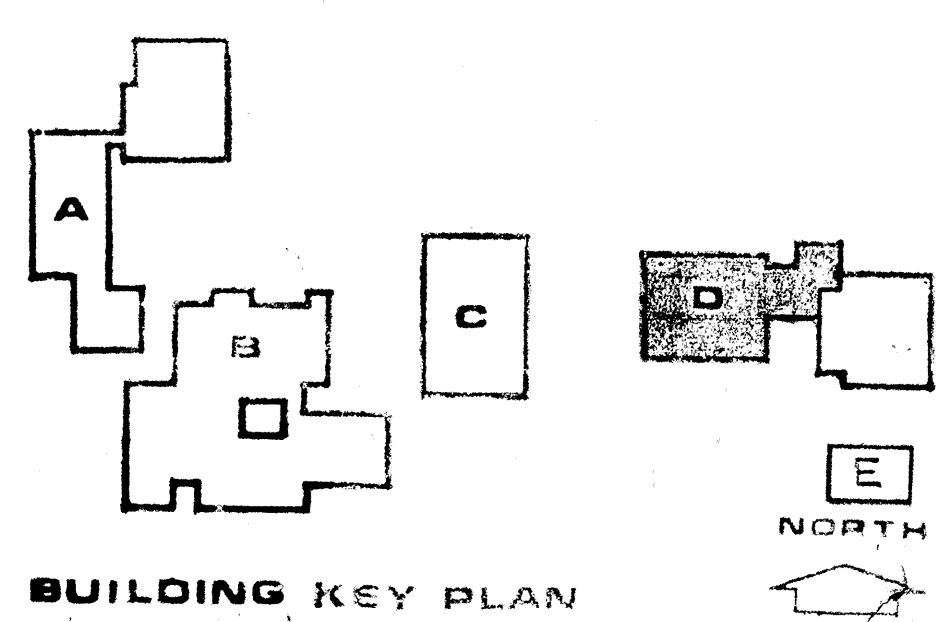


SECTION 2  
SECONDARY UTILITY TRENCH  
SCALE: 3/8" = 1'-0"

- NOTES: 1. SUPPORT MEMBER NUMBERS REFER TO "UNISTKUT" CATALOG NUMBERS FOR QUALITY REFERENCE ONLY.  
2. PROVIDE 18" x 16 GA. GALV. STEEL SLEEVE AT ALL SUPPORTS & GUIDES. 1/2" (MIN.) CLEARANCE BETWEEN GUIDE & SLEEVE.

JOHN CARL WARNECKE F.A.S.A.  
**JOHN CARL WARNECKE AND ASSOCIATES**  
ARCHITECTS AND PLANNING CONSULTANTS  
61 NEW MONTGOMERY STREET  
SAN FRANCISCO

BUILDING ID: PHYSICAL EDUCATION  
MECHANICAL 1<sup>ST</sup> LEVEL PLAN  
**COLLEGE OF SAN MATEO**  
SAN BRUNO CALIFORNIA  
SCALE: AS SHOWN  
JOB NO. 64-15  
CHECK BY: G.R.K.  
DATE: FEB 10, 1967  
SHEET NUMBER  
**MDI**  
OF 3 SHEETS  
REVISION NO.



NO.	REVISION DESCRIPTION	DATE	APPROVED