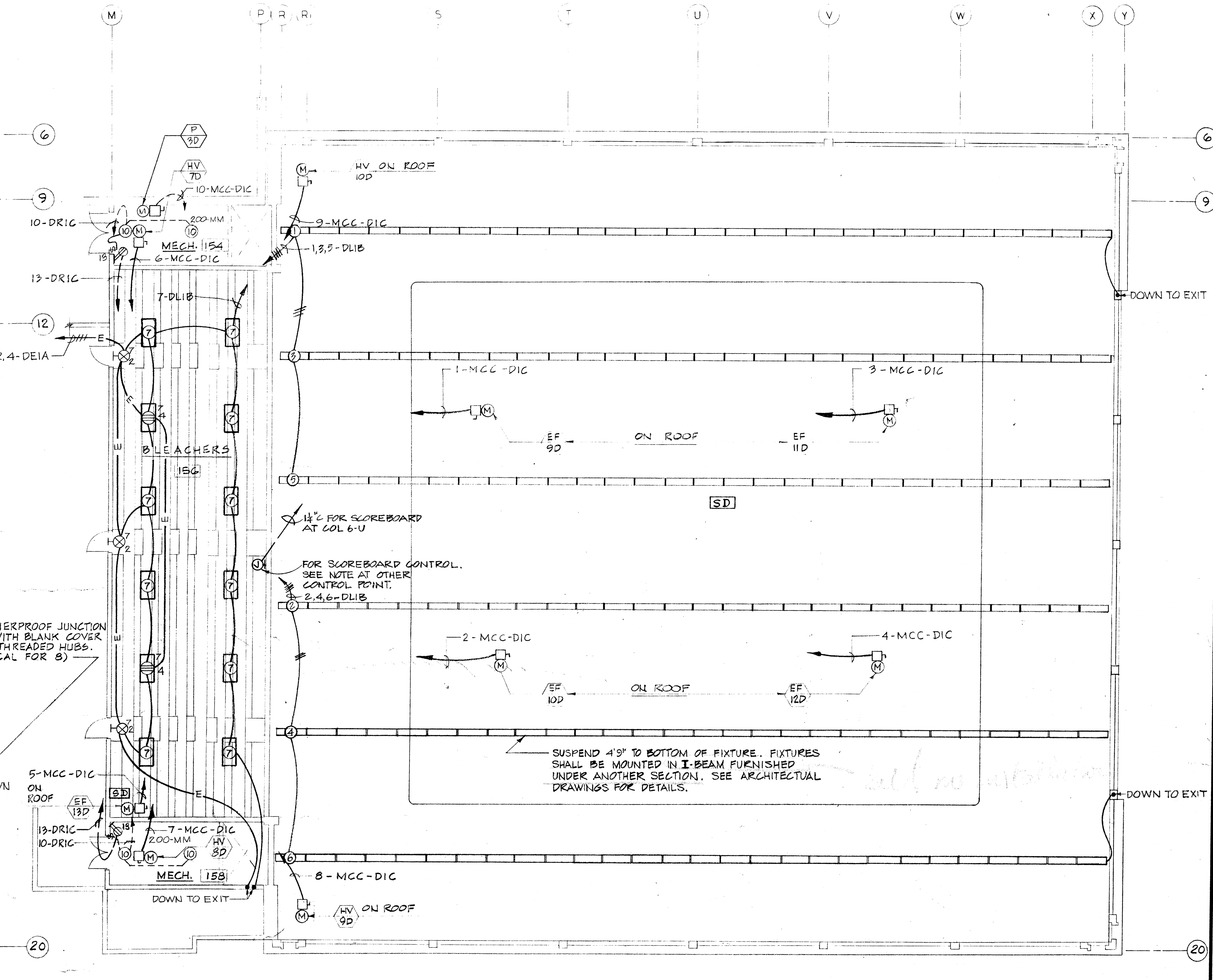
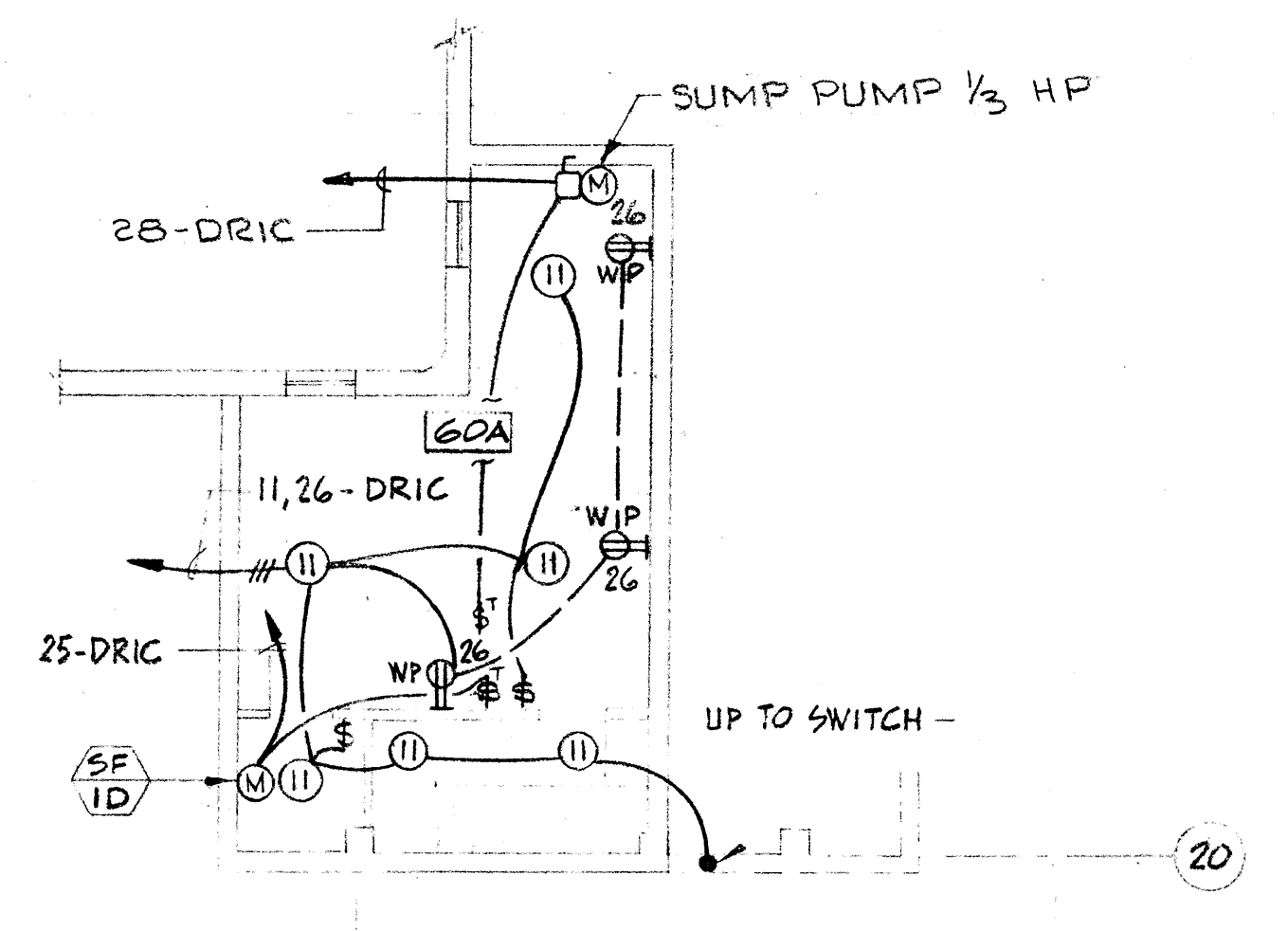


LIGHTING & MISCELLANEOUS - POOL PLAN - LOWER PART
SCALE 1/8" = 1'-0"



LIGHTING & MISCELLANEOUS - POOL PLAN - UPPER PART
SCALE 1/8" = 1'-0"

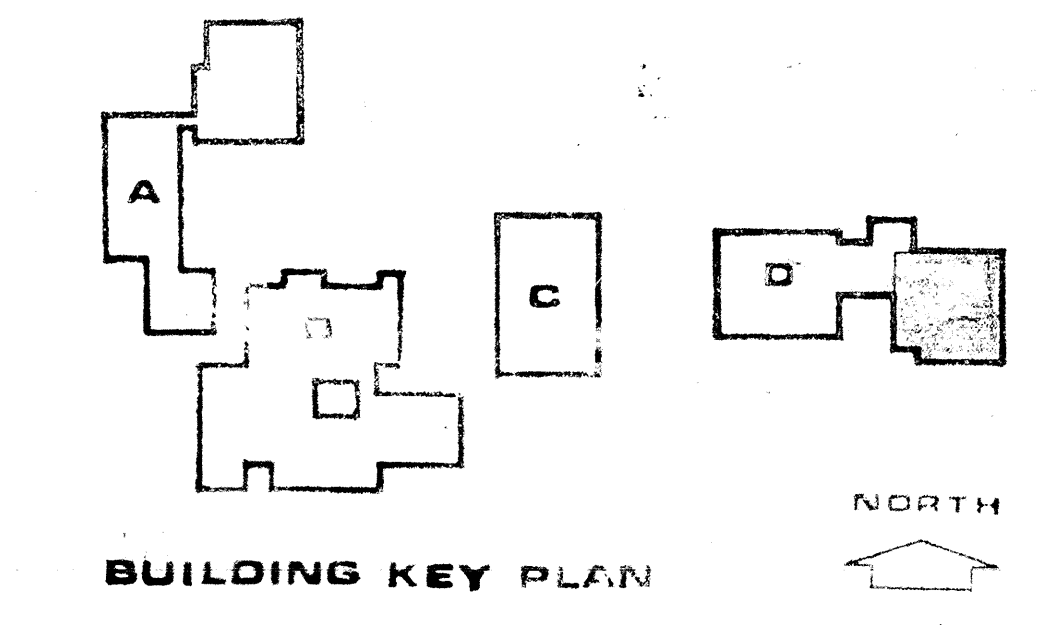
- POOL NOTES:
1. ALL METALLIC EQUIPMENT SHALL BE SUITABLY BONDED TO THE STRUCTURAL REINFORCING STEEL AS REQUIRED UNDER THE GROUNDING SECTIONS OF THE NATIONAL ELECTRIC CODE.
 2. PROVIDE 3/4" SCHEDULE 40 BRASS PIPE WITH COUPLING FROM UNDERWATER TO FIRST JUNCTION BOXES. CABLE FROM FIXTURES TO FIRST JUNCTION BOXES TO BE PROVIDED WITH FIXTURE.
 3. PROVIDE GROUNDING CONDUCTORS AS REQUIRED BY NATIONAL ELECTRIC CODE IN ALL CONDUITS.



UNDERWATER VIEWING PLAN
SCALE 1/8" = 1'-0"

- NOTES:
1. SEE NOTES 1 TO 3 ON SHEET E-D1

SCHEDULE OF LIGHTING FIXTURES	
LOCATION	TYPE
OVER POOL	2/40-D
BLEACHERS	4/40-J2
UNDERWATER FIXTURES	SEE SPECIFICATIONS
EXITS	2/29-Q2
ALL OTHERS EXCEPT NOTED ON PLANS	4/40-A



SCALE AS SHOWN	JOB NO.	CHECK BY	DATE	REVISION DESCRIPTION	DATE	APPROVED
44-1-B	44-1-B	AW, RA	10/27			

SHEET NUMBER
E-103
OF 5 SHEETS
REVISION NO.