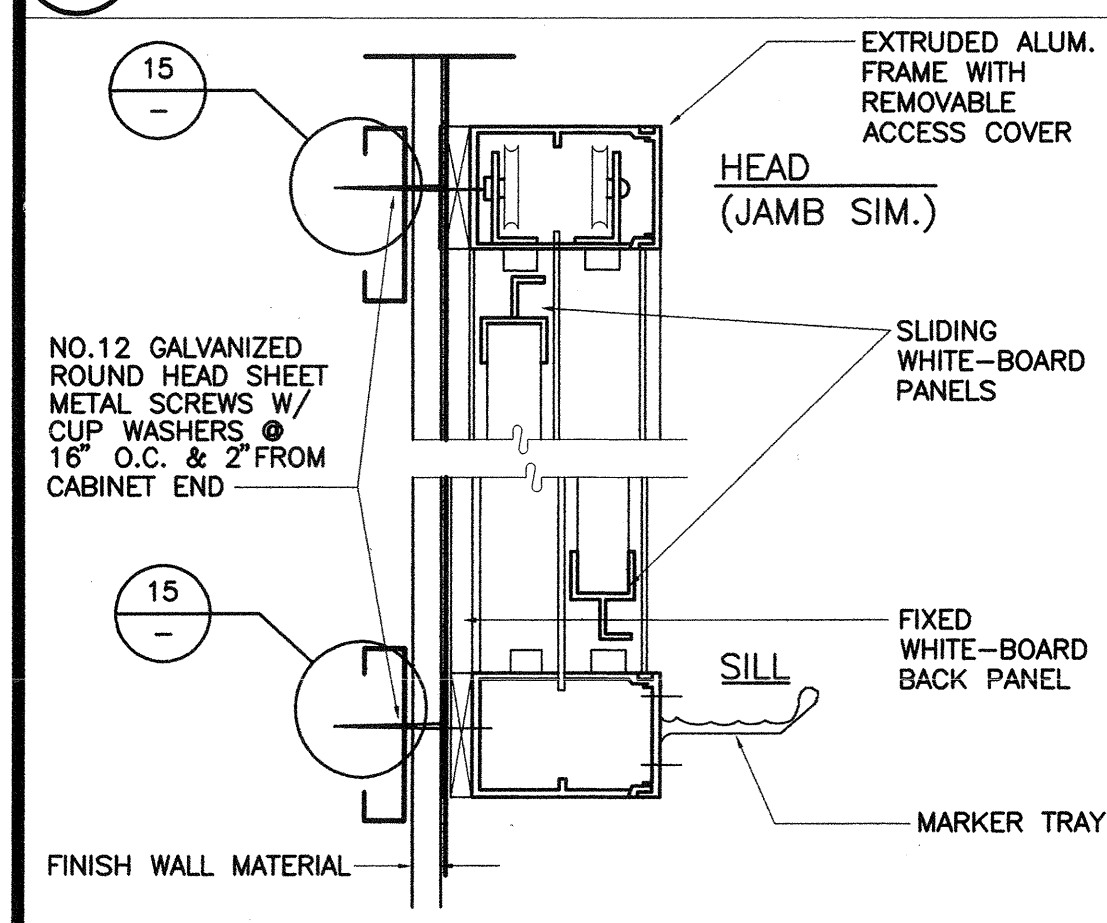
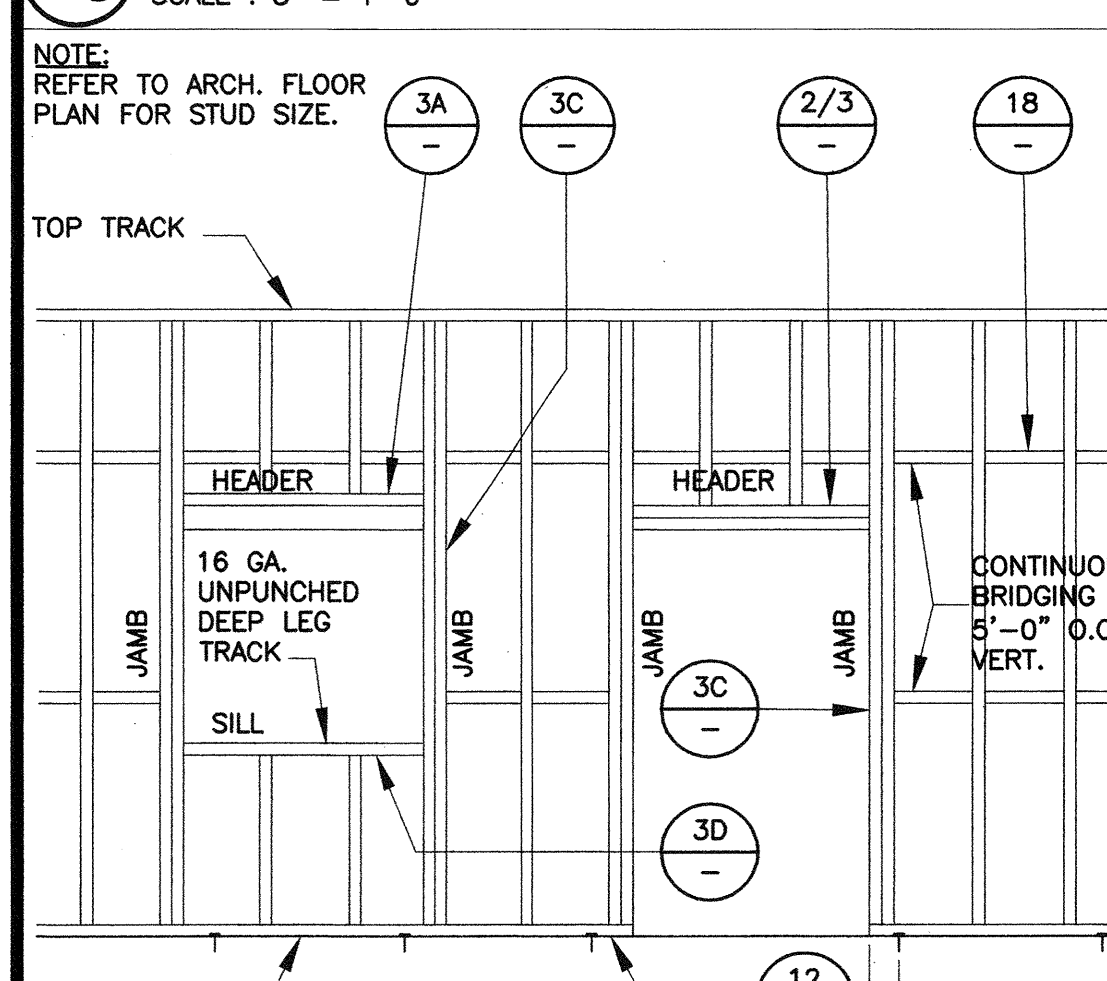


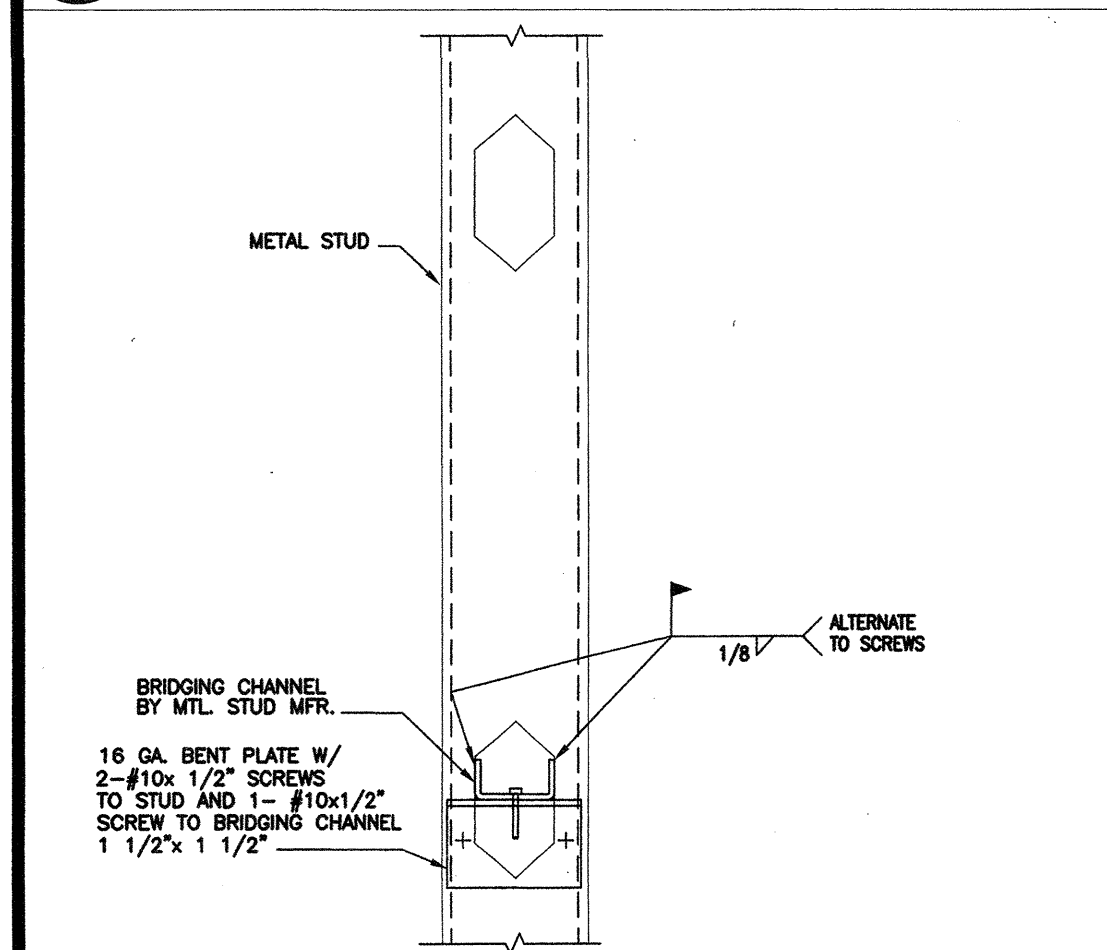
**13 Operable Wall Head**  
SCALE: 3" = 1'-0"



**16 Chalkboard Backing/ Tackboard Backing Sim.**  
SCALE: 3" = 1'-0"

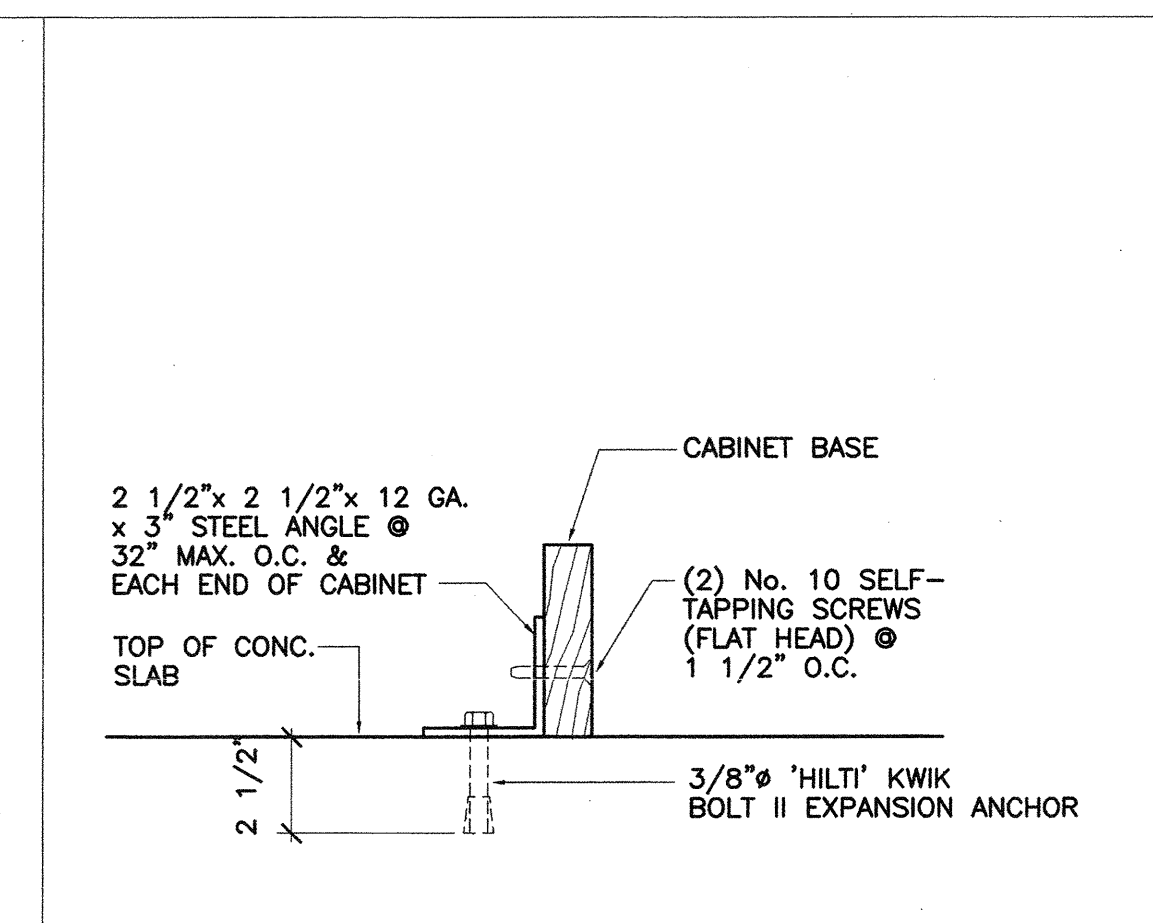


**17 Stud Wall Framing**  
SCALE: N.T.S.

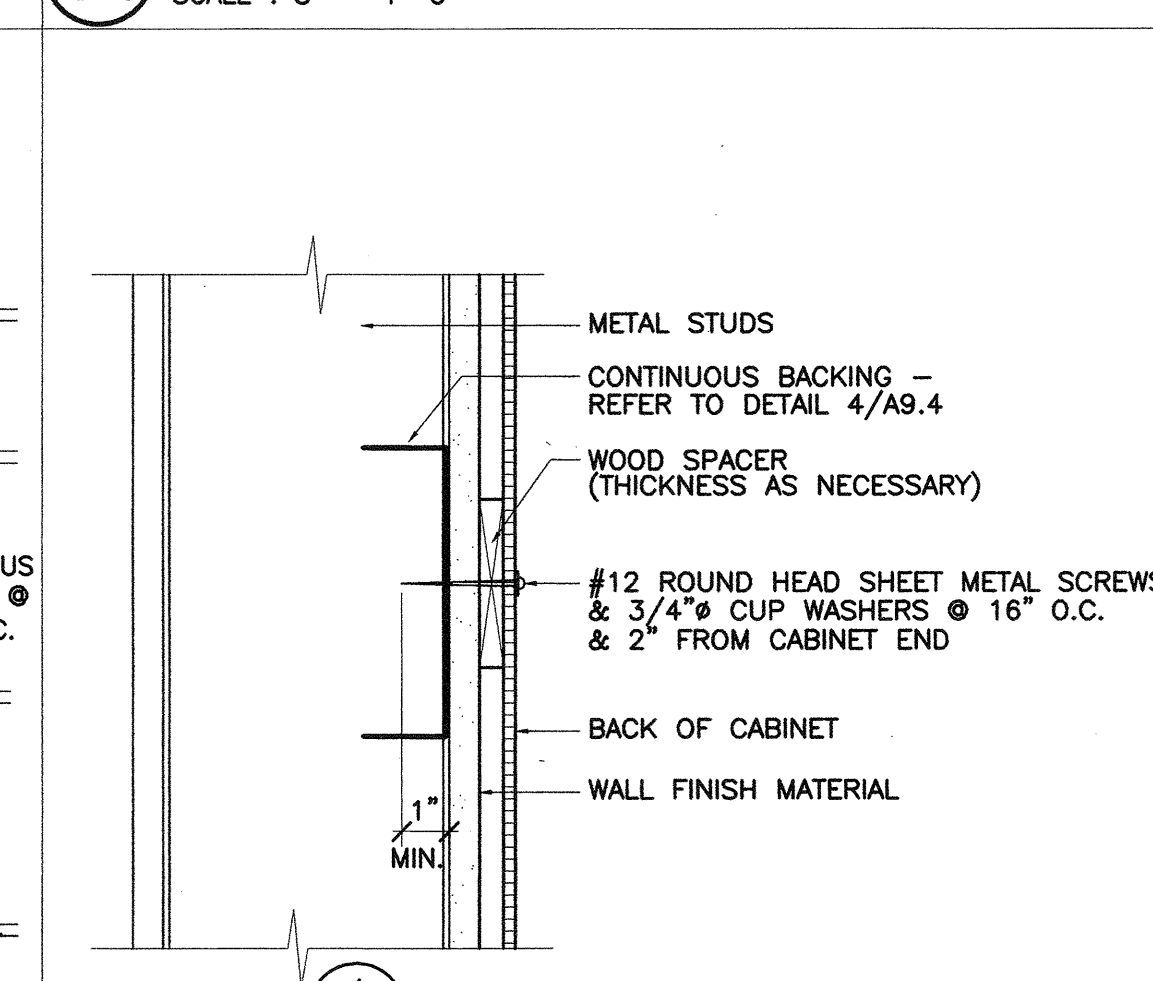


**18 Metal Stud Bridging**  
SCALE: N.T.S.

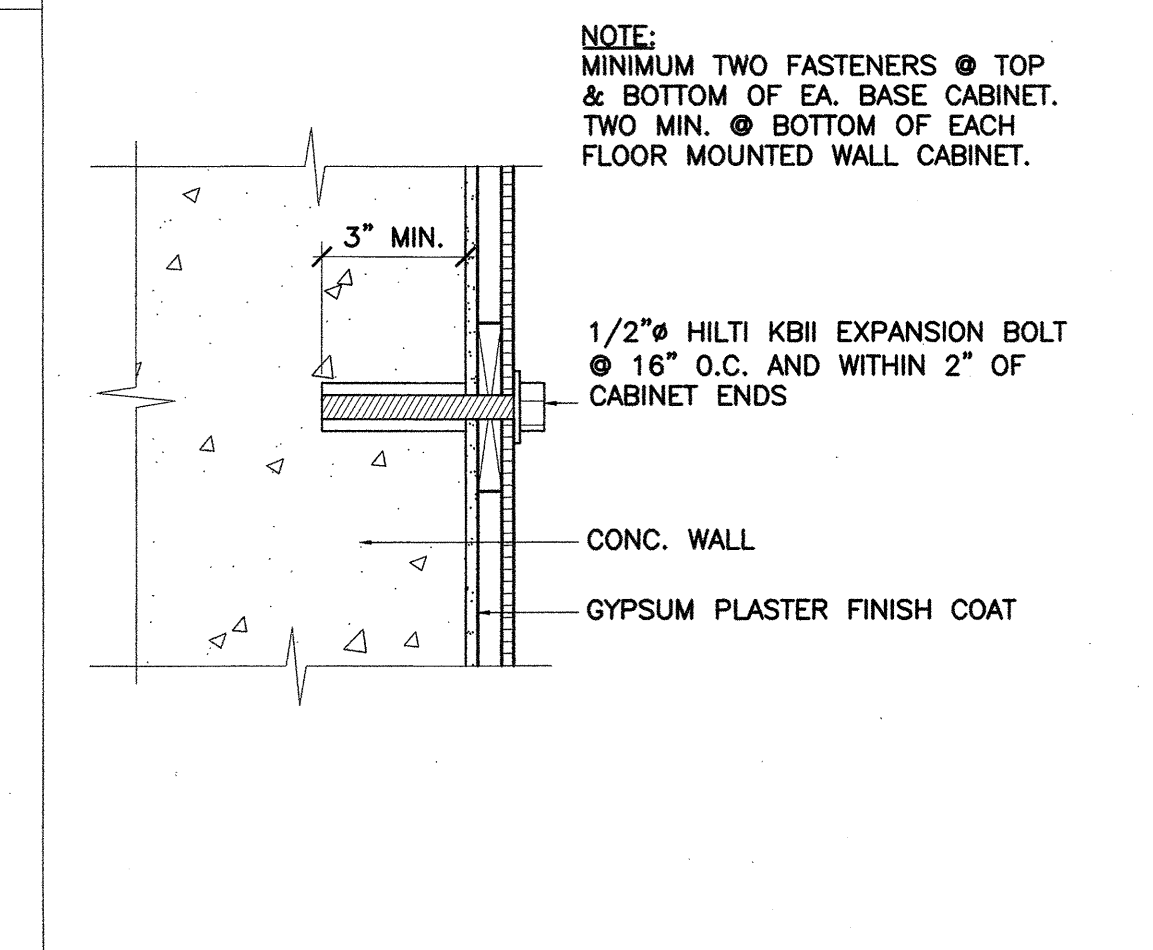
**14 Cabinet Anchorage (Typ.)**  
SCALE: 3" = 1'-0"



**15 Cabinet Anchorage (Typ.)**  
SCALE: 3" = 1'-0"

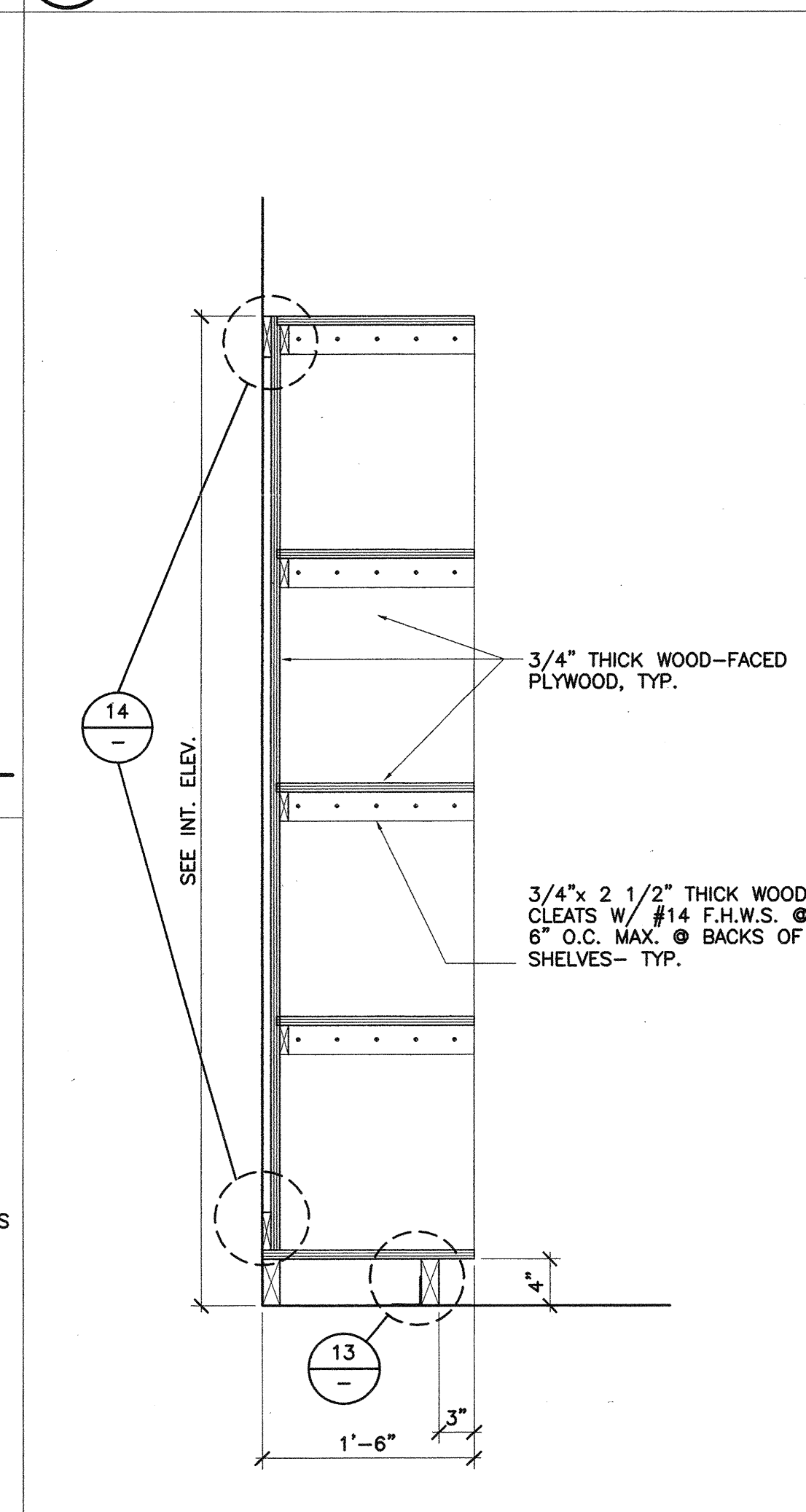


**11 Shelving**  
SCALE: 1" = 1'-0"

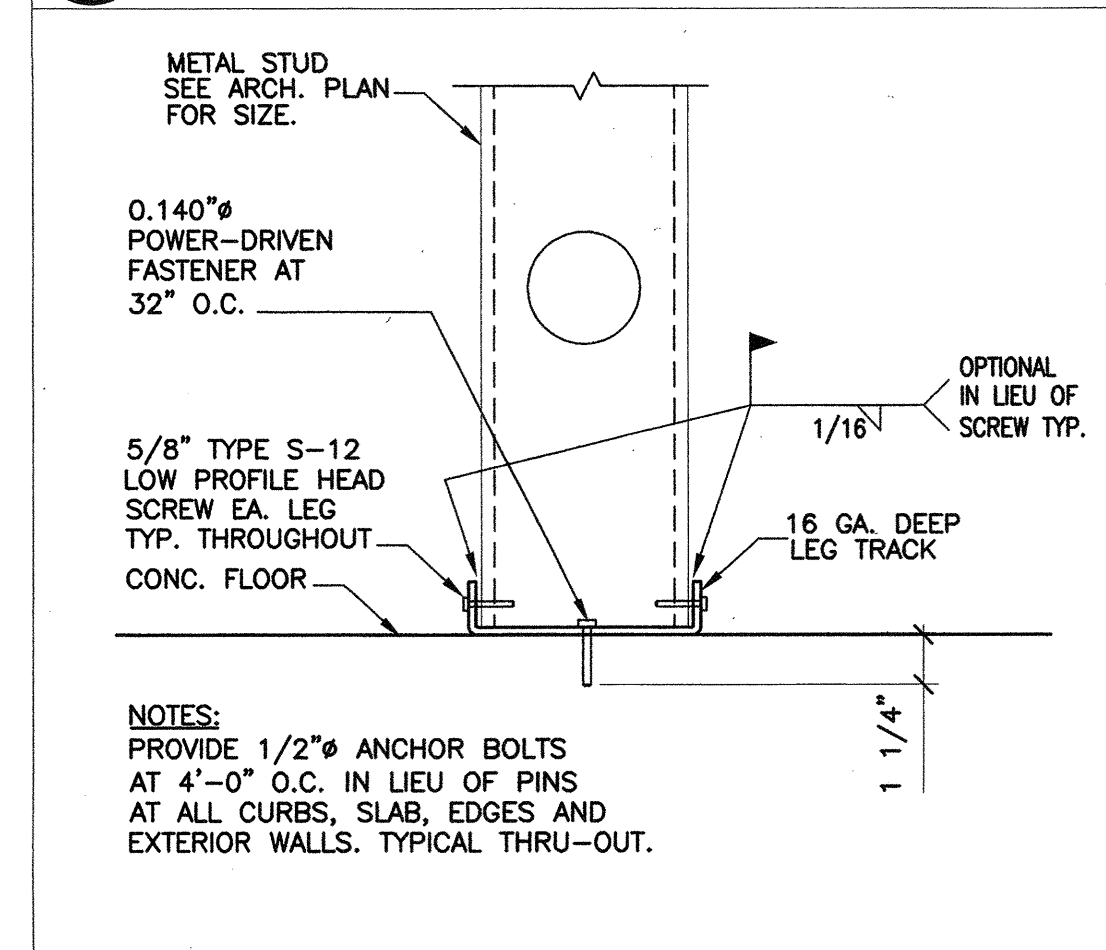


**15 Cabinet Anchorage (Typ.)**  
SCALE: 3" = 1'-0"

**10 Cabinet**  
SCALE: 1" = 1'-0"

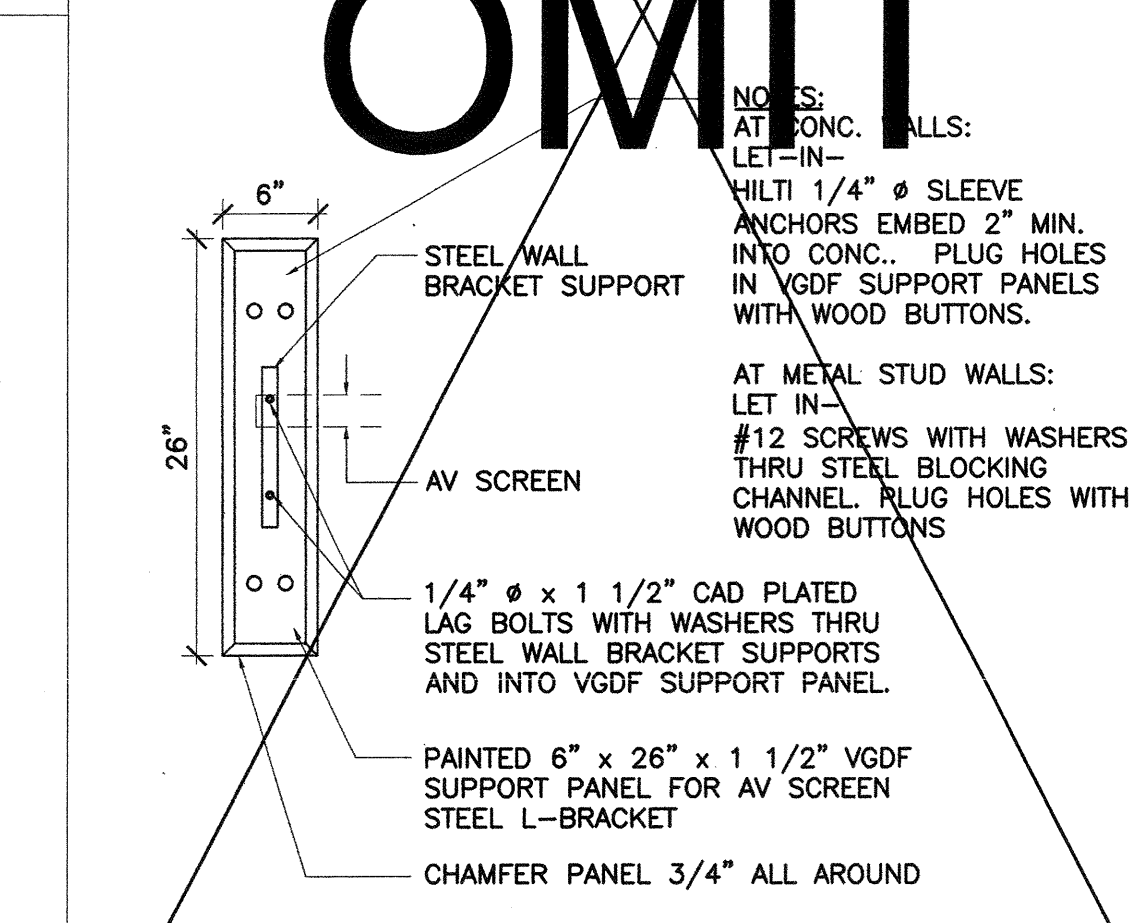


**11 Shelving**  
SCALE: 1" = 1'-0"

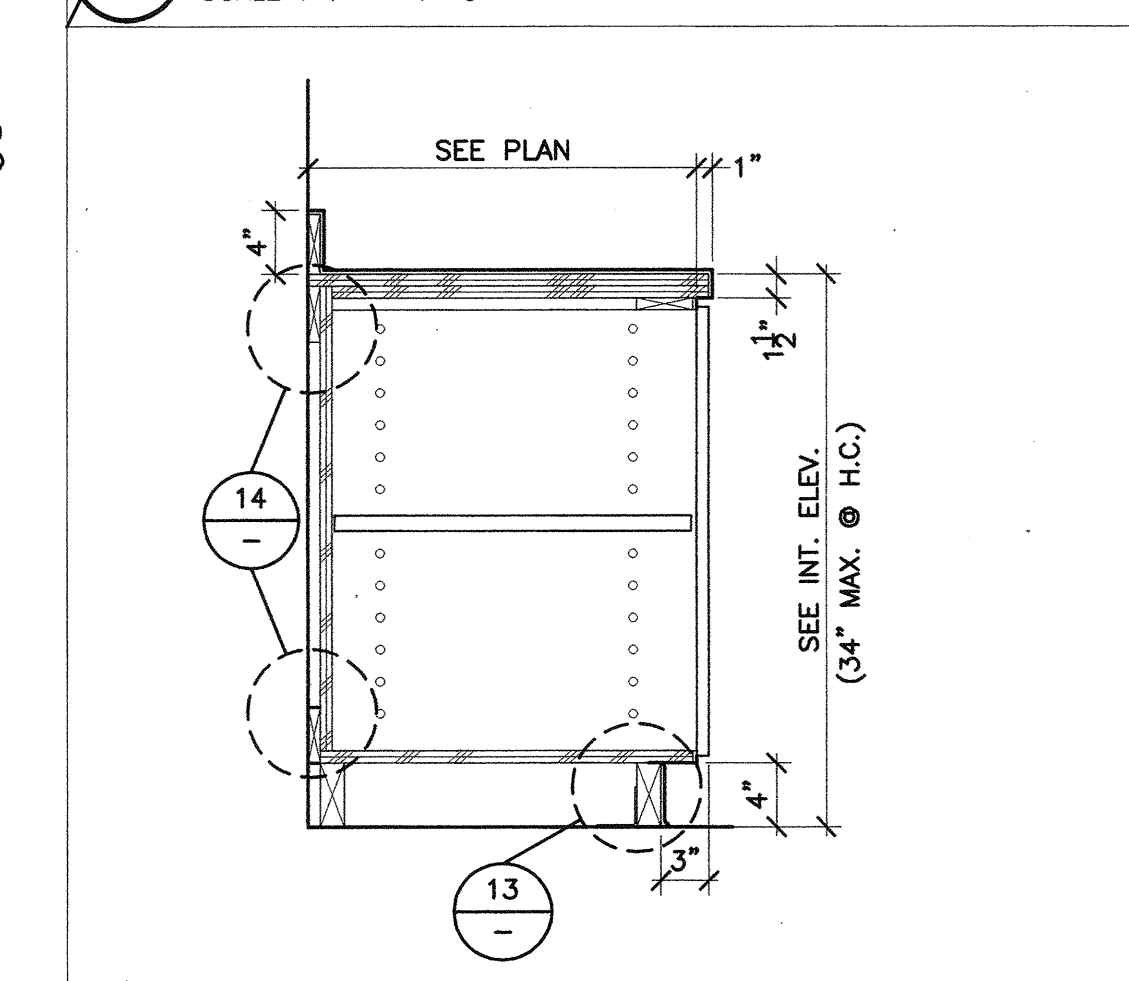


**12 Partition Anchorage**  
SCALE: N.T.S.

**6 Base Cabinet**  
SCALE: 1" = 1'-0"



**7 Elevation of VGDF Support Panel for AV Screen Steel Wall Bracket Support**  
SCALE: 1" = 1'-0"



**8 Base Cabinet**  
SCALE: 1" = 1'-0"

**METAL STUD PROPERTIES**

SIZE (D)	GAGE	A, IN <sup>2</sup>	I, IN <sup>4</sup>	S, IN <sup>3</sup>	MAX. SPAN (LENGTH)	
					INTERIOR WALL	EXTERIOR WALL
3 5/8"	20	277	361	321	15'-6"	10'-6"
	18	366	752	420	17'-0"	10'-6"
	16	453	834	515	18'-2"	11'-5"
	20	291	730	365	16'-9"	10'-5"
4"	18	384	958	479	18'-4"	11'-7"
	16	467	1,176	588	19'-8"	12'-5"
	20	362	1,693	631	22'-10"	14'-3"
6"	18	480	2,491	830	25'-2"	15'-10"
	16	595	3,068	1,023	27'-1"	17'-0"

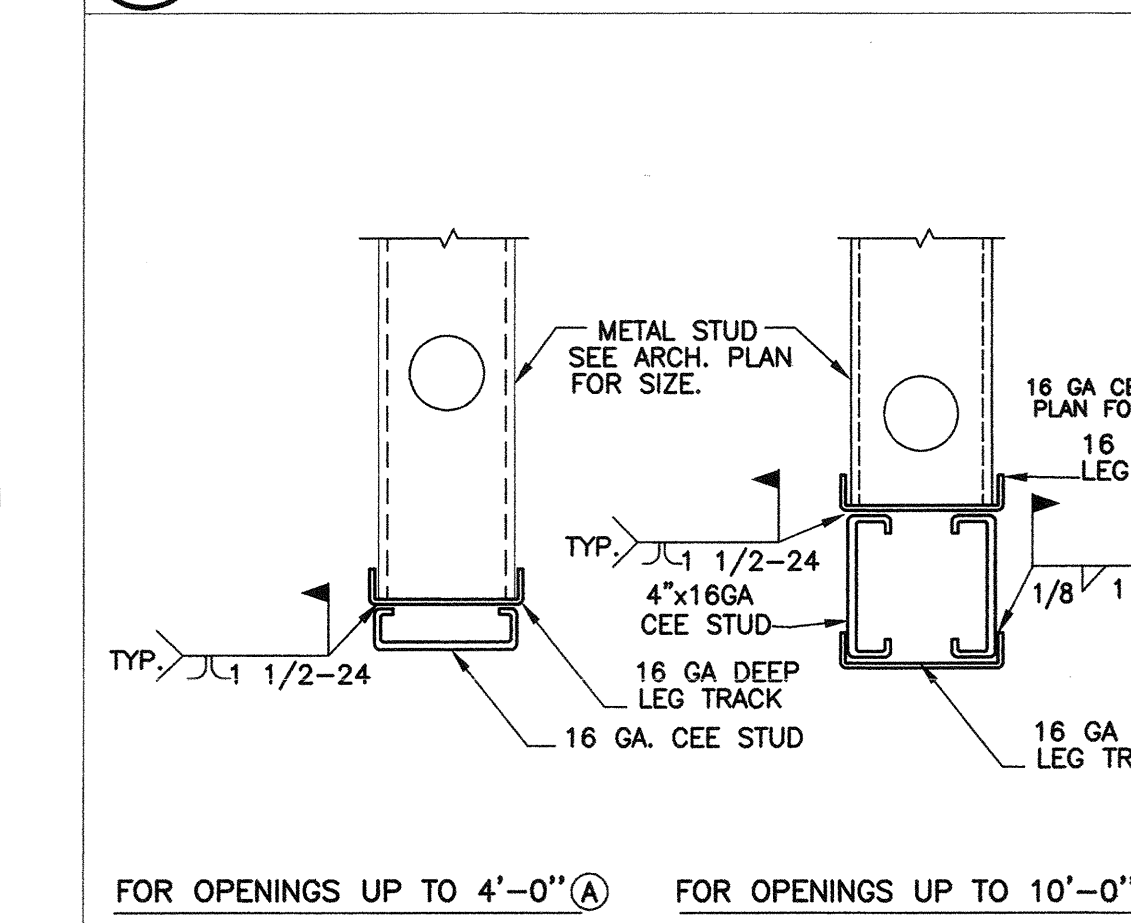
MANUFACTURER: DEMCO, 263 COWINA LANE, CITY OF INDUSTRY, CA 91744. METAL STUD SMALL CARRY ICBO REPORT CD 3403P, LATEST VERSION.

MATERIAL SPECIFICATIONS: STUDS: 18 AND 20 GA. ASTM A466, GRADE A, fy=33,000psi; 16 AND 14 GA. ASTM A446, GRADE D, fy=50,000psi; TRACKS: 16 GA. ASTM A466, GRADE D, fy=50,000psi.

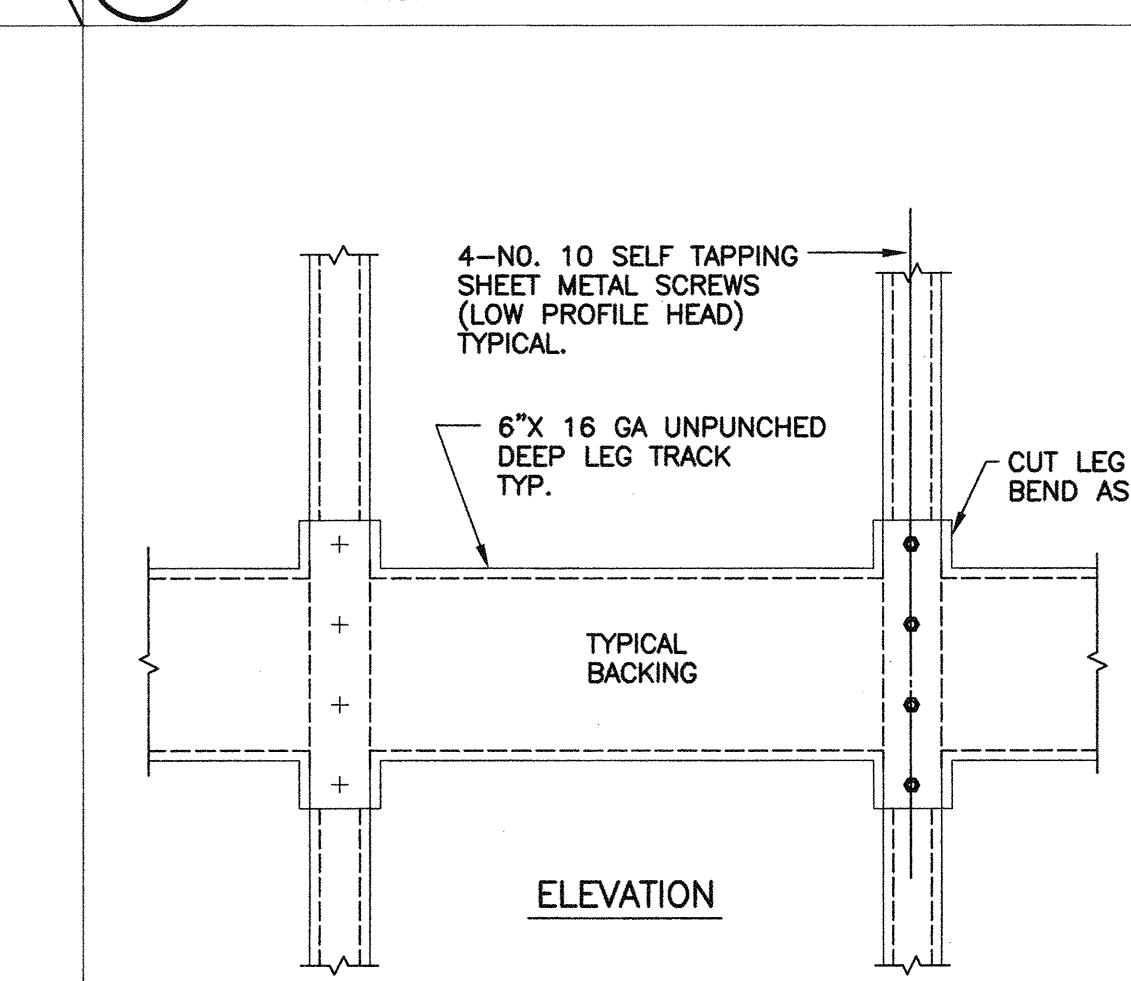
FASTENERS: METAL TO METAL: #10 x 1/2" PAN HEAD TDS SCREWS; METAL TO WOOD: #10 x 1 1/2" ROUND HEAD WOOD SCREWS; METAL TO CONCRETE: 3/8" HILTI KWIK BOLT 1 EXPANSION ANCHOR (ICBO REPORT NO. 4827).

**9 Metal Stud Properties**  
SCALE: N.T.S.

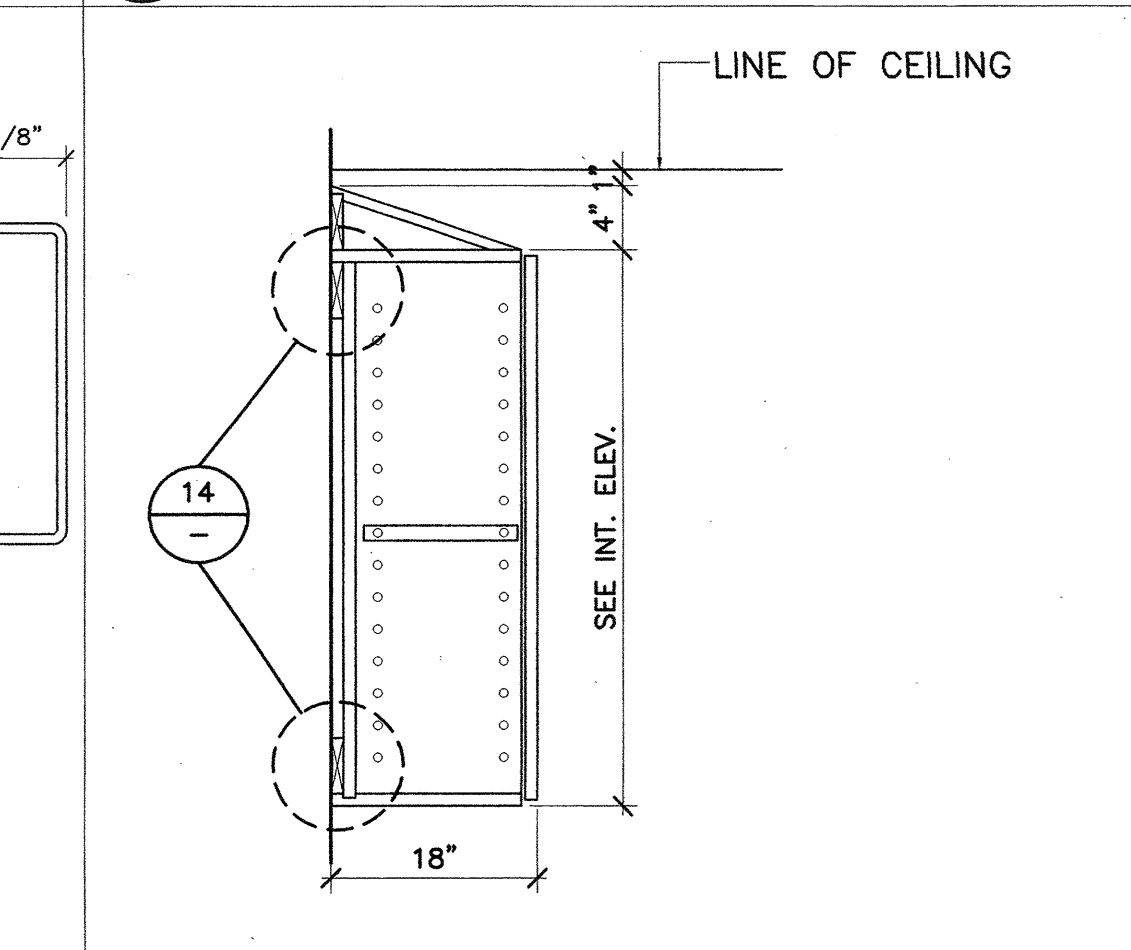
**1 Wall Intesection**  
SCALE: N.T.S.



**2 Stud Assembly for Opening @ Partition Wall**  
SCALE: N.T.S.

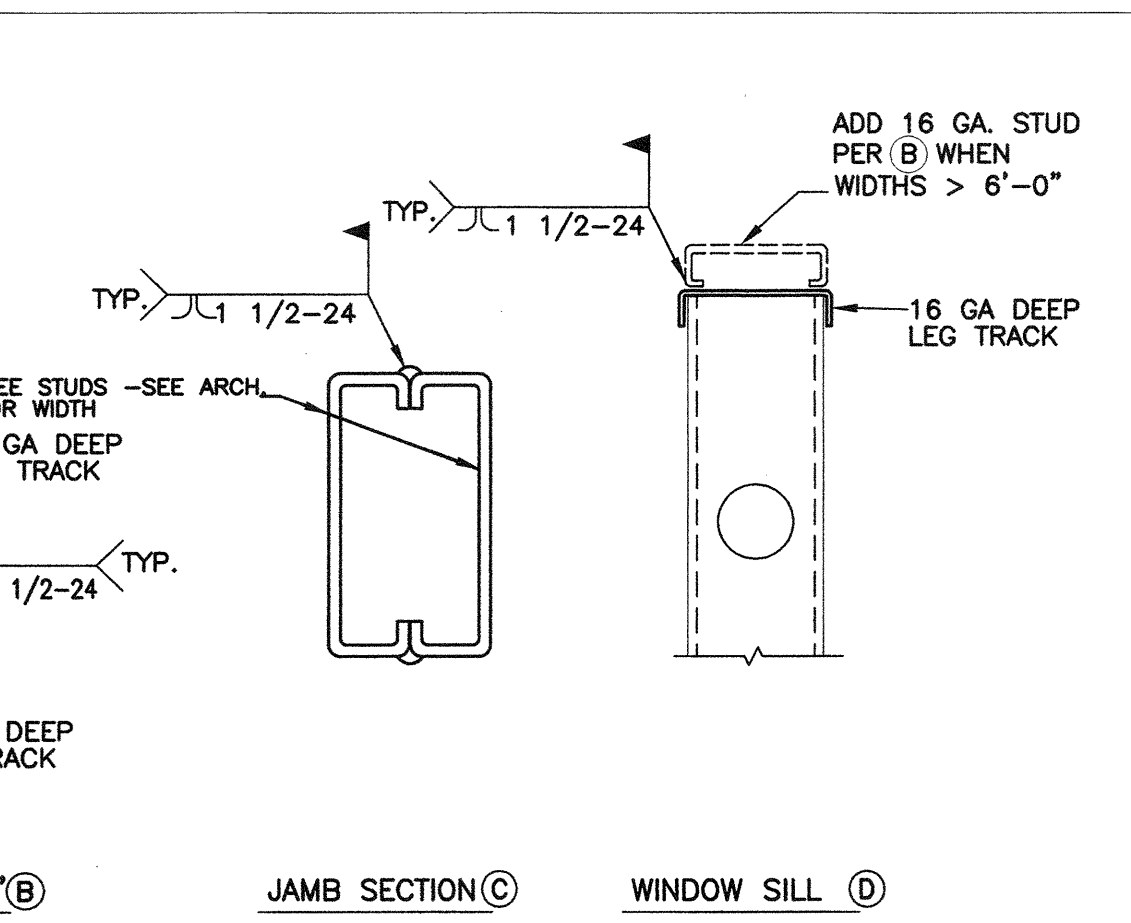


**3 Header & Jamb Sections/ Window Sill Section**  
SCALE: N.T.S.

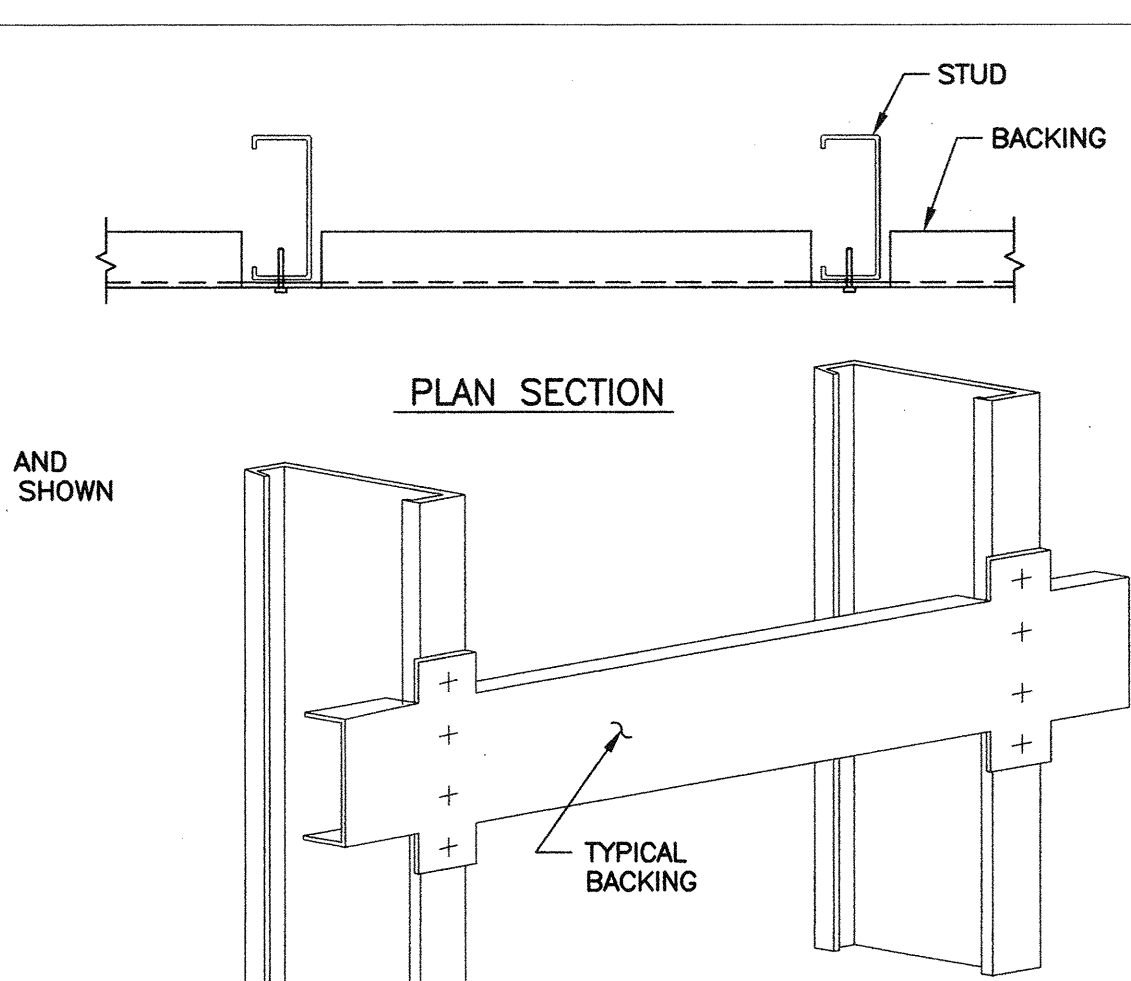


**5 Wall Cabinet**  
SCALE: 1" = 1'-0"

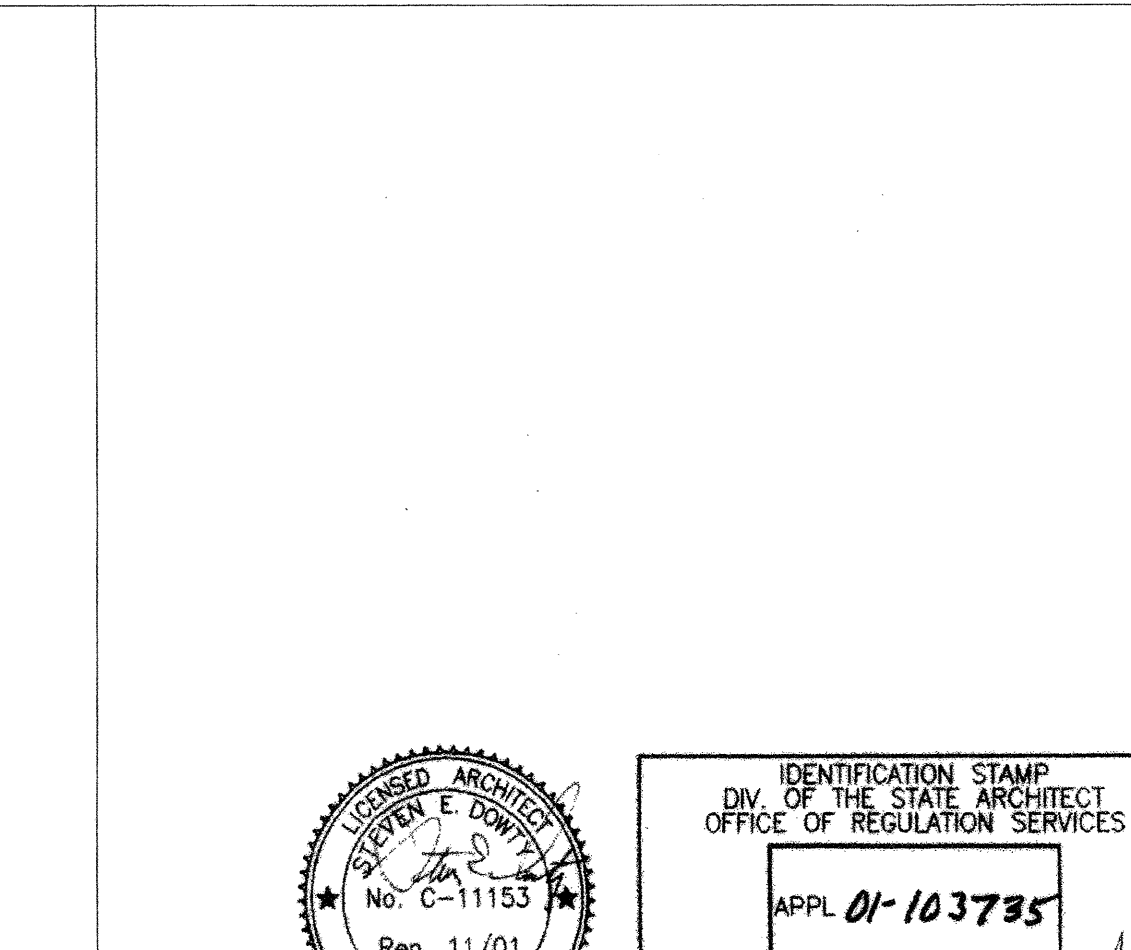
**13 Operable Wall Head**  
SCALE: 3" = 1'-0"



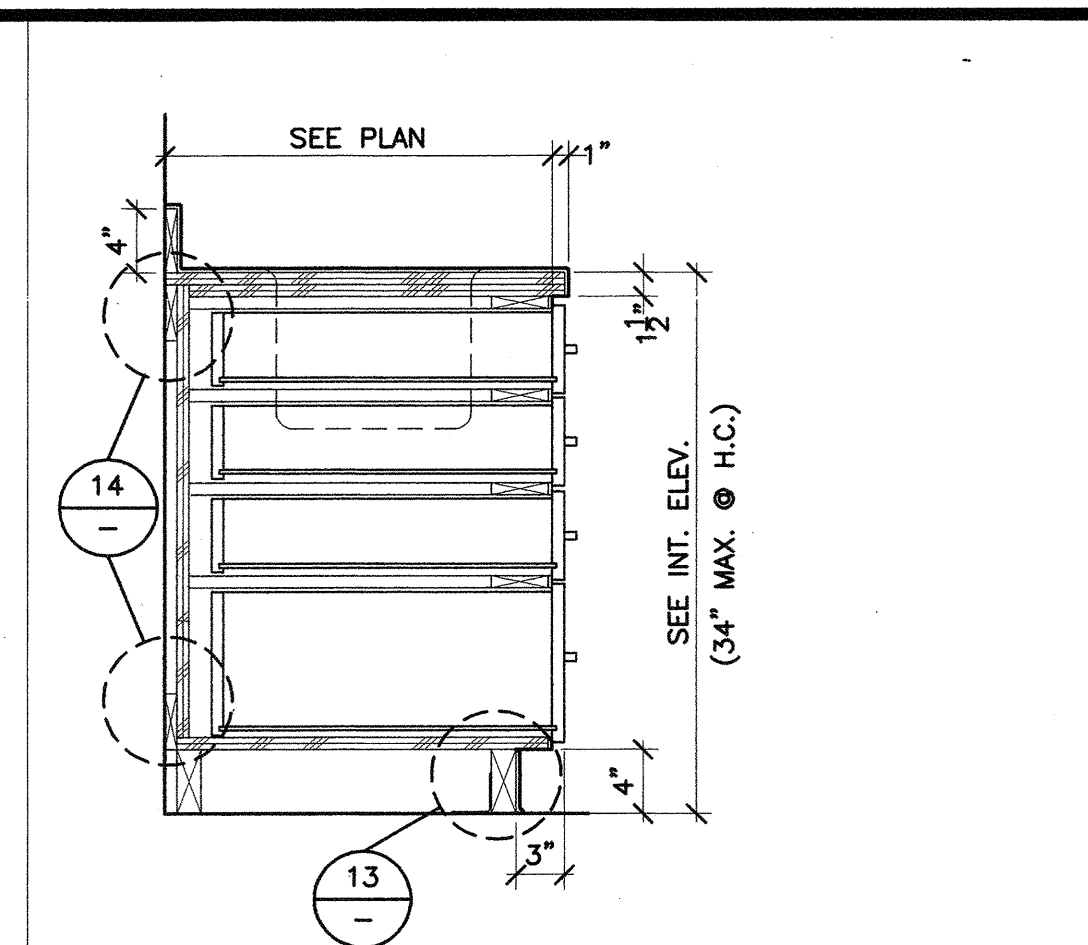
**14 Cabinet Anchorage (Typ.)**  
SCALE: 3" = 1'-0"



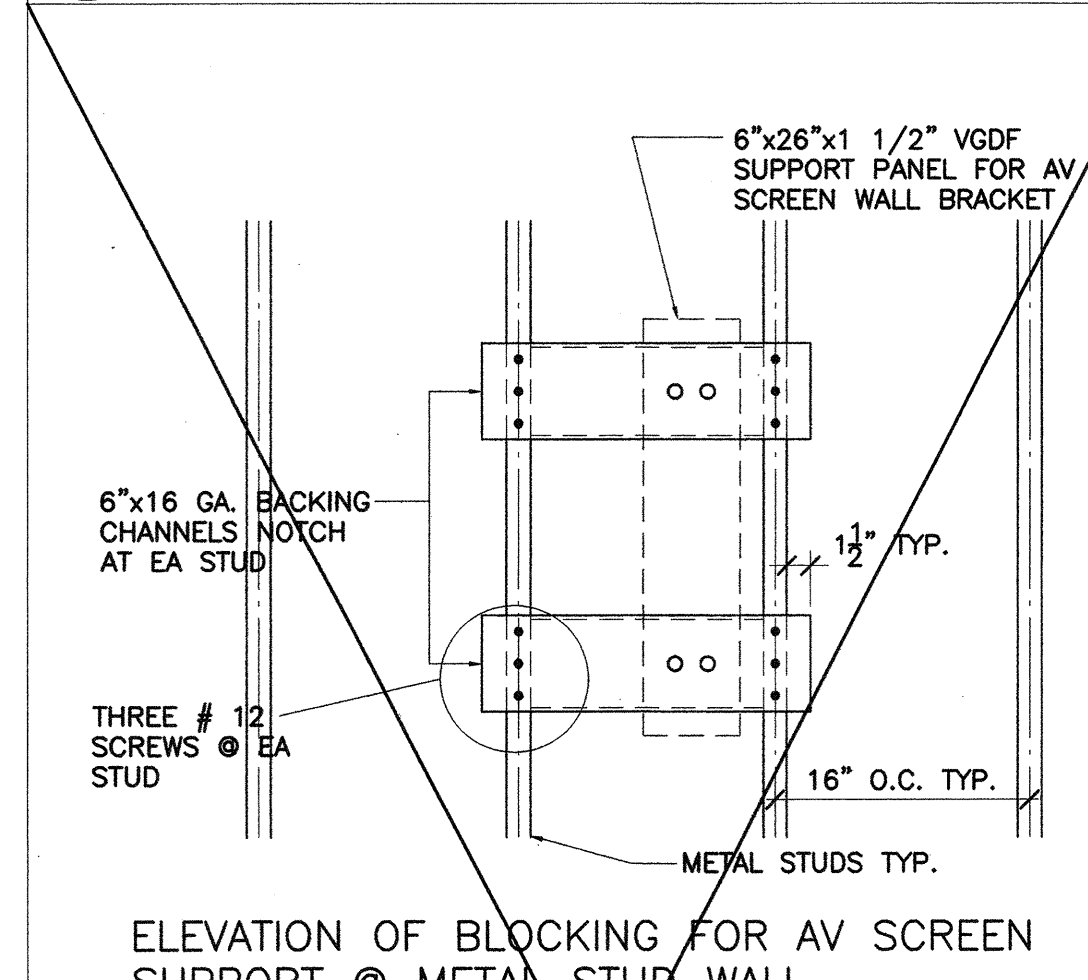
**11 Shelving**  
SCALE: 1" = 1'-0"



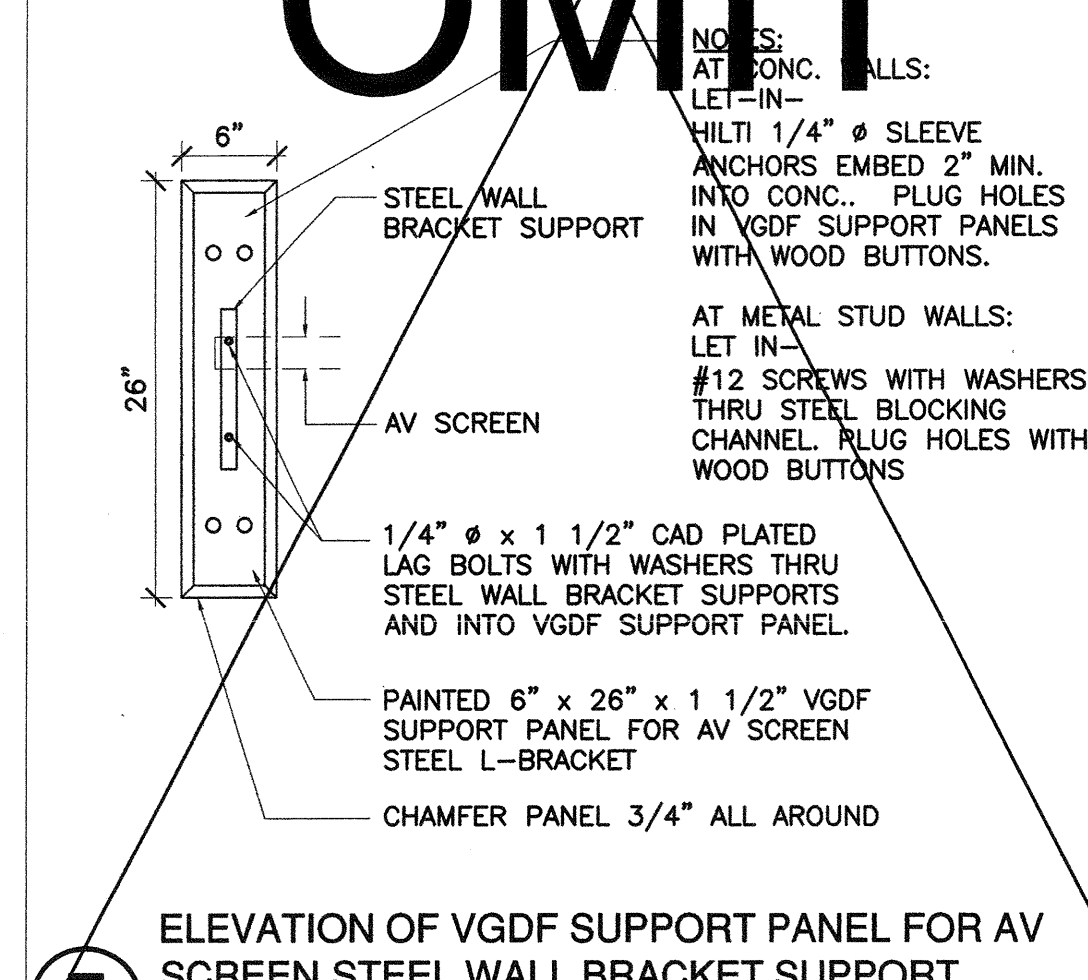
**15 Cabinet Anchorage (Typ.)**  
SCALE: 3" = 1'-0"



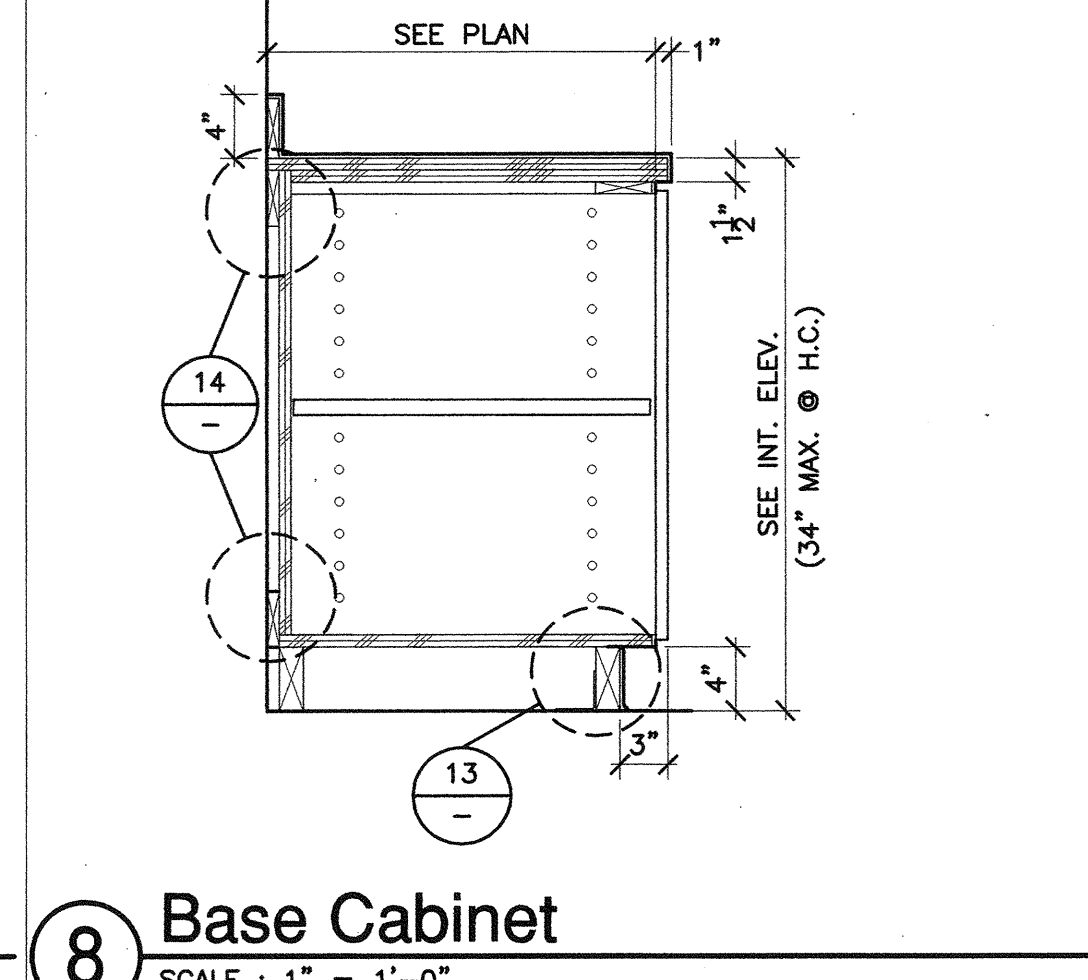
**6 Base Cabinet**  
SCALE: 1" = 1'-0"



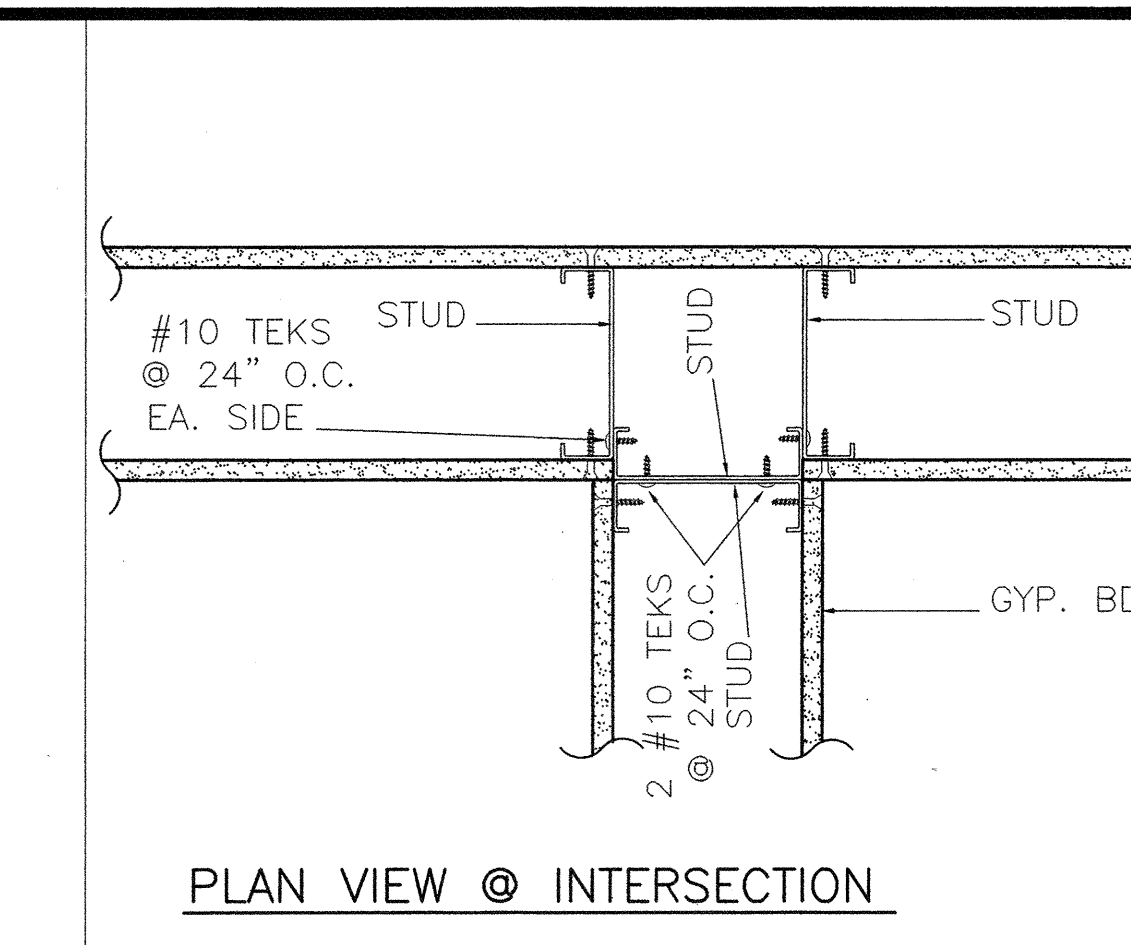
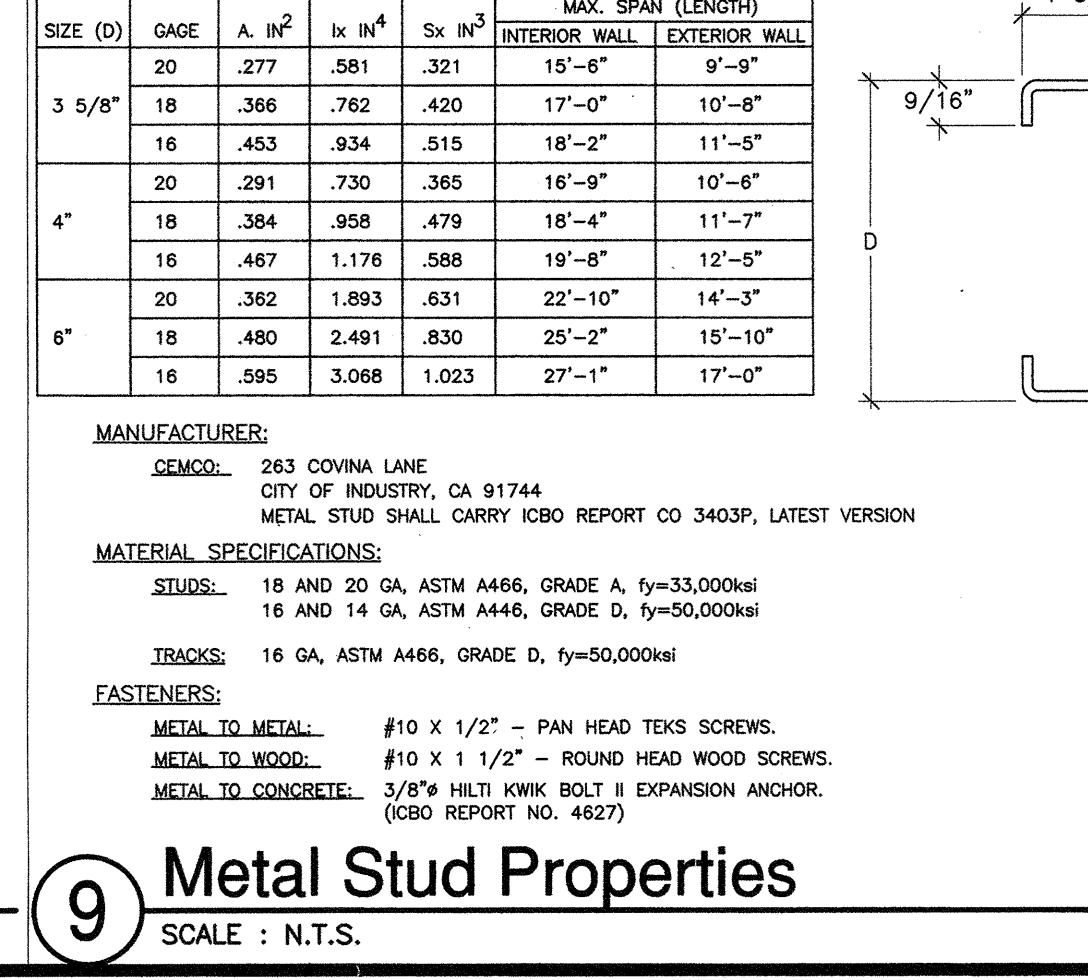
**7 Elevation of VGDF Support Panel for AV Screen Steel Wall Bracket Support**  
SCALE: 1" = 1'-0"



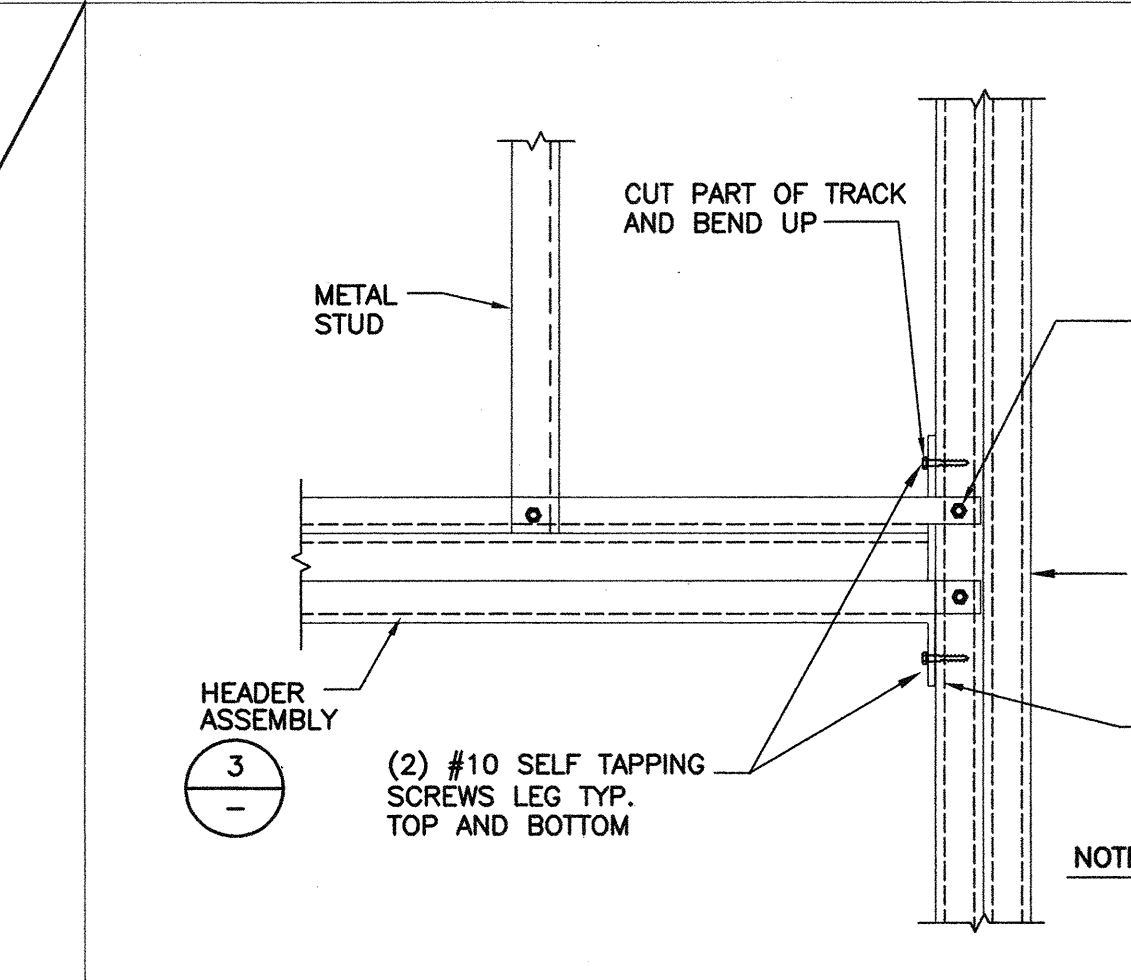
**8 Base Cabinet**  
SCALE: 1" = 1'-0"



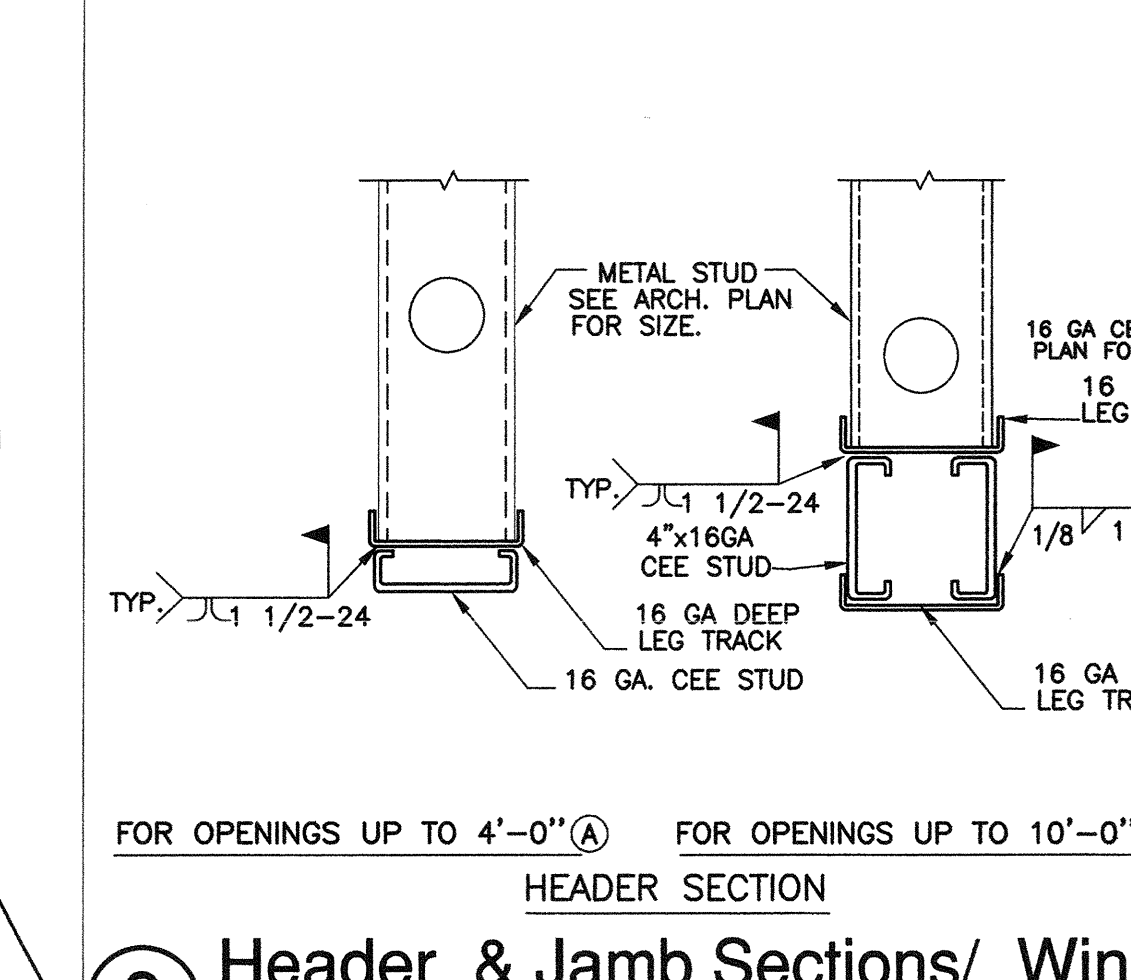
**11 Shelving**  
SCALE: 1" = 1'-0"



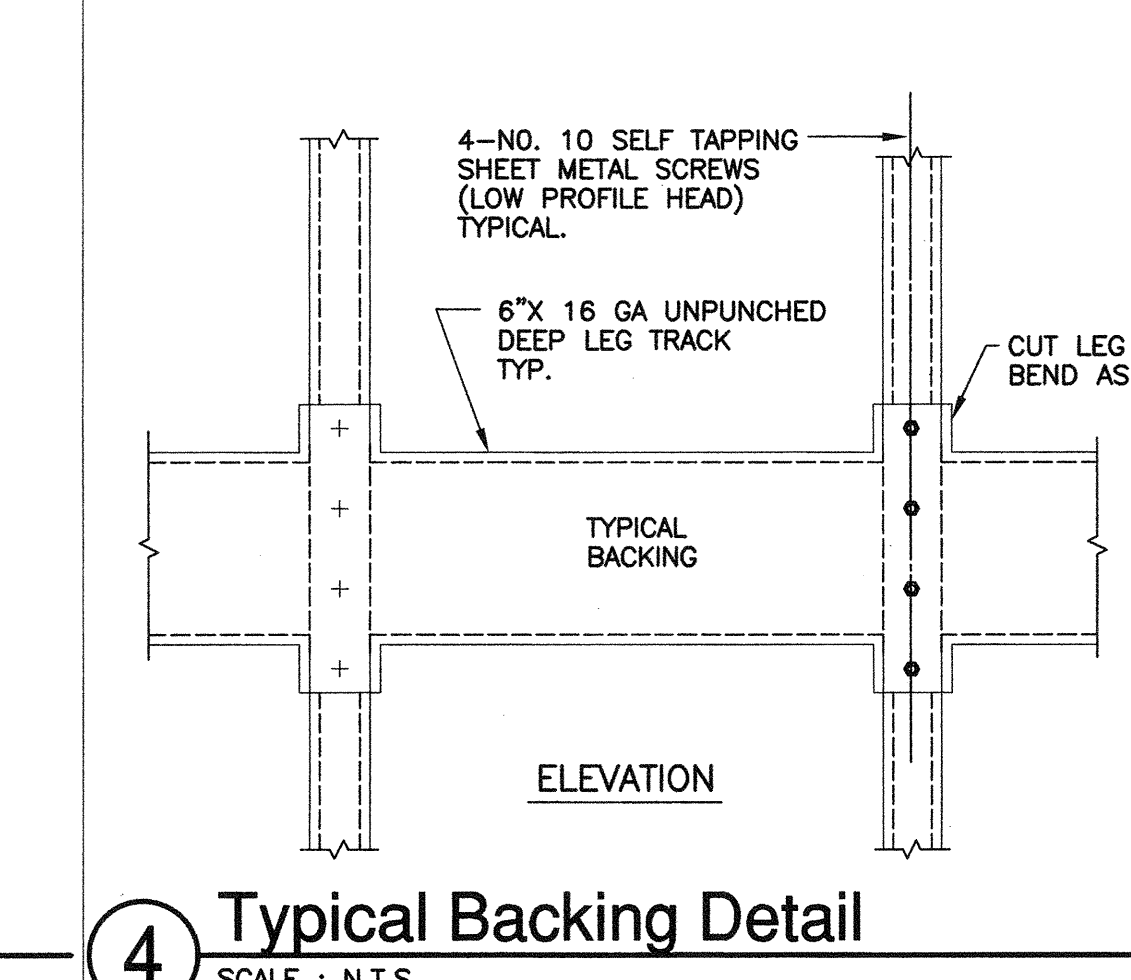
**1 Wall Intesection**  
SCALE: N.T.S.



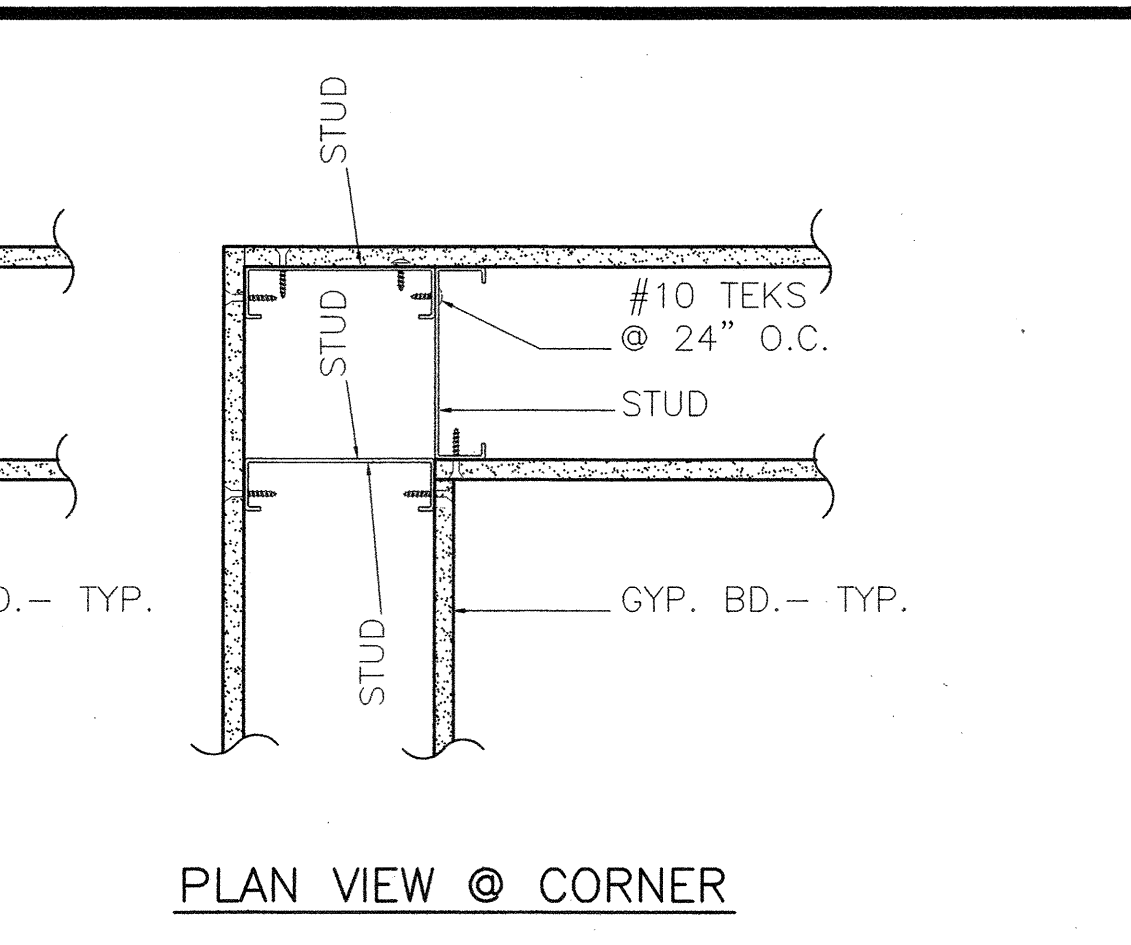
**2 Stud Assembly for Opening @ Partition Wall**  
SCALE: N.T.S.



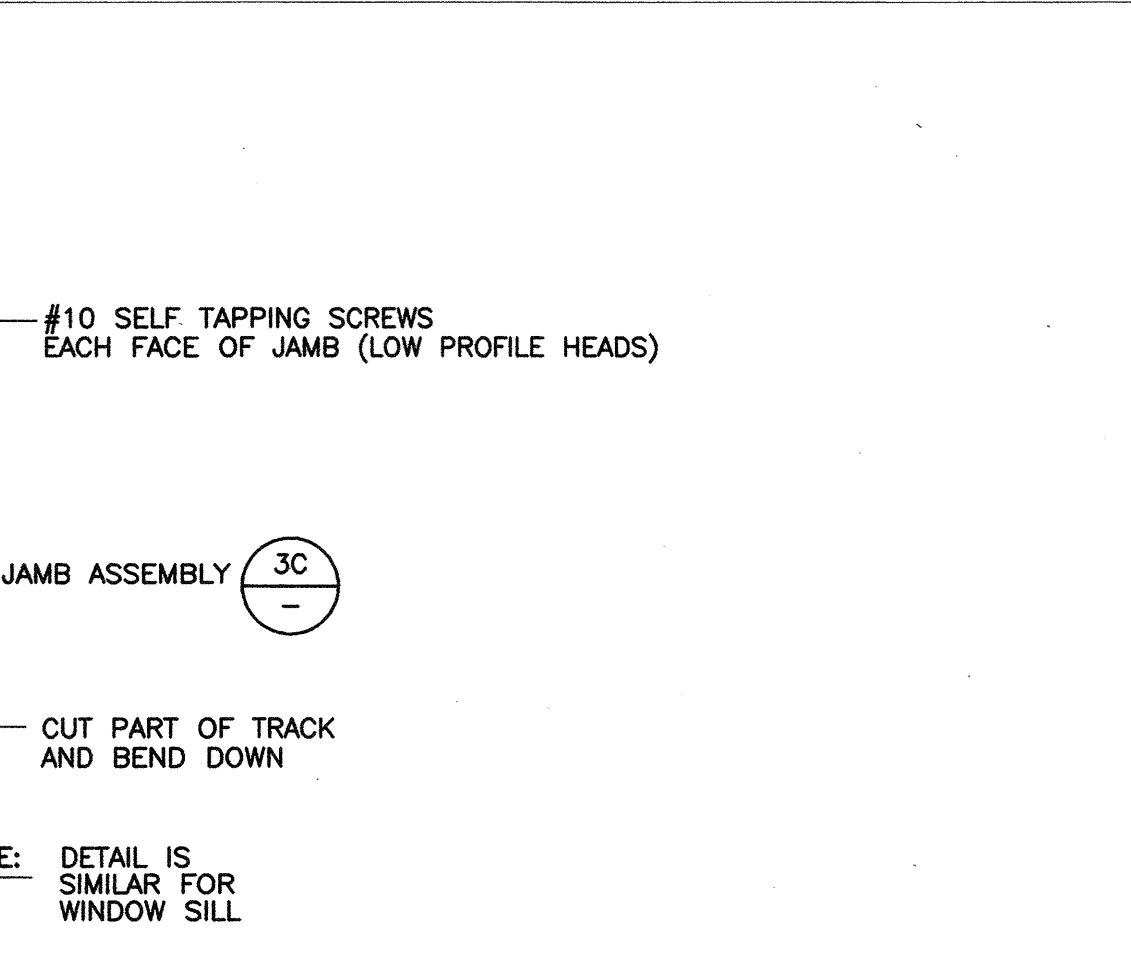
**3 Header & Jamb Sections/ Window Sill Section**  
SCALE: N.T.S.



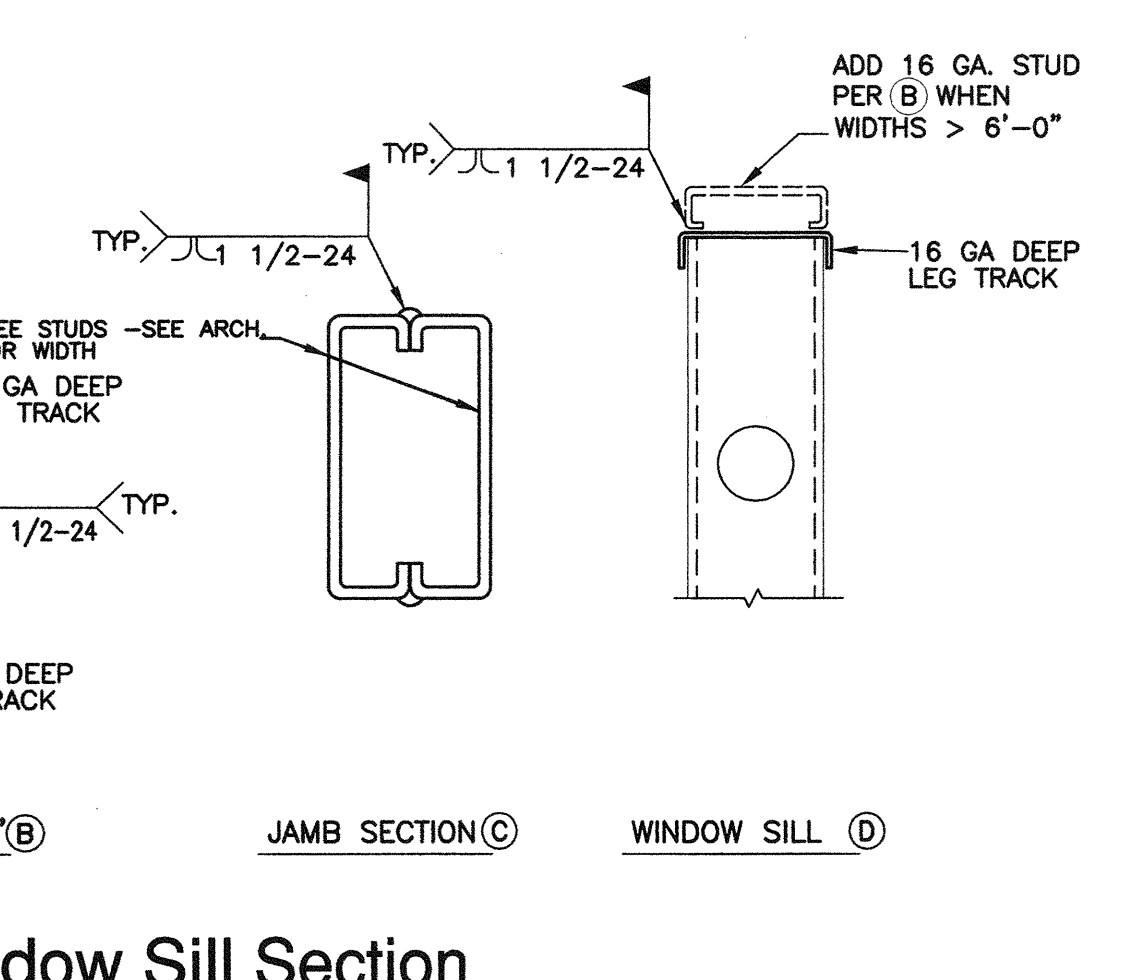
**5 Wall Cabinet**  
SCALE: 1" = 1'-0"



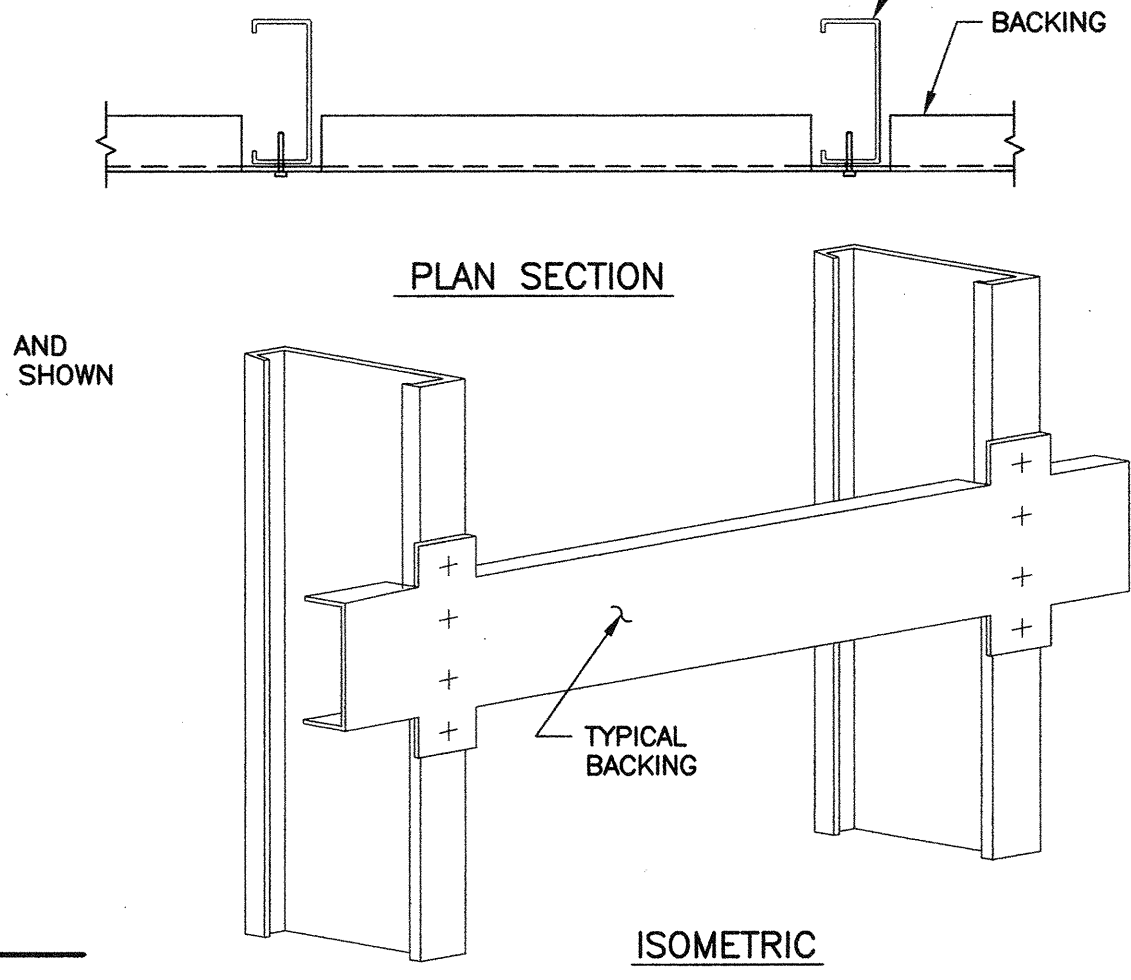
**1 Wall Intesection**  
SCALE: N.T.S.



**2 Stud Assembly for Opening @ Partition Wall**  
SCALE: N.T.S.



**3 Header & Jamb Sections/ Window Sill Section**  
SCALE: N.T.S.



**5 Wall Cabinet**  
SCALE: 1" = 1'-0"

**KRUGER BENSON ZIEMER ARCHITECTS, INC.**  
30 W. ARRELLAGA, SANTA BARBARA, CA 93101  
805/963.1726

**STEVE DOWDY, A.I.A.**  
PRINCIPAL IN CHARGE

**GERALD SHUSTA**  
PROJECT ARCHITECT

All sheet design arrangements and plans indicated or represented by this drawing are made by and on the property of Kruger-Benson-Ziemer, Inc. and are created, edited and developed for use on, and in connection with, the specified project. None of such design, drawings or plans shall be used by or disclosed to any person, firm or corporation for any purpose whatsoever without the written permission of Kruger-Benson-Ziemer.

**CENTER FOR ADVANCED LEARNING TECHNOLOGY**  
**SKYLINE COLLEGE**  
SAN MATEO COUNTY COMMUNITY COLLEGE DISTRICT  
SAN BRUNO, CALIFORNIA 94066  
3900 COLLEGE DRIVE

NO.	DESCRIPTION	DATE	BY

DRAWN: LUL  
CHECKED: SD  
DATE: 3/21/01  
JOB NO: 98-03  
SHEET TITLE: INTERIOR DETAILS  
SHEET 21  
A 9.4  
OF 21

IDENTIFICATION STAMP  
DIV. OF THE STATE ARCHITECT  
OFFICE OF REGULATION SERVICES  
APPL 01-103795  
DATE: 04/21/01

J:\CAD\DWG\19803\980309\_4.dwg, PLOT, 3/25/15, 4:29:20 PM