

KRUGER BENSEN ZIEMER ARCHITECTS, INC.
30 W. ARRELLA
805/963.1728

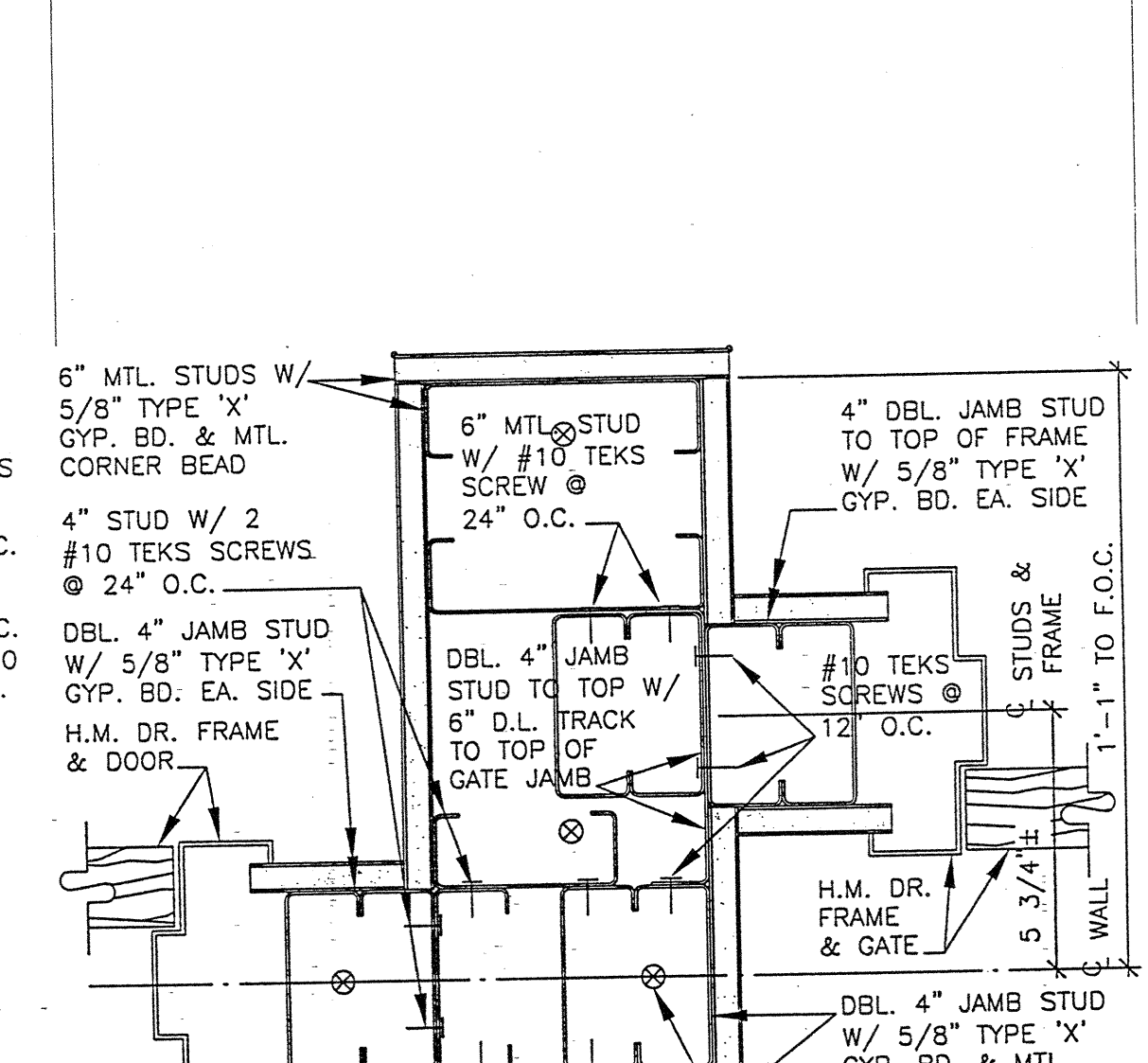
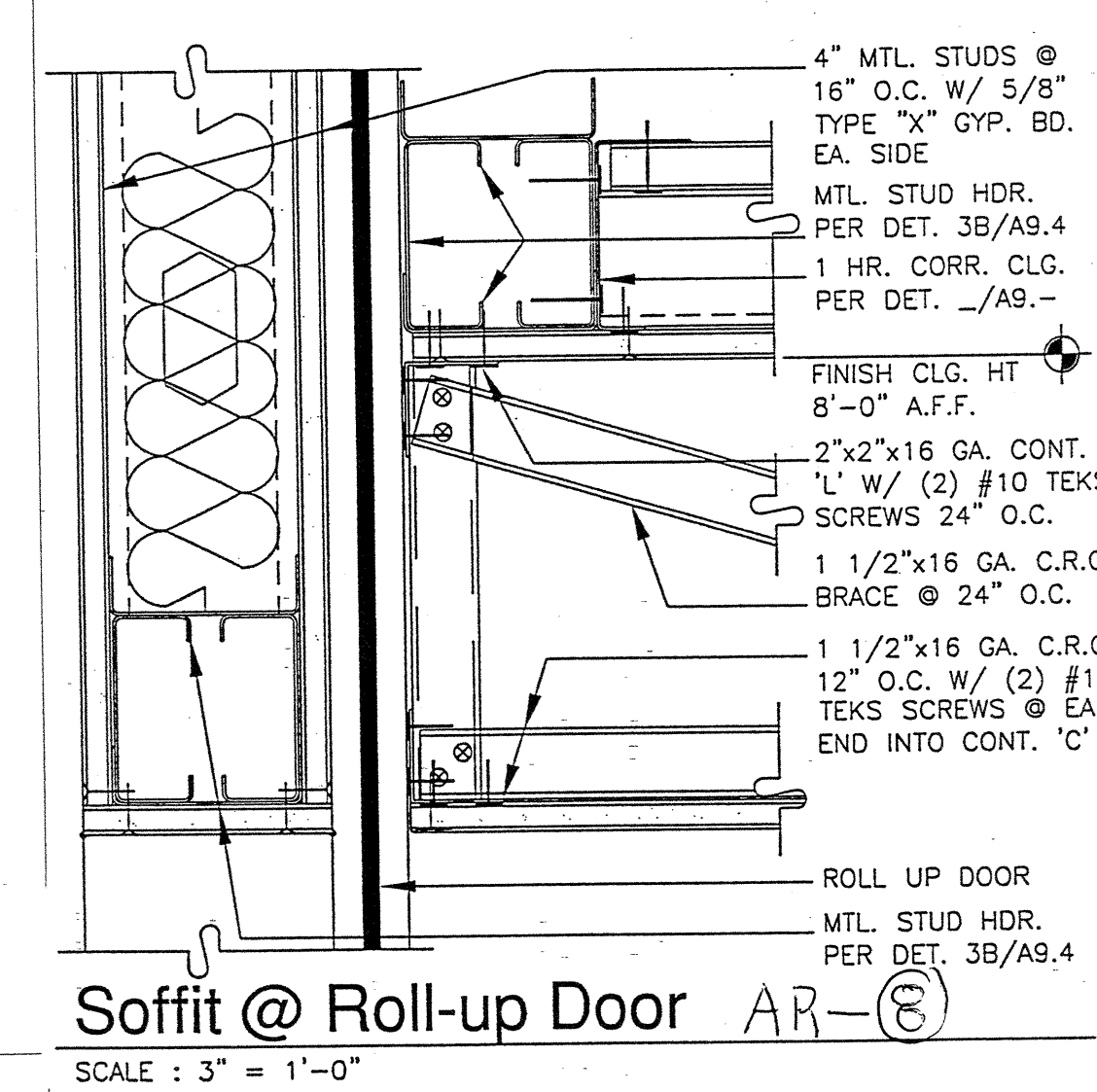
ZIEMER AIA
SANTA BARBARA, CA 93101

STEVE DOWTY, A.I.A.
PRINCIPAL IN CHARGE

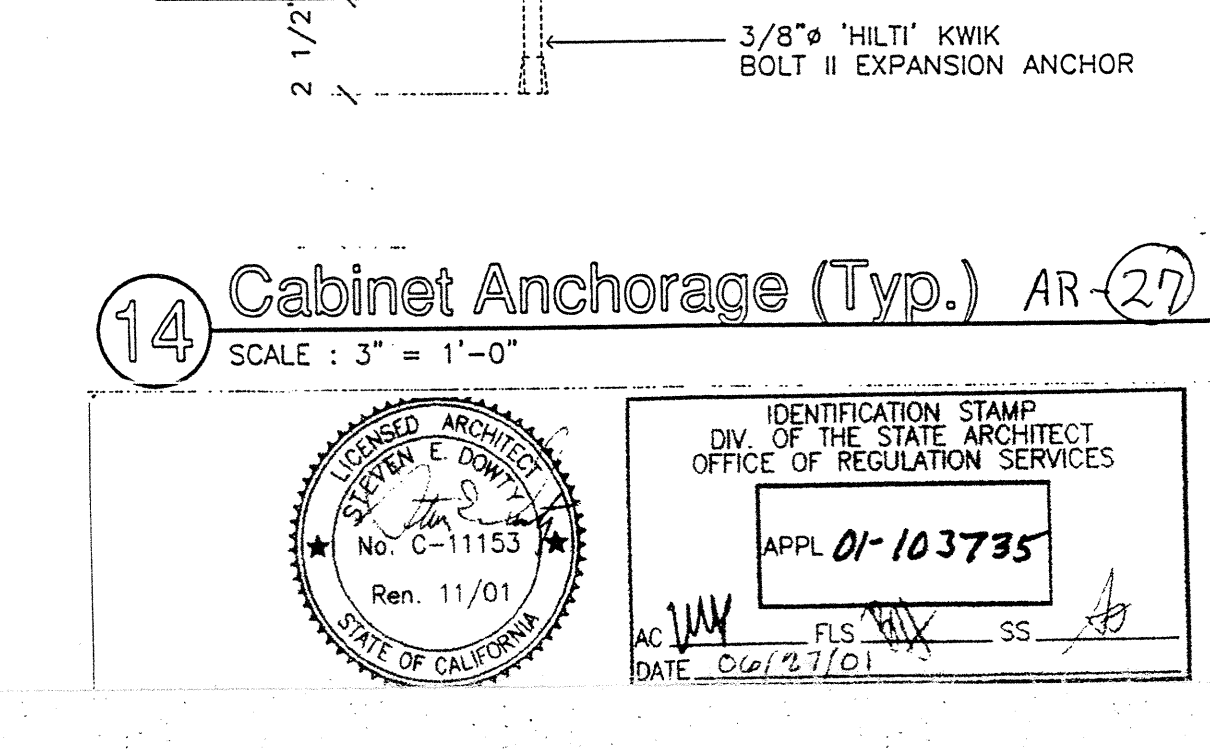
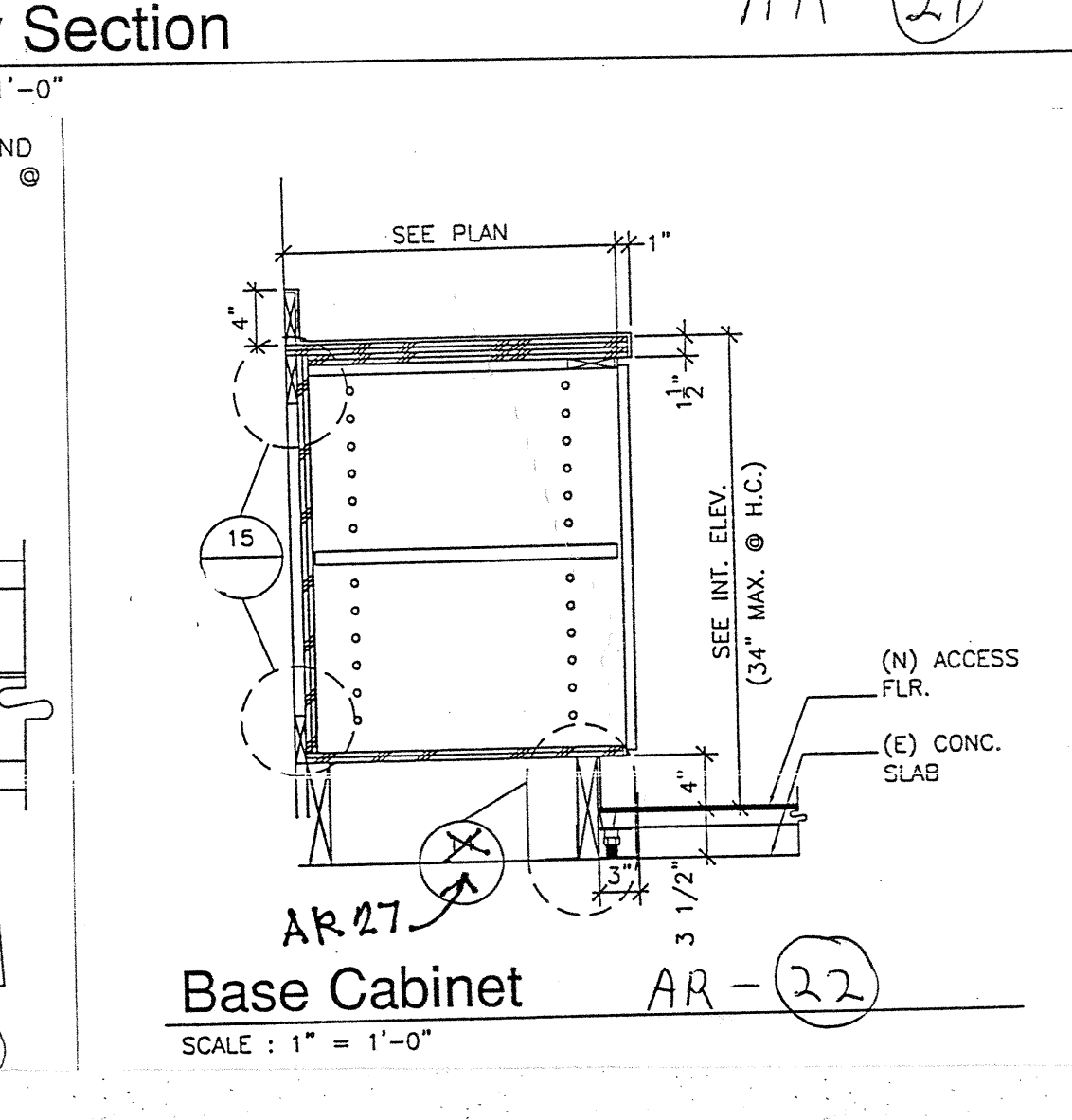
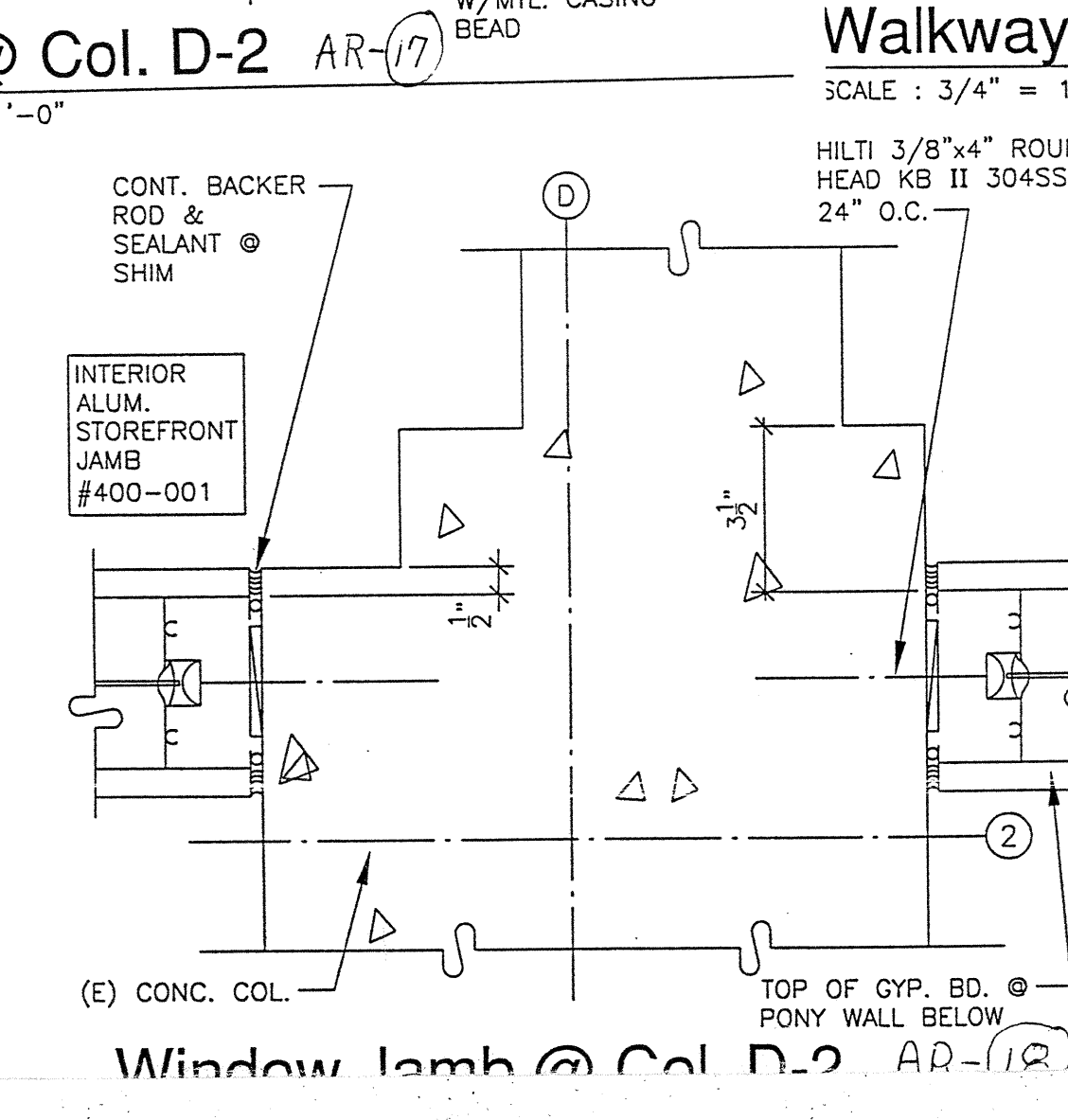
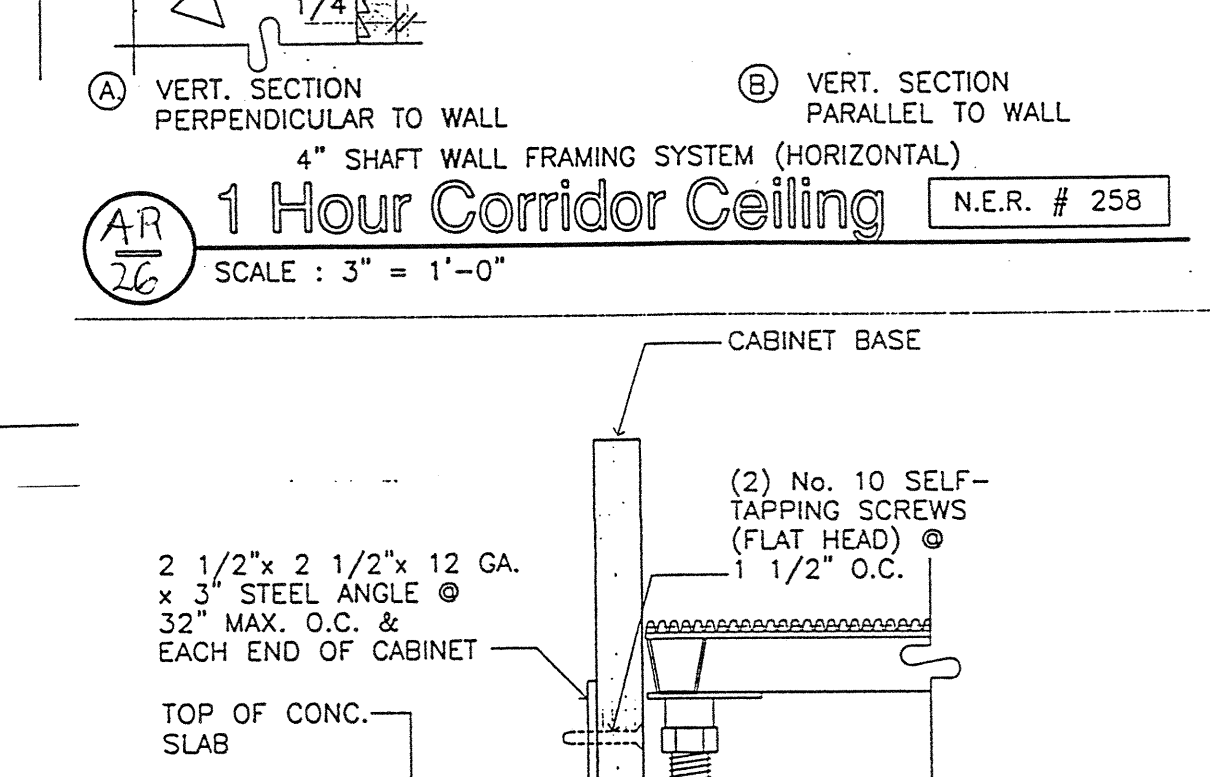
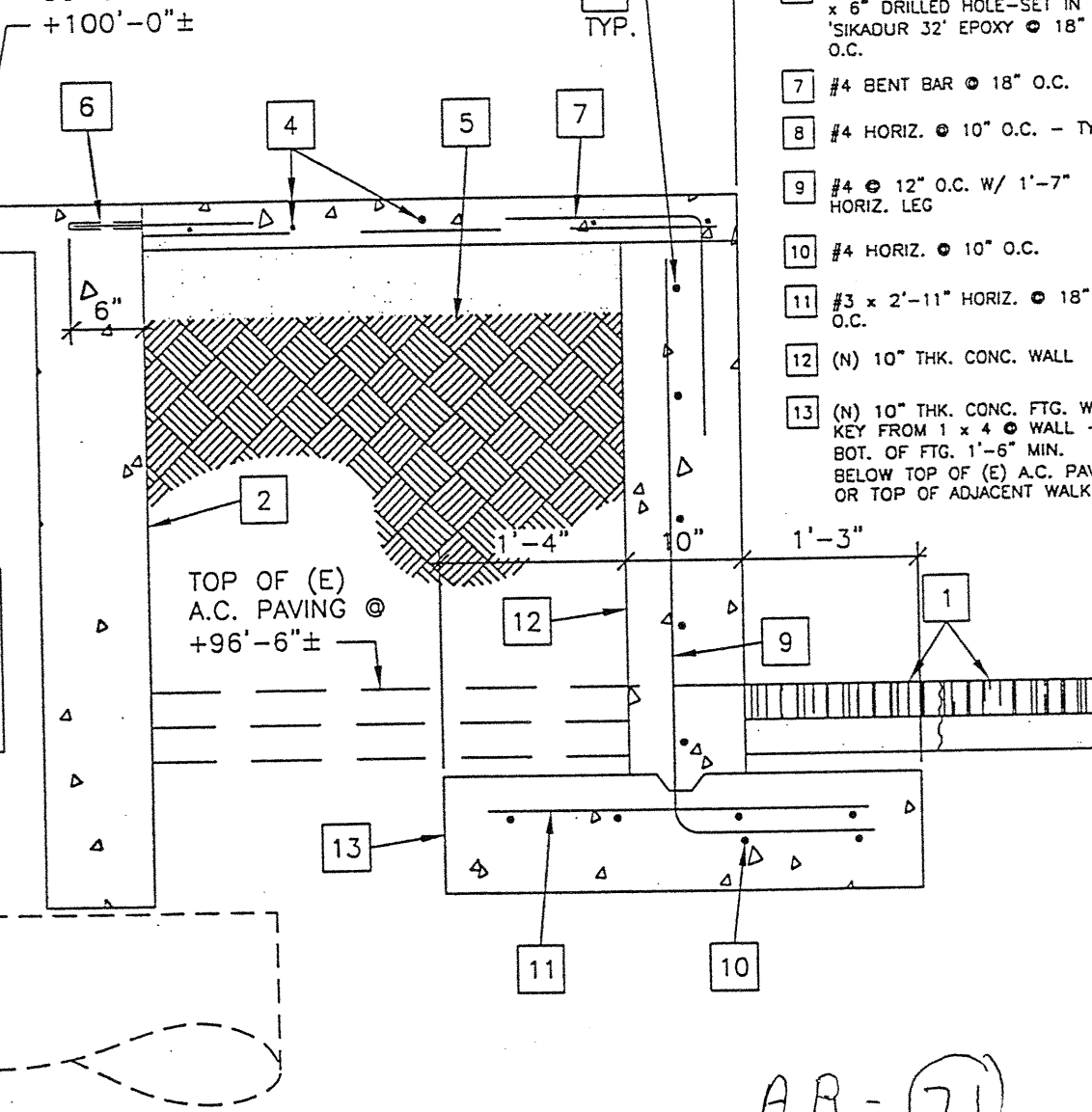
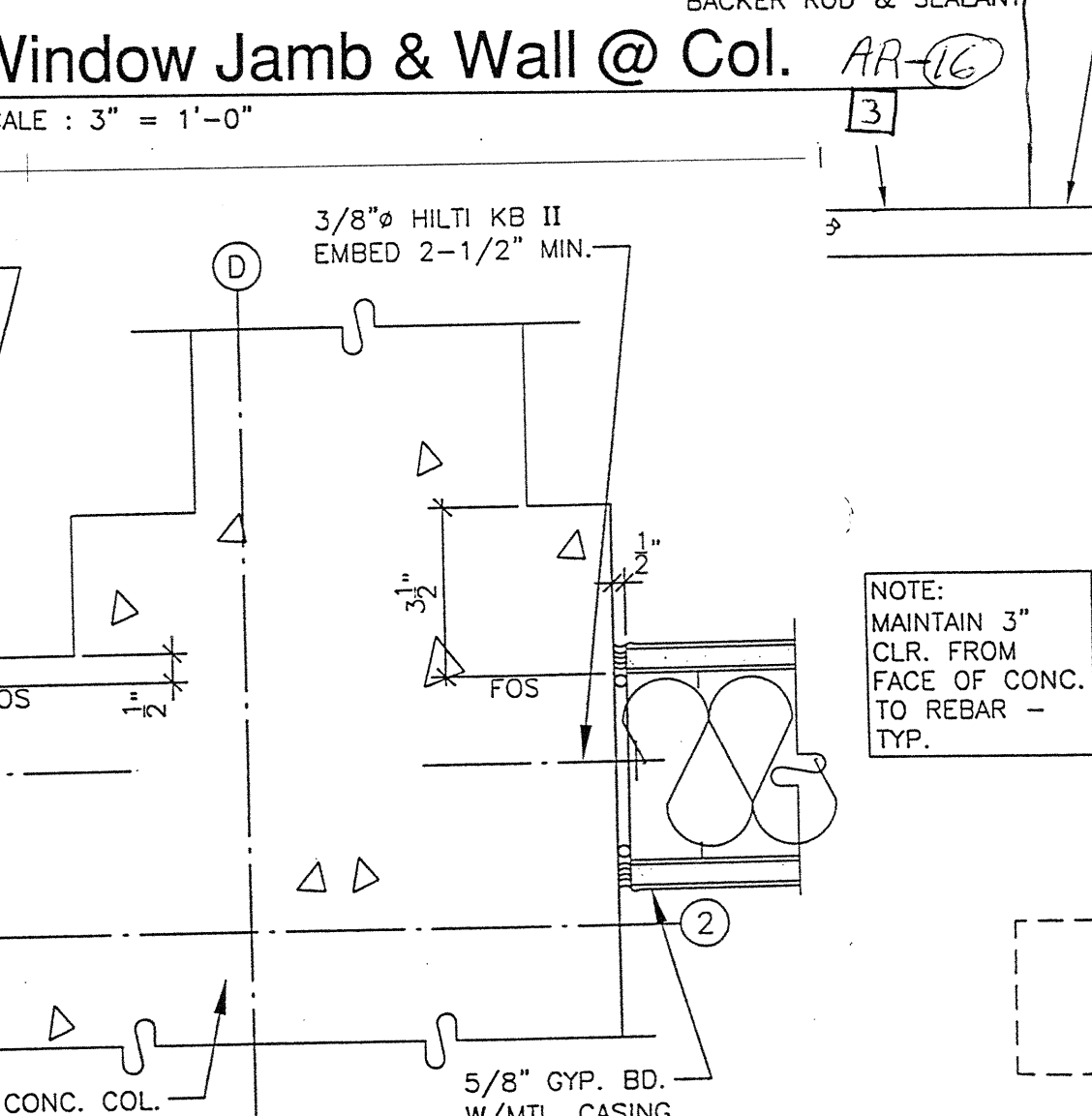
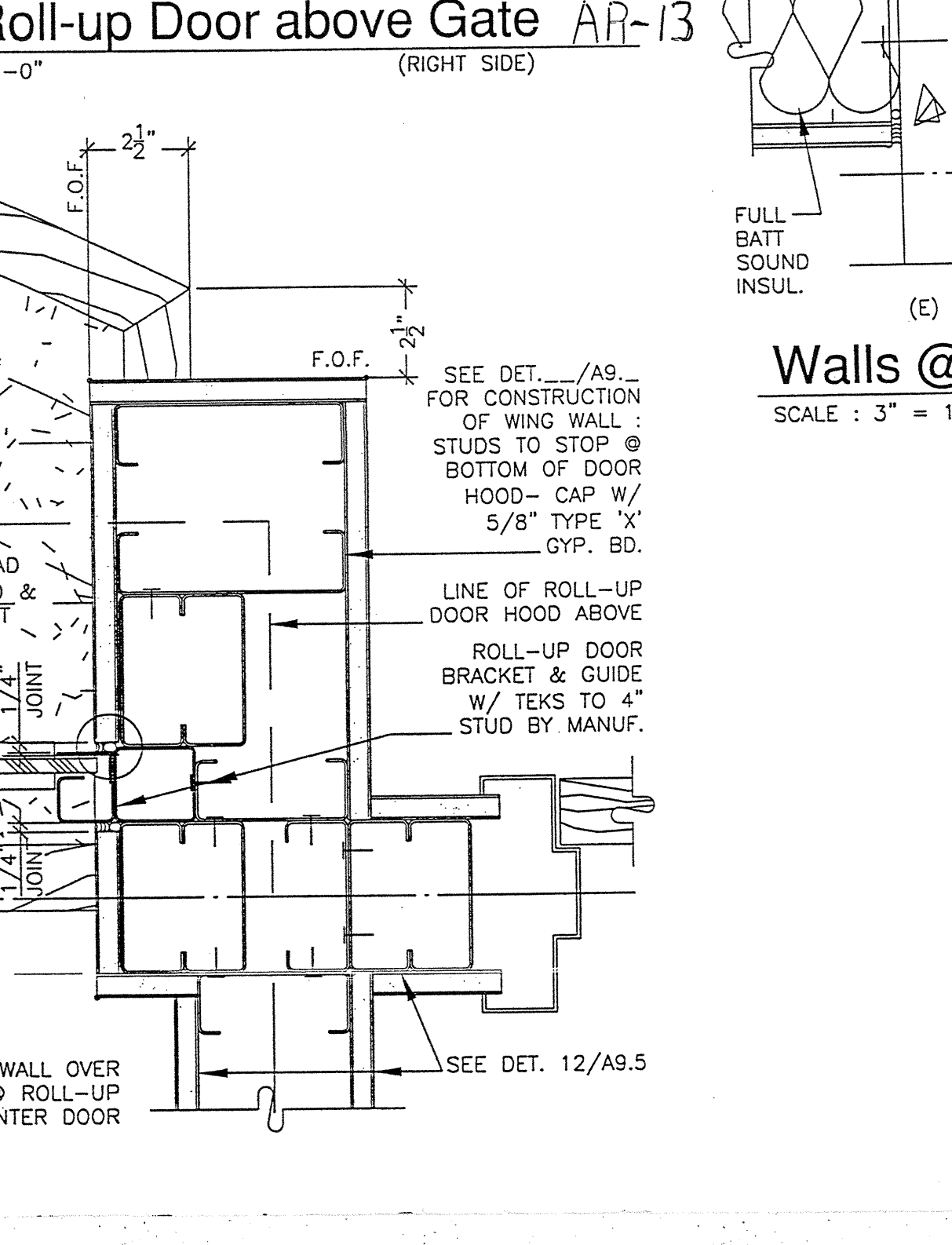
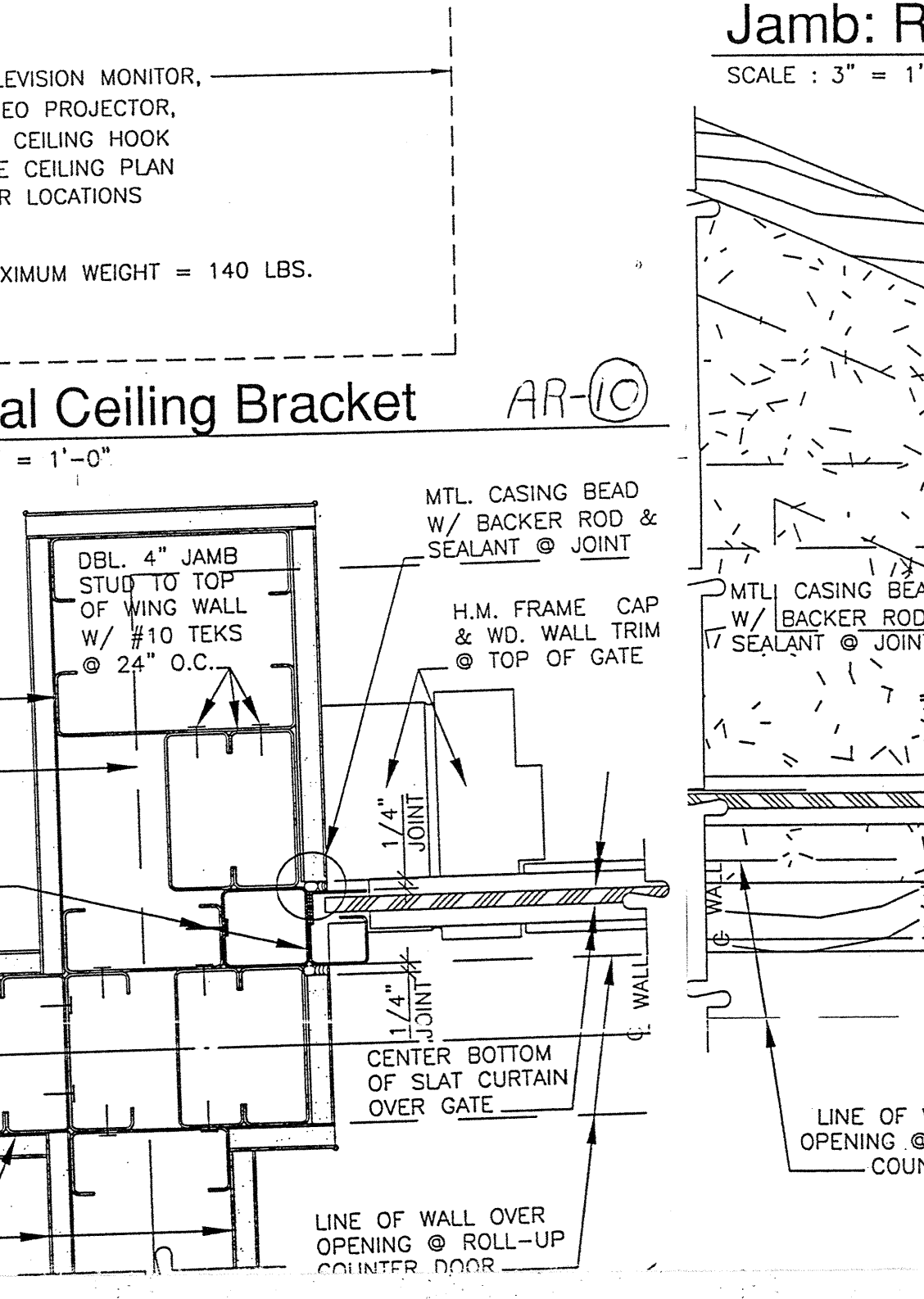
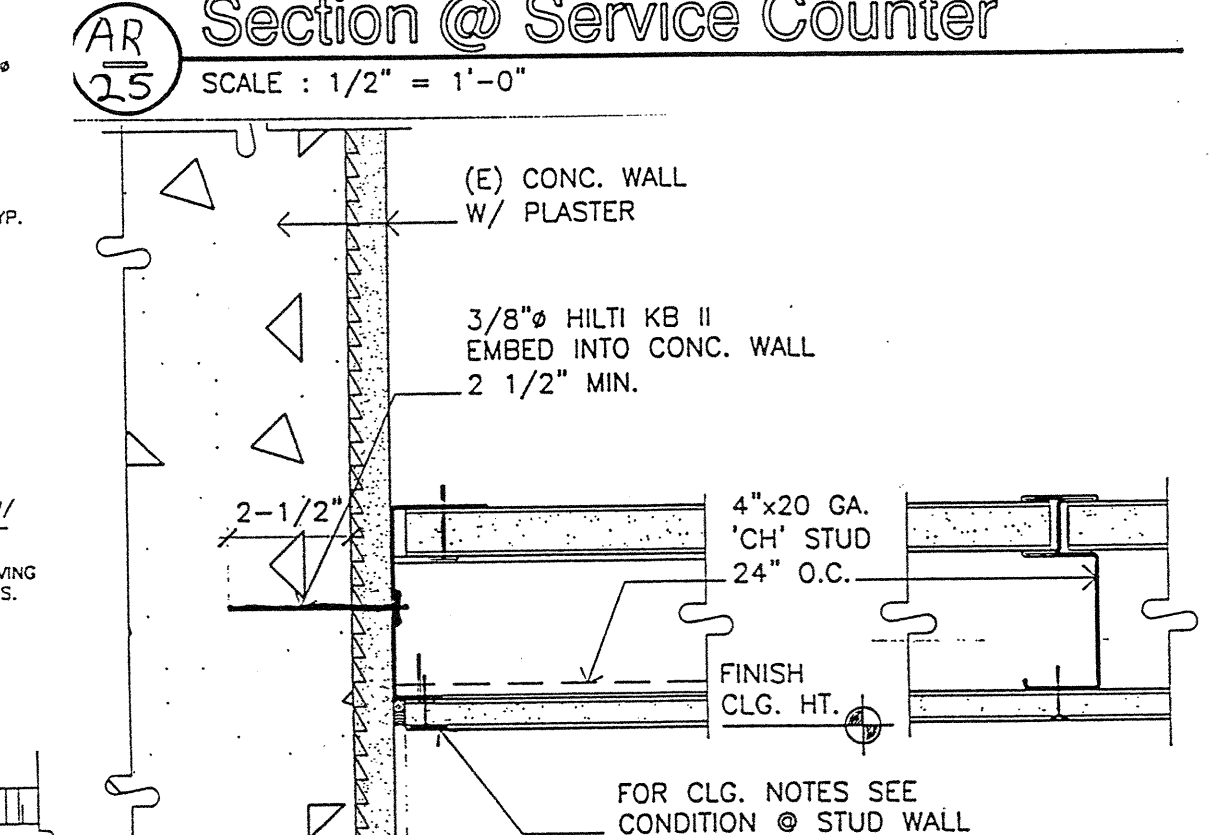
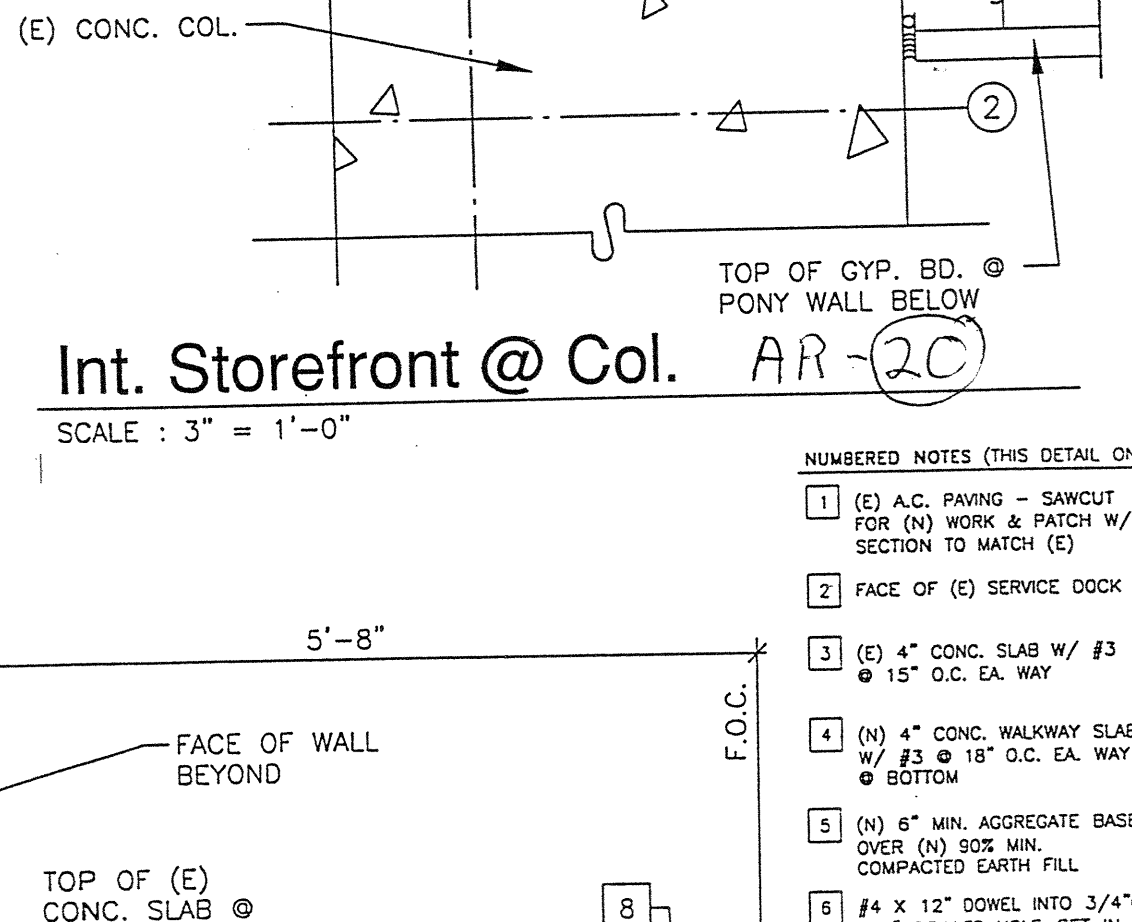
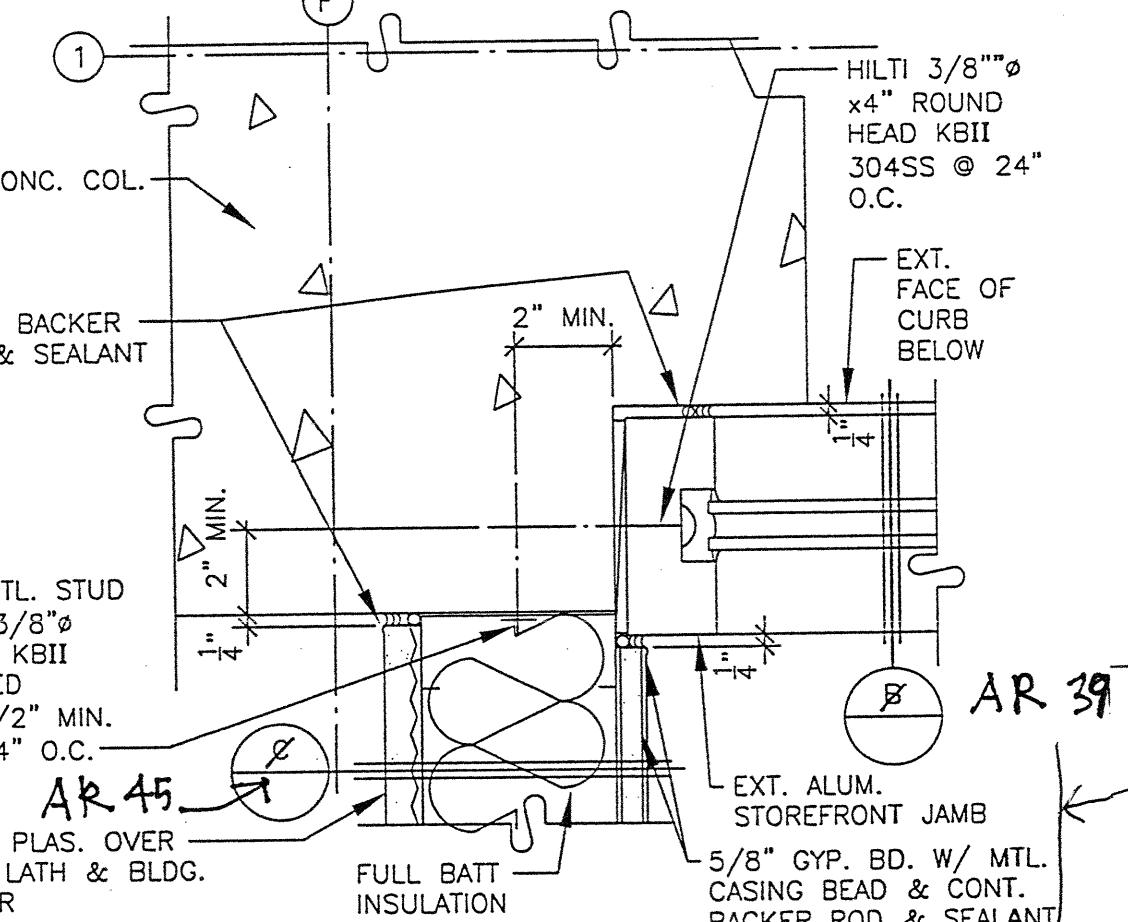
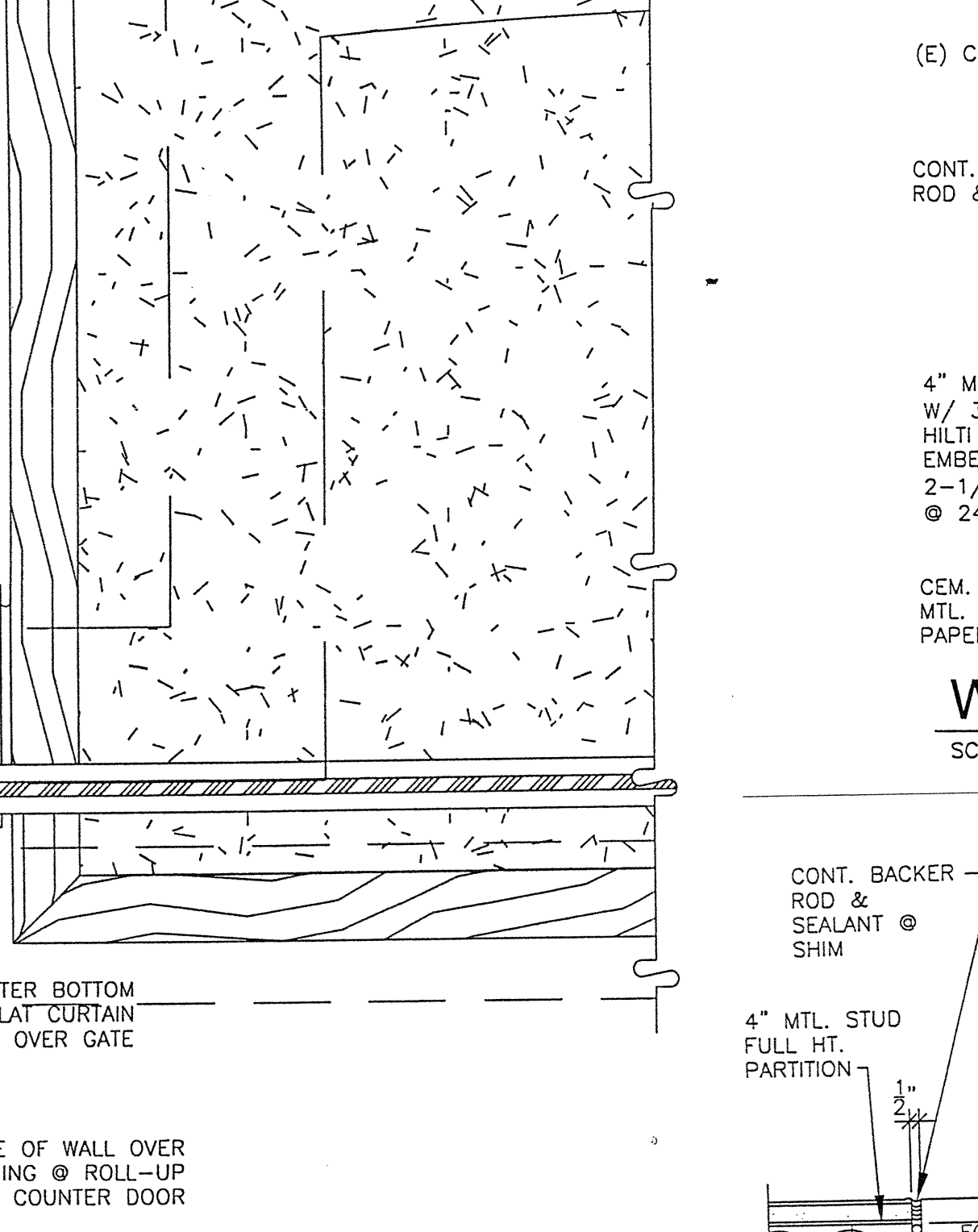
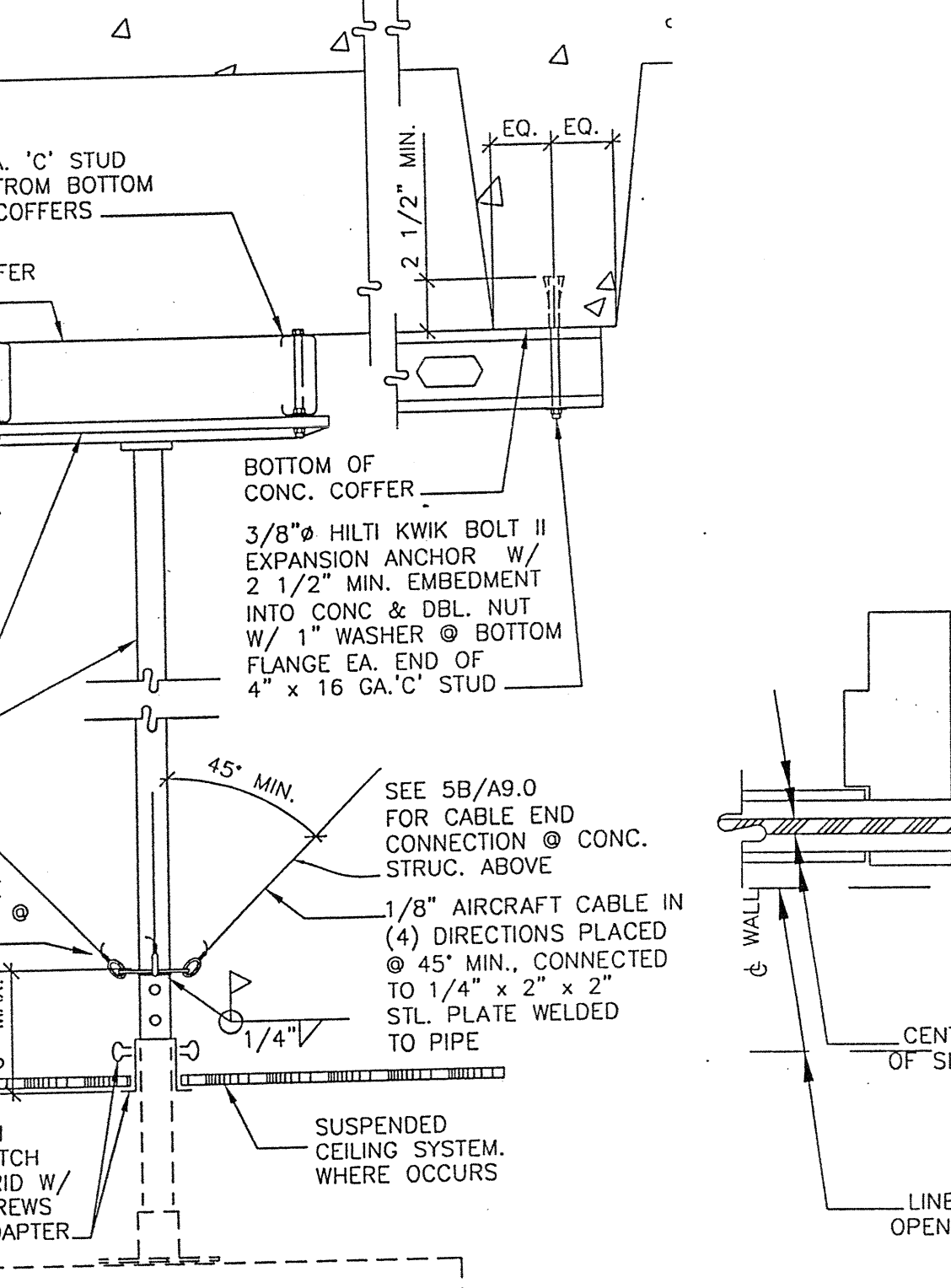
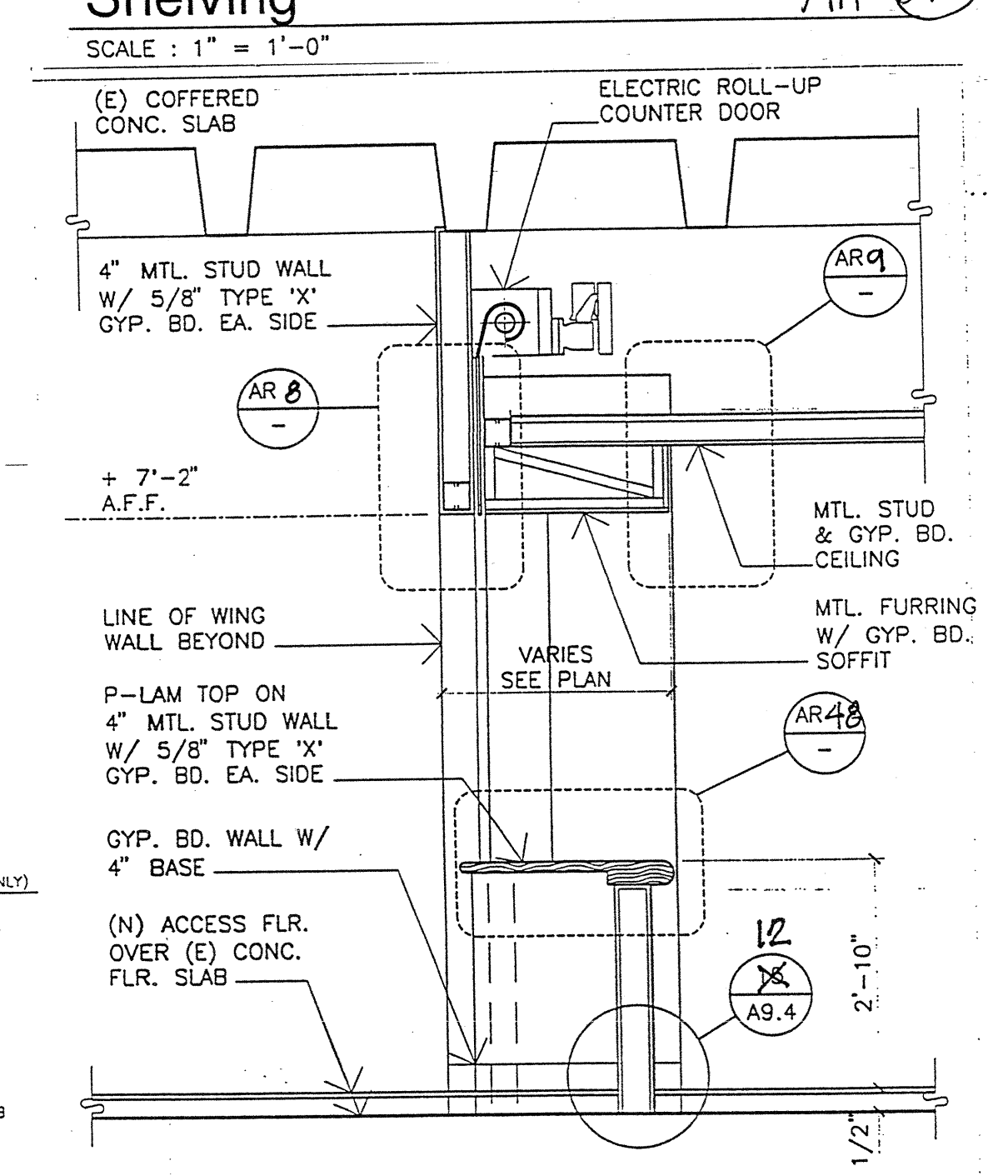
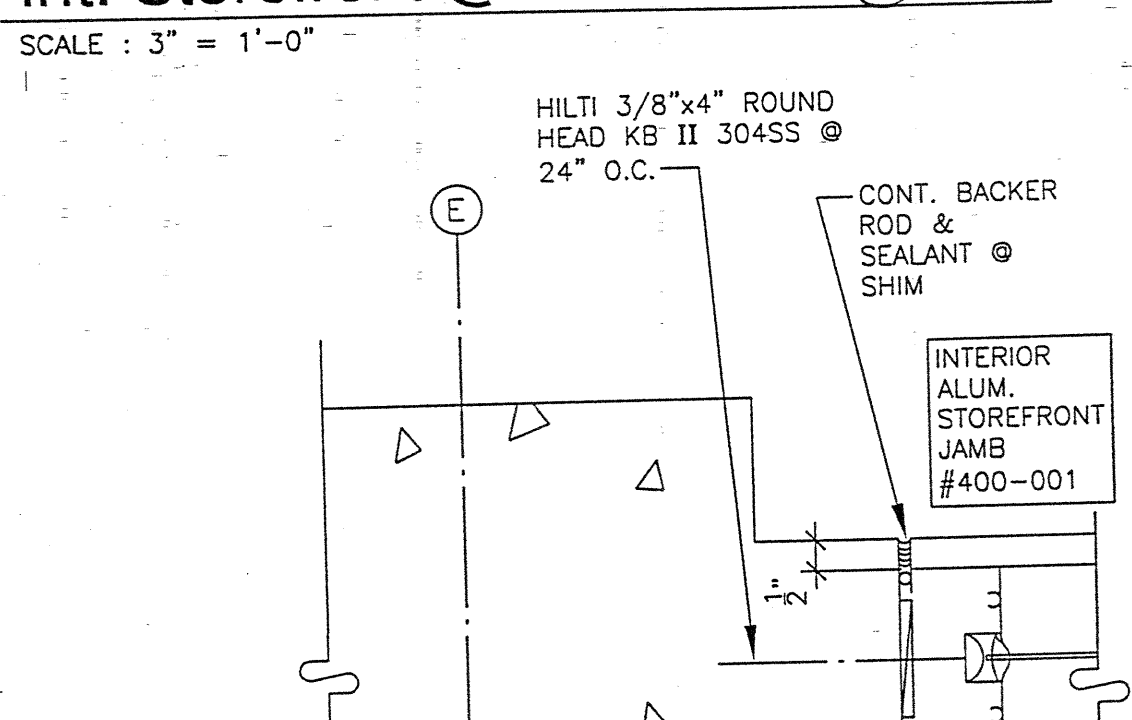
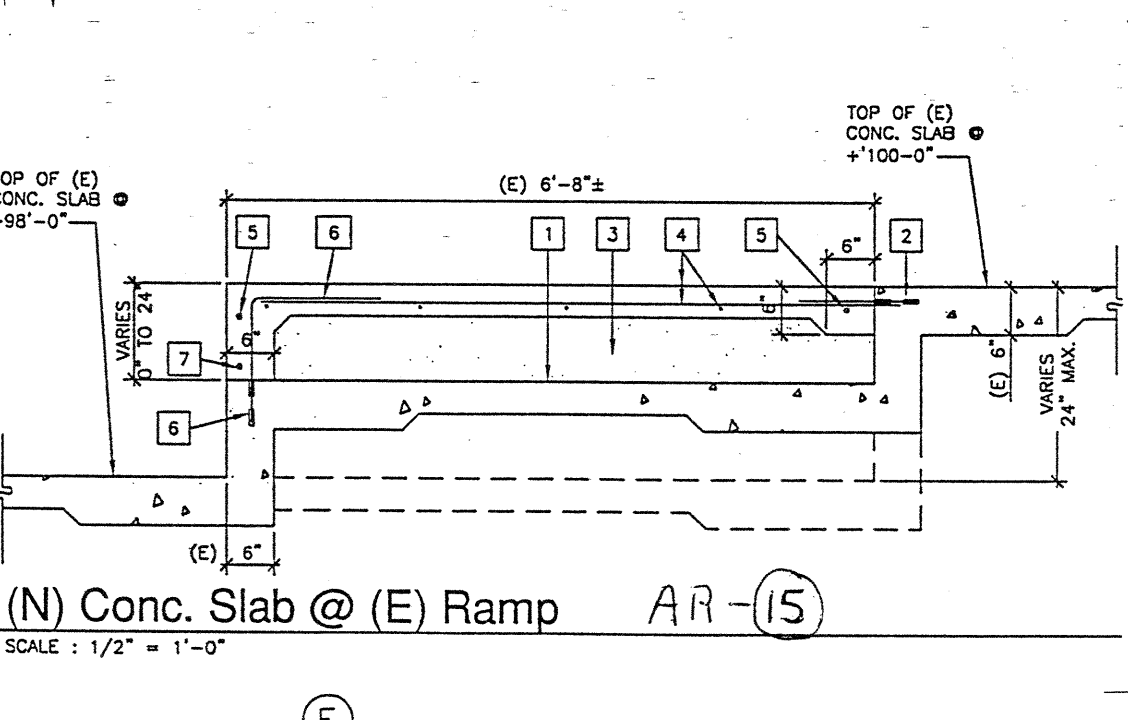
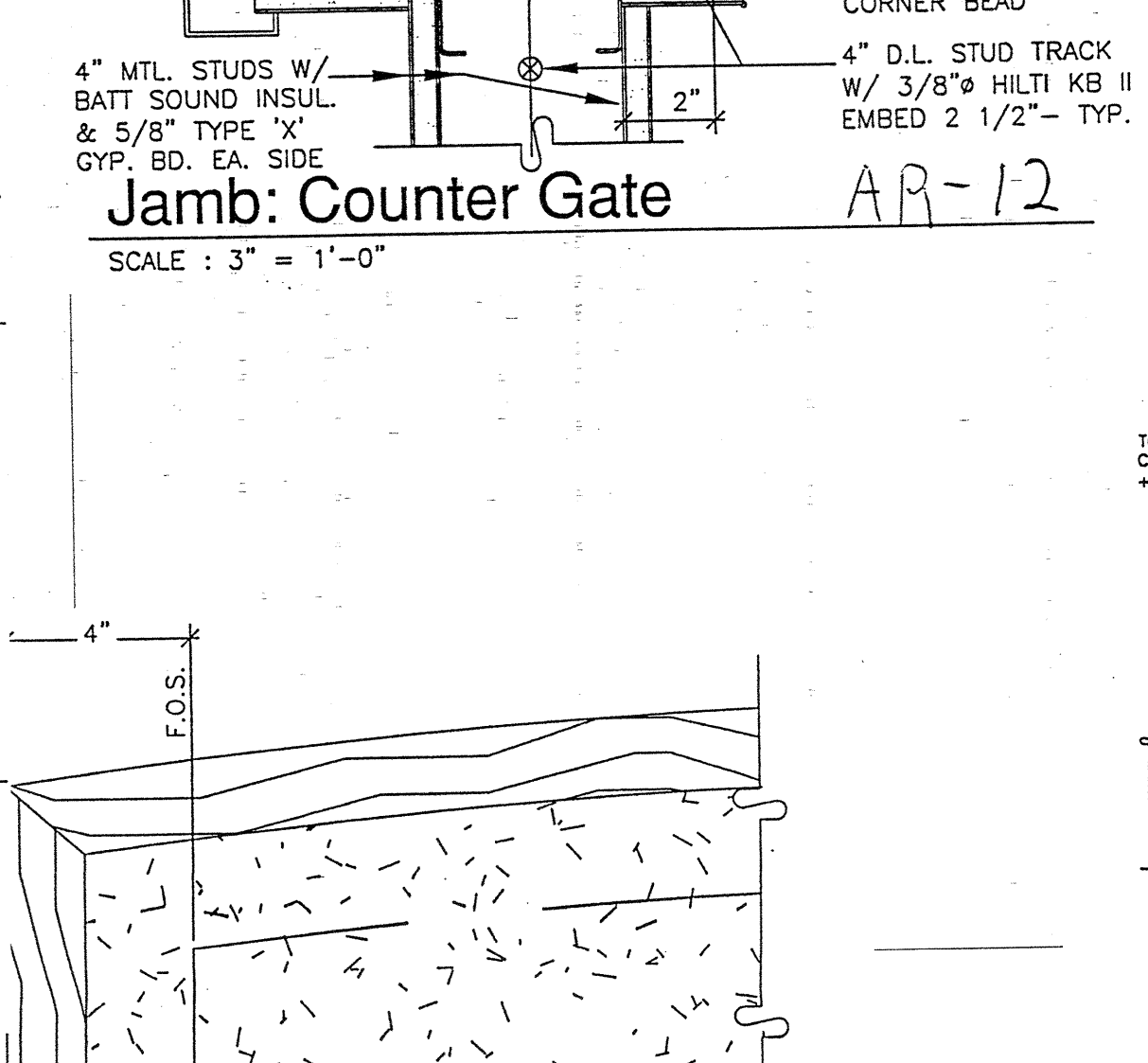
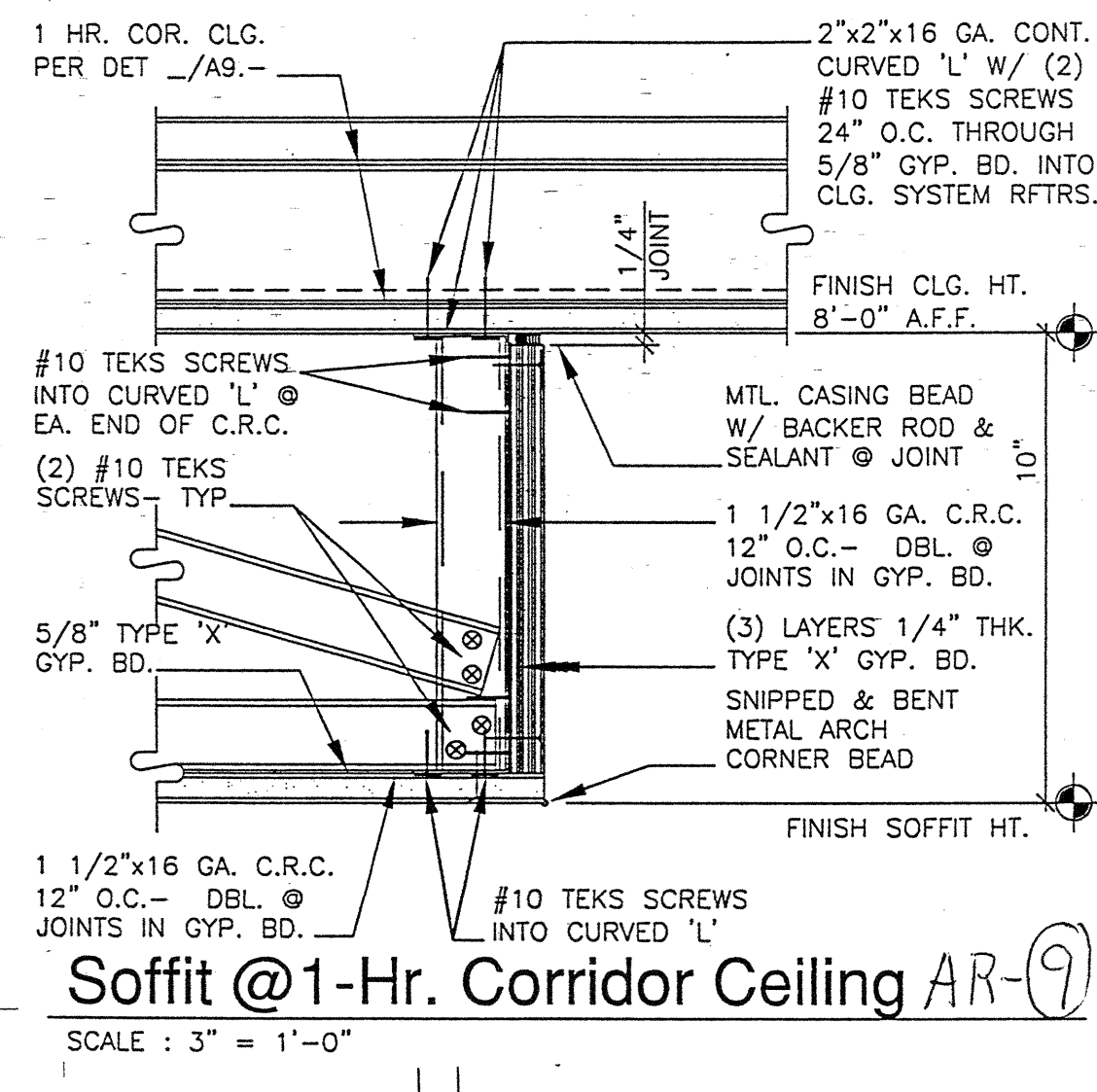
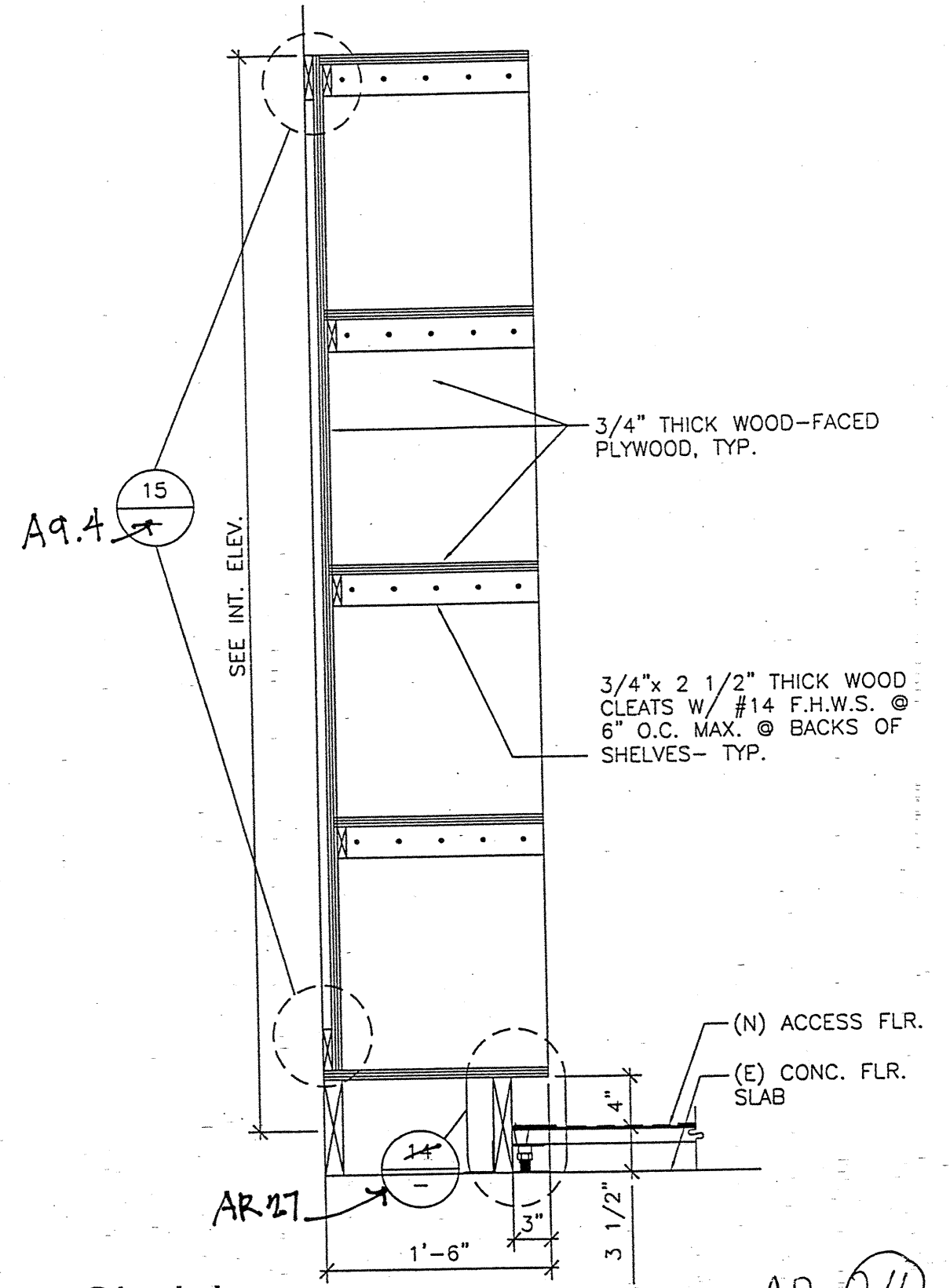
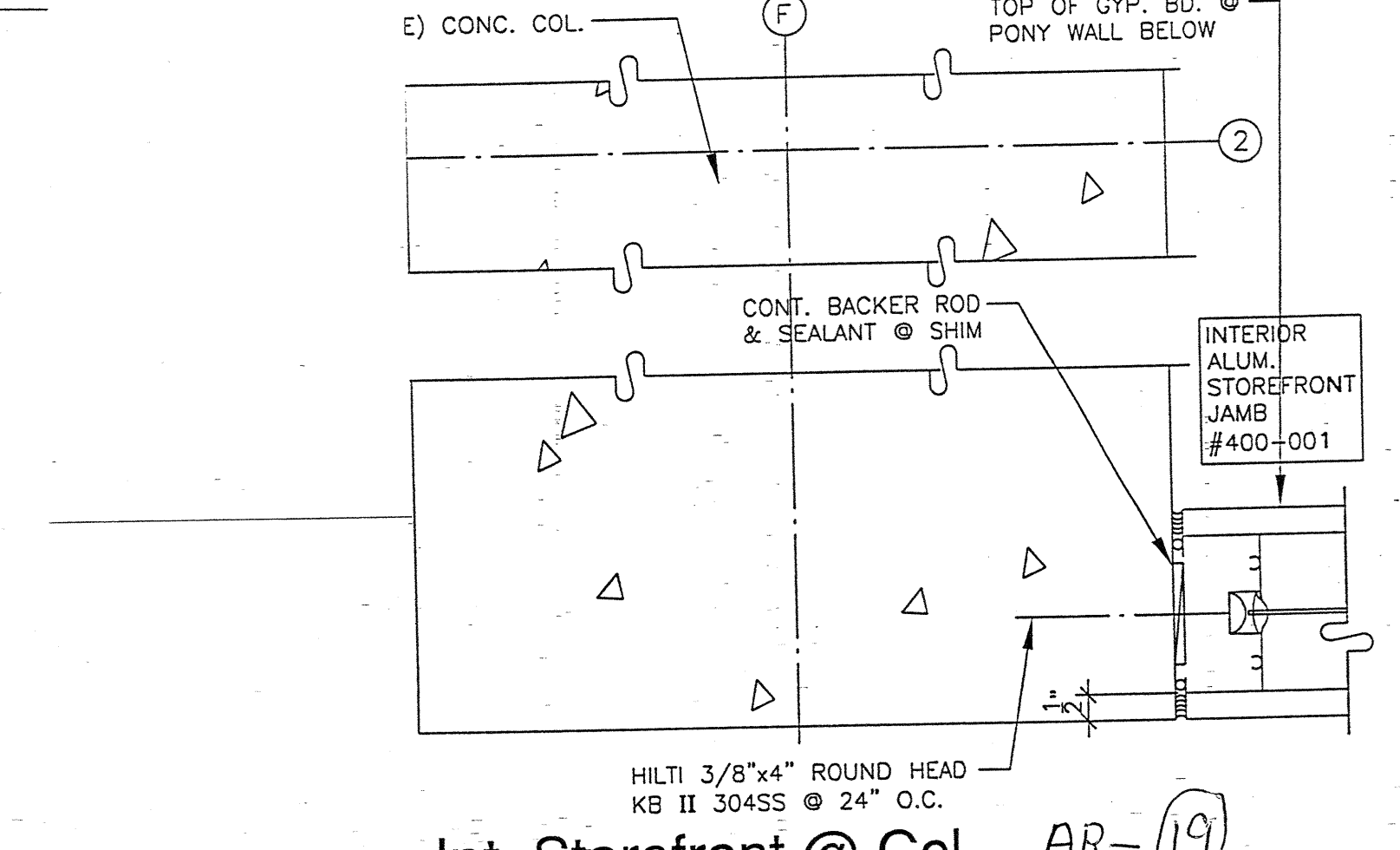
GERALD SHUSTA
PROJECT ARCHITECT

All ideas, design progress and plans indicated in this drawing are owned by and are the property of Kruger-Bensen-Ziemer, Inc. and shall remain the property of Kruger-Bensen-Ziemer, Inc. No part of this drawing shall be reproduced or transmitted in any form or by any means, electronic or mechanical, including photocopying, recording, or by any information storage and retrieval system, without the prior written permission of Kruger-Bensen-Ziemer, Inc.

CENTER FOR ADVANCED LEARNING TECHNOLOGY
SKYLINE COLLEGE
SAN MATEO COUNTY COMMUNITY COLLEGE DISTRICT
SAN BRUNO, CALIFORNIA 94066
3300 COLLEGE DRIVE



- NUMBERED NOTES (THIS DETAIL ONLY)**
- TOP OF (E) CONC. RAMP VARIES FROM 100'-0" TO 98'-0"
 - #4 x 12" DOWEL INTO 3/4" x 6" DRILLED HOLE - SET IN 'SIKADUR 32' EPOXY @ 18" O.C.
 - CLEAN SAND FILL OVER (E) CONC. RAMP SLAB
 - (N) 4" CONC. FLR. SLAB W/ #3 @ 18" O.C. EA. WAY
 - CONT. #4 HORIZ. @ 3" FROM TOP
 - #4 BENT BAR INTO 3/4" x 6" DRILLED HOLE SET IN 'SIKADUR 32' EPOXY @ 18" O.C.
 - CONT. #4 @ 3" FROM BOTTOM



3/8/2019 1:04 PM F:\1_01_26_15_35_51_01.dwg

ASBUILTS

NO.	DESCRIPTION	DATE	BY

DRAWN LUL
CHECKED SD
DATE 3/21/01
JOB NO. 98-03
SHEET TITLE
CEILING DETAILS
AR - SHEETS
SHEET 18
A 9.1 (B)

