

KRUGER BENSEN ZIEMER  
ARCHITECTS, INC. AIA  
30 W. ARRELLAGA SANTA BARBARA, CA  
805/963.1728 83101

STEVE DOWTY, A.I.A.  
PRINCIPAL IN CHARGE

GERALD SHUSTA  
PROJECT ARCHITECT

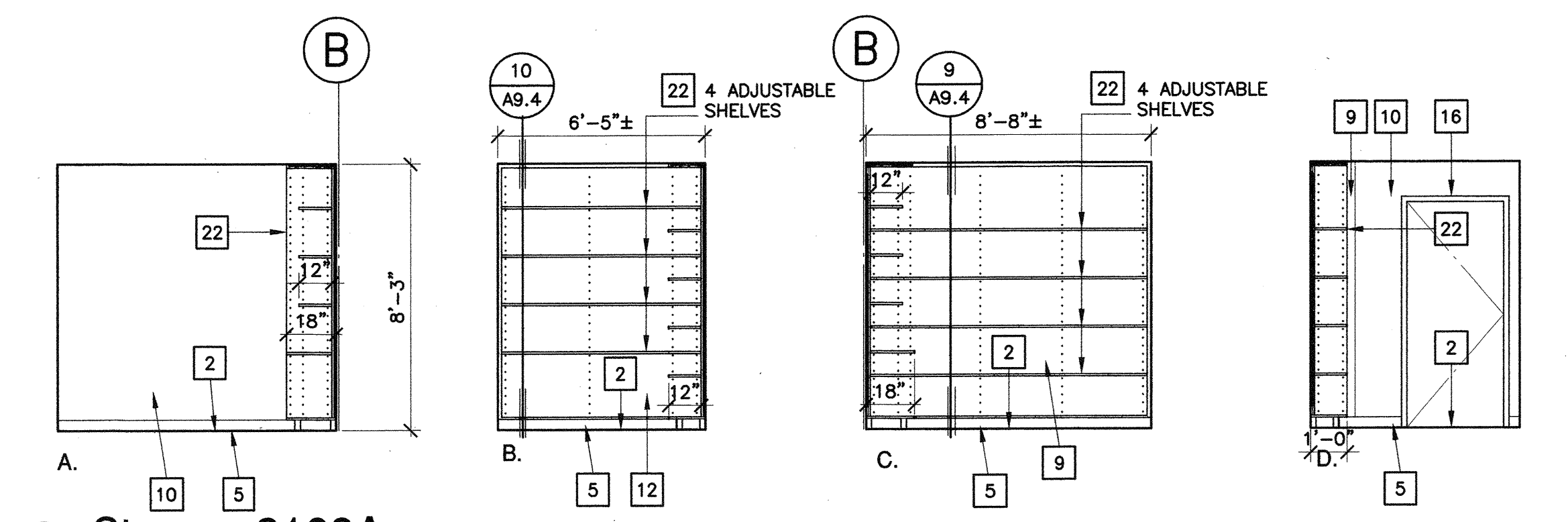
All design, design development and plans indicated or represented by this drawing are made by and for the property of Kruger-Bensen-Ziemer, AIA, architects, and every effort will be made to protect the property of Kruger-Bensen-Ziemer, AIA, architects. No part of this drawing, design, design development or plans shall be used by or for any other project, in whole or in part, without the written permission of Kruger-Bensen-Ziemer.

CENTER FOR ADVANCED LEARNING TECHNOLOGY  
SKYLINE COLLEGE  
SAN MATEO COUNTY COMMUNITY COLLEGE DISTRICT  
SAN BRUNO, CALIFORNIA 94066  
3300 COLLEGE DRIVE

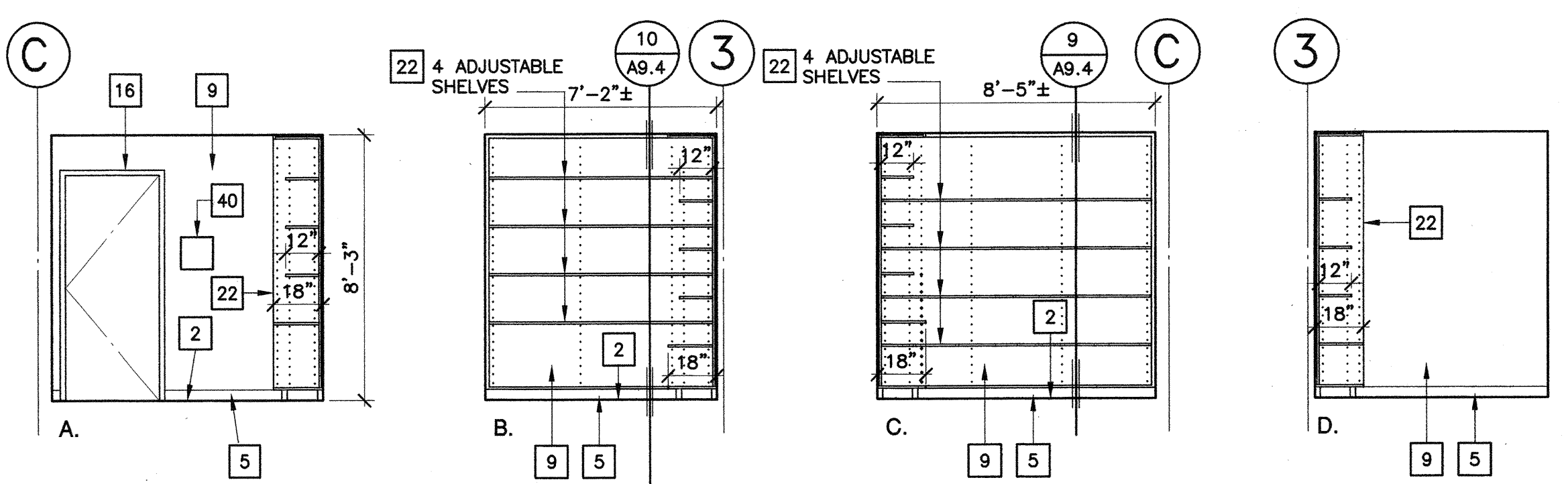
Numbered Notes: THIS SHEET ONLY

- 1 (E) CONC. SLAB W/ (N) VINYL COMPO. FLR. TILE.
- 2 (N) 3" HIGH ACCESS FLOOR SYSTEM OVER (E) CONC. SLAB.
- 3 (N) 27" HIGH ACCESS FLOOR SYSTEM OVER (E) CONC. SLAB.
- 4 (N) ACCESS FLOOR RAMP SYSTEM.
- 5 (N) 4" HIGH RUBBER BASE
- 6 (N) EXTERIOR ALUM. STOREFRONT GLAZING SYSTEM.
- 7 (N) INTERIOR ALUM. STOREFRONT GLAZING SYSTEM.
- 8 (N) HOLLOW METAL FRAME W/ GLAZING (45 MINUTE @ CORR. 'E')
- 9 (E) GYP. BD.
- 10 (N) GYP. BD.
- 11 (E) EXPOSED CONC. COL.
- 12 (E) EXPOSED CONC. WALL.
- 13 (E) CONC. WALL W/ PLASTER FIN.
- 14 (E) EXPOSED CONC. WALL PANEL W/ METAL FRAMED FIXED GL.
- 15 (E) DOOR
- 16 (N) DOOR
- 17 (N) HANDRAIL
- 18 (N) OPERABLE WALL PANELS (SHOWN IN STACKED POSITION).
- 19 (N) STD. HT. BASE CAB. & TOP W/ W.I.C. DESIGN SERIES NUMBER- SEE DET. 6/A9.4 & 8/A9.4
- 20 (N) WALL CAB W/ W.I.C. DESIGN SERIES NUMBER - SEE DET. 5/A9.4
- 21 ACCESS FLOOR TRANSITION RAMP. SEE -/-
- 22 (N) ADJUSTABLE SHELVES
- 23 (N) MARKER BOARD.
- 24 (N) WALL MOUNTED PROJECTION SCREEN, (ELECTRIC OR MANUAL). SEE -/-
- 25 (N) DRAPERY POCKET W/ ELECTRIC ROLL DOWN SHADES.
- 26 (E) GYP. BD. SOFFIT.
- 27 (N) GYP. BD. SOFFIT
- 28 (E) EXPOSED CONC. WAFFLE SLAB
- 29 (N) SUSPENDED LIGHT FIXT.- SEE ELECT.
- 30 (N) EXPOSED H.V.A.C. DUCT- SEE MECH.
- 31 (N) HEAD TRACK @ (N) OPERABLE WALL.
- 32 (E) CONC. SLAB W/ (E) VINYL COMPO. FLR. TILE.
- 33 (E) 4" HIGH RUBBER BASE.
- 34 (E) F.E. CAB.
- 35 (E) ELEV. DR.
- 36 (N) SLIDING PANELS IN FRONT OF (N) ADJUST. SHELVES.
- 37 (E) ELECT. PANEL.
- 38 (N) ACCESSIBLE WORK STATION. SEE -/-  
TOP @ +30" W/ 28" H. x 38" W. x 24" D. CLR. KNEE SPACE
- 39 (N) HORIZ. STABILIZING CABLE TO MATCH SUSPENSION CABLE LIGHT FIXTS. TO STRUCT. IN WALL OR SOFFIT SOFFIT- SEE -/-
- 40 (N) SIGN- SEE DOOR SCHEDULE
- 41 (E) EXPO. H.V.A.C. DUCT TO BE REMOVED- PATCH (E) OPENING W/ MTL. STUDS & GYP. BD. TO MATCH (E)- SEE MECH.
- 42 (N) CONT. SURF. MTD. ELECT. STRIP MOULDING- SEE ELECT.

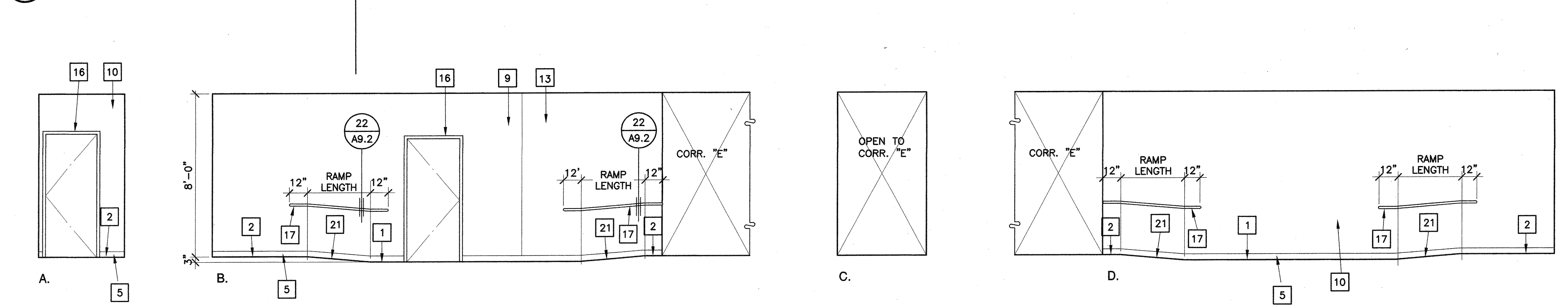
3"0 OR 3 1/2" VERIFY W/ MANUF.



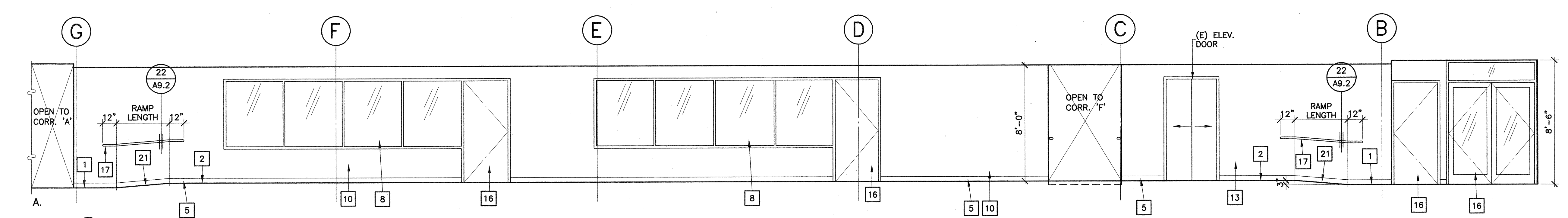
1 Storage 2109A  
SCALE: 1/4" = 1'-0"



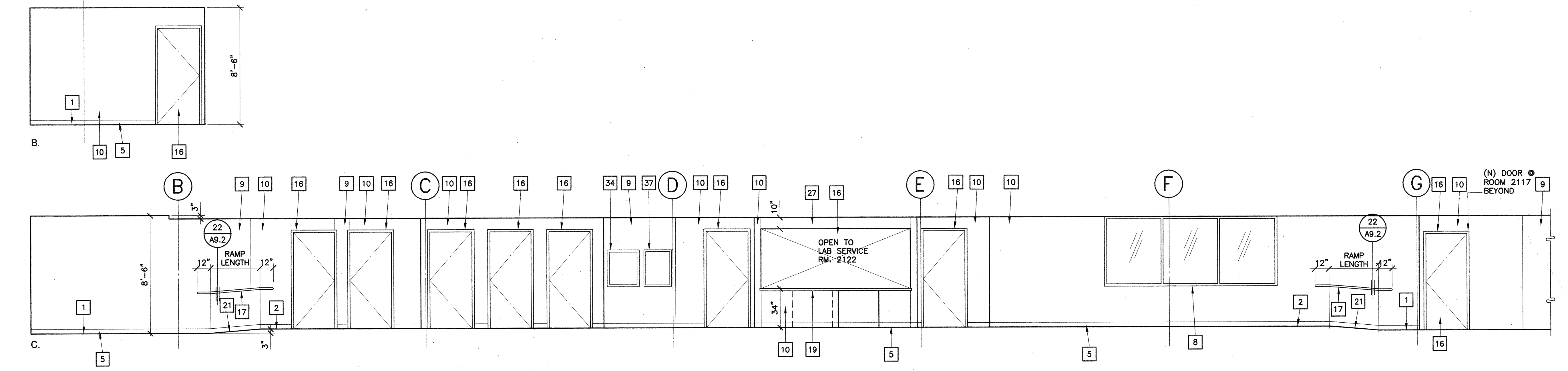
2 Storage 2109B  
SCALE: 1/4" = 1'-0"



3 Corridor "F"  
SCALE: 1/4" = 1'-0"



4



4 Corridor "E"  
SCALE: 1/4" = 1'-0"



IDENTIFICATION STAMP  
DIV. OF THE STATE ARCHITECT  
OFFICE OF REGULATION SERVICES  
No. C-11153  
APPL 01-103735  
DATE 04/21/01

NO.	DESCRIPTION	DATE	BY

DRAWN	LJL
CHECKED	SD
DATE	3/21/01
JOB NO.	98-03
SHEET TITLE	INTERIOR ELEVATIONS

J:\cadd\01\9803\9803a5\_1.dwg, FRI Oct 26 05:28:00 2001