

REVISION	DESCRIPTION	MINI.	DATE
1	RECORD DRAWINGS		4/19/09

ISSUED FOR PROGRESS REVIEW	3/4/02
ISSUED FOR PLAN CHECK	4/15/02
ISSUED FOR PERMIT	7/22/02
ISSUED FOR BID	
ISSUED FOR CONSTRUCTION	

Rhine & Peterson
STRUCTURAL ENGINEERS
 1511 San Antonio Road, Suite 200
 Palo Alto, CA 94304
 Tel: 650.326.6600
 Fax: 650.326.6601

INTERACTIVE
 R E S O U R C E S
 ARCHITECTURE-PLANNING-ENGINEERING
 117 PARK PLACE
 POINT RICHMOND
 CALIFORNIA 94801
 (910) 238-7435
 (FAX) 232-5325
 http://www.interactive.com

PROJECT:
BUILDING 18
SEISMIC
REHABILITATION

SAN MATEO CO. COMMUNITY
 COLLEGE DISTRICT

COLLEGE OF SAN MATEO
 3401 CSM DRIVE
 SAN MATEO, CA 94402

IDENTIFICATION STAMP
 DIVISION OF THE STATE ARCHITECT
 APR. 01--10658
 AS _____ RS _____ SS _____
 DATE _____

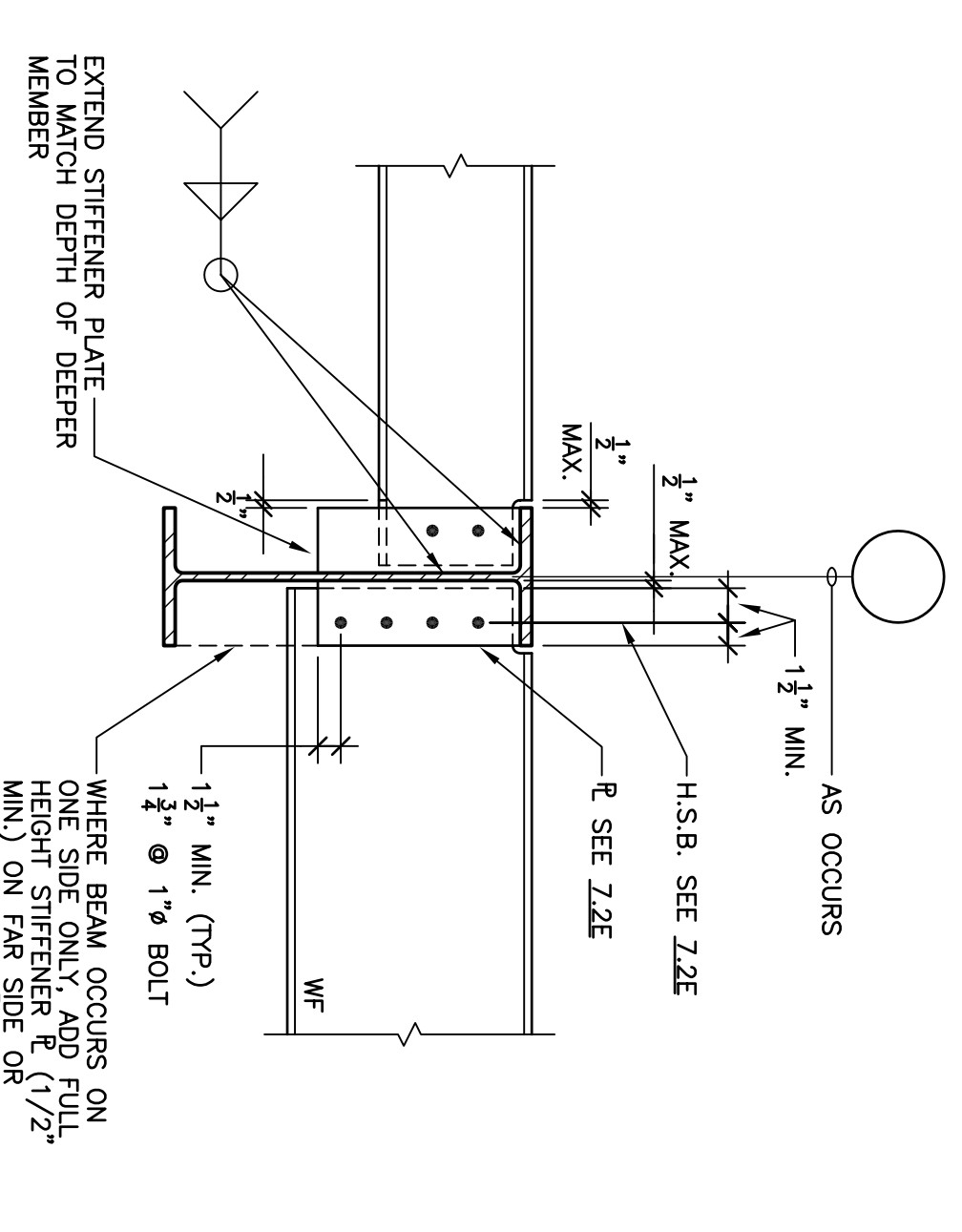
SHEET TITLE:
TYPICAL
STEEL
DETAILS

PROJ. NO. AS9003.41
 DRAWN BY _____
 DESIGNED BY _____
 CHECKED BY _____
 PEER REVIEW _____
 SHEET NUMBER:
S7.2

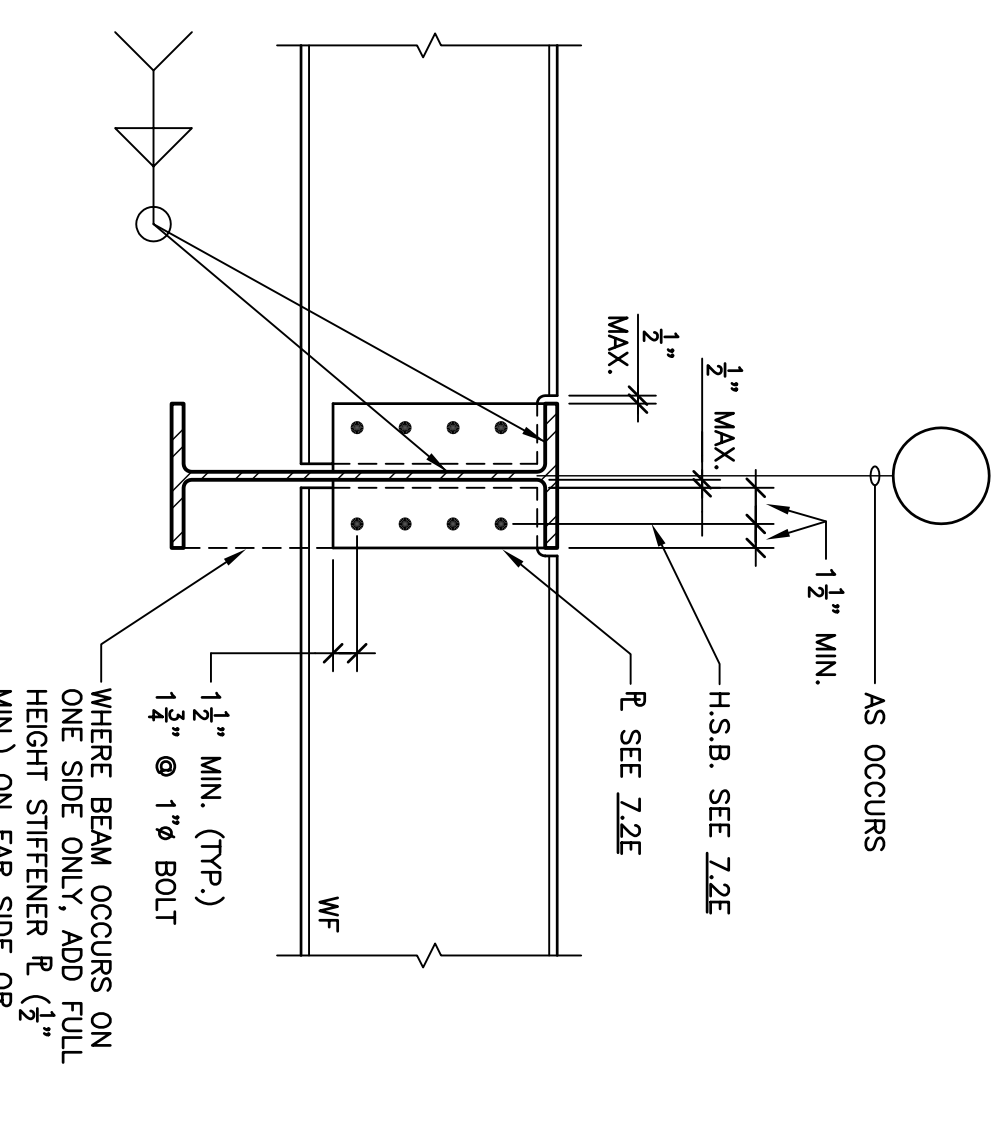
NUMBER OF _____

BEAM SIZE	PLATE THK.	WELD SIZE	A325-SC-BOLTS	PITCH
WB, W10	3/8"	3/8"	2 - 3/4"	3"
W12, W14	3/8"	3/8"	3 - 3/4"	3"
W16	3/8"	3/8"	4 - 3/4"	3"

7.2E BEAM CONNECTION SCHEDULE

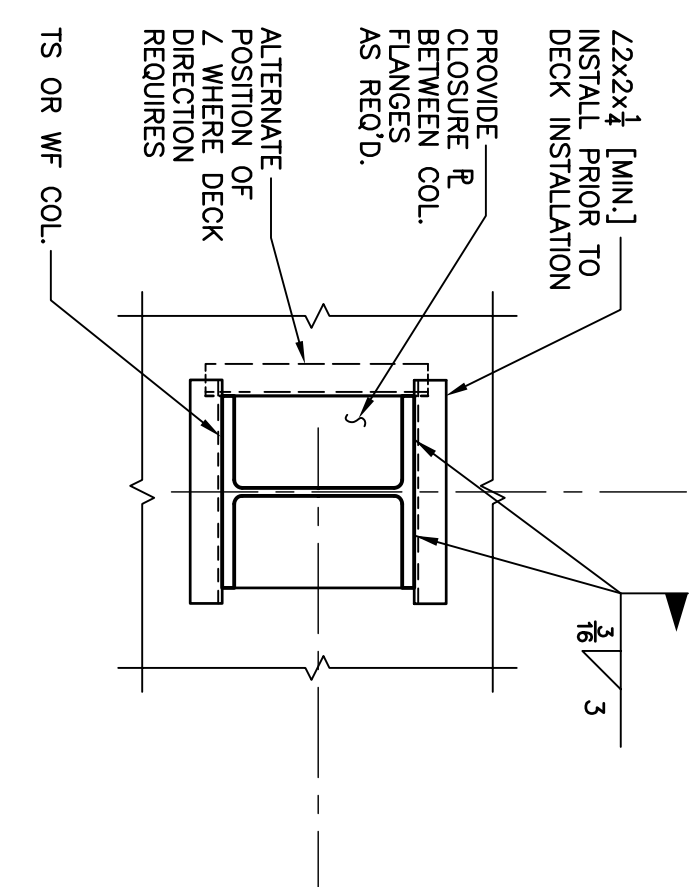


7.2D TYPICAL BEAM TO GIRDER CONN.

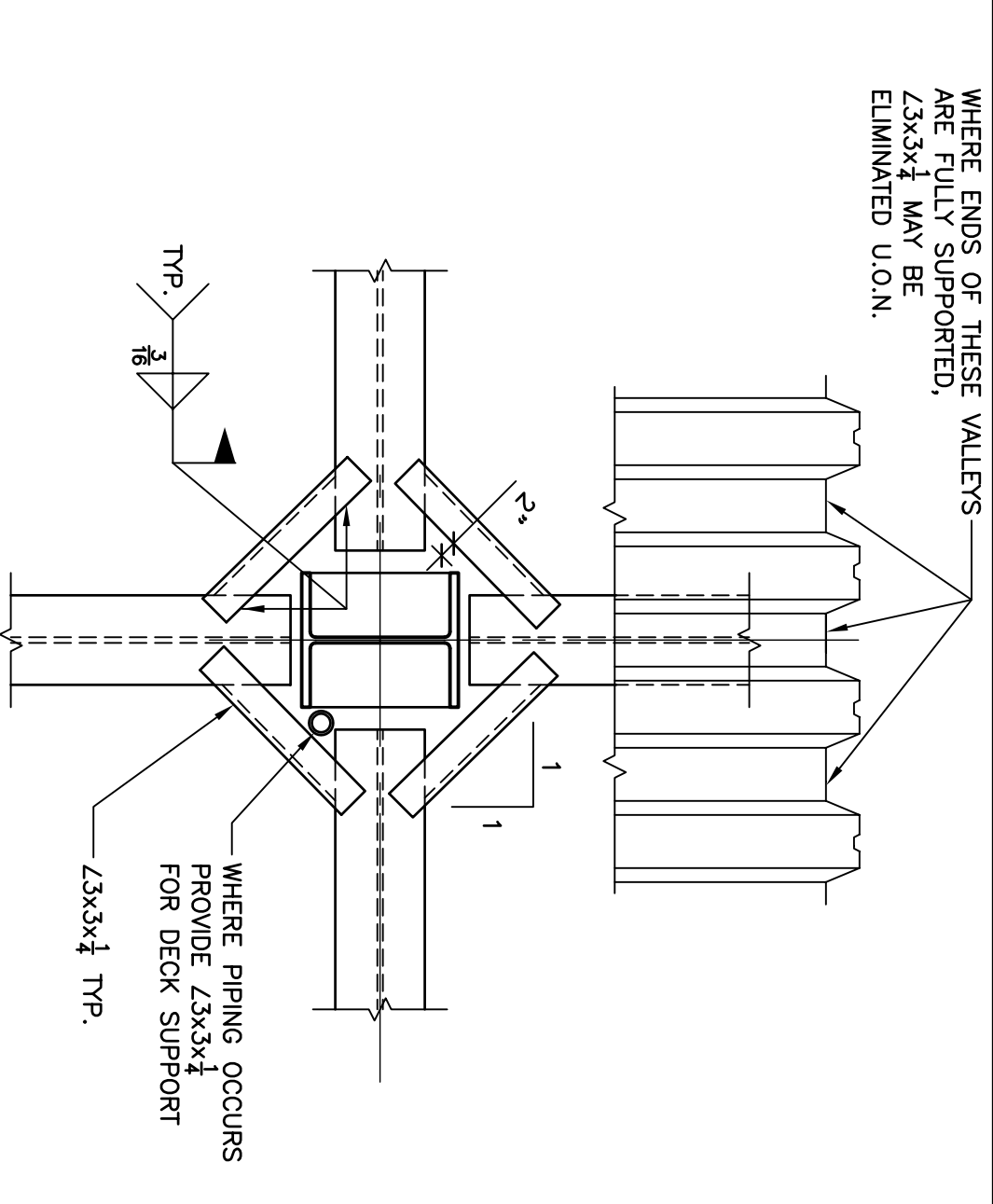


7.2C TYPICAL BEAM TO GIRDER CONN.

7.2B TYP. DECK SUPPORT AT COLUMN



7.2A METAL DECK SUPPORT AT COL.

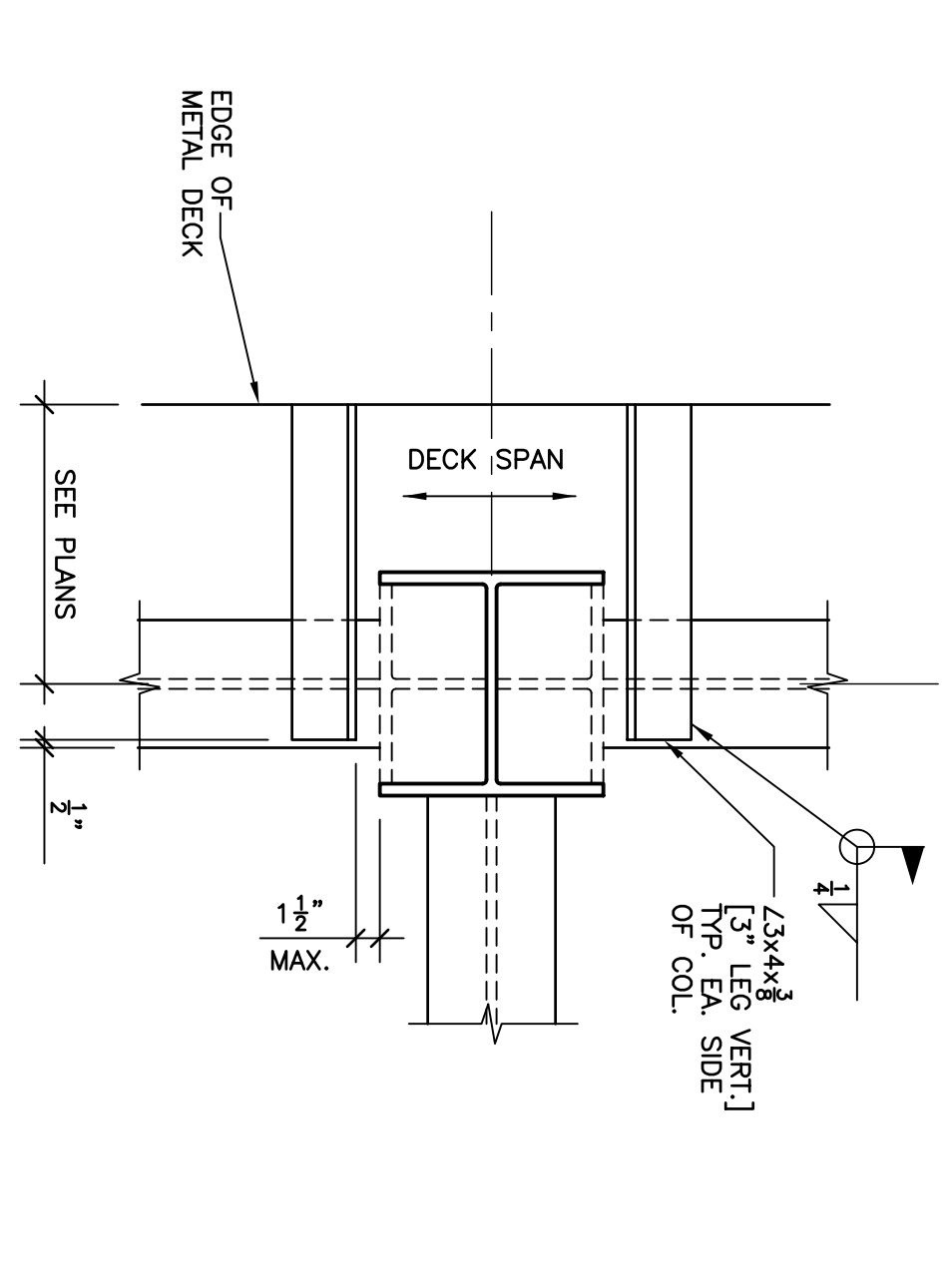


METAL DECK SCHEDULE

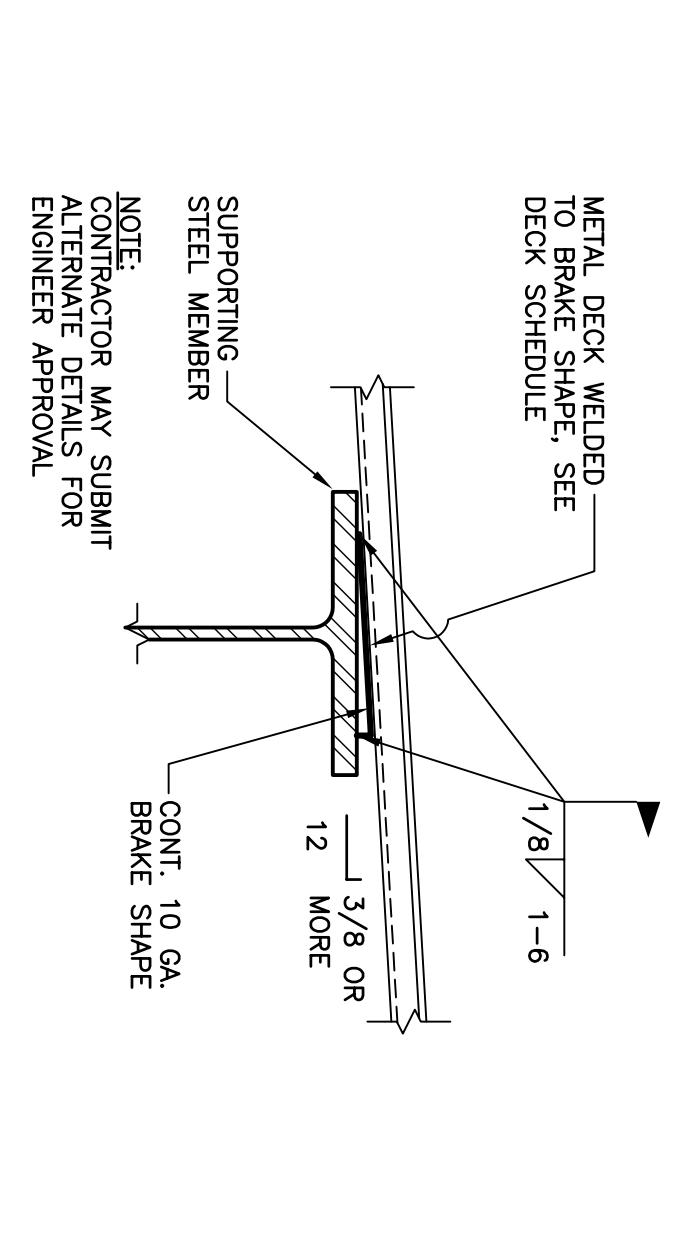
MARK	DECK TYPE	TRANSVERSE SUPPORT ATTACHMENT	PARALLEL SUPPORT ATTACHMENT	SEAM ATTACHMENT	REINFORCING
1	VERCO W3 FORMLOCK - 18GA. DECK w/ 4 1/2" L.W. CONC. FILL	4 PUDDLE WELDS PER 36" SHEET	PUDDLE WELDS @ 12" o.c.	BUTTON PUNCH @ 12" o.c.	#4 @ 12" o.c. E.W.
2	VERCO HSB-36 - 18GA. DECK	5 PUDDLE WELDS PER 36" SHEET	PUDDLE WELDS @ 12" o.c.	BUTTON PUNCH @ 12" o.c.	

- METAL DECK NOTES:
- DECKS SHOWN REFER TO VERCO® PRODUCTS UNLESS OTHERWISE NOTED. SEE GBD REPORT 20789 (2002) FOR VERCO PRODUCT INFORMATION. VERCO MANUFACTURERS SHALL BE SUBMITTED TO THE ARCHITECT FOR APPROVAL. FORM DECK UNITS IN OTHERWISE NOTED.
 - PUDDLE WELDS ARE 1/2" MINIMUM EFFECTIVE DIAMETER. SEAM WELDS ARE 1/2" LONG MINIMUM.
 - WHEN DECK BEARS ON A STEEL MEMBER WITH A SLOPE OF MORE THAN 3/8" IN 12", PROVIDE A 10 gp.
 - PROVIDE 12 gp. CLOSURE AT CONCRETE AROUND OPENINGS. REINFORCE WITH 2-#4 CONTINUOUS CORNER WELDS BEYOND EXTENSION IS NOT POSSIBLE. BRAKE SHAPE AS PER Z2K.
 - AT ENDS OF CONCRETE DECKS PROVIDE CLOSURE TO PREVENT CONCRETE FROM FLOWING OUT.

7.2G



7.2F DECK EDGE CONDITION



7.2K METAL DECK WELDED TO SUPPORTING STEEL MEMBER

R & P JOB No. MO037.001
 PRINCIPAL-IN-CHARGE PM
 DRAWER No. _____
 REMARKS:

1 2 3 4 5 6 7 8 9 10 11 12 13 14 15 16 17 18 19 20 21 22 23 24 25 26 27 28 29 30
 A B C D E F G H I J K L M N O P Q R S T U V W X Y Z
 MO157Z.dwg 6-11-02 8:34:40 am