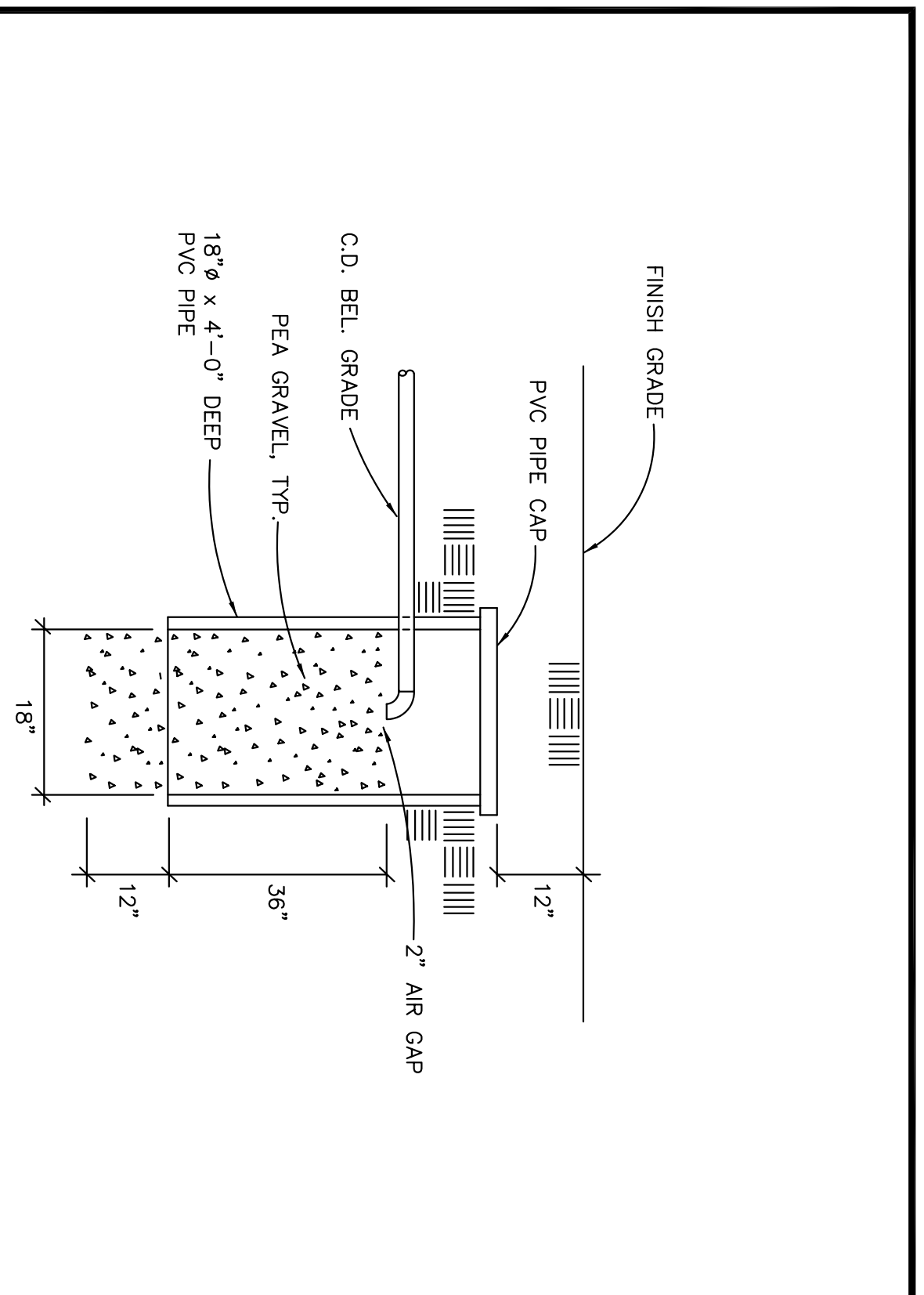
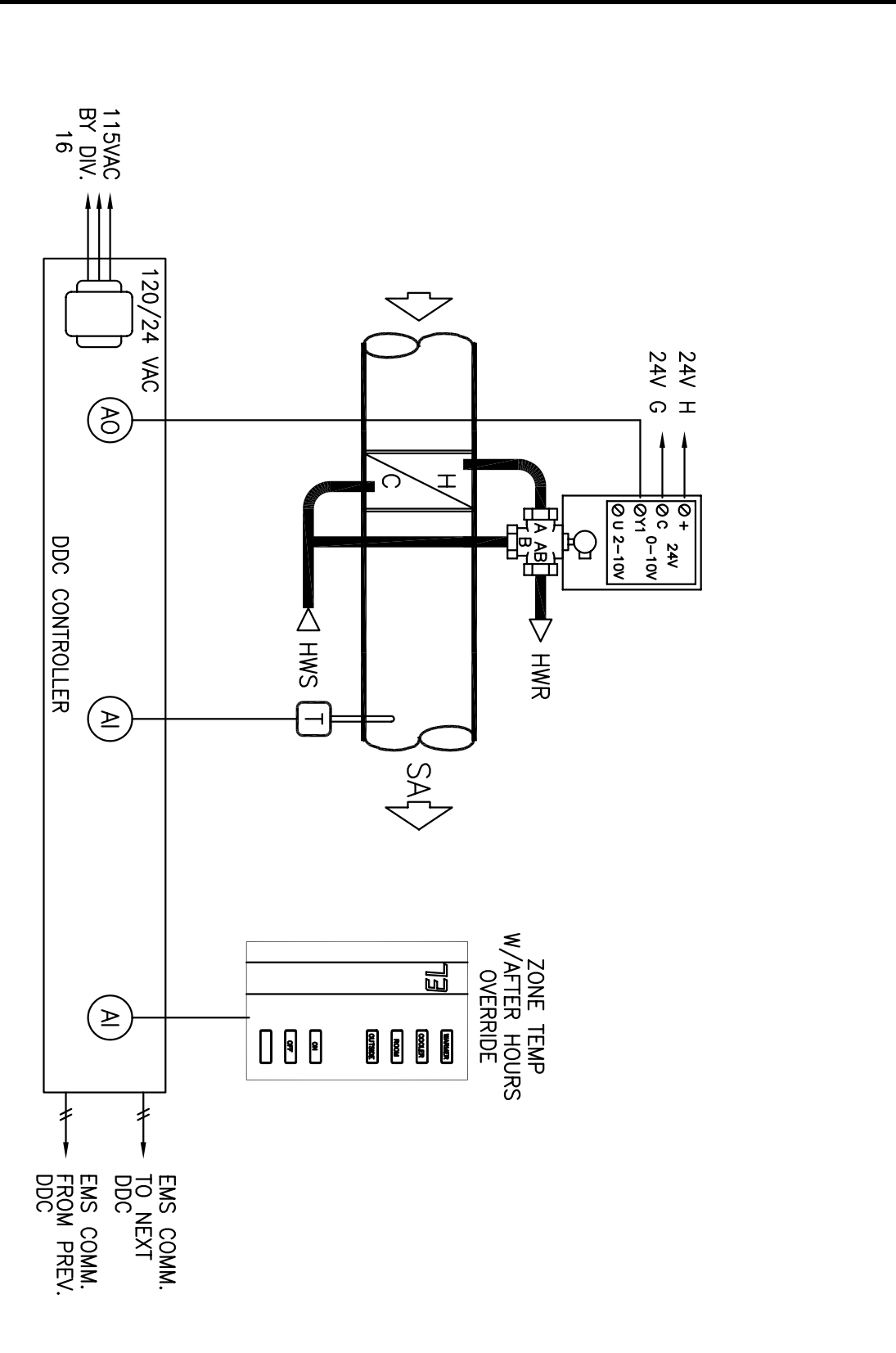


**1 Ductless Split System Heat Pump Unit Control** NOT TO SCALE

(Typical for FC-1 through FC-6/FP-6)



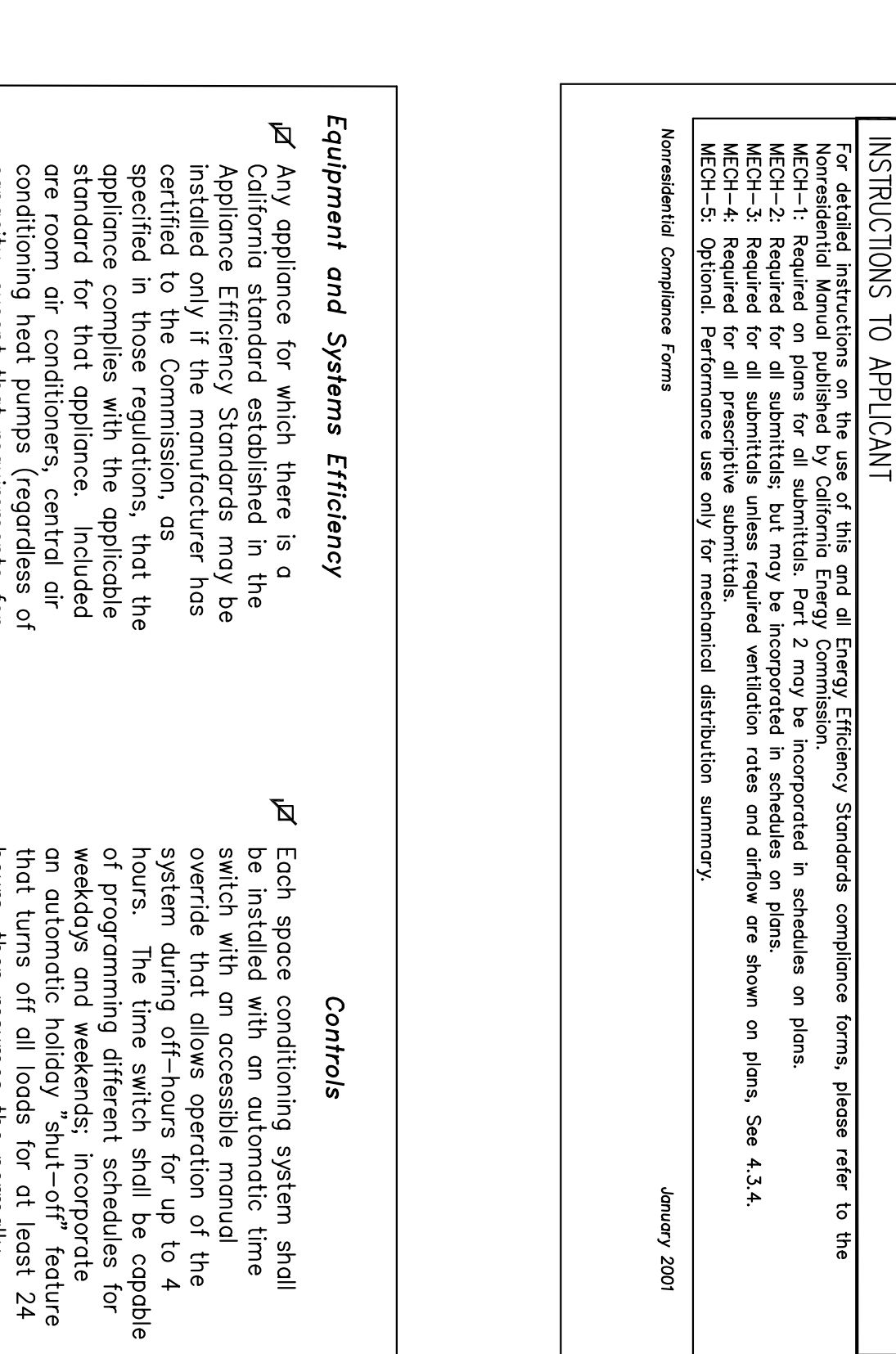
**4 Detail - Exterior Dry Sump** NOT TO SCALE



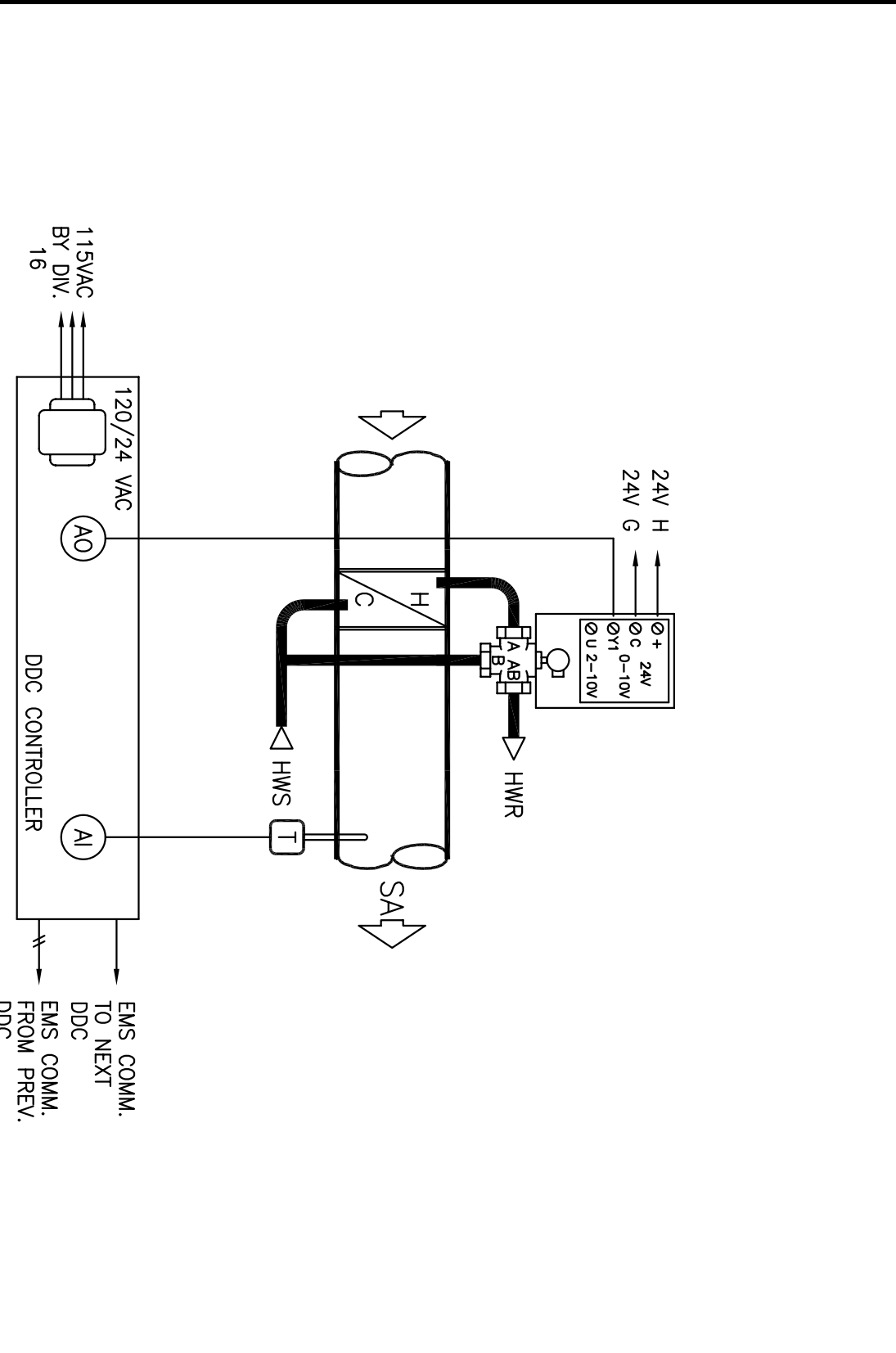
**2 Typical Zone Reheat Coil Control** NOT TO SCALE



**3 Duct Tempering Coil Control** NOT TO SCALE



**5** NOT TO SCALE



**6** NOT TO SCALE

CERTIFICATE OF COMPLIANCE (Part 1 of 2)		MECH-1
PROJECT NAME	COLLEGE OF SAN MATEO - BUILDING 18 MODERNIZATION	DATE 3/3/04
PROJECT ADDRESS	3401 CSM DRIVE, SAN MATEO, CA 94402	TELEPHONE (415) 956-4220
DESIGNER	LETTER ENGINEERING, INC.	REGISTERED ENGINEER NO. 41595
PRODUCTION DRAWING NUMBER	ALEX C. BROWN	DATE 3/2/04
DATE OF THIS STATEMENT	3/3/04	
BUILDING TYPE	<input checked="" type="checkbox"/> NONRESIDENTIAL <input type="checkbox"/> HIGH RISE RESIDENTIAL <input type="checkbox"/> HOTEL/AIRTEL DORM ROOM	BUILDING ZONE 3
PHASE OF CONSTRUCTION	<input type="checkbox"/> NEW CONSTRUCTION <input checked="" type="checkbox"/> ADDITION <input checked="" type="checkbox"/> ALTERATION <input type="checkbox"/> RENOVATION (OR OTHER)	
REASON FOR COMPLIANCE	<input type="checkbox"/> PRE-EXISTING <input type="checkbox"/> PERFORMANCE <input type="checkbox"/> OTHER	
PHASE OF ENCLAVE COMPLIANCE	<input checked="" type="checkbox"/> PREVIOUS ENCLAVE PERMIT <input type="checkbox"/> ENCLAVE COMPLIANCE ATTACHED	
DATE OF THIS STATEMENT	3/3/04	

This Certificate of Compliance lists the building features and performance specifications need to comply with Title 24, Parts 1 and 6 of the California Code of Regulations. This certificate applies only to building mechanical requirements. The documentation proper herby certifies that the documentation is accurate and complete.

The Project Designer hereby certifies that the proposed building design represented in this set of construction documents is consistent with the other compliance forms and worksheets, with the specifications, and with any other requirements contained in sections 119 through 124, 126 through 129, 149 through 152, 194 and 195.

Please check one:

- I affirm that I am eligible under the provisions of Division 3 of the Business and Professions Code to sign this document as the person responsible for its preparation, and that I am licensed in the State of California as a civil engineer or mechanical engineer, or I am a licensed architect.
- I affirm that I am eligible under the exemption to Division 3 of the Business and Professions Code to sign this document as the person responsible for its preparation, and that I am a licensed contractor.

I affirm that I am eligible under the exemption to Division 3 of the Business and Professions Code to sign this document as the person responsible for its preparation, and that I am licensed in the State of California as a civil engineer or mechanical engineer, or I am a licensed architect.

(These sections of the Building and Professions Code are printed in full in the Supplemental Manual.)

TEMPERATURE, MECHANICAL, ELECTRICAL, PLUMBING, AND FIRE PROTECTION MEASURES

MECH-1: Required for all subdivisions but may be incorporated in schedules or plans as shown on plans. See 4.3.4.

MECH-2: Required for all subdivisions but may be incorporated in schedules or plans as shown on plans. See 4.3.4.

MECH-3: Required for all subdivisions but may be incorporated in schedules or plans as shown on plans. See 4.3.4.

MECH-4: Required for all subdivisions but may be incorporated in schedules or plans as shown on plans. See 4.3.4.

MECH-5: Optional. Performance use only for mechanical distribution summary.

Nonresidential Compliance Forms

January 2007

**MECHANICAL MANDATORY MEASURES** M3.2

**INSTRUCTIONS TO APPLICANT**

For detailed instructions on the use of this set of Energy Efficiency Standards compliance forms, please refer to the MECH-1. Required for all subdivisions but may be incorporated in schedules or plans as shown on plans. See 4.3.4.

MECH-2: Required for all subdivisions but may be incorporated in schedules or plans as shown on plans. See 4.3.4.

MECH-3: Required for all subdivisions but may be incorporated in schedules or plans as shown on plans. See 4.3.4.

MECH-4: Required for all subdivisions but may be incorporated in schedules or plans as shown on plans. See 4.3.4.

MECH-5: Optional. Performance use only for mechanical distribution summary.

Nonresidential Compliance Forms

January 2007

CERTIFICATE OF COMPLIANCE (Part 2 of 2)		MECH-1
PROJECT NAME	COLLEGE OF SAN MATEO - BUILDING 18 MODERNIZATION	DATE 3/3/04
PROJECT ADDRESS	3401 CSM DRIVE, SAN MATEO, CA 94402	TELEPHONE (415) 956-4220
DESIGNER	LETTER ENGINEERING, INC.	REGISTERED ENGINEER NO. 41595
PRODUCTION DRAWING NUMBER	ALEX C. BROWN	DATE 3/2/04
DATE OF THIS STATEMENT	3/3/04	
BUILDING TYPE	<input checked="" type="checkbox"/> NONRESIDENTIAL <input type="checkbox"/> HIGH RISE RESIDENTIAL <input type="checkbox"/> HOTEL/AIRTEL DORM ROOM	BUILDING ZONE 3
PHASE OF CONSTRUCTION	<input type="checkbox"/> NEW CONSTRUCTION <input checked="" type="checkbox"/> ADDITION <input checked="" type="checkbox"/> ALTERATION <input type="checkbox"/> RENOVATION (OR OTHER)	
REASON FOR COMPLIANCE	<input type="checkbox"/> PRE-EXISTING <input type="checkbox"/> PERFORMANCE <input type="checkbox"/> OTHER	
PHASE OF ENCLAVE COMPLIANCE	<input checked="" type="checkbox"/> PREVIOUS ENCLAVE PERMIT <input type="checkbox"/> ENCLAVE COMPLIANCE ATTACHED	
DATE OF THIS STATEMENT	3/3/04	

SYSTEM NAME	MECH-1	MECH-2	MECH-3	MECH-4	MECH-5
LINE CONTROL	S	B	B	B	B
STATION CONTROL	N/A	N/A	N/A	N/A	N/A
ISOLATION ZONES	N	N/A	N/A	N/A	N/A
HEAT PUMP PERFORMANCE	T	N	N	N	N
ELECTRIC HEAT	N	N/A	N/A	N/A	N/A
FAN CONTROL	N/A	N/A	N/A	N/A	N/A
VAV ANNUAL POSITION CONTROL	N/A	N/A	N/A	N/A	N/A
HEAT AND COOL SHUNT REEST	N	N	N	N	N
HEAT REJECTION CONTROL	N	N	N	N	N
EXHAUSTION	B	B	B	B	B
OUTDOOR DAMPER CONTROL	A	A	A	A	A
EXHAUSTION TYPE	A	A	A	A	A
DESIGN Q.A. AIR FLOW (MCH-3, COLUMN H)	900	150	1000	1000	1000
HEATING EQUIPMENT TYPE	HEAT PUMP	HEAT PUMP	HEAT PUMP	HEAT PUMP	HEAT PUMP
NAME AND MODEL NUMBER	SEE SH. M3.1	SEE SH. M3.1	SEE SH. M3.1	SEE SH. M3.1	SEE SH. M3.1
COOLING EQUIPMENT TYPE	HEAT PUMP	HEAT PUMP	HEAT PUMP	HEAT PUMP	HEAT PUMP
NAME AND MODEL NUMBER	SEE SH. M3.1	SEE SH. M3.1	SEE SH. M3.1	SEE SH. M3.1	SEE SH. M3.1
PIPE INSULATION REQUIRED?	Y	Y	Y	Y	Y
PIPE TYPE (SCHED., RETURN, ETC.)	REFG. SUCTION	REFG. SUCTION	REFG. SUCTION	REFG. SUCTION	REFG. SUCTION
HEATING DUCT LOCATION	N/A	N/A	N/A	N/A	N/A
COOLING DUCT LOCATION	N/A	N/A	N/A	N/A	N/A
DUCT TYPE (ALUMINUM?)	N/A	N/A	N/A	N/A	N/A

CODE TABLE	MECH-1	MECH-2	MECH-3	MECH-4	MECH-5
HEAT PUMP PERFORMANCE	Y	Y	Y	Y	Y
ELECTRIC HEAT	N	N	N	N	N
VAV ANNUAL POSITION CONTROL	N	N	N	N	N
HEAT AND COOL SHUNT REEST	N	N	N	N	N
HEAT REJECTION CONTROL	N	N	N	N	N
EXHAUSTION	N	N	N	N	N
OUTDOOR DAMPER CONTROL	N	N	N	N	N
EXHAUSTION TYPE	N	N	N	N	N
DESIGN Q.A. AIR FLOW (MCH-3, COLUMN H)	900	150	1000	1000	1000
HEATING EQUIPMENT TYPE	HEAT PUMP	HEAT PUMP	HEAT PUMP	HEAT PUMP	HEAT PUMP
NAME AND MODEL NUMBER	SEE SH. M3.1	SEE SH. M3.1	SEE SH. M3.1	SEE SH. M3.1	SEE SH. M3.1
COOLING EQUIPMENT TYPE	HEAT PUMP	HEAT PUMP	HEAT PUMP	HEAT PUMP	HEAT PUMP
NAME AND MODEL NUMBER	SEE SH. M3.1	SEE SH. M3.1	SEE SH. M3.1	SEE SH. M3.1	SEE SH. M3.1
PIPE INSULATION REQUIRED?	Y	Y	Y	Y	Y
PIPE TYPE (SCHED., RETURN, ETC.)	REFG. SUCTION	REFG. SUCTION	REFG. SUCTION	REFG. SUCTION	REFG. SUCTION
HEATING DUCT LOCATION	N/A	N/A	N/A	N/A	N/A
COOLING DUCT LOCATION	N/A	N/A	N/A	N/A	N/A
DUCT TYPE (ALUMINUM?)	N/A	N/A	N/A	N/A	N/A

REVISION DESCRIPTION INITIAL DATE

AS BUILT AB 11/20/05

ISSUED FOR PROGRESS REVIEW 08/29/04

ISSUED FOR PERMITS 03/02/04

ISSUED FOR BID

ISSUED FOR CONSTRUCTION

SCALE

REGISTERED PROFESSIONAL MECHANICAL ENGINEER

MICHAEL J. LETTER

12-31-06

NO. 22208

STATE OF CALIFORNIA

MECHANICAL ENGINEER

ARCHITECTURE • PLANNING • ENGINEERING

INTERACTIVE

117 PARK PLACE

POINT RICHMOND

CALIFORNIA 94801

(910) 238-7435

(FAX) 232-5325

http://www.interactive.com

PROJECT:

BUILDING NO. 18

(NORTH HALL)

MODERNIZATION

SAN MATEO CO. COMMUNITY COLLEGE DISTRICT

3401 CSM DRIVE

SAN MATEO, CA 94402

PROJ. NO. 2002-066.01

PREPARATION AND REVIEW

DRAWN BY: MM

DESIGNED BY: AB

CHECKED BY: MM

PIECED REVIEW: MM

SHEET NUMBER:

MECHANICAL DIAGRAMS AND TITLE 24 ENERGY COMPLIANCE

SHEET TITLE:

LETTER ENGINEERING, INC.

1651 Second Street

San Rafael, CA 94901

(415) 456-4220

(415) 456-0288 fax

MECH-1

MOD

M3.2

OF