

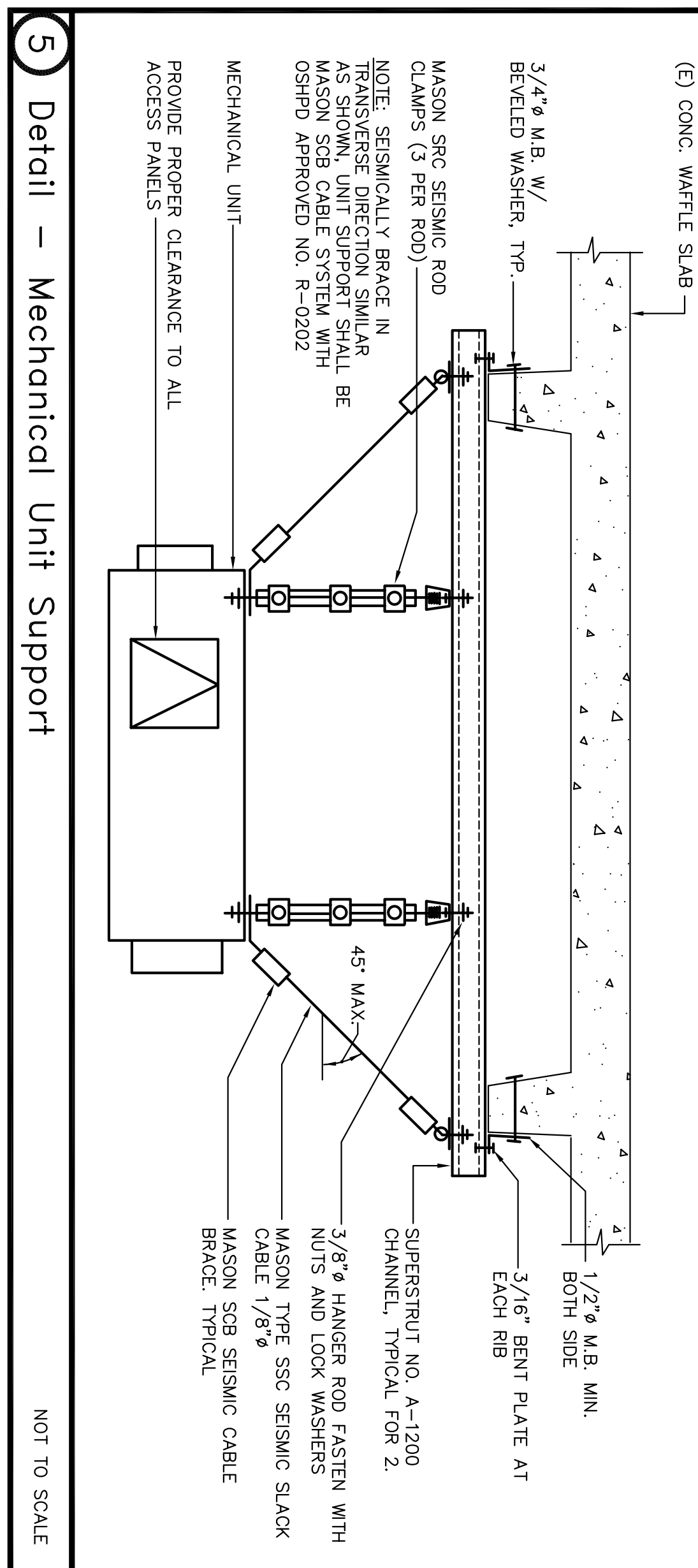
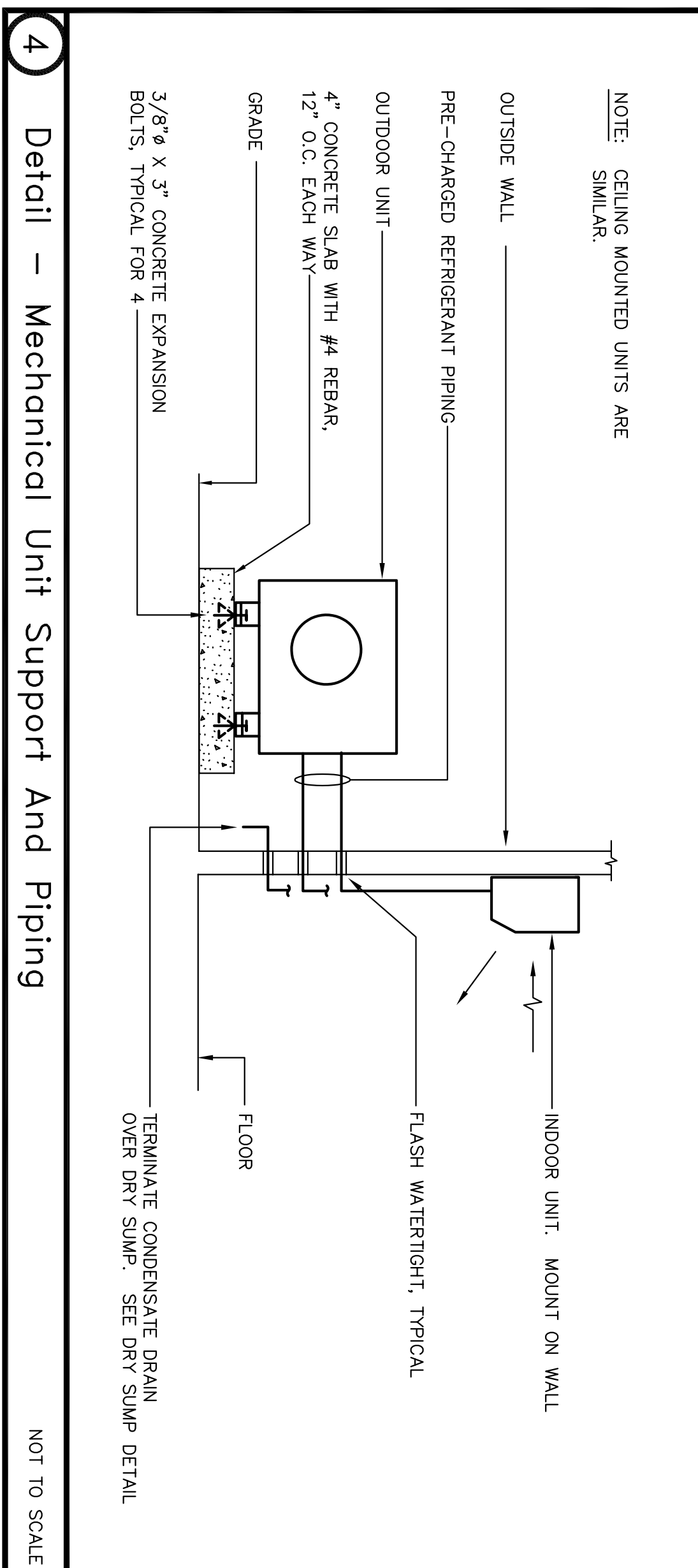
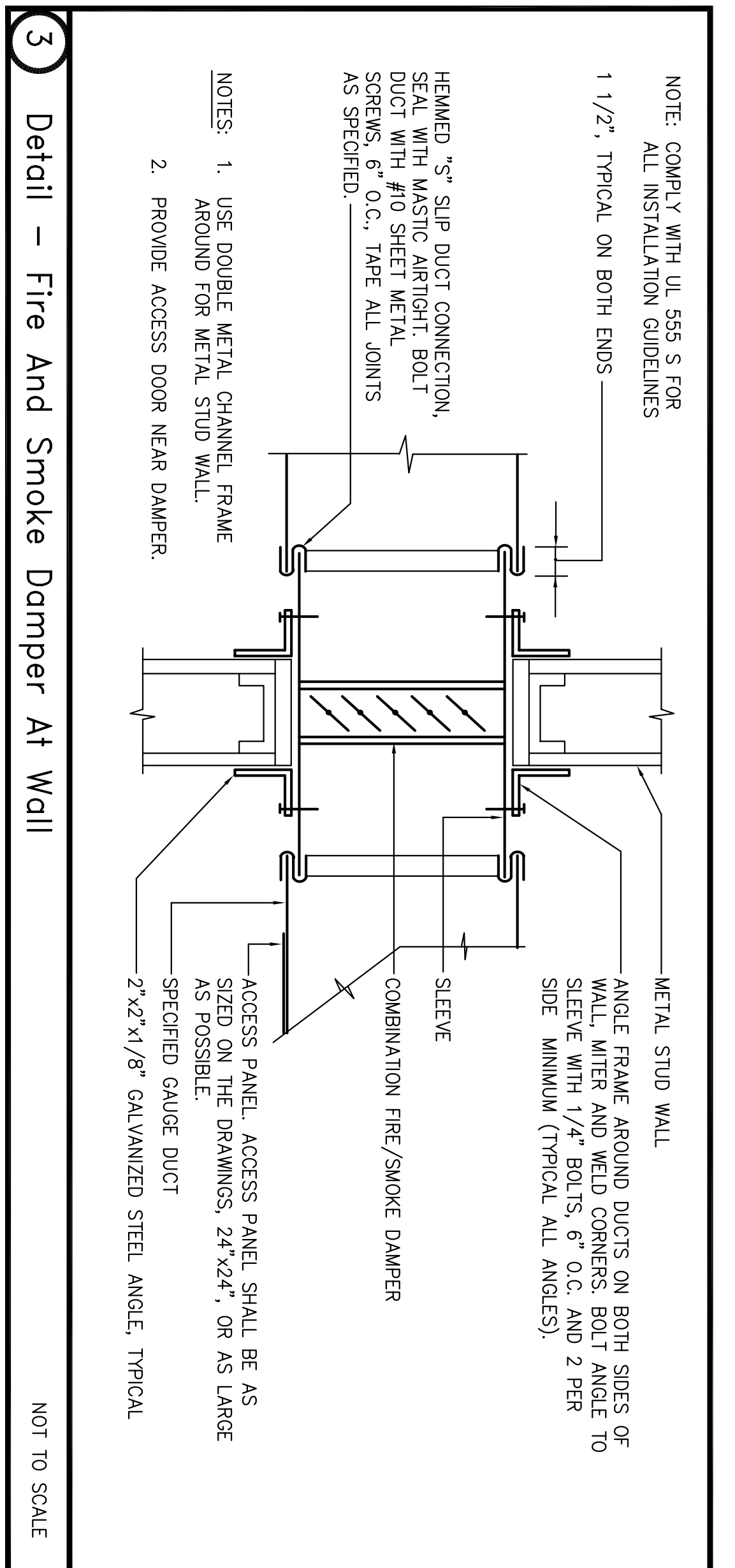
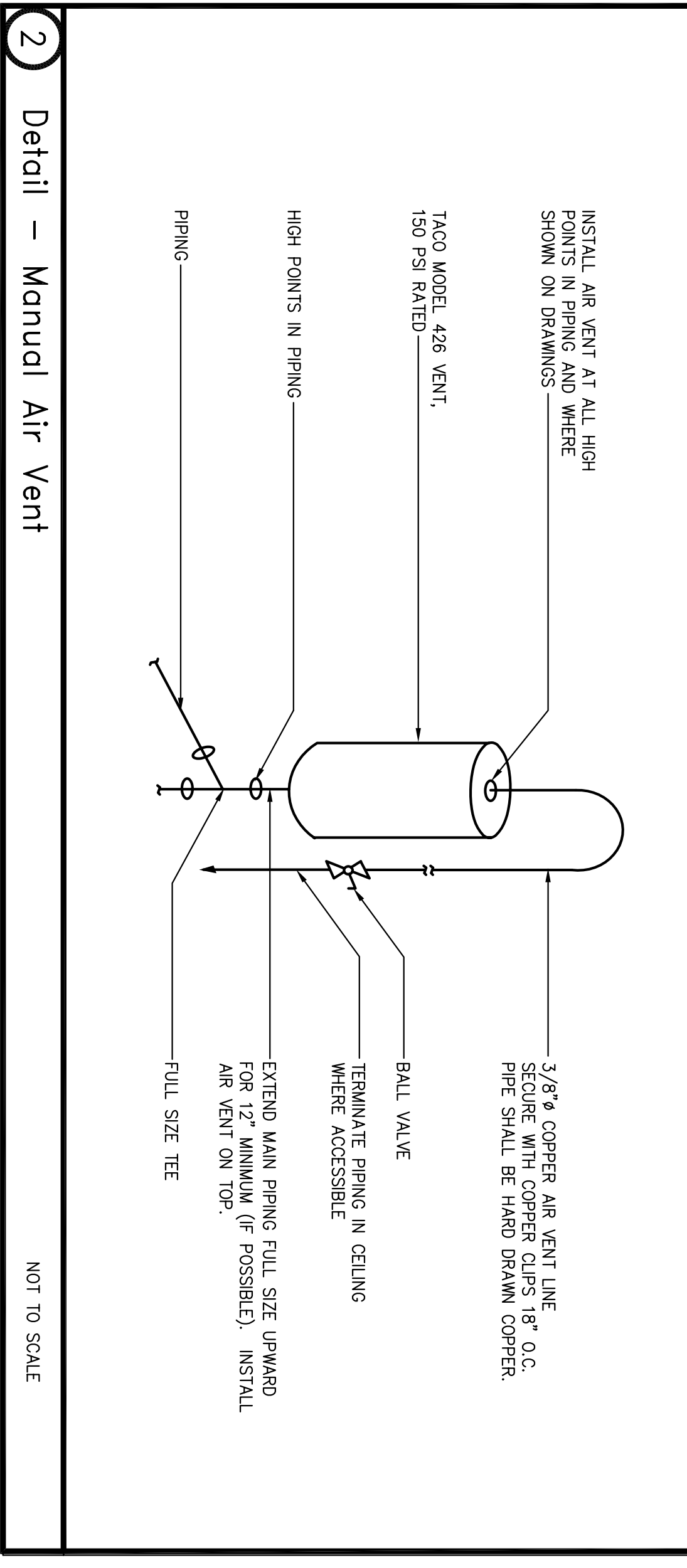
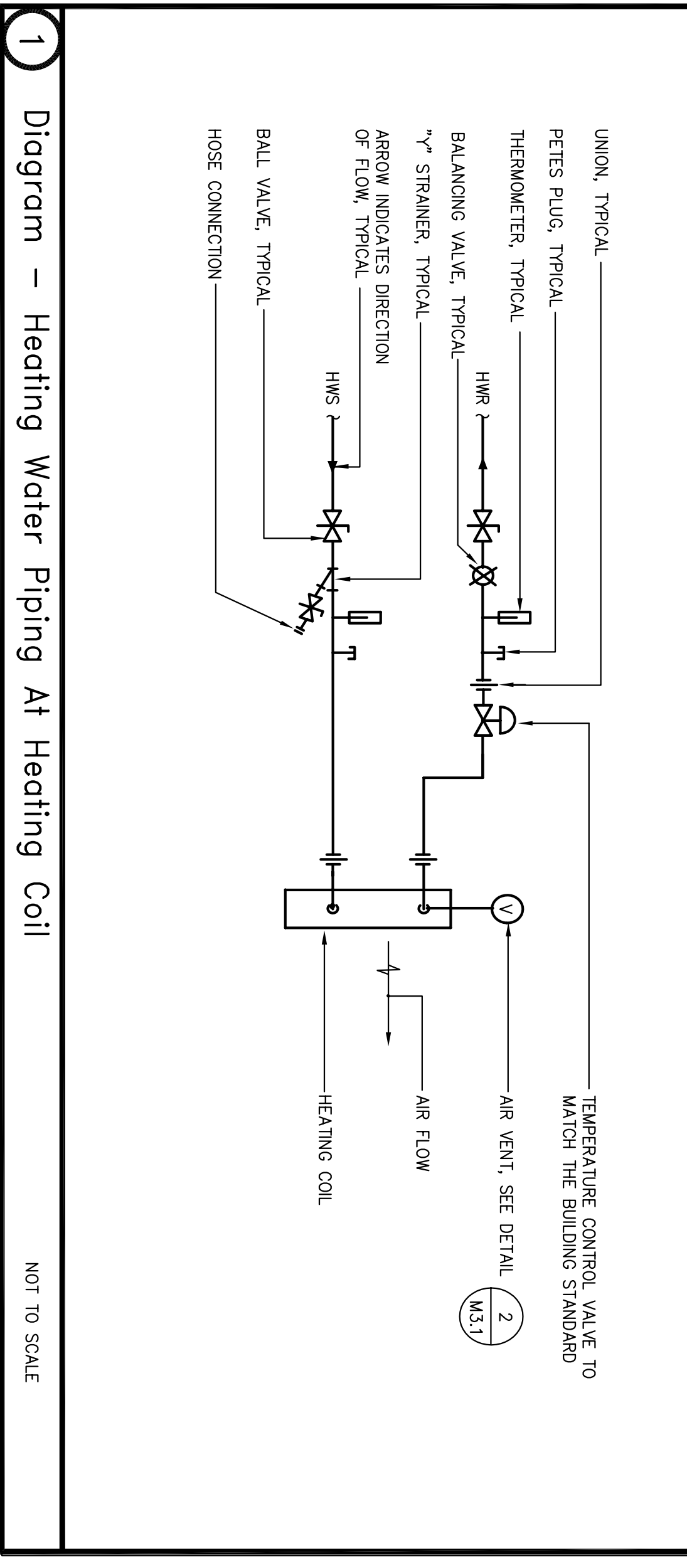
### Split Heat Pump Systems Schedule

SYSTEM NO.	UNIT NO.	MFR.	MODEL NO.	EVAPORATOR FAN			CONDENSING FAN			HEATING CAPACITY (BTUH)**	ELECTRICAL			APPROX. WEIGHT (LB)	ENERGY EFFICIENCY COP	REMARKS												
				CFM	STATIC PRESSURE (SEED)	RPM	CFM	RPM	VOLTAGE		PHASE	MCA																
1	FC-1	CARRIER	420A2C0B0	1600	-	1275	(21)/1/6	4	14.9	4.0	3900	850	1	15	12.3	1	5.70	4.68	35,800	54,700	50,400	460	3	15.0	27.5	185	11.0	3.15
2	FC-2	CARRIER	420A2C0B0	1600	-	1275	(21)/6	4	14.9	4.0	3900	850	1	15	12.3	1	5.01	4.68	35,800	54,700	50,400	460	3	15.0	27.5	185	11.0	3.15
3	FC-3	CARRIER	420K009	200	-	1500	1/16	2	13	2.0	750	900	1	14	3.5	1	0.981	0.88	6,320	8,780	7,220	230	1	11.2	75	36	11.0	3.0
4	FC-4	CARRIER	420K012	325	-	1500	1/16	2	13	2.0	750	900	1	14	3.5	1	1.20	1.05	7,670	10,500	9,320	230	1	11.2	75	36	11.0	3.0
5	FC-5	CARRIER	420A2C038	750	-	972	1/6	4	14.9	2.6	3900	850	1	15	12.3	1	3.28	2.75	21,000	31,400	27,000	460	3	17.7	120	89	11.0	3.0
6	FC-6	CARRIER	420A2C036	750	-	972	1/6	4	14.9	2.6	3900	850	1	15	12.3	1	3.28	2.75	21,000	31,400	27,000	460	3	17.7	120	89	11.0	3.0
7	FC-7	CARRIER	420K009	200	-	1500	1/16	2	13	2.0	750	900	1	14	3.5	1	0.981	0.88	6,320	8,780	7,220	230	1	11.2	75	36	11.0	3.0

\*\* OUTDOOR TEMP. 30°F., INDOOR TEMP. 70°F.  
 \*\* COND. EAT. 95°F., E.VAP. AIR EWB. 62°F., EDB. 80°F.

### Heating Coil Schedule

COIL NO.	MFR.	MODEL NO.	CFM	SIZE FINS" FL.	FINS/IN	ROWS	AIR TEMP. (°F DB)		GPM	WATER TEMP.		PRESSURE LOSS		REMARKS
							ENTERING	LEAVING		ON	OFF	AIR (°WG)	WATER (FT)	
HC-1	McQUAY	5850901H	600	9"x21"	8	1	63	90.3	1.3	180	150.1	0.13	0.4	2-WAY TV C.V.A.17
HC-2	McQUAY	5850901H	1060	12"x22"	8	1	63	91.6	2.1	180	147.2	0.12	1.4	2-WAY TV C.V.A.17
HC-3	McQUAY	5850901H	1100	12"x22"	8	1	63	91.6	2.1	180	147.2	0.12	1.4	2-WAY TV C.V.A.17
HC-4	McQUAY	5850901H	790	9"x21"	8	1	63	90.3	1.3	180	150.1	0.13	0.4	2-WAY TV C.V.A.17
HC-5	McQUAY	5850901H	1100	12"x22"	8	1	63	91.6	2.1	180	147.2	0.12	1.4	2-WAY TV C.V.A.17
HC-6	McQUAY	5850901H	1100	12"x22"	8	1	63	91.6	2.1	180	147.2	0.12	1.4	2-WAY TV C.V.A.17
HC-7	McQUAY	5850901H	1100	12"x22"	8	1	63	91.6	2.1	180	147.2	0.12	1.4	2-WAY TV C.V.A.17



REVISION	DESCRIPTION	INITIAL	DATE
AS BUILT			11/20/05

ISSUED FOR PROGRESS REVIEW	08/29/04
ISSUED FOR PLAN CHECK	03/02/04
ISSUED FOR PERMIT	
ISSUED FOR BID	
ISSUED FOR CONSTRUCTION	

### Mechanical Legend

17 1/2" ROUND DUCT, INSIDE DIAMETER INDICATED

18x12 RECTANGULAR DUCT, INSIDE WIDTH AND INSIDE DEPTH

SUPPLY DUCT, SECTION

RETURN DUCT, SECTION

EXHAUST DUCT, SECTION

PRE-/SMOKE DAMPER IN DUCT

SINGLE BLADE VOLUME DAMPER

TUNNING YANE

TAKE-OFF WITH ADJUSTABLE TUNNING YANE

ROUND CONICAL TEE WITH TAKE-OFF AT 45° TO DIRECTION OF MAIN DUCT

ACCESS PANEL IN DUCT

INTERNAL ACOUSTIC INSULATION INSIDE DUCT, SIZES SHOWN ARE NET INSIDE

CEILING DIFFUSER, CFM ON TOP, NECK SIZE AND NUMBER OF DIRECTIONS OF BLOW ON BOTTOM

CEILING RETURN REGISTER, CFM ON TOP, NECK SIZE ON BOTTOM

CEILING EXHAUST REGISTER, CFM ON TOP, SIDEWALL EXHAUST RETURN, OR RELIEF REGISTER, CFM ON TOP, NECK SIZE ON BOTTOM

SIDEWALL DIFFUSER, CFM ON TOP, NECK SIZE AND NUMBER OF DIRECTIONS OF BLOW ON BOTTOM

HERMOSTAT MOUNT ON WALL

TYP. TYPICAL

(E) EXISTING

(N) NEW

NOT TO SCALE

DOWN

UP

ABOVE THE FINISHED FLOOR

DESIGNATION OF SHEET NOTE #1

HEATING WATER SUPPLY

HEATING WATER RETURN

REFRIGERANT LIQUID LINE

REFRIGERANT SUCTION LINE

TEMPERATURE CONTROL VALVE

REGISTERED PROFESSIONAL ENGINEER  
 MICHAEL J. LETNER  
 No. 534-0  
 State of California  
 Mechanical  
 No. 22208

INTERACTIVE  
 ARCHITECTURE • PLANNING • ENGINEERING  
 117 PARK PLACE  
 POINT RICHMOND  
 CALIFORNIA 94801  
 (910) 238-7435  
 (FAX) 232-5325  
 h1p://www.interac.com

PROJECT:  
 BUILDING NO. 18  
 (NORTH HALL)  
 MODERNIZATION

SAN MATEO CO. COMMUNITY COLLEGE DISTRICT

LETNER ENGINEERING, INC.  
 1651 Second Street  
 San Rafael, CA 94901  
 (415) 556-4200  
 (415) 456-0288 fax

SHEET TITLE:  
 MECHANICAL  
 LEGEND, SCHEDULES  
 AND DETAILS

PROJ. NO.: 2002-066.01  
 PREPARED BY AND REVIEWED:  
 DRAWN BY: MN  
 CHECKED BY: AB  
 DATE: 11/20/05  
 FEET REVIEWED: MJA  
 SHEET NUMBER:  
 MOD  
 M3.1

117 PARK PLACE  
 POINT RICHMOND  
 CALIFORNIA 94801  
 (910) 238-7435  
 (FAX) 232-5325  
 h1p://www.interac.com

PROJECT:  
 BUILDING NO. 18  
 (NORTH HALL)  
 MODERNIZATION

SAN MATEO CO. COMMUNITY COLLEGE DISTRICT

LETNER ENGINEERING, INC.  
 1651 Second Street  
 San Rafael, CA 94901  
 (415) 556-4200  
 (415) 456-0288 fax

SHEET TITLE:  
 MECHANICAL  
 LEGEND, SCHEDULES  
 AND DETAILS

PROJ. NO.: 2002-066.01  
 PREPARED BY AND REVIEWED:  
 DRAWN BY: MN  
 CHECKED BY: AB  
 DATE: 11/20/05  
 FEET REVIEWED: MJA  
 SHEET NUMBER:  
 MOD  
 M3.1