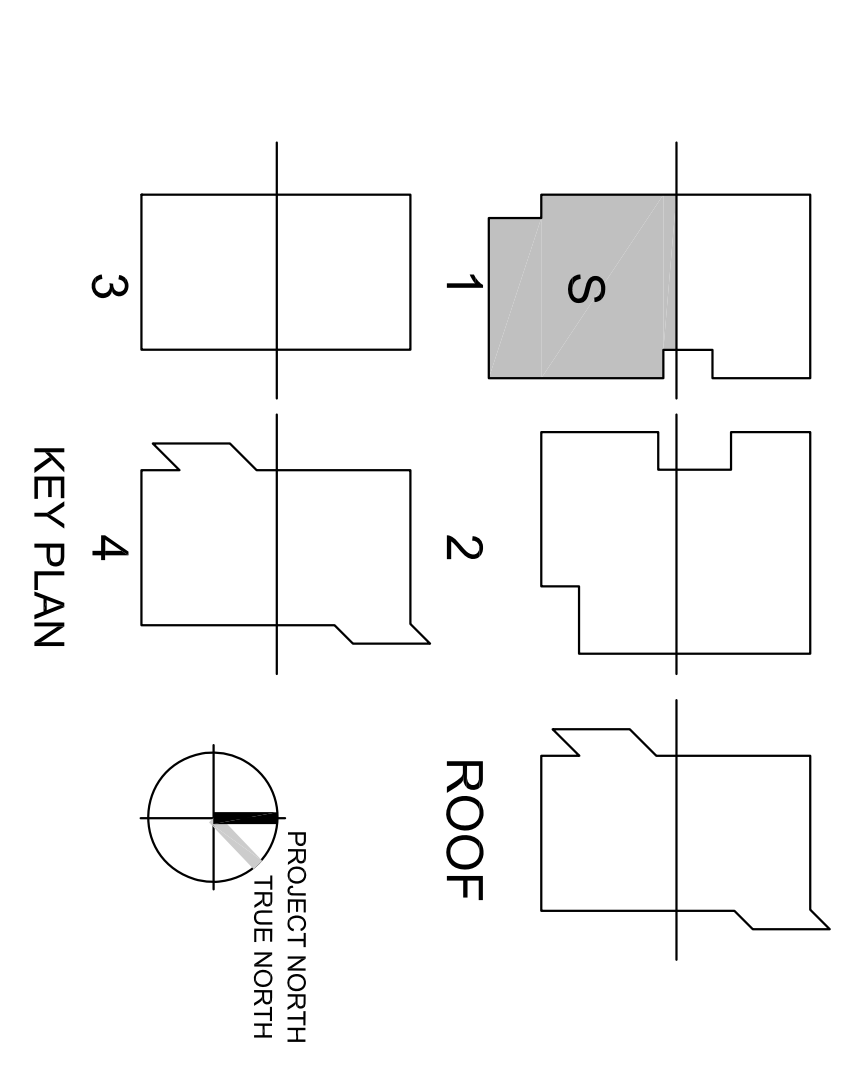


1 Underground Plumbing Plan - Level 1 South
SCALE: 1/8"=1'-0"

J.W. McCLENNAHAN CO.
 2001 PALM AVE
 SAN LUIS OBISPO, CA 94068
 TEL: (805) 345-5888
 FAX: (805) 345-5888

RECORD DOCUMENT
 DATE: October 15, 2010



Revision	Description	Date
100%	Design Development	06/30/08
90%	Construction Documents	07/25/08
50%	Submittal	08/14/08
95%	Construction Documents	12/28/08
05A	Final	03/11/09

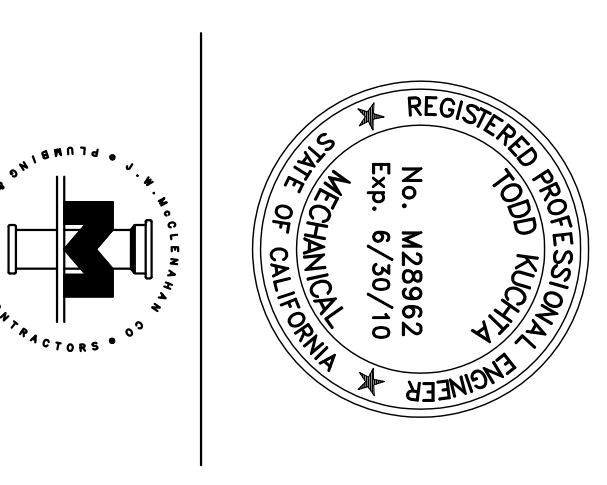
Revision	Description	Date

**College of San Mateo
Building 10N**

San Mateo, CA

Developed for
San Mateo County Community College District

J.W. McCLENNAHAN CO.
 2001 PALM AVE
 SAN LUIS OBISPO, CA 94068
 TEL: (805) 345-5888
 FAX: (805) 345-5888



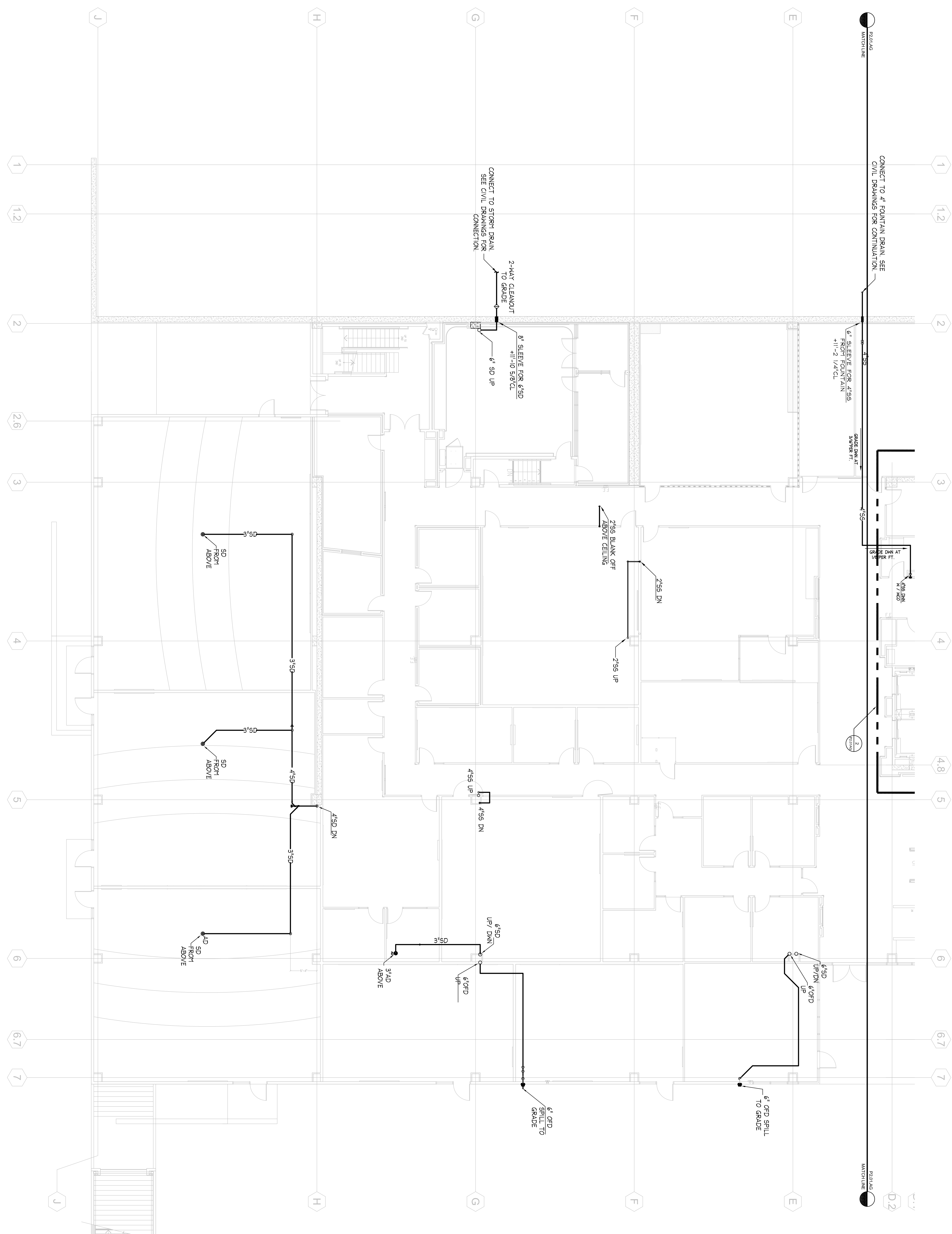
DATE	4-1-11
FILE NUMBER	41-C1
DESIGNATION	REGISTERED PROFESSIONAL ENGINEER
NO.	M28952
EXPIRES	6/30/10
STATE	CALIFORNIA
CLASSIFICATION	MECHANICAL
OFFICE	STATE OF CALIFORNIA
APPL. #	01-110095
EXPIRES	
FILE NUMBER	

McCarthy Building Companies, Inc.
 343 Serrano Ave., Suite 1410
 San Francisco, California 94104
 P 415 397-5151
 F 415 397-5999



P2.02.BG

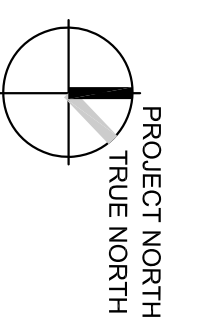
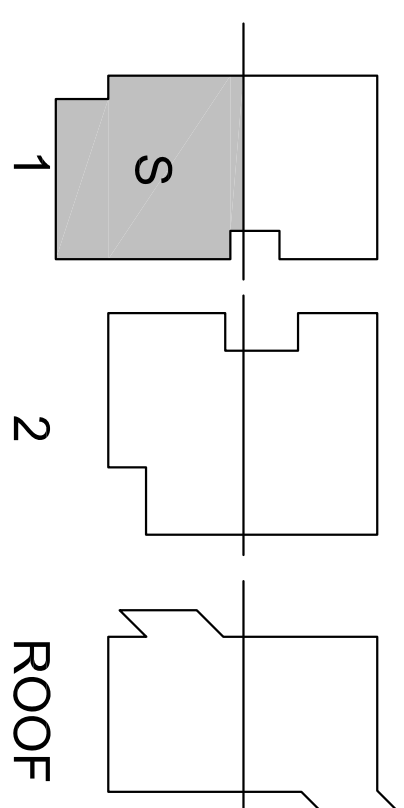
**PLUMBING PLAN
FIRST FLOOR (S)
BELOW GROUND**



1 Above Ground Plumbing Plan - Level 1 South
SCALE: 1/8"=1'-0"

J.W. McCLENAHAN CO.
 2700 RAIL AVE
 SAN MATEO, CA 94403
 TEL: (650) 345-5888
 FAX: (650) 345-5888

RECORD DOCUMENT
 DATE: October 15, 2010



Revision	Description	Date
06/30/08	100% Design Development	
07/18/08	50% Construction Documents	
08/14/08	95% Construction Documents	
12/28/08	95% Construction Documents	
03/11/09	DSA Final	

Revision	Description	Date

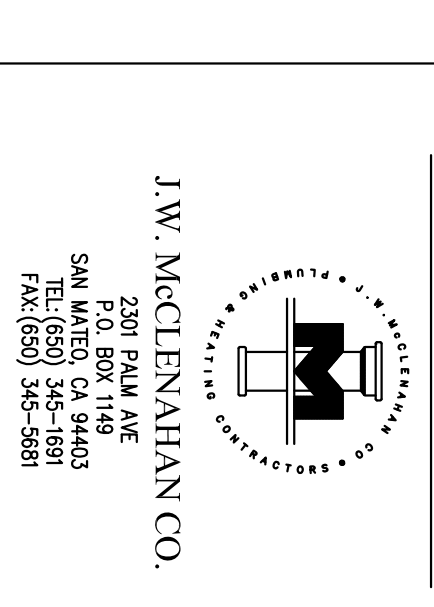
Revision	Description	Date

College of San Mateo Building 10N

San Mateo, CA

Developed for
San Mateo County Community College District

J.W. McCLENAHAN CO.
 2700 RAIL AVE
 SAN MATEO, CA 94403
 TEL: (650) 345-5888
 FAX: (650) 345-5888



DATE: _____	FILE NUMBER: 41-C1
APPL. #.: 01-110095	

McCarthy Building Companies, Inc.
 343 California Street, 14th Floor
 San Francisco, California 94104
 P 415 397-5151
 F 415 397-5999

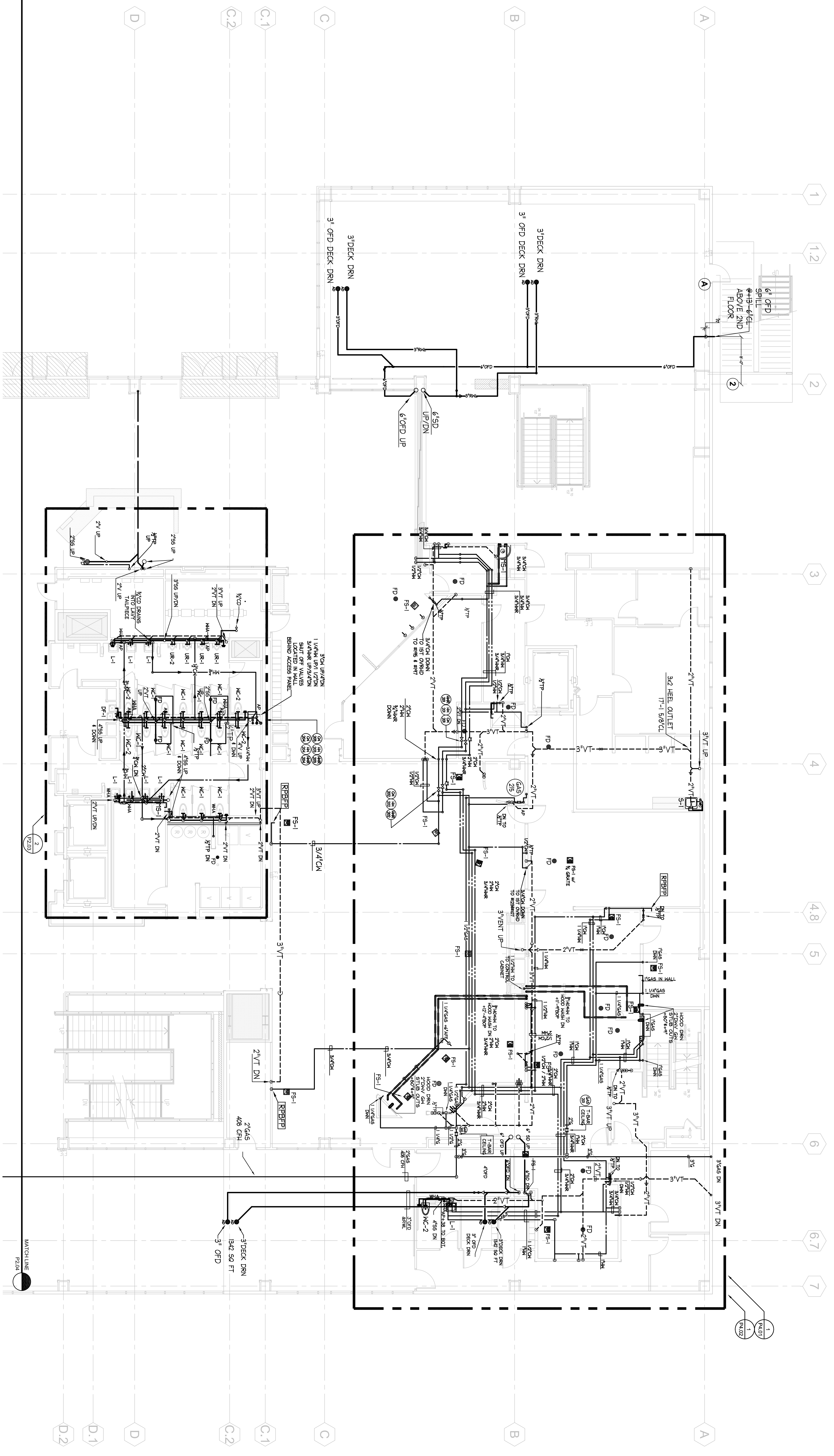


Revision	Description	Date

Revision	Description	Date

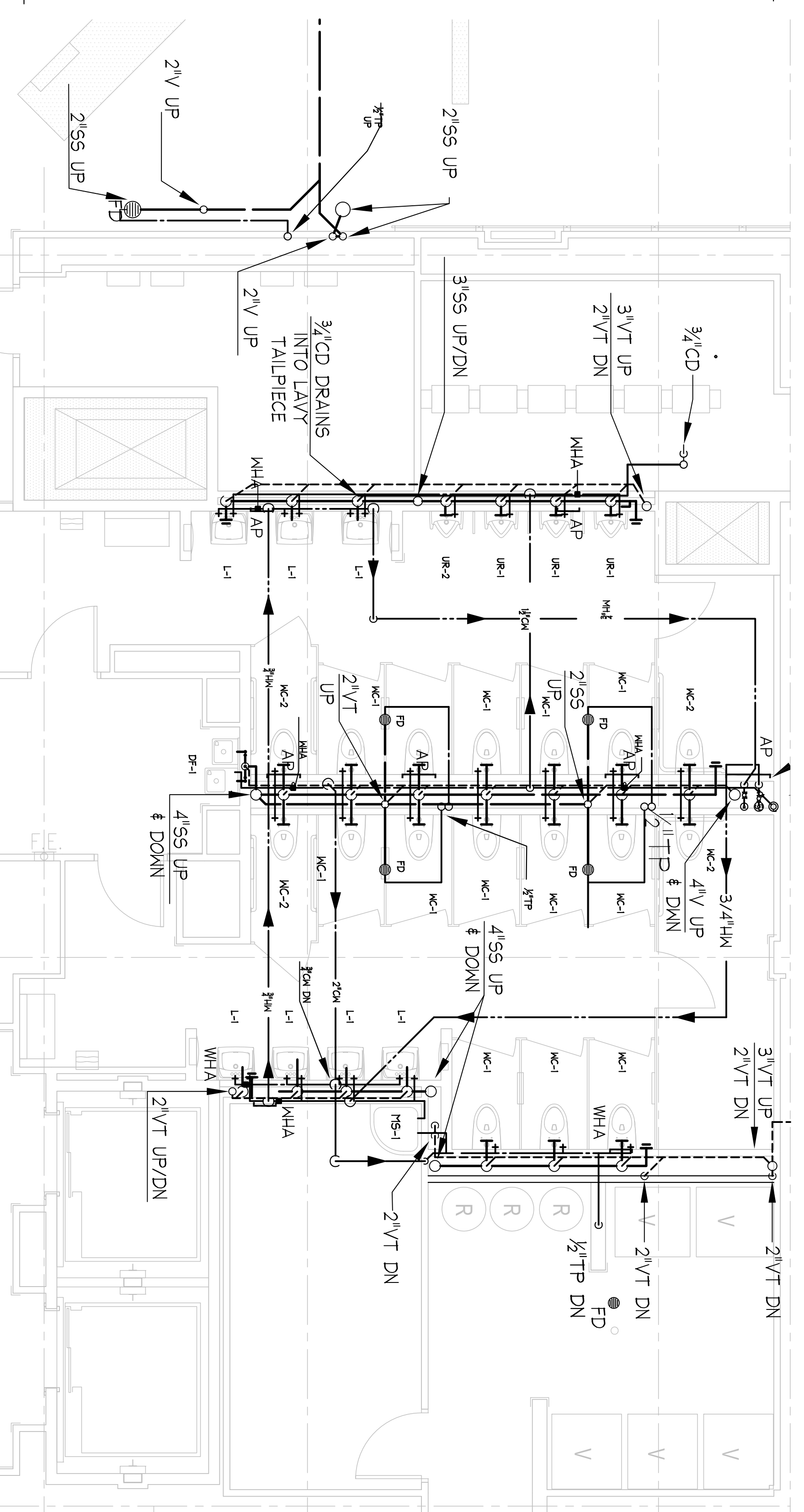
Revision	Description	Date

Job No.	27062201
Drawn	MAJOR 2008
Checked by	SCD
Scale	1/8" = 1'-0"
PLUMBING PLAN	
SECOND FLOOR (N)	

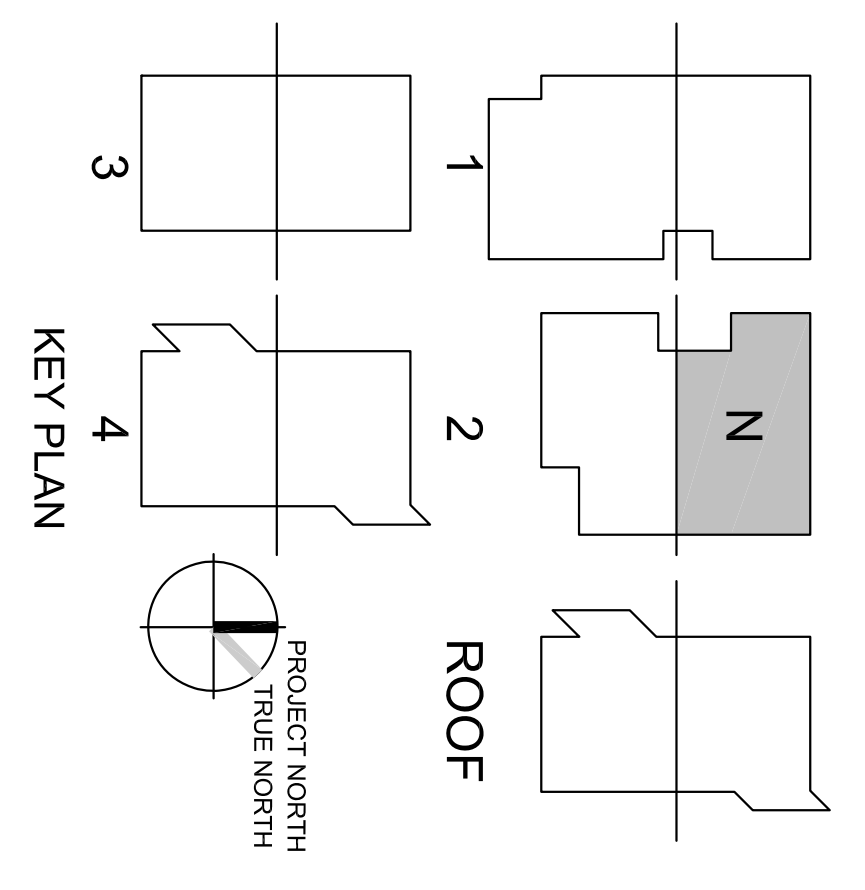


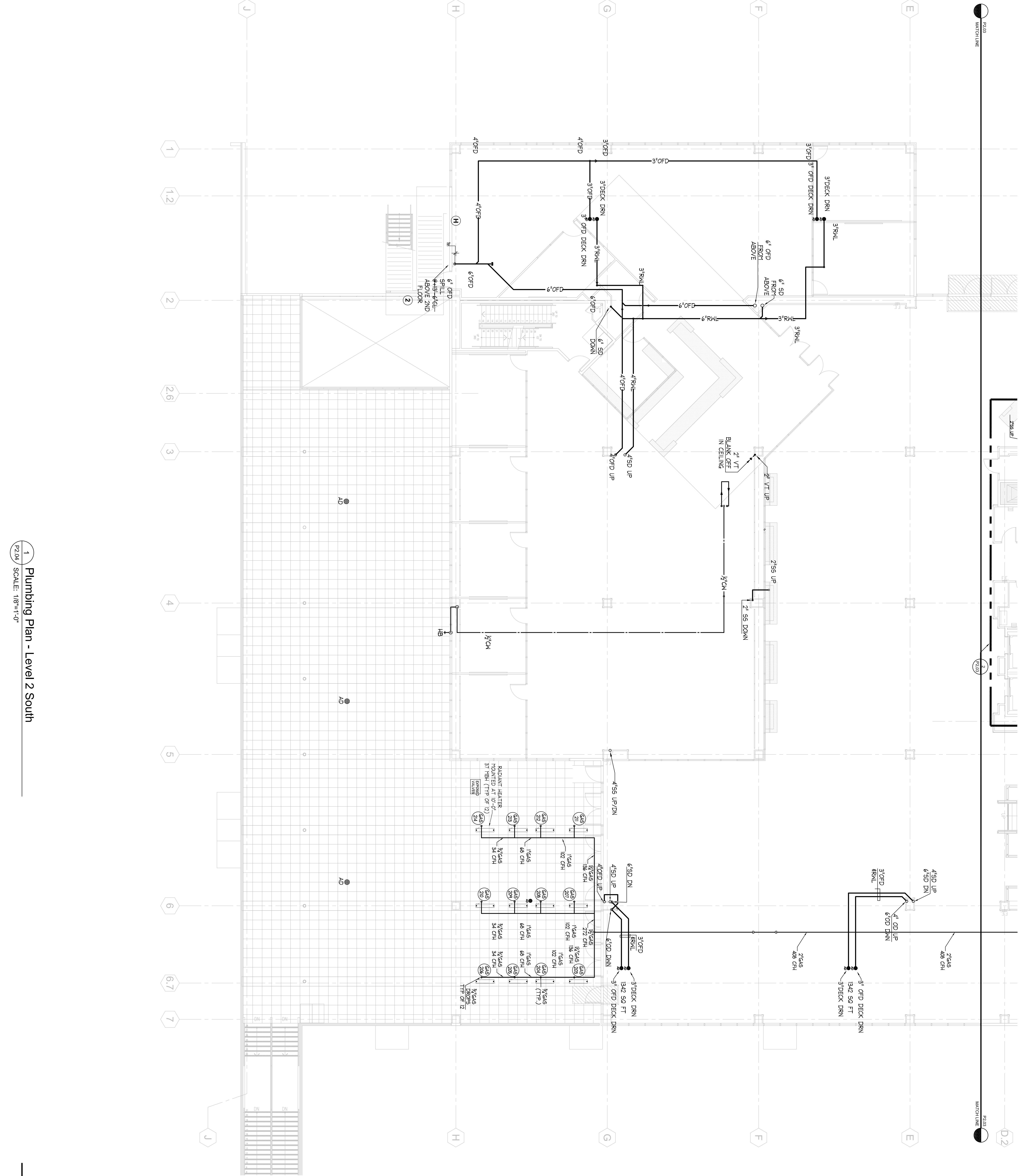
1 Plumbing Plan - Level 2 North
 P2.03 / SCALE: 1/8"=1'-0"

2 ENLARGED BATHROOM PLAN
 P2.03 / SCALE: 1/4"=1'-0"



J.W. McCLLENHAN CO.
 2001 PALM AVE
 SAN LUIS OBISPO, CA 94943
 TEL (805) 345-5888
 FAX (805) 345-5888
RECORD DOCUMENT
 DATE October 15, 2010

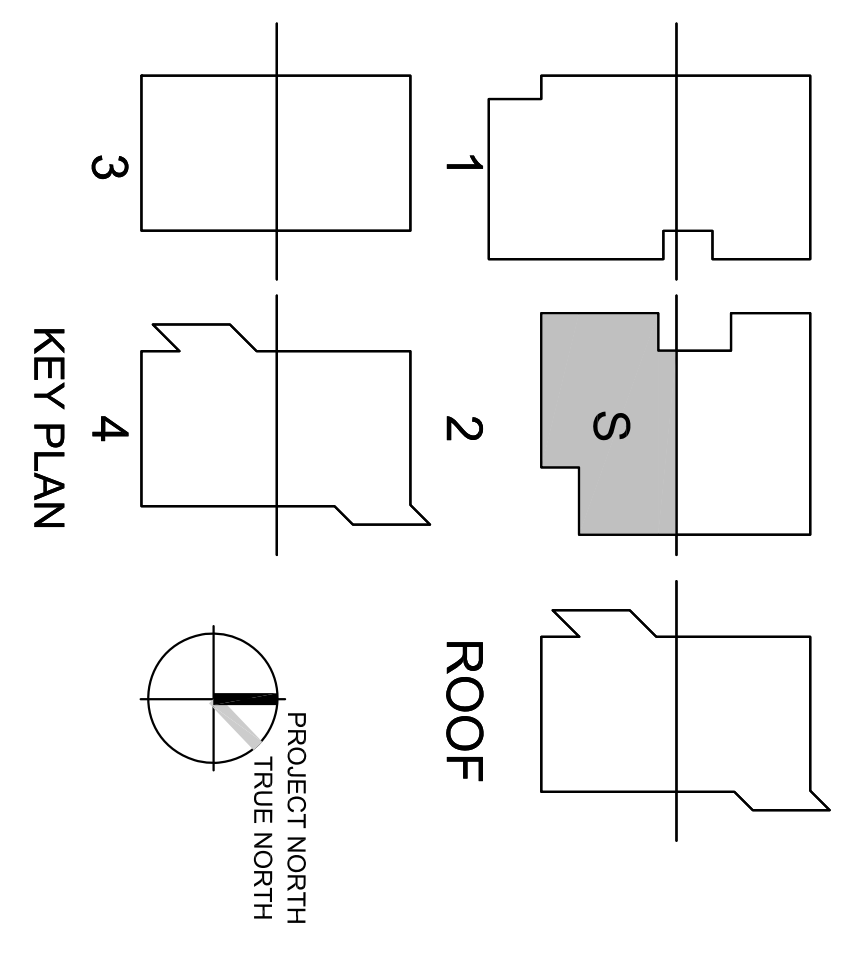




1 Plumbing Plan - Level 2 South
 P2.04 SCALE: 1/8"=1'-0"

J.W. McCLENNAHAN CO.
 2700 RAIL AVE
 SAN LUIS OBISPO, CA 94963
 TEL: (805) 345-5888
 FAX: (805) 345-5889

RECORD DOCUMENT
 DATE: October 15, 2010



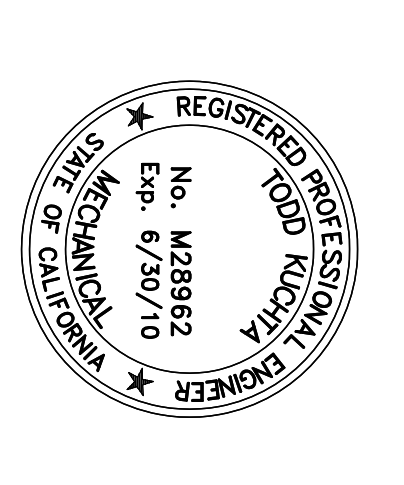
Revision Description	Date
100% Design Development	06/30/08
50% Construction Documents	07/18/08
95% Construction Documents	12/28/08
DSA Final	03/11/09

Revision Description	Date

College of San Mateo Building 10N
 San Mateo, CA
 Developed for
 San Mateo County Community College District

The State of California has created the Professional Engineer and Professional Architect titles to protect the public interest. The State Board of Professional Engineers and Architects (BPEA) is the regulatory body for these professions. The BPEA is composed of representatives from the public and the professions. The BPEA has the authority to issue licenses to individuals who meet the requirements of the State Board of Professional Engineers and Architects. The BPEA also has the authority to discipline individuals who are found to be in violation of the State Board of Professional Engineers and Architects rules and regulations. The BPEA is committed to the highest standards of integrity and ethical conduct. The BPEA is committed to the protection of the public interest. The BPEA is committed to the advancement of the professions. The BPEA is committed to the highest standards of excellence. The BPEA is committed to the highest standards of integrity and ethical conduct. The BPEA is committed to the protection of the public interest. The BPEA is committed to the advancement of the professions. The BPEA is committed to the highest standards of excellence.

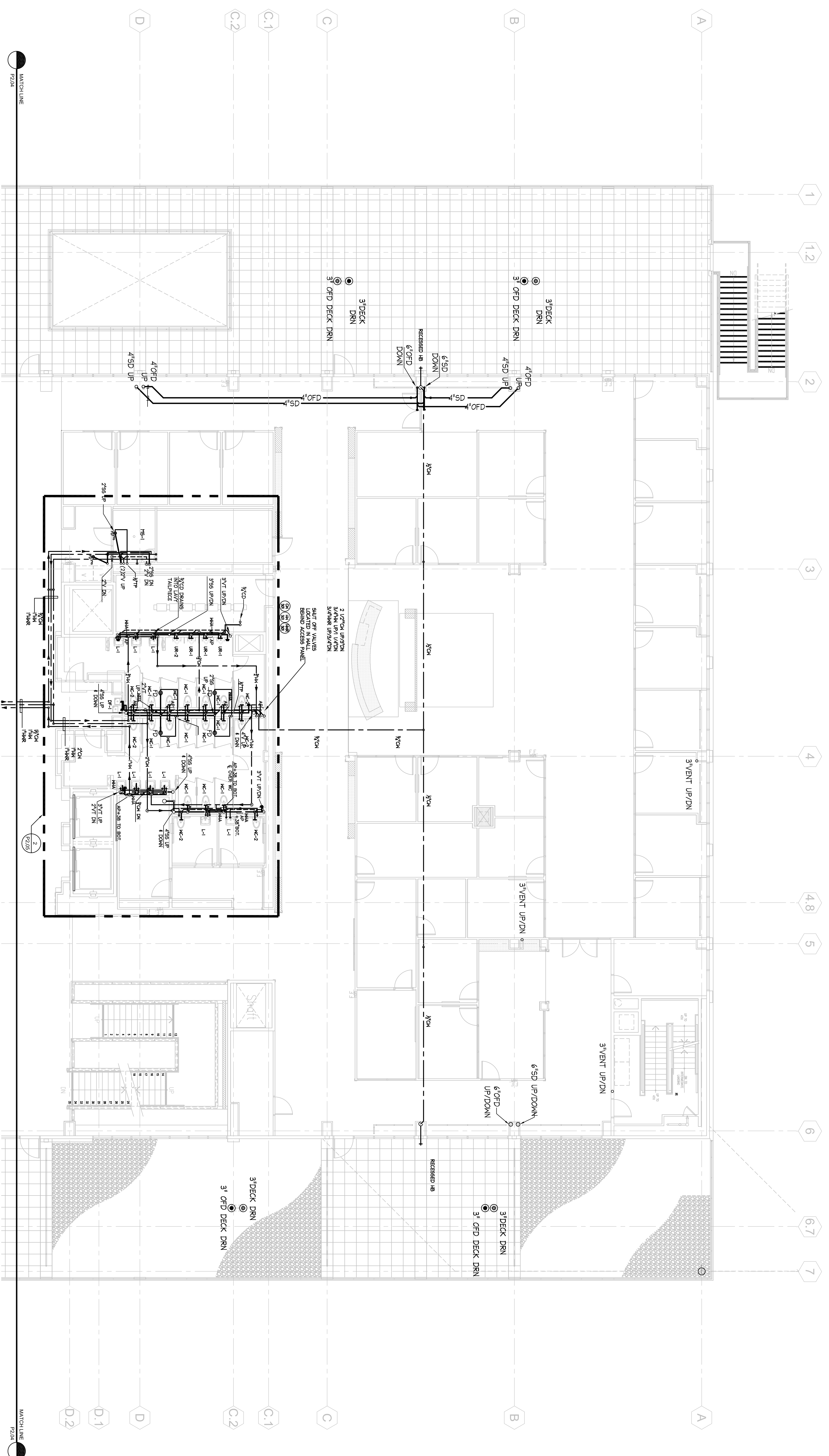
J.W. McCLENNAHAN CO.
 2700 RAIL AVE
 SAN LUIS OBISPO, CA 94963
 TEL: (805) 345-5888
 FAX: (805) 345-5889



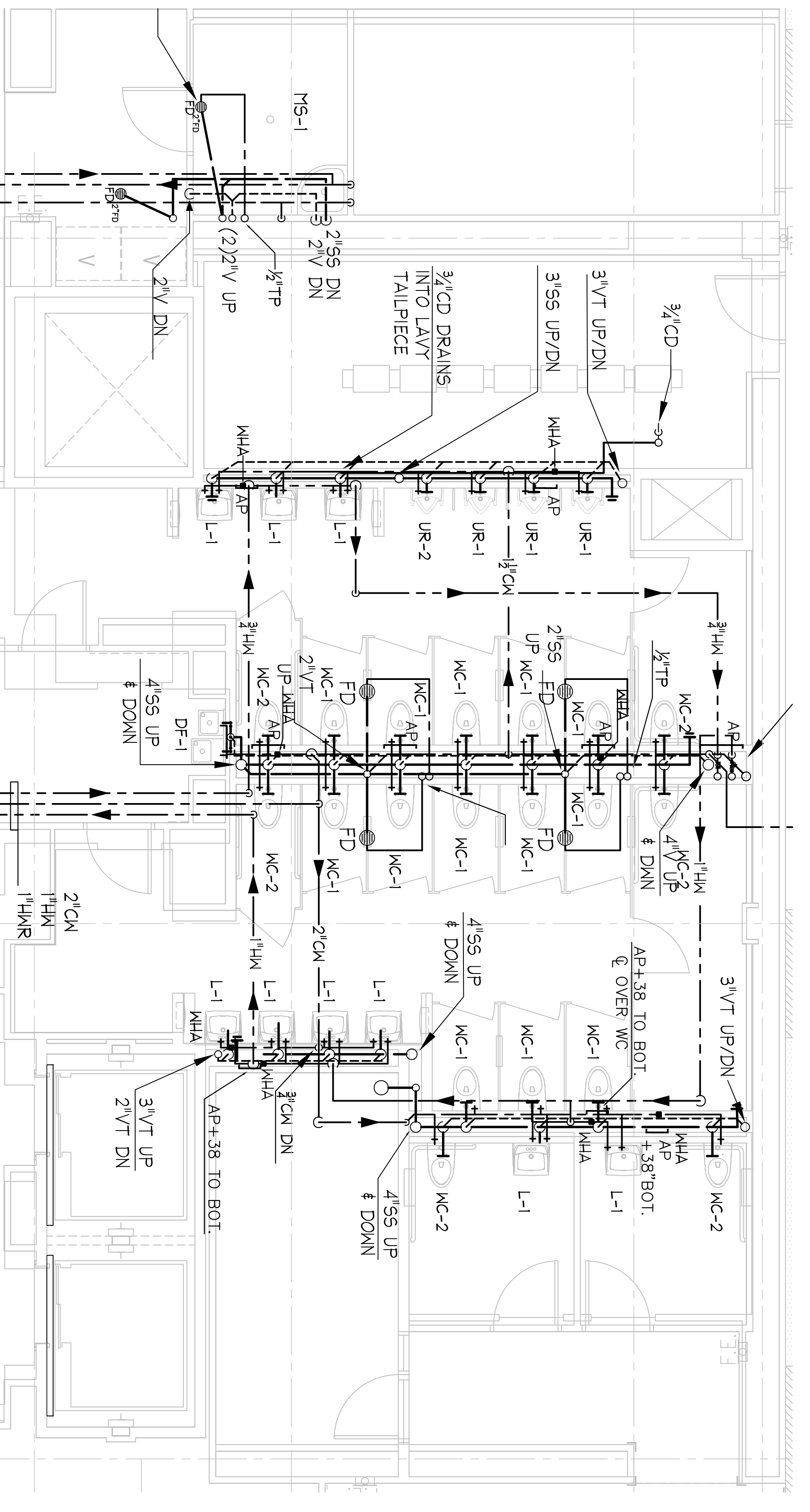
DATE	FILE NUMBER

McCarthy Building Companies, Inc.
 343 Serrano Street, 14th Floor
 San Francisco, California 94104
 P 415.397.5151
 F 415.397.5999





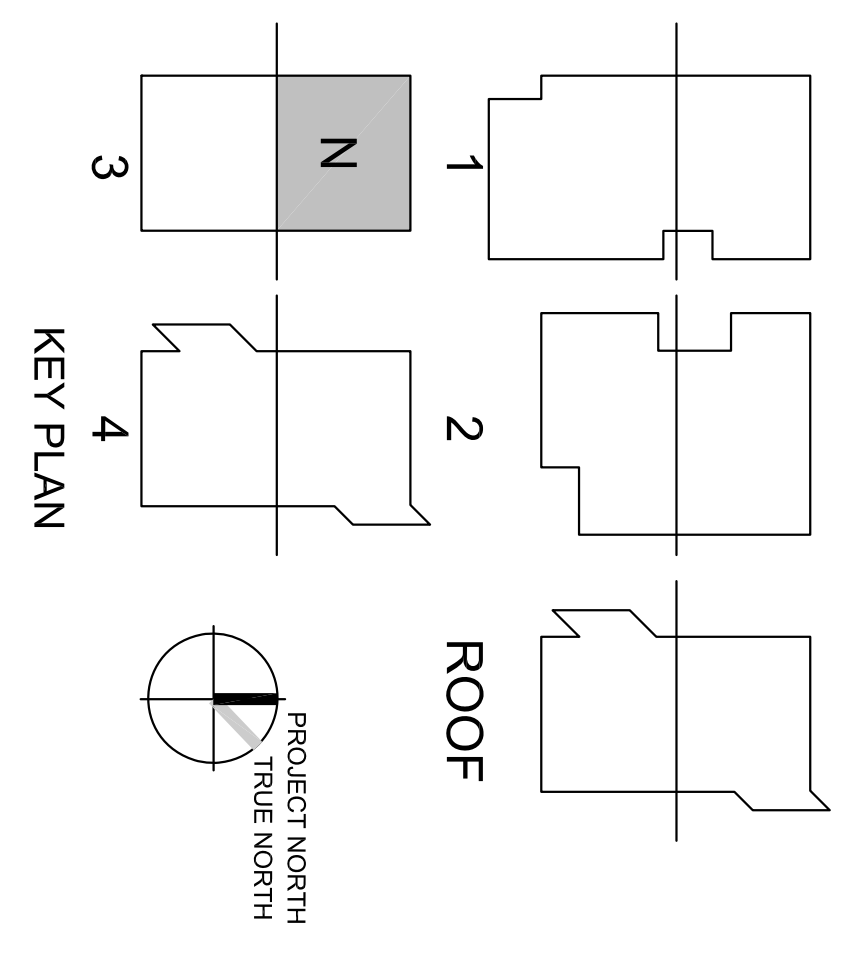
1 Plumbing Plan - Level 3 North
P2.05 SCALE: 1/8"=1'-0"



2 ENLARGED BATHROOM PLAN
P2.05 SCALE: 1/4"=1'-0"

J.W. McCLENNAHAN CO.
 2000 PAVAN DRIVE, SUITE 200
 SAN MATEO, CA 94403
 TEL: (650) 345-5888
 FAX: (650) 345-5889
 850 MARKET AVE
 SUITE 200
 SAN FRANCISCO, CA 94102
 TEL: (415) 397-5151
 FAX: (415) 397-5999

RECORD DOCUMENT
 DATE: October 15, 2010



Revision	Description	Date
100%	Design Development	06/03/08
90%	Construction Documents	07/01/09
95%	Construction Documents	03/18/09
95%	Construction Documents	12/08/08
05A	Final	03/11/09

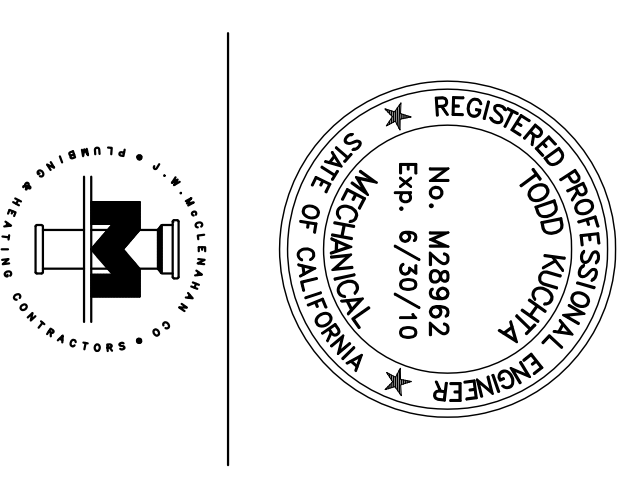
Revision	Description	Date

College of San Mateo
Building 10N

San Mateo, CA

Developed for
 San Mateo County Community College District

J.W. McCLENNAHAN CO.
 2000 PAVAN AVE
 SAN MATEO, CA 94403
 TEL: (650) 345-5888
 FAX: (650) 345-5889



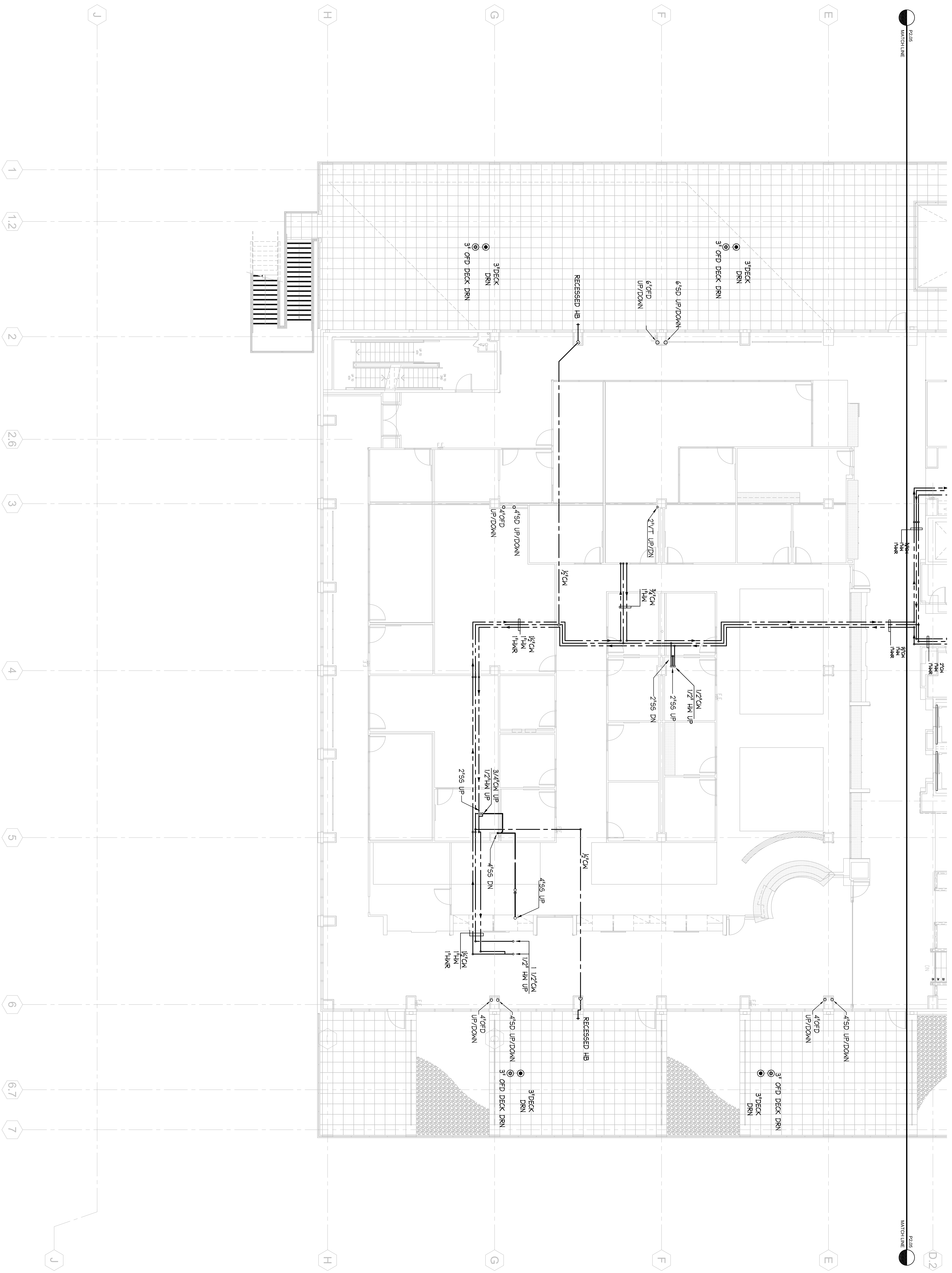
REGISTRATION STATE
 DIVISION OF THE STATE ASSISTANT
 ENGINEER OF MECHANICAL
 OFFICE OF REGISTRATION SERVICES

APPL. #: 01-110095

FILE NUMBER: 41-C1

McCarthy Building Companies, Inc.
 343 Serrano Street, 14th Floor
 San Francisco, California 94104
 P 415 397-5151
 F 415 397-5999





J.W. McCLENNAHAN CO.
 REGISTERED PROFESSIONAL ENGINEER
 MECHANICAL AND PLUMBING
 STATE OF CALIFORNIA
 No. M28962
 Exp. 6/30/10
 APRIL #. 01-110095
 FILE NUMBER: 41-C1

RECORD DOCUMENT
 DATE: October 15, 2010

Revision Description	Date
100% Design Development	06/01/08
50% Construction Documents	07/01/08
95% Construction Documents	08/18/08
95% Construction Documents	12/08/08
DSA Final	03/11/09

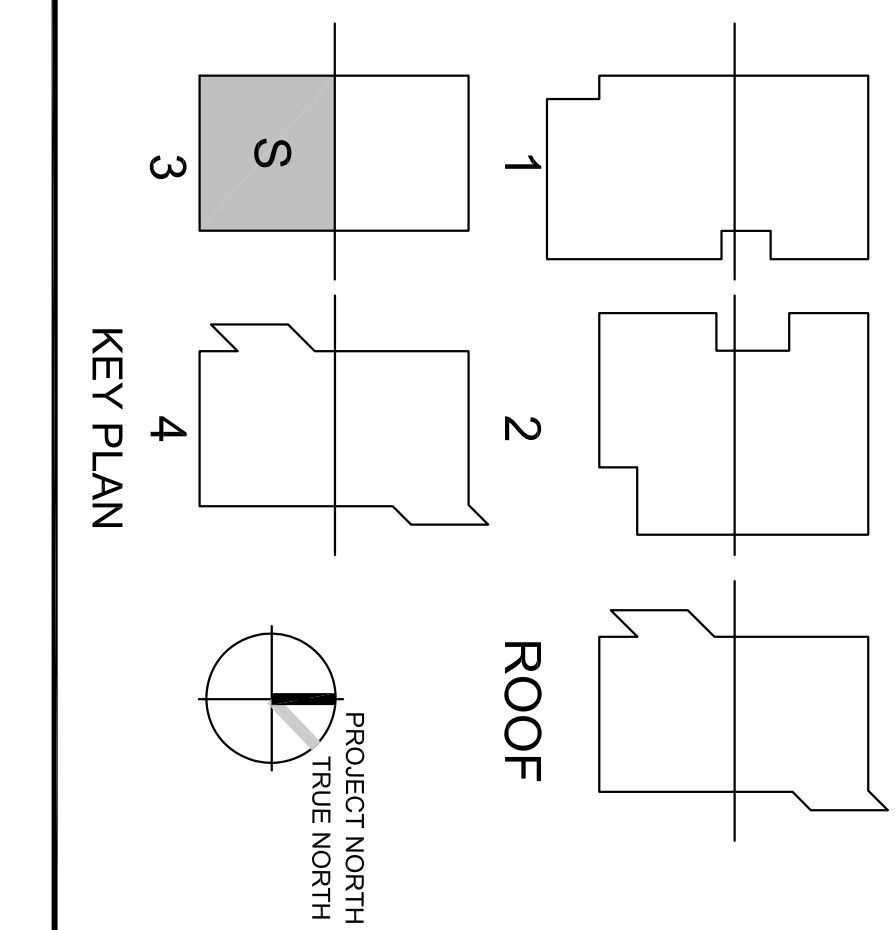
College of San Mateo Building 10N
 San Mateo, CA
 Developed for
 San Mateo County Community College District

J.W. McCLENNAHAN CO.
 2001 RIAL AVE
 SAN MATEO, CA 94403
 TEL: (650) 345-5888
 FAX: (650) 345-5889

McCarthy Building Companies, Inc.
 343 Serrano Street, 14th Floor
 San Francisco, California 94104
 P 415 397-5151
 F 415 397-5999



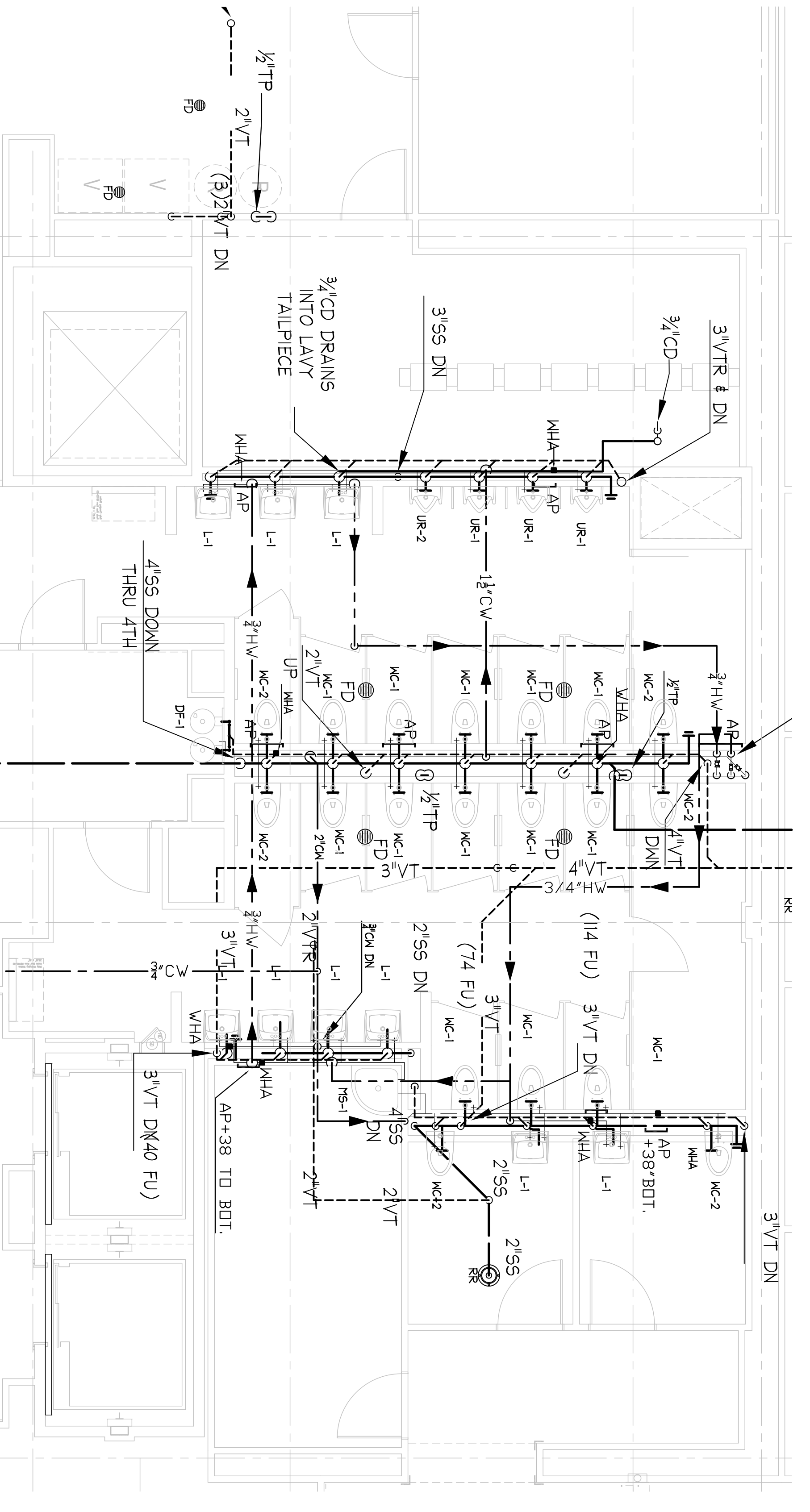
1 Plumbing Plan - Level 3 South
 P2.06 SCALE: 1/8"=1'-0"



PLUMBING PLAN THIRD FLOOR (S)
 P2.06



1 Plumbing Plan - Level 4 North
P2.07 SCALE: 1/8"=1'-0"

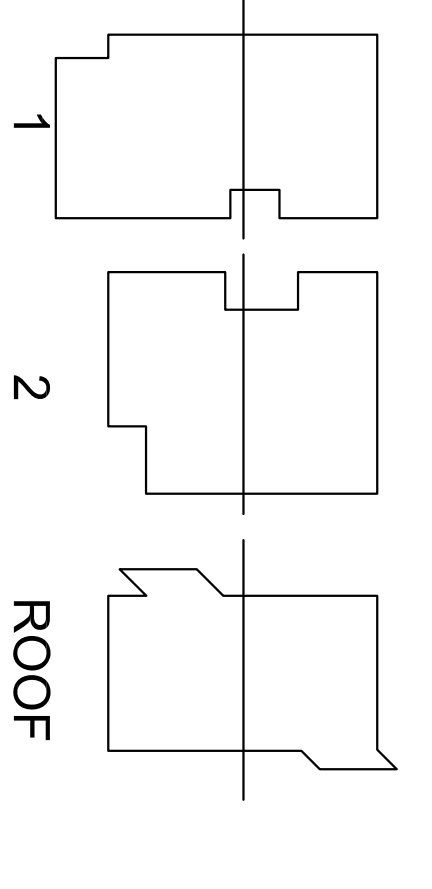


2 ENLARGED BATHROOM PLAN
P2.07 SCALE: 1/4"=1'-0"

J.W. McCLENNAHAN CO.
 2001 PALM AVE
 SAN LUIS OBISPO, CA 94963
 TEL: (805) 345-5888
 FAX: (805) 345-5889

6050 VINTAGE CENTER DR
 SHERMAN, WA 98648
 TEL: (509) 351-2000
 FAX: (509) 351-2005

RECORD DOCUMENT
 DATE: October 15, 2010



ROOF
PROJECT NORTH
TRUE NORTH

Revision	Description	Date
100%	Design Development	06/05/08
95%	Construction Documents	07/18/08
90%	Construction Documents	08/14/08
85%	Construction Documents	12/08/08
80%	Construction Documents	03/11/09

Revision	Description	Date

College of San Mateo
Building 10N

San Mateo, CA

Developed for
 San Mateo County Community College District

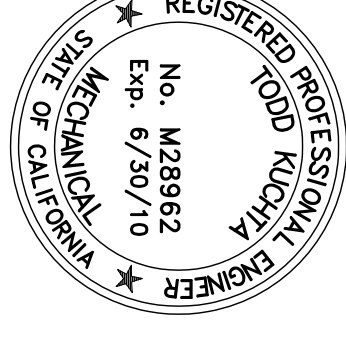
J.W. McCLENNAHAN CO.
 2001 PALM AVE
 SAN LUIS OBISPO, CA 94963
 TEL: (805) 345-5888
 FAX: (805) 345-5889



SECTION OF THE STATE ASSOCIATION OF REGISTERED PROFESSIONAL ENGINEERS
 STATE OF CALIFORNIA
 MECHANICAL ENGINEERING
 No. M28962
 Exp. 6/30/10
 APRIL # 01-10095
 FILE NUMBER: 41-C1

McCarthy Building Companies, Inc.
 343 Serrano Street, 14th Floor
 San Francisco, California 94104
 P 415 397-5151
 F 415 397-5999





J.W. McCLELLANHAN CO.
2001 PALM AVE
SAN LUIS OBISPO, CA 94943
TEL (805) 345-5888
FAX (805) 345-5888

The State of California hereby certifies that the undersigned is a duly Licensed Professional Engineer in the State of California, and is qualified to practice in the State of California. This license is valid for the term indicated on the license. The licensee shall maintain the license in good standing by complying with the requirements of the State Board of Professional Engineers and Surveyors. The licensee shall not practice in the State of California unless the license is in good standing. The licensee shall not practice in the State of California unless the license is in good standing. The licensee shall not practice in the State of California unless the license is in good standing.

College of San Mateo
Building 10N

San Mateo, CA

Developed for
San Mateo County Community College District

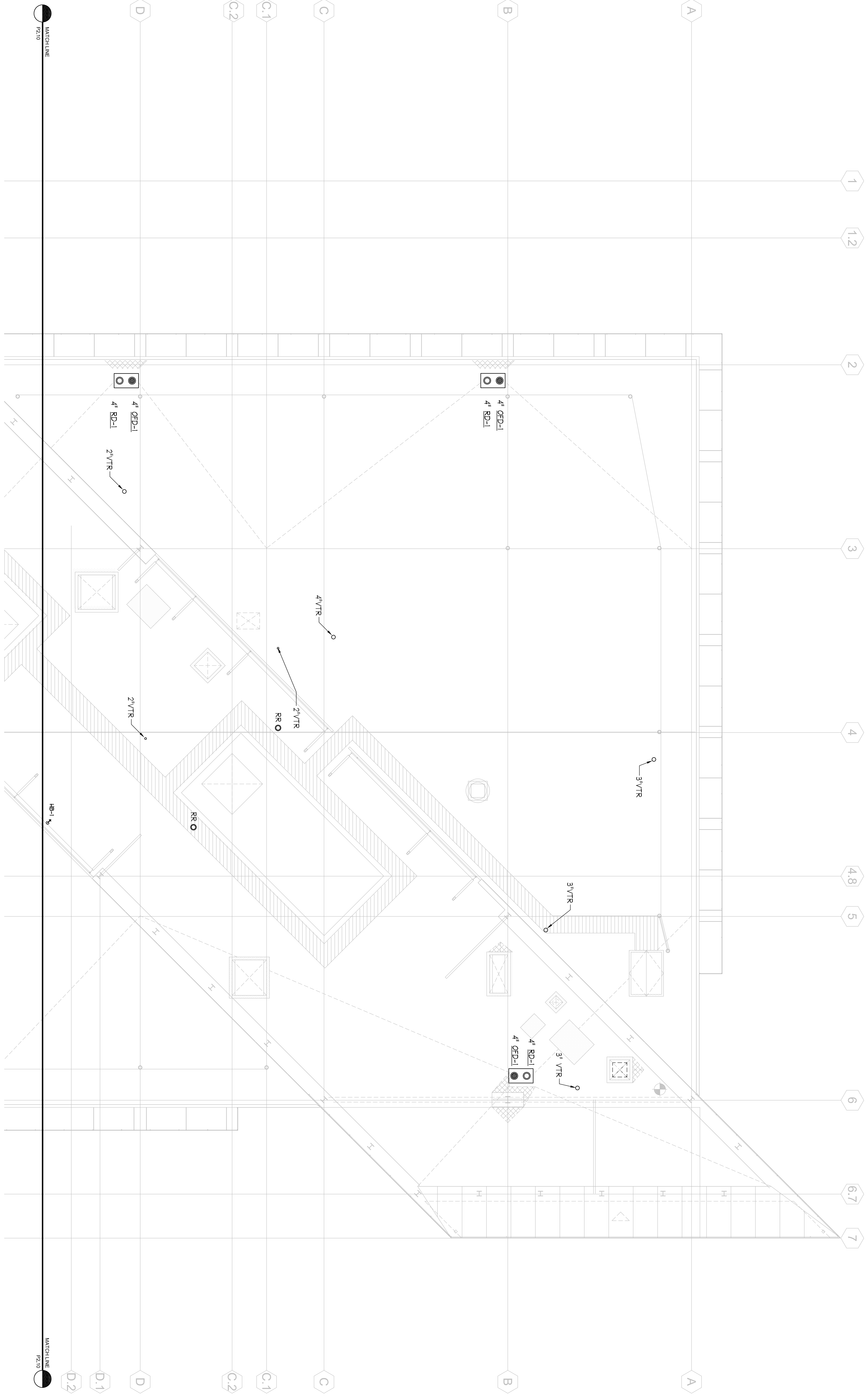
Revision	Description	Date

Revision	Description	Date

2008/2/21

PLUMBING PLAN
ROOF (N)

P2.09



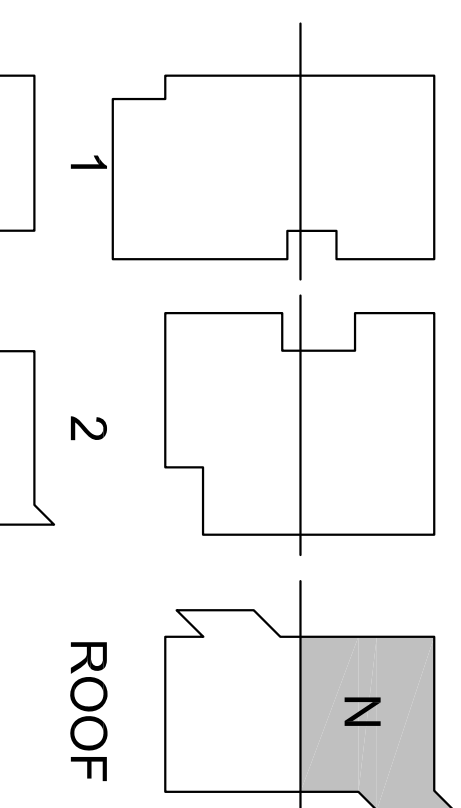
1 Plumbing Plan - Roof Level North
SCALE: 1/8"=1'-0"

J.W. McCLELLANHAN CO.
2001 PALM AVE
SAN LUIS OBISPO, CA 94943
TEL (805) 345-5888
FAX (805) 345-5888

890 AMBETTA WAY
SAN FRANCISCO, CA 94108
TEL (415) 397-5151
FAX (415) 397-5999

DATE October 15, 2010

RECORD DOCUMENT

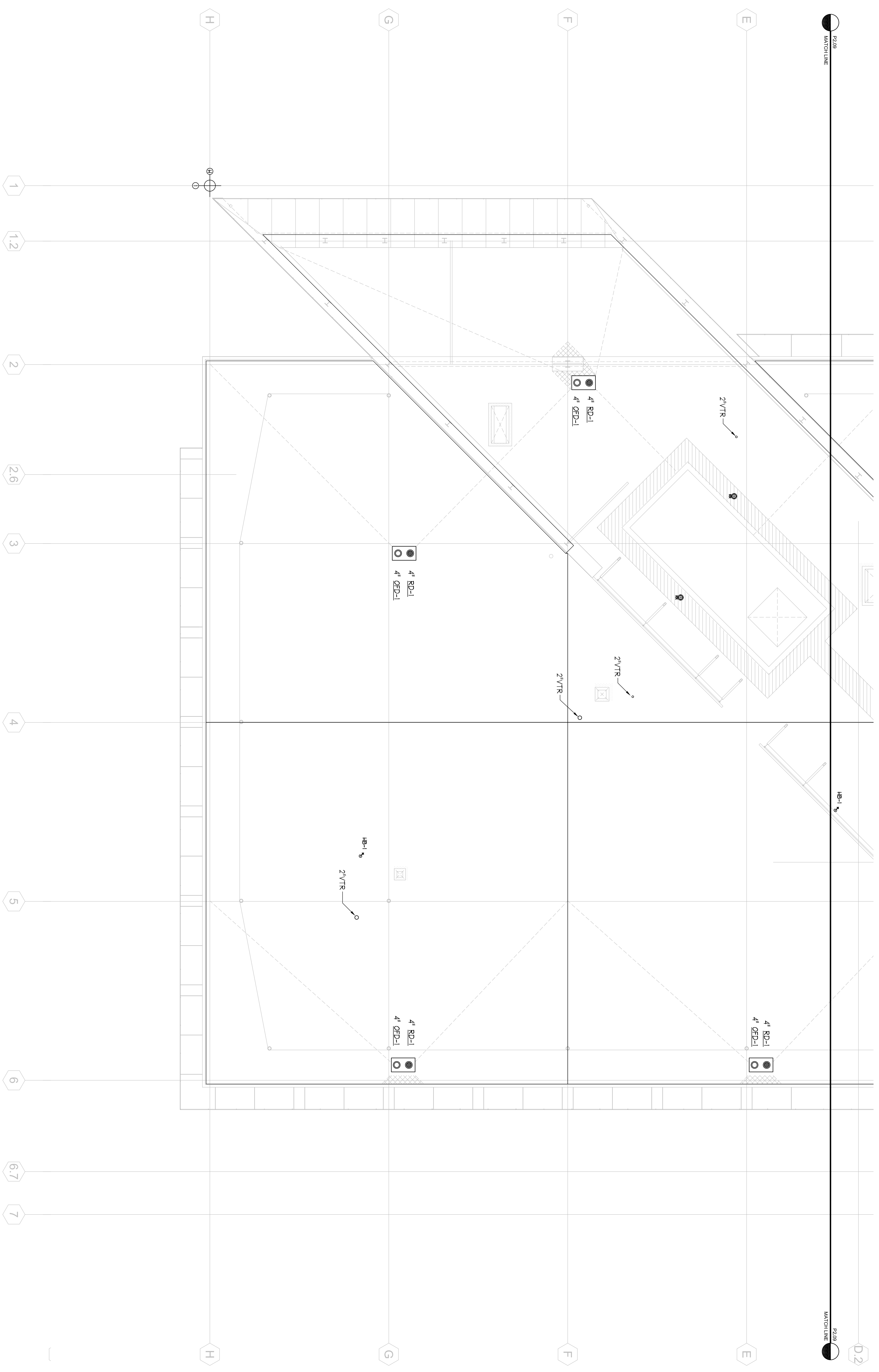


KEY PLAN

2008/2/21

PLUMBING PLAN
ROOF (N)

P2.09

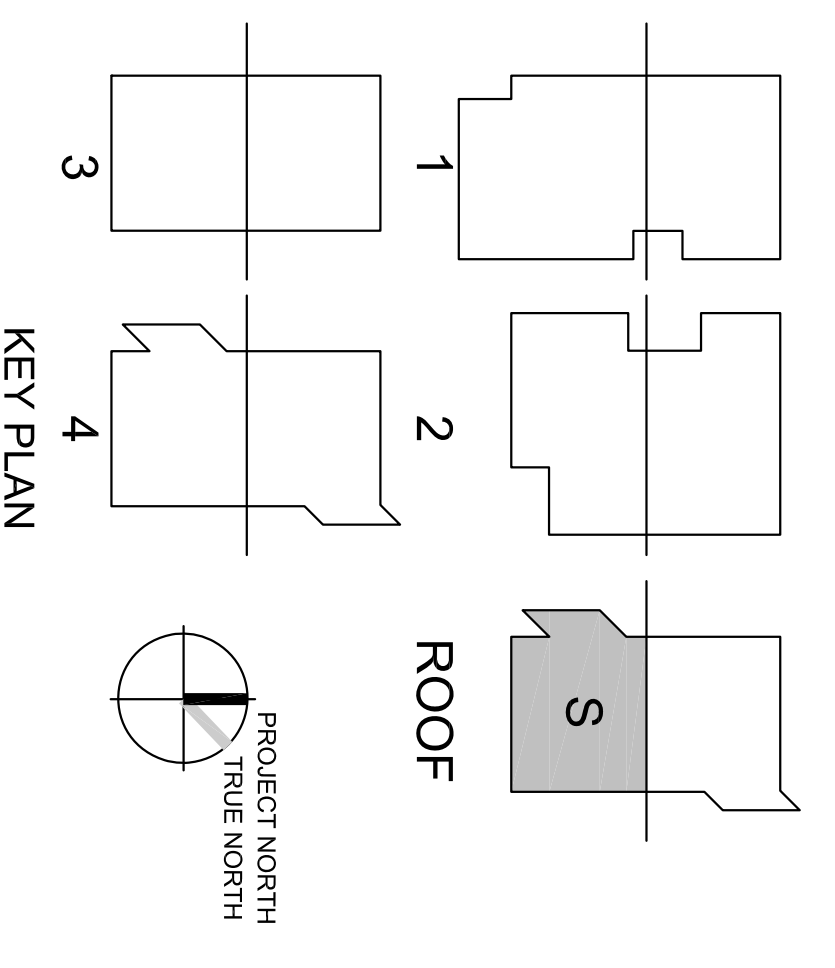


1 Plumbing Plan - Roof Level South
 P2.10 SCALE: 1/8"=1'-0"

J.W. McCLENNAHAN CO.
 2001 RAIL AVE
 SAN LUIS OBISPO, CA 94963
 TEL: (805) 345-5888
 FAX: (805) 345-5889

J.W. McCLENNAHAN CO.
 2001 RAIL AVE
 SAN LUIS OBISPO, CA 94963
 TEL: (805) 345-5888
 FAX: (805) 345-5889

RECORD DOCUMENT
 DATE: October 15, 2010



Revision	Description	Date
100%	Design Development	06/05/08
50%	Construction Documents	07/05/08
0%	Submittal	08/18/08
95%	Construction Documents	12/08/08
0%	Final	03/11/09

College of San Mateo Building 10N

San Mateo, CA

Developed for
 San Mateo County Community College District

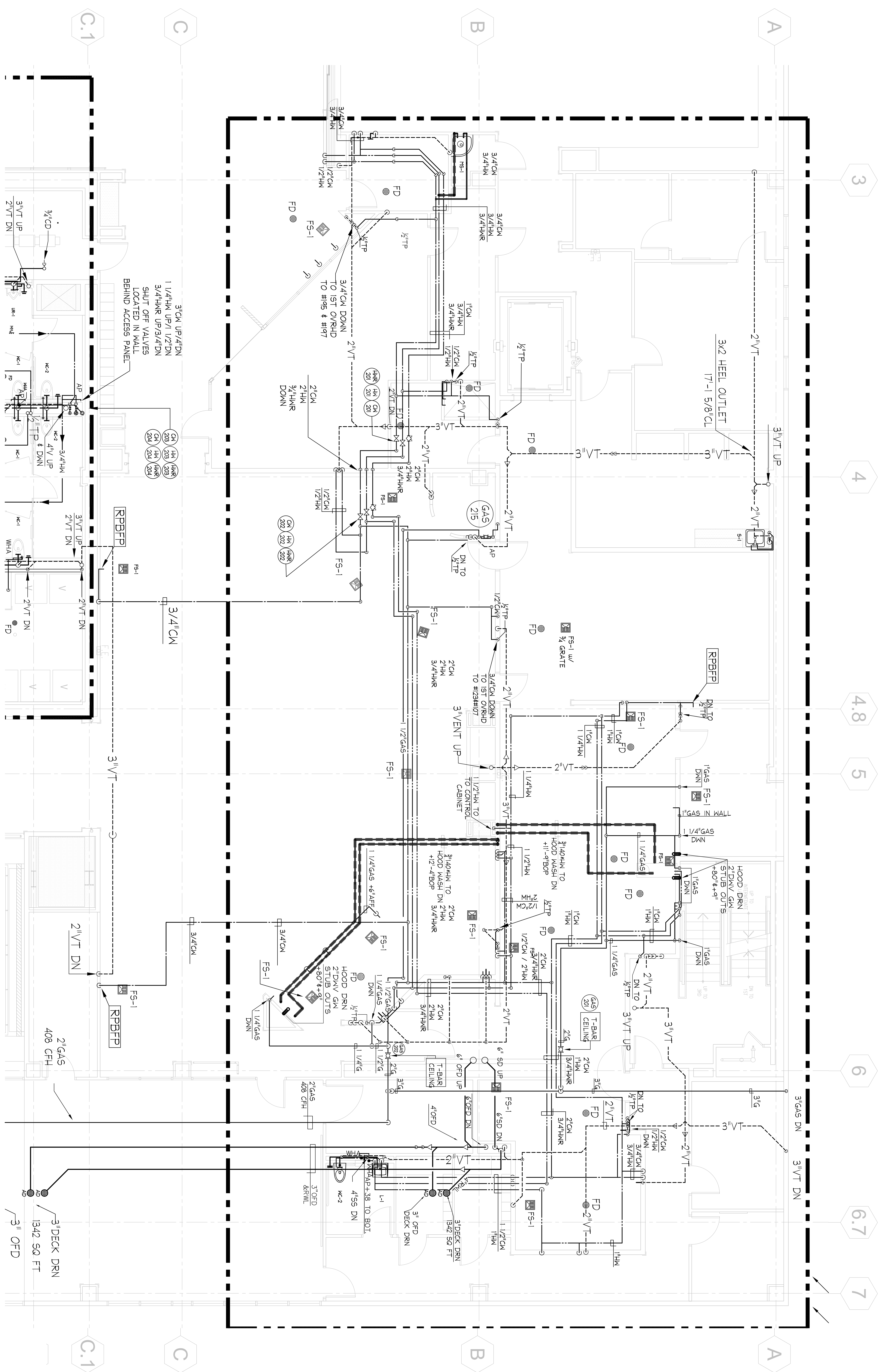
The State of California Public Works Contractors Association (PWC) is a non-profit organization that represents the interests of public works contractors in California. The PWC is committed to the highest standards of ethics and integrity in the construction industry. The PWC is also committed to the highest standards of safety and health for all workers in the construction industry. The PWC is also committed to the highest standards of environmental protection and sustainability in the construction industry. The PWC is also committed to the highest standards of quality and craftsmanship in the construction industry. The PWC is also committed to the highest standards of customer service and satisfaction in the construction industry. The PWC is also committed to the highest standards of innovation and leadership in the construction industry. The PWC is also committed to the highest standards of professionalism and excellence in the construction industry. The PWC is also committed to the highest standards of integrity and honesty in the construction industry. The PWC is also committed to the highest standards of respect and dignity for all workers in the construction industry. The PWC is also committed to the highest standards of fairness and justice in the construction industry. The PWC is also committed to the highest standards of transparency and accountability in the construction industry. The PWC is also committed to the highest standards of openness and communication in the construction industry. The PWC is also committed to the highest standards of collaboration and teamwork in the construction industry. The PWC is also committed to the highest standards of leadership and vision in the construction industry. The PWC is also committed to the highest standards of innovation and creativity in the construction industry. The PWC is also committed to the highest standards of excellence and quality in the construction industry. The PWC is also committed to the highest standards of integrity and honesty in the construction industry. The PWC is also committed to the highest standards of respect and dignity for all workers in the construction industry. The PWC is also committed to the highest standards of fairness and justice in the construction industry. The PWC is also committed to the highest standards of transparency and accountability in the construction industry. The PWC is also committed to the highest standards of openness and communication in the construction industry. The PWC is also committed to the highest standards of collaboration and teamwork in the construction industry. The PWC is also committed to the highest standards of leadership and vision in the construction industry. The PWC is also committed to the highest standards of innovation and creativity in the construction industry. The PWC is also committed to the highest standards of excellence and quality in the construction industry.

J.W. McCLENNAHAN CO.
 2001 RAIL AVE
 SAN LUIS OBISPO, CA 94963
 TEL: (805) 345-5888
 FAX: (805) 345-5889

REGISTRATION STATE: CALIFORNIA
 DIVISION OF THE STATE ASSISTED CONTRACTORS ASSOCIATION
 OFFICE OF REGISTRATION SERVICES
 APRIL #: 01-110095
 FILE NUMBER: 41-C1

McCarthy Building Companies, Inc.
 343 San Francisco Street, 14th Floor
 San Francisco, California 94104
 P 415 397-5151
 F 415 397-5999





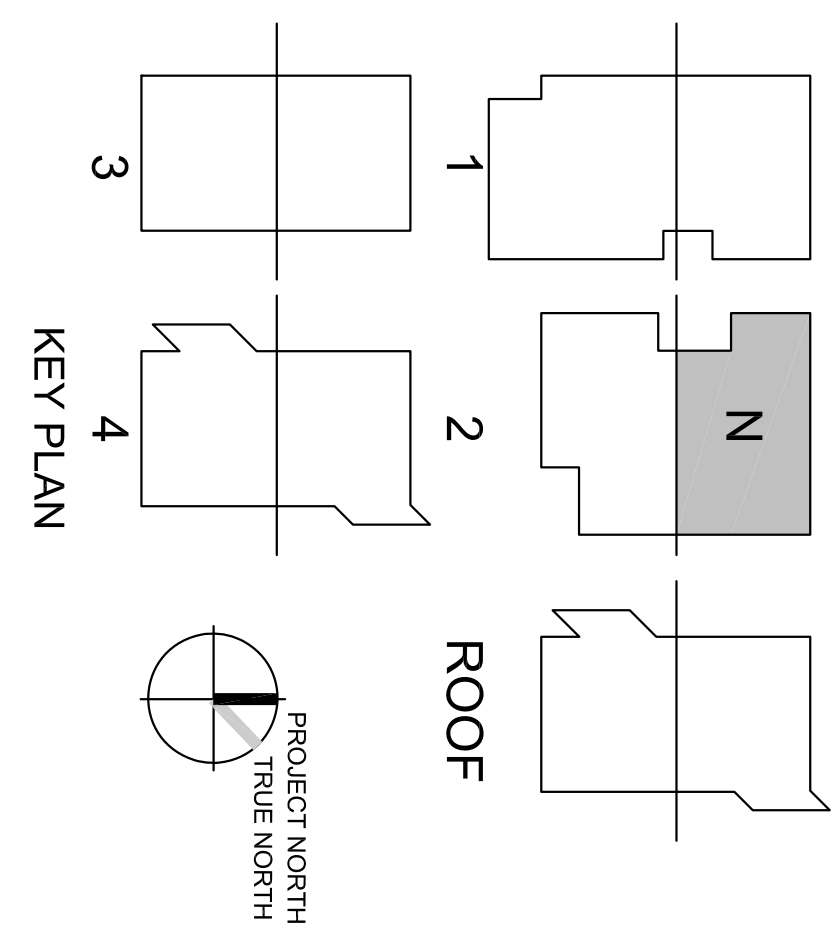
1 Enlarged Kitchen Pressure Piping Plan
SCALE: 1/4"=1'-0"

J.W. McCLENNAHAN CO.
225 N. Main St.
San Mateo, CA 94401
415.397.5151
FAX (415) 397-5888

800 TOWNSEND CENTER DR
SAN MATEO, CA 94402
415.397.5151
FAX (415) 397-5888

900 MARKET AVENUE
SAN MATEO, CA 94401
415.397.5151
FAX (415) 397-5888

RECORD DOCUMENT
DATE: October 15, 2010



Revision	Description	Date
100%	Design Development	06/30/08
50%	Construction Documents	07/05/08
95%	Construction Documents	10/05/08
95%	Construction Documents	12/08/08
OSA Final		03/11/09

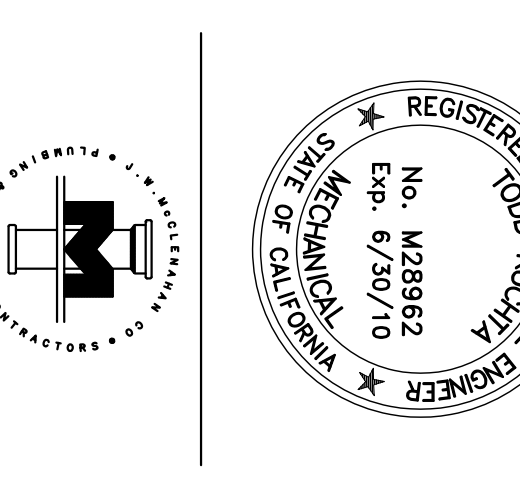
Revision	Description	Date

**College of San Mateo
Building 10N**

San Mateo, CA

Developed for
San Mateo County Community College District

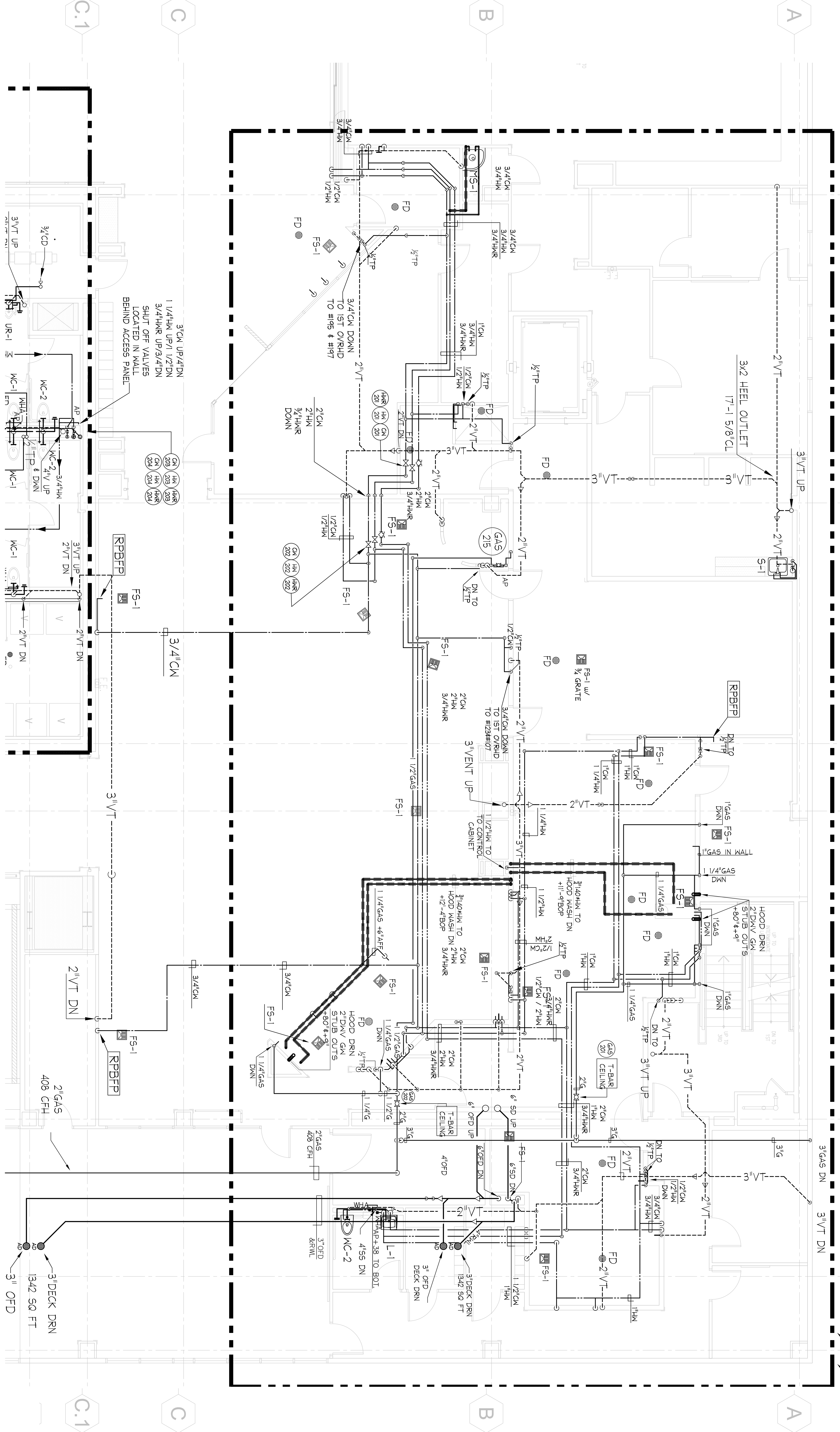
J.W. McCLENNAHAN CO.
2200 FARM AVE
SAN MATEO, CA 94403
415.397.5151
FAX (415) 397-5888



APR. #	01-110095
DATE	01-11-09
FILE NUMBER	41-C1

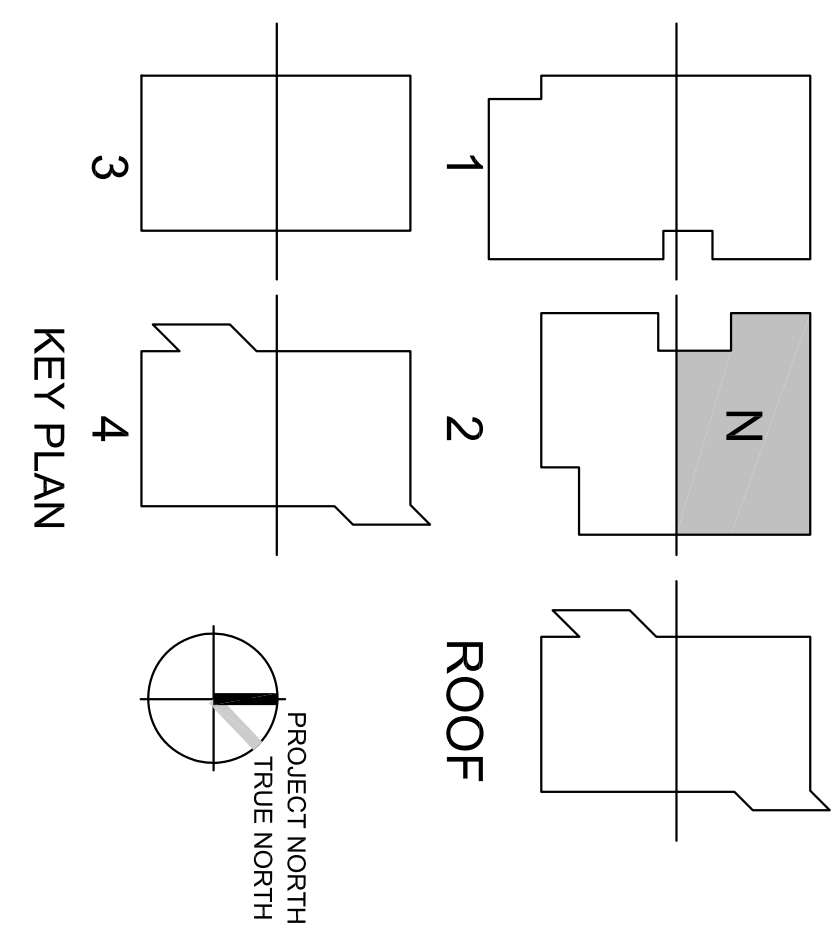
McCarthy Building Companies, Inc.
343 S. Bascom Ave., Suite 1414
San Francisco, California 94104
P 415.397.5151
F 415.397.5999





1 Enlarged Kitchen DWV Piping Plan
SCALE: 1/4"=1'-0"

J.W. McCLENNAHAN CO.
 2201 PALM AVE
 SAN LUIS OBISPO, CA 94963
 TEL: (805) 342-4888
 FAX: (805) 342-4889
RECORD DOCUMENT
 DATE: October 15, 2010



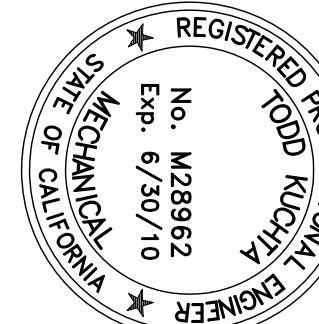
ROOF

Revision	Description	Date
06/30/08	100% Design Development	
07/05/08	50% Construction Documents	
08/14/08	95% Construction Documents	
12/08/08	95% Construction Documents	
03/11/09	DSA Final	

Revision	Description	Date

**College of San Mateo
 Building 10N**
 San Mateo, CA
 Developed for
 San Mateo County Community College District

J.W. McCLENNAHAN CO.
 2201 PALM AVE
 SAN LUIS OBISPO, CA 94963
 TEL: (805) 342-4888
 FAX: (805) 342-4889



DATE	FILE NUMBER
41-C1	

McCarthy Building Companies, Inc.
 343 S. Bascom Ave., Suite 1410
 San Francisco, California 94104
 P 415 397-5151
 F 415 397-5999





McCarthy Building Companies, Inc.
 343 S. Bascom Ave., Suite 144
 San Francisco, California 94104
 P 415 397-5151
 F 415 397-5999

EDUCATIONAL STAMP
 DIVISION OF THE STATE ASSISTANT
 OFFICE OF REGISTRATION SERVICES
 APRIL #: 01-110095
 FILE NUMBER: 41-C1



J.W. McCLELLANHAN CO.
 2001 PALM AVE
 SAN LITO, CA 94032
 SAN LITO, CA 94032
 FAX (650) 345-9881

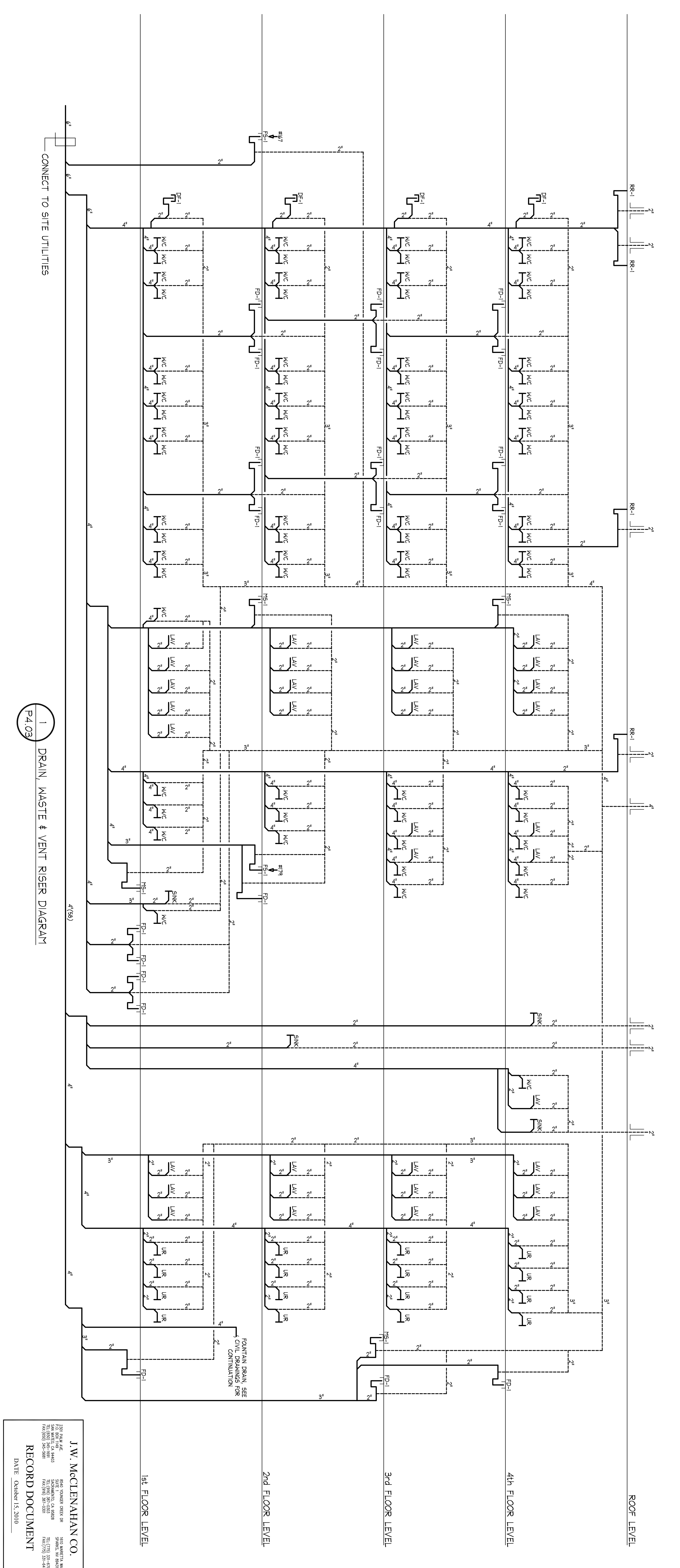
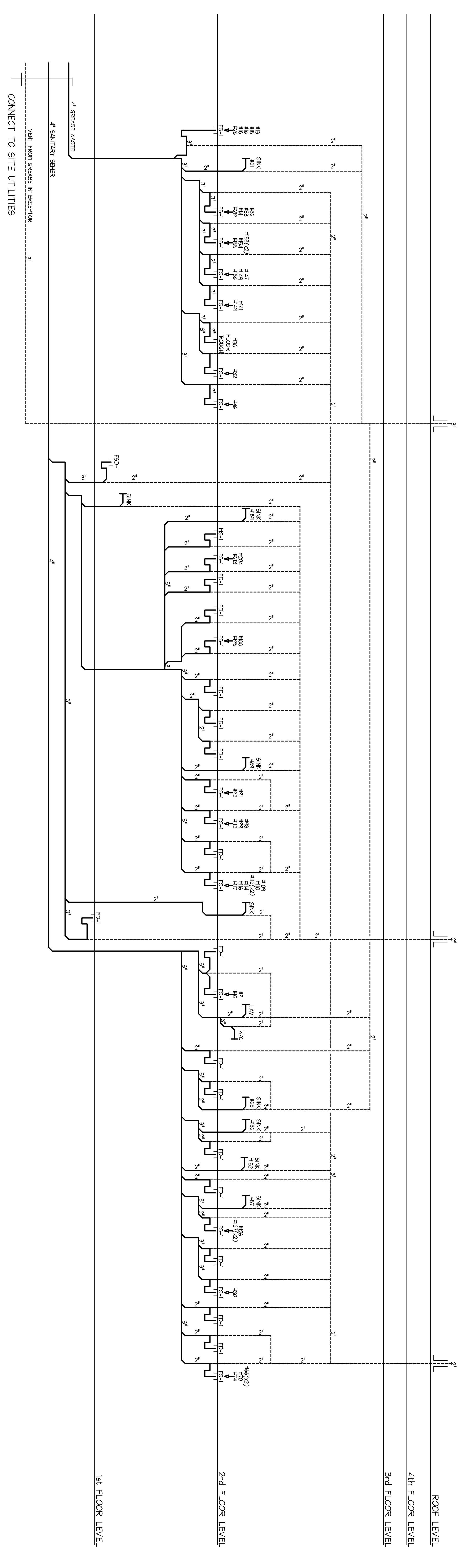
College of San Mateo
 Building 10N
 San Mateo, CA
 Developed for
 San Mateo County Community College District

Revision Description	Date
100% Design Development	06/03/08
50% Construction Documents	08/05/08
95% Construction Documents	12/08/08
DSA Final	11/11/09

Revision Description	Date
100% Design Development	06/03/08
50% Construction Documents	08/05/08
95% Construction Documents	12/08/08
DSA Final	11/11/09

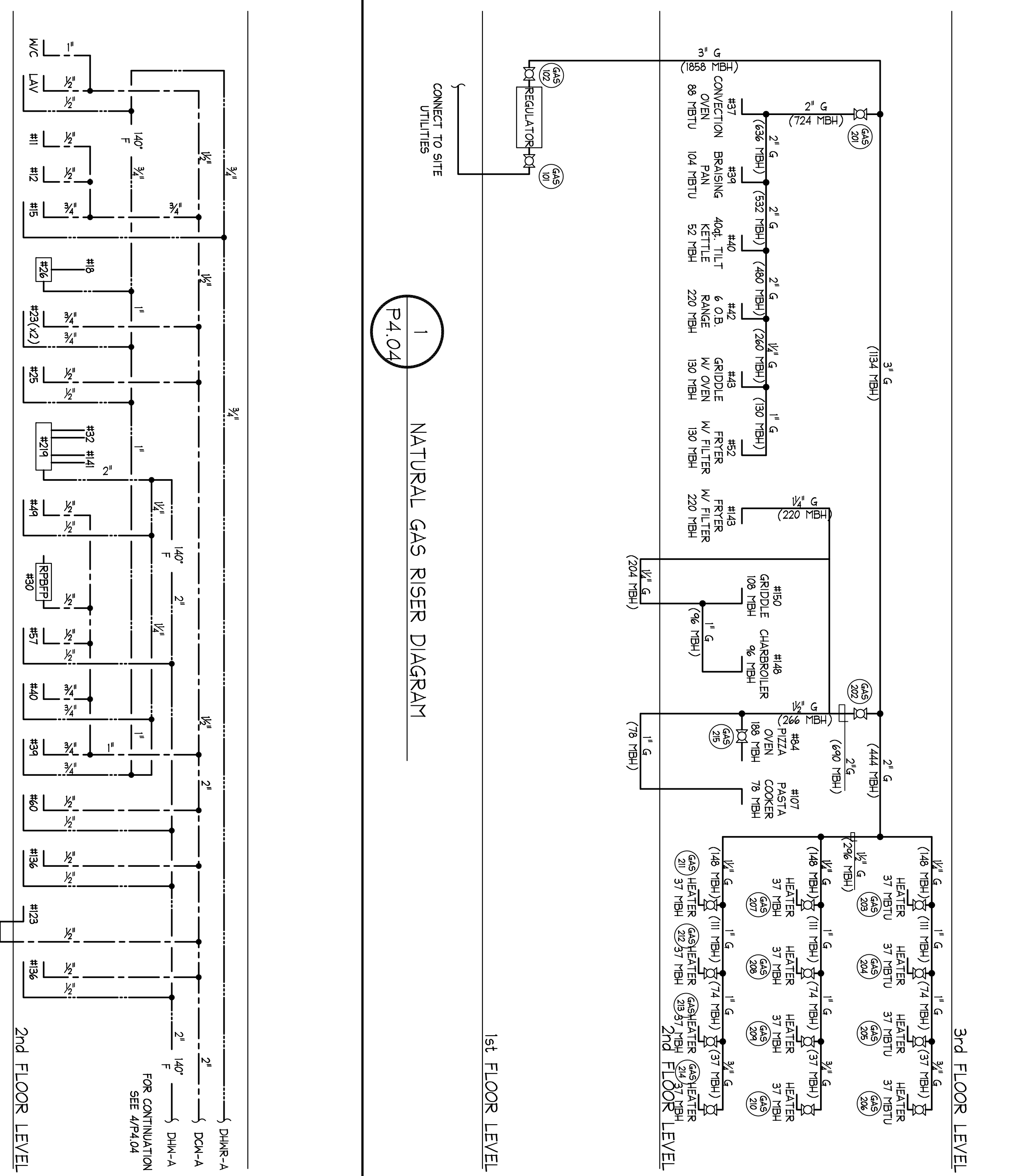
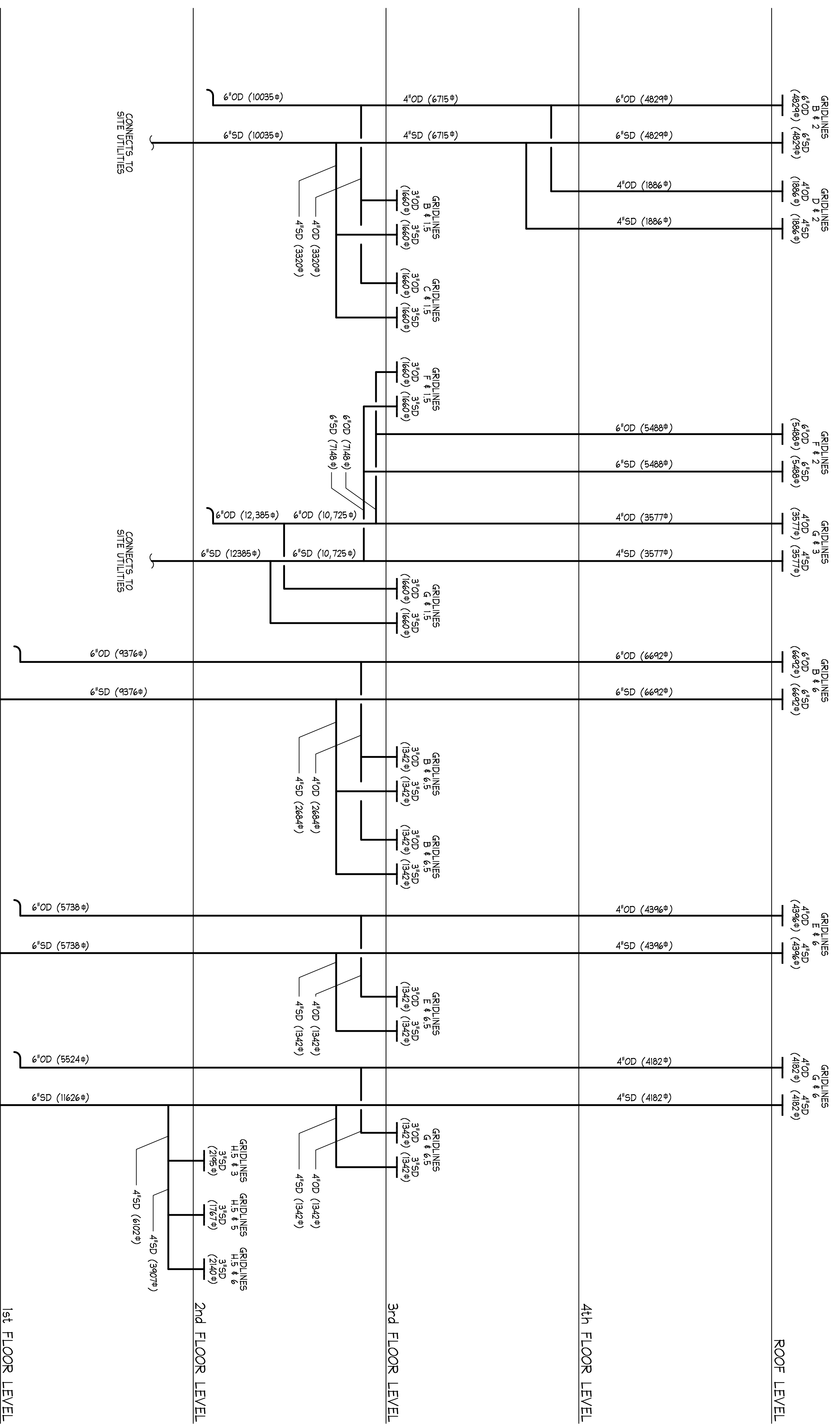
JOB NO.	2708/231
DATE	March 2008
Checked by	TK
Scale	NONE

Storm Riser Diagram
 DWV Riser Diagram
P4.03



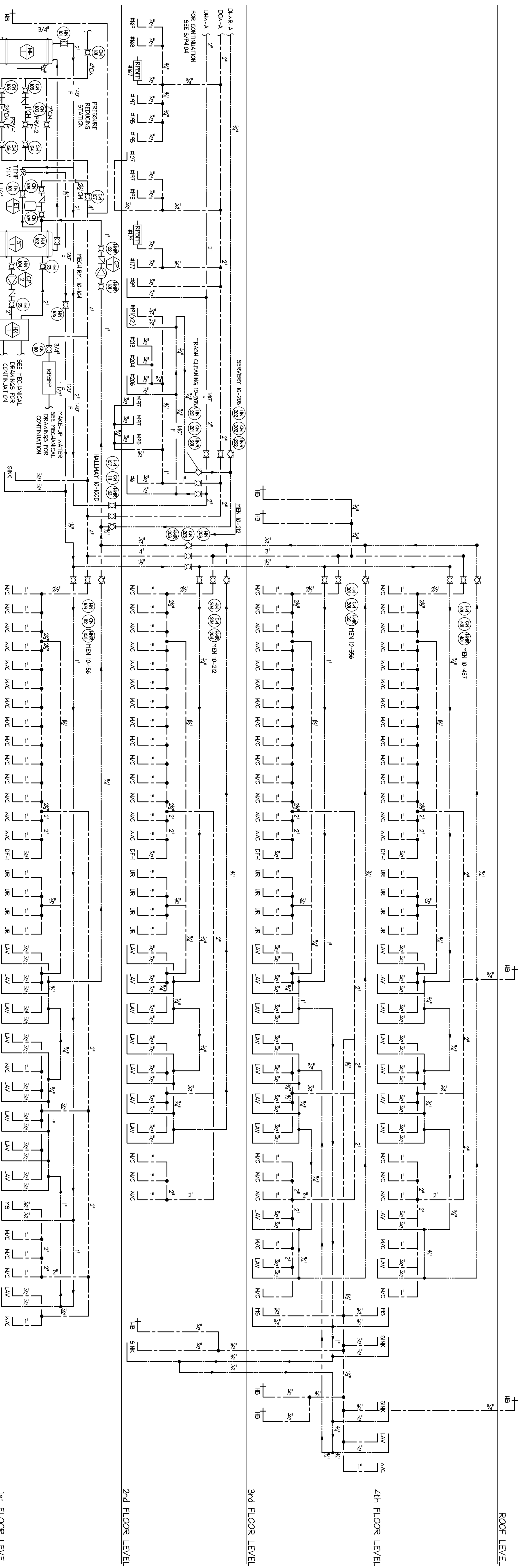
1 DRAIN, WASTE & VENT RISER DIAGRAM
 P4.03

J.W. McCLELLANHAN CO.
 2001 PALM AVE
 SAN LITO, CA 94032
 SAN LITO, CA 94032
 FAX (650) 345-9881
 RECORD DOCUMENT
 DATE October 15, 2010



2 STORM AND OVERFLOW DRAIN RISER DIAGRAM

3 DOMESTIC WATER RISER DIAGRAM



4 DOMESTIC WATER RISER DIAGRAM

J.W. McCLENNAHAN CO.
 2001 PALM AVE
 SAN MATEO, CA 94403
 TEL: (650) 331-4400
 FAX: (650) 331-4400

RECORD DOCUMENT
 DATE: October 15, 2010

Revision	Description	Date
06/05/08	100% Design Development	06/05/08
07/16/08	50% Construction Documents	07/16/08
08/14/08	90% Construction Documents	08/14/08
12/08/08	95% Construction Documents	12/08/08
03/11/09	DSA Final	03/11/09

Revision	Description	Date

Revision	Description	Date

College of San Mateo
 Building 10N

San Mateo, CA

Developed for
 San Mateo County Community College District

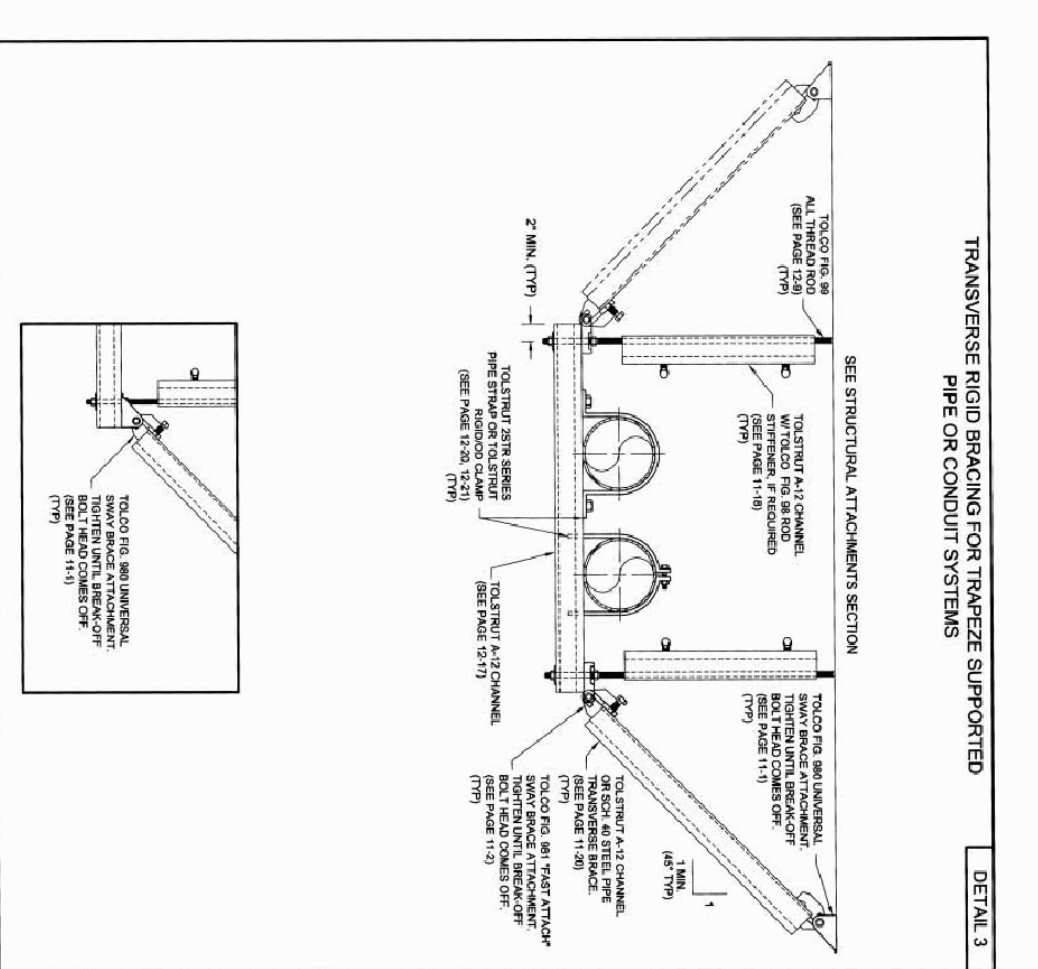
J.W. McCLENNAHAN CO.
 2001 PALM AVE
 SAN MATEO, CA 94403
 TEL: (650) 331-4400
 FAX: (650) 331-4400

REGISTERED PROFESSIONAL ENGINEER
 No. M28982
 Exp. 6/30/10
 STATE OF CALIFORNIA
 MECHANICAL ENGINEER

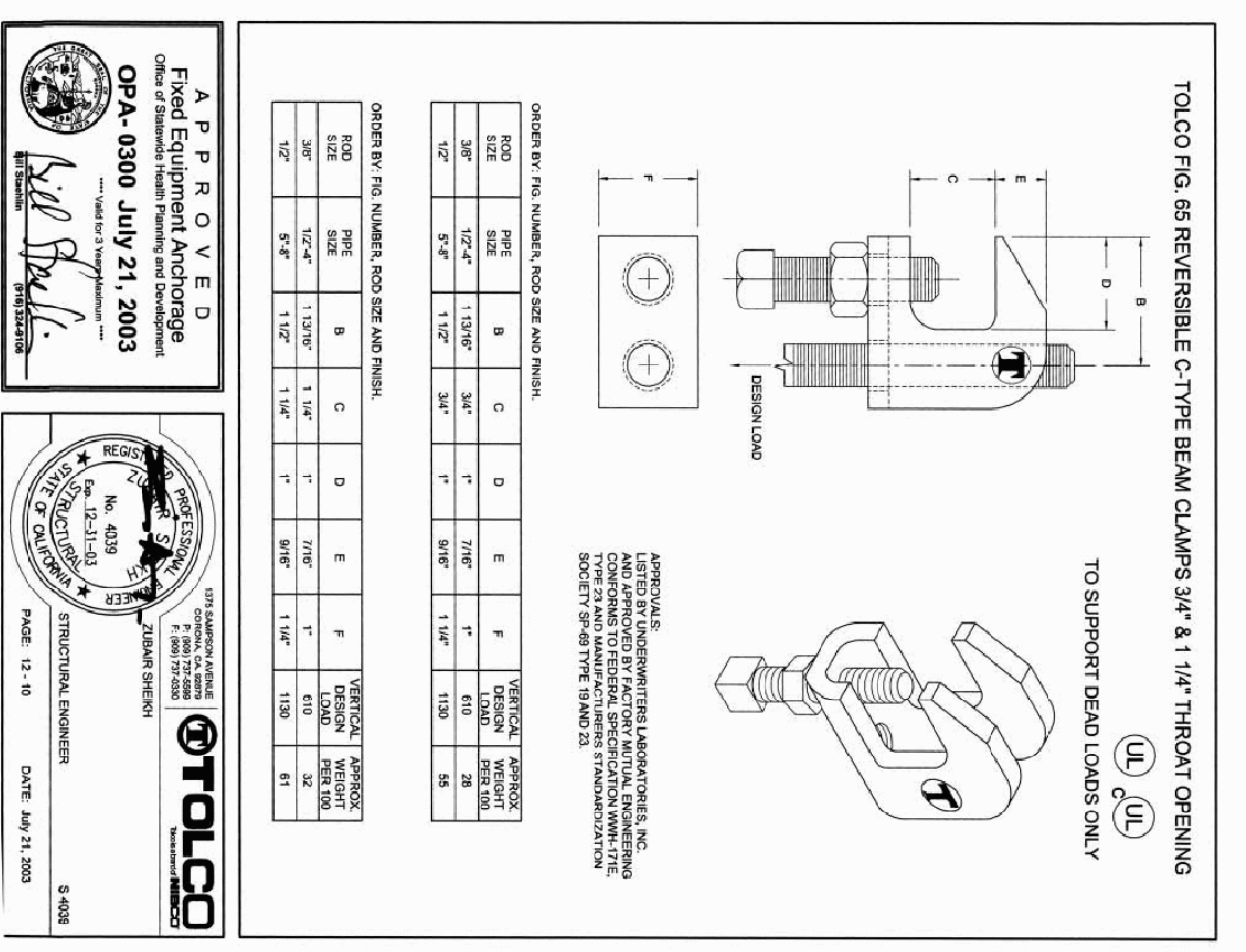
ENGINEERING FIRM
 DIVISION OF THE STATE ASSISTANT
 ENGINEER OF MECHANICAL ENGINEERING
 OFFICE OF REGISTRATION SERVICES
 APPL. F. 01-110095
 FILE NUMBER: 41-C1

McCarthy Building Companies, Inc.
 343 Serrano Ave., Suite 1414, Palo Alto
 San Francisco, California 94104
 P 415 397-5151
 F 415 397-5999

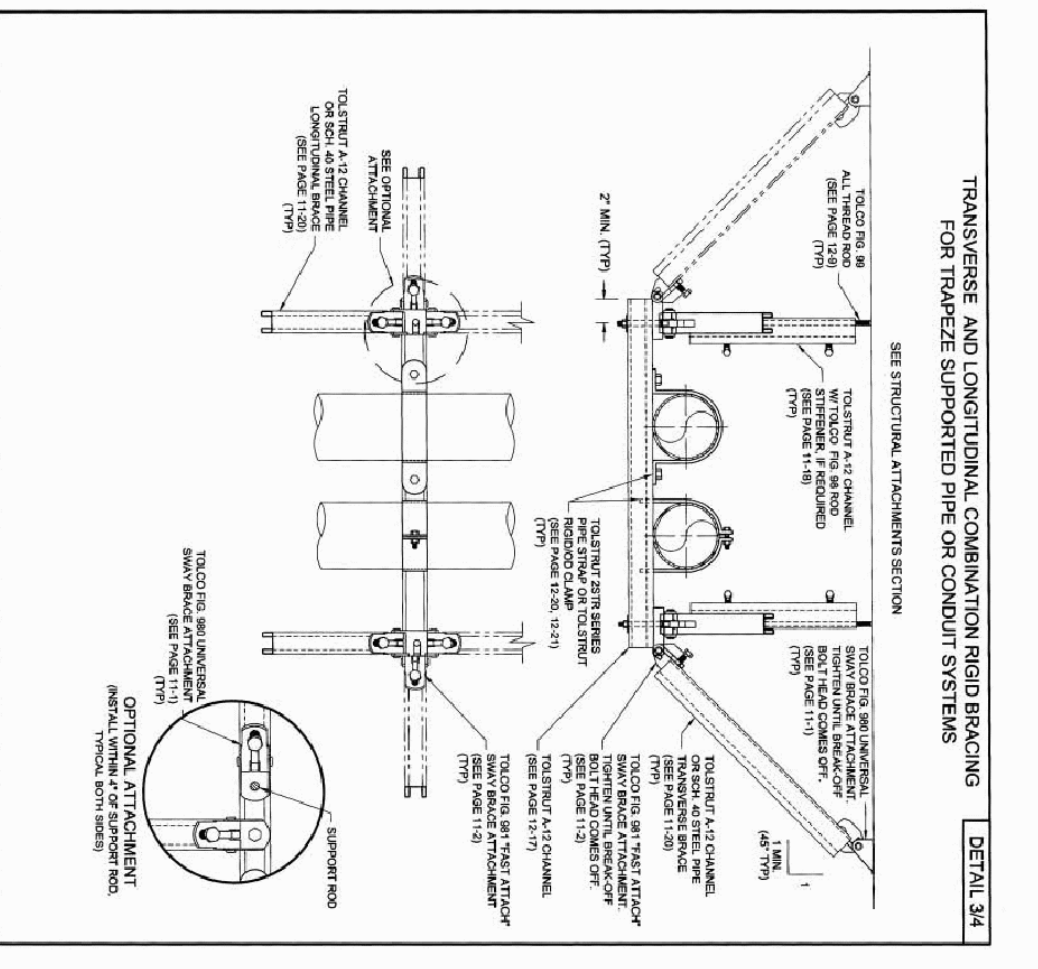
LPA
 KH
 MCCARTHY



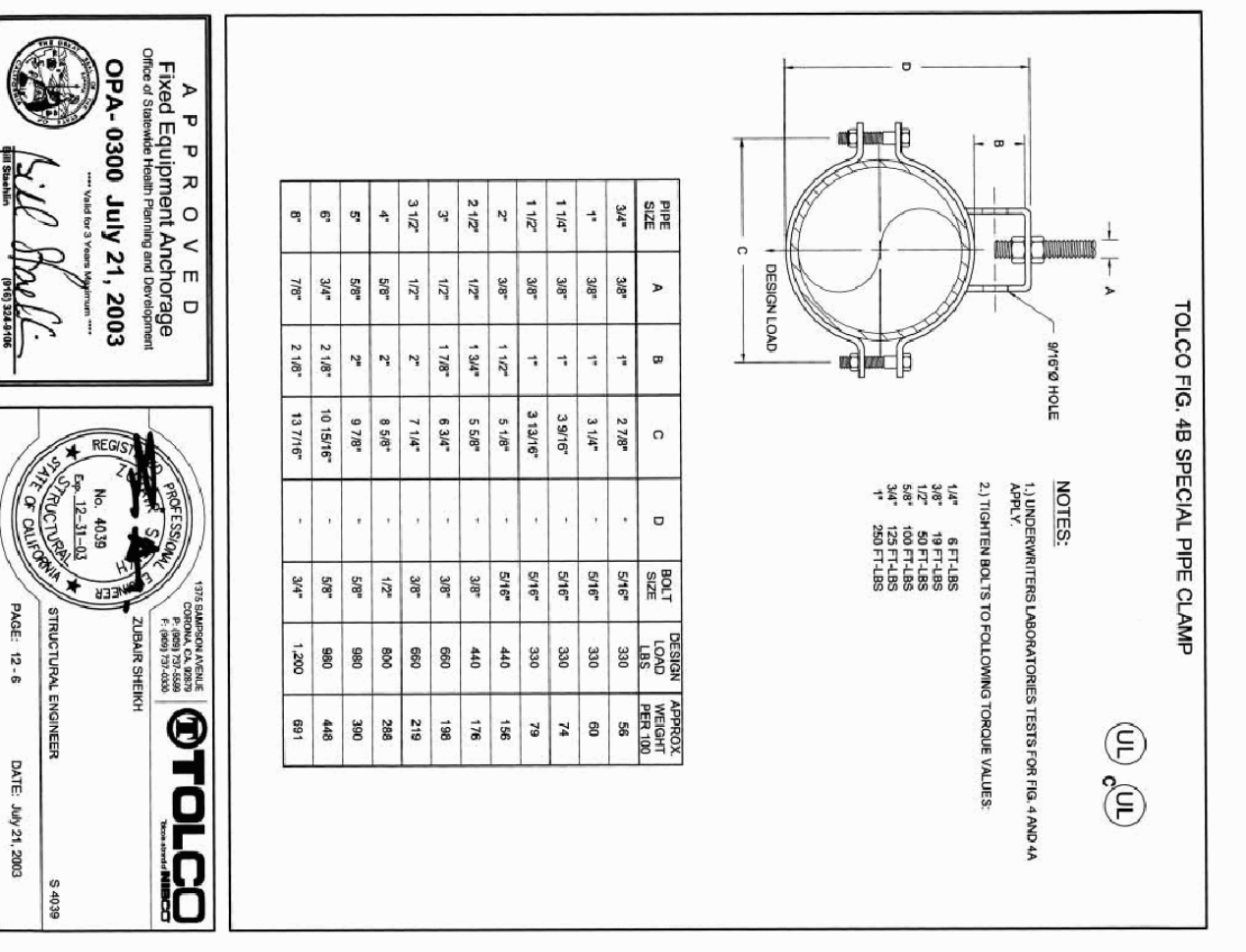
APPROVED
Fixed Equipment Anchorage
OPA-0300 July 21, 2003
DATE: July 21, 2003
SCALE: 1/4" = 1'-0"
DRAWN: J. W. McCLENNAN
CHECKED: J. W. McCLENNAN
DESIGNED: J. W. McCLENNAN



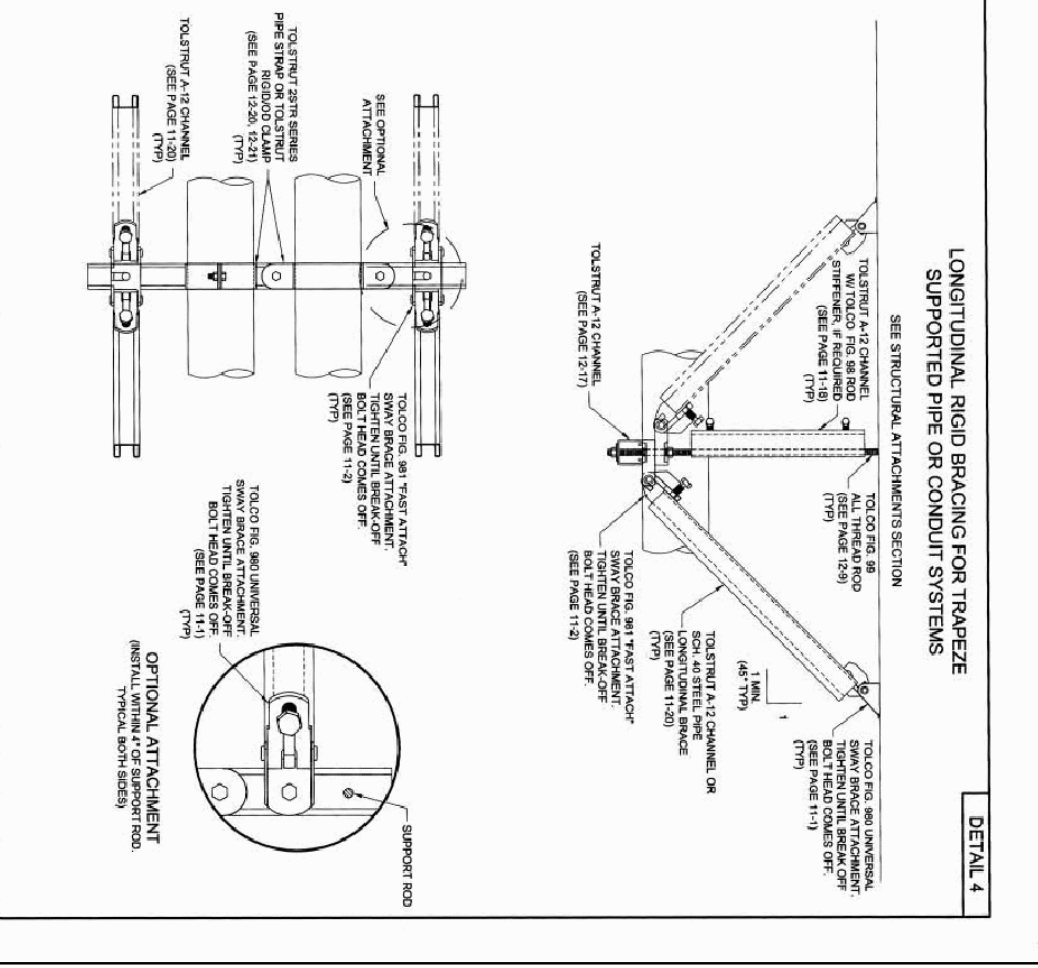
APPROVED
Fixed Equipment Anchorage
OPA-0300 July 21, 2003
DATE: July 21, 2003
SCALE: 1/4" = 1'-0"
DRAWN: J. W. McCLENNAN
CHECKED: J. W. McCLENNAN
DESIGNED: J. W. McCLENNAN



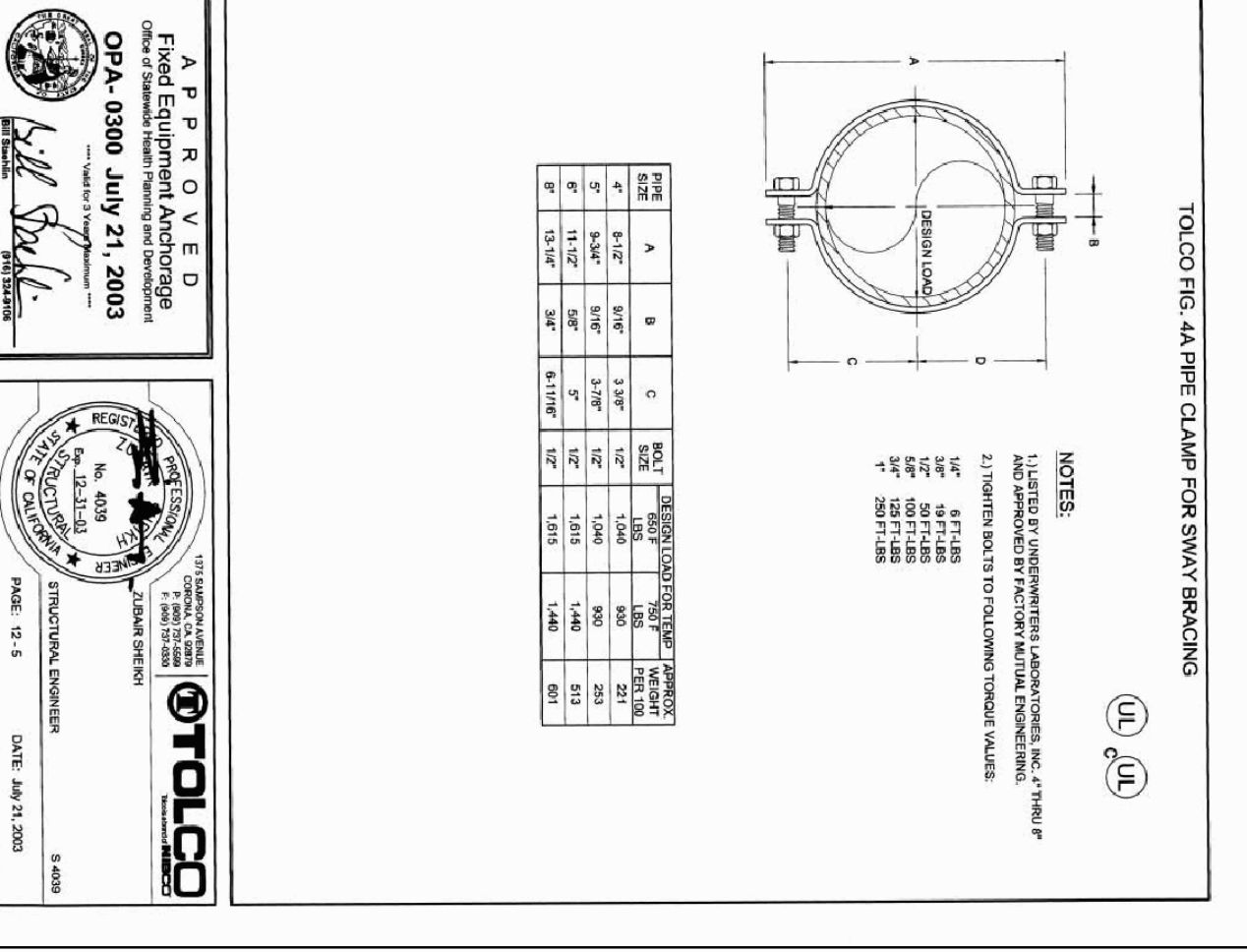
APPROVED
Fixed Equipment Anchorage
OPA-0300 July 21, 2003
DATE: July 21, 2003
SCALE: 1/4" = 1'-0"
DRAWN: J. W. McCLENNAN
CHECKED: J. W. McCLENNAN
DESIGNED: J. W. McCLENNAN



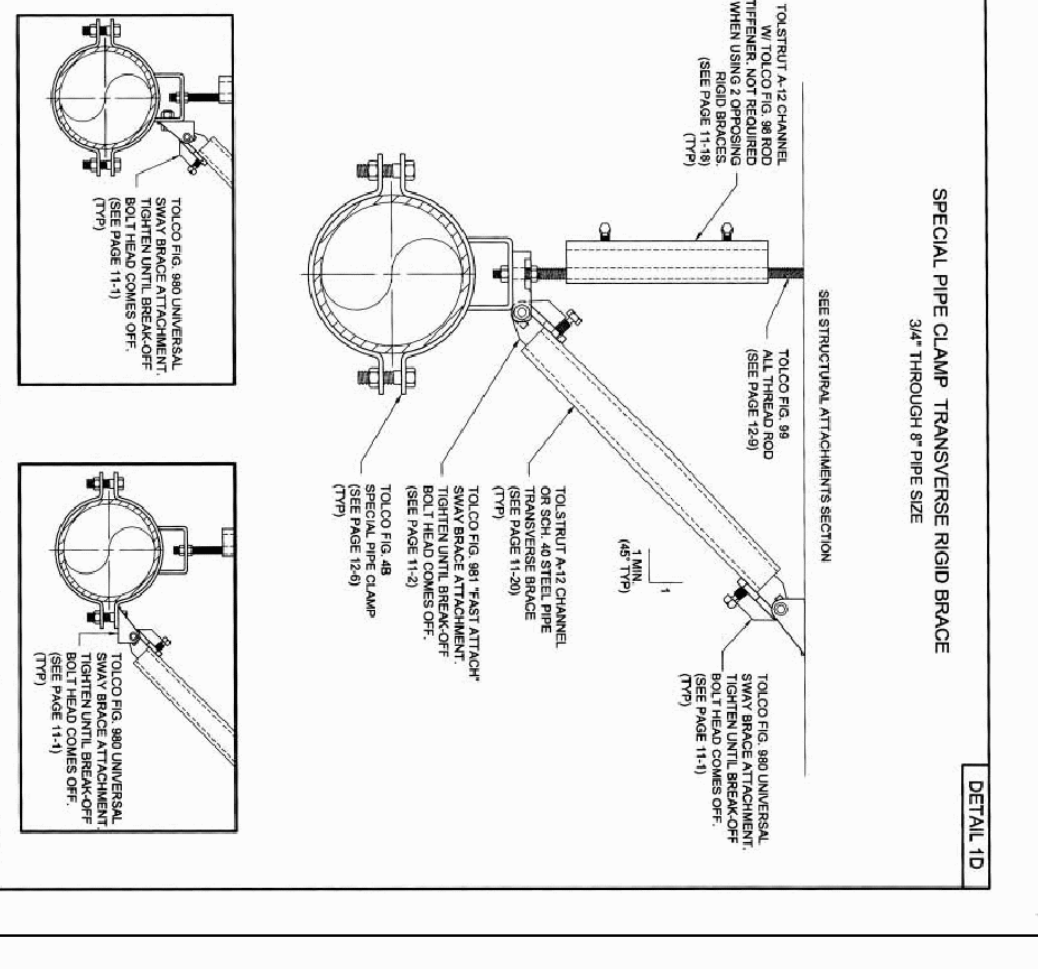
APPROVED
Fixed Equipment Anchorage
OPA-0300 July 21, 2003
DATE: July 21, 2003
SCALE: 1/4" = 1'-0"
DRAWN: J. W. McCLENNAN
CHECKED: J. W. McCLENNAN
DESIGNED: J. W. McCLENNAN



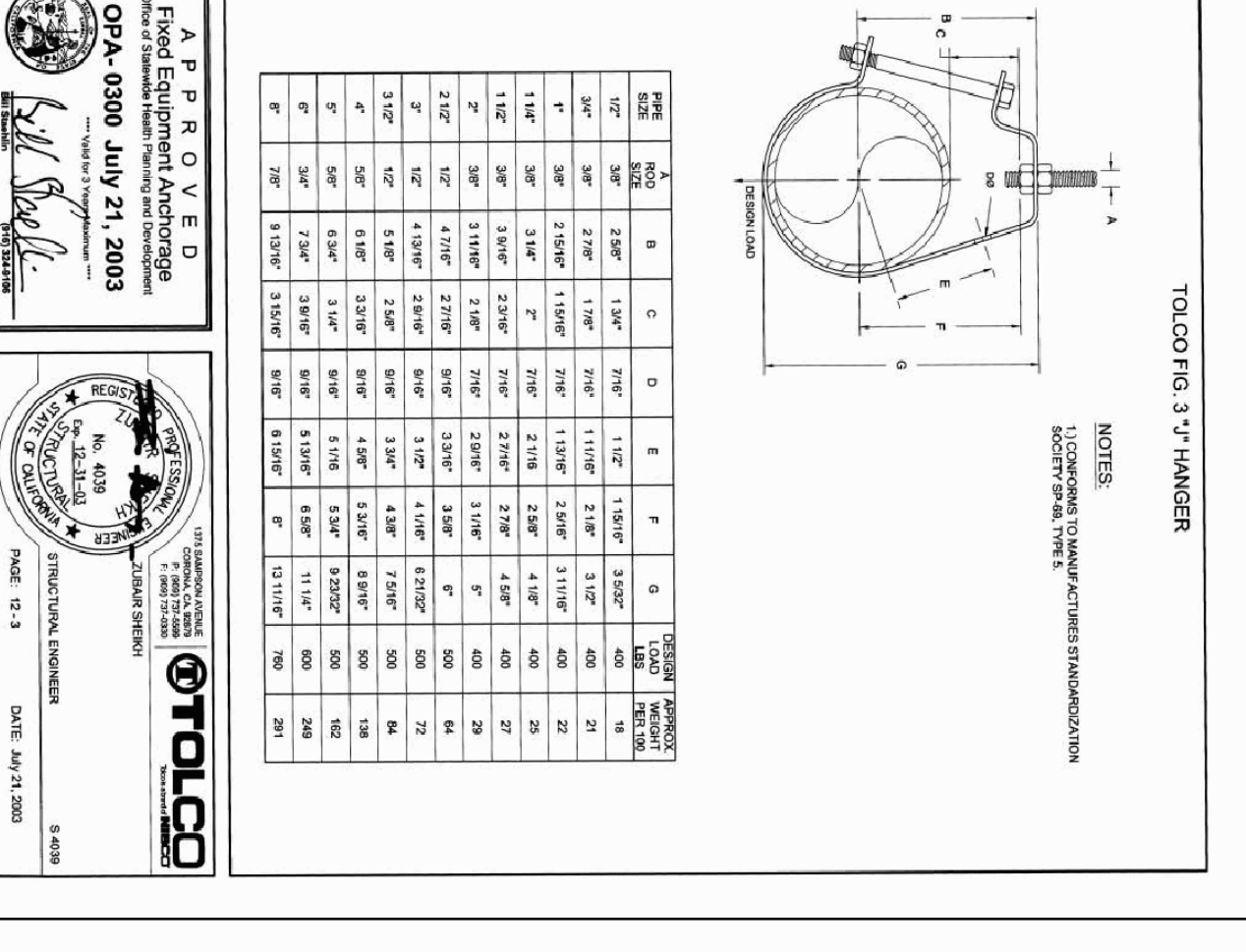
APPROVED
Fixed Equipment Anchorage
OPA-0300 July 21, 2003
DATE: July 21, 2003
SCALE: 1/4" = 1'-0"
DRAWN: J. W. McCLENNAN
CHECKED: J. W. McCLENNAN
DESIGNED: J. W. McCLENNAN



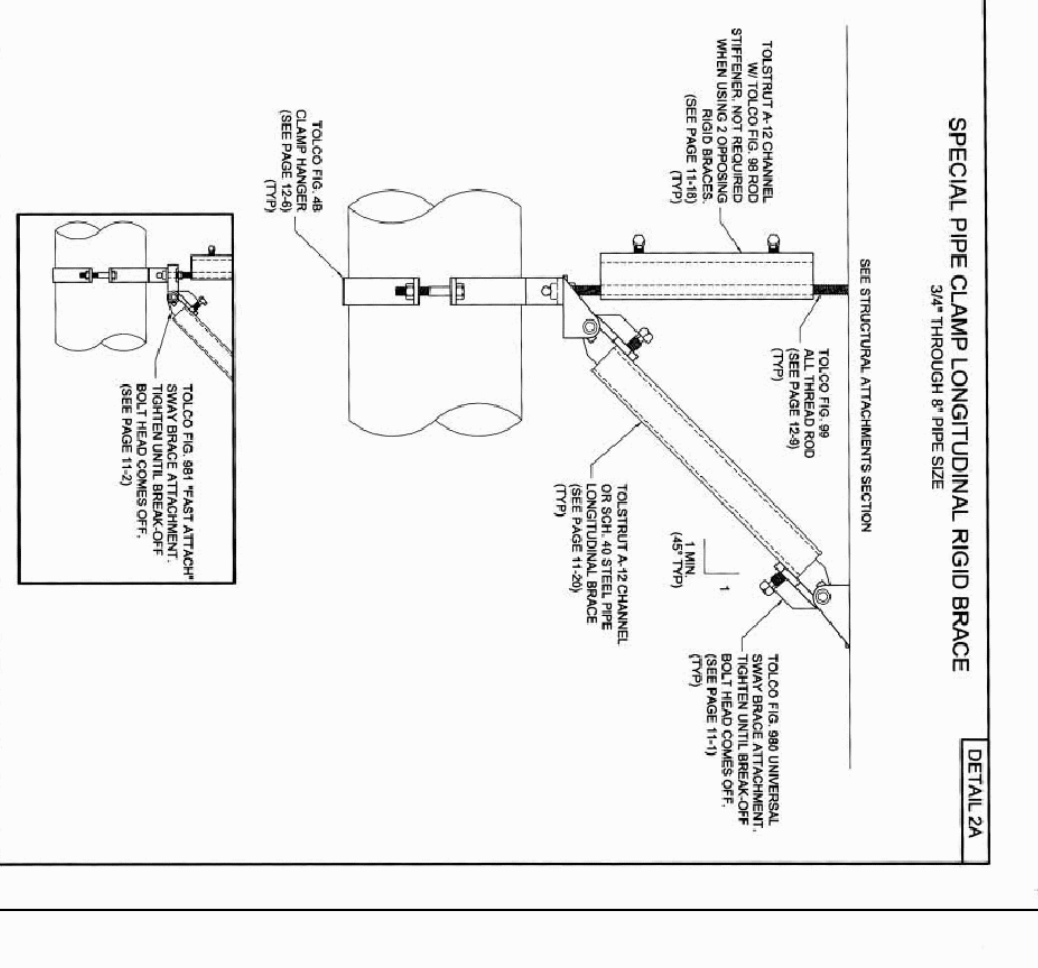
APPROVED
Fixed Equipment Anchorage
OPA-0300 July 21, 2003
DATE: July 21, 2003
SCALE: 1/4" = 1'-0"
DRAWN: J. W. McCLENNAN
CHECKED: J. W. McCLENNAN
DESIGNED: J. W. McCLENNAN



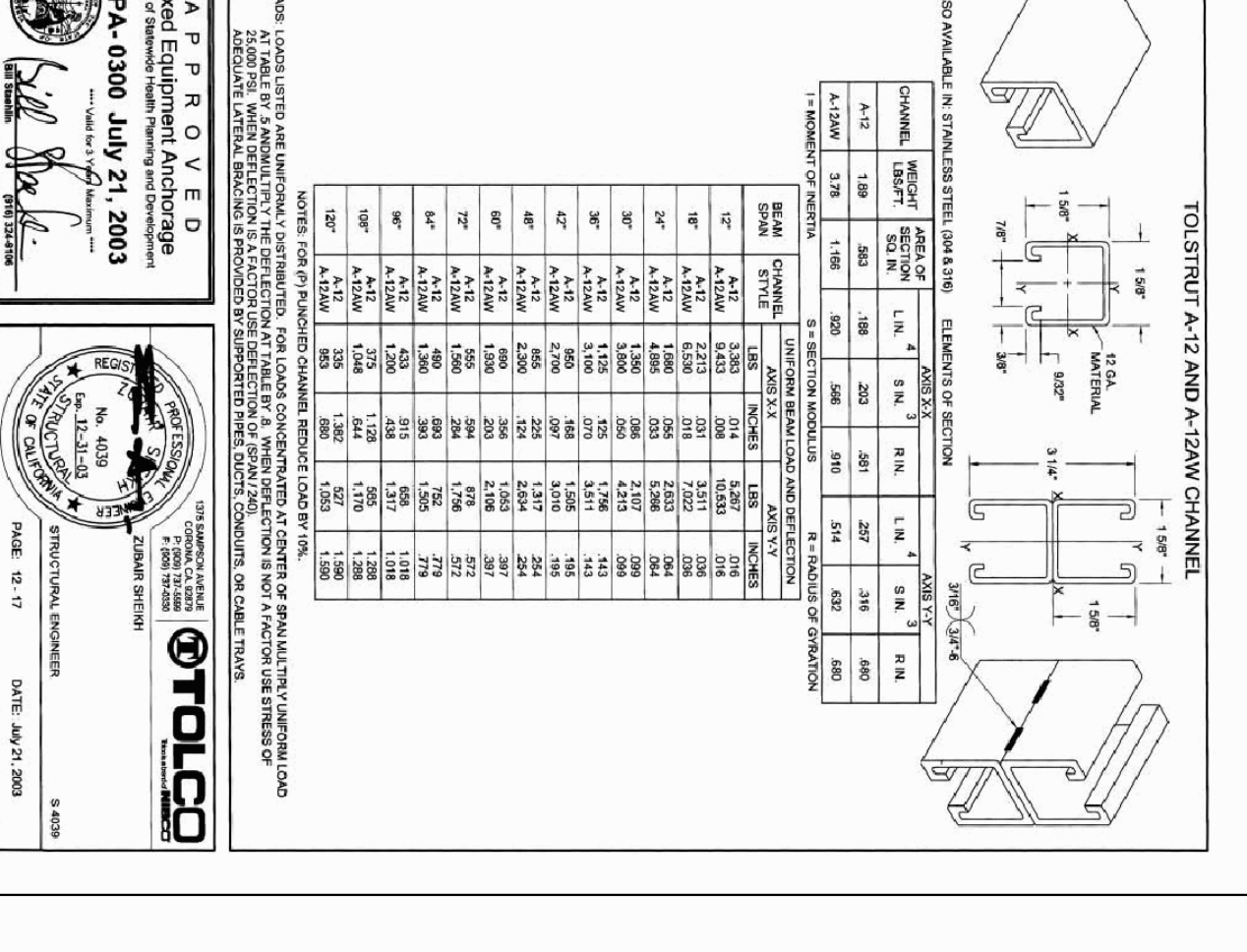
APPROVED
Fixed Equipment Anchorage
OPA-0300 July 21, 2003
DATE: July 21, 2003
SCALE: 1/4" = 1'-0"
DRAWN: J. W. McCLENNAN
CHECKED: J. W. McCLENNAN
DESIGNED: J. W. McCLENNAN



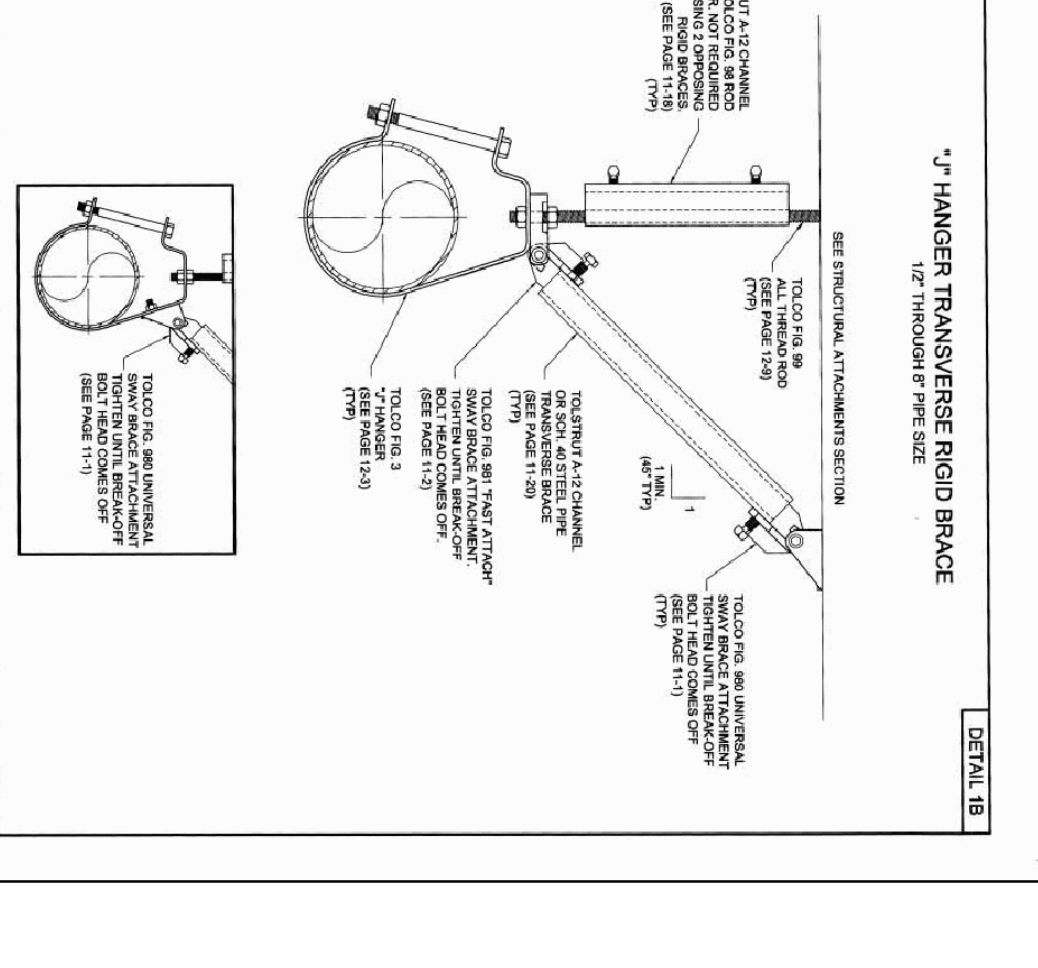
APPROVED
Fixed Equipment Anchorage
OPA-0300 July 21, 2003
DATE: July 21, 2003
SCALE: 1/4" = 1'-0"
DRAWN: J. W. McCLENNAN
CHECKED: J. W. McCLENNAN
DESIGNED: J. W. McCLENNAN



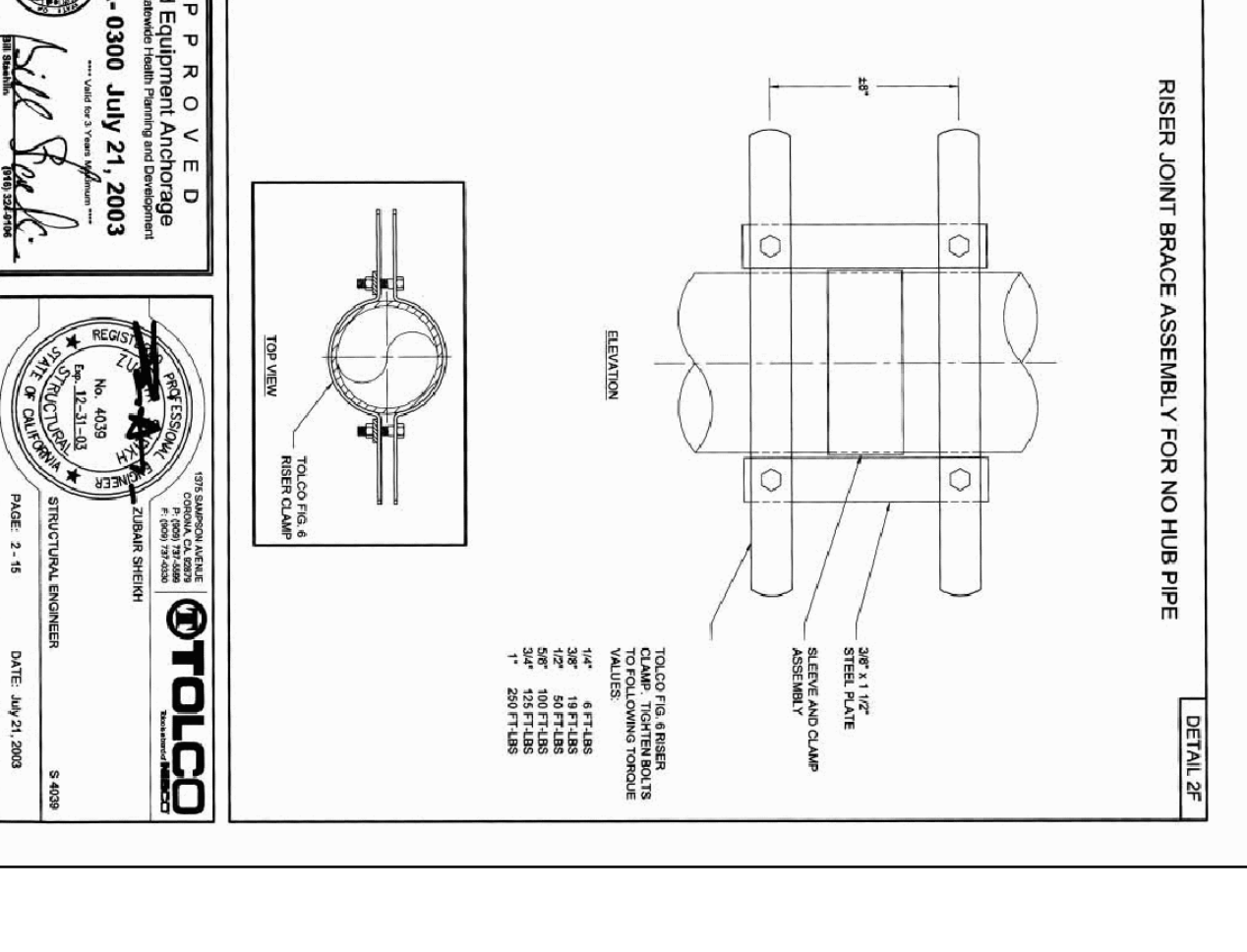
APPROVED
Fixed Equipment Anchorage
OPA-0300 July 21, 2003
DATE: July 21, 2003
SCALE: 1/4" = 1'-0"
DRAWN: J. W. McCLENNAN
CHECKED: J. W. McCLENNAN
DESIGNED: J. W. McCLENNAN



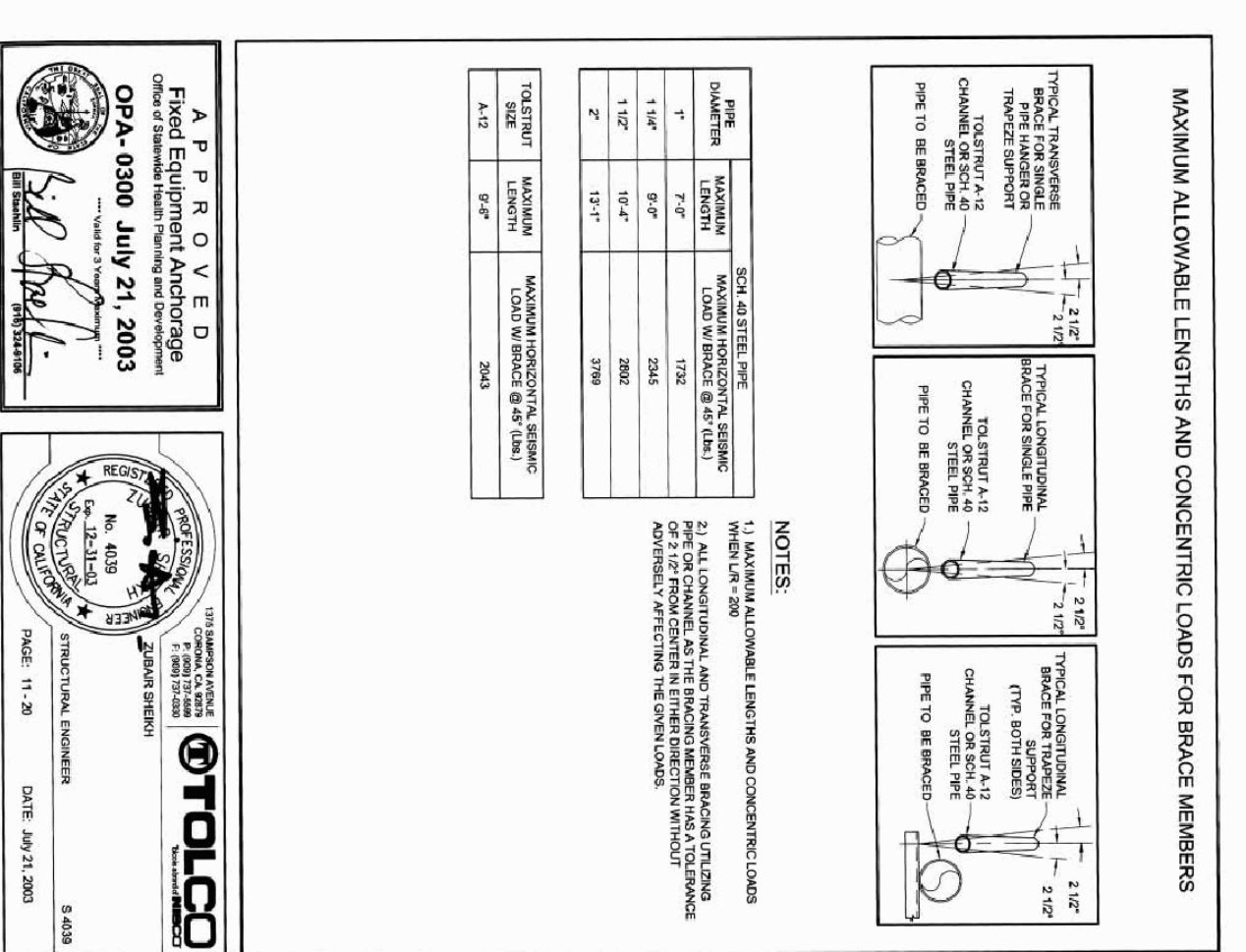
APPROVED
Fixed Equipment Anchorage
OPA-0300 July 21, 2003
DATE: July 21, 2003
SCALE: 1/4" = 1'-0"
DRAWN: J. W. McCLENNAN
CHECKED: J. W. McCLENNAN
DESIGNED: J. W. McCLENNAN



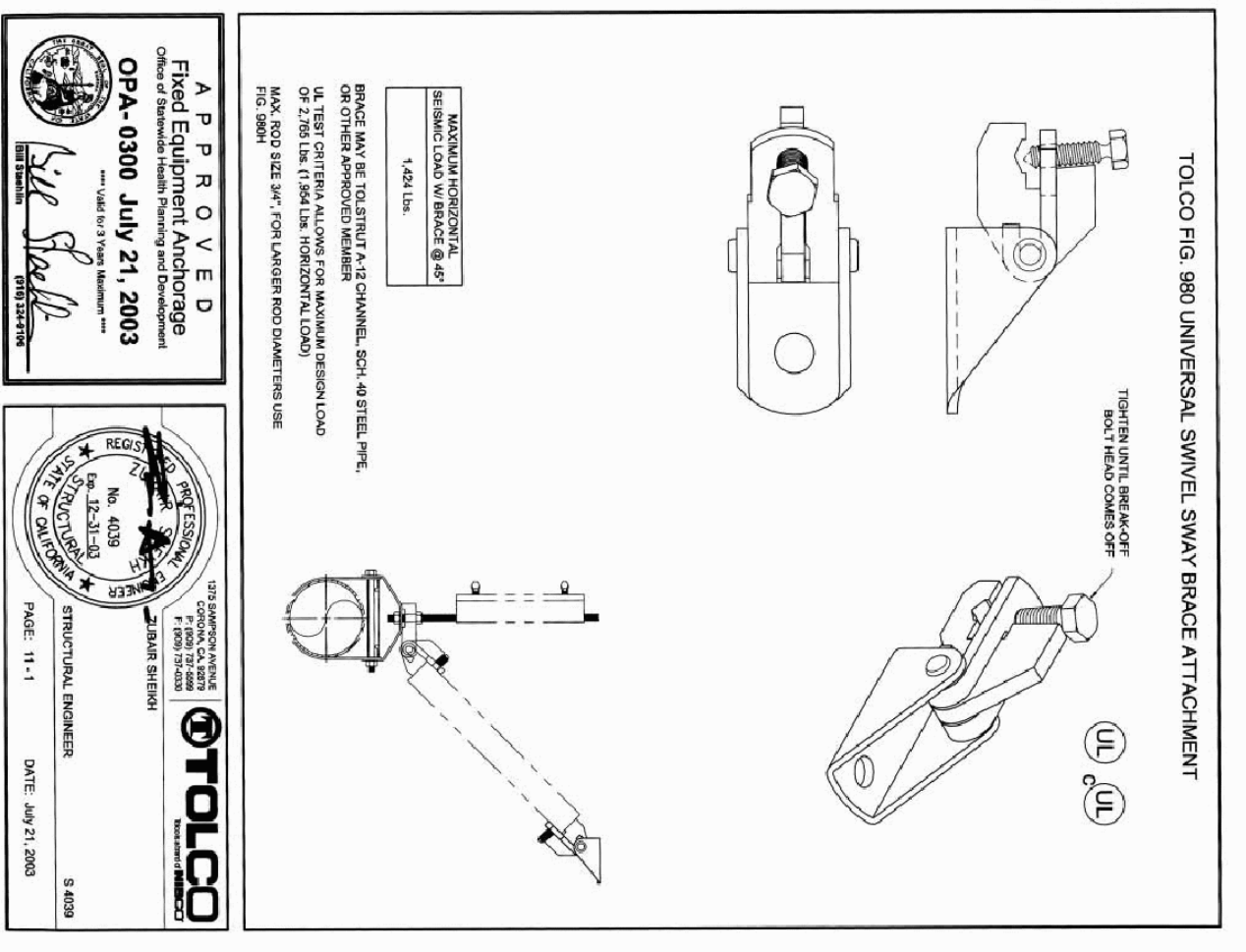
APPROVED
Fixed Equipment Anchorage
OPA-0300 July 21, 2003
DATE: July 21, 2003
SCALE: 1/4" = 1'-0"
DRAWN: J. W. McCLENNAN
CHECKED: J. W. McCLENNAN
DESIGNED: J. W. McCLENNAN



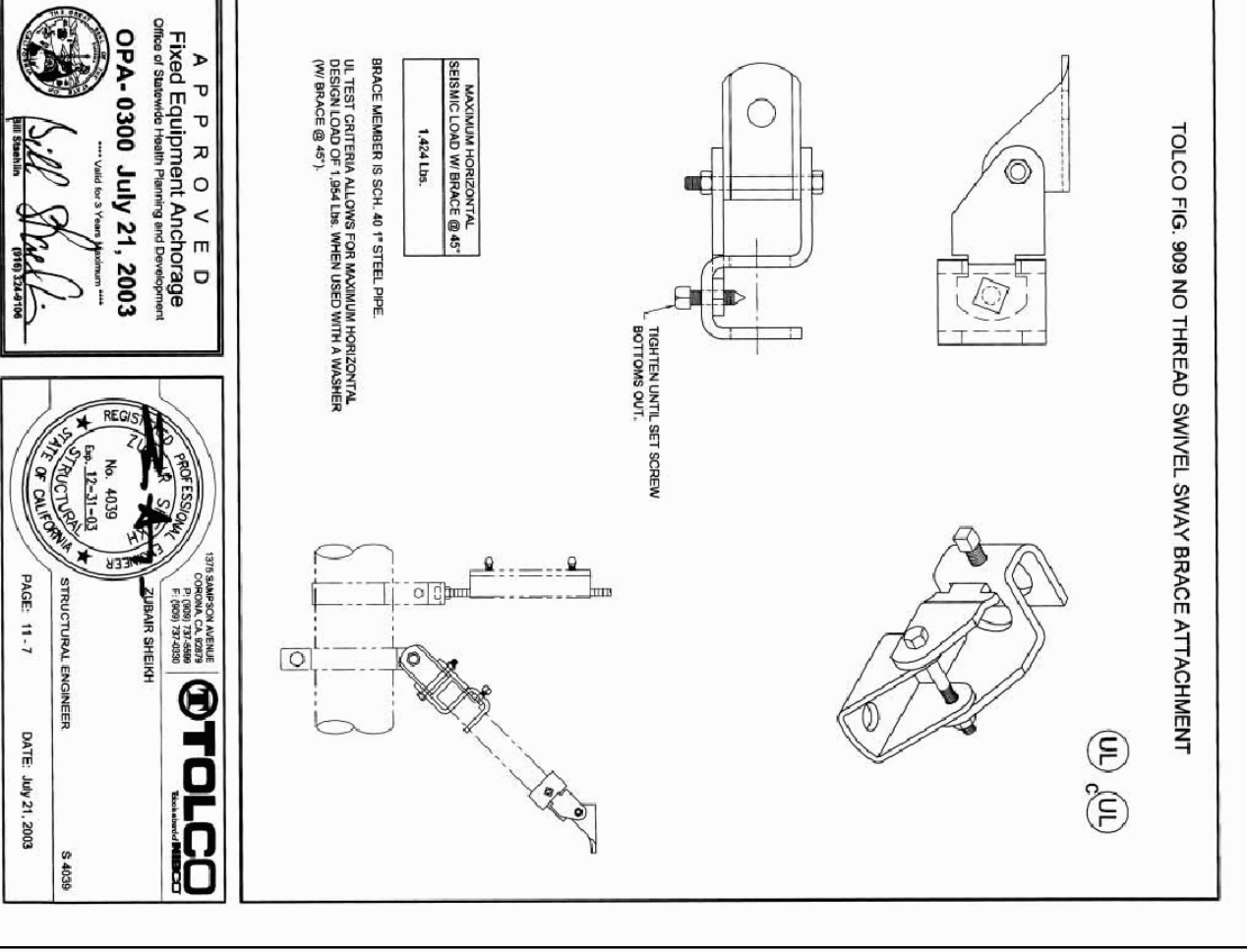
APPROVED
Fixed Equipment Anchorage
OPA-0300 July 21, 2003
DATE: July 21, 2003
SCALE: 1/4" = 1'-0"
DRAWN: J. W. McCLENNAN
CHECKED: J. W. McCLENNAN
DESIGNED: J. W. McCLENNAN



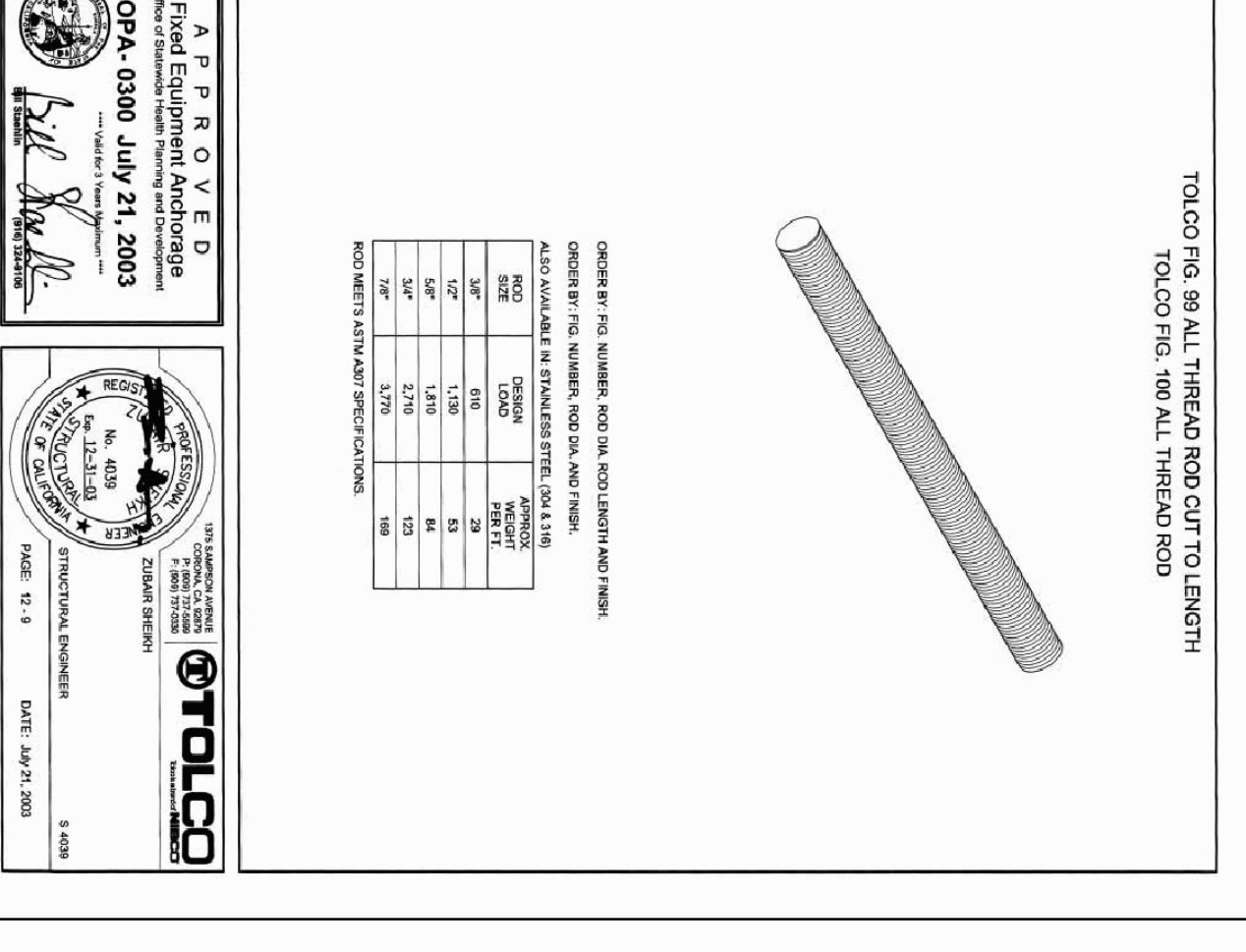
APPROVED
Fixed Equipment Anchorage
OPA-0300 July 21, 2003
DATE: July 21, 2003
SCALE: 1/4" = 1'-0"
DRAWN: J. W. McCLENNAN
CHECKED: J. W. McCLENNAN
DESIGNED: J. W. McCLENNAN



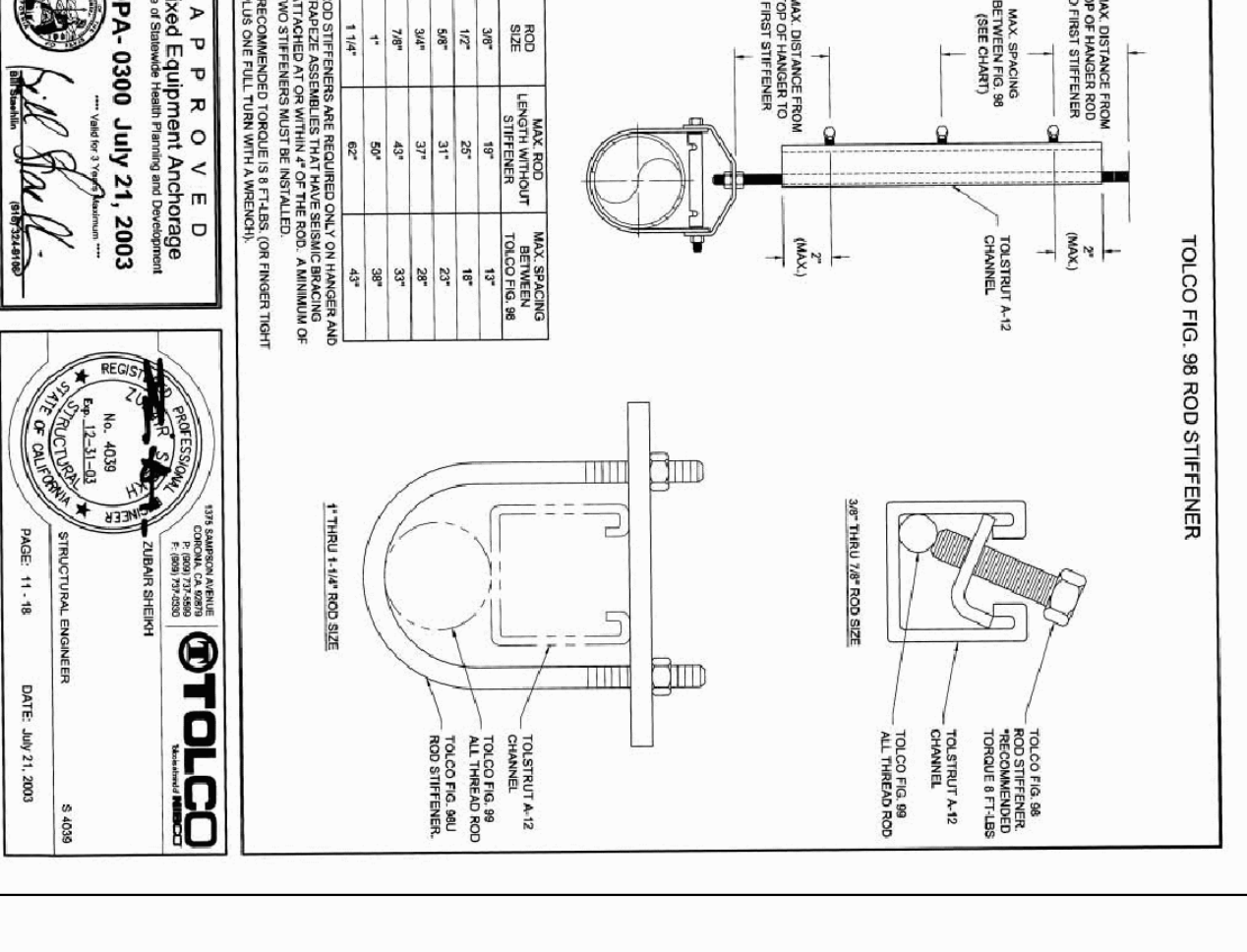
APPROVED
Fixed Equipment Anchorage
OPA-0300 July 21, 2003
DATE: July 21, 2003
SCALE: 1/4" = 1'-0"
DRAWN: J. W. McCLENNAN
CHECKED: J. W. McCLENNAN
DESIGNED: J. W. McCLENNAN



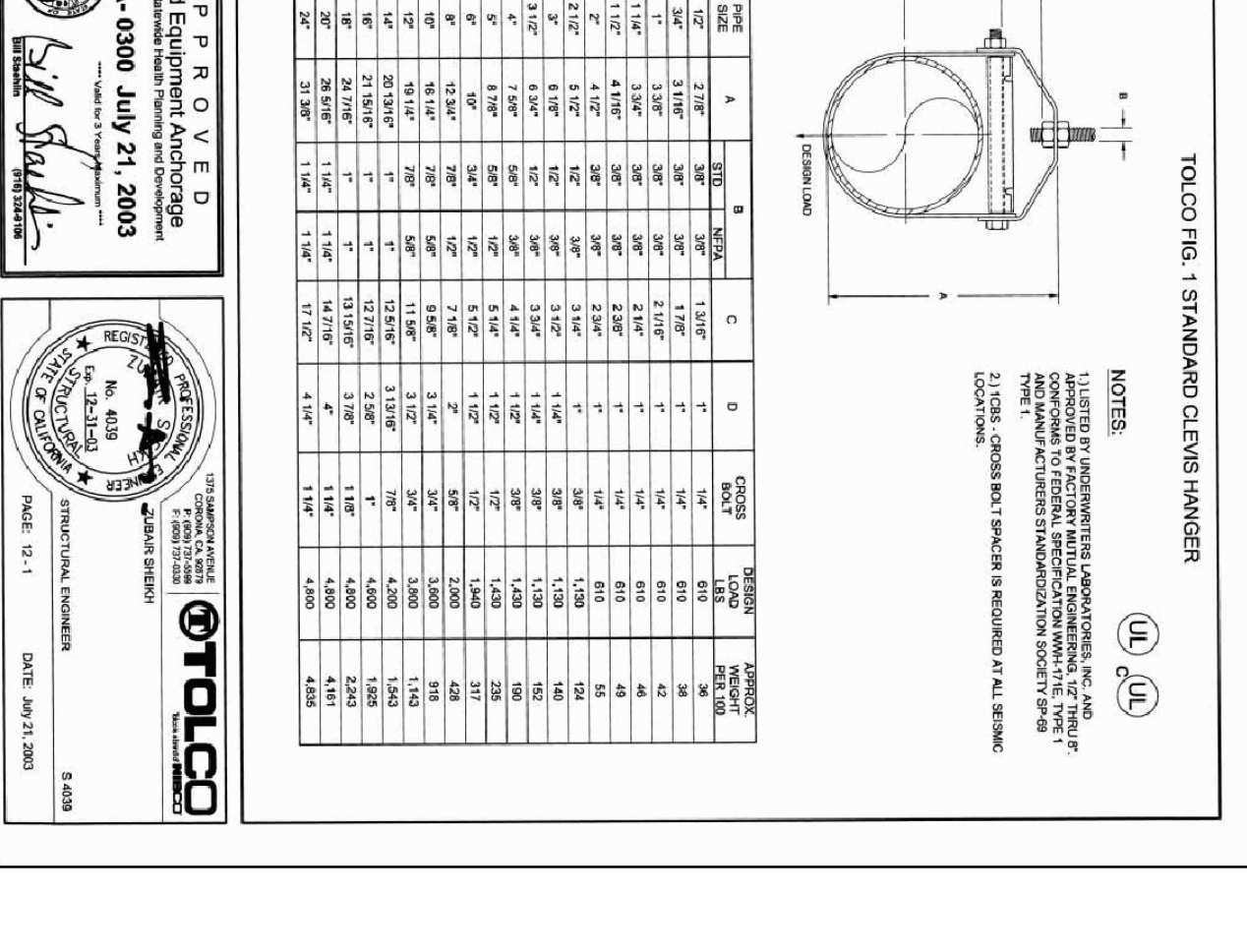
APPROVED
Fixed Equipment Anchorage
OPA-0300 July 21, 2003
DATE: July 21, 2003
SCALE: 1/4" = 1'-0"
DRAWN: J. W. McCLENNAN
CHECKED: J. W. McCLENNAN
DESIGNED: J. W. McCLENNAN



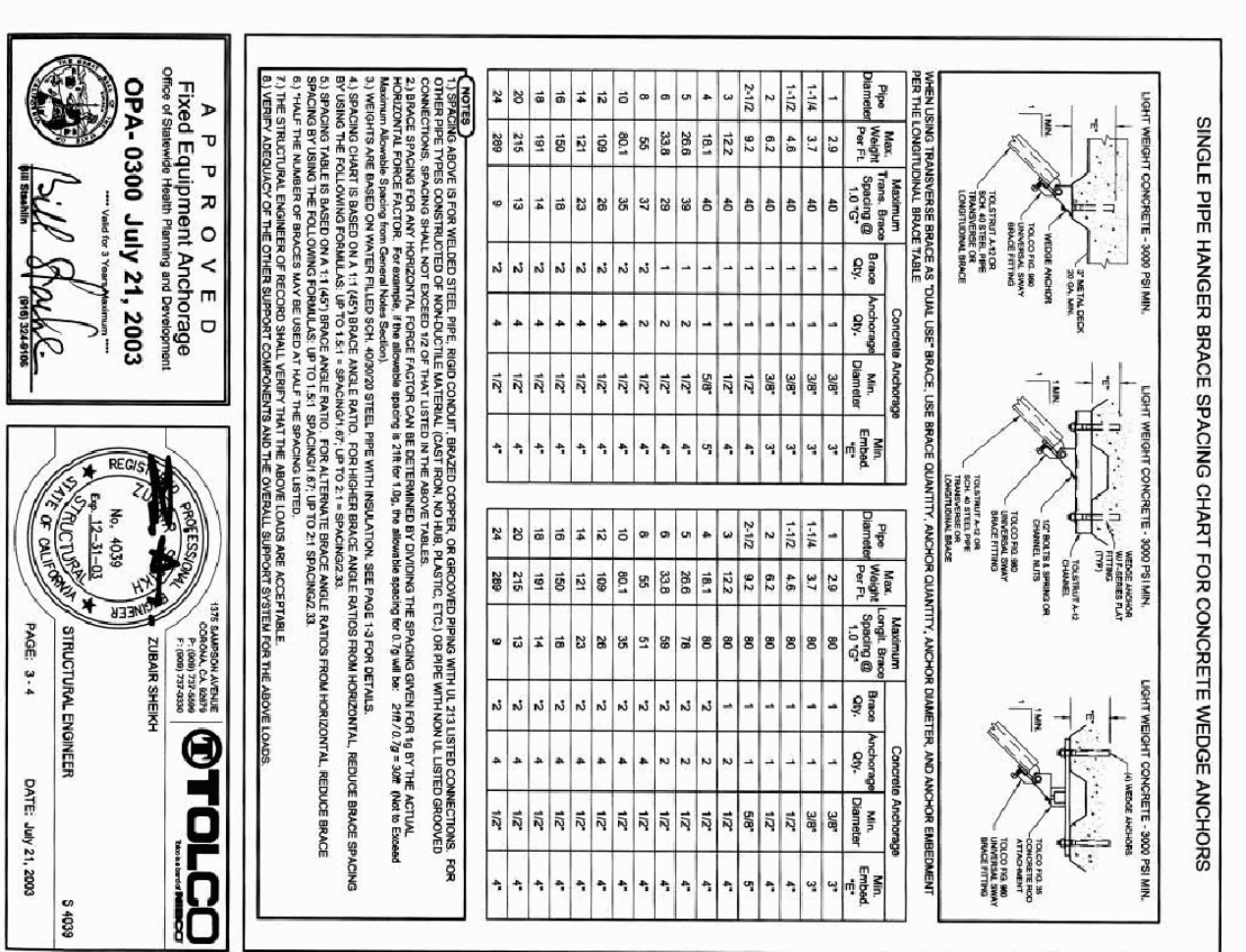
APPROVED
Fixed Equipment Anchorage
OPA-0300 July 21, 2003
DATE: July 21, 2003
SCALE: 1/4" = 1'-0"
DRAWN: J. W. McCLENNAN
CHECKED: J. W. McCLENNAN
DESIGNED: J. W. McCLENNAN



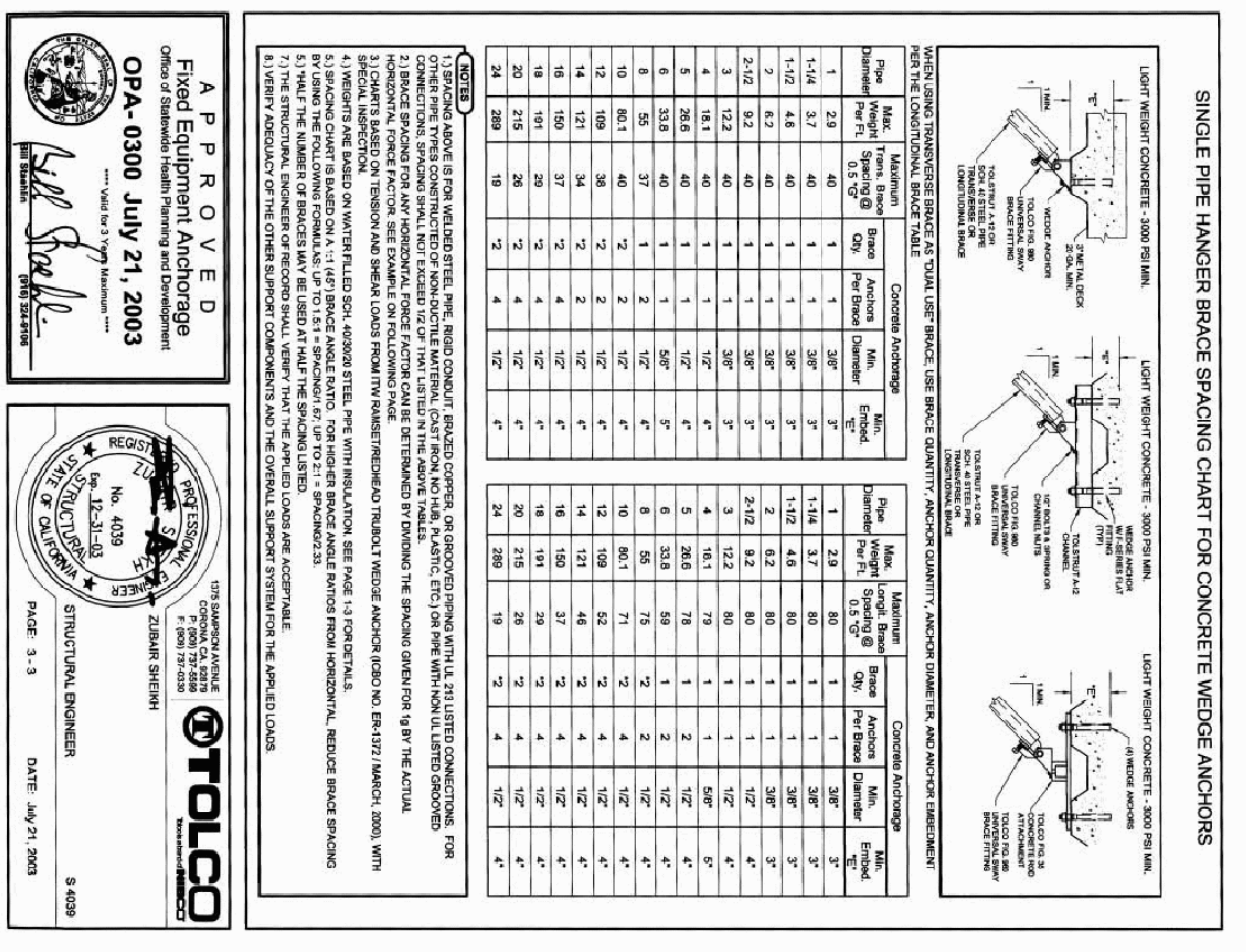
APPROVED
Fixed Equipment Anchorage
OPA-0300 July 21, 2003
DATE: July 21, 2003
SCALE: 1/4" = 1'-0"
DRAWN: J. W. McCLENNAN
CHECKED: J. W. McCLENNAN
DESIGNED: J. W. McCLENNAN



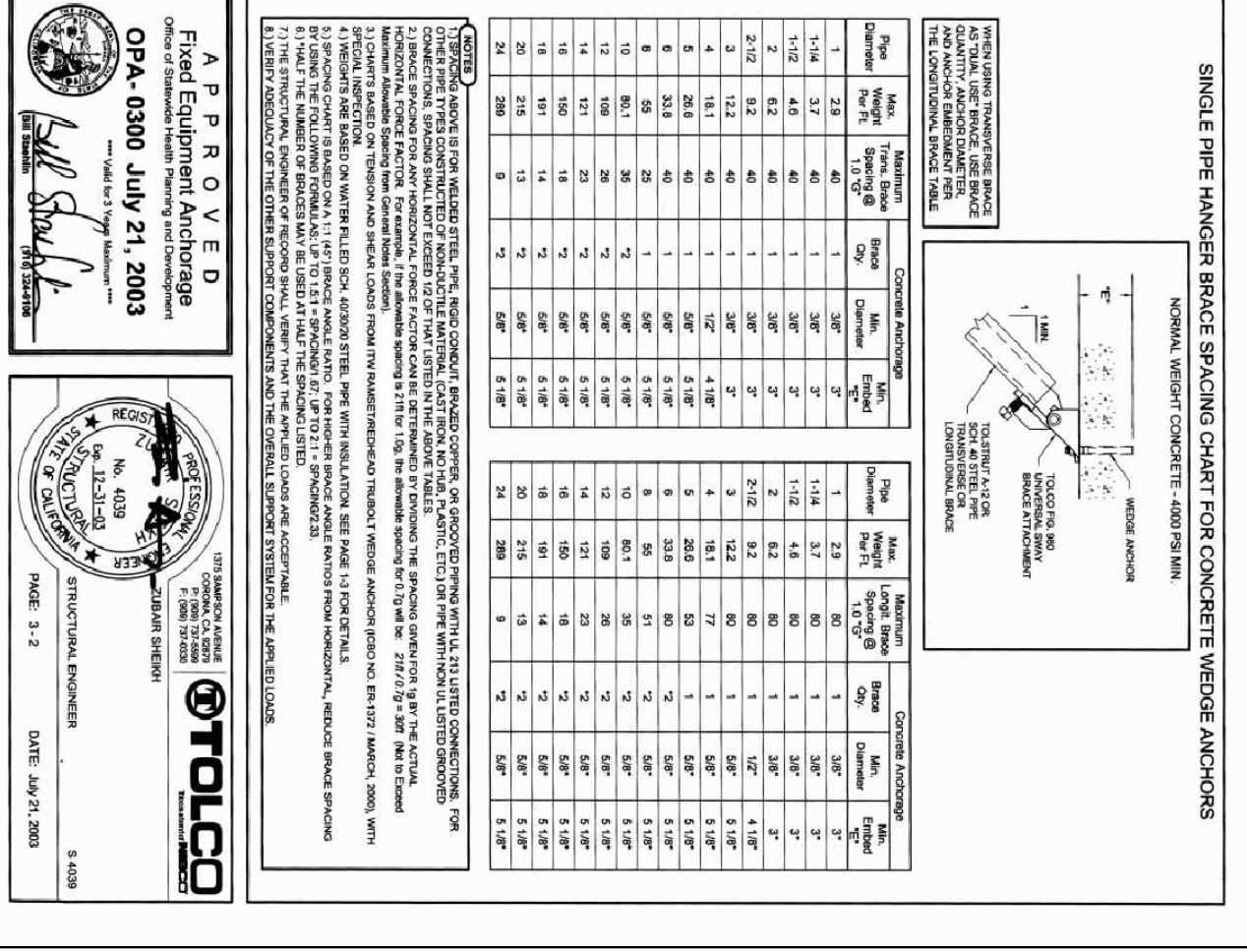
APPROVED
Fixed Equipment Anchorage
OPA-0300 July 21, 2003
DATE: July 21, 2003
SCALE: 1/4" = 1'-0"
DRAWN: J. W. McCLENNAN
CHECKED: J. W. McCLENNAN
DESIGNED: J. W. McCLENNAN



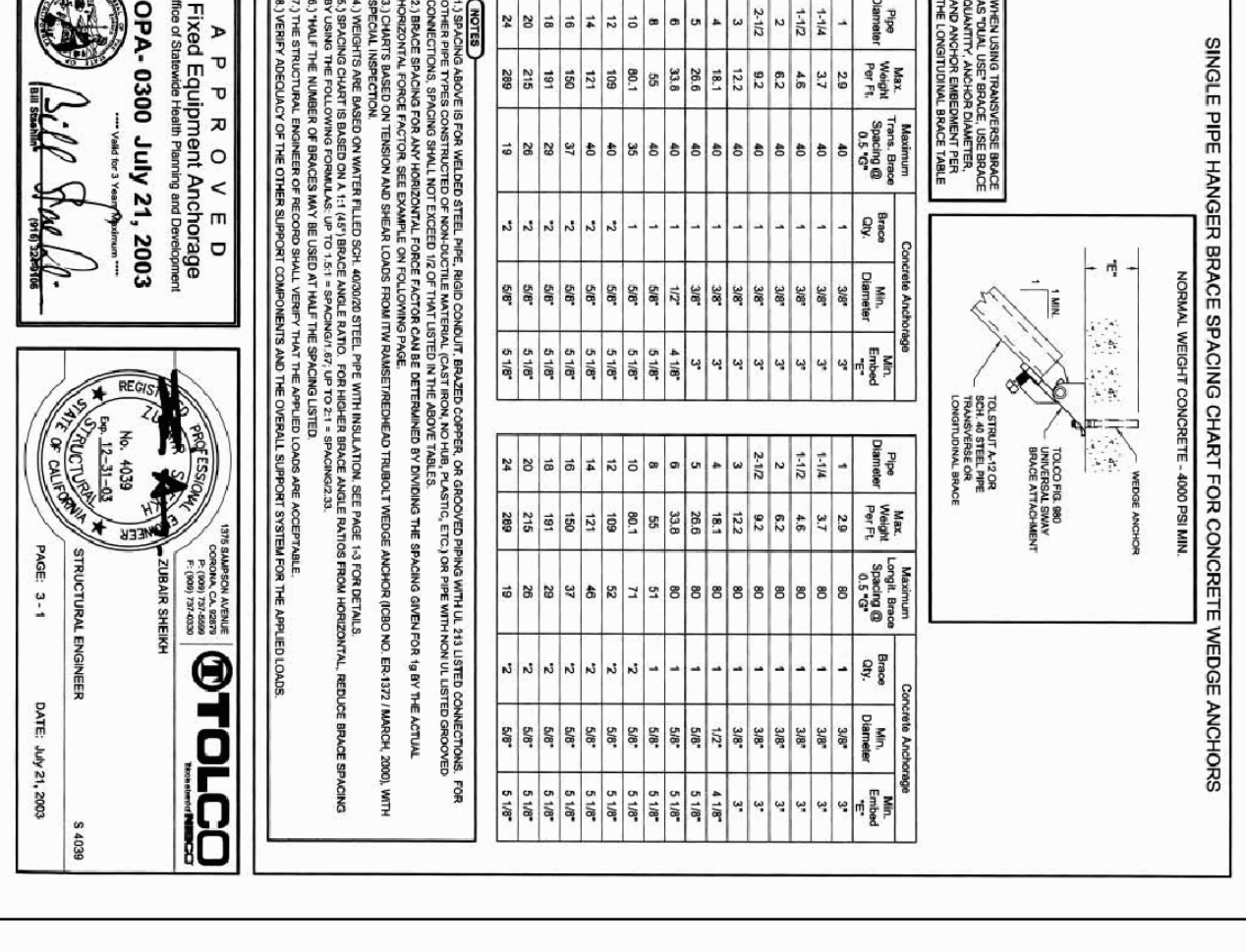
APPROVED
Fixed Equipment Anchorage
OPA-0300 July 21, 2003
DATE: July 21, 2003
SCALE: 1/4" = 1'-0"
DRAWN: J. W. McCLENNAN
CHECKED: J. W. McCLENNAN
DESIGNED: J. W. McCLENNAN



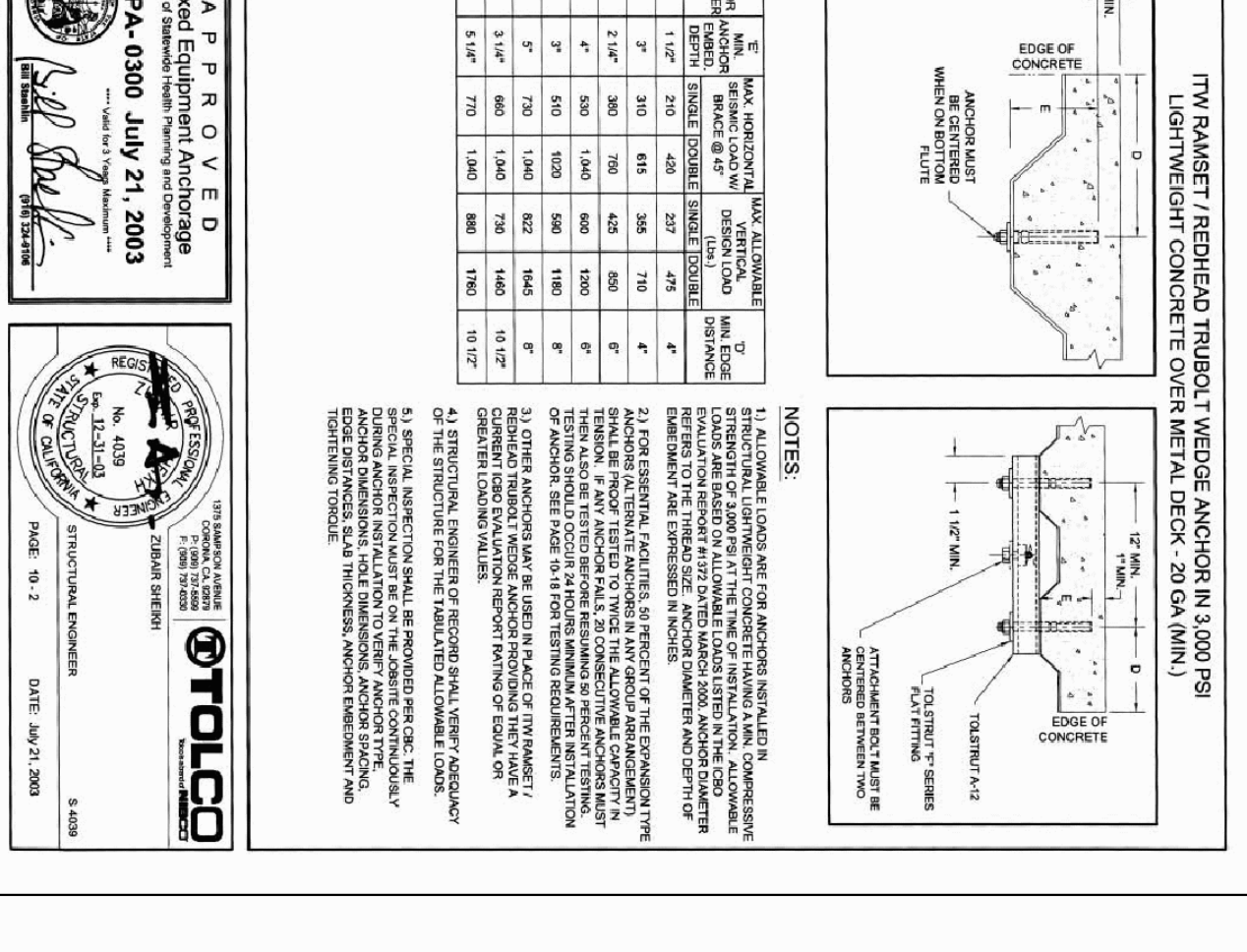
APPROVED
Fixed Equipment Anchorage
OPA-0300 July 21, 2003
DATE: July 21, 2003
SCALE: 1/4" = 1'-0"
DRAWN: J. W. McCLENNAN
CHECKED: J. W. McCLENNAN
DESIGNED: J. W. McCLENNAN



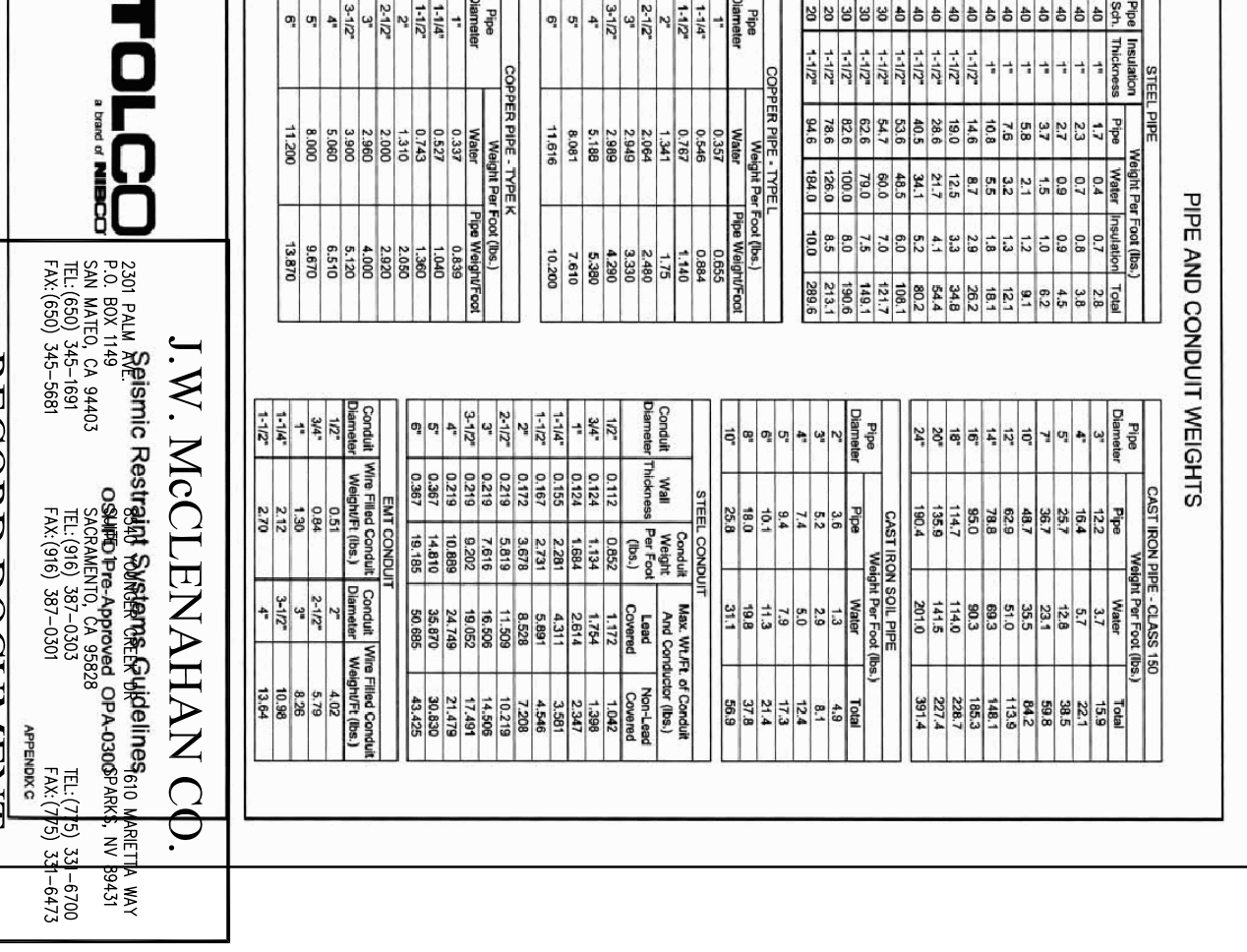
APPROVED
Fixed Equipment Anchorage
OPA-0300 July 21, 2003
DATE: July 21, 2003
SCALE: 1/4" = 1'-0"
DRAWN: J. W. McCLENNAN
CHECKED: J. W. McCLENNAN
DESIGNED: J. W. McCLENNAN



APPROVED
Fixed Equipment Anchorage
OPA-0300 July 21, 2003
DATE: July 21, 2003
SCALE: 1/4" = 1'-0"
DRAWN: J. W. McCLENNAN
CHECKED: J. W. McCLENNAN
DESIGNED: J. W. McCLENNAN



APPROVED
Fixed Equipment Anchorage
OPA-0300 July 21, 2003
DATE: July 21, 2003
SCALE: 1/4" = 1'-0"
DRAWN: J. W. McCLENNAN
CHECKED: J. W. McCLENNAN
DESIGNED: J. W. McCLENNAN



APPROVED
Fixed Equipment Anchorage
OPA-0300 July 21, 2003
DATE: July 21, 2003
SCALE: 1/4" = 1'-0"
DRAWN: J. W. McCLENNAN
CHECKED: J. W. McCLENNAN
DESIGNED: J. W. McCLENNAN

McCarthy Building Companies, Inc.
343 Serrano Ave., Suite 148, Redwood City, CA 94061
P 415 397-5151
F 415 397-5999

REGISTERED PROFESSIONAL ENGINEER
No. W28982
Exp. 6/30/10
OFFICE: 01-110095
FILE NUMBER: 41-C1

J.W. McCLENNAN CO.
200 PALM AVE
SAN LUIS OBISPO, CA 94040
TEL (805) 345-5881
FAX (805) 345-5881

College of San Mateo Building 10N
San Mateo, CA
Developed for San Mateo County Community College District

J.W. McCLENNAN CO.
200 PALM AVE
SAN LUIS OBISPO, CA 94040
TEL (805) 345-5881
FAX (805) 345-5881

RECORD DOCUMENT
DATE: October 15, 2010

Plumbing Details
P9.01

Revision	Description	Date
08	100% Design Development	08/09/08
09	95% Construction Documents	08/19/08
10	90% Construction Documents	08/28/08
11	85% Construction Documents	09/02/08
12	80% Construction Documents	09/02/08
13	75% Construction Documents	09/02/08
14	70% Construction Documents	09/02/08
15	65% Construction Documents	09/02/08
16	60% Construction Documents	09/02/08
17	55% Construction Documents	09/02/08
18	50% Construction Documents	09/02/08
19	45% Construction Documents	09/02/08
20	40% Construction Documents	09/02/08
21	35% Construction Documents	09/02/08
22	30% Construction Documents	09/02/08
23	25% Construction Documents	09/02/08
24	20% Construction Documents	09/02/08
25	15% Construction Documents	09/02/08
26	10% Construction Documents	09/02/08
27	5% Construction Documents	09/02/08
28	0% Construction Documents	09/02/08

JOE NO. 2708227
DRAWN BY: MARY BOON
CHECKED BY: SCJ
SCALE: NRC

